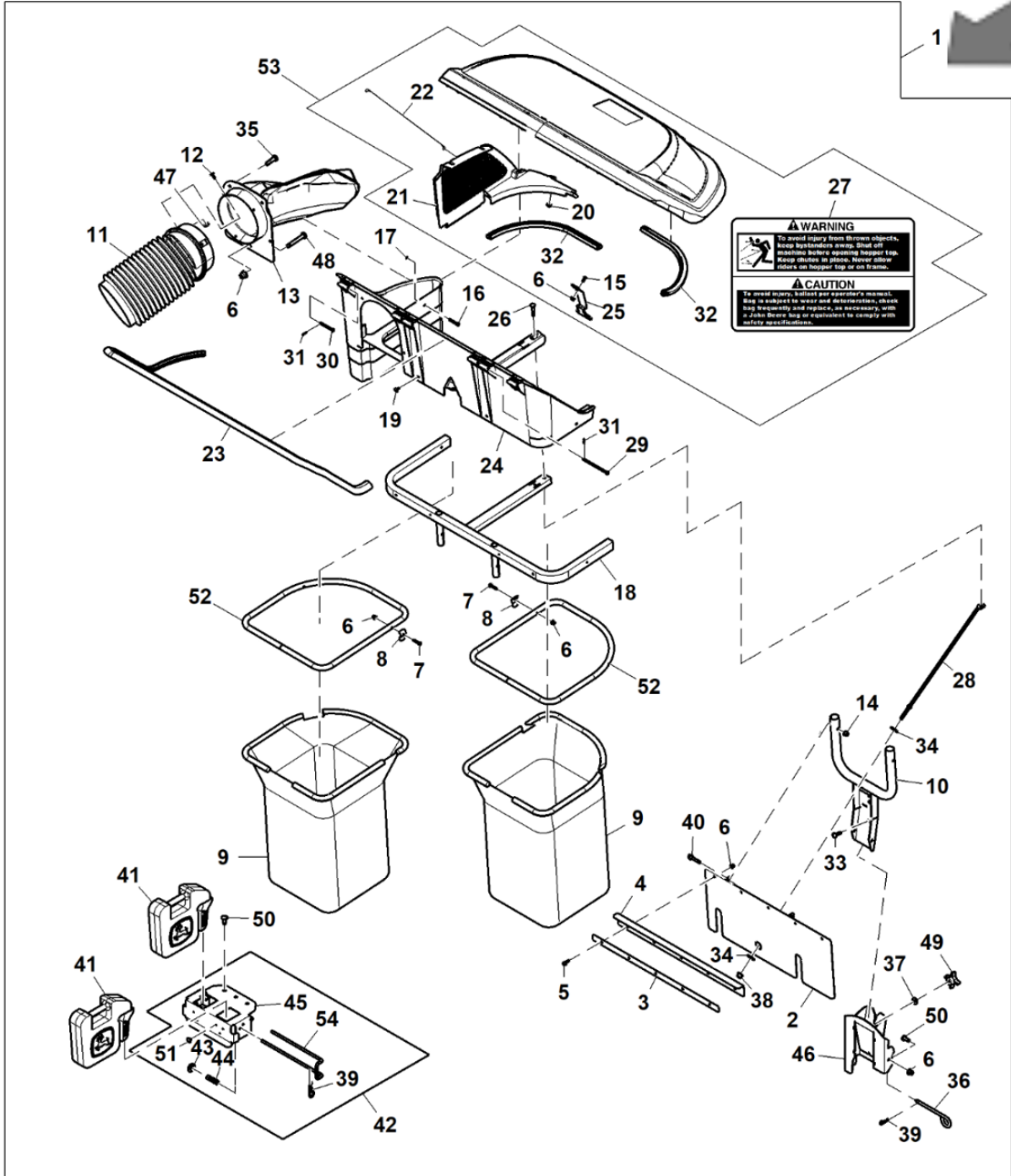


Z515E - ZTRAK

PC13913

Material Collection System, 2 - Bag, Attachment (For Canada and USA) - ST1012418

Mar 26 2024



BUC11059C

Z515E - ZTRAK

PC13913

Material Collection System, 2 - Bag, Attachment (For Canada and USA) - ST1012418

Mar 26 2024

KEY	PART NO.	PART NAME	QTY	REMARKS
1	BUC11059	Material Collection System Bag Attachment Hopper	1	ALSO ORDER BUC10851
2	M159966	Shield	1	
3	M159969	Strap	1	
4	AM138798	Frame	1	
5	19M7862	Hexagonal Head Flanged Screw, M6 X 20	5	M6 X 20
6	14M7397	Hexagonal Lock Nut, M6	14	M6
7	21M7248	Cylindrical Head Screw, M6 X 30	2	M6 X 30
8	M142497	Bolt-On Single-Half Clip	2	
9	AM140319	Bushel Bagger Bag	2	
10	GY22445	Material Collection System Frame	1	
11	M123412	Corrugated Hose	1	
12	M139714	Rivet	3	
13	M155809	Chute	1	
14	14M7396	Hexagonal Lock Nut, M8	3	M8
15	21M7292	Cylindrical Head Screw, M6 X 16	2	M6 X 16
16	21M7405	Hexagonal Socket Head Screw, M6 X 40	1	M6 X 40
17	24H1287	Washer	1	9/32" X 5/8" X 0.065"

KEY	PART NO.	PART NAME	QTY	REMARKS
18	AM129832	Material Collection System Bagger Frame	1	
19	M68628	Dome Head Rivet	3	
20	M111717	Self Threading Nut, 7.925 mm (5/16")	3	
21	M120609	Grille	1	
22	M141513	Cable	1	
23	M141911	Material Collection System Isolator	1	
24	M142321	Hopper Housing	1	
25	M142410	Latch	1	
26	M142970	Round Head Square Neck Bolt, M8 X 45	1	
27	M151187	Label	1	Warning, Thrown Object
28	M142350	Single End Threaded Rod	1	
29	M121529	Pin Fastener	2	
30	M93527	Pin Fastener	2	
31	M112711	Spring Locking Pin	4	
32	UC12571	Compression Seal	2	
33	03M7186	Round Head Square Neck Bolt, M8 X 30	1	M8 X 30
34	24M7178	Round Hole Washer	2	10.500 X 30 X 2.500 mm
35	19M7077	Hexagonal Head Screw, M6 X 20	3	M6 X 20
36	M145234	Pin Fastener	1	
37	24M7298	Round Hole Washer	1	8.400 X 25 X 2 mm
38	14M7465	Hexagonal Lock Nut, M10	9	M10
39	J16931	Spring Locking Pin	2	

KEY	PART NO.	PART NAME	QTY	REMARKS
39	A-HPC10	COTTER PIN ASSORTMENT KIT	2	
40	19M7799	Hexagonal Head Flanged Screw, M8 X 45	2	M8 X 45
41	UC13263	Suitcase Weight, 42 lb (19 kg)	2	42 lb
42	AUC15749	Front Ballast Bracket	1	Front Ballast
43	24M7036	Round Hole Washer	1	9 X 16 X 1.600 mm
44	H22802	Compression Spring	1	
45	UC22840	Bracket	1	Front Weight
46	AUC17496	Bracket	1	Hopper Receiver
47	24H1283	Round Hole Washer	3	7/32" X 1/2" X 0.049"
48	19M7320	Hexagonal Head Screw, M6 X 40	1	M6 X 40
49	M155801	Chute Knob	1	
50	03M7191	Round Head Square Neck Bolt	8	M10 X 25
51	M111583	Retainer Plug	6	
52	AM125269	Bagger Frame Kit	2	INCLUDES 14M7397, 21M7248 AND M142497
53	AUC17993	Material Collection System Hopper Kit	1	Hopper Top SUB FOR AM121573
54	AUC16134	Pin Fastener	1	