

DESCRIPTION :

• **WALL-MOUNT FAUCET 1/2" FPT CONNECTION**

OPERATION :

- Single Handle

FLOW :

- Flow is limited to 2.2 GPM (8.3 LPM) at 60 PSI

CARTRIDGE :

- Compression cartridge

STANDARDS & CERTIFICATIONS :

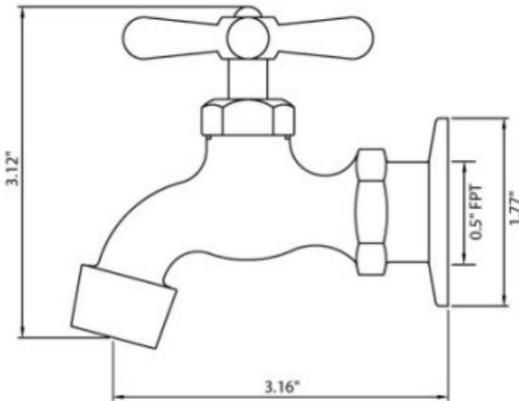
- ASME A112.18.1/CSA B-125.1 and all applicable requirements referenced therein
- cUPC, NSF 61-9 and Lead Free Certified by IAPMO
- Contains no more than 0.25% weighted average lead content
- NSF/ANSI 372 Compliant



WALL-MOUNT FAUCET 1/2" FPT CONNECTION
3210-160-CH-B-Z – Chrome

The following certification files can be found on www.iapmo.org under model **3210-160-CH-B-Z**

- cUPC – File 3605
- Lead Free – File 5942
- NSF61 – File N-6772



WARRANTY :

- Lifetime limited warranty against leaks, drips and finish defects to the original consumer purchaser

Unit: INCH

Homewerks product specifications in U.S. customary units and metric are approximate and are provided for reference only. For precise measurements, please contact Homewerks Technical service. Homewerks reserve the right to change or modify product design, construction, specifications or materials without prior notice and without incurring any obligation to make such changes and modifications on Homewerks products previously or subsequently sold.