



ICE MACHINE

SAFETY INFORMATION3

USING THE ICE MACHINE

Packaging5

Controls5

Features6

Starting the Ice Machine6

INSTALLATION INSTRUCTIONS

Grounding the Ice Machine.....7

Before You Begin.....7

Location and Preparation.....7

Advance Planning9

Dimensions10

Door Swing11

Door Panel.....12

Handle Reversing Instructions.....14

Plumbing14

Placement of the Ice Machine15

CARE AND CLEANING16

TROUBLESHOOTING TIPS.....19

LIMITED WARRANTY 20

ACCESSORIES21

CONSUMER SUPPORT 24

**OWNER'S MANUAL
AND INSTALLATION
INSTRUCTIONS**

UNC15

**ENGLISH/FRANÇAIS/
ESPAÑOL**

Write the model and serial numbers here:

Model # _____

Serial # _____

Find these numbers on a label on the top inner case liner of the unit toward the front.

THANK YOU FOR MAKING GE APPLIANCES A PART OF YOUR HOME.

Whether you grew up with GE Appliances, or this is your first, we're happy to have you in the family.

We take pride in the craftsmanship, innovation and design that goes into every GE Appliances product, and we think you will too. Among other things, registration of your appliance ensures that we can deliver important product information and warranty details when you need them.

Register your GE appliance now online. Helpful websites and phone numbers are available in the Consumer Support section of this Owner's Manual. You may also mail in the pre-printed registration card included in the packing material.



GE APPLIANCES

IMPORTANT SAFETY INFORMATION

READ ALL INSTRUCTIONS BEFORE USING THE APPLIANCE

⚠ WARNING To reduce the risk of fire, explosion, electric shock, or injury when using your ice machine follow these basic safety precautions:

- This ice machine must be properly installed and located in accordance with the Installation Instructions before it is used.
- Unplug the appliance before making repairs, replacing a light bulb, or cleaning.
NOTE: Power to the appliance cannot be disconnected by any setting on the control panel.
NOTE: Repairs must be performed by a qualified service professional.
- Replace all parts and panels before operating.
- Do not store or use gasoline or other flammable vapors and liquids in the vicinity of this or any other appliance.
- Because of potential safety hazards under certain conditions, we strongly recommend against the use of an extension cord. However, if you must use an extension cord, it is absolutely necessary that it be a UL-listed (in the United States) or a CSA certified (in Canada), 3-wire grounding type appliance extension cord having a grounding type plug and outlet and that the electrical rating of the cord be 15 amperes (minimum) and 120 volts.
- To prevent suffocation and entrapment hazards to children, remove the door from any appliance before disposing of it or discontinuing its use.
- Do not allow children to climb, stand or hang on the door handle of the appliance. They could seriously injure themselves.
- Ice machine scale remover contains acids. Acids can cause burns. If concentrated cleaner comes in contact with skin, flush with water. If swallowed, do NOT induce vomiting. Drink large amounts of water or milk. Call Physician immediately. Keep out of the reach of children.

⚠ CAUTION To reduce the risk of injury when using your appliance, follow these basic safety precautions.

- Keep fingers out of the “pinch point” areas; clearances between the doors and between the doors and cabinet are necessarily small. Be careful closing doors when children are in the area.
- Avoid contact with the moving parts of the ejector mechanism, or with the heating element that releases the cubes. Do not place fingers or hands on the automatic ice making mechanism while the ice machine is plugged in.

INSTALLATION

⚠ WARNING  **EXPLOSION HAZARD**

Keep flammable materials and vapors, such as gasoline, away from appliance. Failure to do so can result in fire, explosion, or death.

READ AND SAVE THESE INSTRUCTIONS

IMPORTANT SAFETY INFORMATION

READ ALL INSTRUCTIONS BEFORE USING THE APPLIANCE

OUTDOOR USE NOTICE

KEEP FROM FREEZING: Severe damage will occur to the unit if left in or operated in temperatures beyond the limits listed in this manual. That damage is NOT covered by warranty.

KEEP DRY: Do not locate in low lying areas where puddles will accumulate

PROVIDE SHADE: Heat gain from the sun will reduce the unit's ability to make and store ice, and ultraviolet radiation from the sun can potentially damage the unit's plastic components.

WATER SUPPLY: Avoid a long run of hose or tubing exposed to the sun. Plastic water supply tubing should be rated for potable water and include UV protection. Copper tubing is recommended.

BACK FLOW PREVENTION: The unit includes back flow prevention, no additional check valve is required.

DRAINAGE: DO NOT drain into swimming pool or onto grounds.

CONNECTING ELECTRICITY

WARNING **ELECTRICAL SHOCK HAZARD**

Plug into a grounded 3-prong outlet

Do not remove the ground prong

Do not use an adapter

Failure to follow these instructions can result in death, fire, or electrical shock.

Do not, under any circumstances, cut or remove the third (ground) prong from the power cord. For personal safety, this appliance must be properly grounded.

The power cord of this appliance is equipped with a 3-prong (grounding) plug which mates with a standard 3-prong (grounding) wall outlet to minimize the possibility of electric shock hazard from this appliance.

Have the wall outlet and circuit checked by a qualified electrician to make sure the outlet is properly grounded.

Where a standard 2-prong wall outlet is encountered, it is your personal responsibility and obligation to have it replaced with a properly grounded 3-prong wall outlet.

The ice maker should always be plugged into its own 115 volt, 60 Hz, 15 amp circuit. This provides the best

performance and also prevents overloading house wiring circuits which could cause a fire hazard from overheated wires.

Never unplug your ice maker by pulling on the power cord. Always grip plug firmly and pull straight out from the outlet.

Repair or replace immediately all power cords that have become frayed or otherwise damaged. Do not use a cord that shows cracks or abrasion damage along its length or at either end.

When moving the ice maker, be careful not to roll over or damage the power cord.

PROPER DISPOSAL OF YOUR OLD APPLIANCE

WARNING **SUFFOCATION AND CHILD ENTRAPMENT HAZARD**

Remove the door from the appliance prior to disposal. Failure to do so can result in child entrapment which can lead to death or brain damage.

IMPORTANT: Child entrapment and suffocation are not problems of the past. Junked or abandoned appliances are still dangerous even if they will sit for "just a few days." If you are getting rid of your old appliance, please follow the instructions below to help prevent accidents.

Before You Throw Away Your Old Appliance:

- Take off the doors.

- Leave the internal components in place so that children may not easily climb inside.

Refrigerants

All refrigeration products contain refrigerants, which under federal law must be removed prior to product disposal. If you are getting rid of an old refrigeration product, check with the company handling the disposal about what to do.

READ AND SAVE THESE INSTRUCTIONS

Packaging

Remove Packaging

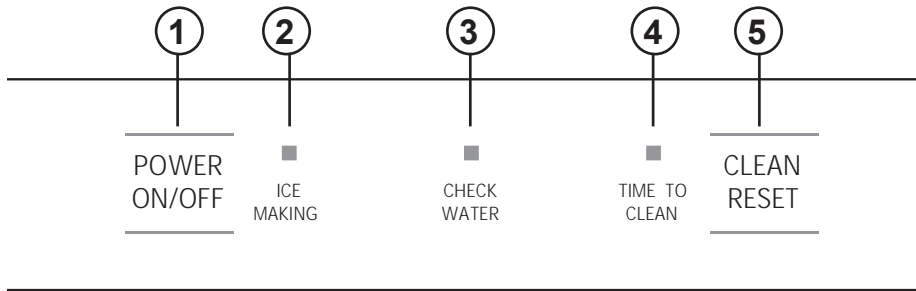
IMPORTANT: Do not remove any permanent instruction labels inside your ice machine or the Tech Sheet that is fastened behind the lower access panel.

- Remove tape and any labels from your ice maker before using (except the model and serial number label).

To remove any remaining tape or glue, rub the area briskly with your thumb. Tape or glue residue can also be easily removed by rubbing a small amount of liquid dish soap over the adhesive with your fingers. Wipe with warm water and dry.

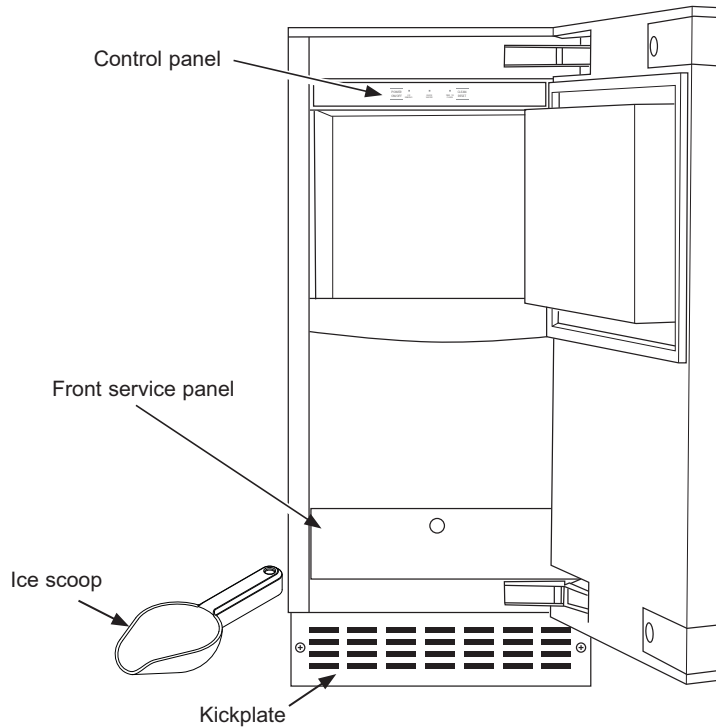
- Do not use sharp instruments, rubbing alcohol, flammable fluids or abrasive cleaners to remove tape or glue. These products can damage the surface of your ice maker. For more information, see Important Safety Instructions.

Controls



- 1. POWER ON/OFF** - Press to turn the ice machine on or off.
- 2. ICE MAKING** - Glows white when the unit is ON.
- 3. CHECK WATER** - Glows red when there is not water supplied to the machine.
- 4. TIME TO CLEAN** - Glows yellow when it's time to clean the machine. The light will switch ON after 6 months of use. It will remain on until the ice making system is cleaned using the process in the Care and Cleaning section.
- 5. CLEAN RESET** - Pressed with Power button for 5 seconds to start the cleaning process (see Care and Cleaning).

Features

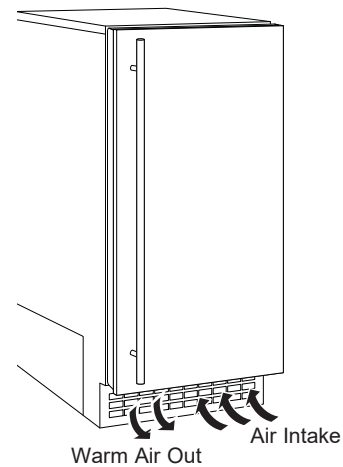


Starting the ice machine

This machine takes in room temperature air at the lower right front and forces warm air out the lower left front. Restricting the airflow or operating the machine in a hot or cold environment will adversely affect the ability of the ice machine to make ice.

When the door is opened, the control panel, ice making area and ice storage bin are visible. The scoop is located in a holder along the right side wall.

This is a gravity drain model that must have a building drain connection below the level of the drain tube at the back of the cabinet. A pump can be installed, which can force drain water up a maximum of 10 feet, allowing it to be located where a gravity drain isn't available. See **Accessories** on page 21 for more information on the drain pump.



Initial Start Up

1. Turn on the water supply.
2. Switch on the electrical power.
3. Push and release the ON/OFF switch to start the machine. The ICE MAKING light next to the ON/OFF switch will glow white.

It will take about 10 minutes for the ice machine to begin dropping nugget ice into the storage bin. It is normal for that ice to melt and continue to melt but at a slower rate as the bin cools. It will take about 6-7 hours to fill up the ice storage bin. The storage bin holds about 20 lbs of ice when full.

Discard the first bin full of ice.

Installation Instructions

ICE MACHINE

Questions? Call 800.GE.CARES (800.432.2737) or visit our Website at: GEAppliances.com
 In Canada, call 1.800.561.3344 or visit our Website at: GEAppliances.ca

GROUNDING THE ICE MACHINE

⚠ WARNING  **Electrical Shock Hazard.**

Failure to follow these instructions can result in death, fire, or electrical shock.

The power cord of this appliance is equipped with a 3-prong (grounding) plug which mates with a standard 3-prong (grounding) wall outlet to minimize the possibility of electric shock hazard from this appliance. Have the wall outlet and circuit checked by a qualified electrician to make sure the outlet is properly grounded.

Where a standard 2-prong wall outlet is encountered, it is your personal responsibility and obligation to have it replaced with a properly grounded 3-prong wall outlet.

DO NOT, UNDER ANY CIRCUMSTANCES, CUT OR REMOVE THE THIRD (GROUND) PRONG FROM THE POWER CORD.

DO NOT USE AN ADAPTER PLUG TO CONNECT THE APPLIANCE TO A 2-PRONG OUTLET.

DO NOT USE AN EXTENSION CORD WITH THIS APPLIANCE.

BEFORE YOU BEGIN

Read these instructions completely and carefully.

- **IMPORTANT** — Observe all governing codes and ordinances. Save these instructions for local inspector's use.
- **Note to Installer** – Be sure to leave these instructions with the Consumer.
- **Note to Consumer** – Keep these instructions for future reference.
- **Skill level** – Installation of this appliance requires basic mechanical skills.
- **Completion time** – Installation can vary
 Water Line Installation 30 minutes
- Proper installation is the responsibility of the installer.
- Product failure due to improper installation is not covered under the Warranty.

ICE MACHINE LOCATION AND PREPARATION

This ice machine is designed to be used indoors, in a controlled environment or outdoors within certain limits.

It is made up of two major systems: the ice making system and the ice storage system. The ice making system is a continuous flow that makes ice when the ice level becomes low and stops when it is full.

The ice storage system is an insulated chest with a drain at the bottom for melting ice. It is not refrigerated, insuring that the bin contains fresh ice.

During ice making, nugget ice will drop into the bin at an irregular rate; sometimes there will be little ice falling while other times a group of nuggets will fall.

IMPORTANT: Never keep anything in the ice storage bin that is not ice. Objects like wine or beer bottles are not only unsanitary, but the labels can slip off and plug up the drain.

IMPORTANT: Never allow the machine to operate without regular cleaning. The machine will last longer if it is kept clean. Regular cleaning should happen at least once per year, and preferably twice. Some water conditions will dictate even more frequent cleaning of the ice making section, and some carpets or pets will dictate more frequent cleaning of the condenser.

Specifications

The ice machine will operate adequately within the limits, but functions best in temperatures between 60°F and 80°F.

- Minimum air temperature: 50°F (10°C)
- Maximum air temperature: 100°F (38°C)
- Minimum water temperature: 40°F (4.5°C)
- Maximum water temperature: 90°F. (32°C)
- Minimum water pressure: 20 psi (1.4 bar)
- Maximum water pressure: 80 psi (5.5 bar)

Electrical voltage limits:

See the Rating Plate inside the ice machine.

Installation Instructions

ICE MACHINE LOCATION AND PREPARATION (Cont.)

Utility and Operational Requirements

- This ice machine must be connected to a potable water supply.
- The water supply must have a conductivity of at least 10 microSiemens/cm.

The water to this ice machine must be potable, or fit for human consumption. During ice making some minerals will stick to the ice making components. The higher the mineral content, the more mineral build up will occur. **Water filters** are a partial help, as they will remove the suspended solids, but water treatment is needed for the dissolved solids, which are part of the water and cannot be filtered out. We recommend using a GE Appliances Water Filter on your water inlet line such as GE Appliances Model Number GXRLQ. Please go to **GEAppliances.com** to review the installation instructions and determine which filter will suit your application. In Canada visit **GEAppliances.ca**.

This machine can be supplied with Reverse Osmosis water, but the water conductivity must be no less than 10 microSiemens/cm. A reverse osmosis system should include post treatment or blending to satisfy the R.O. water's potential aggressiveness.

Deionized water is not recommended and could damage the machine.

Because water softeners exchange one mineral for another, softened water may not improve water conditions when used with ice machines.

- Minimum water pressure: 20 psi
- Maximum water pressure: 80 psi
- Minimum water temperature: 40°F
- Maximum water temperature: 90°F.

This ice machine is designed to operate in a wide range of air temperatures with a minimum air temperature of 50°F and a maximum air temperature of 100°F.

Although the machine will function within the listed ranges, it works best at water temperatures between 50°F and 60°F and air temperatures between 60°F and 80°F.

NOTE: Ice making capacity goes down as the environmental temperatures go up, and will be severely reduced at temperatures over 90°F.

Operating a unit outside of the limits can cause problems that are not covered by the warranty and, if extreme, cause damage to the unit.

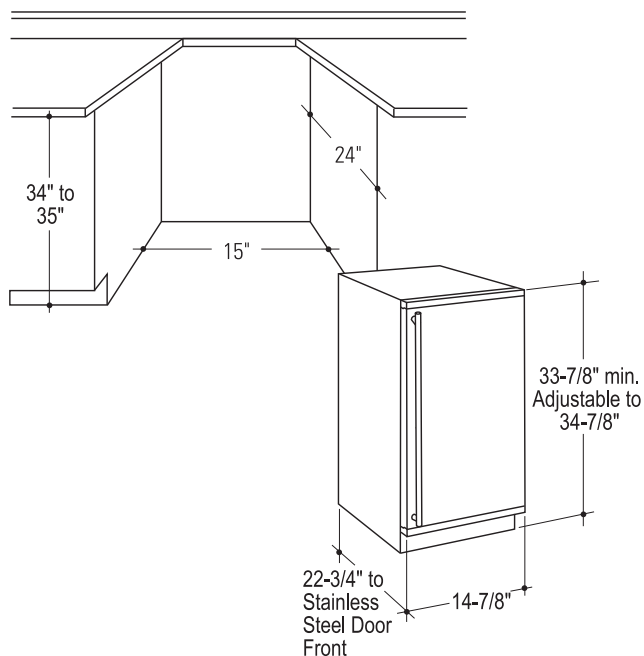
This machine can be built into a cabinet. It is an air cooled refrigeration system. Air flows in and out of it through the grill at the bottom front. The grille must not be blocked by any covering door, or other obstruction.

Installation Instructions

ADVANCE PLANNING

CAUTION Due to excessive weight, **TWO PEOPLE ARE REQUIRED TO MOVE AND INSTALL THIS** ice maker. Failure to do so can result in back or other injury.

Cutout & Product Dimensions



Installation Notes

A drain pump is available for this ice machine. The drain pump kit number is UPK3 and is available at GEApplianceparts.com or by calling 877-959-8688. In Canada visit GEAppliances.ca or call 800.561.3344.

Built-In Installation: If a finished floor is to be installed in the area after the ice machine has been built in, shims the expected thickness of the floor should be installed under the unit to keep the machine level with the planned floor level.

NOTE: The water connection is at the back and adds a few inches to the cabinet depth.

Installation on a slab: You will need to install a drain pump to the appliance and pump the water to the point of drainage. See **Accessories**. Pumps will pump 1 story (10 feet) high.

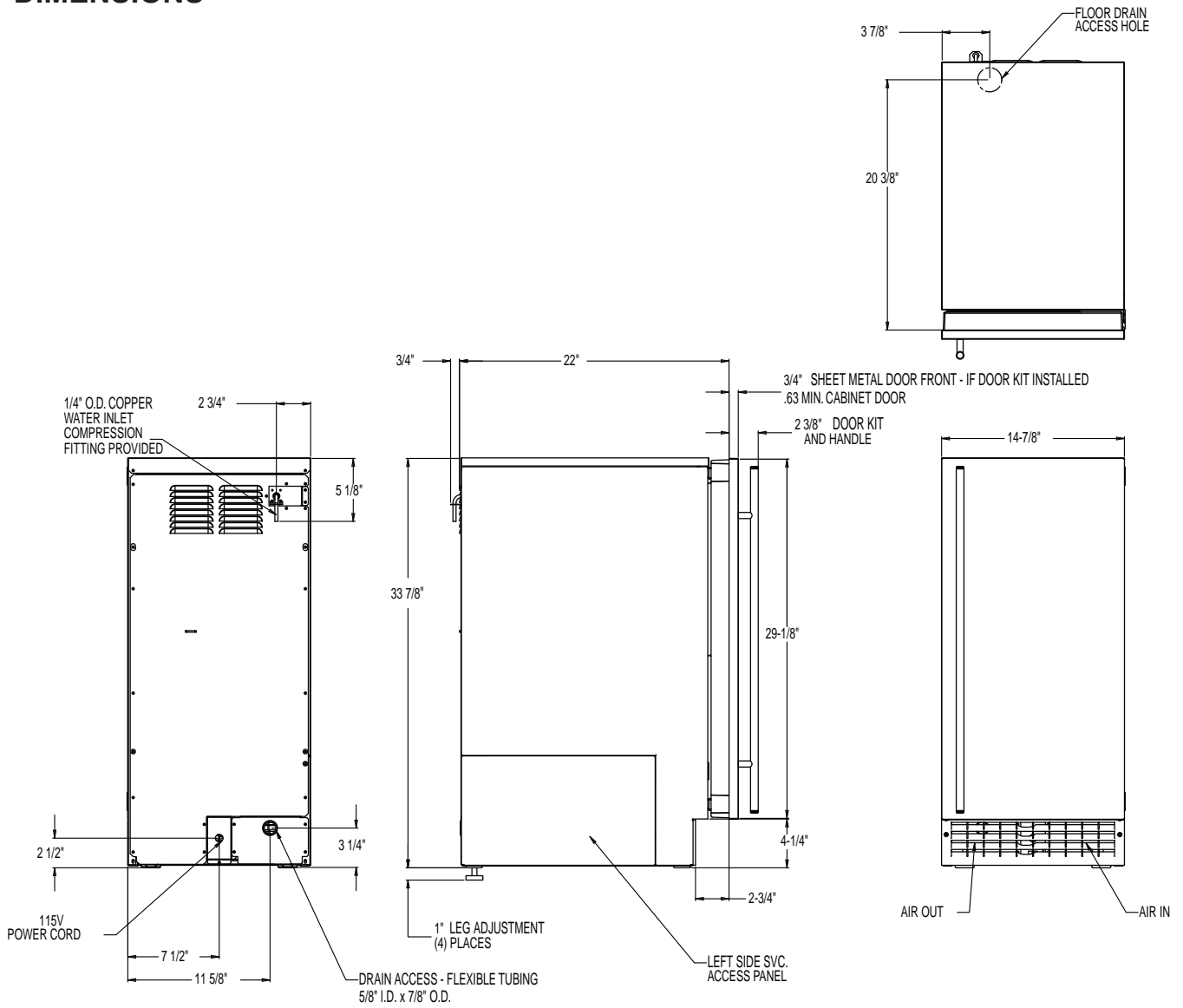
Installation over a crawl space or basement: Either a gravity drain or a pump may be used. For pump, see **Accessories**. If there is not enough room behind the machine for a drain/waste receptacle, the drain will have to be below the floor.

NOTE: When installed in a corner, the door swing may be limited due to handle contact with the wall or cabinet face.

A water supply is required. Water supplies vary in the degree of mineral content. High mineral content water will require more frequent maintenance. Water filtration may improve the taste of the ice as well as cut down on some of the mineral build up.

Installation Instructions

DIMENSIONS



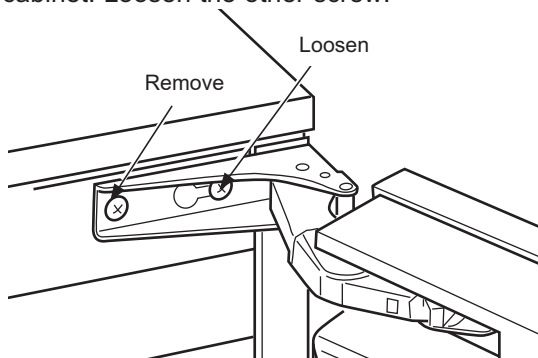
Installation Instructions

DOOR SWING

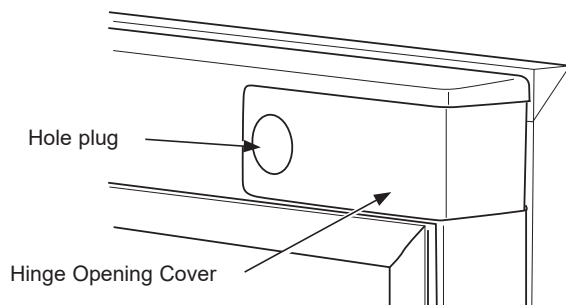
Moving the hinges allows the door to open from either the left or the right side. Change the swing **BEFORE** attaching the door panel.

To change:

1. Open the door. Remove 4 stainless steel screws opposite the hinge side on the front of the cabinet.
2. Remove innermost screw holding each hinge to the cabinet. Loosen the other screw.



3. Slide the door to the side so the keyhole on the hinge clears the screw and remove from cabinet.
4. Remove the screws that were loosened and save. Install the 4 stainless steel screws that were removed in Step 1 into the open holes on the cabinet left by removing the hinge.
5. Remove the hole plug and hinge opening covers from door (if applicable).



6. Remove hole plugs or screws from unit's new hinge locations (if applicable). Set aside.
7. Install the 2 hinge screws removed after the door was removed from the cabinet into the outermost holes on the new hinge side of the cabinet. Screw these in only about half way.
8. Remove the upper hinge from the door and move it to the door's opposite side, bottom location. Secure using the original screws.

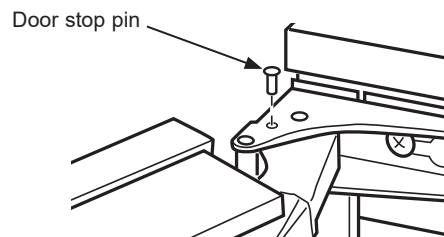
NOTE: If door panel is attached, it must be removed to access hinge screws and to reverse the handle position.

9. Remove the original lower door hinge and move it to the opposite side, upper location. Secure using original screws.

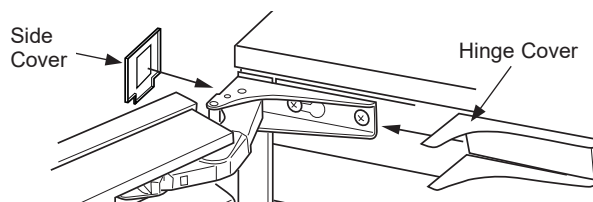
IMPORTANT: If installing a stainless steel door panel or custom panel, skip to **INSTALLING THE DOOR PANEL** section.

10. Install pocket covers and hole plugs onto door.
11. Place the keyhole slot on the hinge over the outermost screw, top and bottom, and slide the door onto the cabinet.
12. Install the door to the cabinet using the original screws. Tighten all 4 screws.

IMPORTANT: In some situations the door can open too far and damage adjacent cabinets. To prevent this, insert a Stop Pin (in hardware packet) into the provided hole in the top and bottom hinges. Drive the pin into the hole until the head is flush with the hinge.



13. Slide the hinge covers from the hardware packet over each hinge.



14. Attach the side covers from the hardware packet over the hinge by peeling off the covering over the adhesive and placing it over the side of the hinge.
- NOTE:** If the unit is being built-in a screw can be used to secure the unit to the cabinet in place of installing the side covers.

Installation Instructions

INSTALLING THE DOOR PANEL

The ice machine is supplied without a conventional door covering, allowing the attachment of a door panel or a custom panel.

NOTE: If the door swing is to be changed, it needs to be done **BEFORE** attaching the door panel.

Door Panel

Finished door panels with handles are available from GE Appliances for attachment to the ice machine. See **Accessories** on page 21.

A custom panel of wood or other material not exceeding 15 lbs can be used and must follow these guidelines:

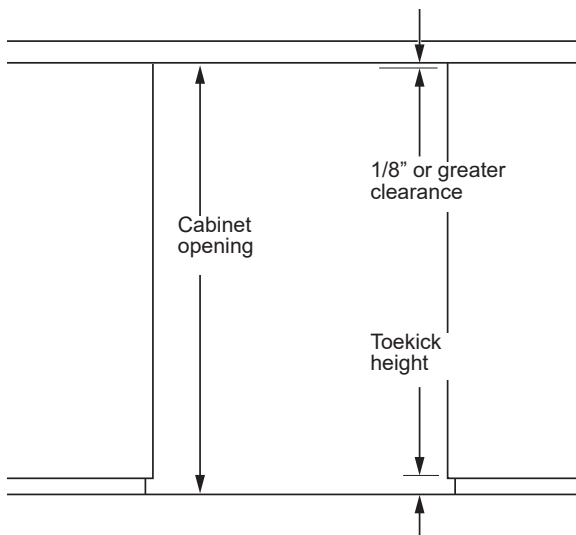
width: 14 7/8"

height: between 29 5/8" and 30 5/8"

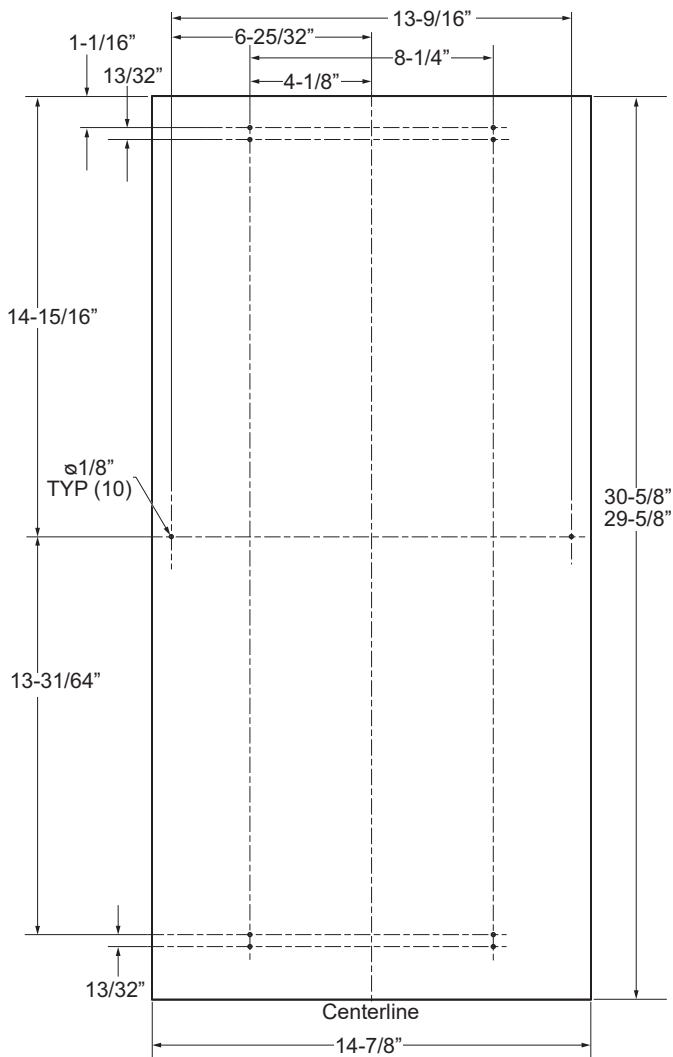
thickness: 5/8" to 3/4"

For Custom Panel:

1. Measure overall height of the cabinet opening where the ice machine will be installed (floor to bottom of the countertop edge).
2. Determine desired toekick height (bottom of door to the floor). This can be equal to the adjacent cabinet's toekick height.
3. The clearance between the countertop and the top of the ice machine should be at least 1/8".
4. Subtract the toekick height and the clearance from the opening height to determine the height of your custom door panel.



5. Cut the panel to the specified width and height.
6. Determine the top of the panel. Measure and mark hole locations.
7. Drill pilot holes on the back of the panel at your markings. Use a drill stop to prevent drilling through the panel.



Installation Instructions

INSTALLING THE DOOR PANEL (Cont)

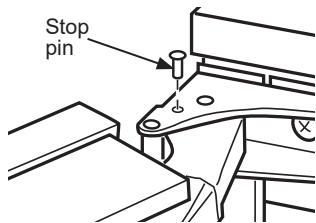
If the door swing is going to be changed please complete prior to installing the door panel. See page 11. Depending on the door kit being installed, the door handle may need to be flipped if the door swing is being changed. Please see instructions on page 14 on how to flip the door handle.

Attaching the Door Panel

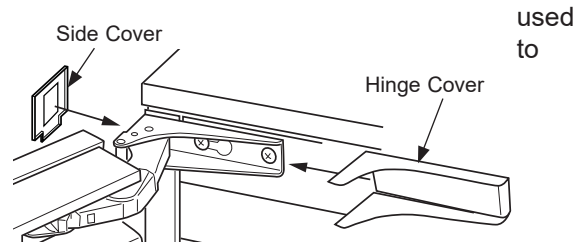
The panel will be held on by 6 sheet metal screws and 2 machine screws.

1. Remove the gasket from the inside of the door and retain for later use.
2. Remove any plastic covering the stainless steel panel.
3. Place the door panel onto the outside of the door and secure it with 2 machine screws in the left center and right center of the door.
4. Fasten the panel to the door using the 6 sheet metal screws. In the hinge opening area opposite the hinge side, use the outermost screw holes only.
5. Place the covers over the hinge opening areas and secure each cover to the door using a sheet metal screw and washer.
6. Insert hole plug over screw installed in step 5.
7. Return the gasket to its original position.
8. Attach the door to the cabinet using the original screws.

IMPORTANT: In some situations the door can open too far and damage adjacent cabinets. To prevent this, insert a Stop Pin (in hardware packet) into the provided hole in the top and bottom hinges. Drive the pin into the hole until the head is flush with the hinge.

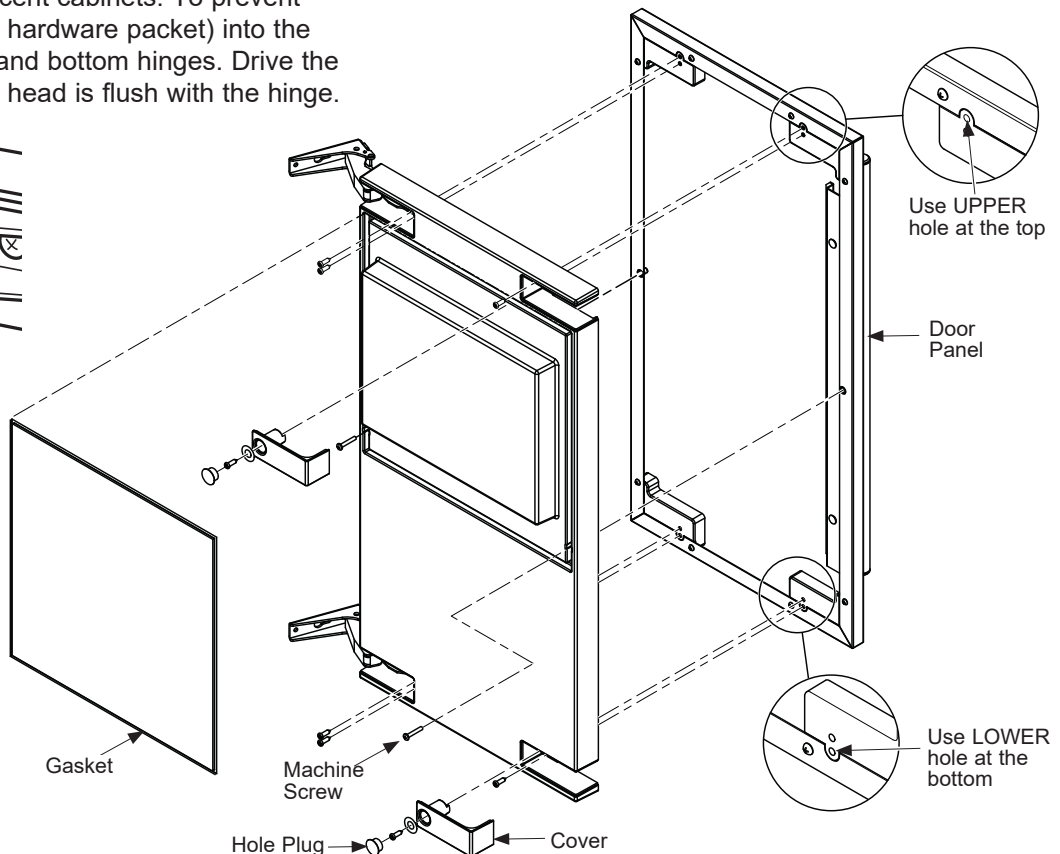


9. Slide the hinge covers from the hardware packet over each hinge.
10. Attach the side covers from the hardware packet over the hinge by peeling off the covering over the adhesive and placing it over the side of the hinge. Note: If the unit is being built-in a screw can be



secure the unit to the cabinet in place of installing the side covers.

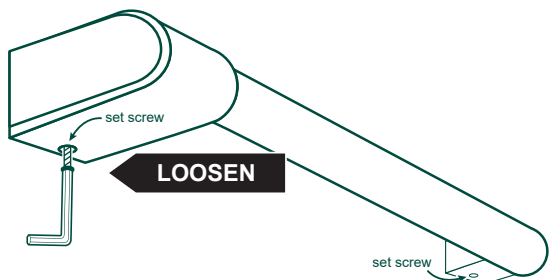
11. Return the kickplate and front service panel to their original positions and attach to the cabinet using the original screws.



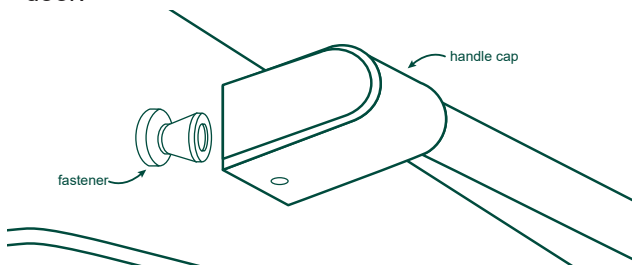
Installation Instructions

HANDLE REVERSING INSTRUCTIONS

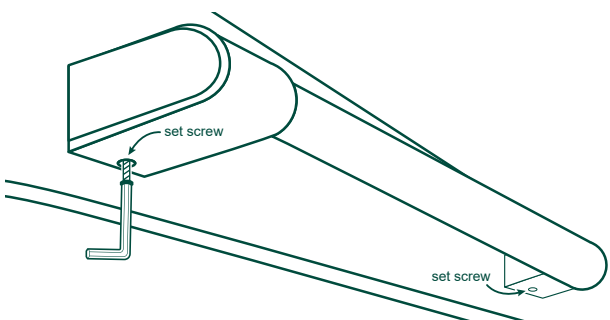
1. Remove the allen wrench from the panel installation screw kit envelope
2. Loosen the set screw using the allen wrench. Remove the handle and flip it around so the logo is facing the other way.



3. Place the handle caps over the fasteners of the door. Take care to support the handle so it doesn't fall and scratch the appliance finish. Make sure both handle caps are resting on the face of the door.



4. Lock one end of the handle into position by tightening the set screw in the handle cap with the allen wrench provided. **DO NOT** over-tighten.



5. Keep supporting the handle as you lock the other end of the handle into position by tightening the set screw in the handle cap. **DO NOT** over-tighten.

PLUMBING - DRAIN PUMP

Drain Installation

A drain pump is available for this ice machine. The drain pump kit number is UPK3 and is available at GEApplianceparts.com or by calling GE Appliances at 877-959-8688. In Canada visit GEAppliances.ca or call 800.661.1616.

PLUMBING - GRAVITY DRAIN

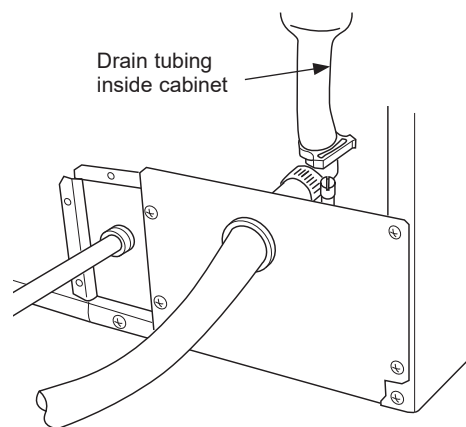
Drain Installation

▲ NOTICE

Restrictions in the drain system to the machine will cause water to back up into the ice storage bin and melt the ice. Gravity drain tubing must be vented, have no kinks, and slope to the building drain. Air gaps are typically required by local codes.

1. Place the ice machine in front of the installation opening. Adjust leveling legs to the approximate height. There are Leg Caps in the hardware packet that can snap onto the leveling legs if they are going to show when the unit is level.
2. Insert drain tube through the routing hole in the back panel.
3. Remove the upper back panel if needed for access to drain connection.

NOTE: If the drain opening has been located in the floor under the base pan according to the pre install specifications, follow steps 4 through 7 to drain the unit through the base. If not, proceed to step 7.



Installation Instructions

PLUMBING - GRAVITY DRAIN (cont)

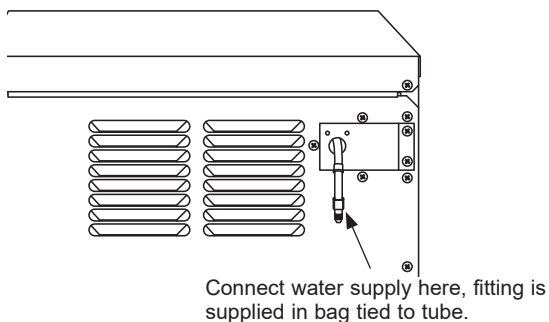
4. Remove the clamp and barbed elbow and take off the plastic cover in the base pan below the drain hose.
5. Connect a straight 5/8" barbed connector to the drain hose, securing with the supplied hose clamp.
6. Cut an 8" piece of 5/8" OD x 7/8" OD tygon (clear plastic) tubing. Slide one end of the tube onto the clamp, Leave the other end of the tube lying on the floor of the base pan until the unit is positioned over the floor drain.
7. Route the drain tube. Either a) insert the drain tube through the base pan into the floor drain or b)) route the drain tube through the hole in the lower back panel and connect to barbed elbow and secure with clamp.
8. Reinstall any panels removed to connect the drain.

Water Supply

The recommended water supply tubing is 1/4" OD copper. Stainless steel flex or reinforced PCV tube may also be used. Install an easily accessible shut-off valve between the supply and the unit. This shut-off valve should not be installed behind the unit.

The water connection is at the back of the cabinet. Connect using a compression fitting, one is supplied tied to the water inlet tube at the back of the cabinet.

When built in: Coil enough tubing behind the machine so it can be pushed into the cavity without kinking the tubing.



PLACEMENT OF THE ICE MACHINE

The ice machine is supplied with a power cord. Do not remove the grounding pin from the cord's plug. Do not use extension cords. Follow all codes. Connect the machine so its own 115v, 15amp circuit.

1. If the electrical outlet for the ice maker is behind the unit, plug it into the unit.
2. Position the unit in the installation opening.
3. Turn on the water supply. Make sure that the icemaker is plugged in and the power is on.
4. Slide the unit into the installation opening, paying special attention to water supply and drain connections. Do not kink!
5. Pour a couple of quarts of water into the ice storage bin; on drain pump equipped machines the drain pump should start and water should pump out. Check for leaks.
6. Replace the service access panel.
7. Level the unit as needed. There are Leg Caps in the hardware packet that can snap onto the leveling legs if they are going to show when the unit is level.

Care And Cleaning

Cleaning the Outside

The stainless steel door and door handle can be cleaned with a commercially available stainless steel cleaner. Cleaners with oxalic acid such as Bar Keepers Friend Soft Cleanser™ will remove surface rust, tarnish and small blemishes.

Use only a liquid cleanser free of grit and rub in the direction of the brush lines with a damp soft sponge. Do not use appliance wax or polish on the stainless steel.

Cleaning the Condenser

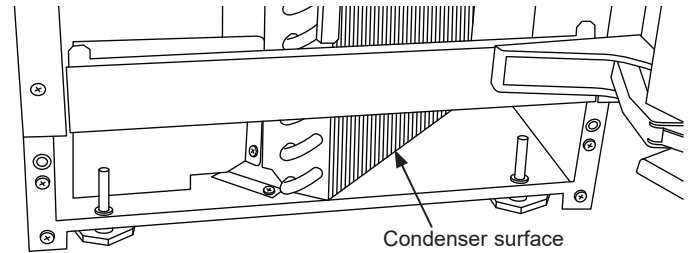
The condenser has fins and tubes that can become clogged with dirt and lint.

To clean:

1. Remove the kickplate and front service panel.
2. Locate the condenser surface.
3. Vacuum the surface to remove all dust and lint.

▲ NOTICE Do not dent the fins.

4. Return the kickplate and front service panel to their original positions. Fasten them to the cabinet using the original screws.



Removing Scale from the Ice Making System

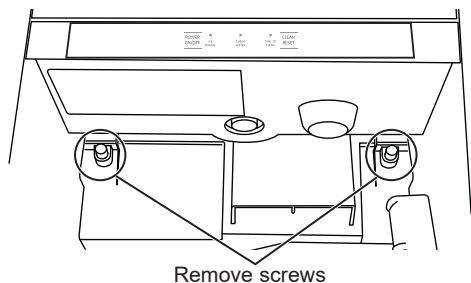
Cleaning the ice machine involves adding a solution of scale remover and water to the ice machine and continuing to add it as it makes ice. The scale remover must be diluted to the correct ratio. A squirt bottle will make adding the scale remover much easier when the unit is built in. If not built in, remove the top panel for reservoir access.

You should use rubber gloves when using the scale remover. To order scale remover, go to **GEApplianceParts.com** or call 877-959-8688. Order part number WX08X42872.

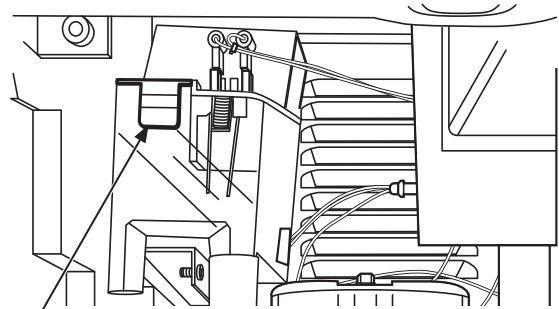
1. Scoop out and discard all of the ice.
2. Press and release the **ON/OFF** button.



3. Open door and locate screws at the upper back wall of the bin. Remove the 2 screws.

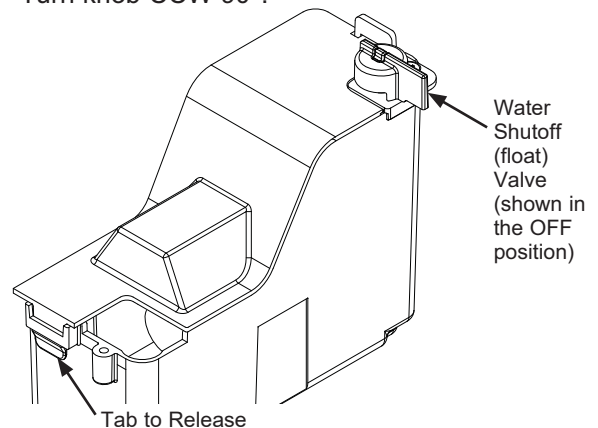


4. Remove the back panel of the bin by lowering it down past the scoop holder. The scoop holder will rotate to allow the panel to lower.



Reservoir cover release tab

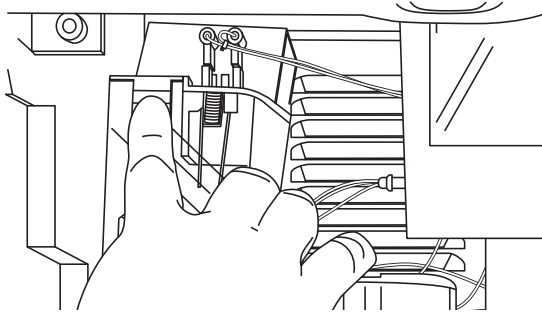
5. Water shutoff (float) valve is located at the back of the reservoir. The valve **MUST** be turned to the **OFF** position before the reservoir cover can be removed. Turn knob CCW 90°.



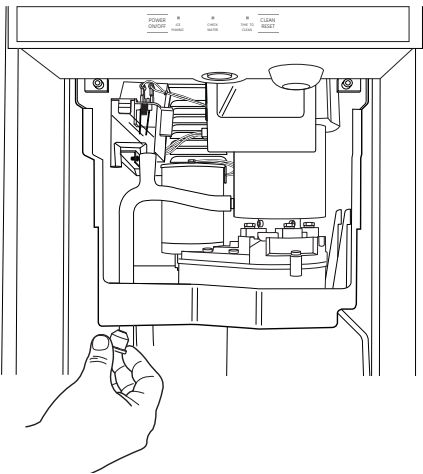
Care And Cleaning

Removing Scale from the Ice Making System (Cont.)

6. Push tab on front edge of reservoir cover and remove the cover. **NOTE:** Adjacent wires are low voltage and are not hazardous.



7. Locate the drain plug. Pull the drain plug out to drain the reservoir and evaporator. When draining is complete, return the plug to its original position.



8. Obtain pre-mixed scale remover solution or mix a solution of scale remover with water according to the directions. Fill a 16 oz squirt bottle with the diluted or pre-mixed scale remover.

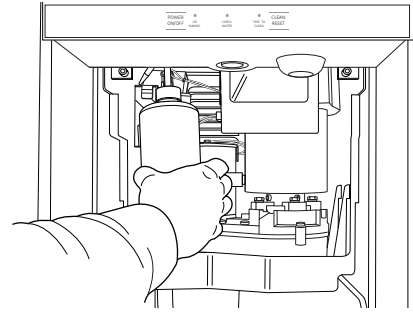
⚠ WARNING



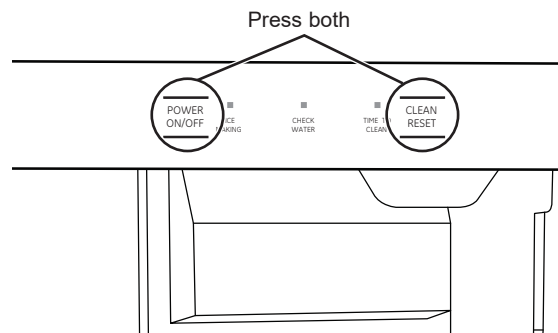
Ice machine scale remover contains acids. Acids can cause burns. If concentrated cleaner comes in contact with skin, flush with water. If swallowed, do NOT induce vomiting. Drink large amounts of water or milk. Call Physician immediately. Keep out of the reach of children.

NOTE: Take care not to spill any scale remover on nearby surfaces. Immediately wipe any spill with backing soda and water.

9. Fill the reservoir with the scale remover solution from the squirt bottle. Use about half (8 oz) of the solution.



10. Press and HOLD both the **CLEAN/RESET** and **ON/OFF** buttons for 5 seconds. The **TIME TO CLEAN** light will blink on and off.

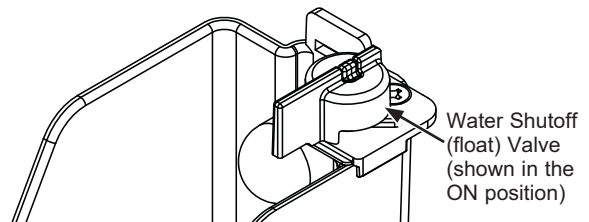


11. The auger motor will run for 10 minutes and then the compressor will start. Within 5-8 minutes the machine will start to make ice. The **TIME TO CLEAN** light will glow steady until the clean cycle is complete.

⚠ CAUTION Keep fingers away from moving parts.

After the ice making starts, continuously add scale remover solution to the reservoir to keep it about half full.

When all 16 oz of the solution is used, turn the water shutoff (float) valve knob CW 90° to the **ON** position.



After 40 minutes, the ice machine and all the control panel lights will shut off.

12. Pull the drain plug again to drain the system and then replace it.

Care And Cleaning

Removing Scale from the Ice Making System (Cont.)

13. Turn the Water Shut Off (Float) Valve knob to the Off position, replace the reservoir cover, and then turn the Water Shut Off (Float) Valve knob back to the On position.
 14. Replace the upper back wall of the bin using the original screws. Push in to snap bottom of back panel into place.
 15. Pour a gallon of hot (95°-115°F) water into the bin to flush out the drain and melt all ice that was made during the cleaning process. Be sure all ice is melted.
 16. Use any left over scale remover solution to scrub the scale off of the bin liner. If none is left over, use pre-mixed or mix 1 quart according to the directions.
 17. Rinse the liner with hot water.
 18. Sanitize the bin interior.
 19. Push and release the ON/OFF button to restart ice making.
- The ice scoop should be washed regularly and is dishwasher safe.
-

Other Maintenance

NOTE: It is normal for some lime scale to form on the gear reducer cover. Wipe up any loose scale.

Check the top bearing.

The top bearing is non-metallic and requires no lubrication. However, it should be checked for wear occasionally. The top of panel must be removed to access the bearing. The wear limit is 1/64". and can be checked with a pin gauge.

Winterizing

1. Clean the ice making system per the instructions on pages 7 and 8.
 2. Open the door and push the ON/OFF button to turn the ice machine off.
 3. Turn off the water supply.
 4. Remove the back wall of the ice storage bin.
 5. Remove the drain plug and drain the water reservoir return plug to its original position.
 6. Models with a drain pump installed should have about 1/2 gallon of RV antifreeze (propylene glycol) poured into the ice storage bin drain.
- NOTE:** Automotive antifreeze must NOT be used.
7. Turn off and unplug the machine.

Troubleshooting Tips... Before you call for service

Save time and money! Review the charts on the following pages first and you may not need to call for service.

Problem	Possible Causes	What to Do
Low capacity	Restricted drain or standing water in the bin	Clean the air cooled condenser fins.
		Clean the ice making system.
		Check the drain line for kinks
No ice	Switch is OFF	Press the ON/OFF button to turn the power on.
	Electric breaker has been tripped	Flip the electric breaker back on.
	Water supply is low	If the Check Water light is flashing Red, the water supply is low.
	Auger motor is not working or is overloaded - lights are flashing.	Reset by pressing ON/OFF button. If this doesn't reset the motor and the lights continue to flash, call for service.
<i>Time to Clean</i> light is on		Clean the ice making system following directions in the <i>Care and Cleaning</i> section.

Noise

The ice machine is designed for quiet operation but will make some noise during the ice making cycle.

GE Appliances Ice Machine Limited Warranty

GEAppliances.com

All warranty service is provided by our Factory Service Centers, or an authorized Customer Care® technician. To schedule service online, visit us at geappliances.com/service, or call GE Appliances at 800.GE.CARES (800.432.2737). Please have your serial number and your model number available when calling for service. In Canada, visit

GEAppliances.ca/en/support/service-request or call 800.561.3344

For the Period of:	GE Appliances Will Replace
One Year From the date of the original purchase	Any part of the ice machine which fails due to a defect in materials or workmanship. During the limited one-year warranty , GE Appliances will also provide, free of charge, all labor and related service to replace the defective part.
Five Years From the date of the original purchase	Any part of the sealed refrigeration system (the compressor, condenser, evaporator and all connecting tubing) which fails due to a defect in materials or workmanship. During the limited five-year sealed refrigerating system warranty , GE Appliances will also provide, free of charge , all labor and related service to replace the defective part in the sealed refrigerating system.

What GE Appliances Will Not Cover:

- Service trips to your home to teach you how to use the product.
- Damage caused after delivery.
- Improper installation, delivery or maintenance.
- Replacement of the light bulbs, if included.
- Failure of the product if it is abused, misused, or used for other than the intended purpose or used commercially.
- Damage to the product caused by accident, fire, floods or acts of God.
- Replacement of house fuses or resetting of circuit breakers.
- Incidental or consequential damage caused by possible defects with this appliance.
- Product not accessible to provide required service.

EXCLUSION OF IMPLIED WARRANTIES

Your sole and exclusive remedy is product repair as provided in this Limited Warranty. Any implied warranties, including the implied warranties of merchantability or fitness for a particular purpose, are limited to one year or the shortest period allowed by law.

For US Customers: This limited warranty is extended to the original purchaser and any succeeding owner for products purchased for home use within the USA. If the product is located in an area where service by a GE Appliances Authorized Servicer is not available, you may be responsible for a trip charge or you may be required to bring the product to an Authorized GE Appliances Service location for service. In Alaska, the limited warranty excludes the cost of shipping or service calls to your home.

Some states do not allow the exclusion or limitation of incidental or consequential damages. This limited warranty gives you specific legal rights, and you may also have other rights which vary from state to state. To know what your legal rights are, consult your local or state consumer affairs office or your state's Attorney General.

Warrantor: GE Appliances, a Haier company
Louisville, KY 40225

For Customers in Canada: This limited warranty is extended to the original purchaser and any succeeding owner for products purchased in Canada for home use within Canada. In-home warrant service will be provided in areas where it is available and deemed reasonable by Mabe to provide.

Warrantor Canada: MC Commercial, Inc., Burlington, Ontario, L7R 5B6

Staple your receipt here. Proof of the original purchase date is needed to obtain service under the warranty.

Accessories

Looking For Something More?

Finished stainless steel door panels with handles are available from GE Appliances for attachment to the ice machine. The panel kits are:

- ZIP80SS - Stainless steel door with Euro Style Handles
- PIP70SS - Stainless steel door with Profile Style Handles
- CIP75S1 - Stainless steel door with Café Style Handles
- CIP75D1 - Matte black with Café style handle
- CIP75W2 - Matte white with Café style handle

In addition we also offer the following Café handle kits:

- CXXN1H1PNBT - Black handle
- CXXN1H1PNZ - Bronze handle
- CXXN1H1PNCU - Copper handle

NOTE: These kits only work with the CIP family of door kits.

To order, go to GEApplianceParts.com or call 877-959-8688. In Canada visit GEAppliances.ca/en/products/parts-filter-accessories or call 800.661.1616.

Kickplate Extension: In some situations the leg levelers will be extended enough to become visible. A kit to extend the kickplate over the legs is available. That kit number is WR02X25708. To order, go to GEApplianceParts.com or call 877-959-8688. In Canada visit

GEAppliances.ca/en/products/parts-filter-accessories or call 800.661.1616.

Cabinet Stability: In some free standing installations it may be prudent to add an anti-tip bracket that secures the back of the cabinet to a wall. That kit number is WR01X25709. To order, go to GEApplianceParts.com or call 877-959-8688. In Canada visit

GEAppliances.ca/en/products/parts-filter-accessories or call 800.661.1616.

Drain Conversion: A gravity drain model can be converted to a drain pump model by installing a drain pump kit. The drain pump kit consists of a drain pump, wiring harness and associated tubing. The part number is UPK3. To order, go to GEApplianceParts.com or call 877-959-8688. In Canada visit

GEAppliances.ca/en/products/parts-filter-accessories or call 800.661.1616.

Consumer Support

GE Appliances Website

Have a question or need assistance with your appliance? Try the GE Appliances Website 24 hours a day, any day of the year! You can also shop for more great GE Appliances products and take advantage of all our on-line support services designed for your convenience. In the US: **GEAppliances.com** In Canada: **GEAppliances.ca**

Register Your Appliance

Register your new appliance on-line at your convenience! Timely product registration will allow for enhanced communication and prompt service under the terms of your warranty, should the need arise. You may also mail in the pre-printed registration card included in the packing material.

In the US: **GEAppliances.com/register**

In Canada: **Prodsupport.mabe.ca/crm/Products/ProductRegistration.aspx**

Schedule Service

Expert GE Appliances repair service is only one step away from your door. Get on-line and schedule your service at your convenience any day of the year. In the US: **GEAppliances.com/service** or call 800.432.2737 during normal business hours.

In Canada: **GEAppliances.ca/en/support/service-request** or call 800.561.3344

Extended Warranties

Purchase a GE Appliances extended warranty and learn about special discounts that are available while your warranty is still in effect. You can purchase it on-line anytime. GE Appliances Services will still be there after your warranty expires. In the US: **GEAppliances.com/extended-warranty** or call 800.626.2224 during normal business hours.

In Canada: **GEAppliances.ca/en/support/purchase-extended-warranty** or call 866.277.9842.

Parts and Accessories

Individuals qualified to service their own appliances can have parts or accessories sent directly to their homes (VISA, MasterCard and Discover cards are accepted). Order on-line today 24 hours every day.

In the US: **GEApplianceparts.com** or by phone at 877.959.8688 during normal business hours.

Instructions contained in this manual cover procedures to be performed by any user. Other servicing generally should be referred to qualified service personnel. Caution must be exercised, since improper servicing may cause unsafe operation.

Customers in Canada should consult the yellow pages for the nearest Mabe service center, visit our website at **GEAppliances.ca/en/products/parts-filters-accessories** or call 800.661.1616.

Contact Us

If you are not satisfied with the service you receive from GE Appliances, contact us on our Website with all the details including your phone number, or write to:

In the US: General Manager, Customer Relations | GE Appliances, Appliance Park | Louisville, KY 40225

GEAppliances.com/contact.

In Canada: Director, Consumer Relations, Mabe Canada Inc. | Suite 310, 1 Factory Lane | Moncton, N.B. E1C 9M3

GEAppliances.ca/en/contact-us



MACHINE À GLAÇONS

INFORMATION DE SÉCURITÉ ... 3

UTILISANT LA MACHINE À GLAÇONS

Déballage. 5

Commandes 5

Fonctions. 6

Démarrage de la machine à glaçons. 6

INSTALLATION INSTRUCTIONS

Mise à la terre de la machine à glaçons ... 7

Avant de commencer 7

Emplacement et préparation 7

Emplacement et préparation 9

Dimensions 10

L'ouverture de porte 11

Panneau de porte. 12

Instructions relatives à l'inversion de la poignée 14

Plomberie 14

Placez la machine à glaçons. 15

ENTRETIEN ET NETTOYAGE ... 16

CONSEILS DE DÉPANNAGE ... 19

GARANTIE LIMITÉE 20

ACCESSOIRES 21

SERVICE À LA CLIENTÈLE 22

MANUEL D'UTILISATION ET INSTRUCTIONS D'INSTALLATION

UNC15

Inscrivez les numéros de modèle et de série ici :

No modèle _____

No série _____

Ces numéros figurent sur une étiquette dans le haut de la doublure interne vers le devant de l'appareil.

NOUS VOUS REMERCIONS D'ACCUEILLIR GE APPLIANCES CHEZ VOUS

Que vous ayez grandi avec GE Appliances ou qu'il s'agisse de votre première acquisition, nous sommes heureux de vous accueillir dans notre famille.

Nous sommes fiers du savoir-faire, de l'innovation et de l'esthétique qui composent chaque appareil GE Appliances, et nous pensons que vous le serez aussi. Dans cette optique, nous vous rappelons que l'enregistrement de votre électroménager vous assure la communication de renseignements importants sur le produit et la garantie lorsque vous en avez besoin.

Enregistrez votre électroménager GE en ligne dès maintenant. Des sites Web et des numéros de téléphone utiles figurent dans la section Soutien au consommateur de ce manuel d'utilisation. Vous pouvez aussi poster la fiche de garantie pré-imprimée incluse dans l'emballage.



GE APPLIANCES

INSTRUCTIONS IMPORTANTES DE SÉCURITÉ

LISEZ TOUTES LES INSTRUCTIONS AVANT UTILISANT LA MACHINE À GLAÇONS

⚠ AVERTISSEMENT

Afin de réduire le risque d'incendie, d'explosion, de choc électrique ou de blessure lors de l'utilisation de votre machine à glaçons, observez ces mesures de sécurité suivantes :

- Ce machine à glaçons doit être correctement installé conformément aux Consignes d'Installation avant toute utilisation.
- Débranchez le appareil avant d'effectuer une réparation, de remplacer une ampoule ou de le nettoyer.
REMARQUE : L'alimentation du réfrigérateur ne peut être déconnectée par aucune des fonctions sur le panneau de commande.
REMARQUE : Les réparations doivent être effectuées par un professionnel qualifié.
- Remettez toutes les pièces et panneaux en place avant d'utiliser l'appareil.
- Ne stockez pas ou n'utilisez pas d'essence ou d'autres vapeurs et liquides inflammables à proximité de cet appareil ou de tout autre appareil électroménager.
- Nous déconseillons fortement l'utilisation d'une rallonge à cause des risques potentiels dans certaines conditions. Cependant, si l'utilisation d'un cordon prolongateur est nécessaire, ce dernier doit obligatoirement être homologué UL (aux USA) ou CSA (au Canada), à trois brins avec mise à la terre pour appareil électroménager et doit être équipé d'une fiche et d'une prise femelle avec terre. Les caractéristiques électriques du cordon prolongateur doivent être de 15 ampères (minimum) et de 120 volts.
- Afin de prévenir le risque d'asphyxie et d'enfermement des enfants, enlevez la porte de tout appareil avant de le mettre au rebut et d'en cesser l'utilisation.
- Ne laissez pas les enfants grimper, se tenir ou s'accrocher sur la poignée de porte de l'appareil. Ils pourraient se blesser gravement.
- Le produit antitartre pour machine à glaçons contient des acides qui peuvent causer des brûlures. En cas d'éclaboussement du produit concentré sur la peau, rincez à l'eau. En cas d'ingestion, ne provoquez PAS de vomissement. Faites boire de grandes quantités d'eau ou de lait. Appelez un médecin immédiatement. Gardez à l'écart des enfants.

⚠ ATTENTION

A fin de réduire le risque de blessure lors de l'utilisation de l'appareil, observez ces mesures de sécurité élémentaires.

- Gardez les doigts à l'écart des endroits où ils risquent d'être écrasés; les espaces entre les porte, et entre les porte et les placard sont toujours étroits. Soyez prudent lorsque vous fermez les porte en présence d'enfants.
- Évitez le contact avec les pièces mobiles du mécanisme d'éjection, ou de l'élément chauffant qui produit les cubes. Ne placez ni les doigts ni les mains sur le mécanisme automatique de production de glace lorsque la machine à glaçons est branchée.

INSTALLATION

⚠ AVERTISSEMENT



RISQUE D'EXPLOSION

Conservez les matériaux et vapeurs inflammables tels que l'essence à l'écart de votre appareil. Une explosion, un incendie voire la mort pourrait en résulter.

LIRE ET CONSERVER CES INSTRUCTIONS

INSTRUCTIONS IMPORTANTES DE SÉCURITÉ

LISEZ TOUTES LES INSTRUCTIONS AVANT UTILISANT LA MACHINE À GLAÇONS

AVIS CONCERNANT L'UTILISATION À L'EXTÉRIEUR

PROTÉGER DU GEL : Des dommages sévères à l'appareil surviendront s'il est soumis à des températures internes ou ambiantes qui excèdent les limites spécifiées dans ce manuel. Ce type de dommage ne sera PAS couvert par la garantie.

GARDER AU SEC : Ne placez pas l'appareil dans des dépressions où des flaques peuvent se former.

PROTÉGER DU SOLEIL : La chaleur des rayons du soleil réduit la capacité de l'appareil à produire et emmagasiner de la glace, et les radiations ultraviolettes du soleil peuvent endommager ses composants en plastique.

ALIMENTATION D'EAU : Évitez l'exposition au soleil de longues sections de tuyau. Les tuyaux d'eau en plastique doivent être conçus pour l'eau potable et comporter une protection contre les rayons ultraviolets. Nous recommandons l'usage de tuyaux en cuivre.

PRÉVENTION DES RETOURS D'EAU : L'appareil est doté d'un dispositif de prévention des retours d'eau, aucun clapet antiretour n'est requis.

VIDANGE : NE VIDANGEZ PAS l'eau de l'appareil dans une piscine ni sur le sol.

BRANCHEMENTS ÉLECTRIQUES

⚠ AVERTISSEMENT



RISQUE DE CHOC ÉLECTRIQUE

Branchez l'appareil dans une prise triple avec terre.

Ne retirez pas la broche de terre.

N'utilisez pas d'adaptateur.

Le non-respect de ces instructions peut entraîner des risques d'incendies, des chocs électriques ou la mort.

Ne coupez pas ou n'enlevez pas, sous aucun prétexte, la troisième broche de mise à la terre du cordon d'alimentation. Pour des raisons de sécurité, cet appareil doit être correctement mis à la terre.

Le cordon d'alimentation de cet appareil est équipé d'une fiche à trois broches (pour une mise à la terre) qui s'adapte à la prise de courant standard à 3 broches (pour une mise à la terre) pour minimiser les risques de chocs électriques par cet appareil.

Faites vérifier la prise murale et le circuit électrique par un électricien qualifié pour s'assurer que le système est correctement mis à la terre.

Dans le cas d'une prise biphasée, l'installateur a la responsabilité et l'obligation de la remplacer par une prise triphasée correctement mise à la terre. N'utilisez pas d'adaptateur.

La machine à glaçons doit toujours être branchée dans son propre circuit de 115 volts, 60 Hz, 15 ampères. Cette

précaution procure le meilleur rendement et prévient aussi la surcharge des circuits électriques du domicile qui peuvent poser un risque d'incendie par surchauffe des fils.

Ne débranchez jamais la machine à glaçons en tirant sur le cordon électrique. Prenez toujours fermement la fiche en main et tirez pour la sortir de la prise.

Réparez ou remplacez immédiatement tout cordon électrique usé ou endommagé. N'utilisez pas un cordon fissuré ou présentant des dommages dus aux frottements soit sur sa longueur ou aux extrémités.

Lors du déplacement de la machine à glaçons, veillez à ne pas rouler sur le cordon électrique ni à l'endommager autrement.

MISE AU REBUT APPROPRIÉE DE VOTRE ANCIEN APPAREIL

⚠ AVERTISSEMENT

UN ENFANT RISQUE DE SUFFOQUER OU D'Y ÊTRE EMPRISONNÉ

Enlevez la porte de l'appareil avant de le mettre au rebut. Le non-respect de cette recommandation peut entraîner l'enfermement d'un enfant qui peut entraîner la mort ou des lésions cérébrales.

IMPORTANT: Les enfants pris au piège ou morts d'asphyxie sont toujours d'actualité. Les appareils jetés ou abandonnés restent dangereux même si vous ne les laissez au rebut que pour « quelques jours ». Si vous voulez jeter votre ancien appareil, suivez les instructions suivantes pour empêcher les accidents.

Avant de jeter votre ancien appareil:

- Enlevez les portes.

- Laissez les composants internes en place afin que les enfants ne puissent s'y introduire facilement.

Fluides frigorigènes

Les appareils réfrigérants contiennent des fluides frigorigènes qui conformément à la législation fédérale doivent être retirés avant la mise au rebut de l'appareil. Si vous mettez au rebut un ancien réfrigérateur contenant des fluides frigorigènes, vérifiez la procédure à suivre auprès de la compagnie responsable de l'élimination.

LIRE ET CONSERVER CES INSTRUCTIONS

Déballage

Retirer l'emballage

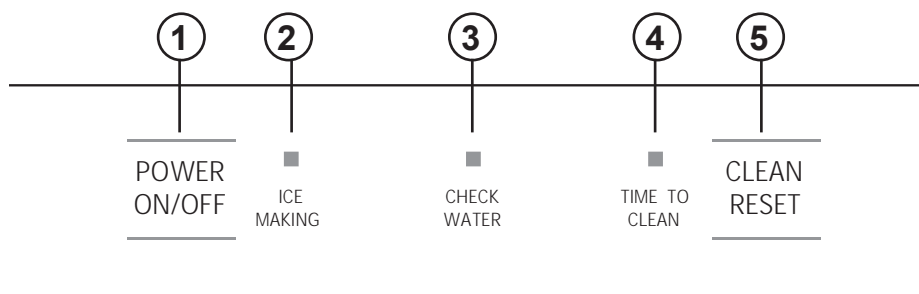
IMPORTANT: N'enlevez aucune étiquette d'instructions permanente à l'intérieur de la machine à glaçons ni fiche technique fixée derrière le panneau d'accès inférieur.

- Retirez le ruban adhésif et toute étiquette de votre machine à glaçons avant l'utilisation (sauf l'étiquette des numéros de modèle et de série).

Pour enlever les résidus d'adhésif ou de colle qui subsistent, frottez la zone vigoureusement avec votre pouce. On peut aussi faire partir aisément les résidus d'adhésif ou de colle en frottant avec les doigts et une petite quantité de savon à vaisselle liquide. Essuyez à l'eau chaude et séchez.

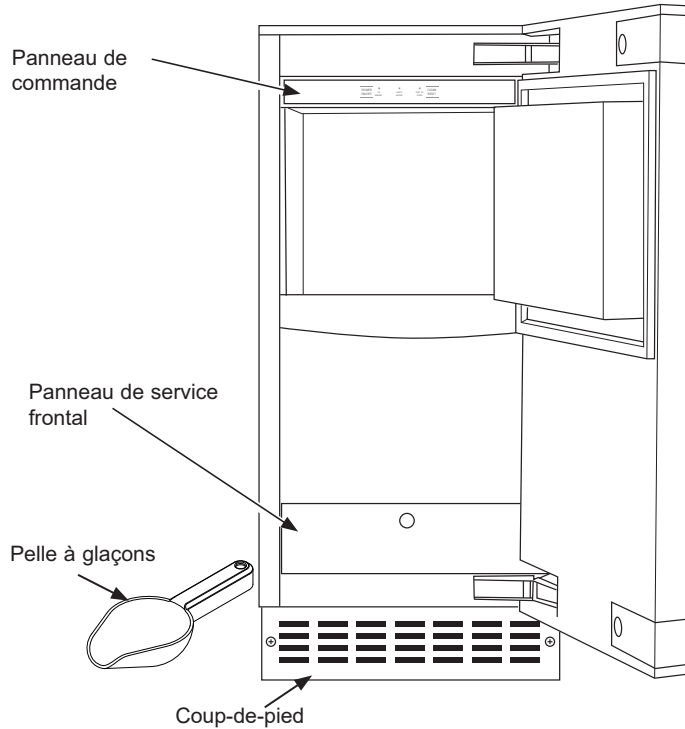
- N'utilisez pas d'instruments coupants, de l'alcool à friction, des fluides inflammables ni des nettoyants abrasifs pour enlever l'adhésif ou la colle. Ces produits peuvent endommager la surface de la machine à glaçons. Pour plus d'informations, voir Consignes de sécurité importantes.

Commandes



- 1. POWER ON/OFF** - Press to turn the ice machine on or off.
- 2. ICE MAKING (Production de glace)** - Brille en blanc lorsque l'appareil est allumé.
- 3. CHECK WATER (Vérifier l'eau)** - Brille en rouge lorsque la machine n'est plus alimentée en eau.
- 4. TIME TO CLEAN (Nettoyage requis)** - Brille en jaune lorsqu'il est temps de nettoyer la machine. Ce voyant s'allumera au bout de 6 mois d'utilisation. Il demeurera allumé jusqu'à ce que le système de la machine à glaçons soit nettoyé suivant la procédure décrite dans la section Entretien et nettoyage.
- 5. CLEAN RESET (Processus de nettoyage)** - Pressez simultanément ce bouton et le bouton Power durant 5 secondes pour démarrer le processus de nettoyage (voir Entretien et nettoyage).

Fonctions

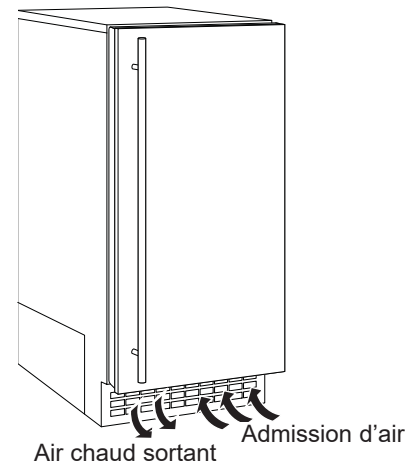


Démarrage de la machine à glaçons

Cette machine aspire l'air à température ambiante depuis sa face frontale inférieure droite et expulse l'air chaud depuis sa face frontale inférieure gauche. La restriction de la circulation d'air ou l'utilisation de la machine dans un environnement très chaud ou froid aura un effet négatif sur la production de glace.

Lorsque la porte est ouverte, le panneau de commande, la zone de production de glace et le bac de conservation de la glace sont visibles. La pelle à glace est située dans un support le long de la paroi du côté droit.

Il s'agit d'un modèle à vidange par gravité qui doit être raccordé au drain du bâtiment sous le niveau du tube de vidange à l'arrière de l'armoire. Une pompe peut être installée qui peut forcer l'eau de vidange à monter un maximum de 3 mètres (10 pi), permettant de situer la machine là où une vidange par gravité n'est pas disponible. Voir la section **Accessoires** de la page 21 pour plus d'informations sur la pompe de vidange.



Démarrage initial

1. Ouvrez l'alimentation d'eau.
2. Mettez l'appareil sous tension.
3. Pressez et relâchez l'interrupteur ON/OFF pour démarrer l'appareil. Le voyant ICE MAKING (Production de glace) à côté de l'interrupteur ON/OFF brillera en blanc.

La machine à glaçons mettra environ 10 minutes avant de commencer à déposer des glaçons dans le bac de conservation de la glace. Au début, cette glace aura tendance à fondre mais de plus en plus lentement à mesure que le bac se refroidit. Il faudra environ 6 à 7 heures pour remplir le bac de conservation de la glace. Celui-ci peut contenir environ 9 kg (20 lb) de glace lorsqu'il est plein.

Jeter le premier lot de glace.

Instructions d'installation

MACHINE À GLAÇONS

Si vous avez des questions, appelez le 1.800.561.3344 ou visitez notre site Web à l'adresse : electromenagers.ca

MISE À LA TERRE DE LA MACHINE À GLAÇONS

⚠ AVERTISSEMENT



Risque de choc

électrique.

Le non-respect de ces instructions peut entraîner des risques d'incendies, des chocs électriques ou la mort.

Le cordon d'alimentation de cet appareil est équipé d'une fiche à trois broches (pour une mise à la terre) qui s'adapte à la prise de courant standard à 3 broches (pour une mise à la terre) pour minimiser les risques de chocs électriques par cet appareil.

Faites vérifier la prise murale et le circuit électrique par un électricien qualifié pour s'assurer que le système est correctement mis à la terre.

Dans le cas d'une prise biphasée, l'installateur a la responsabilité et l'obligation de la remplacer par une prise triphasée correctement mise à la terre.

NE COUPEZ PAS OU N'ENLEVEZ PAS, SOUS AUCUN PRÉTEXTE, LA TROISIÈME BROCHE DE MISE À LA TERRE DU CORDON D'ALIMENTATION.

N'UTILISEZ PAS UNE FICHE D'ADAPTATION POUR BRANCHER L'APPAREIL DANS UNE PRISE À DEUX FENTES.

N'UTILISEZ PAS UNE RALLONGE AVEC CET APPAREIL.

AVANT DE COMMENCER

Lisez ces instructions complètement et attentivement.

- **IMPORTANT** — Respectez tous les codes et règlements officiels. Conservez ces instructions pour utilisation éventuelle par un inspecteur local.
- **Note à l'installateur** – Assurez-vous de laisser ces instructions au consommateur.
- **Note au consommateur** – Conservez ces instructions pour référence future.
- **Niveau de connaissances** – L'installation de cet appareil requiert des connaissances de base en mécanique.
- **Temps requis** – IL'installation peut varier
Installation de la conduite d'eau : 30 minutes
- L'installateur est responsable de l'installation correcte
- Toute panne de cet appareil causée par une installation inadéquate n'est pas couverte par la garantie.

EMPLACEMENT ET PRÉPARATION DE LA MACHINE À GLAÇONS

Cette machine à glaçons est destinée à un usage à l'intérieur dans un environnement contrôlé, ou à l'extérieur dans certaines limites.

Elle est constituée de deux systèmes principaux : le système de production de la glace et le système de conservation de la glace. Le système de production produit de la glace en continu lorsque le niveau de glace est faible et il s'arrête lorsque plein.

Le système de conservation de la glace consiste en une caisse isolée dont le fond comporte un drain pour évacuer la glace fondue. Il n'est pas réfrigéré car le bac contient de la glace fraîche.

Pendant la production, les glaçons se déposeront dans le bac à un taux irrégulier; peu de glace y sera parfois ajoutée, alors qu'à d'autres moments un groupe de glaçons y tomberont.

IMPORTANT: Le bac de conservation ne doit contenir rien d'autre que de la glace. Des objets tels que des bouteilles de vin ou de bière ne sont pas seulement insalubres, mais leurs étiquettes peuvent se détacher et obstruer le drain.

IMPORTANT: Ne laissez jamais la machine fonctionner sans la nettoyer régulièrement. Celle-ci durera plus longtemps si elle est tenue propre. Un nettoyage régulier devrait être effectué au moins une fois l'an, préférablement deux. Certaines conditions de l'eau pourront nécessiter le nettoyage plus fréquent de la section de production de glace, et du condensateur en présence de certains tapis ou animaux domestiques.

Spécifications

La machine à glaçons fonctionnera adéquatement dans les limites de température spécifiées mais elle procure son meilleur rendement entre 60 °F et 80 °F.

- Température d'eau minimale: 50°F (10°C)
- Température d'eau maximale 100°F (38°C)
- La température minimale de l'eau: 40°F (4.5°C)
- La température maximale de l'eau: 90°F. (32°C)
- Pression d'eau minimale: 20 psi (1.4 bar)
- Pression d'eau maximale: 80 psi (5.5 bar)

Limites de tension :

Voir la plaque signalétique à l'intérieur de la machine à glaçons.

Instructions d'installation

EMPLACEMENT ET PRÉPARATION DE LA MACHINE À GLAÇONS (SUITE)

Spécifications relatives à l'alimentation d'eau et aux conditions ambiantes

- Cette machine à glaçons doit être raccordée à une alimentation d'eau potable.
- L'alimentation d'eau doit présenter une conductivité d'au moins 10 microSiemens/cm.

L'eau alimentant cette machine à glaçons doit être potable et convenir à la consommation humaine. Pendant la production de glace, certains minéraux vont adhérer aux composants de l'appareil. Plus la teneur en minéraux est élevée, plus l'accumulation sera importante. Les filtres à eau sont d'une aide partielle étant donné qu'ils retiennent les particules en suspension, mais un traitement supplémentaire est nécessaire pour les solides dissous dans l'eau car non filtrables. Nous recommandons d'utiliser un filtre à eau de marque GE Appliances sur votre conduite d'admission d'eau (p.ex. numéro de modèle GXRLQ). Veuillez visiter le site [siteelectromenagersge.ca](http://electromenagersge.ca) pour lire les instructions d'installation et déterminer le modèle de filtre qui convient à votre situation.

Cette machine peut recevoir de l'eau traitée par osmose inverse, à condition que sa conductivité soit d'au moins 10 microSiemens/cm. Un système d'osmose inverse doit inclure un post-traitement ou un brassage pour réduire l'agressivité de l'eau générée par O.I.

L'eau désionisée n'est pas recommandée car elle peut endommager la machine.

Étant donné que les adoucisseurs d'eau échangent un minéral pour un autre, la qualité de l'eau résultante ne convient pas nécessairement aux machines à glaçons.

- Pression d'eau minimale : 20 psi
- Pression d'eau maximale : 80 psi
- Température d'eau minimale : 40 °F
- Température d'eau maximale : 90 °F.

Cette machine à glaçons est conçue pour fonctionner dans une plage étendue de températures ambiantes, soit un minimum de 50 °F et un maximum de 100 °F.

Même si la machine fonctionnera dans la plage des températures indiquées, son meilleur rendement se situe à des températures entre 50 et 60 °F pour l'eau, et entre 60 et 80 °F pour l'air.

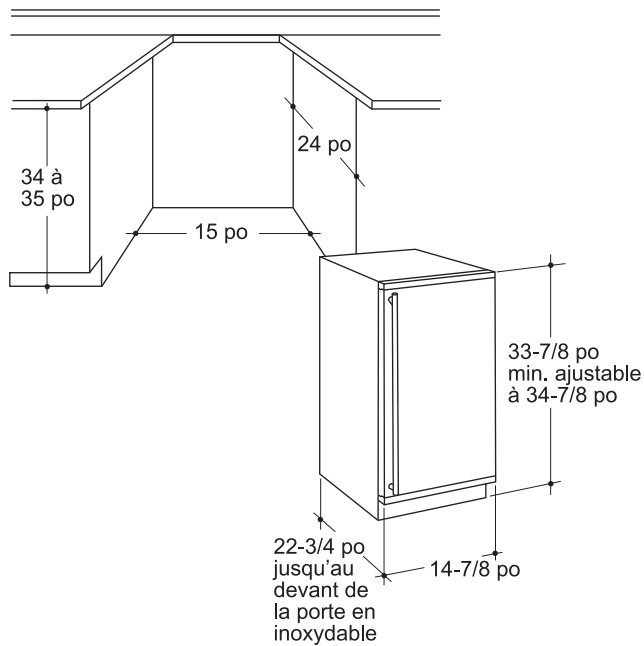
REMARQUE : La capacité de la machine à glaçons diminue à mesure que la température ambiante augmente et elle sera fortement réduite à des températures au-delà de 90 °F.

Se servir de l'appareil au-delà des limites peut causer des problèmes non couverts par la garantie qui peuvent aller jusqu'au bris dans les cas extrêmes.

PLANIFICATION PRÉALABLE

ATTENTION En raison du poids important, **DEUX PERSONNES SONT NÉCESSAIRES POUR DÉPLACER ET INSTALLER** cette machine à glaçons. L'omission d'agir ainsi peut causer des blessures, notamment au dos.

Dimensions du produits et des découpes



Notes d'installation

Une pompe de vidange est offerte pour cette machine à glaçons. On peut se procurer l'ensemble de pompe de vidange numéro UPK3 sur le site GEApplianceparts.com ou en composant le **877-959-8688**. Au Canada, visitez le site ElectromenagersGE.ca ou composez le **800.561.3344**.

Installation intégrée : Si un plancher de finition doit être posé dans la zone où la machine à glaçons sera installée, un calage de l'épaisseur du plancher doit être prévu pour garder la machine au niveau du plancher.

REMARQUE : Le raccordement d'eau s'effectue à l'arrière et ajoute quelques centimètres à la profondeur de l'armoire.

Installation sur dalle : Vous devez installer une pompe de vidange sur l'appareil et pomper l'eau jusqu'au drain. Voir la section Accessoires. La pompe pourra pomper sur une hauteur d'un étage (3 m / 10 pi).

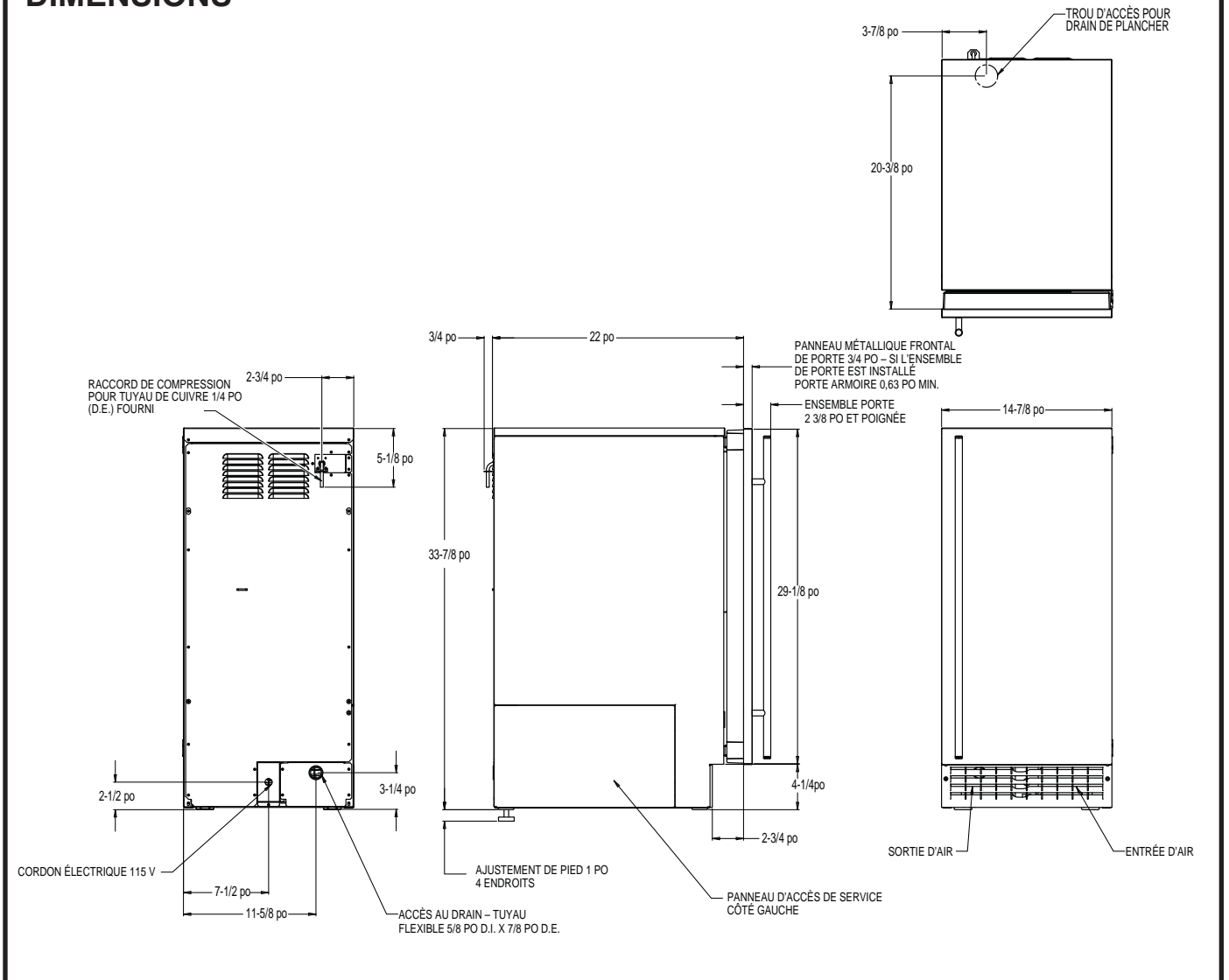
Installation au-dessus d'un vide sanitaire ou d'un sous-sol : Il faut utiliser soit un drain par gravité, soit une pompe. Pour la pompe, voir la section Accessoires. Si l'espace derrière la machine est insuffisant pour un orifice de vidange, le drain devra se situer sous le plancher.

REMARQUE : Lorsque installée dans un coin, l'ouverture de porte peut être limitée en raison du contact de la poignée sur le mur ou la face de l'armoire.

Une alimentation d'eau est requise. Celle-ci peut varier en contenu minéral. Une haute teneur en minéraux peut augmenter la fréquence des entretiens. La filtration de l'eau peut améliorer le goût de la glace et réduire l'accumulation minérale.

Instructions d'installation

DIMENSIONS

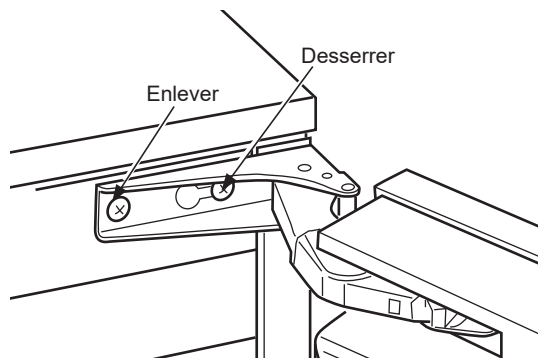


DIRECTION DE L'OUVERTURE DE PORTE

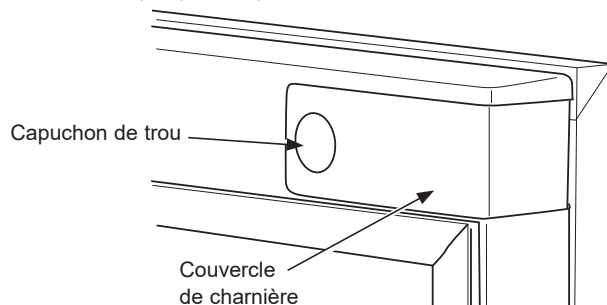
La pose des charnières peut se faire d'un côté ou l'autre pour permettre l'ouverture de la porte à droite ou à gauche. Décidez du côté de l'ouverture AVANT de fixer le panneau de porte.

Pour changer de côté :

1. Ouvrez la porte. Enlevez les 4 vis en acier inoxydable à l'opposé du côté charnière sur le devant de l'armoire.
2. Enlevez la vis située la plus à l'intérieur qui fixe la charnière à l'armoire. Desserrez l'autre vis.



3. Glissez la porte vers le côté de façon que la fente en trou de serrure de la charnière dégage la vis, puis retirez la porte de l'armoire.
4. Enlevez les vis qui ont été desserrées et conservez-les. Posez les 4 vis en acier inoxydable, enlevées à l'étape 1, dans les trous de l'armoire devenus libres par le retrait de la charnière.
5. Enlevez le capuchon de trou et les couvercles de charnière (s'il y a lieu).



6. Enlevez les capuchons de trou ou les vis au nouvel emplacement de la charnière (s'il y a lieu). Mettez-les de côté.
7. Posez les 2 vis de charnière, enlevées lors du retrait de la porte de l'armoire, dans les trous les plus à l'extérieur sur le nouveau côté charnière de l'armoire. Vissez-les jusqu'à mi-course environ.
8. Enlevez la charnière supérieure de la porte et déplacez-la sur le côté opposé, position inférieure. Fixez-la à l'aide des vis d'origine.

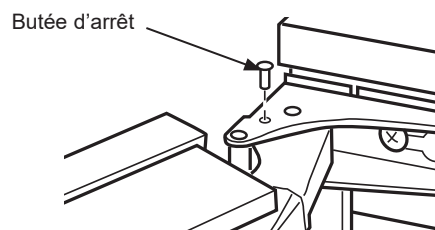
REMARQUE : Si le panneau de porte est fixé, il doit être enlevé pour l'accès aux vis de charnière et pour inverser la position de la poignée.

9. Enlevez la charnière inférieure d'origine et déplacez-la à l'emplacement opposé, position supérieure. Fixez-la à l'aide des vis d'origine.

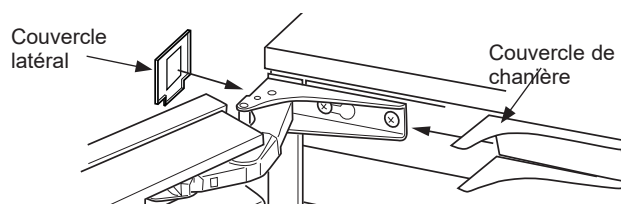
IMPORTANT : Si vous installez un panneau de porte en acier inoxydable ou un panneau personnalisé, sautez à la section INSTALLATION DU PANNEAU DE PORTE.

10. Posez les couvercles de charnière et les capuchons de trou sur la porte.
11. Posez la fente en trou de serrure sur la charnière, au-dessus de la vis la plus à l'extérieur, dans le haut et dans le bas, puis glissez la porte sur l'armoire.
12. Fixez la porte sur l'armoire à l'aide des vis d'origine. Serrez les 4 vis.

IMPORTANT : Dans certaines situations, la porte peut s'ouvrir trop largement et ainsi endommager les armoires adjacentes. Pour l'empêcher, insérez une butée d'arrêt (trousse de quincaillerie) dans le trou existant des charnières supérieure et inférieure. Enfoncez la butée dans le trou jusqu'à ce que sa tête soit à égalité avec la charnière.



13. Glissez les couvercles de charnière (trousse de quincaillerie) sur chaque charnière.



14. Fixez les couvercles latéraux (trousse de quincaillerie) sur les côtés des charnières en retirant la pellicule de l'adhésif.

REMARQUE : On peut se passer de couvercles latéraux dans le cas d'une installation intégrée, l'appareil étant fixé à l'armoire par une vis.

Instructions d'installation

INSTALLATION DU PANNEAU DE PORTE

La machine à glaçons est livrée sans recouvrement de porte conventionnel, permettant ainsi la fixation d'un panneau en ou d'un panneau personnalisé.

REMARQUE : Si la direction d'ouverture de la porte doit être changée, il faut procéder AVANT de fixer le panneau de porte.

Panneau de porte

Des panneaux de porte avec poignée sont offerts par GE Appliances pour fixation sur la machine à glaçons. Voir la section **Accessoires** à la page 21.

Un panneau personnalisé en bois ou une autre matière n'excédant pas 6,8 kg (15 lb) peut être utilisé en respectant les dimensions suivantes :

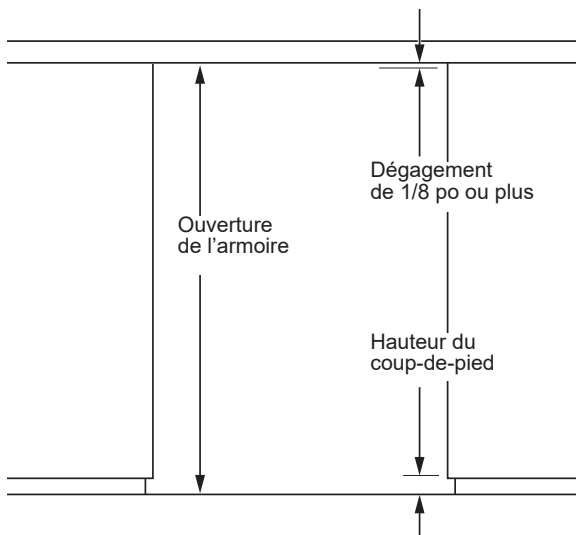
Largeur : 14 7/8 po

Hauteur : entre 29 5/8 et 30 5/8 po

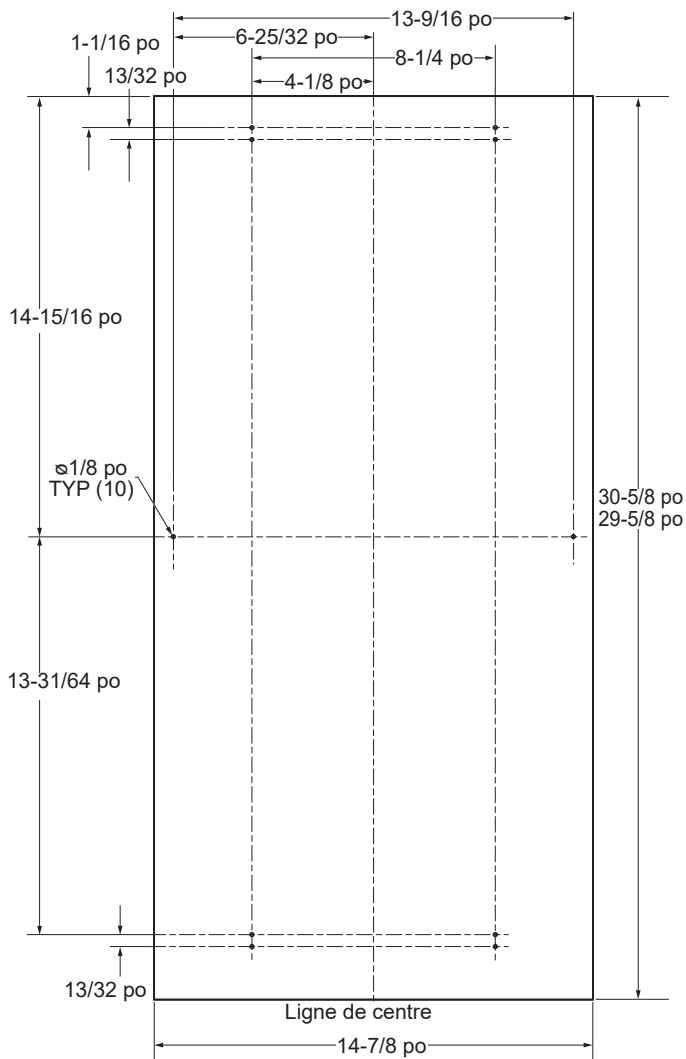
Épaisseur : 5/8 à 3/4 po

Panneau personnalisé :

1. Mesurez la hauteur totale de l'ouverture de l'armoire où la machine à glaçons sera installée (plancher jusqu'au bas du bord du comptoir de cuisine).
2. Déterminez la hauteur du coup-de-pied (bas de la porte jusqu'au plancher). Elle peut être égale à la hauteur du coup-de-pied de l'armoire adjacente.
3. Le dégagement entre le comptoir et le dessus de la machine à glaçons doit être d'au moins 1/8 po.
4. Soustrayez la hauteur du coup-de-pied et le dégagement, de la hauteur de l'ouverture pour déterminer la hauteur de votre panneau de porte personnalisé.



5. Couper le panneau à la largeur et la hauteur spécifiées.
6. Déterminez la position du haut du panneau. Mesurez et marquez les positions des trous.
7. Percez des trous de guidage sur l'arrière du panneau aux endroits des marques. Utilisez une butée de perçage pour éviter de percer à travers le panneau.



INSTALLATION DU PANNEAU DE PORTE (suite)

Si le sens de l'ouverture de porte doit être changé, veuillez procéder avant d'installer le panneau de porte. Voir la page 11. Selon la trousse de porte installée, la poignée de porte peut devoir être inversée si le sens de l'ouverture de porte est changé. Prière de se reporter aux instructions de la page 14 pour savoir comment inverser la poignée.

Fixation du panneau de porte

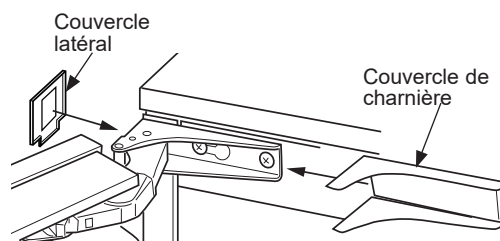
Le panneau sera fixé par 6 vis à tôle et 2 vis de mécanique.

1. Enlevez le joint d'étanchéité depuis l'intérieur de la porte et conservez-le pour plus tard.
2. Enlevez toute pellicule de plastique recouvrant le panneau.
3. Placez le panneau de porte sur l'extérieur de la porte et fixez-le avec 2 vis de mécanique dans le centre gauche et le centre droit de la porte.
4. Fixez le panneau sur la porte à l'aide de 6 vis à tôle. Dans la zone d'ouverture de la charnière à l'opposé du côté charnière, utilisez les trous de vis les plus à l'extérieur seulement.
5. Placez les couvercles sur les zones d'ouverture des charnières et fixez chaque couvercle sur la porte à l'aide de vis à tôle et leurs rondelles.
6. Insérez le capuchon de trou sur la vis posée à l'étape 5.
7. Remettez le joint d'étanchéité à sa position initiale.
8. Fixez la porte à l'armoire à l'aide des vis d'origine.

IMPORTANT : Dans certaines situations, la porte peut s'ouvrir trop largement et ainsi endommager les armoires adjacentes. Pour l'empêcher, insérez une butée d'arrêt (trousse de quincaillerie) dans le trou existant des charnières supérieure et inférieure. Enfoncez la butée dans le trou jusqu'à ce que sa tête soit à égalité avec la charnière.

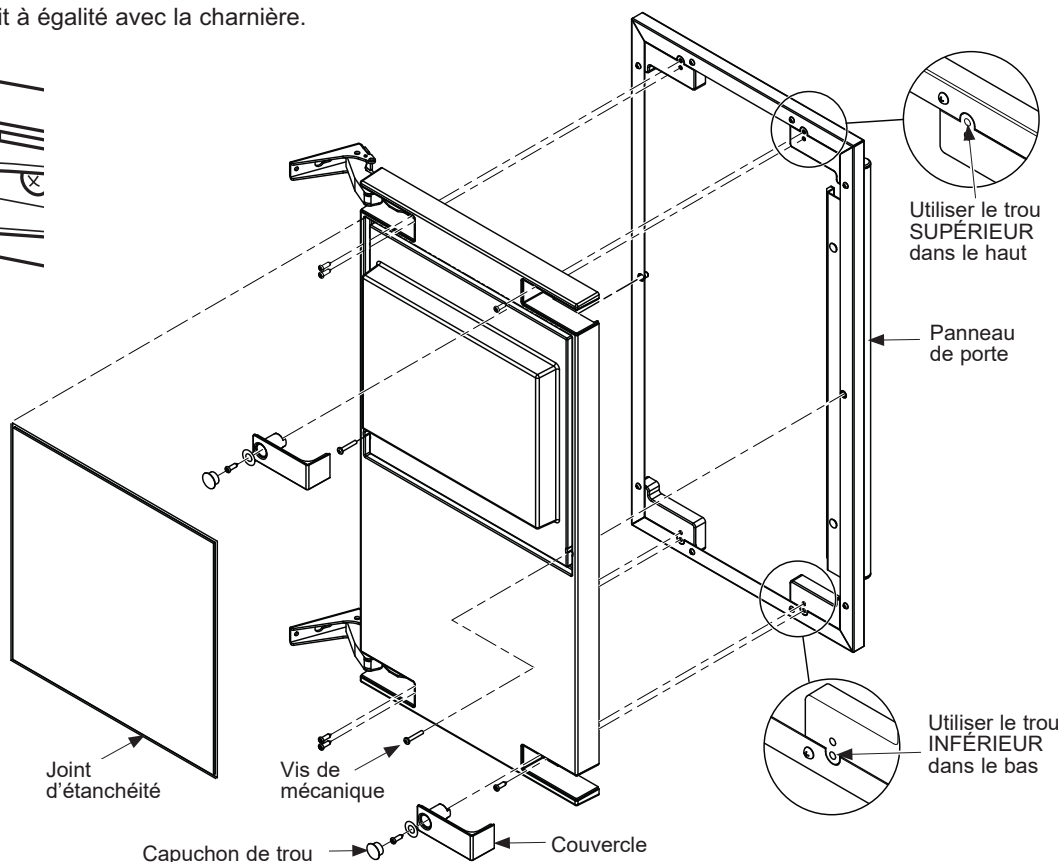
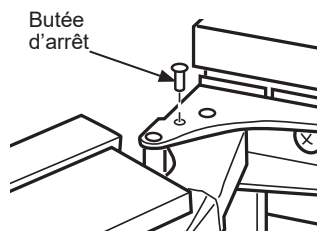
9. Glissez les couvercles de charnière (trousse de quincaillerie) sur chaque charnière.
10. Fixez les couvercles latéraux (trousse de quincaillerie) sur le côté des charnières en retirant la pellicule qui recouvre l'adhésif.

REMARQUE : On peut se passer de couvercles



latéraux dans le cas d'une installation intégrée, l'appareil étant fixé à l'armoire par une vis.

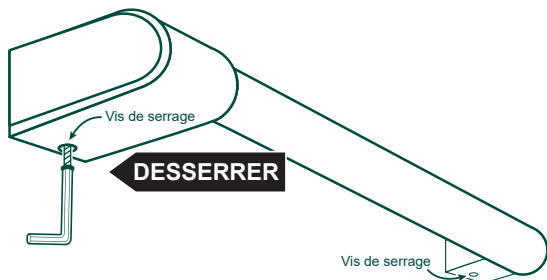
11. Remettez le coup-de-pied et le panneau de service frontal à leur position initiale et fixez l'armoire à l'aide des vis d'origine.



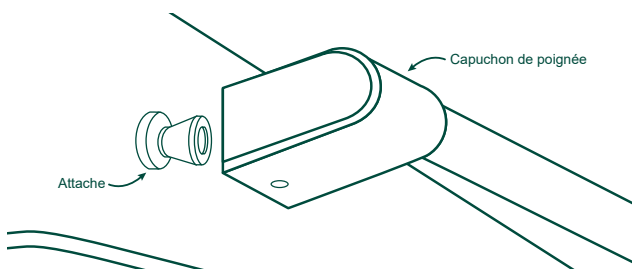
Instructions d'installation

INSTRUCTIONS RELATIVES À L'INVERSION DE LA POIGNÉE

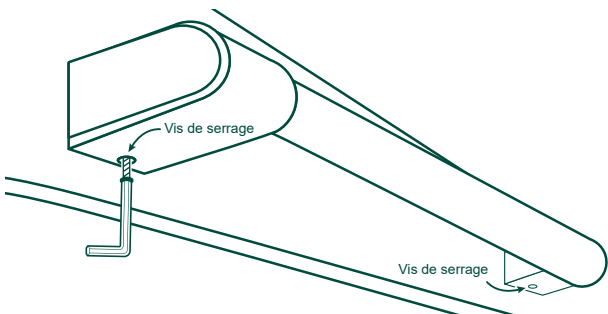
1. Retirer la clé hexagonale de l'enveloppe de la trousse de visserie pour installation du panneau.
2. Desserrer la vis de serrage à l'aide de la clé hexagonale. Enlever la poignée et l'inverser de façon que le logo soit face à l'autre côté.



3. Placer les capuchons de poignée sur les fixations de la porte. Veiller à supporter la poignée car elle pourrait tomber et rayer le fini de l'électroménager. S'assurer que les deux capuchons de poignée reposent sur la face de la porte.



4. Verrouiller une extrémité de la poignée en position en serrant la vis de serrage à l'aide de la clé hexagonale fournie. NE PAS serrer excessivement.



5. Continuer de supporter la poignée pour verrouiller l'autre extrémité de la poignée en serrant la vis de serrage dans le capuchon de poignée. NE PAS serrer excessivement.

PLOMBERIE – POMPE DE VIDANGE

Installation du système de vidange

Une pompe de vidange est offerte pour cette machine à glaçons. On peut se procurer l'ensemble de pompe de vidange numéro UPK3 sur le site **GEApplianceparts.com** ou en composant le 877-959-8688. Au Canada, visitez le site **ElectromenagersGE.ca** ou composez le 800.561.3344.

PLOMBERIE – VIDANGE PAR GRAVITÉ

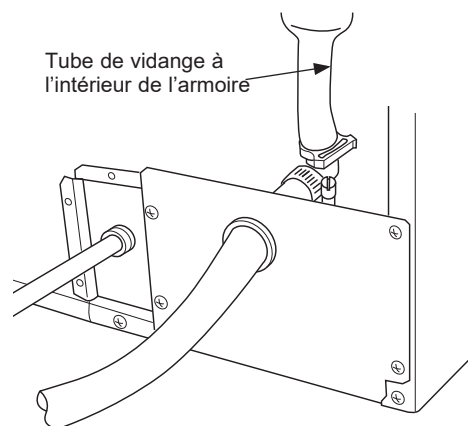
Installation du système de vidange

⚠ AVIS

Des limitations du système de vidange peuvent causer un retour d'eau dans le bac de conservation de la glace et faire fondre celle-ci. La tubulure du système de vidange par gravité doit être ventilée, être exempte de plis et pencher vers le drain du bâtiment. Des coupures antirefoulement sont généralement requises par les codes locaux.

1. Placez la machine à glaçons devant l'ouverture. Ajustez les pieds de nivellement à la hauteur approximative. On peut trouver dans la trousse de quincaillerie des capuchons qui s'encliquettent sur les pieds de nivellement si ceux-ci sont trop visibles une fois de niveau.
2. Insérez le tube de vidange dans le trou de guidage du panneau arrière.
3. Au besoin, enlevez le panneau arrière supérieur pour accéder au raccord de vidange.

REMARQUE : Si l'ouverture du drain est située dans le plancher sous la tôle de base selon les spécifications de pré-installation, suivez les étapes 4 à 7 pour vidanger l'appareil par la base. Sinon, allez à l'étape 7.



PLOMBERIE – VIDANGE PAR GRAVITÉ (suite)

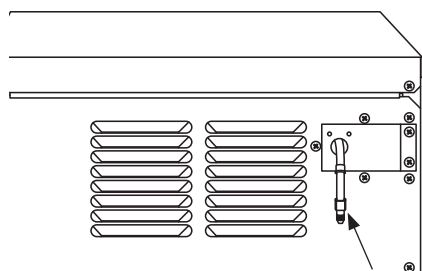
4. Enlevez la bride et le coude cannelé puis retirez la pellicule plastique sur la tôle basale sous le tuyau de vidange.
5. Raccordez un connecteur cannelé droit de 5/8 po au tuyau de vidange, le fixant à l'aide de la bride fournie.
6. Coupez une longueur de 8 po de tuyau Tygon (plastique transparent) de 5/8 D.I. x 7/8 D.E. Glissez un bout du tube dans la bride, laissant l'autre bout sur le fond de la tôle basale jusqu'à ce que l'appareil soit placé au-dessus du drain de plancher.
7. Acheminez le tube de vidange. Soit a) insérez le tube de vidange à travers la tôle basique, dans le drain de plancher, ou soit b) acheminez le tube de vidange à travers le trou du panneau inférieur arrière, raccordez-le au coude cannelé et fixez-le avec une bride.
8. Réinstallez tout panneau qui a été enlevé pour le raccordement au drain.

Alimentation d'eau

Un tube en cuivre de ¼ po (D.E.) est recommandé pour l'alimentation d'eau. On peut aussi utiliser des flexibles en acier inoxydable ou des tubes en PVC renforcés. Installez un robinet de sectionnement aisément accessible entre l'alimentation d'eau et l'appareil. Ce robinet ne doit pas être installé derrière l'appareil.

Le raccordement d'eau se situe à l'arrière de l'armoire. Utilisez le raccord à compression fourni qui est attaché au tube d'admission d'eau à l'arrière de l'armoire.

Installation intégrée : Enroulez suffisamment de tube derrière la machine afin que des plis ne se forment pas lorsqu'elle sera poussée dans la cavité.



Raccordez l'alimentation d'eau ici, un raccord est fourni dans un sac attaché au tube.

PLACEZ LA MACHINE À GLAÇONS

La machine à glaçons est livrée avec un cordon électrique. Ne retirez pas la broche de mise à la terre de la fiche du cordon. N'utilisez pas de rallonge. Observez tous les codes d'électricité. Branchez la machine sur son propre circuit de 115 V, 15 ampères.

1. Branchez la machine à glaçons dans la prise électrique si celle-ci se situe derrière l'appareil.
2. Placez l'appareil dans l'ouverture de l'installation.
3. Ouvrez l'alimentation d'eau. Assurez-vous que la machine à glaçons est branchée et qu'elle est sous tension (ON).
4. Glissez l'appareil dans l'ouverture, en portant une attention particulière aux raccords à l'alimentation d'eau et au drain. Attention aux plis.
5. Versez quelques litres d'eau dans le bac de conservation de la glace; sur les machines qui en sont équipées, la pompe devrait démarrer et l'eau devrait se vidanger. Vérifiez l'absence de fuites.
6. Remplacez le panneau d'accès de service.
7. Mettez l'appareil de niveau. On peut trouver dans la trousse de quincaillerie des capuchons qui s'encliquettent sur les pieds de nivellement si ceux-ci sont trop visibles une fois de niveau.

Entretien et nettoyage (suite)

Nettoyage des surfaces extérieures

On peut nettoyer la porte et la poignée en acier inoxydable à l'aide d'un nettoyant pour inox commercial. Les nettoyants qui contiennent de l'acide oxalique tels que Bar Keepers Friend Soft Cleanser™ vont éliminer la rouille, le ternissement et les petites taches.

Utilisez seulement un nettoyant liquide exempt d'abrasif et frottez dans la direction des lignes de brossage à l'aide d'une éponge humide douce. N'employez pas de cire ni de produit à polir les électroménagers sur de l'acier inoxydable.

Nettoyage du condensateur

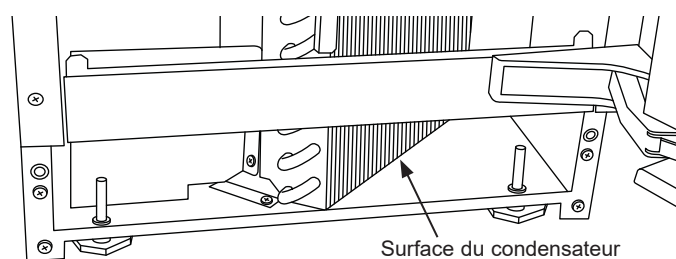
Le condensateur est constitué d'ailettes et de tubes que la saleté et la charpie peuvent obstruer.

Pour nettoyer :

1. Enlevez le coup-de-pied et le panneau de service frontal.
2. Repérez la surface du condensateur.
3. Passez l'aspirateur sur la surface pour enlever toute saleté et charpie.

⚠ AVIS Ne cabossez pas les ailettes.

4. Remettez en place le coup-de-pied et le panneau de service frontal. Fixez-les sur l'armoire à l'aide des vis d'origine.



Nettoyage du tartre dans le système de la machine à glaçons

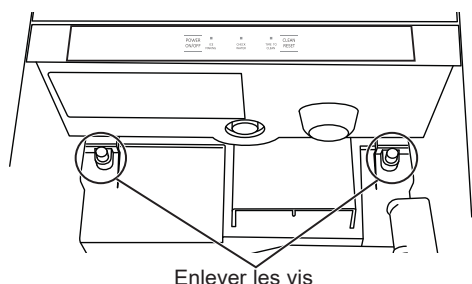
Ce nettoyage consiste à ajouter une solution de produit antitartre et d'eau dans la machine à glaçons et de poursuivre l'opération pendant la production de glace. Le produit antitartre doit être dilué dans la proportion adéquate. Une bouteille compressible facilitera l'ajout de produit antitartre si la machine est intégrée dans une armoire. Sinon, retirez le panneau supérieur pour accéder au réservoir.

Vous devez utiliser des gants en caoutchouc pour manipuler le produit antitartre. Pour commander le produit antitartre, consultez le site electromenagersge.ca/fr/produits/filtres-et-accessoires ou composez le **800.661.1616**. Commandez la pièce no WX08X42872.

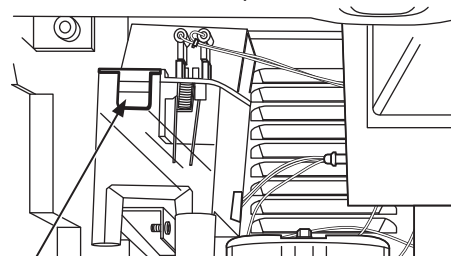
1. Jetez toute la glace.
2. Pressez et relâchez le bouton **ON/OFF**.



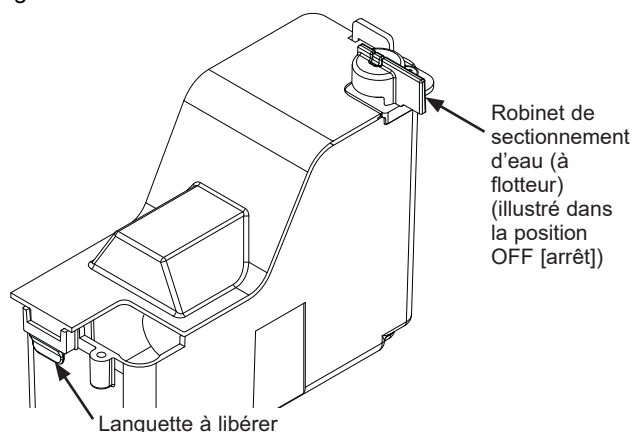
3. Ouvrez la porte et repérez les vis dans la paroi supérieure arrière du bac à glace. Enlevez les 2 vis.



4. Enlevez le panneau arrière du bac en l'abaissant au-delà du support de la pelle. Ce support va pivoter pour permettre l'abaissement du panneau.



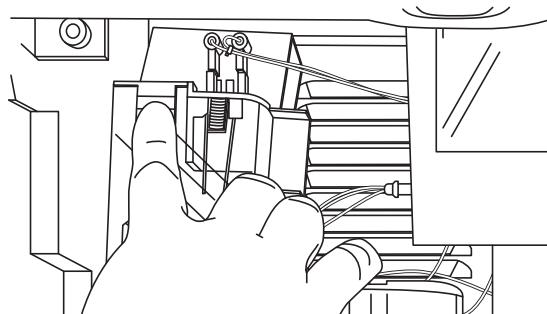
5. Le robinet de sectionnement d'eau (à flotteur) est situé à l'arrière du réservoir. Le robinet DOIT être tourné à la position OFF (arrêt) avant de pouvoir retirer le couvercle du réservoir. Tournez le bouton dans le sens contraire des aiguilles de 90°.



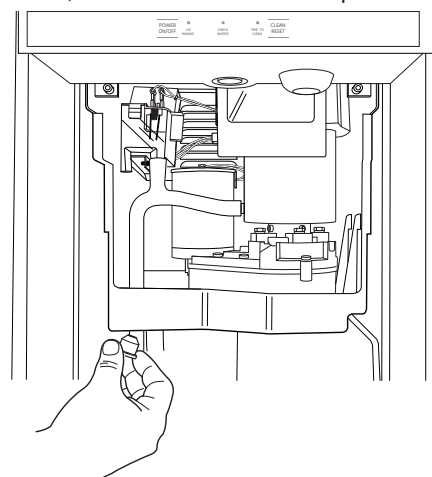
Nettoyage du tartre dans le système de la machine à glaçons (suite)

6. Poussez la languette située sur le bord frontal du couvercle du réservoir et retirez le couvercle.

REMARQUE : Les fils adjacents conduisent une faible tension et ne sont pas dangereux.

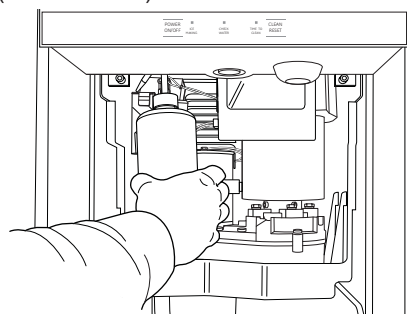


7. Repérez le bouchon de vidange. Tirez sur le bouchon pour vidanger le réservoir et l'évaporateur. Une fois la vidange terminée, remettez le bouchon en place.



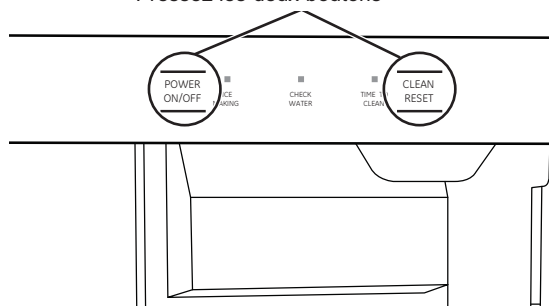
8. Obtenez une solution de produit antitartre prémélangée ou faites vous-même le mélange de la solution en additionnant le produit et l'eau selon les proportions spécifiées. Remplissez une bouteille compressible avec 474 ml (16 oz) de la solution d'eau et de produit antitartre mélangés.

9. Remplissez le réservoir avec la solution de produit antitartre dans la bouteille compressible. Employez environ la moitié (237 ml / 8 oz) de la solution.



10. Pressez simultanément sur les boutons **CLEAN/RESET** et **ON/OFF** durant 5 secondes. Le voyant **TIME TO CLEAN** clignotera.

Pressez les deux boutons

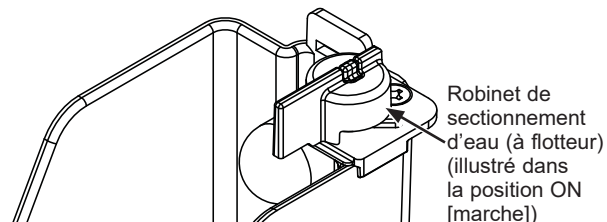


11. Le moteur à vis sans fin tournera durant 10 minutes puis le compresseur va démarrer. La machine se mettra à produire de la glace au bout de 5 à 8 minutes. Le voyant **TIME TO CLEAN** brillera continuellement jusqu'à la fin du cycle de nettoyage.

ATTENTION Gardez les doigts à l'écart des pièces mobiles.

Une fois la production de glace lancée, ajoutez continuellement de la solution de produit antitartre dans le réservoir pour le garder environ à moitié rempli.

Une fois toute la solution de 474 ml (16 oz) utilisée, tournez le bouton robinet de sectionnement d'eau (à flotteur) dans le sens des aiguilles de 90° à la position ON (marche).



Au bout de 40 minutes, la machine à glaçons et tous les voyants du panneau de commande s'éteindront.

12. Tirez de nouveau sur le bouchon de vidange pour vidanger le système puis remettez-le en place.

AVERTISSEMENT



Le produit antitartre pour machine à glaçons contient des acides qui peuvent causer des brûlures. En cas d'éclaboussement du produit concentré sur la peau, rincez à l'eau. En cas d'ingestion, ne provoquez PAS de vomissement. Faites boire de grandes quantités d'eau ou de lait. Appelez un médecin immédiatement. Gardez à l'écart des enfants.

REMARQUE : Veillez à ne pas verser de produit antitartre sur les surfaces adjacentes. Essuyez immédiatement tout déversement avec du bicarbonate de soude et de l'eau.

Entretien et nettoyage (suite)

Nettoyage du tartre dans le système de la machine à glaçons (suite)

13. Tournez le bouton du robinet de sectionnement d'eau (à flotteur) à la position OFF (arrêt), remplacez le couvercle du réservoir, puis retournez le bouton du robinet de sectionnement d'eau (à flotteur) à la position ON (marche).
 14. Remplacez le panneau arrière supérieur du bac à l'aide des vis d'origine. Poussez sur le bas du panneau arrière pour l'encliqueter en place.
 15. Versez 3,8 litres (1 gallon) d'eau très chaude (95 à 115 °F) dans le bac pour rincer le drain et faire fondre toute la glace qui a été produite pendant le processus de nettoyage. Assurez-vous que toute la glace a fondu.
 16. Utilisez le reste de solution de produit antitartre pour nettoyer le tartre résiduel sur le revêtement du bac. S'il ne reste plus de solution, utilisez 1 litre de solution de produit antitartre (prémélangée ou par vous-même)s.
 17. Rincez le revêtement avec de l'eau très chaude.
 18. Désinfectez l'intérieur du bac.
 19. Pressez et relâchez le bouton **ON/OFF** pour redémarrer la production de glace.
- La pelle à glaçons doit être lavée régulièrement et elle va au lave-vaisselle.
-

Entretien supplémentaire

REMARQUE : Il est normal que du tartre se forme sur le couvercle du réducteur à engrenage. Essayez le tartre qui se déloge facilement.

Inspectez le roulement (bearing) supérieur.

Le roulement supérieur est non métallique et ne nécessite aucune lubrification. Il faut toutefois vérifier son usure à l'occasion. Il faut retirer le dessus du panneau pour accéder au roulement. La limite d'usure est de 1/64 po et peut être vérifiée à l'aide d'un micromètre.

Hivernage

1. Nettoyez le système de la machine à glaçons selon les instructions des pages 7 et 8.
 2. Ouvrez la porte et pressez le bouton ON/OFF pour éteindre la machine à glaçons.
 3. Fermez l'alimentation d'eau.
 4. Enlevez la paroi arrière du bac de conservation de la glace.
 5. Enlevez le bouchon de vidange, vidangez le réservoir d'eau et remettez le bouchon en place.
 6. Si le modèle est doté d'une pompe de vidange, il faut ajouter environ 2 litres (1/2 gallon) d'antigel pour véhicule récréatif (propylèneglycol) dans le bac de conservation de la glace.
- REMARQUE** : Il ne faut PAS employer de l'antigel pour automobile.
7. Éteindre et débrancher la machine à glaçons.

Conseils de dépannage... Avant de faire un appel de service

Économisez temps et argent! Consultez d'abord les tableaux des pages suivantes et vous pourriez vous éviter un appel de service.

Problème	Causes possibles	Causes possibles
Faible capacité	Tuyau de vidange restreint ou eau stagnante dans le bac	Nettoyez les ailettes du condensateur refroidi à l'air.
		Nettoyez le système de production de glace.
		Vérifiez que le tuyau de vidange ne comporte pas de plis.
Absence de glace	L'interrupteur est à la position OFF (Arrêt)	Pressez le bouton ON/OFF (Marche/Arrêt) pour mettre l'appareil sous tension.
	Le disjoncteur a été déclenché	Réarmez le disjoncteur.
	Le débit d'eau est faible	Si le voyant Check Water (Vérifier l'eau) clignote en rouge, alors le débit d'eau est faible.
	Le moteur à vis sans fin ne fonctionne pas ou il est surchargé, des voyants clignotent.	Redémarrez le moteur en pressant le bouton ON/OFF. Si le moteur ne redémarre pas et que les voyants clignotent toujours, faites un appel de service.
Le voyant <i>Time to Clean (Nettoyage requis)</i> est allumé		Nettoyez le système de la machine à glaçons selon les instructions de la section <i>Entretien et nettoyage</i> .

Bruit

La machine à glaçons est conçue pour un fonctionnement silencieux mais elle pourra émettre des sons durant le cycle de production de la glace.

GE Appliances garantie limitée de la machine à glaçons

electromenagersGE.ca

Toutes les réparations en vertu de la garantie sont fournies par nos Centre de Service d'Usine ou par un technicien autorisé Customer Care®. Pour prévoir une réparation, consultez notre site electromenagersge.ca/fr/soutien/demande-de-service ou appelez le **800.661.1616**. Veuillez avoir votre numéro de série et votre numéro de modèle à portée de main lorsque vous appelez pour obtenir un service.

Pendant la période de garantie de :	GE Appliances remplacera :
Un An A compter de la date d'achat initial	Toute pièce du réfrigérateur qui s'avère défectueuse en raison d'un défaut de matériau ou de fabrication. Pendant la validité de la présente garantie limitée d'un an, GE Appliances fournira également gratuitement la main d'œuvre et le service pour réparer la pièce défectueuse.
Cinq Ans A compter de la date d'achat initial	Toute pièce du système fermé du réfrigérateur (compresseur, condenseur, évaporateur et tous les tuyaux de raccordement) qui s'avère défectueuse en raison d'un défaut de matériau ou de fabrication. Pendant la validité de la présente garantie limitée de cinq an, GE Appliances fournira également gratuitement la main d'œuvre et le service pour réparer la pièce défectueuse dans le système fermé du réfrigérateur.

Ce qui n'est pas couvert par GE Appliances :

- Les déplacements à votre domicile pour vous expliquer l'utilisation de ce produit
- Une installation, livraison ou maintenance défectueuse.
- Une panne du produit par abus d'utilisation, par mauvaise utilisation, par modification ou s'il a été utilisé dans un but autre que celui pour lequel il a été fabriqué.
- Le remplacement des fusibles ou le réenclenchement du disjoncteur du domicile.
- Les dommages causés après la livraison.
- Le remplacement des ampoules, si incluses.
- Tout dommage causé par accident, incendie, inondation ou une catastrophe naturelle.
- Tout dommage fortuit ou indirect causé par des défauts éventuels de cet appareil.
- Le service s'il est impossible d'avoir accès au produit.

EXCLUSION DES GARANTIES TACITES

Votre recours exclusif est l'échange du produit suivant les modalités de la Garantie Limitée. Toutes garanties tacites, y compris les garanties de valeurs marchandes ou d'adéquation à des fins particulières, sont limitées à une durée d'un an ou à la durée la plus courte autorisée par la loi.

Pour les clients des États-Unis : Cette garantie limitée est offerte à l'acheteur initial et à tout propriétaire successif de produits à usage domestique à l'intérieur des États-Unis. Si le produit est installé dans une région où ne se trouve aucun réparateur autorisé GE Appliances, vous devrez peut-être assumer les frais de transport ou apporter l'appareil à un centre de service autorisé GE Appliances. En Alaska, la garantie limitée exclut les frais d'expédition ou de service à votre domicile.

Certains états n'acceptent pas d'exclusion ou de limites aux dommages indirects consécutifs. Certains droits particuliers vous sont dévolus en vertu de la présente garantie limitée et peuvent s'accompagner d'autres droits qui varient selon votre lieu de résidence. Pour connaître vos droits juridiques, veuillez consulter le bureau local ou le bureau d'état des affaires aux consommateurs ou le Procureur Général de votre état.

Garant : GE Appliances, a Haier company
Louisville, KY 40225

Pour les clients des Canada: Cette garantie est étendue à l'acheteur d'origine et aux propriétaires suivants pour tout produit acheté aux Canada pour une utilisation domestique aux Canada. Cette garantie limitée vous accorde des droits particuliers et il peut exister d'autres droits qui varient selon l'État ou la province.

Garant Canada: MC Commercial, Inc., Burlington, Ontario, L7R 5B6

Pour bénéficier du service de réparation sous garantie, une preuve de la date d'achat initial est nécessaire.

À la Recherche de Quelque Chose de Plus?

Des panneaux de finition en acier inoxydable avec poignées sont offerts par GE Appliances pour fixation à la machine à glaçons. Les ensembles de panneau sont les suivants :

- ZIP80SS – Porte en acier inoxydable avec poignées style Euro
- PIP70SS - Porte en acier inoxydable avec poignées style Profile
- CIP75SS - Porte en acier inoxydable avec poignées style Café
- CIP75SS - Porte en acier inoxydable avec poignées style Café
- CIP75D1 - Noir mat avec poignée style Café
- CIP75W2 - CIP75W2 – Blanc mat avec poignée style Café

Nous offrons aussi les ensembles de poignée de style Café suivants :

- CXXN1H1PNBT - Poignée noire
- CXXN1H1PNZ - Bronze handle
- CXXN1H1PNCU - Poignée cuivre

REMARQUE : Ces ensembles ne sont que pour la famille d'ensembles de portes CIP.

Pour commander, allez sur le site electromenagersge.ca/fr/produits/filtres-et-accessoires ou composez le **800.661.1616**.

Rallonge de coup-de-pied : Dans certaines situations, les pieds de nivellement seront étendus au point d'être visibles. Un ensemble de rallonge de coup-de-pied est offert pour dissimuler les pieds de nivellement. Le numéro de l'ensemble est WR02X25708. Pour commander, allez sur le site electromenagersge.ca ou composez le **800.661.1616**

Stabilité de l'armoire : Pour certaines installations autonomes, il peut être prudent d'ajouter une ferrure antibasculement qui fixe le derrière de l'armoire au mur. Le numéro de l'ensemble est WR01X25709. Pour commander, allez sur le site electromenagersge.ca ou composez le **800.661.1616**

Conversion du drain : Un drain par gravité peut être converti en pompe de vidange en installant un ensemble de pompe de drainage. Cet ensemble consiste en un pompe de vidange, un faisceau électrique et la tubulure associée. Le numéro de pièce est UPK3. Pour commander, allez sur le site electromenagersge.ca ou composez le **800.661.1616**

Soutien au consommateur

Site Web de GE Appliances

Vous avez une question ou vous avez besoin d'aide pour votre appareil électroménager? Visitez le site Web de GE Appliances 24 heures par jour, tous les jours de l'année! Vous pouvez aussi y trouver d'autres formidables produits GE Appliances et tirer avantage de tous nos services d'assistance en ligne. Aux États-Unis : **GEAppliances.com**
Au Canada : **ElectromenagersGE.ca**

Enregistrez votre électroménager

Enregistrez votre nouvel appareil en ligne au moment qui vous convient le mieux! L'enregistrement de votre produit dans les délais prescrits permet une meilleure communication et un service rapide, selon les modalités de votre garantie, si besoin est. Vous pouvez également envoyer par courrier la carte d'enregistrement pré-imprimée qui se trouve dans l'emballage de votre appareil.

Aux États-Unis : **GEAppliances.com/register**

Au Canada : **Prodsupport.mabe.ca/crm/Products/ProductRegistration.aspx**

Service de réparation

Un service de réparation expert GE Appliances se trouve à quelques pas de chez vous. Rendez-vous sur notre site et programmez, à votre convenance, une visite de réparation à n'importe quel jour de l'année.

Aux États-Unis : **GEAppliances.com/service** ou composez le 800.432.2737 durant les heures normales de bureau.

Au Canada : **Electromenagersge.ca/fr/soutien/demande-de-service** ou composez le 800.561.3344

Prolongation de garantie

Procurez-vous une prolongation de garantie GE Appliances et informez-vous des rabais spéciaux en vigueur pendant la durée de votre garantie. Vous pouvez vous la procurer en ligne en tout temps. Les services GE Appliances seront toujours disponibles après l'expiration de la garantie. Aux États-Unis :

GEAppliances.com/service ou composez le 800.626.2224 durant les heures normales de bureau.

Au Canada : **Electromenagersge.ca/fr/soutien/achat-d-une-garantie-prolongee** ou composez le 866.277.9842

Pièces et accessoires

Les personnes ayant les compétences requises pour réparer elles-mêmes leurs appareils peuvent recevoir directement à la maison des pièces ou accessoires (les cartes VISA, MasterCard et Discover sont acceptées). Commandez en ligne 24 heures par jour.

Aux États-Unis : **GEApplianceparts.com** ou par téléphone au 877.959.8688 durant les heures normales de bureau.

Les instructions contenues dans le présent manuel comportent des procédures que tout utilisateur peut effectuer. Les autres types de réparation doivent généralement être confiés à un technicien qualifié. Utilisez de prudence : une réparation ou un entretien mal effectués peuvent rendre l'utilisation de l'appareil dangereuse.

Les consommateurs au Canada doivent consulter les pages jaunes pour connaître le centre de service Mabe le plus proche, visiter notre site Web au **Electromenagersge.ca/fr/produits/filtres-et-accessoires** ou composer le 1.800.661.1616.

Communiquez avec nous

Si vous n'êtes pas satisfait du service après-vente de GE Appliances, communiquez avec nous depuis notre site Web en fournissant tous les détails dont votre numéro de téléphone, ou écrivez à :

Aux États-Unis : General Manager, Customer Relations | GE Appliances, Appliance Park | Louisville, KY 40225

GEAppliances.com/contact

Au Canada : Director, Consumer Relations, Mabe Canada Inc. | Suite 310, 1 Factory Lane | Moncton, N.B. E1C 9M3

Electromenagersge.ca/fr/contactea-nous



MÁQUINA DE HIELO

INSTRUCCIONES DE SEGURIDAD3

USO DE LA MÁQUINA DE HIELO

Embalaje5

Controles5

Funciones6

Activación de la Máquina de Hielo6

INSTRUCCIONES DE INSTALACIÓN

Conexión a Tierra de la Máquina de Hielo7

Antes de Empezar7

Ubicación y Preparación7

Planificación Avanzada9

Dimensiones10

Apertura de la Puerta 11

Panel de la Puerta 12

Instrucciones para Invertir la Posición de la Manija14

Plomería14

Colocación de la Máquina de Hielo15

CUIDADO Y LIMPIEZA 16

SOLUCIONAR PROBLEMAS 19

GARANTÍA LIMITADA 20

ACCESORIOS21

SERVICIO AL CONSUMIDOR ...22

MANUAL DEL PROPIETARIO E INSTRUCCIONES DE INSTALACIÓN

UNC15

Escriba los números de modelo y de serie aquí:

Nº de Modelo _____

Nº de Serie _____

Busque estos números en una etiqueta en el revestimiento de la caja interna superior de la unidad sobre el frente.

GRACIAS POR HACER QUE GE APPLIANCES SEA PARTE DE SU HOGAR.

Ya sea que haya crecido usando GE Appliances, o que ésta es su primera vez, nos complace tenerlo en la familia.

Sentimos orgullo por el nivel de arte, innovación y diseño de cada uno de los electrodomésticos de GE Appliances, y creemos que usted también. Entre otras cosas, el registro de su electrodoméstico asegura que podamos entregarle información importante del producto y detalles de la garantía cuando los necesite.

Registre su electrodoméstico GE ahora a través de Internet. Sitios Web y números telefónicos útiles están disponibles en la sección de Soporte para el Consumidor de este Manual del Propietario.

También puede enviar una carta en la tarjeta de inscripción preimpresa que se incluye con el material embalado.



GE APPLIANCES

INFORMACIÓN IMPORTANTE DE SEGURIDAD

LEA TODAS LAS INSTRUCCIONES ANTES DE USAR

⚠️ ADVERTENCIA

A fin de reducir el riesgo de incendio, explosión, descargas eléctricas o lesiones al usar su refrigerador, siga estas precauciones básicas de seguridad:

- Esta máquina de hielo se deberá instalar y ubicar adecuadamente de acuerdo con las Instrucciones de Instalación antes de ser usado.
- Desenchufe la máquina de hielo antes de hacer reparaciones, reemplazar una lámpara de luz o hacer una limpieza.
NOTA: La corriente que va al refrigerador no puede ser desconectada por ninguna configuración del panel de control.
NOTA: Las reparaciones deberán ser realizadas por un Profesional del Servicio Técnico calificado.
- Reemplace todas las piezas y paneles antes del uso.
- No guarde ni use gasolina u otros vapores inflamables y líquidos cerca de este u otros electrodomésticos.
- Debido a los posibles riesgos sobre la seguridad bajo ciertas condiciones, recomendamos enfáticamente no usar prolongadores. Sin embargo, si se debe usar un prolongador, es absolutamente necesario que sea un prolongador para electrodoméstico de la lista UL (en Estados Unidos) o uno certificado por CSA (en Canadá), de 3 cables con conexión a tierra, que cuente con un enchufe con conexión a tierra y un tomacorriente con una graduación eléctrica del cable de 15 amperes (mínimo) y 120 volts.
- A fin de evitar riesgos de que los niños sufran asfixia o queden atrapados, retire la tapa de cualquier electrodoméstico antes de deshacerse o dejar de usar el mismo.
- No permita que los niños se trepen, paren o cuelguen de la manija de la puerta del electrodoméstico. Podrían sufrir lesiones graves.
- El limpiador de sarro de la máquina de hielo contiene ácidos. Los ácidos pueden producir quemaduras. Si un limpiador concentrado entra en contacto con la piel, limpie el mismo con agua. Si se traga, NO induzca el vómito. Tome grandes cantidades de agua o leche. Llame al Médico de inmediato. Mantenga los mismos fuera del alcance de los niños.

⚠️ PRECAUCIÓN

A fin de reducir el riesgo de lesiones al usar el electrodoméstico, siga estas precauciones básicas de seguridad.

- Mantenga los dedos fuera de los espacios de "riesgo de lastimaduras"; los despejes entre las puertas y entre las puertas y el gabinete son necesariamente pequeños. Tenga el cuidado de cerrar las puertas cuando los niños se encuentren en el área.
- Evite el contacto con las partes móviles del mecanismo eyector y/o con el elemento de calefacción que libera los cubos. No coloque los dedos ni las manos en el mecanismo de la máquina de hielo automática mientras la misma esté enchufada.

INSTALACIÓN

⚠️ ADVERTENCIA



RIESGO DE EXPLOSIÓN

Mantenga cualquier material y vapores inflamables, tales como gasolina, alejados del electrodoméstico. Si no se cumple con esto se podrá producir una explosión, incendio o la muerte.

LEA Y GUARDE ESTAS INSTRUCCIONES

INFORMACIÓN IMPORTANTE DE SEGURIDAD LEA TODAS LAS INSTRUCCIONES ANTES DE USAR

AVISO DE USO EN ÁREAS EXTERIORES

EVITE EL CONGELAMIENTO: La unidad podrá sufrir daños graves si se deja o utiliza a temperaturas que superan los límites que figuran en este manual. Dicho **daño NO está cubierto por la garantía.**

MANTÉNGALA SECA: No la ubique en áreas bajas donde se produzcan charcos.

CUENTE CON SOMBRA: El calor del sol reducirá la capacidad de la unidad de fabricar y almacenar el hielo, y la radiación ultravioleta del sol puede potencialmente dañar los componentes plásticos de la unidad.

SUMINISTRO DE AGUA: Evite que la manguera o la tubería queden expuestas al sol durante mucho tiempo. La tubería plástica de suministro de agua debe estar calificada para uso con agua potable e incluir la protección contra los rayos UV. Se recomienda el uso de tuberías de cobre.

PREVENCIÓN CONTRA EL REFLUJO: La unidad incluye prevención contra el reflujo; no se requiere ningún control de válvulas adicional.

DESAGÜE: NO realice el desagüe en una piscina ni en el suelo.

CONEXIÓN DE LA ELECTRICIDAD

⚠ ADVERTENCIA



RIESGO DE DESCARGA ELÉCTRICA.

Enchufe en un tomacorriente con conexión a tierra de 3 cables.

No elimine el cable de conexión a tierra.

No use un adaptador.

Si no se siguen estas instrucciones se podrá producir a muerte, incendios o descargas eléctricas.

Nunca, bajo ninguna circunstancia, corte o elimine el tercer cable (tierra) del cable de corriente.

Para su seguridad personal, este electrodoméstico debe estar adecuadamente conectado a tierra.

El cable de corriente de este electrodoméstico contiene un enchufe de 3 cables (conexión a tierra) que se conecta a un tomacorriente de pared estándar de 3 cables (conexión a tierra) para minimizar la posibilidad de riesgos de descargas eléctricas por parte del mismo.

Contrate a un electricista calificado para que controle el tomacorriente y el circuito eléctrico, a fin de asegurar que el enchufe esté correctamente conectado a tierra.

En caso de contar con un tomacorriente de pared de 2 cables, es su responsabilidad y obligación reemplazarlo por un tomacorriente de pared de 3 cables correctamente conectado a tierra. No use un adaptador.

La máquina de hielo siempre debe estar enchufada en su propio circuito de 115 voltios, 60 Hz, 15 amp. Esto garantiza el mejor funcionamiento y además previene la sobrecarga de los circuitos del hogar, lo cual podría ocasionar riesgos de incendio debido al recalentamiento de cables.

Nunca desenchufe la máquina de hielo tirando del cable de corriente. Siempre tome su enchufe firmemente y empuje el mismo hacia afuera para retirarlo.

Repare o reemplace de inmediato todos los cables de corriente pelados o con cualquier tipo de daño. No use un cable con cortaduras o abrasión sobre su extensión o extremos.

Al mover la máquina de hielo, se deberá tener cuidado de que no ruede sobre ni dañe el cable de corriente.

FORMA ADECUADA DE DESCARTAR SU ANTIGUO ELECTRODOMÉSTICO

⚠ ADVERTENCIA

RIESGO DE QUE LOS NIÑOS SUFRAN ASFIXIA O Y QUEDEN ATRAPADOS

Retire la puerta del electrodoméstico antes de descartar el mismo. Si esto no se realiza, los niños podrán quedar atrapados y ocasionar la muerte o daño cerebral.

IMPORTANTE: Que un niño quede atrapado o que sufra una asfixia no son problemas del pasado. Los refrigeradores antiguos o abandonados aún son peligrosos, incluso aunque se conserven por "sólo unos pocos días". Si se deshará de su antiguo refrigerador, siga las siguientes instrucciones a fin de evitar accidentes.

Antes de Descartar su Antiguo Electrodoméstico:

- Retire las puertas.

- Deje los componentes internos en su lugar de modo que los niños no puedan trepar dentro con facilidad.

Refrigerantes

Todos los productos de refrigeración cuentan con refrigerantes, que de acuerdo con la ley federal deberán ser eliminados antes de descartar el producto. Si se deshará de un producto de refrigeración antiguo, consulte a la compañía a cargo sobre cómo deshacerse del mismo

LEA Y GUARDE ESTAS INSTRUCCIONES

Embalaje

Retire el embalaje

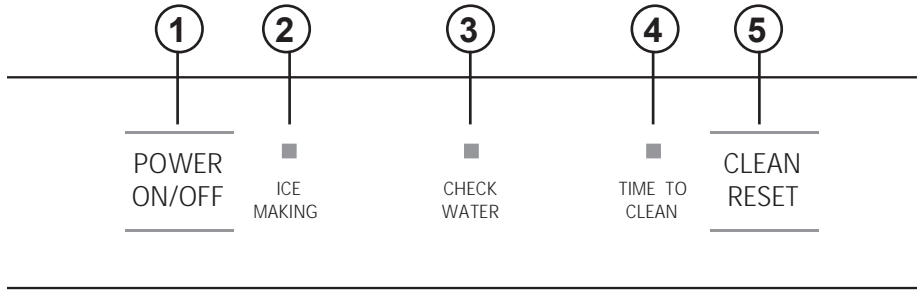
IMPORTANTE: No retire ninguna etiqueta de instrucciones permanente dentro de la máquina de hielos ni la Ficha Técnica colocada detrás del panel de acceso inferior.

- Retire la cinta y cualquier etiqueta de su máquina de hielo antes del uso (excepto la etiqueta del modelo y el número de serie).

Para retirar cualquier cinta o pegamento que haya quedado, frote el área vivamente con su pulgar. Los residuos de cinta o pegamento se pueden retirar fácilmente frotando con los dedos una cantidad pequeña de jabón líquido para lavar platos sobre el adhesivo. Limpie con agua caliente y seque.

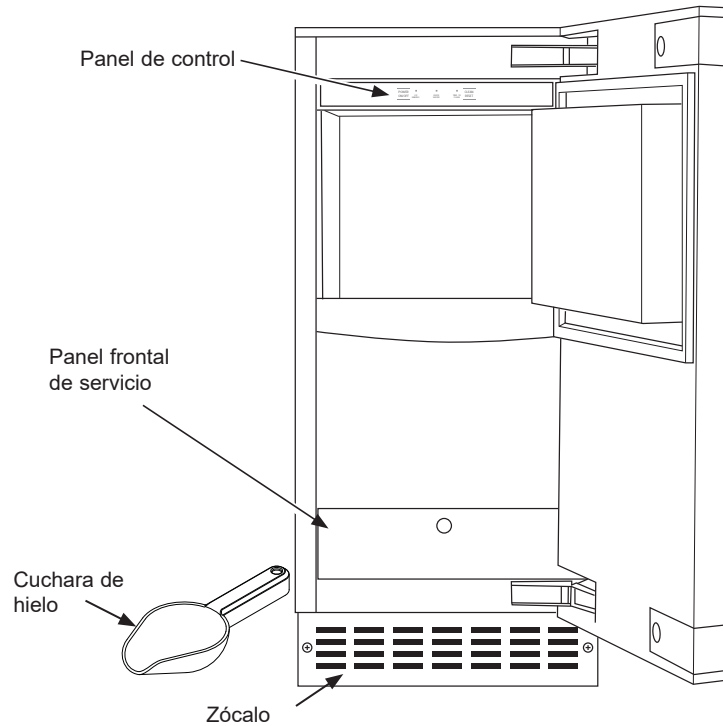
- No use instrumentos puntiagudos, no frote alcohol, no use líquidos inflamables, ni limpiadores abrasivos para retirar cinta o pegamento. Estos productos pueden dañar la superficie de la máquina de hielo. Para más información, lea la sección de Instrucciones Importantes de Seguridad.

Controles



- 1. POWER ON/OFF (Encender/ Apagar)** – Active esta función para encender o apagar la máquina de hielo.
- 2. ICE MAKING (Producción de Hielo)** – Brilla en blanco cuando la unidad está en ON (Encender).
- 3. CHECK WATER (Controlar el Agua)** – Brilla en rojo cuando no hay suministro de agua a la máquina.
- 4. TIME TO CLEAN (Hacer la Limpieza)** – Brilla en amarillo cuando es el momento de limpiar la máquina. La luz se encenderá luego de 6 meses de uso. Permanecerá encendida hasta que el sistema de la máquina de hielo sea limpiado utilizando el proceso de la sección de Cuidado y Limpieza.
- 5. CLEAN RESET** – Se presiona con el botón Power (Encender) durante 5 segundos para iniciar el proceso de limpieza (consulte la sección de Cuidado y Limpieza).

Funciones

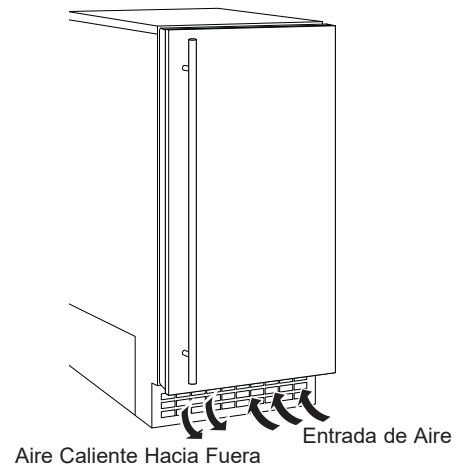


Activación de la máquina de hielo

Esta máquina hace entrar el aire de la temperatura ambiente por la parte inferior derecha frontal y hace salir el aire caliente por la parte inferior izquierda frontal. Restringir el flujo de aire o utilizar la máquina en un ambiente caliente o frío afectará de forma adversa la habilidad de la máquina de hielo para realizar la producción.

Cuando la puerta es abierta, el panel de control, el área para hacer hielo y la hielera están visibles. La cuchara está ubicada en un recipiente junto a la pared derecha.

Se trata de un modelo de desagüe por gravedad que debe contar con una conexión de desagüe del edificio por debajo del nivel del tubo de drenaje en la parte trasera del gabinete. Una bomba puede ser instalada, la cual puede forzar el desagüe hasta un máximo de 10 pies, permitiendo su colocación donde el desagüe por gravedad no está disponible. Para más información sobre la bomba de desagüe, consulte la sección de **Accesorios** en la página 21.



Inicio

1. Abra el suministro de agua.
2. Encienda la corriente eléctrica.
3. Presione y libere el botón ON/OFF (Encender/ Apagar) para iniciar la máquina. La luz ICE MAKING (Producción de Hielo) junto al interruptor de encendido/ apagado brillará en blanco.

La máquina de hielo tardará aproximadamente 10 minutos en comenzar a producir hielo en pepitas sobre la hielera. Es normal que ese hielo se derrita y que continúe derritiéndose pero a un ritmo más lento a medida que la hielera se enfría. La hielera tardará en llenarse entre 6 y 7 horas. La capacidad de la hielera es de aproximadamente 20 libras una vez llena.

Descarte la primera producción de hielo.

Instrucciones de Instalación

MÁQUINA DE HIELO

Si tiene preguntas, llame al 1.800.GE.CARES o bien visite nuestra página Web: GEAppliances.com

CONEXIÓN A TIERRA DE LA MÁQUINA DE HIELO

⚠️ ADVERTENCIA Riesgo de Descarga Eléctrica.

Si no se siguen estas instrucciones se podrá producir a muerte, incendios o descargas eléctricas.

El cable de corriente de este electrodoméstico contiene un enchufe de 3 cables (conexión a tierra) que se conecta a un tomacorriente de pared estándar de 3 cables (conexión a tierra) para minimizar la posibilidad de riesgos de descargas eléctricas por parte del mismo.

Contrate a un electricista calificado para que controle el tomacorriente y el circuito eléctrico, a fin de asegurar que el enchufe esté correctamente conectado a tierra.

En caso de contar con un tomacorriente de pared de 2 cables, es su responsabilidad y obligación reemplazarlo por un tomacorriente de pared de 3 cables correctamente conectado a tierra.

NUNCA, BAJO NINGUNA CIRCUNSTANCIA, CORTE O ELIMINE EL TERCER CABLE (TIERRA) DEL CABLE DE CORRIENTE.

NO USE UN ENCHUFE ADAPTADOR PARA CONECTAR EL ELECTRODOMÉSTICO A UN TOMACORRIENTE DE 2 PATAS.

NO USE UN PROLONGADOR CON ESTE ELECTRODOMÉSTICO.

ANTES DE EMPEZAR

Lea estas instrucciones completa y cuidadosamente.

- **IMPORTANTE** — Observe todos los códigos y órdenes de ley. Guarde estas instrucciones para uso del inspector local.
- **Nota al instalador** – Asegúrese de dejar estas instrucciones con el consumidor.
- **Nota al consumidor** – Conserve estas instrucciones para referencia futura.
- **Nivel de destreza** – La instalación de este aparato requiere de destrezas mecánicas básicas.
- **Tiempo de ejecución** – La instalación puede variar 30 minutos para la Instalación de la Tubería de Agua
- La instalación apropiada es la responsabilidad del instalador.
- La falla del producto debido a una instalación inadecuada no está cubierta por la garantía.

UBICACIÓN Y PREPARACIÓN DE LA MÁQUINA DE HIELO

Esta máquina de hielo fue diseñada para uso interior, en un ambiente controlado o en exterior dentro de ciertos límites.

Está compuesta por dos sistemas principales: el sistema de producción de hielo y el sistema de almacenamiento de hielo. El sistema de producción de hielo es un flujo continuo que fabrica hielo cuando el nivel de hielo es bajo y se detiene cuanto está completo.

El sistema de almacenamiento de hielo es un espacio aislado con un desagüe en su parte inferior para derretir hielo. No está refrigerado, de modo que la hielera cuente con hielo fresco.

Durante la producción de hielo, caerán pepitas de hielo en la hielera a un ritmo irregular; a veces habrá poco hielo mientras que otras veces caerá un grupo de pepitas.

IMPORTANT: Nunca guarde nada en la hielera que no sea hielo. Los objetos como las botellas de vino o cerveza no sólo son antihigiénicas, sino que también sus etiquetas se pueden salir y bloquear el desagüe.

IMPORTANT: Nunca permita que una máquina funcione sin una limpieza regular. La máquina tendrá una mayor durabilidad si se mantiene limpia. Se deberá realizar una limpieza regular por lo menos cada un año, y preferentemente dos. Algunas condiciones del agua harán que sea necesaria incluso una frecuencia de limpieza mayor de la sección de producción de hielo, y algunas alfombras o mascotas harán que sea necesaria una frecuencia de limpieza mayor del condensador.

Especificaciones

La máquina de hielo funcionará de forma adecuada dentro de los límites, pero funciona mejor entre las temperaturas de 60°F y 80°F

- Temperatura mínima del aire: 50°F (10°C)
- Temperatura máxima del aire 100°F (38°C)
- Temperatura mínima del agua: 40°F (4.5°C)
- Temperatura máxima del agua 90°F. (32°C)
- Presión mínima del agua: 20 psi (1.4 bar)
- Presión máxima del agua: 80 psi (5.5 bar)

Límites de voltaje eléctrico:

Lea la Etiqueta de Calificación dentro de la máquina de hielos

Instrucciones de instalación

UBICACIÓN Y PREPARACIÓN DE LA MÁQUINA DE HIELO (Cont.)

Requisitos y Servicios Públicos y Funcionamiento

- Esta máquina de hielo debe estar conectada a un suministro de agua potable.
- El suministro de agua potable debe contar con una conductividad de por lo menos 10 microSiemens/cm.

El agua hacia esta máquina de hielo debe ser potable, o estar apta para consumo humano. Durante la producción de hielo, algunos minerales se adherirán a los componentes de producción de hielo. Cuanto mayor sea el contenido mineral, mayor acumulación de minerales habrá. Los filtros de agua brindan una ayuda parcial, ya que eliminan los sólidos suspendidos, pero el tratamiento del agua es necesario para los sólidos disueltos, que son parte del agua y no pueden ser filtrados. Recomendamos el uso de un Filtro de Agua de GE Appliances en su tubería de entrada de agua tal como el Modelo de GE Appliances Número GXRLQ. Para revisar las instrucciones de instalación y determinar qué filtro será el adecuado para su aplicación, visite GEAppliances.com.

Esta máquina puede ser suministrada con agua por ósmosis inversa, pero la conductividad del agua no debe ser inferior a 10 microSiemens/cm. Un sistema de ósmosis inversa debe incluir un tratamiento posterior o combinación para satisfacer la potencial agresividad del agua por ósmosis inversa.

El agua desionizada no es recomendable y puede dañar la máquina.

Debido a que los ablandadores de agua intercambian un mineral por otro, es posible que el agua ablandada no mejore las condiciones del agua cuando se use con máquinas de hielo.

- Presión mínima del agua: 20 psi
- Presión máxima del agua: 80 psi
- Temperatura mínima del agua: 40°F
- Temperatura máxima del agua: 90°F.

Esta máquina de hielo fue diseñada para funcionar en una amplia variedad de temperaturas de aire con una temperatura mínima de 50°F y una temperatura máxima de 100°F.

Aunque la máquina funcionará dentro de los rangos listados, funciona mejor a temperaturas de agua de entre 50°F y 60°F y a temperaturas de aire de entre 60°F y 80°F.

NOTA: La capacidad de producción de hielo desciende a medida que la temperatura del ambiente se incrementa, y se ve severamente reducida en temperaturas superiores a 90°F.

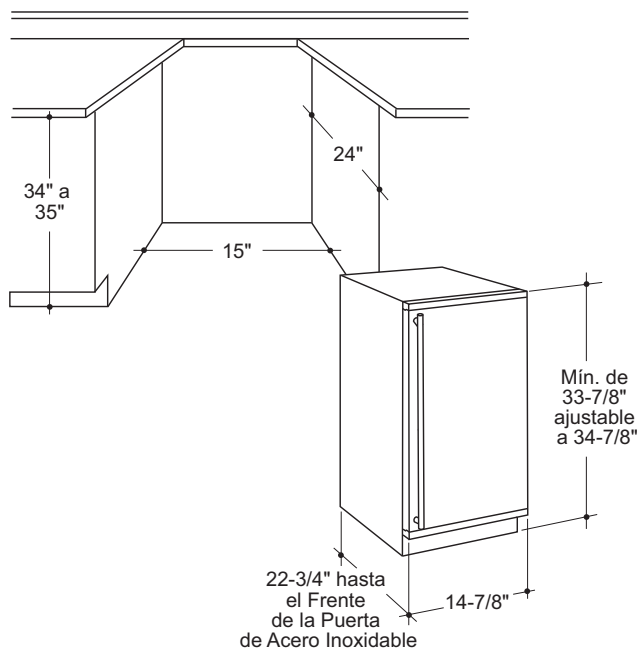
Utilizar una unidad fuera de los límites puede ocasionar problemas que no son cubiertos por la garantía y, en casos extremos, causar daños sobre la unidad.

Esta máquina puede ser empotrada en un gabinete. Es un sistema de refrigeración por aire frío. El aire fluye hacia dentro y fuera del mismo a través de la rejilla en la parte inferior frontal. La rejilla no debe ser bloqueada por ningún piso cobertor o cualquier otra obstrucción.

PLANIFICACIÓN AVANZADA

⚠ PRECAUCIÓN Debido a un peso excesivo, SE REQUIERE QUE DOS PERSONAS MUEVAN E INSTALEN ESTA máquina de hielo. Si esto no se cumple, se podrán producir lesiones en la espalda u otras heridas.

DIMENSIONES DEL PRODUCTO Y ESPACIO



Notas de Instalación

Una bomba de desagüe está disponible para esta máquina de hielo. El número del kit de la bomba de desagüe es UPK3 y está disponible en GEApplianceparts.com o llamando al 877-959-8688. En Canadá, visite GEAppliances.ca o comuníquese al 800.661.1616.

Instalación Empotrada: Si un piso con terminación será instalado en el área luego de haber empotrado la máquina de hielo, se deberán instalar cuñas del grosor del piso que se colocará debajo de la unidad, a fin de mantener la máquina nivelada con el nivel del piso planificado.

NOTA: La conexión del agua está en la parte trasera y suma unas pocas pulgadas a la profundidad del gabinete.

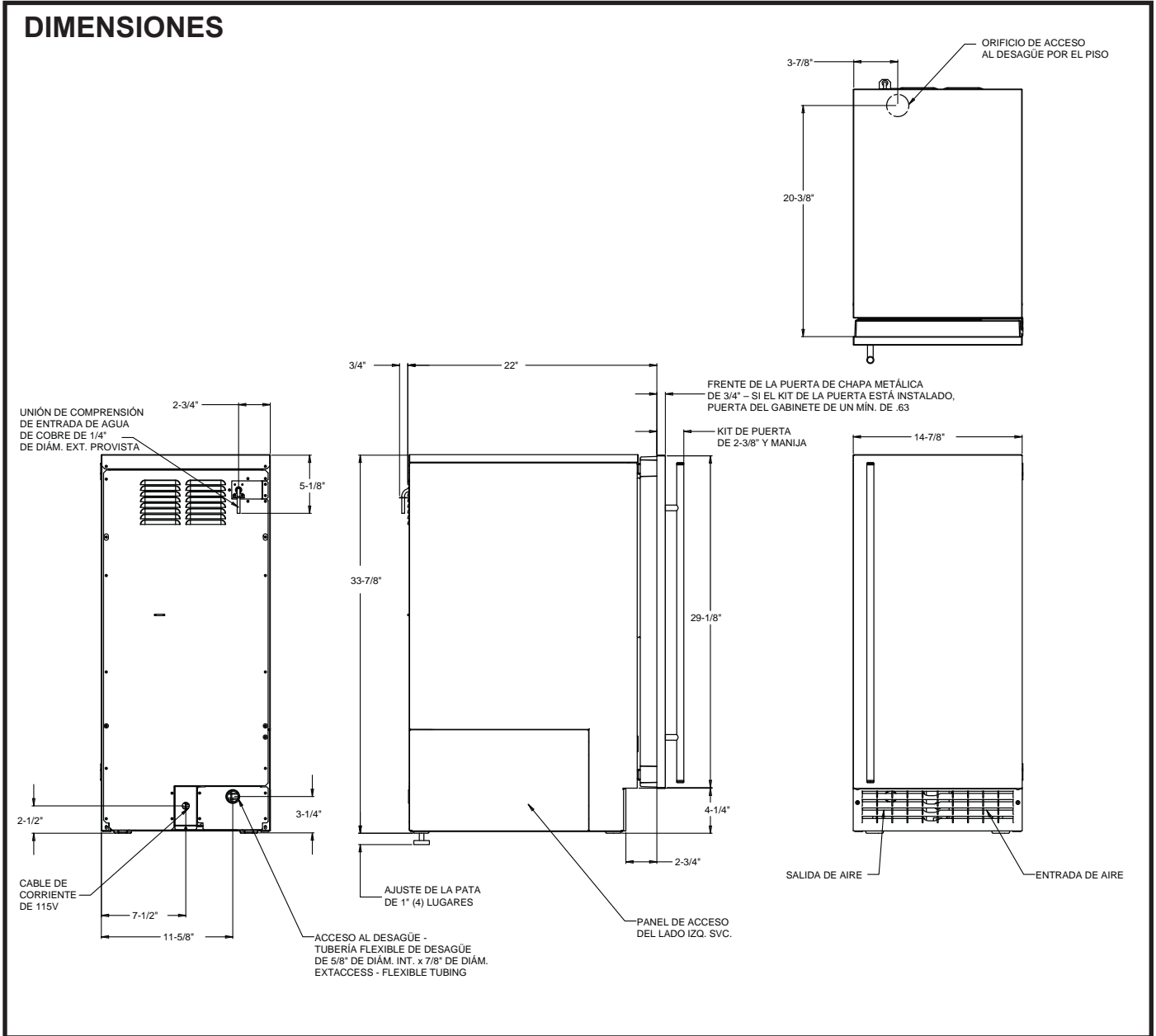
Instalación sobre una losa: Necesitará instalar una bomba de desagüe al electrodoméstico y bombear el agua hasta el punto de desagüe. Consulte la sección de Accesorios. Las bombas bombearán hasta una altura de 1 piso (10 pies).

Instalación en un entrepiso o sótano: Se podrá usar el desagüe por gravedad o una bomba. Para usar una bomba, consulte la sección de Accesorios. Si no hay suficiente espacio detrás de la máquina para un receptáculo de desagüe/desechos, el desagüe deberá estar por debajo del piso.

NOTA: Cuando se instale en un rincón, es posible que la apertura de la puerta se vea limitada debido al contacto de la manija con la pared o la cara del gabinete.

Es necesario contar con un suministro de agua. Los suministros de agua varían en el grado del contenido mineral. El agua con alto nivel de contenido mineral requerirá un mantenimiento más frecuente. La filtración del agua puede mejorar el gusto del hielo y también reducir parte de la acumulación de minerales.p.

Instrucciones de instalación

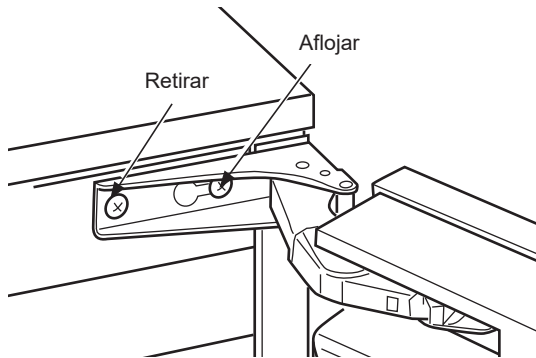


APERTURA DE LA PUERTA

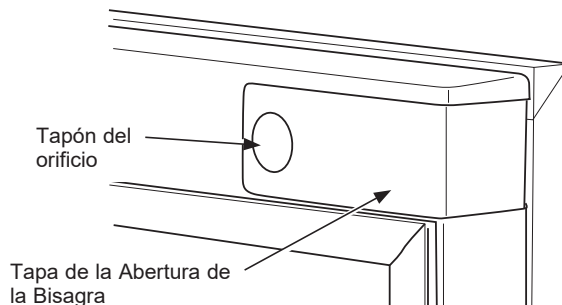
Mover las bisagras permite que la puerta se abra ya sea desde la izquierda o la derecha. Cambie la apertura ANTES de adherir el panel de la puerta.

Para hacer un cambio:

1. Abra la puerta. Retire los 4 tornillos de acero inoxidable del lado opuesto a las bisagras frente al gabinete.
2. Retire el tornillo que está más adentro sosteniendo cada bisagra al gabinete. Afloje el otro tornillo.



3. Deslice la puerta hacia el costado de modo que la cerradura en la bisagra deje el tornillo, y retire la misma del gabinete.
4. Retire los tornillos que fueron aflojados y guarde los mismos. Instale los 4 tornillos de acero inoxidable que fueron retirados en el Paso 1 en los agujeros abiertos del gabinete que se dejó, retirando la bisagra.
5. Retire el tapón del orificio y las tapas de las aberturas de las bisagras de la puerta (si corresponde).



6. Retire los tapones de los orificios o los tornillos de las nuevas ubicaciones de las bisagras de la unidad (si corresponde). Deje las mismas a un costado.
7. Instale los 2 tornillos de la bisagra retirados una vez que la puerta fue retirada del gabinete en los agujeros más alejados del nuevo lado de la bisagra del gabinete. Atornillo los mismos sólo media vuelta.
8. Retire la bisagra superior de la puerta y mueva la misma hacia el lado opuesto de la puerta, en la ubicación inferior. Asegure la misma usando los tornillos originales.

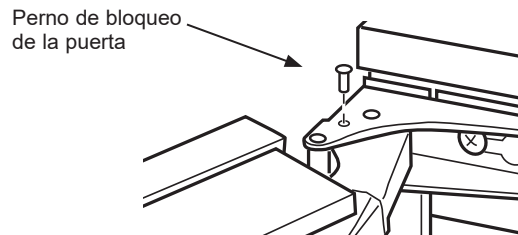
NOTA: Si el panel de la puerta está adherido, debe ser retirado para acceder a los tornillos de la bisagra y para invertir la posición de la manija.

9. Retire la bisagra inferior original y mueva la misma hacia el lado opuesto de la puerta, en la ubicación superior. Asegure la misma usando los tornillos originales.

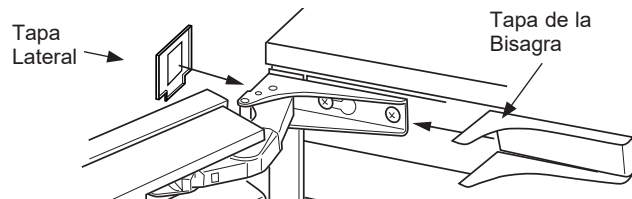
IMPORTANTE: Si instalará un panel para puerta de acero inoxidable o un panel estándar, pase a la sección de **INSTALACIÓN DEL PANEL DE LA PUERTA**.

10. Instale las tapas de los bolsillos y tapones de los orificios en la puerta.
11. Instale la ranura de la cerradura en la bisagra sobre el tornillo más alejado, superior e inferior, y deslice la puerta en el gabinete.
12. Adhiera la puerta al gabinete usando los tornillos originales. Ajuste los 4 tornillos.

IMPORTANTE: En algunas situaciones, la puerta se puede abrir demasiado y dañar los gabinetes adyacentes. A fin de evitar esto, inserte un Perno de Bloqueo (incluido en el paquete de herramientas) en el agujero provisto en las bisagras superior e inferior. Coloque el perno en el agujero hasta que la cabeza quede alineada con la bisagra.



13. Deslice las tapas de las bisagras del paquete de herramientas sobre cada bisagra.



14. Adhiera las tapas laterales del paquete de herramientas sobre la bisagra, retirando la tapa sobre el adhesivo y colocando la misma sobre el costado de la bisagra.

NOTA: Si la unidad será empotrada, se podrá usar un tornillo para asegurar la misma al gabinete en lugar de instalar las tapas laterales.

Instrucciones de instalación

INSTALACIÓN DEL PANEL DE LA PUERTA

La máquina de hielo es provista sin una cobertura convencional para puerta, permitiendo adherir un panel para puerta o un panel personalizado.

NOTA: Si la dirección de la puerta puede ser modificada, será necesario realizar la misma **ANTES** de adherir el panel de la puerta.

Panel de la Puerta

Están disponibles paneles acabados para puertas con manijas a través de GE Appliances, los cuales se pueden adherir a la máquina de hielo. Consulte la sección de **Accesorios** en la página 21.

Un panel estándar de madera u otro material que no supere las 15 libras puede ser usado y se deberán seguir las siguientes pautas:

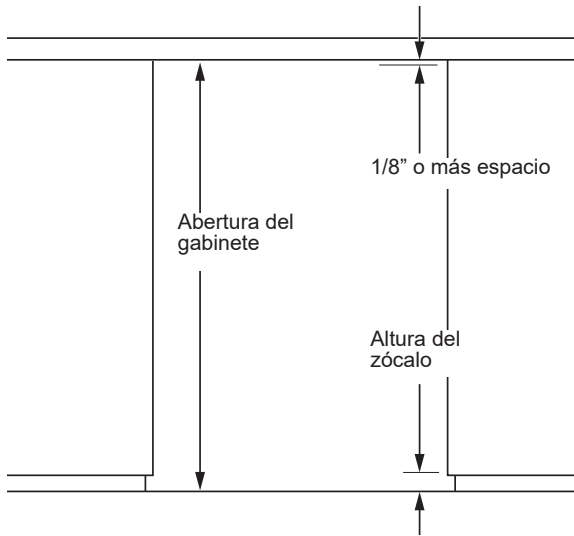
ancho: 14 7/8"

alto: entre 29 5/8" y 30 5/8"

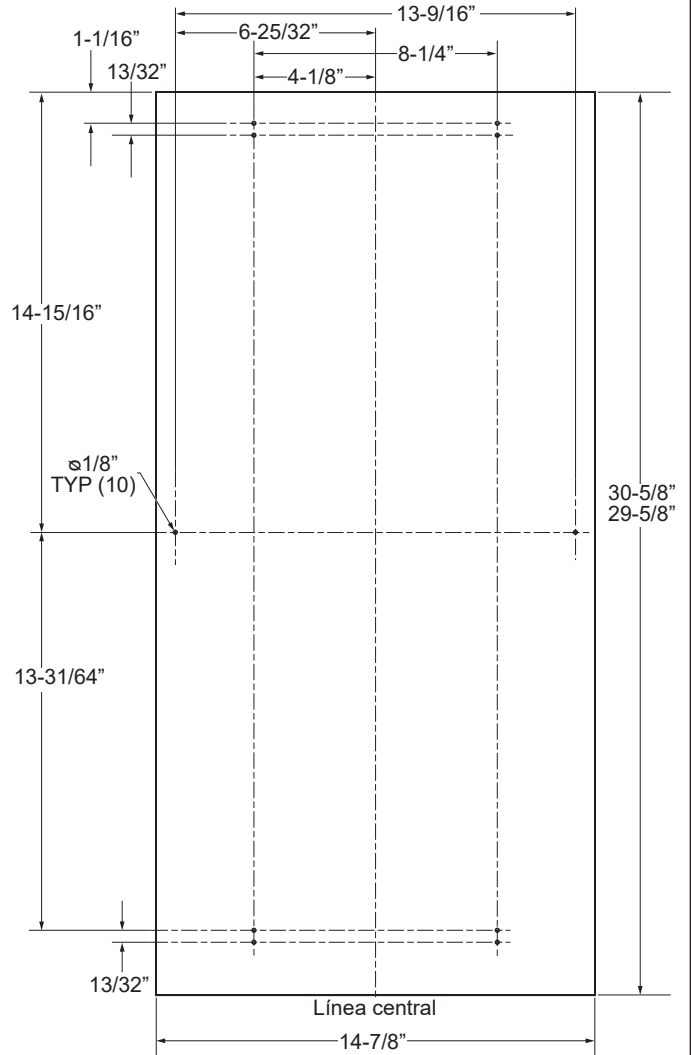
grosor: 5/8" a 3/4"

Para Panel Estándar:

1. Mida la altura general de la abertura del gabinete donde la máquina de hielo será instalada (desde el piso hasta la parte inferior del extremo de la mesada).
2. Determine la altura deseada del zócalo (parte inferior de la puerta hasta el piso). Esto puede equivaler a la altura del zócalo del gabinete adyacente.
3. El espacio entre la mesada y la parte superior de la máquina de hielo debe ser de por lo menos 1/8".
4. Reste la altura del zócalo y el espacio desde la altura de la apertura para determinar la altura de su panel de puerta estándar.



5. Corte el panel hasta el ancho y alto especificados.
6. Determine la parte superior del panel. Mida y marque las ubicaciones de los orificios.
7. Haga agujeros piloto en la parte trasera del panel sobre sus marcas. Use un bloqueo para la perforadora, a fin de evitar perforar el panel.



INSTALACIÓN DEL PANEL DE LA PUERTA (Cont)

Si se modificará la apertura de la puerta, complete este paso antes de instalar el panel de la puerta. Lea la página 11. Dependiendo del kit para puertas que se instalará, es posible que sea necesario dar vuelta la manija de la puerta si se modificará la posición de apertura de la misma. Por favor, consulte sobre cómo dar vuelta la manija de la puerta en las instrucciones que figuran en la página 14.

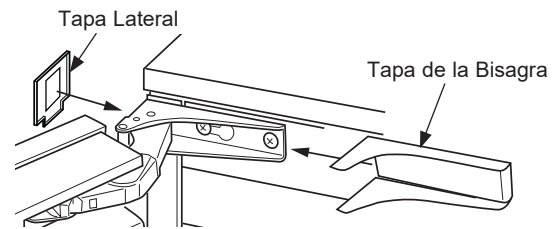
Adherencia del Panel de la Puerta

El panel será sostenido por 6 tornillos para chapa metálica y 2 tornillos para metal.

1. Retire la junta del interior de la puerta o conserve la misma para uso posterior.
2. Retire cualquier cobertura plástica que esté recubriendo el panel de acero inoxidable.
3. Coloque el panel de la puerta sobre la parte exterior de la puerta y asegure el mismo con 2 tornillos para metal en el centro izquierdo y en el centro derecho de la puerta.
4. Ajuste el panel a la puerta usando 6 tornillos para chapa metálica. En el área de apertura opuesta al lado donde se encuentran las bisagras, use los agujeros para tornillos más alejados únicamente.
5. Coloque las tapas sobre las áreas de apertura de las bisagras y asegure cada tapa a la puerta usando un tornillo para chapa metálica y una arandela.
6. Inserte el tapón del orificio sobre el tornillo instalado en el paso 5.
7. Vuelva a colocar la junta en su posición original.
8. Adhiera la puerta al gabinete usando los tornillos originales.

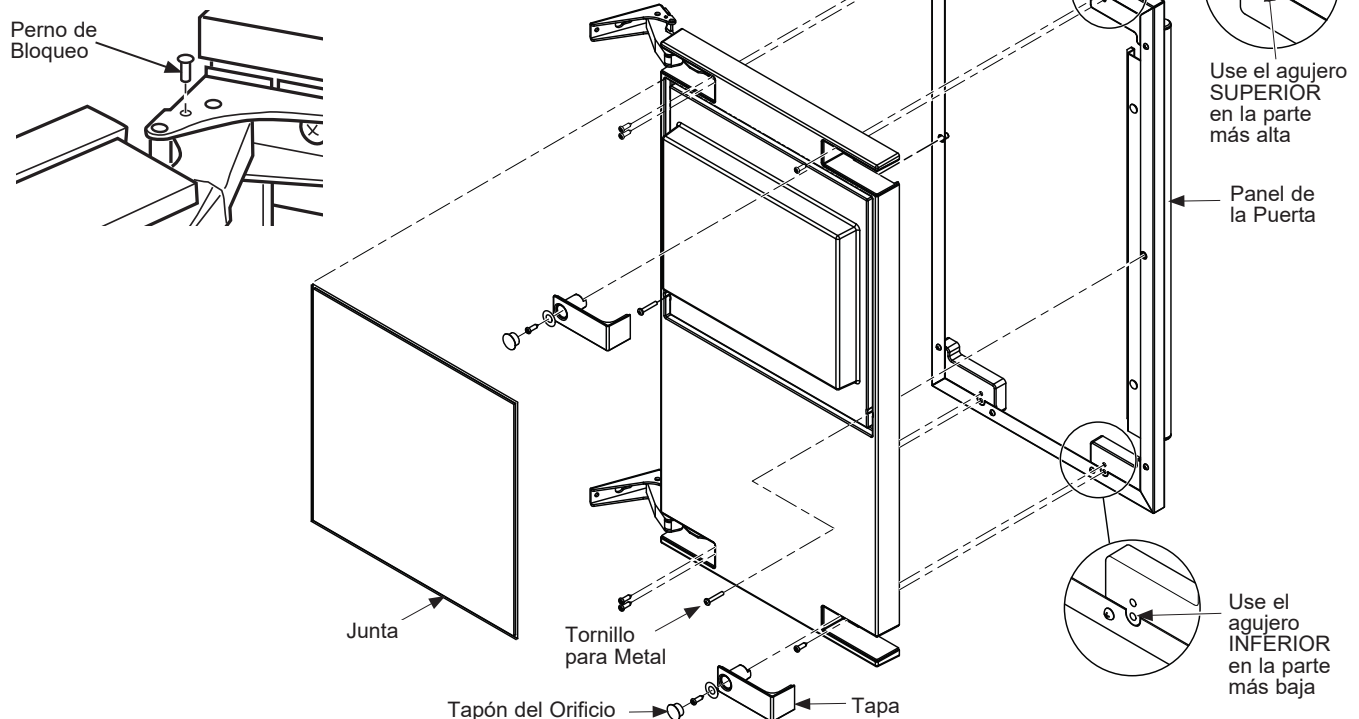
IMPORTANTE: En algunas situaciones, la puerta se puede abrir demasiado y dañar los gabinetes adyacentes. A fin de evitar esto, inserte un Perno de Bloqueo (incluido en el paquete de herramientas) en el agujero provisto en las bisagras superior e inferior. Coloque el perno en el agujero hasta que la cabeza quede alineada con la bisagra.

9. Deslice las tapas de las bisagras del paquete de herramientas sobre cada bisagra.
10. Adhiera las tapas laterales del paquete de herramientas sobre la bisagra, retirando la tapa sobre el adhesivo y colocando la misma sobre el costado de la bisagra.



NOTA: Si la unidad será empotrada, se podrá usar un tornillo para asegurar la misma al gabinete en lugar de instalar las tapas laterales.

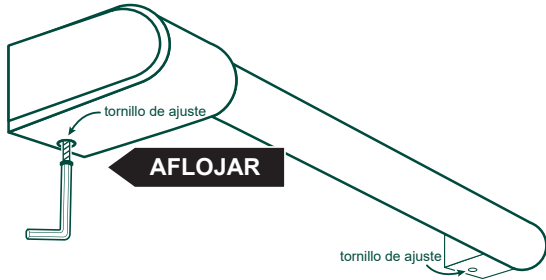
11. Vuelva a colocar el zócalo y el panel de servicio frontal a sus posiciones originales y adhiera los mismos al gabinete usando los tornillos originales.



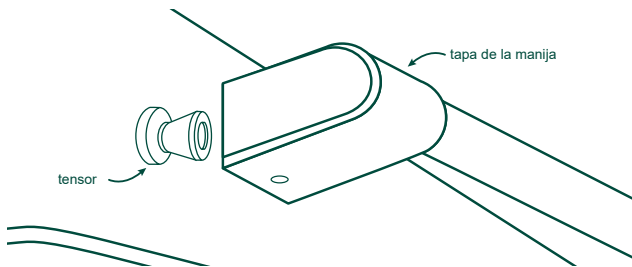
Instrucciones de instalación

INSTRUCCIONES PARA INVERTIR LA POSICIÓN DE LA MANIJA

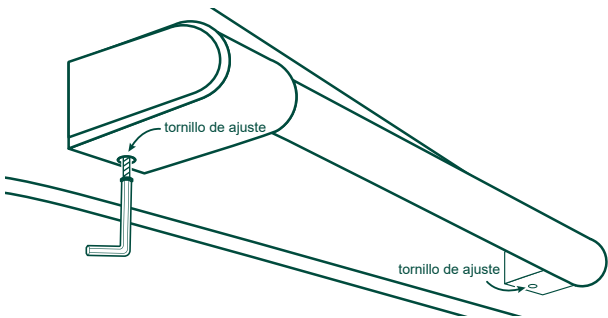
1. Retire la llave Allen del sobre del kit de tornillos del panel de instalación.
2. Afloje el tornillo de ajuste utilizando la llave Allen. Retire la manija y de vuelta la misma, de modo que el logo mire hacia el lado contrario.



3. Coloque las tapas de la manija sobre los tensores de la puerta. Asegúrese de sostener la manija de modo tal que no caiga y raye el acabado del electrodoméstico. Asegúrese de que ambas tapas de las manijas estén apoyadas sobre la base de la puerta.



4. Bloquee un extremo de la manija en su posición, ajustando el tornillo en la tapa de la manija con la llave Allen provista. NO ajuste en exceso.



5. Continúe sosteniendo la manija mientras bloquea el otro extremo de la manija en su posición, ajustando el tornillo en la tapa de la manija. NO ajuste en exceso.

PLOMERÍA – BOMBA DE DESAGÜE Instalación del Desagüe

Una bomba de desagüe está disponible para esta máquina de hielo. El número del kit de la bomba de desagüe es UPK3 y está disponible en GEApplianceparts.com o llamando al 877-959-8688. En Canadá, visite GEAppliances.ca o comuníquese al 800.661.1616.

PLOMERÍA – DESAGÜE POR GRAVEDAD

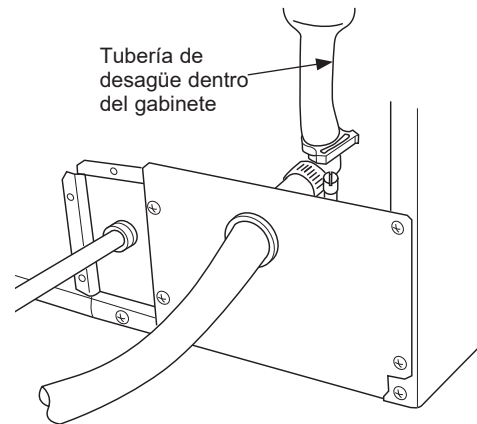
Drain Installation

⚠ AVISO

Restricciones en el sistema de desagüe hasta la máquina harán que el agua retroceda en la hielera y que derrita el hielo. La tubería de desagüe por gravedad debe estar ventilada, no poseer torceduras, y descender hasta el desagüe del edificio. De forma típica, las brechas de aire son requeridas por los códigos locales.

1. Coloque la máquina de hielo frente a la abertura de la instalación. Ajuste las patas niveladoras hasta la altura aproximada. Hay Tapas para Patas en el paquete de herramientas que se pueden calzar en las patas niveladoras, si estas últimas quedan visibles una vez nivelada la unidad.
2. Inserte el tubo de desagüe a través del orificio del recorrido en el panel trasero.
3. Retire el panel superior trasero si es necesario para acceder a la conexión del desagüe.

NOTA: Si conectará un modelo de desagüe por gravedad y la abertura del desagüe fue ubicada en el piso debajo de la bandeja de la base de acuerdo con las especificaciones de preinstalación, siga los pasos 4 a 7 para drenar la unidad a través de la base. De no ser así, proceda al paso 7.



PLOMERÍA – DESAGÜE POR GRAVEDAD (cont.)

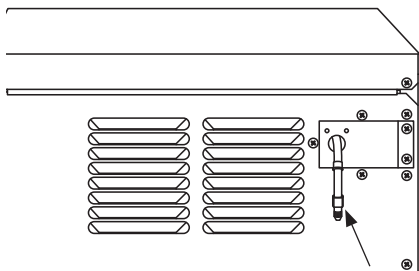
4. Retire la abrazadera y el codo con púas y quite la tapa plástica de la bandeja de la base, debajo de la manguera de desagüe.
5. Conecte un conector con púas de 5/8" a la manguera de desagüe, asegurando la misma con la abrazadera para manguera provista.
6. Corte una pieza de 8" de un tubo tygon (plástico transparente) de 5/8" de Diám. Ext. x 7/8" de Diám Ext. Deslice un extremo del tubo por la abrazadera; deje el otro extremo del tubo apoyado en el piso de la bandeja de la base hasta que la unidad esté posicionada sobre el desagüe del piso.
7. Haga circular el tubo de desagüe. Puede a) insertar el tubo de desagüe a través de la bandeja de la base en el desagüe del piso o b)) hacer circular el tubo de desagüe a través del orificio del panel inferior trasero y conectar el codo con púas y asegurarlo con una abrazadera.
8. Vuelva a instalar cualquier panel retirado para conectar el desagüe.

Suministro de Agua

La tubería de suministro de agua recomendada es de 1/4" de diámetro externo de cobre. También se puede usar un tubo de acero inoxidable flexible o uno reforzado de PCV. Instale una válvula de cierre de fácil acceso entre el suministro y la unidad. Esta válvula de cierre no debe ser instalada detrás de la unidad.

La conexión de agua está en la parte trasera del gabinete. Realice la conexión utilizando una unión de compresión; una es provista adherida al tubo de entrada de agua en la parte trasera del gabinete.

Al empotrar: Enrolle suficiente tubería detrás de la máquina de modo que pueda ser empujada por la cavidad sin retorcer la misma.



Conecte el suministro de agua aquí; la unión es provista en la bolsa adherida al tubo.

COLOCACIÓN DE LA MÁQUINA DE HIELO

La máquina de hielo es suministrada con un cable de corriente. No retire el perno de conexión a tierra del enchufe del cable. No use prolongadores. Siga todos los códigos. Conecte la máquina de modo que el circuito posea 115v, 15 amp.

1. Si el tomacorriente eléctrico de la máquina de hielo está detrás de la unidad, enchufe el mismo en la unidad.
2. Posicione la unidad en la abertura de la instalación.
3. Abra el suministro de agua. Asegúrese de que la máquina de hielo esté enchufada y encendida.
4. Deslice la unidad por la abertura de la instalación, prestando especial atención al suministro de agua y a las conexiones del desagüe. ¡Evite torceduras!
5. Vierta un par de cuartos de galón de agua en la hielera; en máquinas equipadas con bomba de desagüe, la bomba de desagüe se debe iniciar y debe bombear agua. Controle que no haya pérdidas.
6. Vuelva a instalar el panel de acceso al servicio.
7. Nivele la unidad según sea necesario. Hay Tapas para Patas en el paquete de herramientas que se pueden calzar en las patas niveladoras, si estas últimas quedan visibles una vez nivelada la unidad.

Cuidado y limpieza

Limpieza de la Parte Exterior

La puerta y la manija de la puerta de acero inoxidable se pueden limpiar con un limpiador de acero inoxidable disponible comercialmente. Los limpiadores con ácido oxálico tales como Bar Keepers Friend Soft Cleanser™ eliminarán el óxido, deslustres y pequeñas manchas sobre la superficie.

Use sólo un limpiador líquido libre de material abrasivo y frote en la dirección de las líneas del cepillo con una esponja suave y húmeda. No use cera para electrodomésticos ni pule sobre el acero inoxidable.

Limpieza del Condensador

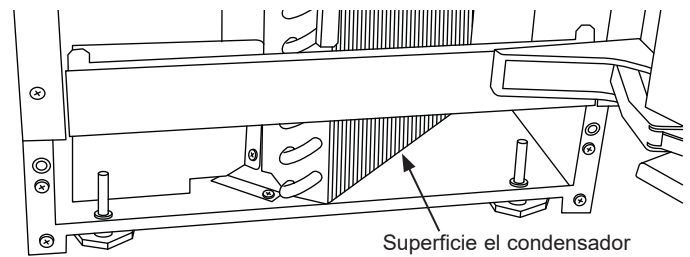
El condensador cuenta con alerones y tubos que pueden atascarse con suciedad y pelusas.

Para limpiarlo:

1. Retire el zócalo y el panel frontal de servicio.
2. Ubique la superficie del condensador.
3. Aspire la superficie a fin de eliminar todo el polvo y la pelusa.

⚠ AVISO No abolle los alerones.

4. Vuelva a colocar el zócalo y el panel frontal de servicio en sus posiciones originales. Adhiera dichas partes al gabinete usando los tornillos originales.



Eliminación del Sarro del Sistema de Producción de Hielo

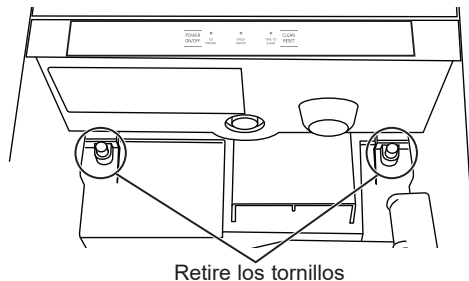
La limpieza de la máquina de hielo incluye agregar una solución de limpiador de sarro y agua a la máquina de hielo y continuar agregando el mismo a medida que produce hielo. El limpiador de sarro debe ser diluído en la proporción correcta. Una botella con sistema de chorro facilita en gran medida el agregado de limpiador de sarro cuando la unidad esté empotrada. Si no está empotrada, retire el panel superior para tener acceso al depósito.

Debe usar guantes de goma al usar el limpiador de sarro. Para ordenar el limpiador de sarro, visite GEApplianceParts.com o llame al 877-959-8688. Ordene la pieza número WX08X42872.

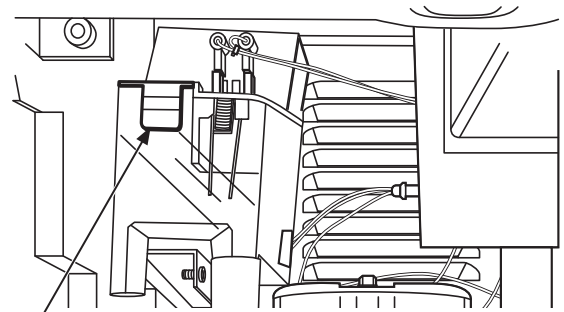
1. Descarte todo el hielo con la cuchara.
2. Presione y libere el botón ON/OFF (Encender/ Apagar).



3. Abra la puerta y ubique los tornillos en la pared superior trasera de la hielera. Retire los 2 tornillos.

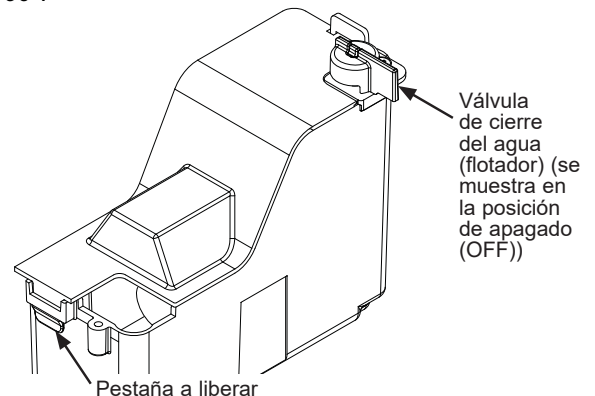


4. Retire el panel trasero de la hielera colocándolo por debajo del soporte de la cuchara. El soporte de la cuchara rotará a fin de permitir que el panel baje.



Lengüeta para liberar la tapa del depósito

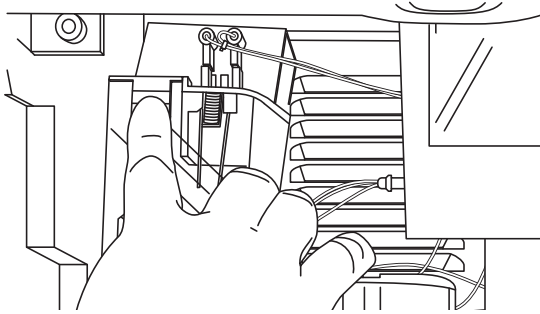
5. La válvula de cierre del agua (flotador) está ubicada en la parte posterior del depósito. La válvula DEBE girarse a la posición de APAGADO antes de que se pueda quitar la tapa del depósito. Gire la perilla en sentido contrario al reloj 90°.



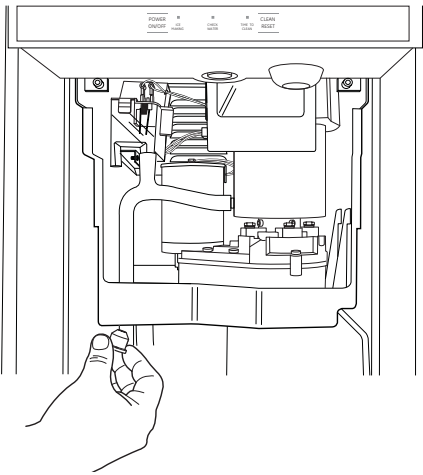
Cuidado y limpieza (Cont.)

Eliminación del Sarro del Sistema de Producción de Hielo (Cont.)

6. Presione la lengüeta sobre el extremo frontal de la tapa del depósito y retire la tapa. **NOTA:** Los cables adyacentes son de bajo voltaje y no son peligrosos.



7. Ubique el tapón de desagüe. Quite el tapón de desagüe para drenar el depósito y el evaporador. Una vez completado el desagüe, vuelva a colocar el tapón en su posición original.



8. Adquiera la solución para eliminar sarro premezclada o mezcle una solución de limpiador de sarro con agua siguiendo las instrucciones. Llene una botella con sistema de chorro con el limpiador de sarro diluido o premezclado.

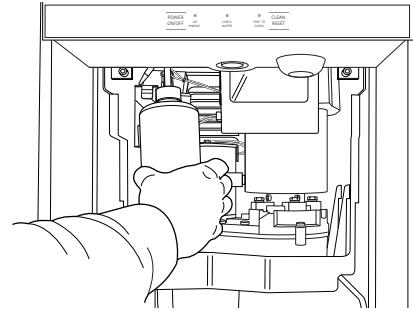
⚠️ ADVERTENCIA



El limpiador de sarro de la máquina de hielo contiene ácidos. Los ácidos pueden producir quemaduras. Si un limpiador concentrado entra en contacto con la piel, limpie el mismo con agua. Si se traga, NO induzca el vómito. Tome grandes cantidades de agua o leche. Llame al Médico de inmediato. Mantenga los mismos fuera del alcance de los niños.

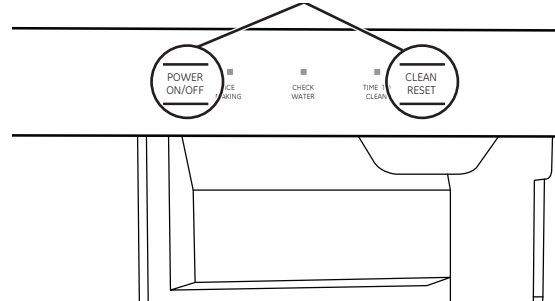
NOTA: Tenga cuidado de no derramar limpiador de sarro sobre superficies cercanas. De inmediato, limpie cualquier derrame con bicarbonato de sodio.

9. Llene el depósito con la solución para limpiar sarro usando la botella con sistema de chorro. Use aproximadamente la mitad (8 onzas) de la solución.



10. MANTENGA presionados los botones **CLEAN/RESET** (Borrar/ Reiniciar) y **ON/OFF** (Encender/ Apagar) durante 5 segundos. La luz **TIME TO CLEAN** (Hacer la Limpieza) titilará.

Presione simultáneamente

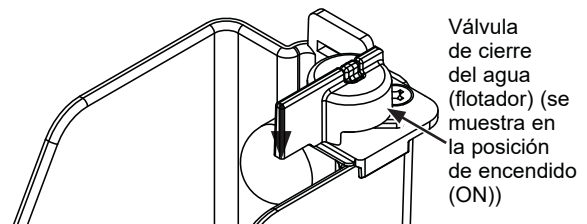


11. El motor de la barrena funcionará durante 10 minutos y luego se iniciará el compresor. Pasados entre 5 y 8 minutos, la máquina comenzará a producir hielo. La luz de la función **TIME TO CLEAN** (HACER LA LIMPIEZA) brillará de forma pareja hasta que el ciclo de limpieza esté completo.

⚠️ PRECAUCIÓN Mantenga los dedos alejados de las partes móviles.

Una vez iniciada la producción de hielo, de forma continua agregue al depósito solución para eliminar sarro, a fin de mantenerlo lleno hasta la mitad aproximadamente.

Cuando se usen las 16 oz de la solución, gire la perilla de la válvula de cierre del agua (flotador) en sentido del reloj 90° a la posición de encendido (ON).



Luego de 40 minutos, la máquina de hielo y todas las luces del panel de control se apagarán.

12. Vuelva a quitar el tapón de desagüe para drenar el sistema y luego reemplace el mismo.

Cuidado y limpieza (Cont.)

Eliminación del Sarro del Sistema de Producción de Hielo (Cont.)

13. Gire la perilla de la válvula de cierre del agua (flotador) a la posición de apagado, vuelva a colocar la tapa del depósito y luego gire la perilla de la válvula de cierre del agua (flotador) a la posición de encendido.
 14. Reemplace la pared superior trasera del cesto usando los tornillos originales. Coloque la parte inferior del panel trasero presionando la misma hasta su posición.
 15. Vierta un galón de agua caliente (95°-115°) en el cesto para hacer circular el desagüe y derretir todo el hielo producido durante el proceso de limpieza. Asegúrese de que todo el hielo sea derretido.
 16. Use cualquier resto de solución para eliminar sarro para frotar el sarro del cobertor del cesto. Si no quedan restos, use la premezcla o mezcle 1 cuarto de acuerdo con las instrucciones.
 17. Enjuague el cobertor con agua caliente.
 18. Higienice el interior del cesto.
 19. Presione y libere el botón ON/OFF (Encender/ Apagar) para reiniciar la producción de hielo.
- La cuchara del hielo debe ser lavada de forma regular y es de uso seguro en lavavajillas.

Otros Mantenimientos

NOTA: Es normal que se forme una cierta cantidad de sarro de cal sobre la tapa del reductor de engranajes. Limpie cualquier sarro suelto.

Controle el ángulo superior.

El ángulo superior no es metálico y no requiere lubricación. Sin embargo, de forma ocasional se debe controlar que no posea desgastes. La parte superior del panel debe ser retirada a fin de acceder al ángulo. El límite de desgaste es de 1/64" y puede ser controlado con un calibrador de perno.

Adaptación para el Invierno

1. Limpie el sistema de producción de hielo de acuerdo con las instrucciones de las páginas 7 y 8.
 2. Abra la puerta y presione el botón ON/OFF (Encender/ Apagar) para apagar la máquina de hielo.
 3. Cierre el suministro de agua.
 4. Retire la pared trasera de la hielera.
 5. Retire el tapón de desagüe y drene el depósito de agua; vuelva a colocar el tapón en su posición original.
 6. Los modelos con una bomba de desagüe instalada deberán contar con aproximadamente ½ galón de anticongelante R.V. (propilenglicol) dentro del desagüe de la hielera.
- NOTA:** NO se deberá usar anticongelante para autos.
7. Apague y desenchufe la máquina.

Consejos para la Solución de Problemas... Antes de solicitar el servicio técnico

¡Ahorre tiempo y dinero! Primero revise los cuadros que aparecen en las siguientes páginas y es posible que no necesite solicitar reparaciones.

Problema	Causas Posibles	Qué hacer
Baja capacidad	Desagüe restringido o agua restante en el cesto	Limpié los alerones del condensador enfriados por el aire.
		Limpié el sistema de la máquina de hielo.
		Controle que no haya torceduras en la tubería de desagüe.
Sin hielo	El interruptor está en OFF (Apagado).	Presione el botón ON/OFF (ENCENDIDO/APAGADO) para activar la corriente.
	El disyuntor se desactivó.	Vuelva a activar el disyuntor.
	El suministro de agua es bajo.	Si la luz de Control del Agua está titilando en Rojo, el suministro de agua es bajo.
	El motor de la barrena no está funcionando o está sobrecargado - las luces están titilando.	Haga el reinicio presionando el botón ON/OFF (Encender/ Apagar) . Si esto no reinicia el motor y las luces continúan titilando, llame al servicio técnico
La luz de <i>Time to Clean (Hacer la Limpieza)</i> está activada.		Limpié el sistema de la máquina de hielo siguiendo las instrucciones de la sección de Cuidado y Limpieza.

Ruido

La máquina de hielo fue diseñada para un funcionamiento silencioso, pero hará cierto nivel de ruido durante el ciclo de producción de hielo.

GE Appliances Garantía Limitada de la Máquina de Hielo

GEAppliances.com

Todo el servicio de garantía es provisto por nuestros Centros de Servicio de Fabricación, o un técnico autorizado de Servicio al Cliente (800.462.2737). Para programar una visita del servicio técnico, visítenos en **GEAppliances.com**, o comuníquese al 800.GE.CARES (800.432.2737). Cuando llame para solicitar el servicio, tenga los números de serie y modelo disponibles.

Por el Período de:	GE Appliances Reemplazará
Un Año Desde la fecha de la compra original	Cualquier parte del refrigerador que falle debido a un defecto en los materiales o la fabricación. Durante esta garantía limitada de un año , GE Appliances también proveerá, sin costo, todo el trabajo y el servicio relacionado con el reemplazo de la parte que presente defectos.
Cinco Años Desde la fecha de la compra original	Cualquier parte del sistema de refrigeración sellado (el compresor, condensador, evaporador y todas las tuberías de conexión) que falle debido a un defecto en los materiales o la fabricación. Durante esta garantía de cinco años del sistema de refrigeración sellado , GE Appliances también proveerá, sin costo, todo el trabajo y el servicio relacionado con el reemplazo de la parte que presente defectos en el sistema de refrigeración sellado.

Qué No Cubrirá GE Appliances:

- Viajes del técnico del servicio a su hogar para enseñarle sobre cómo usar el producto.
- Instalación, entrega o mantenimiento inadecuados.
- Fallas del producto en caso de abuso, mal uso, o uso para propósitos diferentes al original o uso comercial.
- Reemplazo de fusibles de la casa o reinicio de disyuntores.
- Daño causado después de la entrega.
- Reemplazo de las lámparas, si están incluidas.
- Daños ocasionados sobre el producto por accidente, incendio, inundaciones o catástrofes naturales.
- Daños consecuentes o incidentales causados por posibles defectos de este producto.
- Producto no accesible para brindar el servicio requerido.

EXCLUSIÓN DE GARANTÍAS IMPLÍCITAS

Su única y exclusiva alternativa es la reparación del producto, como se indica en la Garantía Limitada. Las garantías implícitas, incluyendo garantías implícitas de comerciabilidad o conveniencia sobre un propósito particular, se limitan a un año o al período más corto permitido por la ley.

Abroche su recibo aquí. Para acceder al servicio técnico de acuerdo con la garantía deberá contar con la prueba de la fecha original de compra.

Esta garantía limitada se extiende al comprador original y a cualquier dueño subsiguiente de productos comprados para uso hogareño dentro de EE.UU. Si el producto está en un área donde no se encuentra disponible un Proveedor Autorizado del Servicio Técnico de GE Appliances, usted será responsable por el costo de un viaje o se podrá requerir que traiga el producto a una ubicación del Servicio Técnico de GE Appliances Autorizado para recibir el servicio. En Alaska, la garantía limitada excluye el costo de envío o llamadas del servicio a su hogar.

Algunos estados no permiten la exclusión o limitación de daños fortuitos o consecuentes. Esta garantía limitada le da derechos legales específicos y es posible que tenga otros derechos legales que varían entre un estado y otro. Para conocer cuáles son sus derechos legales, consulte a la oficina de asuntos del consumidor local o estatal o al Fiscal de su estado.

Warrantor: GE Appliances, a Haier company
Louisville, KY 40225

¿Busca Algo Más?

Están disponibles paneles acabados para puertas de acero inoxidable con manijas a través de GE Appliances, los cuales se pueden adherir a la máquina de hielo. Los kits de los paneles son:

- ZIP80SS - Puerta de acero inoxidable con Manijas Estilo Euro
- PIP70SS - Puerta de acero inoxidable con Manijas Estilo Profile
- CIP75SS - Puerta de acero inoxidable con Manijas Estilo Café
- CIP75D1 - Negro mate con manija estilo Café
- CIP75W2 - Blanco mate con manija estilo Café

Además, también ofrecemos los siguientes kits de manijas Café:

- CXXN1H1PNBT - Manija negra
- CXXN1H1PNZ - Manija bronce
- CXXN1H1PNCU - Manija cobre

NOTA: Estos kits solo funcionan con la familia CIP de kits para puertas.

Para ordenar, visite GEApplianceParts.com o comuníquese al 877-959-8688. En Canadá, visite GEAppliances.ca o comuníquese al 800.561.3344.

Extensión del Zócalo: En algunas situaciones, los niveladores de las patas se extenderán lo suficiente hasta estar visibles. Un kit para extender el zócalo sobre las patas está disponible. El número de ese kit es WR02X25708. Para ordenar, visite GEApplianceParts.com o comuníquese al 877-959-8688. En Canadá, visite GEAppliances.ca o comuníquese al 800.661.1616.

Estabilidad del Gabinete: En algunas instalaciones con pedestal, es prudente agregar un soporte antivolcaduras que asegure la parte trasera del gabinete a una pared. El número de ese kit es WR01X25709. Para ordenar, visite GEApplianceParts.com o comuníquese al 877-959-8688. En Canadá, visite GEAppliances.ca o comuníquese al 800.661.1616.

Conversión del Desagüe: Un modelo de desagüe por gravedad puede ser convertido a un modelo con bomba de desagüe, instalando un kit de bomba de desagüe. El kit de la bomba de desagüe está compuesto por una bomba de desagüe, un arnés con cables y una tubería asociada. El número de pieza es UPK3. Para ordenar, visite GEApplianceParts.com o comuníquese al 877 959-8688. En Canadá, visite GEAppliances.ca o comuníquese al 800.661.1616.

Soporte para el Consumidor

Sitio Web de GE Appliances

¿Desea realizar una consulta o necesita ayuda con su electrodoméstico? ¡Intente a través del Sitio Web de GE Appliances las 24 horas del día, cualquier día del año! Usted también puede comprar más electrodomésticos maravillosos de GE Appliances y aprovechar todos nuestros servicios de soporte a través de Internet, diseñados para su conveniencia.

En EE.UU.: GEAppliances.com

Registre su Electrodoméstico

¡Registre su electrodoméstico nuevo a través de Internet, según su conveniencia! Un registro puntual de su producto permitirá una mejor comunicación y un servicio más puntual de acuerdo con los términos de su garantía, en caso de surgir la necesidad. También puede enviar una carta en la tarjeta de inscripción preimpresa que se incluye con el material embalado.

En EE.UU.: GEAppliances.com/register

Servicio Programado

El servicio de reparación de expertos de GE Appliances está a sólo un paso de su puerta. Conéctese a través de Internet y programe su servicio a su conveniencia cualquier día del año. En EE.UU.: GEAppliances.com/service o comuníquese al 800.432.2737 durante el horario de atención comercial.

Garantías Extendidas

Adquiera una garantía extendida de GE Appliances y conozca los descuentos especiales que están disponibles mientras su garantía aún está vigente. La puede adquirir en cualquier momento a través de Internet. Los servicios de GE Appliances aún estarán allí cuando su garantía caduque.

En EE.UU.: GEAppliances.com/extended-warranty o comuníquese al 800.626.2224 durante el horario de atención comercial.

Piezas y Accesorios

Aquellos individuos calificados para realizar el servicio técnico de sus propios electrodomésticos podrán solicitar el envío de piezas o accesorios directamente a sus hogares (se aceptan las tarjetas VISA, MasterCard y Discover). Ordene hoy a través de Internet durante las 24 horas, todos los días. En EE.UU.: GEApplianceparts.com o de forma telefónica al 877.959.8688 durante el horario de atención comercial.

Las instrucciones que figuran en este manual cubren los procedimientos que serán realizados por cualquier usuario. Otros servicios técnicos generalmente deben ser derivados a personal calificado del servicio. Se deberá tener cuidado, ya que una reparación indebida podrá hacer que el funcionamiento no sea seguro.

Contáctenos

Si no se encuentra satisfecho con el servicio que recibió de GE Appliances, comuníquese con nosotros a través de nuestro sitio Web con todos los detalles, incluyendo su número telefónico, o escriba a:

En EE.UU.: General Manager, Customer Relations | GE Appliances, Appliance Park | Louisville, KY 40225
GEAppliances.com/contact.