

INSTRUCTION MANUAL

Joyside 10 FTx 11 FT Wood Framed Gazebo

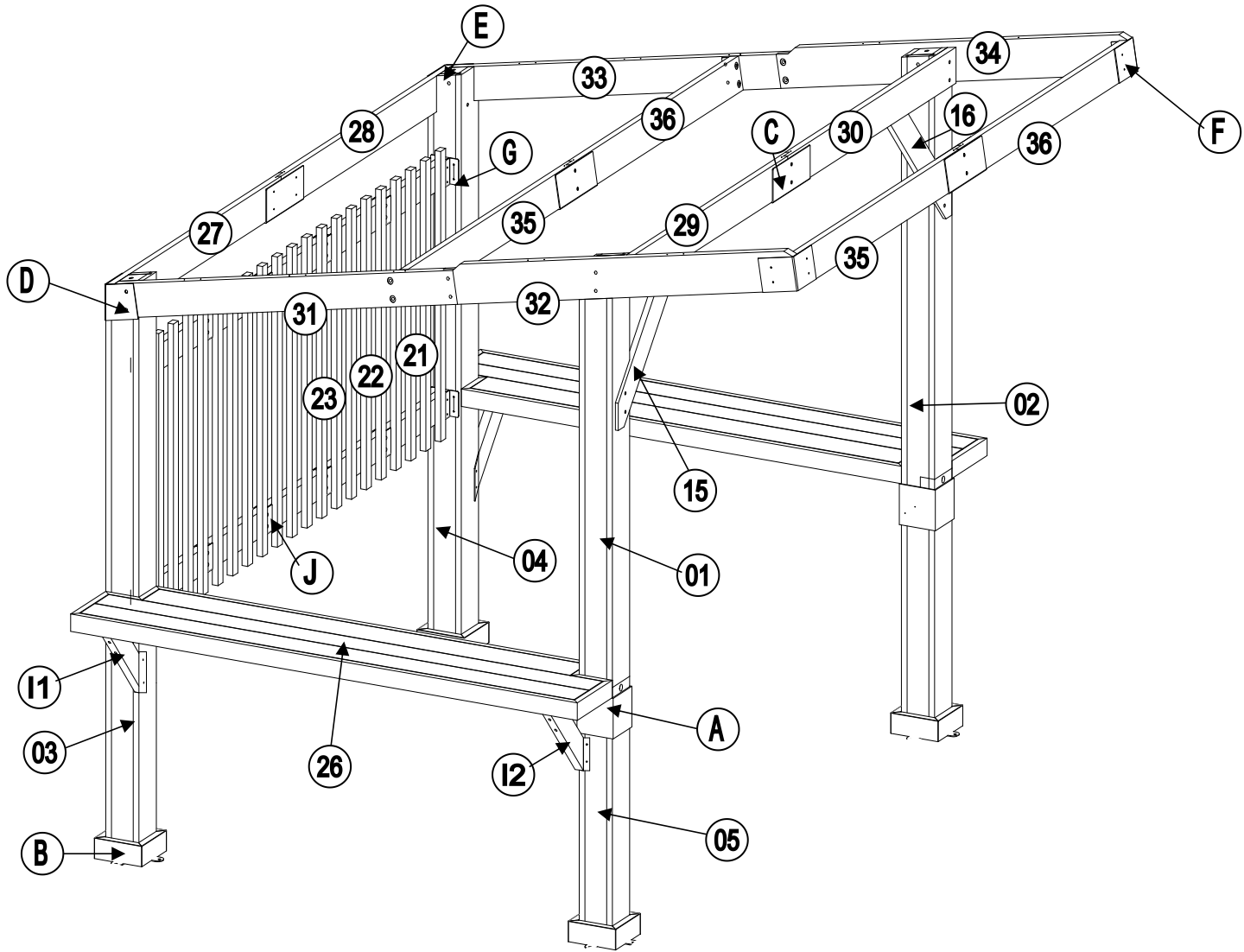
Series A02

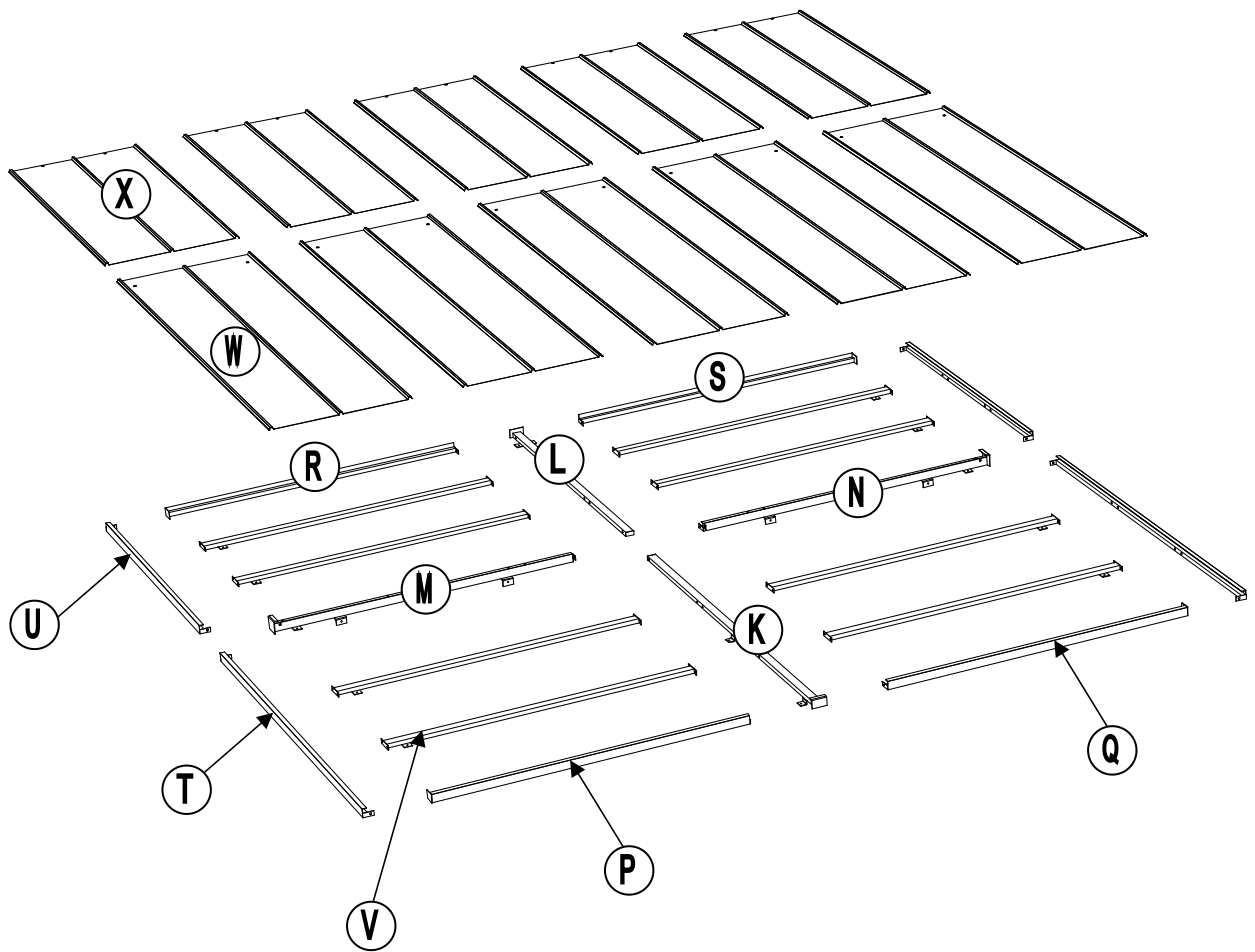
IF YOU PURCHASED THE GAZEBO ONLINE AND HAVE ANY
QUESTIONS OR CONCERNS

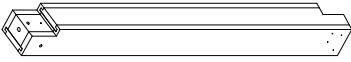
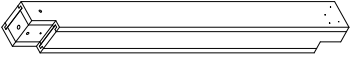
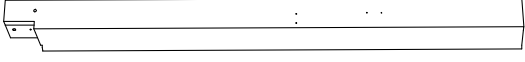
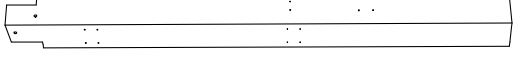
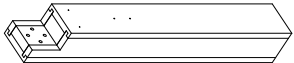
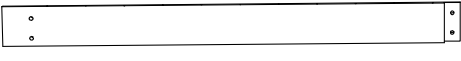
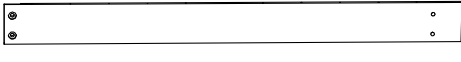
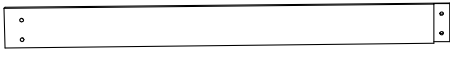


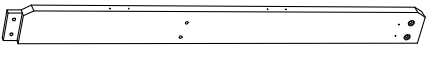
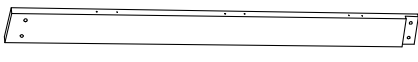
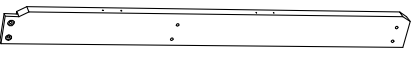
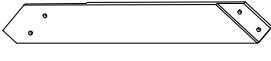
PLEASE CONTACT US WITH EMAIL OR WHATSAPP
service@joysidefurniture.com

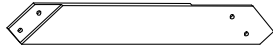


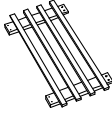
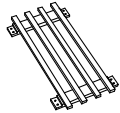
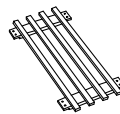
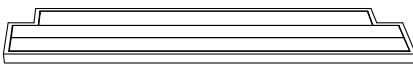
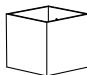


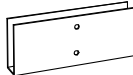
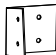
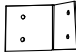
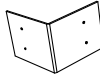

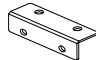
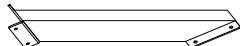


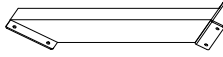
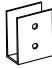











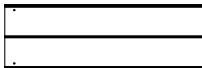
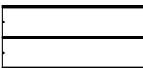
WhatsApp QR Code



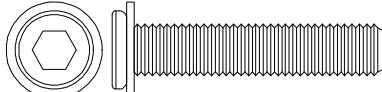
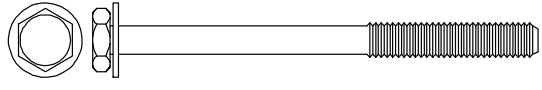
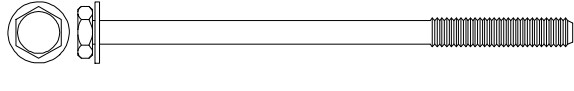
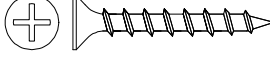
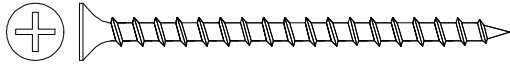
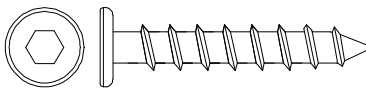
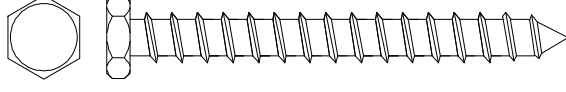
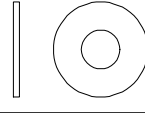
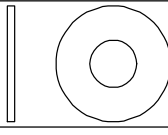
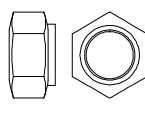
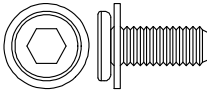
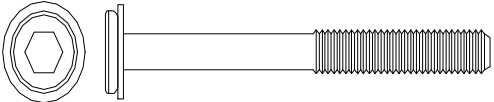
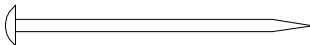



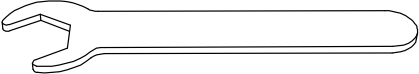

01	Front upper left Post	1	
02	Front upper right Post	1	
03	rear post1	1	
04	rear post 2	1	
05	Lower end of front Post	2	
27	Back Cross Beam 1	1	
28	Back Cross Beam 2	1	
29	Middle Beam 2	1	
30	Middle Beam 1	1	
31	Long Beam 3	1	
32	Long Beam 1	1	
33	Long Beam 4	1	
34	Long Beam 2	1	
15	Brace 1	1	

16	Brace 2	1	
35	Front Cross Beam 2	2	
36	Front Cross Beam 1	2	
21	Screen 1	2	
22	Screen 2	2	
23	Screen 3	1	
26	Table Top	2	
A	Post Cap	2	
B	Post Base	4	
B-1	Base Cover	4	
C	Cross Beam Cap 1	4	
D	L-Shape Press Piece 1	1	
E	L-Shape Press Piece 2	1	
F	L-Shape Press Piece 3	2	
G	Screen Cap 2	4	
H	Beam connection strap	4	
I1	Table Top Connection Left	2	

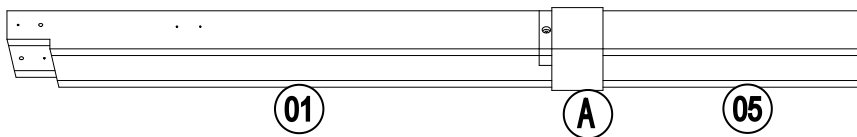
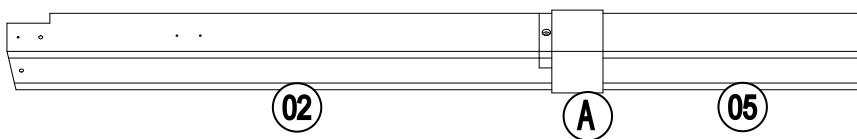
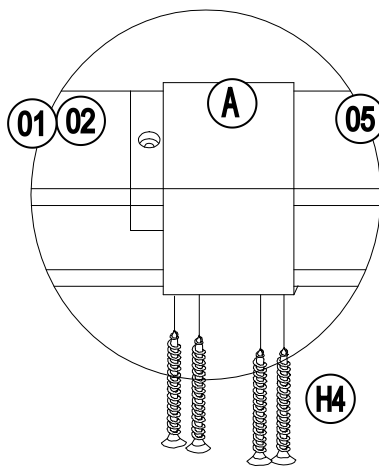
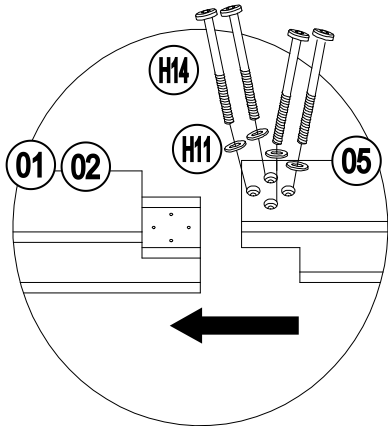
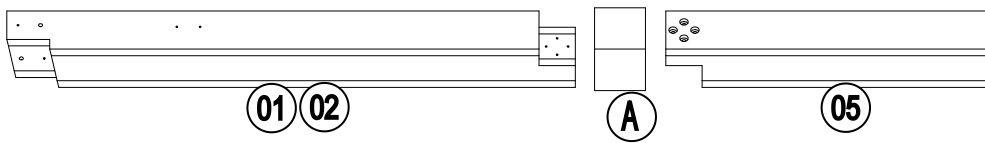
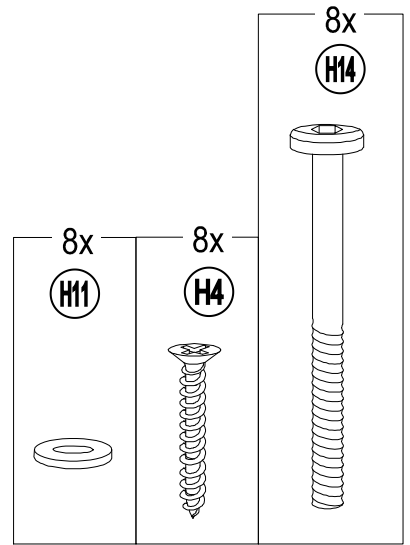
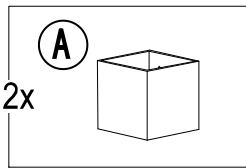
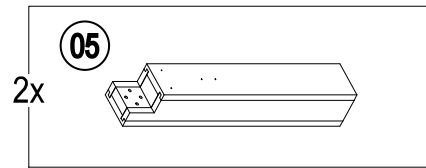
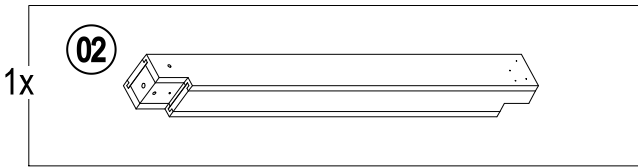
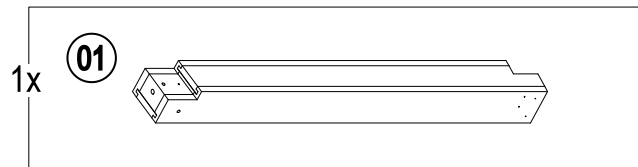
I2	Table Top Connection Right	2	
J	Screen Cap 1	8	
K	Upper Middle Cross Beam 1	1	
L	Upper Middle Cross Beam 2	1	
M	Middle Cross Beam 2	1	
N	Middle Cross Beam 3	1	
P	Upper Panel Flashing 1	1	
Q	Upper Panel Flashing 2	1	
R	Lower Panel Flashing 1	1	
S	Lower Panel Flashing 2	1	
T	Side Panel Flashing 1	2	
U	Side Panel Flashing 2	2	
V	Middle Cross Beam	8	
W	Top Cap 1	5	
X	Top Cap 2	5	

Hardware Pack

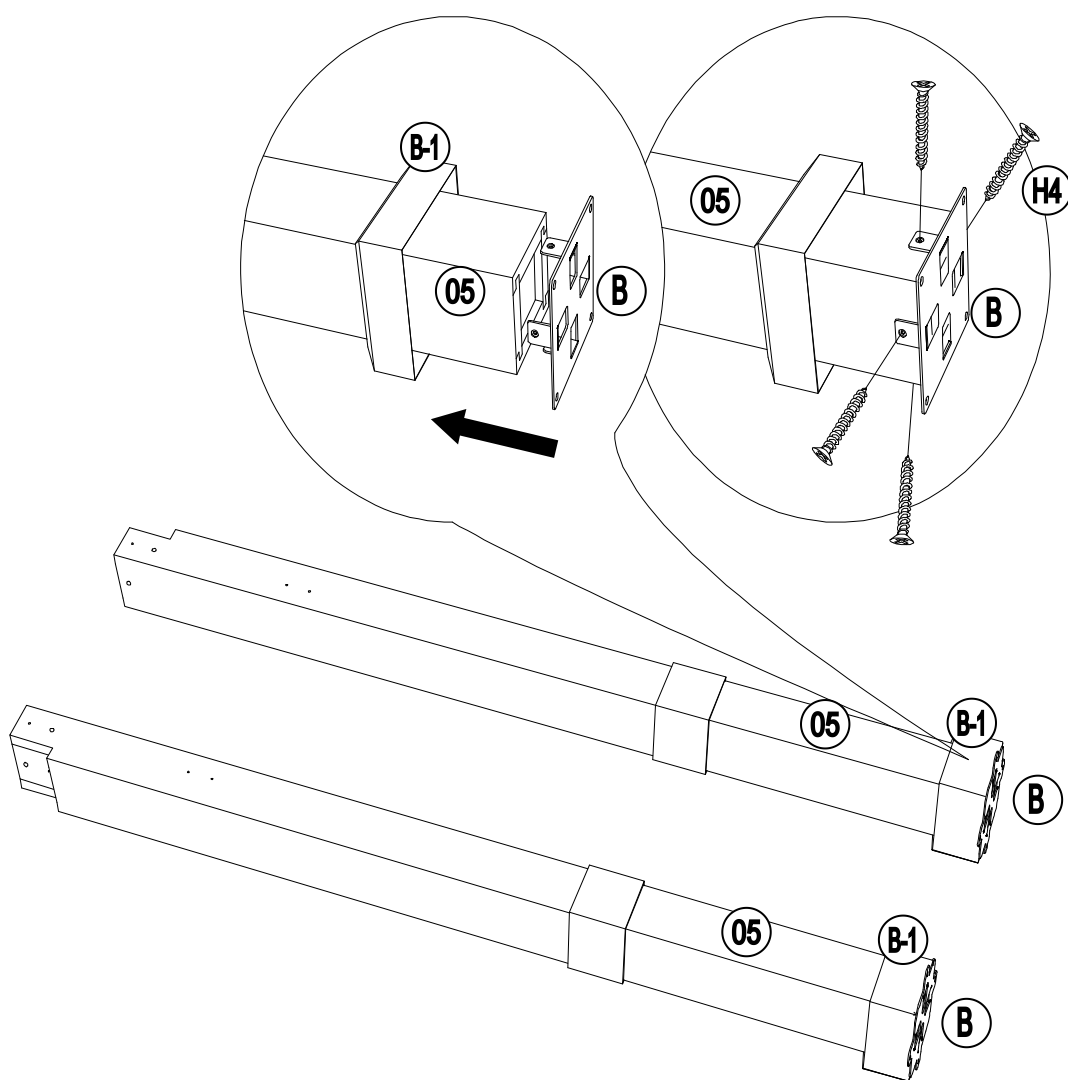
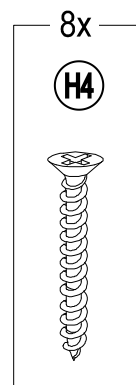
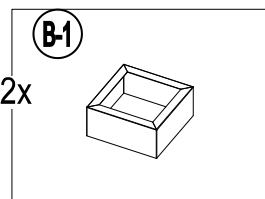
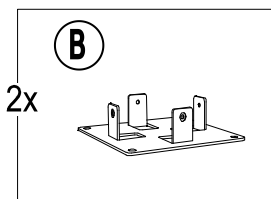
Label	Description	Qty	Add	Part Image
H1	Bolt M8*35	44	3	
H2	Bolt M8*160	6	1	
H3	Bolt M8*190	2	1	
H4	Screw ST 4.2*25	142	8	
H6	Screw ST 4.2*60	8	1	
H8	Screw ST6*35	8	1	
H9	Screw ST8*80	8	1	
H10	Flat Washer M6	8	1	
H11	Flat Washer M8	32	2	
H12	Hex Nut M8	8	1	
H13	Bolt M6*15	68	4	
H14	Bolt M8*130	8	1	
HS	Stake Φ 8*180	8	0	
HW1	Allen Key M8	1	0	

HW2	Wrench M8	2	0	
HW3	Wrench M6	2	0	

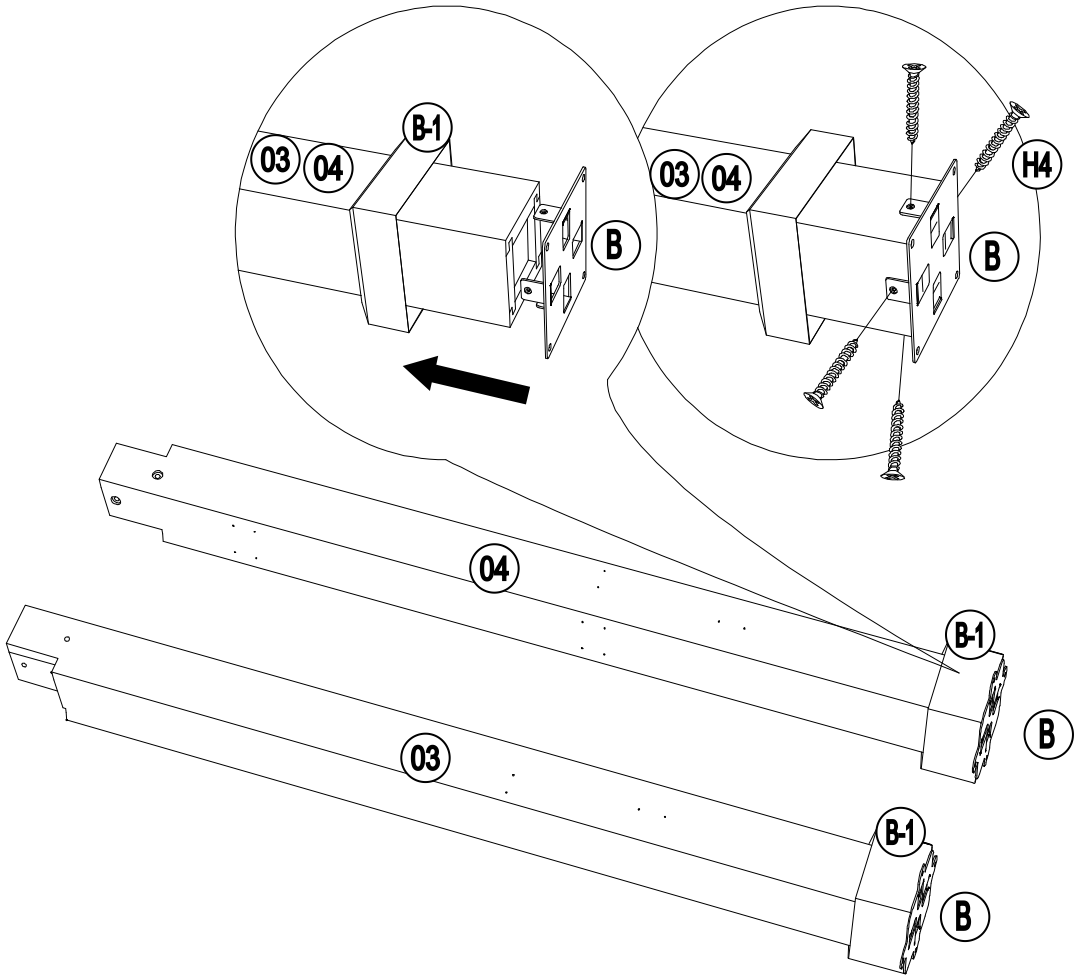
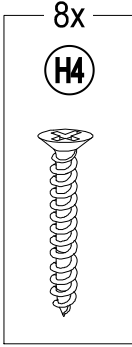
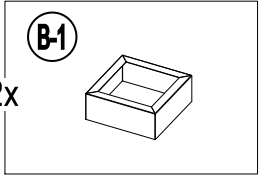
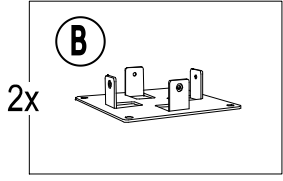
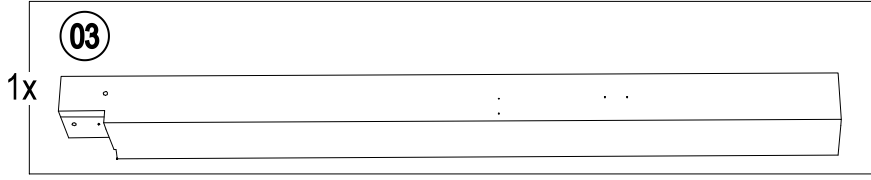
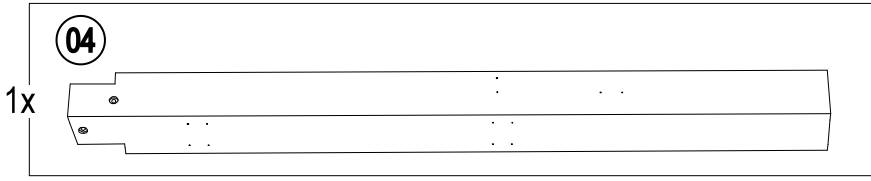
1



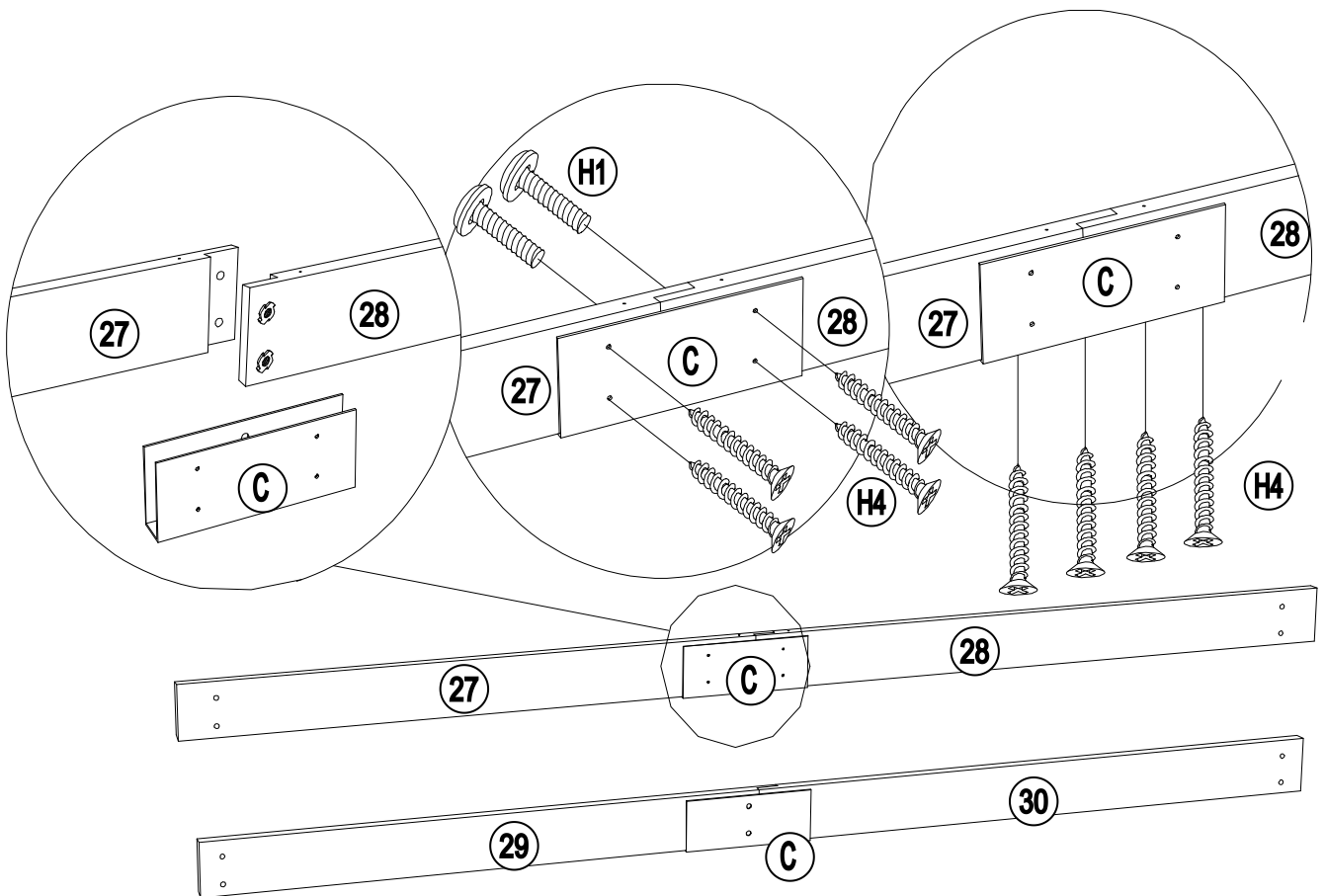
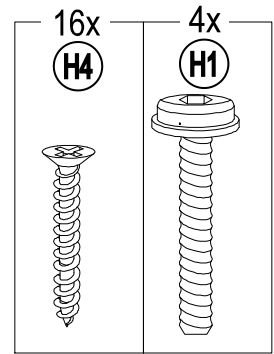
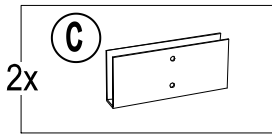
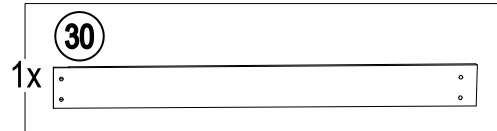
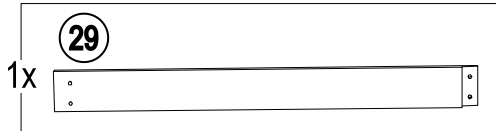
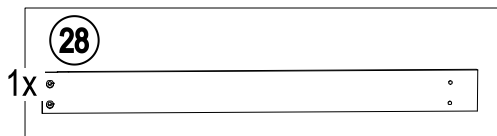
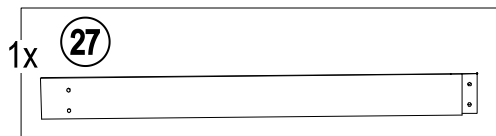
2



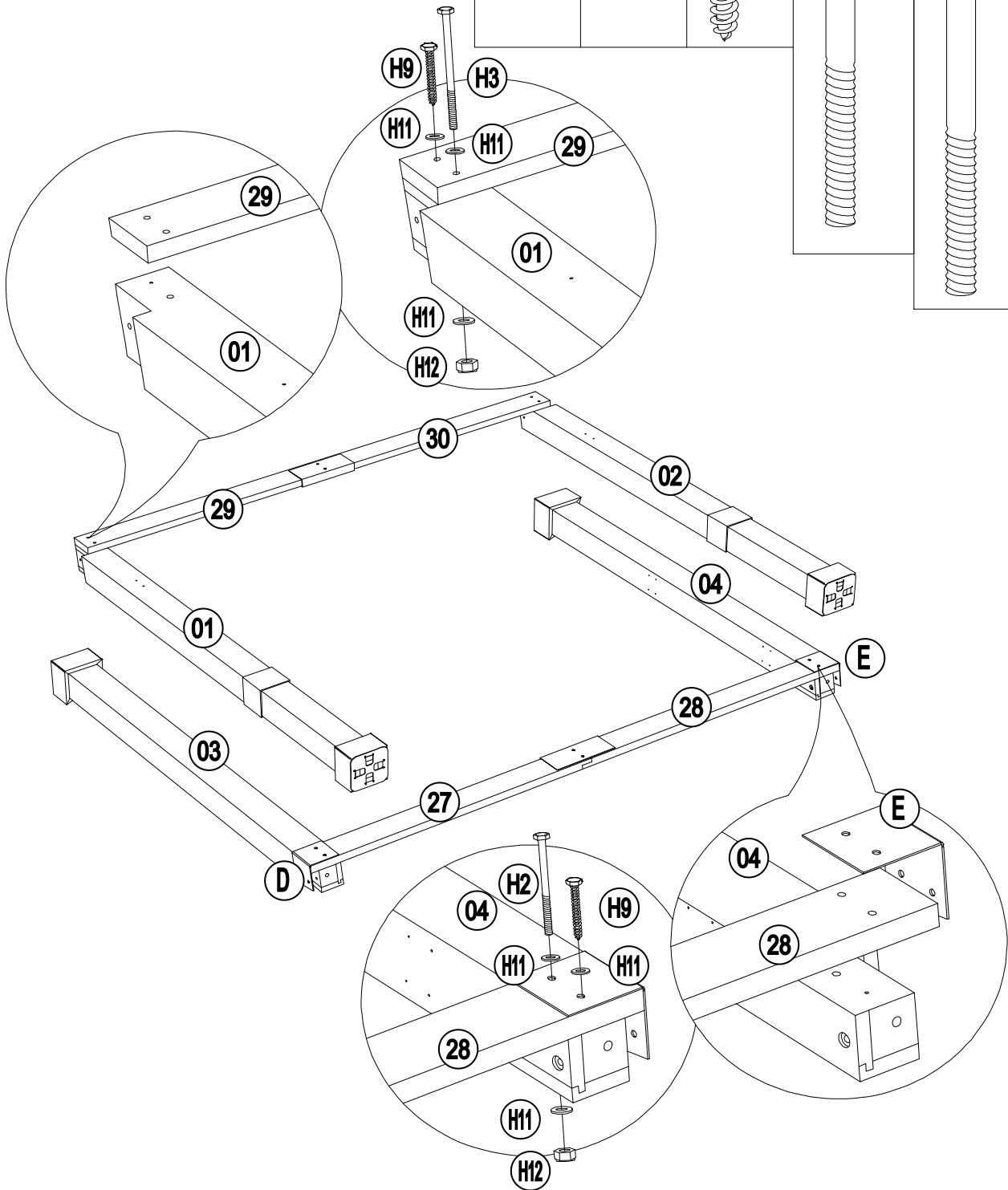
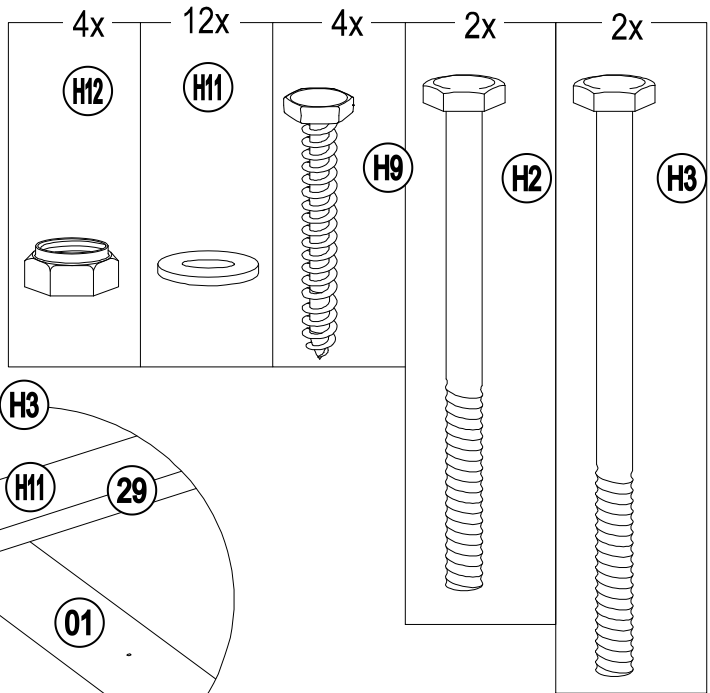
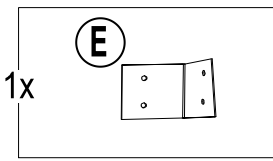
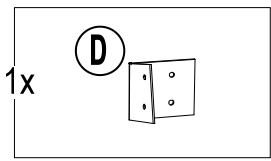
3



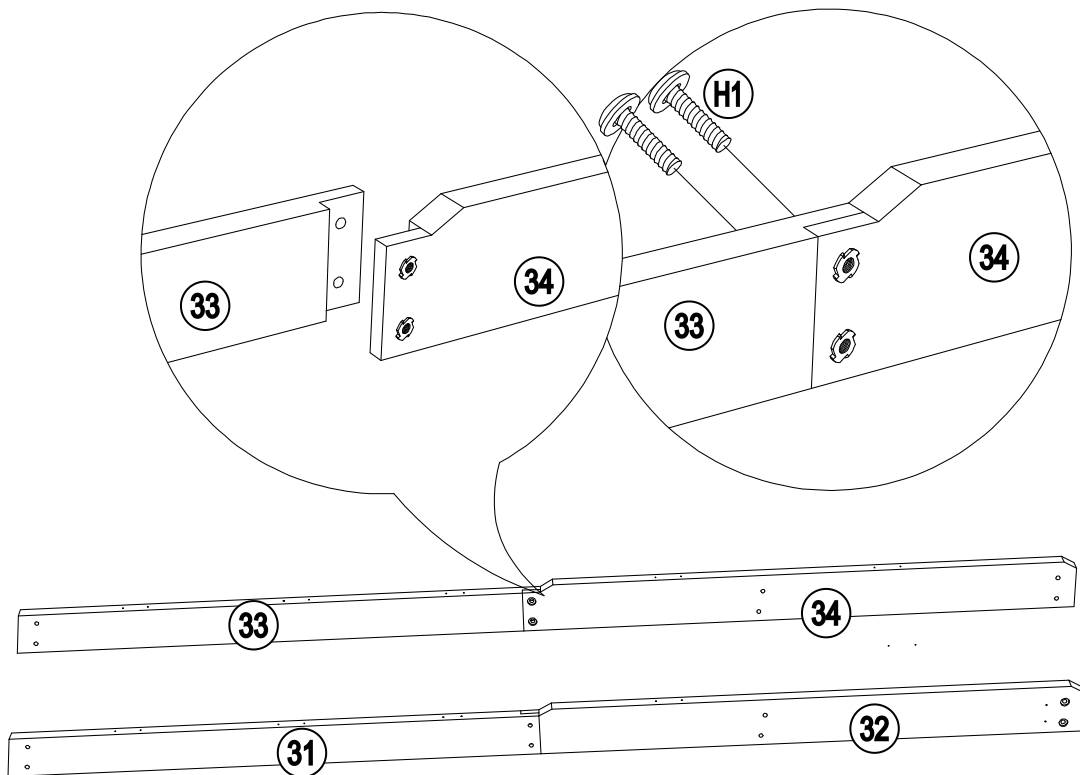
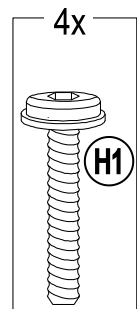
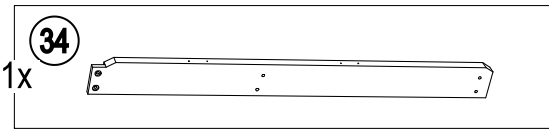
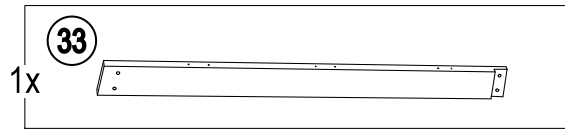
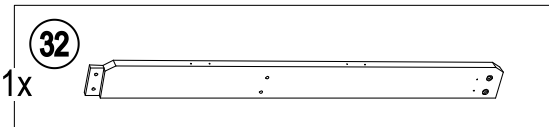
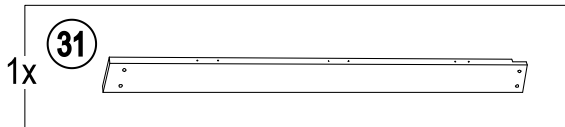
4



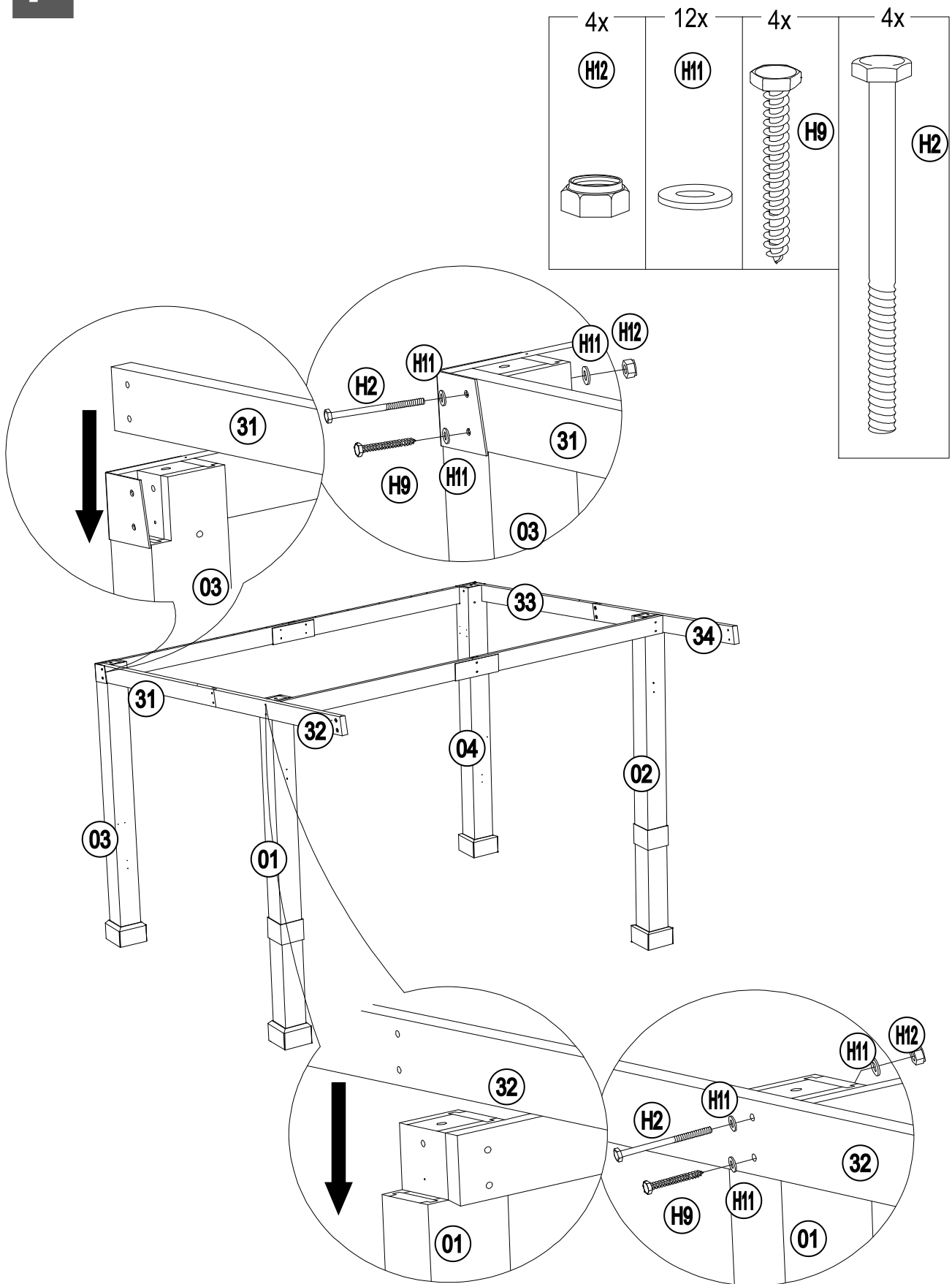
5



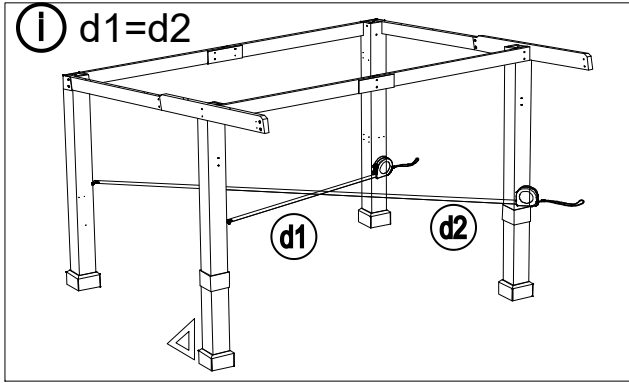
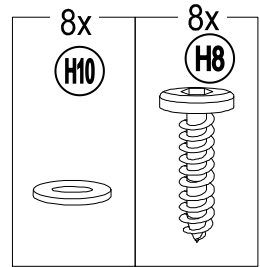
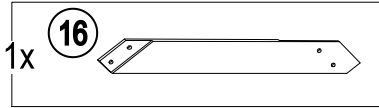
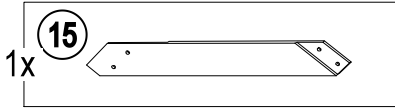
6



7



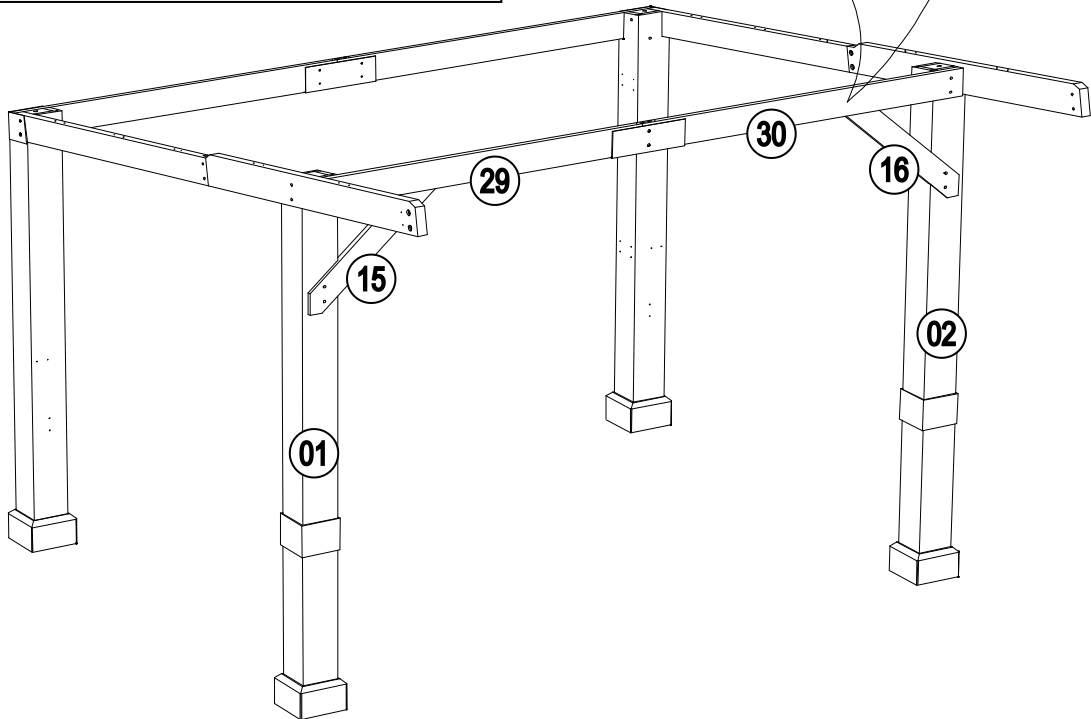
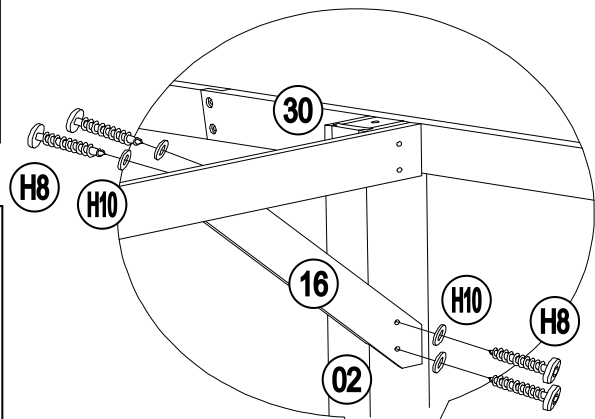
8



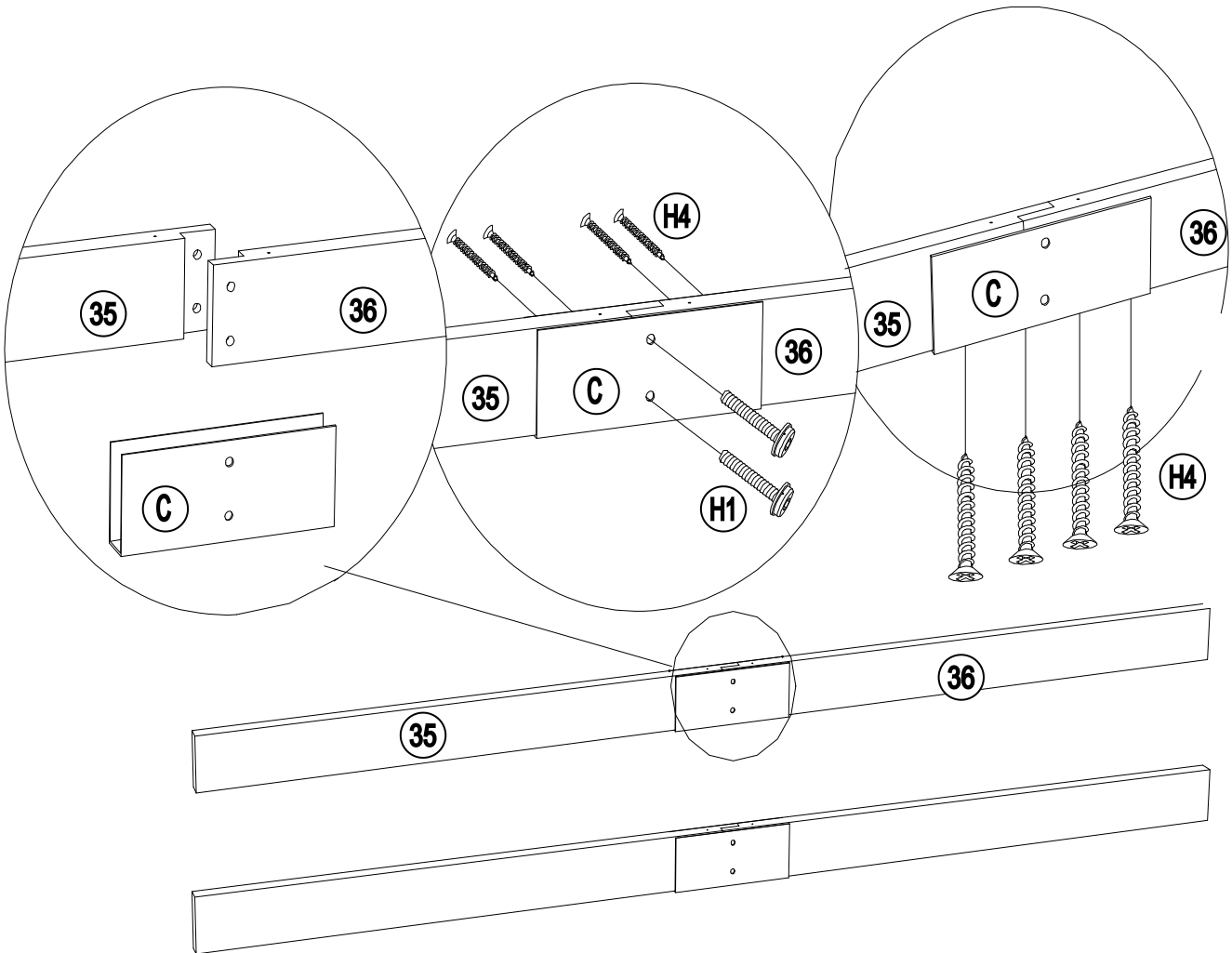
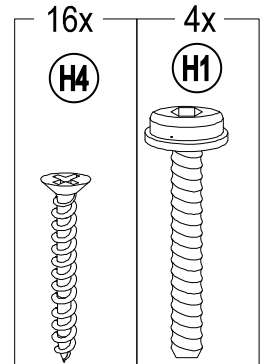
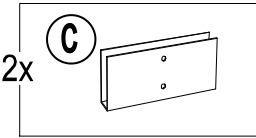
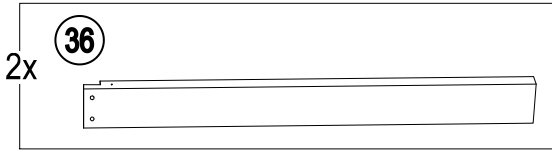
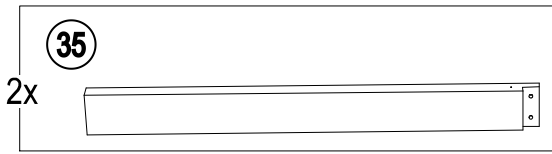
Rt \angle 90

Noting :

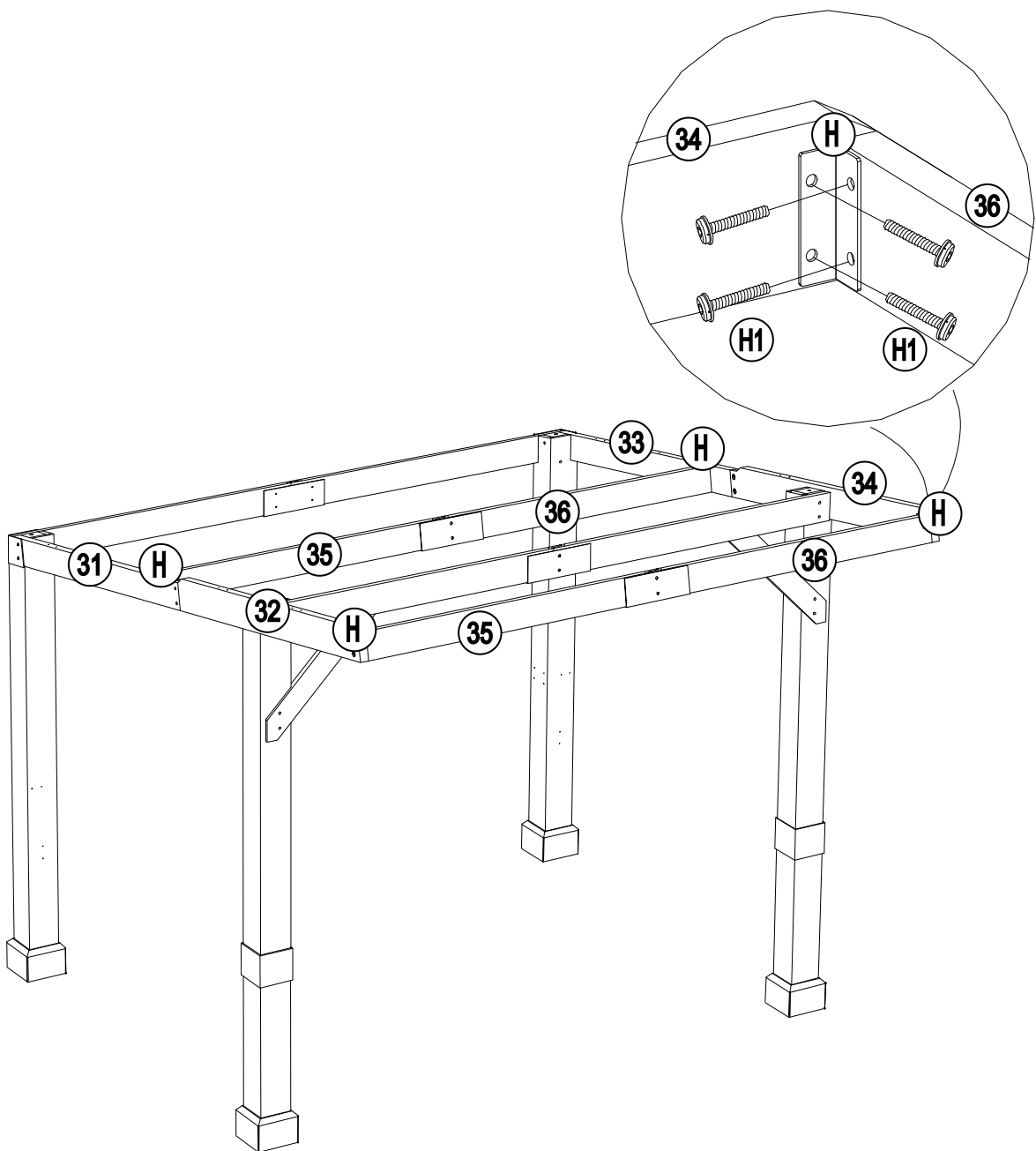
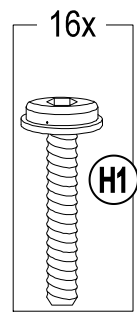
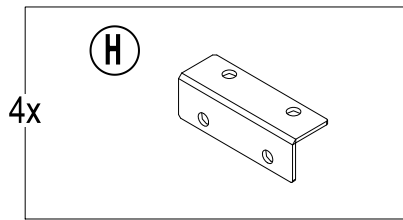
Pls make sure that the length of d1 is the same as d2, then go ahead the next step to make sure the frame is square. Keep the beam at right angles to the column, the column is at right angles to the ground, and keep the beam level.



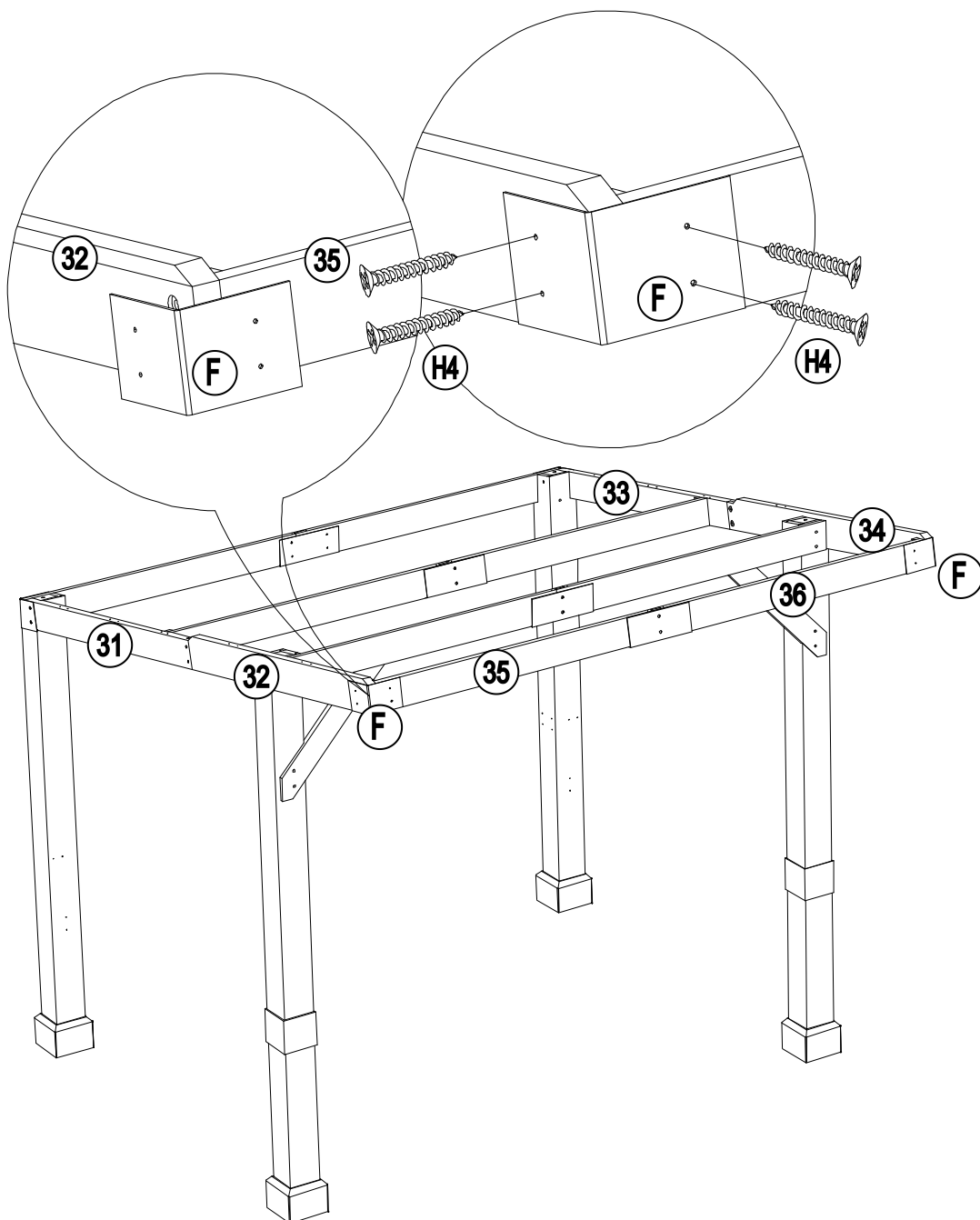
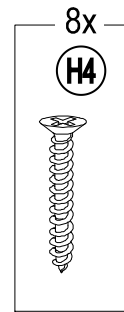
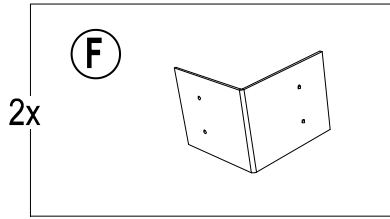
9



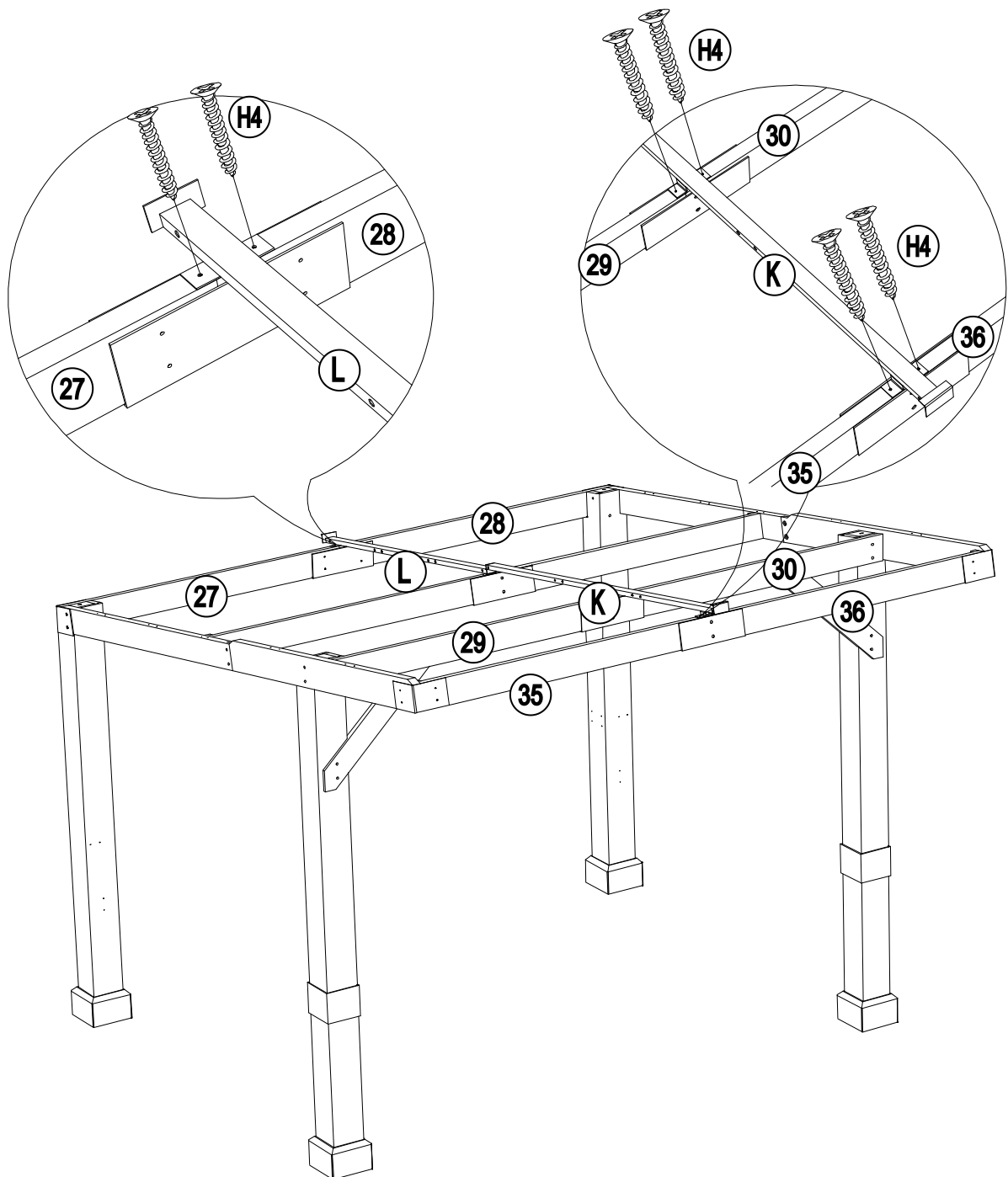
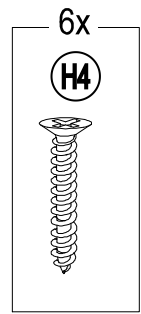
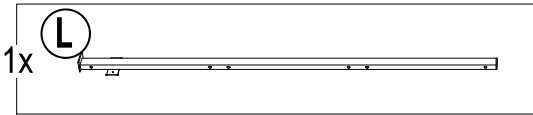
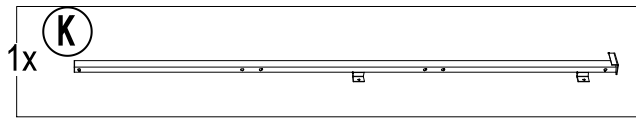
10



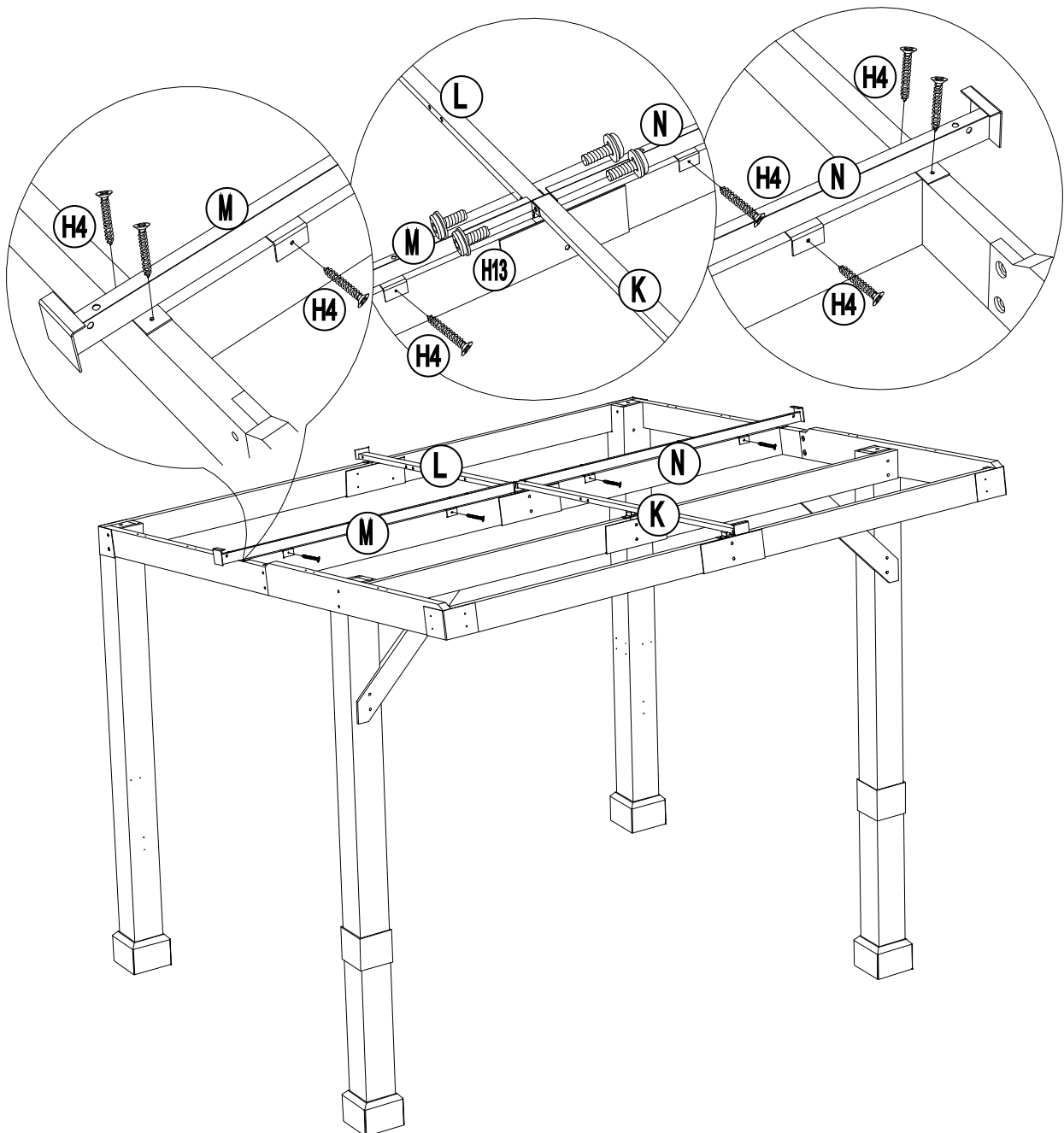
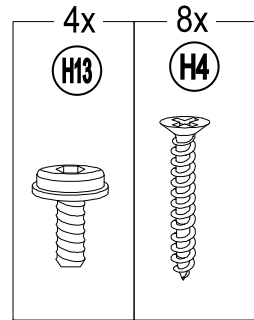
11



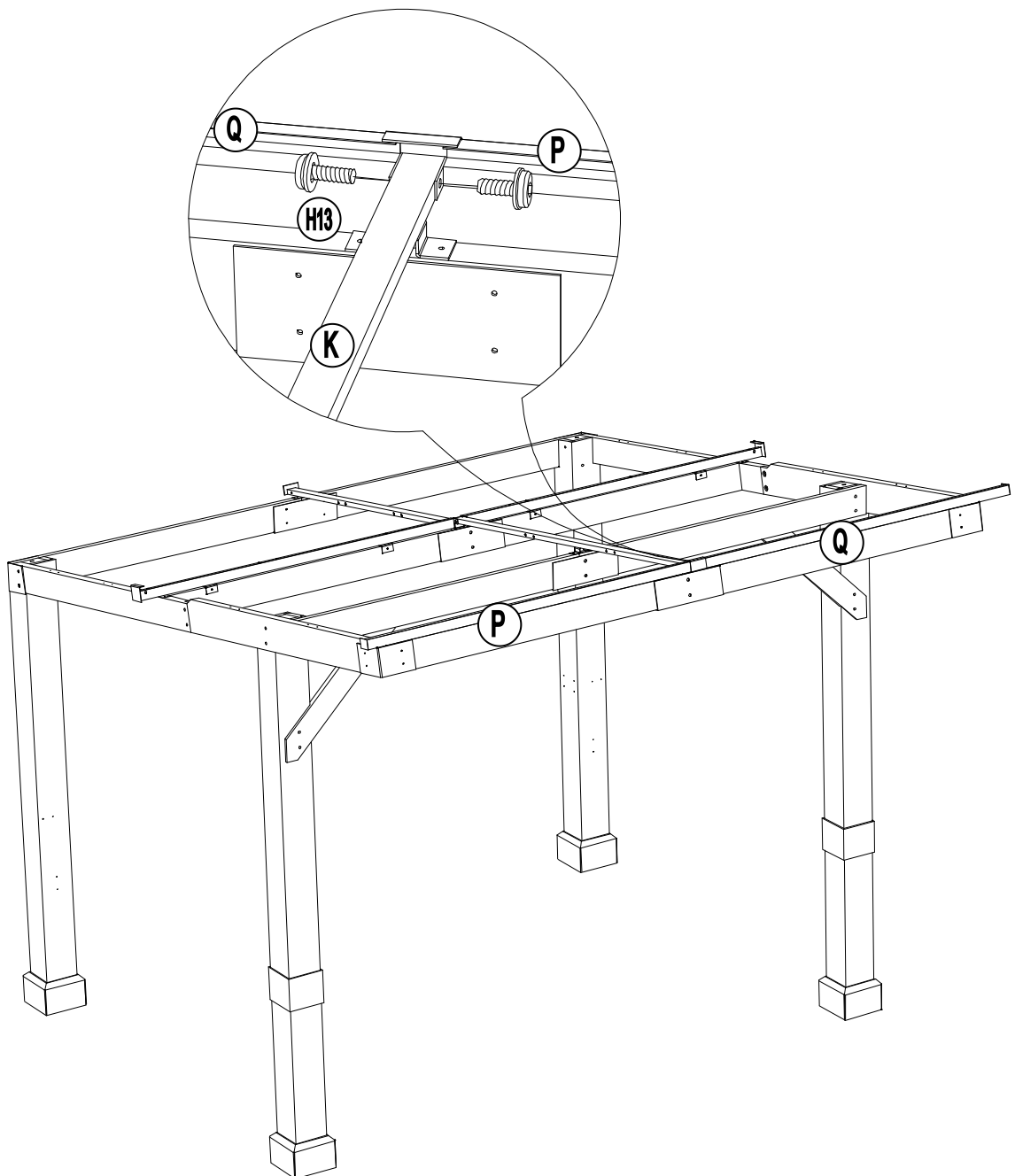
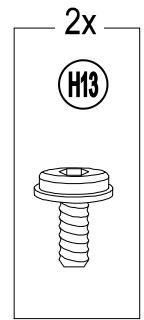
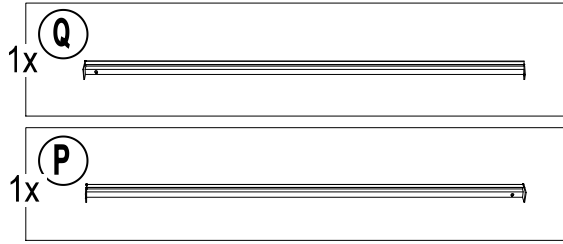
12



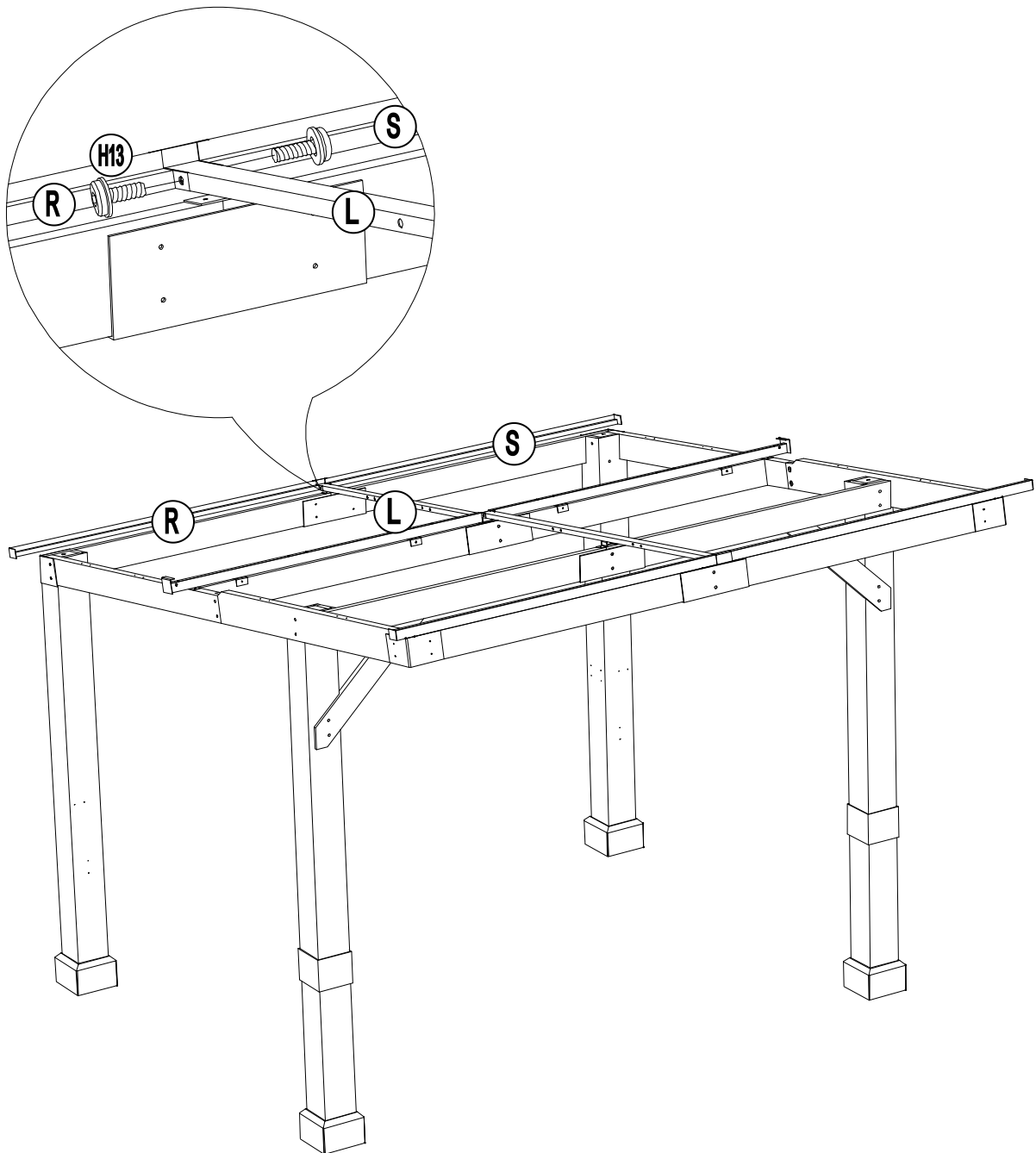
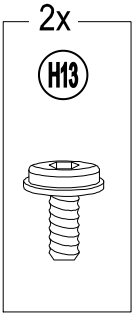
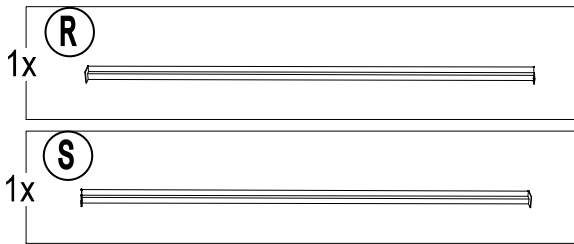
13



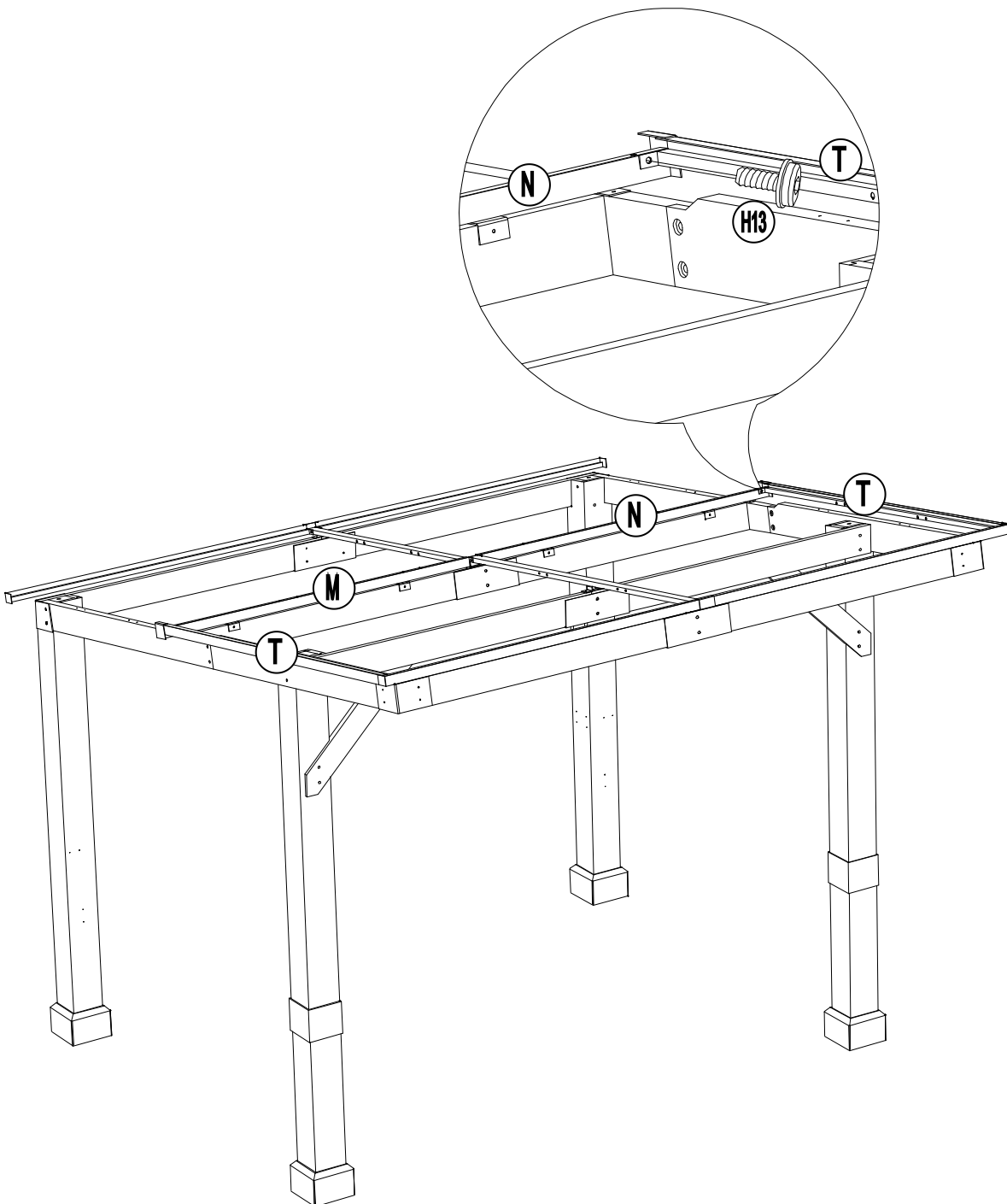
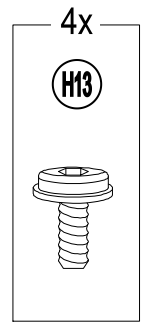
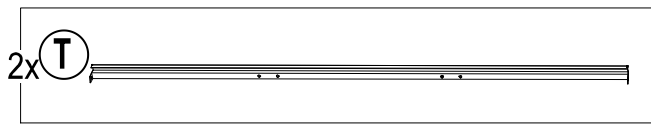
14



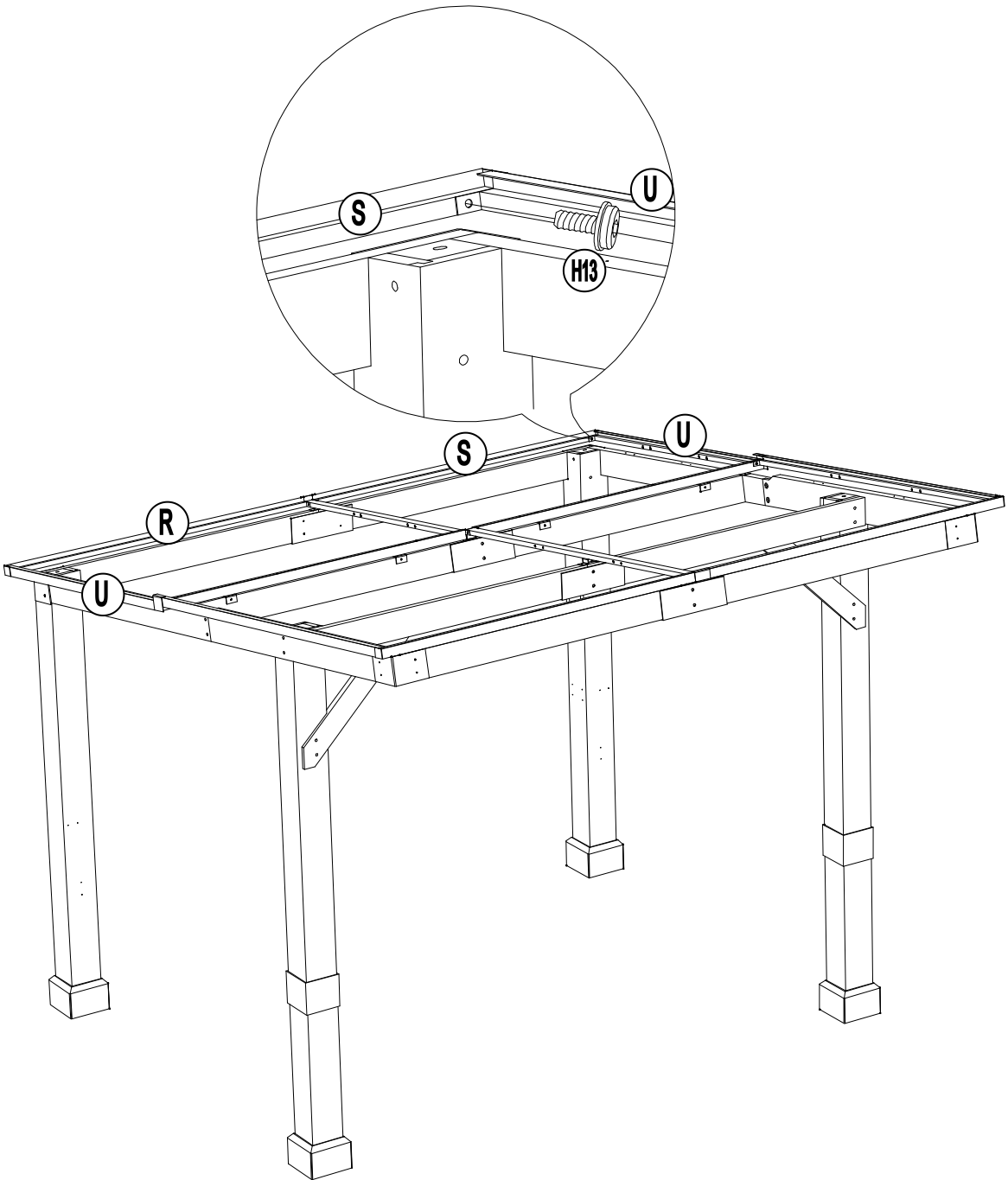
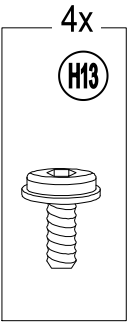
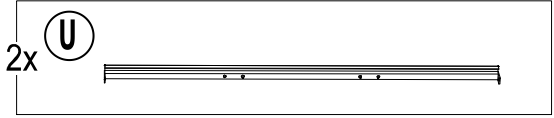
15



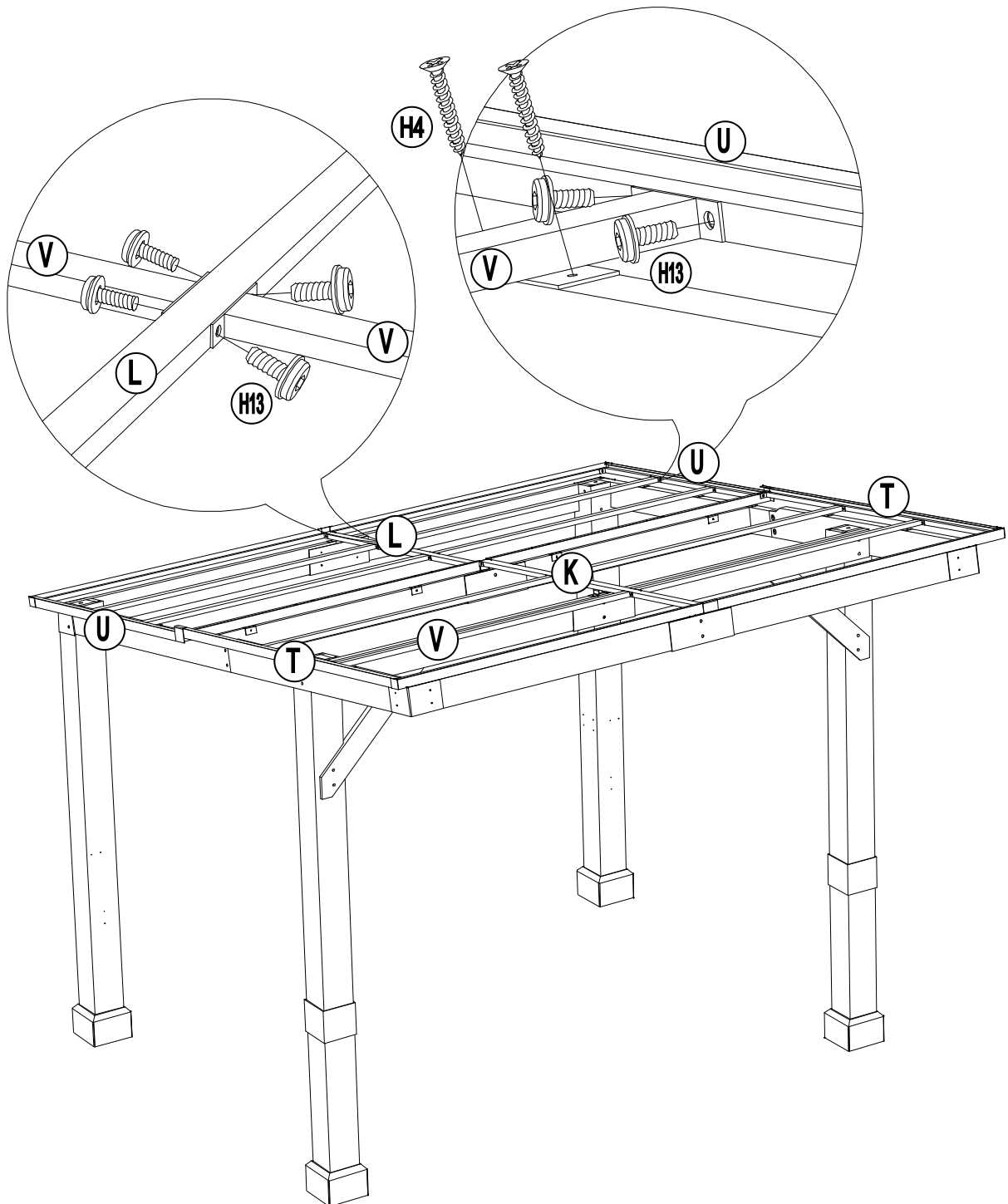
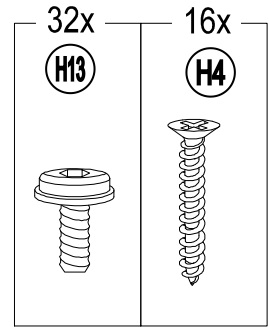
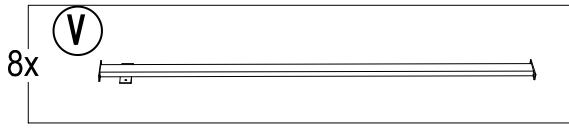
16



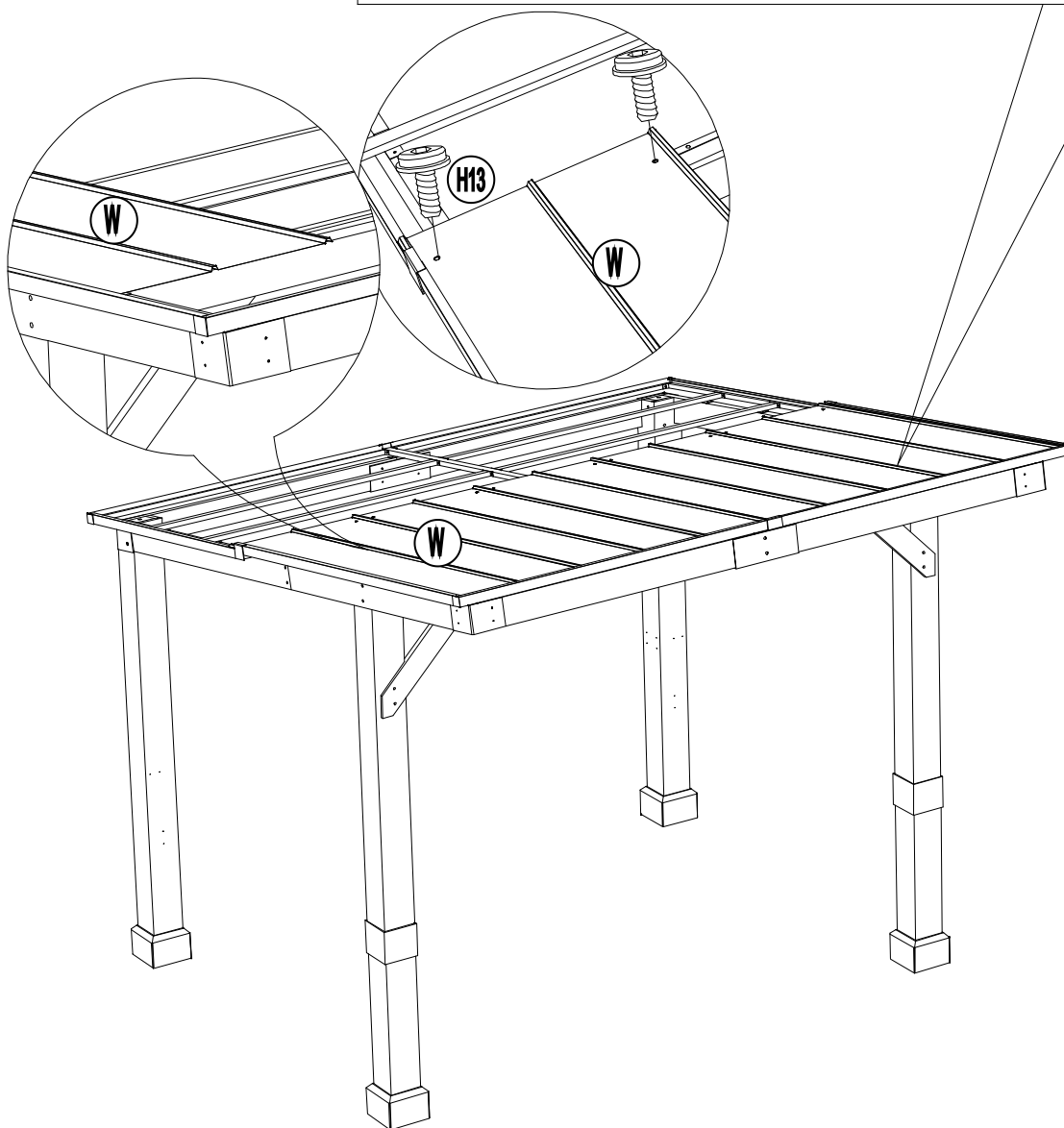
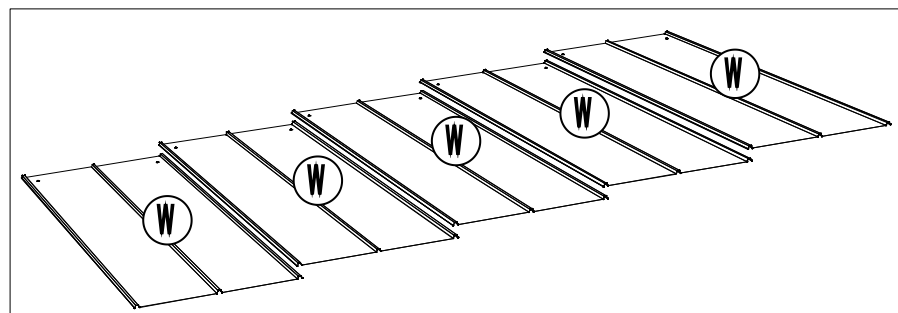
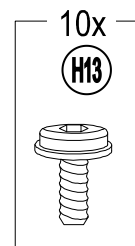
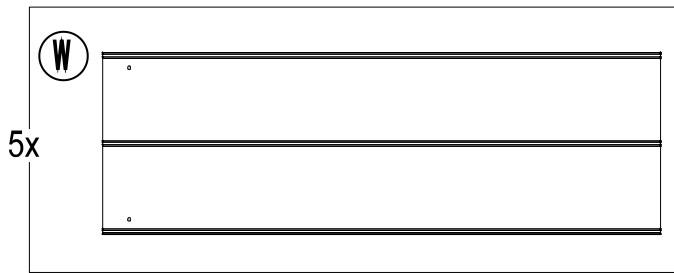
17



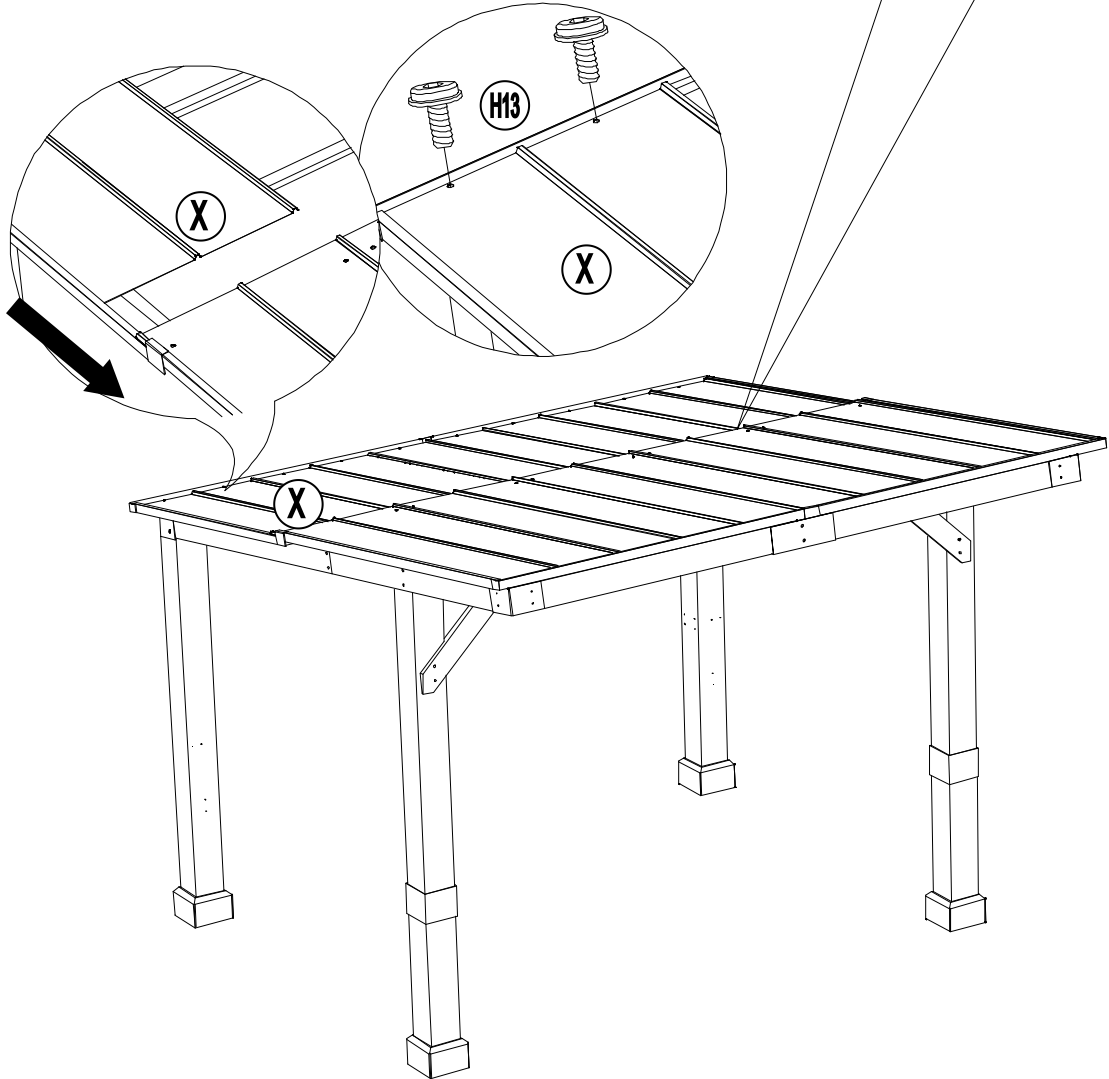
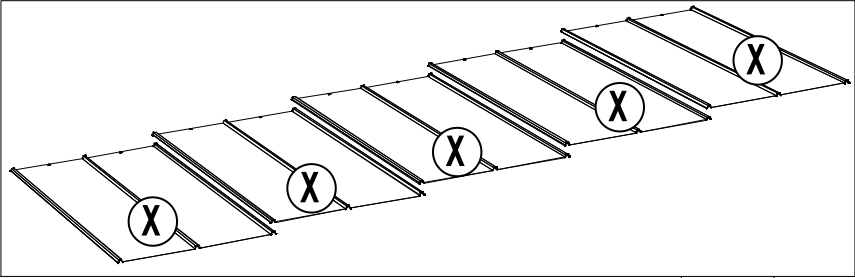
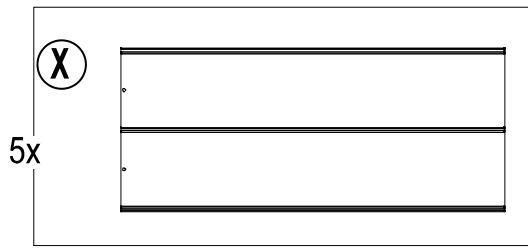
18



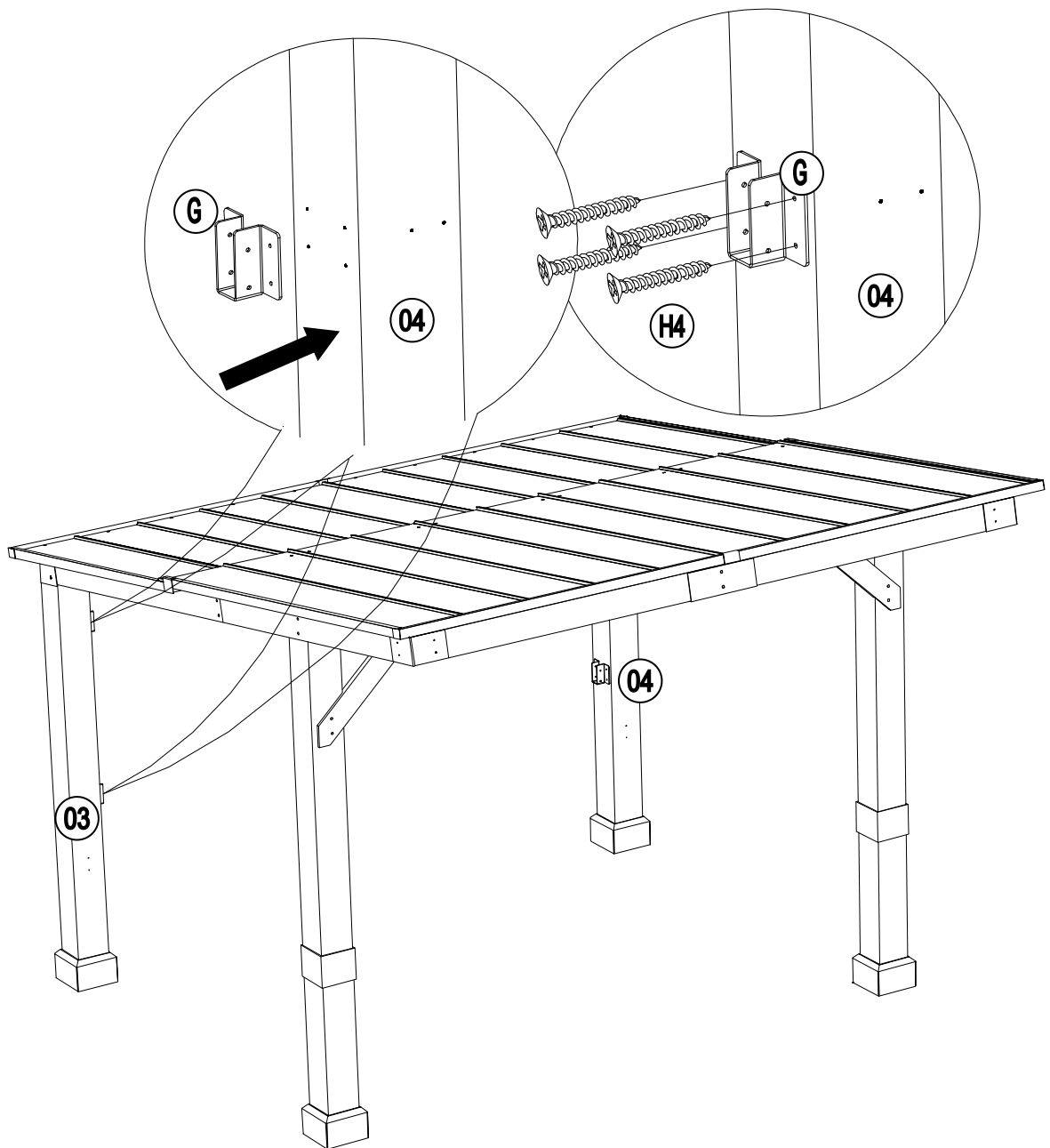
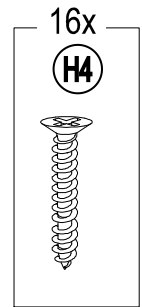
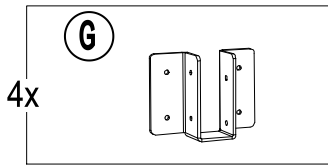
19



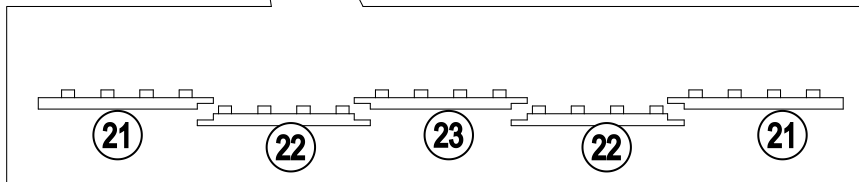
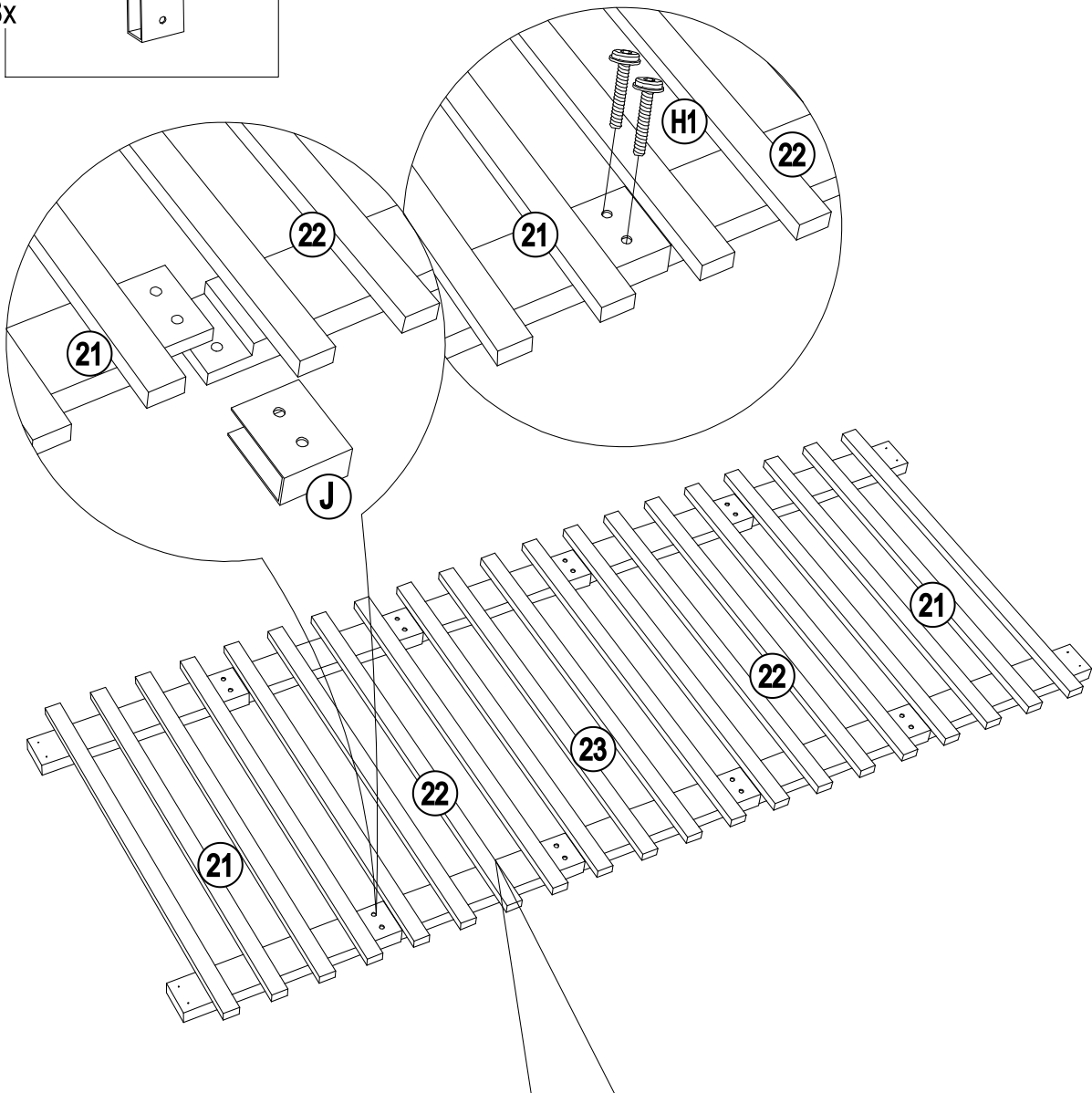
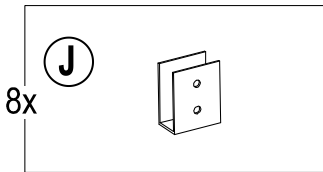
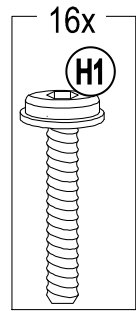
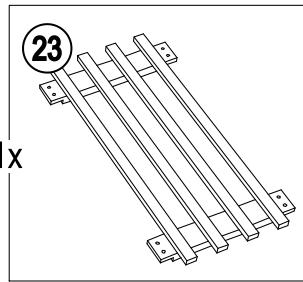
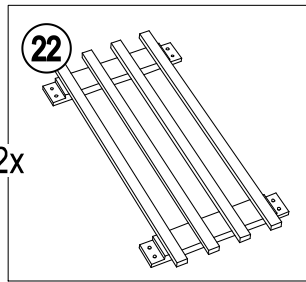
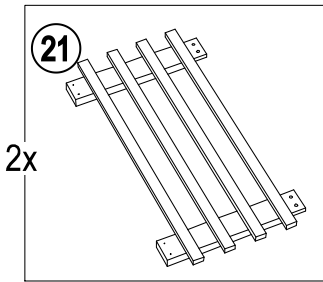
20



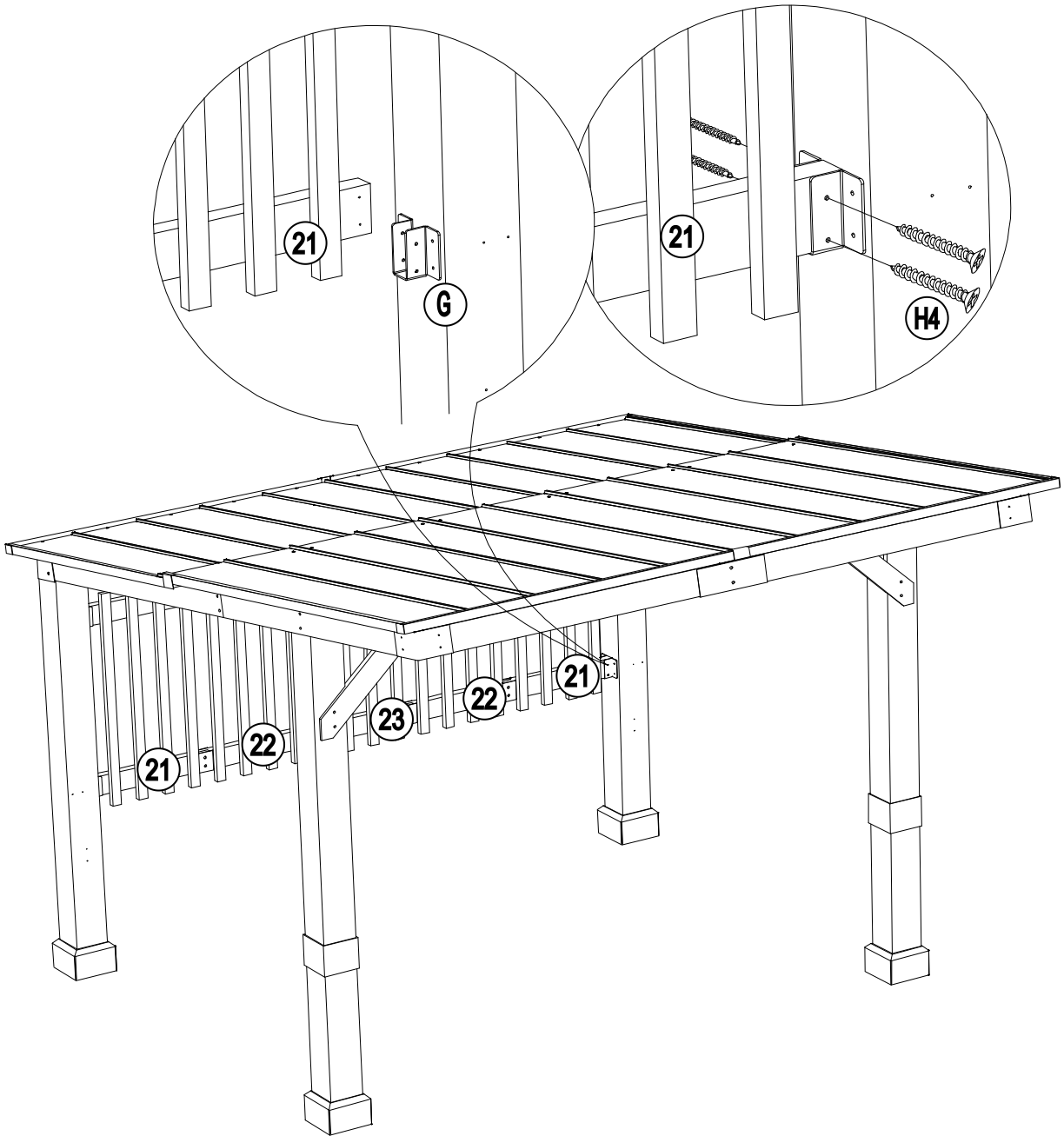
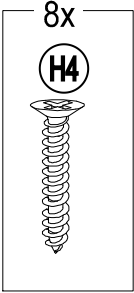
21



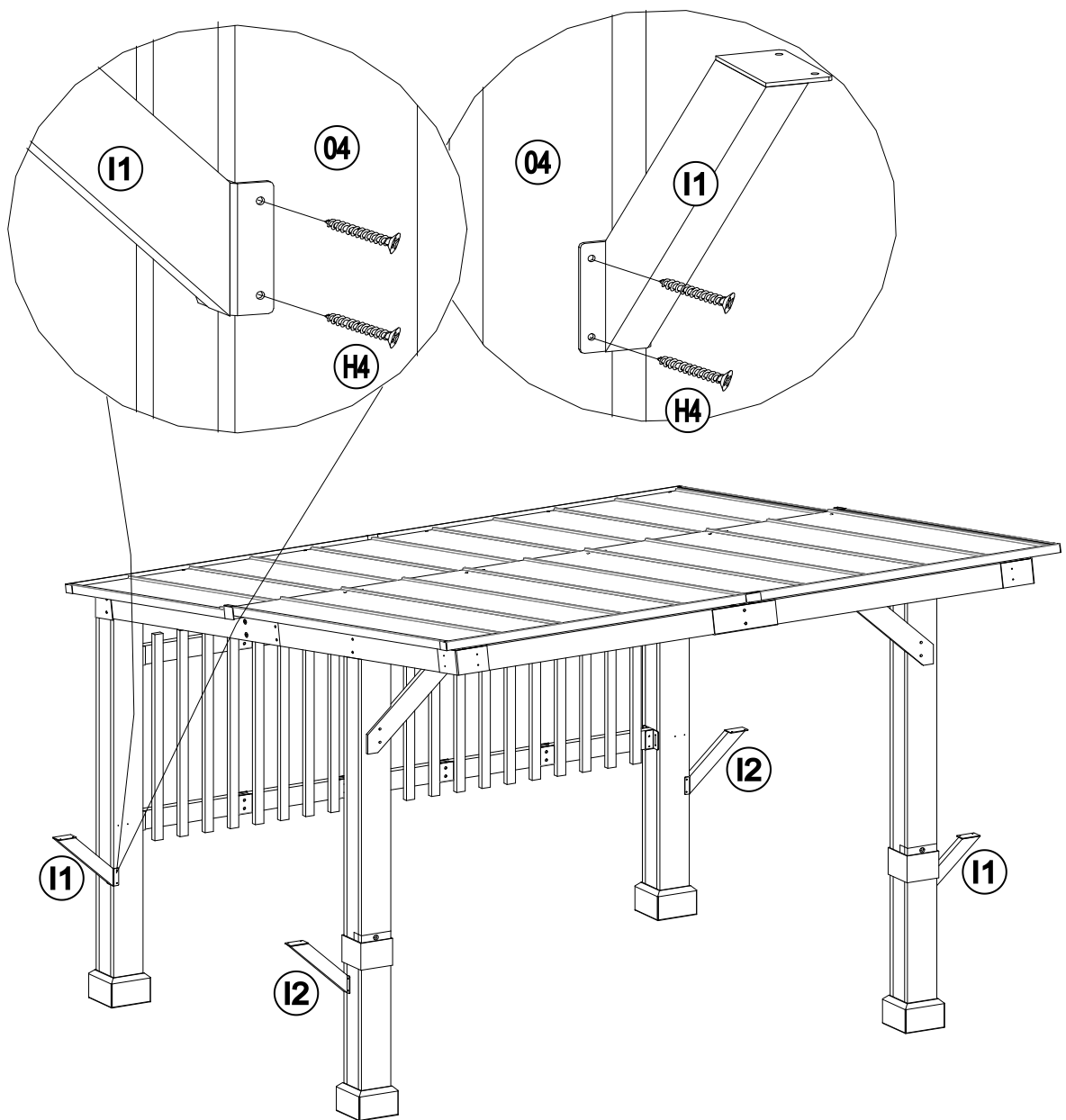
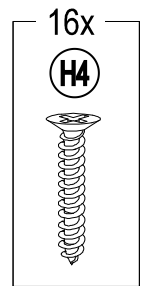
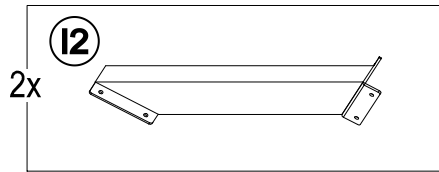
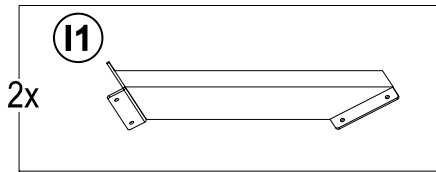
22



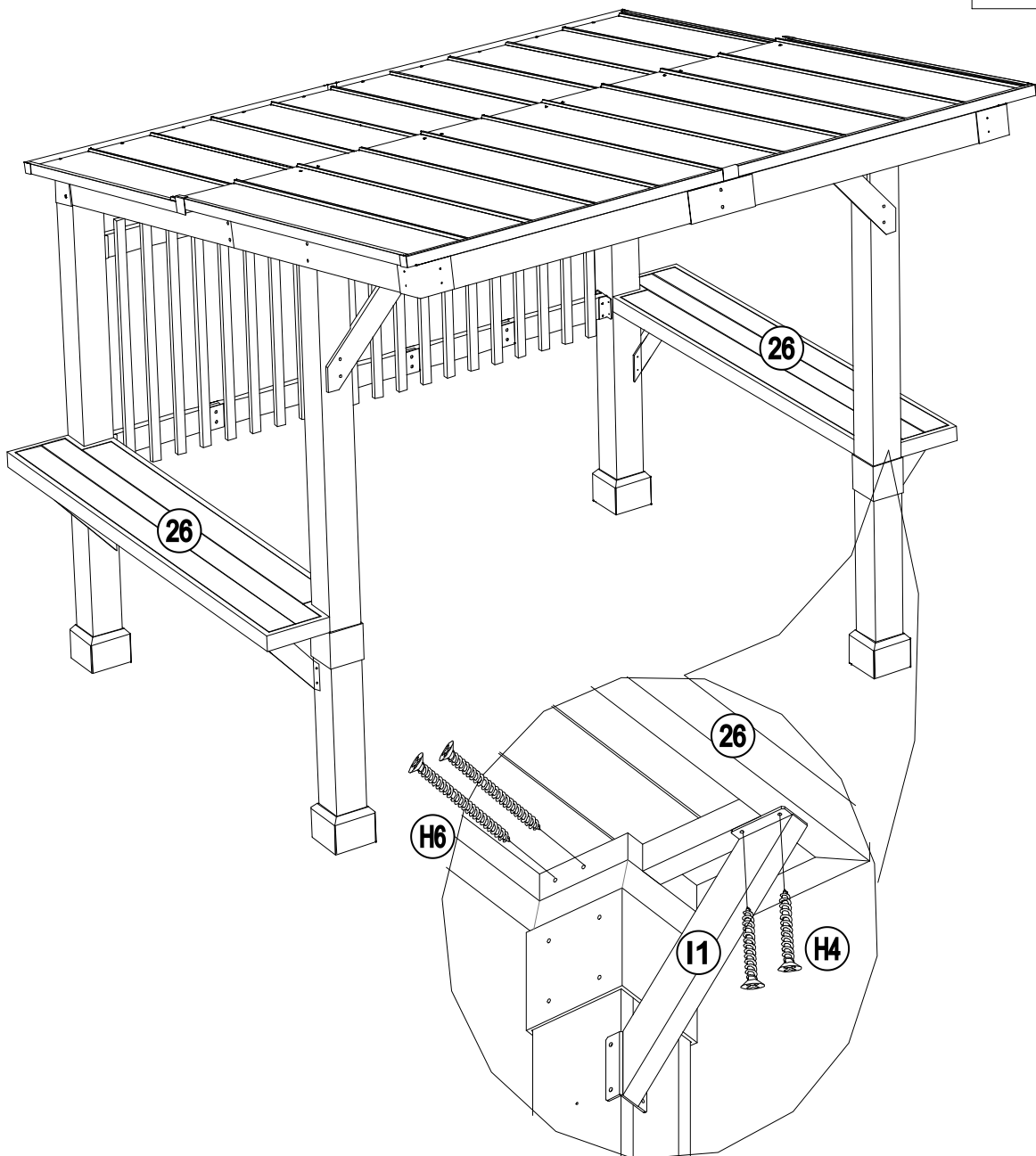
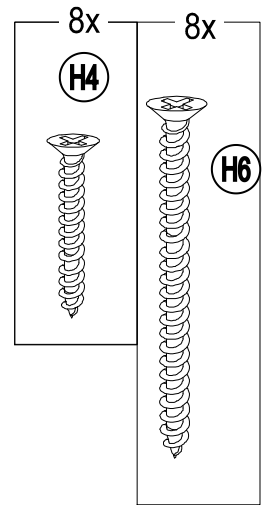
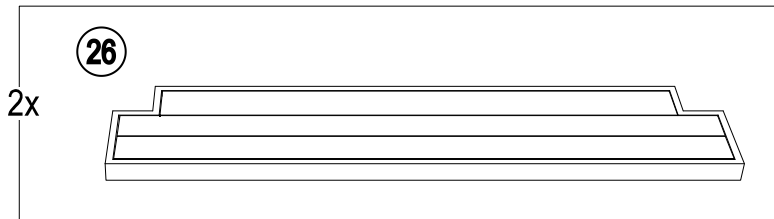
23



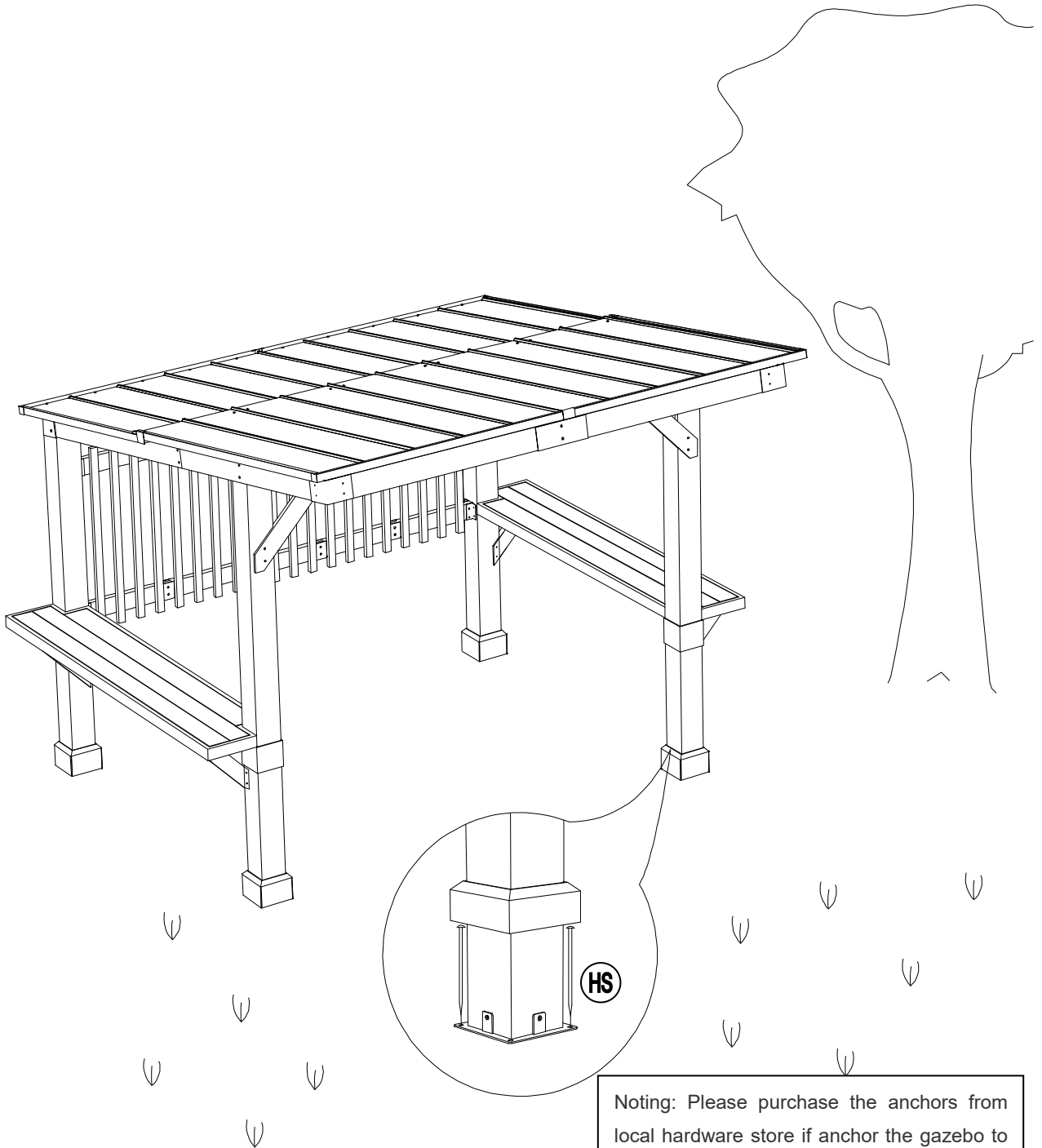
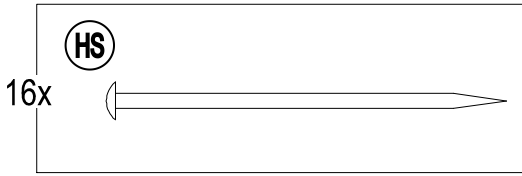
24



25



26



Noting: Please purchase the anchors from local hardware store if anchor the gazebo to concrete or wood. (Pls use expansion bolts to fix on the concrete ground or wooden deck.)



WhatsApp QR Code
service@joysidefurniture.com