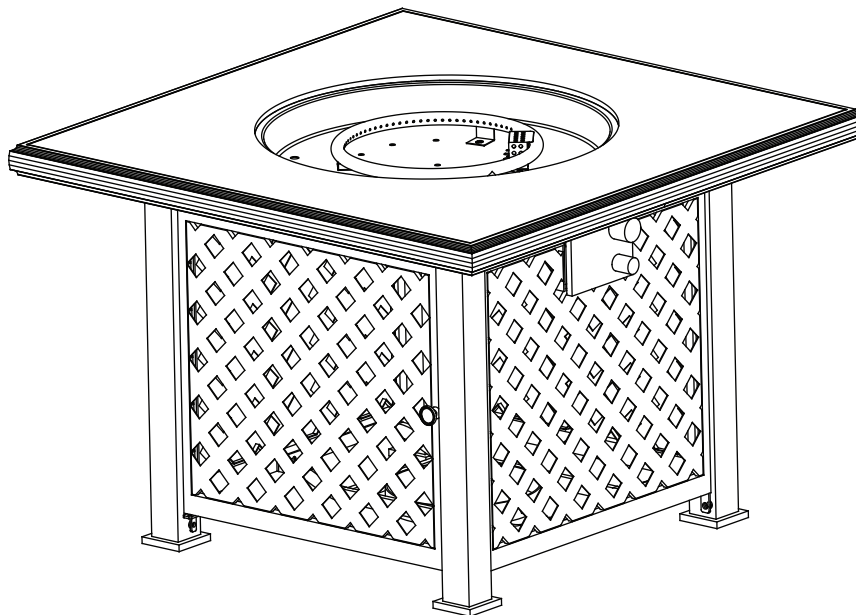


USE AND CARE GUIDE

HIGHLAND POINT 34 IN. SQUARE FIRE PIT



ANS Z21.97/CSA 2.41-2017

Outdoor Decorative Gas Appliances

Questions, problems, missing parts? Before returning to the store,
call Hampton Bay Customer Service
8 a.m. – 7 p.m., EST, Monday – Friday, 9 a.m. – 6 p.m., EST, Saturday

**1-855-HD-HAMPTON
HAMPTONBAY.COM**

THANK YOU

We appreciate the trust and confidence you have placed in Hampton Bay through the purchase of this fire pit table. We strive to continually create quality products designed to enhance your home. Visit us online to see our full line of products available for your home improvement needs. Thank you for choosing Hampton Bay!

Table of Contents

Table of Contents	2	Pre-Assembly (continued)	8
Safety information	2	Package Contents	8
Warranty	6	Assembly	9
What is Covered	6	Operation– Gas Cylinder Installation	12
What is Not Covered	6	Operation- Natural Gas Conversion	13
Pre-Assembly	7	Operation – Leak Check	15
Planning Assembly	7	Operation – Battery Installation and Lighting the Fire	
Package Contents	7	Pit	16
Hardware Included	7	Maintenance	17
		Care and Cleaning	17
		Troubleshooting	17

Safety Information

Read the instructions carefully before use. This appliance must be installed in accordance with such regulations as are enforced. Save these instructions for future use. If you are assembling this unit for someone else, give this manual to him or her to read and save for future reference.

Maximum inlet supply pressure: 13 in wc (3.24 KPa). Minimum inlet supply pressure: 8 in wc (1.99 KPa).

INSTALLER: Leave this manual with the appliance.
CONSUMER: Retain this manual for future reference

⚠ DANGER
FIRE OR EXPLOSION HAZARD

If you smell gas:

- Shut off gas to the appliance.
- Extinguish any open flame.
- If odor continues, leave the area immediately.
- After leaving the area, call your gas supplier or fire department.

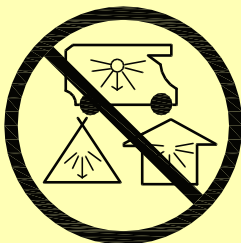
Failure to follow these instructions could result in fire or explosion, which could cause property damage, personal injury, or death.

⚠ WARNING: For Outdoor Use Only.
 Installation and service must be performed by a qualified installer, service agency, or the gas supplier.

⚠ WARNING
 Do not store or use gasoline, or other flammable vapors and liquids, in the vicinity of this or any other appliance.

An LP-cylinder not connected for use shall not be stored in the vicinity of this or any other appliance.

⚠ DANGER



CARBON MONOXIDE HAZARD

This appliance can produce carbon monoxide which has no odor. Using it in an enclosed space can kill you.

Never use this appliance in an enclosed space such as a camper, tent, car or home.

⚠ WARNING:

If the information in this manual is not followed exactly, a fire or explosion may result causing property damage, personal injury, or loss of life.

Safety Information (continued)

⚠ DANGER • FLAMMABLE GAS UNDER PRESSURE.
LEAKING LP-GAS MAY CAUSE A FIRE OR EXPLOSION IF IGNITED
CAUSING SERIOUS BODILY INJURY OR DEATH.
CONTACT LP GAS SUPPLIER FOR REPAIRS, OR DISPOSAL OF THIS
CYLINDER OR UNUSED LP-GAS.

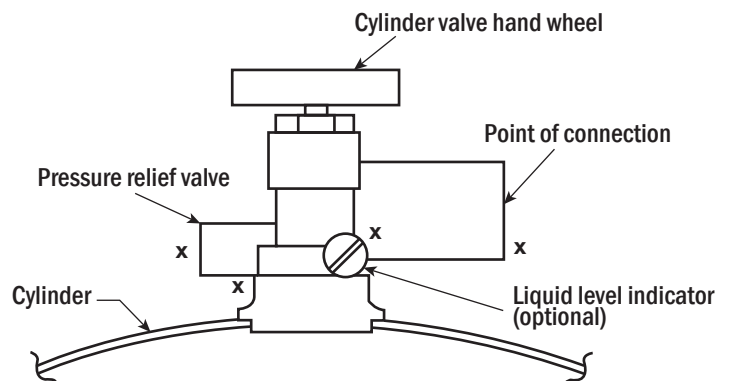
⚠ WARNING • FOR OUTDOOR USE ONLY.*
DO NOT USE OR STORE CYLINDER IN A BUILDING,
GARAGE OR ENCLOSED AREA.

⚠ WARNING:

- Know the odor of LP-gas. If you hear, see or smell leaking LP-gas, immediately get everyone away from the cylinder and call the Fire Department. Do not attempt repairs.
- Caution your LP-gas supplier to:
 - Be certain cylinder is purged of trapped air prior to first filling.
 - Be certain not to over fill the cylinder,
 - Be certain cylinder requalification date is checked.
- LP-gas is heavier than air and may settle in low places while dissipating.
- Contact with the liquid contents of cylinder will cause freeze burns to the skin.
- Do not allow children to tamper or play with cylinder.
- When not connected for use, keep cylinder valve turned off. Self contained appliances shall be limited to a cylinder of 30 lb capacity or less.
- Do not use, store or transport cylinder where it would be exposed to high temperatures. Relief valve may open allowing a large amount of flammable gas to escape.
- When transporting, keep cylinder secured in an upright position with cylinder valve turned off.

WHEN CONNECTING FOR USE:

- Use only in compliance with applicable codes.
- Read and follow manufacturer's instructions.
- Consult manufacturer's instructions concerning the cylinder connection provided with your appliance.
- Be sure regulator vent is not pointing up.
- Turn off all valves on the appliance.
- Do not check for gas leaks with a match or open flame. Apply soapy water at areas marked "x". Open cylinder valve. If bubble appears, close valve and have LP-gas service person make needed repairs. Also, check appliance valves and connections to make sure they do not leak before lighting appliance.
- Light appliance(s) following manufacturer's instructions.
- When appliance is not in use, keep the cylinder valve closed.



DO NOT REMOVE, DEFACE, OR OBLITERATE THIS LABEL
***EXCEPT AS AUTHORIZED BY ANSI/NFPA 58.**

⚠ DANGER: Do not store a spare LP cylinder under or near barbecue grill, or other heat sources.
NEVER fill an LP cylinder beyond 80% full: a fire causing death or serious injury may occur.

Safety Information (continued)

IMPORTANT SAFETY INFORMATION

1. The installation must conform with local codes or, in the absence of local codes, with the National Fuel Gas Code, ANSI Z223.1•NFPA 54; National Fuel Gas Code; Natural Gas and Propane Installation Code, CSA B149.1; or Propane Storage and Handling Code, CSA B149.2, as applicable.
2. The appliance must be isolated from the gas supply piping system by closing its individual manual shutoff valve during any pressure testing of the gas supply piping system at test pressures equal to or less than 1/2 psi (3.5 kPa).
3. The maximum inlet gas supply pressure is 250 psi.
4. The appliance area must be kept clear and free from combustible materials, gasoline, and other flammable vapors and liquids.
5. Do not use this appliance if any part has been under water. Immediately call a qualified service technician to inspect the appliance and to replace any part of the control system and any gas control that has been under water.
6. Children and adults should be alerted to the hazards of high surface temperatures and should stay away to avoid burns or clothing ignition.
7. Young children should be carefully supervised when they are in the area of the appliance.
8. Clothing or other flammable materials should not be hung from the appliance or placed on or near the appliance.
9. Any guard or other protective device removed for servicing the appliance shall be replaced prior to operating the appliance.
10. Installation and repair should be done by a qualified service person. The appliance should be inspected before use and at least annually by a qualified service person. More frequent cleaning may be required as necessary. It is imperative that the control compartment, burners, and circulating air passageways of the appliance are kept clean.
11. CAUTION: The propane gas pressure regulator provided with this appliance must be used. This regulator is set for an outlet pressure of 11 inches water column.
12. DO NOT burn solid fuels in this appliance.
13. This outdoor gas appliance is for Outdoor Use ONLY.
14. This outdoor gas appliance is not intended to be installed in or on recreational vehicles and/or boats.
15. This outdoor appliance is not for use on wood decks or other flammable surface.
16. Before each use of this gas appliance, open the door and/or the LP (Liquid Propane) Tank Drawer and inspect the hose. If there is evidence of excessive abrasion or wear or if the hose is damaged, the hose assembly must be replaced prior to the appliance being put into operation. Use only the replacement hose assembly specified in this manual. Make sure to leak test.
17. Before each use of this gas appliance, inspect the burner. The burner must be replaced prior to the appliance being put into operation if it is evident that the burner is damaged. Use only the replacement burner specified in this manual.
18. Make sure to properly locate the gas hose including locating the hose out of pathways where people may trip over it or in areas where the hose may be subject to accidental damage.
19. Keep the fuel supply hose away from any heated surface.
20. Never use this appliance closer than 10 feet from anything flammable, including houses or overhead tree branches.
21. Never use gasoline, kerosene, or any other liquid fuel to start a fire.
22. Always maintain a safe distance from the fire.
23. Always supervise children around the fire.
24. Never leave a fire unattended.
25. The appliance is hot during and after use, always allow ample cooling time before touching or moving.
26. CAUTION: This fire pit is equipped with natural lava rock that may crackle or pop the first time it is used. Lava rock has been pre-heat treated. However, in rare cases on first time use, lava rock may pop or burst causing small pieces of hot rock to fly out of the fire pit. These hot pieces could cause injury or property damage.

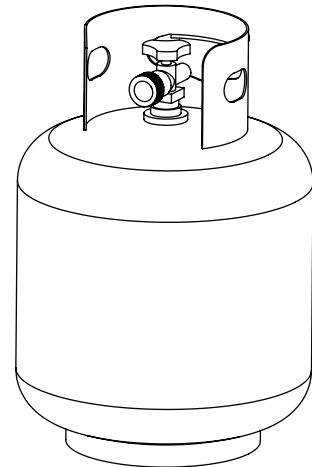
Safety Information (continued)

IMPORTANT SAFETY INFORMATION -PROPANE LP GAS

1. The LP-gas supply cylinder to be used must be constructed and marked in accordance with the U.S. Department of Transportation (D.O.T.) Specifications for LP-Gas Cylinders, or the Standard for Cylinders, Spheres and Tubes for Transportation of Dangerous Goods and Commission, CAN/CSA-B339, as applicable.
2. The LP-gas supply cylinder to be used must have a listed overfilling prevention device .
3. The LP-gas supply cylinder to be used must have a cylinder connection device compatible with the connection for the appliance.
4. A self-contained LP-gas cylinder for use with this appliance must have a capacity of 20 lbs cylinder (Height approximately 18 in., Tank Body approximately 12 in. diameter, Base approximately 8 in. diameter).
5. The cylinder supply system must be arranged for vapor withdrawal.
6. The cylinder used must include a collar to protect the cylinder valve.
7. This appliance shall be used only outdoors in a well-ventilated space and shall not be used in a building, garage or any other enclosed space.
8. When this appliance is not in use, the gas must be turned off at the supply cylinder.
9. Storage of this appliance indoors is permissible only if the cylinder is disconnected and removed from the Appliance.
10. Cylinders must be stored outdoors in a well-ventilated area out of the reach of children. Disconnected cylinders must have threaded valve plugs tightly installed and must not be stored in a building, garage or any other enclosed areas.
11. This appliance is certified by CSA (Canadian Standards Association) to **ANSI Z21.97/CSA 2.41-2017**, Outdoor Decorative Gas Appliances.

⚠ WARNING: THIS PRODUCT CAN EXPOSE YOU TO CHEMICALS INCLUDING CHROMIUM (HEXAVALENT COMPOUNDS) AND BENZENE, WHICH ARE KNOWN TO THE STATE OF CALIFORNIA TO CAUSE CANCER AND BIRTH DEFECTS OR OTHER REPRODUCTIVE HARM.
For more information go to: www.P65warnings.ca.gov/furniture.

⚠ ADVERTENCIA: ESTE PRODUCTO PUEDE EXPONERLE A QUÍMICOS INCLUYENDO CHROMIUM (HEXAVALENT COMPOUNDS) Y BENZENE, QUE SON CONOCIDOS POR EL ESTADO DE CALIFORNIA COMO CAUSANTE DE CÁNCER Y DEFECTOS DE NACIMIENTO U OTROS DAÑOS REPRODUCTIVOS.
Para mayor información, visite www.P65Warnings.ca.gov/furniture.



Standard 20 lb. tank

SPECIFICATIONS

Rated Heat Input (Liquid Propane & Natural Gas)	50,000 BTU/hr
Propane Regulator Pressure	11 inches water column
Natural Gas Inlet Pressure	7 inches water column
Clearance to combustible surfaces	Sides: 24 inches (610mm) Top: 72 inches (1829mm)

Warranty

1 YEAR LIMITED WARRANTY

WHAT IS COVERED

Fire Pits

Burner, steel fire pit bowl, all mechanical parts and fittings to control panel and burner assembly, and all fire pit tops that are not cast aluminum are warranted for a period of one (1) year from original date of purchase, against defects in material and or workmanship. Rust is not covered.

Frames

Frames are warranted to be free from defects in materials and workmanship for a period of one (1) year. Damage to frames or welds due to improper assembly or exposure to water and sub-freezing temperatures, is not covered. Breakage that is a result of product being dropped, acts of God, acts of war, etc. are not covered.

Finish

The finish is warranted against peeling, cracking, or blistering for a period of one (1) year provided the product has not been scratched or abraded. Scratches and chips resulting from normal wear and tear are not covered. Fading resulting from exposure to elements is not covered. Stains as a result of chemical spills and certain food items are not covered.

Table Tops

All table tops are warranted for a period of one (1) year from original date of purchase, against defects in material and or workmanship. Breakage, discoloration, staining, and or any other weather related issues are not covered.

WHAT IS NOT COVERED

Failure caused by unreasonable or abusive use. Fire pits that were clearance items, display models or items purchased in an "as is" condition, freight damage, fire pit damaged by acts of nature, vandalism, fire, abuse, lack of proper care and maintenance, or improper assembly; straps and normal fading or discoloration from exposure to elements, oils, spills, fluids or chemicals; Table top against breakage; hardware against corrosion or rusting; buckling or splitting of tubing resulting from exposure to water and freezing temperatures; glass table tops, purchased or replacement parts; plastics. Also excluded: loss of use of time and or inconvenience, money, travel, packaging or any other consequential or incidental damages. In no event shall Foremost Groups Inc. responsibility exceed the value of the replacement product. Warranty is to the original purchaser when items are purchased from one of our authorized retailers and is not transferable. All warranty claims must be submitted with a dated register receipt within the warranty period. Should replacement of the warranted item be unavailable, Foremost Groups Inc. reserves the right to substitute items of our choice similar in style, color and quality. For quality control purposes and verification, we reserve the right to request photographs of the damage item(s). The terms of this warranty are subject to change without notice.

Contact the Customer Service Team at 1-855-HD-HAMPTON or visit www.Hamptonbay.com.

Pre-Assembly

PLANNING ASSEMBLY

Please read this entire instruction manual before beginning assembly.

Identify all parts packed in carton using the parts lists. Remove all protective materials. If any parts are missing or damaged, do not attempt to assemble.



NOTE: Place parts on a nonabrasive surface to avoid scratching.

TOOLS REQUIRED (NOT INCLUDED)

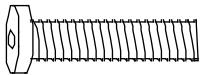


Phillips
screwdriver

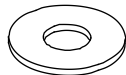
HARDWARE INCLUDED



NOTE: Hardware not shown to actual size.



AA



BB

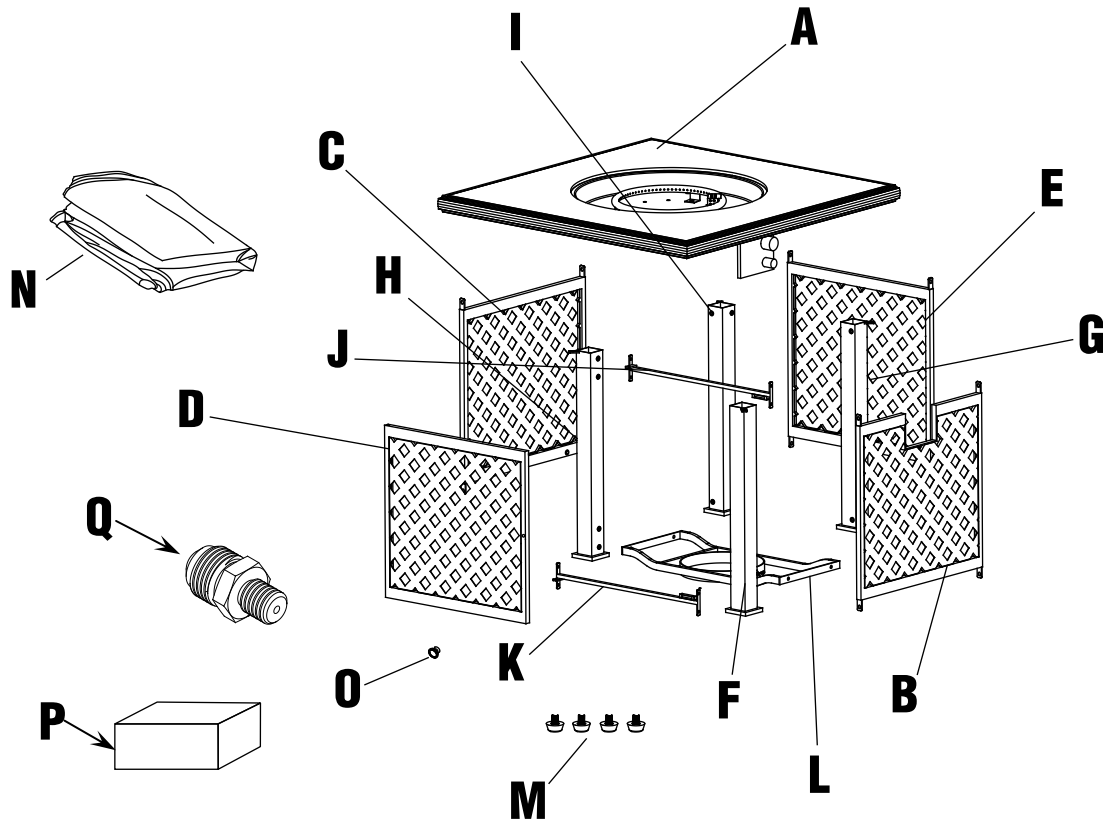


CC

Part	Description	Quantity
AA	Bolt (M6x15)	30
BB	Washer	30
CC	Hex screw driver	1

Pre-Assembly (continued)

PACKAGE CONTENTS



Part	Description	Quantity
A	Table top assembly	1
B	Right panel	1
C	Left panel	1
D	Door	1
E	Back panel	1
F	Front-right leg	1
G	Back-right leg	1
H	Front-left leg	1
I	Back-left leg	1
J	Upper beam	1
K	Bottom beam	1
L	Gas cylinder support	1
M	Foot glider	4
N	Weather cover	1
O	Handle assembly	1
P	Lava rock (13.2 lbs)	2 package
Q	Natural gas orifice	1

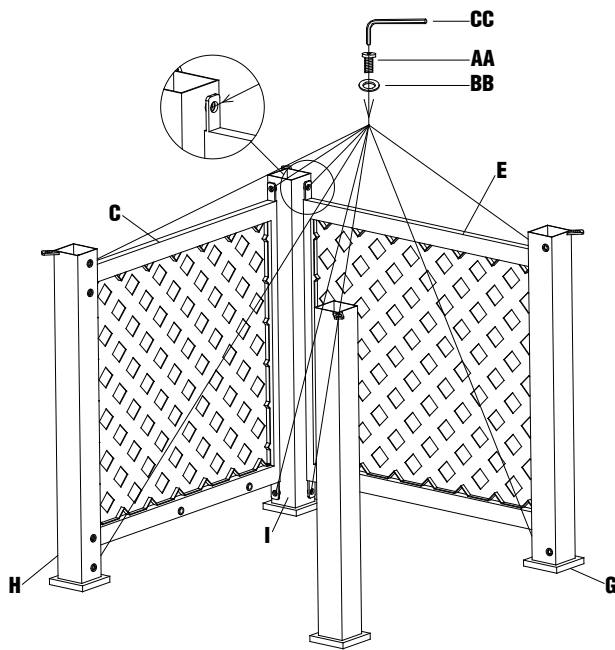
Assembly

1 Attaching the left panel and back panel

- Attach the Left Panel (C) to the Front-Left Leg (H) and Back-Left Leg (I) with four Bolts (AA) and four Washers (BB) using the Hex Screw Driver (CC).
- Attach the Back Panel (E) to the Back-Right Leg (G) and the Back-Left Leg (I) with four Bolts (AA) and four Washers (BB) using the Hex Screw Driver (CC).



NOTE: Do not tighten bolts completely until assembly is complete.

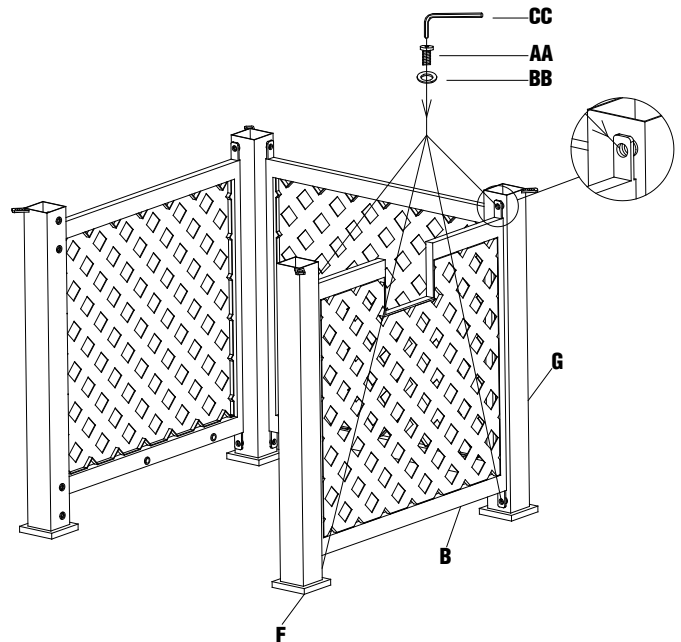


2 Attaching the right panel

- Attach the Right Panel (B) to the Front-Right Leg (F) and the Back-Right Leg (G) with four Bolts (AA) and four Washers (BB) by using the Hex Screw Driver (CC).



NOTE: Do not tighten bolts completely until assembly is complete.



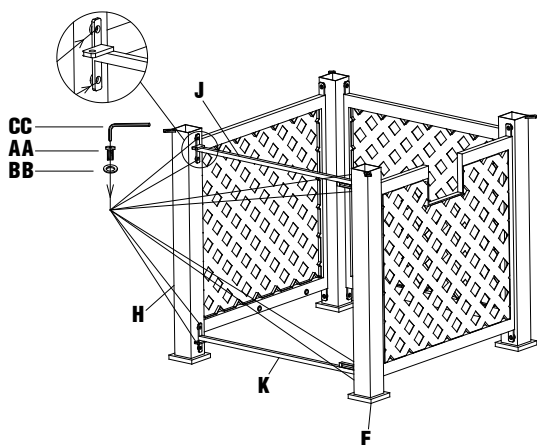
Assembly (continued)

3 Attaching the upper beam and bottom beam

- Attach the Upper Beam (J) to the Front-Left Leg (H) and the Front-Right Leg (F) with four Bolts (AA) and four Washers (BB) using the Hex Screw Driver (CC).
- Attach the Bottom Beam (K) to the Front-Left Leg (H) and the Front-Right Leg (F) with four Bolts (AA) and four Washers (BB) using the Hex Screw Driver (CC).



NOTE: Do not tighten bolts completely until assembly is complete.

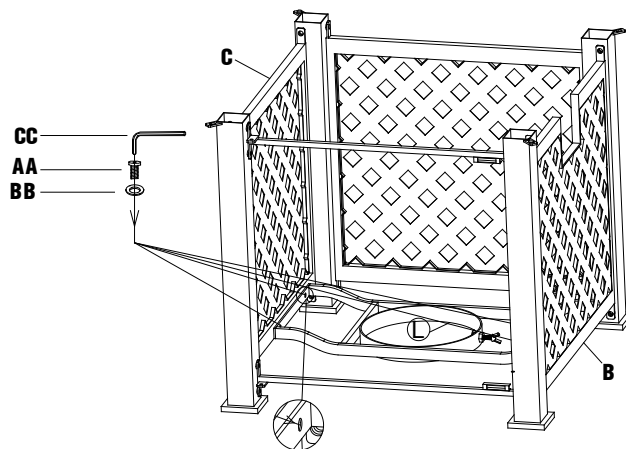


4 Attaching the gas cylinder support

- Attach the Gas Cylinder Support (L) to the Right Panel (B) and the Left Panel (C) with four Bolts (AA) and four Washers (BB) using the Hex Screw Driver (CC).



NOTE: Do not tighten bolts completely until assembly is complete.

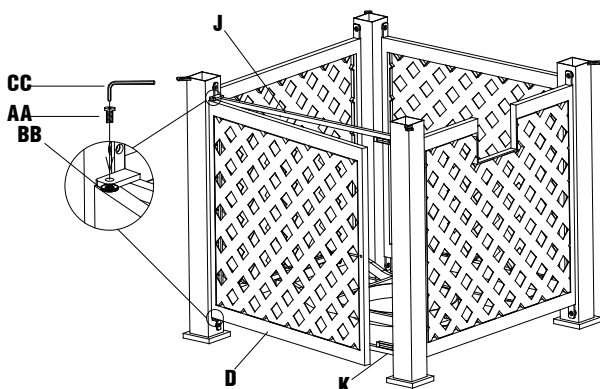


5 Attaching the door

- Attach the Door (D) to the Upper Beam (J) and the Bottom Beam (K) with two Bolts (AA) and two Washers (BB) using the Hex Screw Driver (CC).



NOTE: Do not tighten bolts completely until assembly is complete.

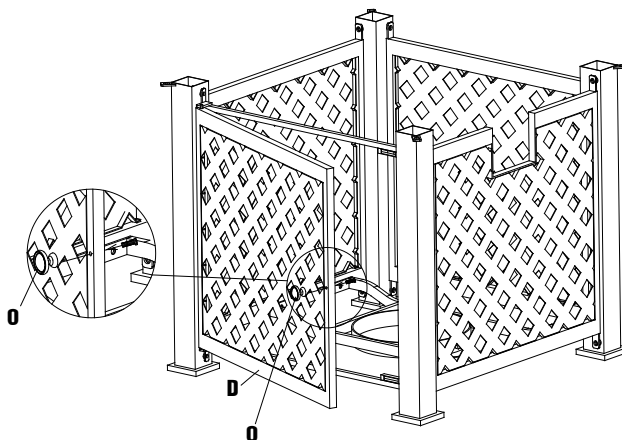


6 Attaching the handle assembly

- Un-screw the Handle Assembly (O), attach the Handle to the Door (D) using a Phillips screw driver, then screw it tightly.



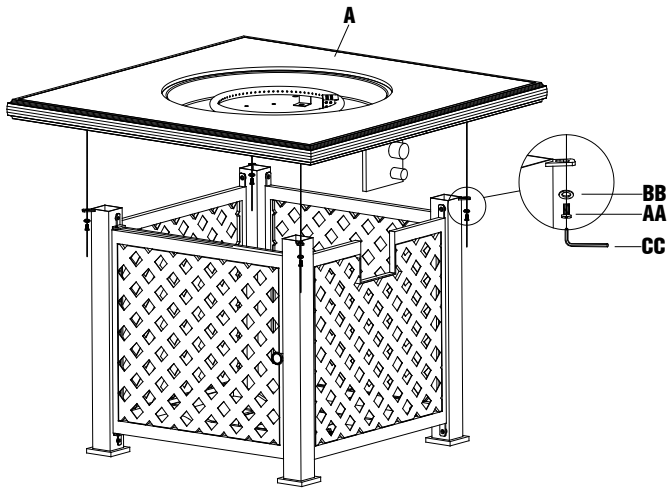
NOTE: Do not tighten bolts completely until assembly is complete.



Assembly (continued)

7 Attaching the table top assembly

- Attach the assembled base to the Table Top Assembly (A) with four Bolts (AA) and four Washers (BB) by using the Hex Screw Driver (CC).
- Tighten all bolts completely.



FOR YOUR SAFETY: Surfaces of fire pit can remain extremely hot for a period after use. Allow 45 minutes to cool down before touching or moving the fire pit.

8 Placing the lava rocks in the burner

- Place the Lava Rock (P) around the burner, and then remove the label from the pilot box.
- A gas fire pit requires 13.2 lbs lava rock.



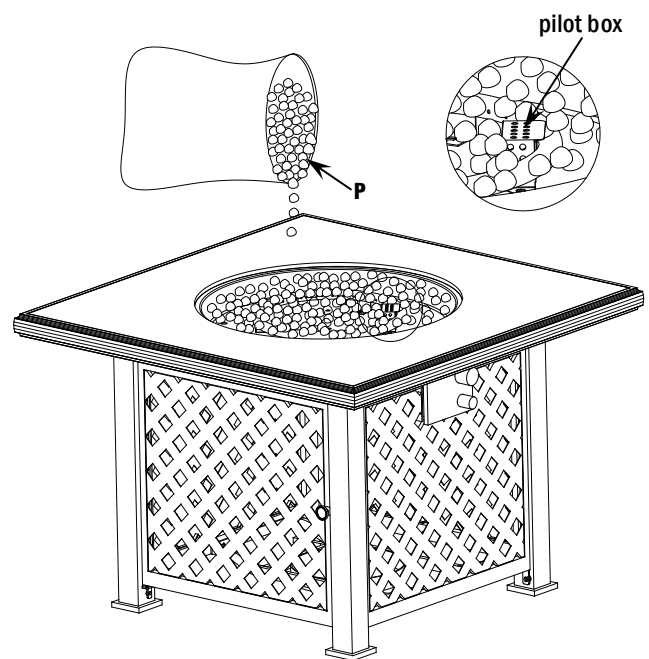
WARNING: Keep children away during assembly, as this item contains lava rocks, which are small pieces and can be swallowed by children.



NOTE: DO NOT completely cover the burner element or block the pilot box with the lava rocks.



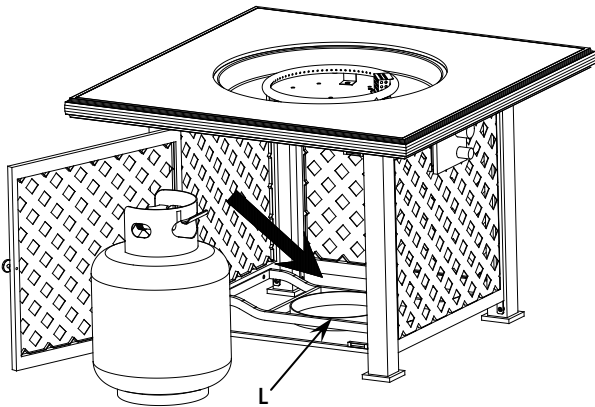
CAUTION: This fire pit is equipped with natural lava rock that may crackle or pop the first time it is used. Lava rock has been pre-heat treated. However, in rare cases on first time use, lava rock may pop or burst causing small pieces of hot rock to fly out of the fire pit. These hot pieces could strike somebody's face during the process of lighting the fire pit, stay away from the fire pit for the first 20 minutes after igniting.



Operation – Gas Cylinder Installation

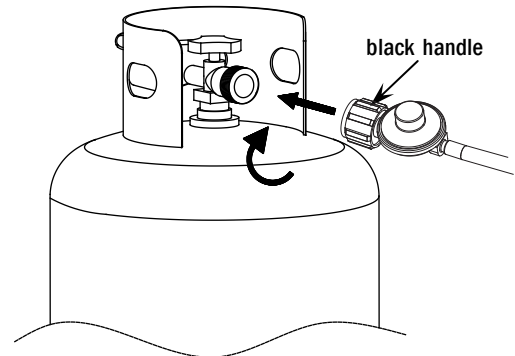
1 Installing the gas cylinder

- Open the door and place the gas cylinder into the Gas Cylinder Support (L).



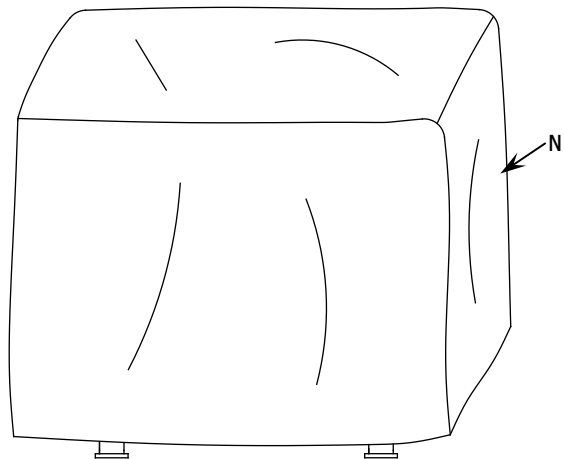
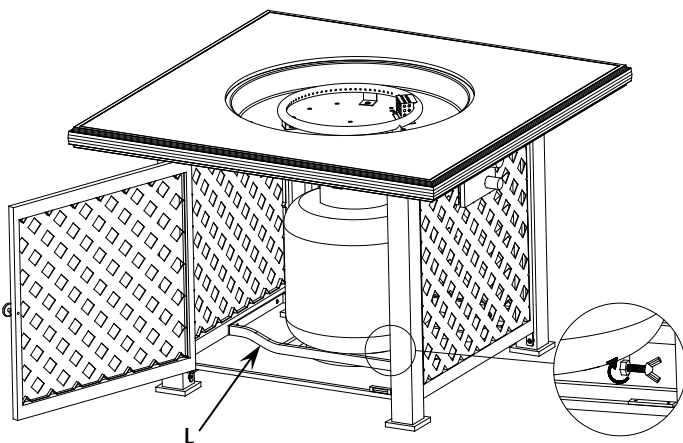
2 Connecting the gas cylinder

- Connect the regulator, screw the black handle clockwise to tighten, turn the black handle counterclockwise to remove. The hose must point down. The knob on the control panel is turned all the way to the “OFF” position when the fire pit is NOT in use.



3 Securing the gas cylinder and covering the fire pit

- Secure the gas cylinder by tightening the butterfly screw found on the Gas Cylinder Support (L) clockwise, so that the gas cylinder cannot move from side to side or fall down.
- Close the Door (D). Cover the fire pit with the Weather Cover (N) when not in use to protect it from the elements or when fire pit is cool COMPLETELY after use.



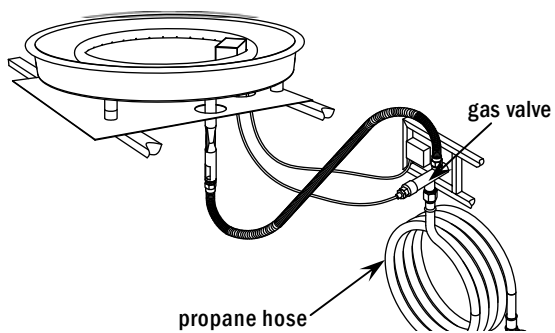
Operation - Natural Gas Conversion

1 Disconnecting the propane hose

- Disconnect the propane hose from the gas valve.

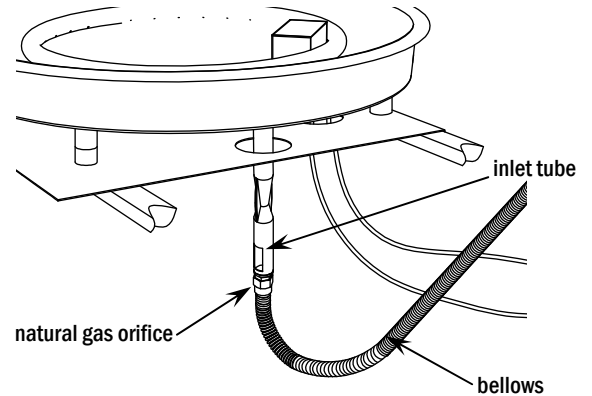


CAUTION: Natural gas conversion must be performed only by natural gas provider or service company.



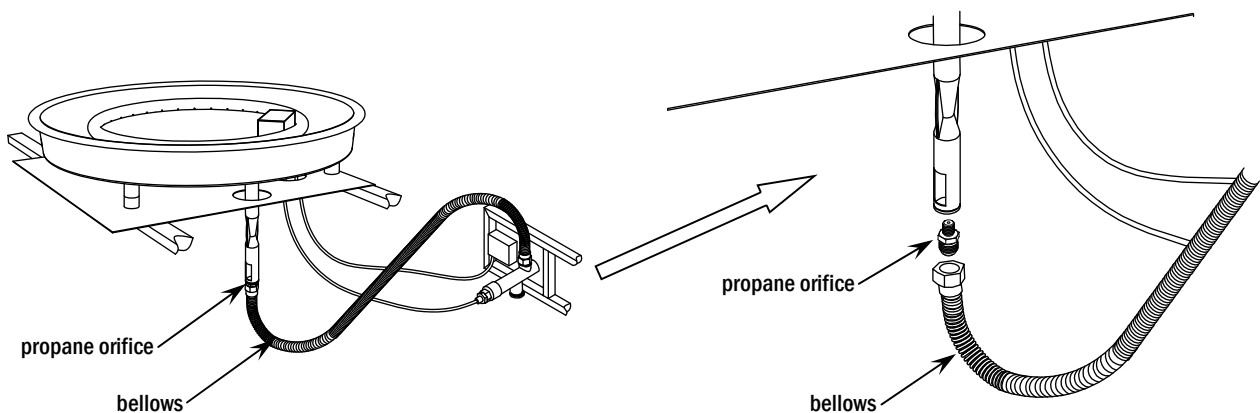
3 Replacing with the natural gas orifice

- Replace the propane orifice with the natural gas orifice, screw the natural gas orifice with the bellows tightly, then connect and tighten the natural gas orifice with inlet tube.
- The natural gas orifice (4.18 mm diameter size) is painted with black mark.



2 Disconnecting the propane orifice

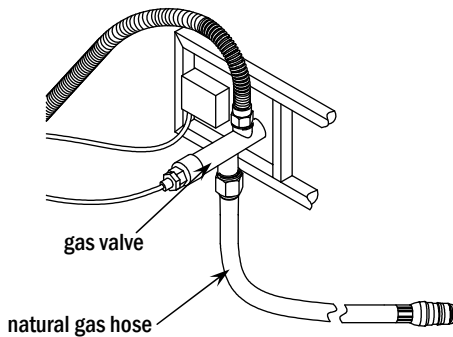
- Unscrew and disconnect the propane orifice from the bellows.
- Propane orifice (2.21 mm diameter size) is painted with red mark.



Operation - Natural Gas Conversion (continued)

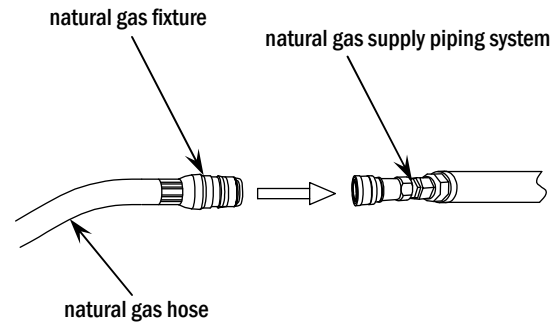
4 Disconnecting the propane hose

- Connect the natural gas hose with the gas valve by screwing clockwise tightly. Conversion kit should be CSA certified and purchased from the market, the conversion kit hose connector and quick disconnect listed as below.
(1). Part# DH22 / QH1, manufacturer: KSUN
or (2). Part# WH02 / KJ50A2, manufacturer: Laite
or (3). Part# KJ-3/8G-3/8 / KJ-3/8G, manufacturer: Wanan
The natural gas orifice is included in the package. Please follow the instructions for gas conversion.



5 Connecting to the natural gas supply piping system

- Plug the natural gas fixture into the natural gas supply piping system.



6 Applying the conversion label to the propane rating plate

- Stick and cover the conversion label onto the propane rating plate.

conversion label

<p>Foremost Groups, Inc. 906 Murray Road, East Hanover, NJ 07936, U.S.A.</p> <p>Model No: Serial No:</p> <p>WARNING: Do not store or use gasoline, or other flammable vapors and liquids, in the vicinity of this or any other appliance. An LP-cylinder not connected for use shall not be stored in the vicinity of this or any other appliance.</p> <p>Complies with ANS Z21.97-2017 • CSA 2.41-2017, Outdoor Decorative Gas Appliance Standards. Cover must be removed when burner is in operation. Removal of this marking will void compliance with standard ANS Z21.97-2017 • CSA 2.41-2017. Do not connect to a remote gas supply.</p> <p>WARNING: If the information in this manual is not followed exactly, a fire or explosion may result causing property damage, personal injury, or loss of life.</p> <p>WARNING: Placing the cylinder too close to the appliance might cause the fire hazard or property loss or even life hazard.</p> <ul style="list-style-type: none">• The instruction manual contains important information necessary for the proper assembly and safe use of the appliance.• Read and follow all warnings and instructions before assembling and using the appliance.• Follow all warnings and instructions when using the appliance.• If instructions or parts are missing, contact Foremost Groups Customer Relations Department toll free number at 1-855-390-5474 or 1-800-443-1410 (USA) or 001-855-286-4931 (Int) between the hours of 8:30 am and 5:00 pm EST, Monday through Friday or fax your request to (973) 428-8026 or email us at customerservice@foremostgroups.com	<p>CAUTION: This appliance has been converted to use natural gas. Propane orifice dia 2.21 mm, natural gas orifice dia 4.18 mm. Rated Heat Input: 50,000BTU/hr (14.65 kW). Type Gas: Natural gas Manifold Pressure: 7 inches water column (1.74 kPa). This appliance was converted on _____ (day-month-year) to _____ by _____ (insert gas type: e.g. Natural or Propane) gas with Kit No. _____ (name and address of organization making this conversion), which accepts the responsibility that this conversion has been properly made.</p> <p>Minimum Clearance From Unit To Combustible Construction: 72" (182.9cm) from the top, 24" (61cm) from all sides and back. For Outdoor Use Only. If Stored Indoors, Detach and Leave Cylinder Outdoors. The gas supply must be turned off at the LP-gas supply cylinder when this appliance is not in use.</p> <p>WARNING: Improper installation, adjustment, alteration, service or maintenance can cause property damage, personal injury or loss of life. Refer to the owner's information manual provided with this appliance. Installation and service must be performed by a qualified installer, service agency, or the gas supplier.</p>	<p>DESIGN CERTIFIED</p> <p>DANGER</p> <p>CARBON MONOXIDE HAZARD</p> <p>This appliance can produce carbon monoxide which has no odor. Using it in an enclosed space can kill you. Never use this appliance in an enclosed space such as a camper, tent, car or home.</p>
--	---	--

propane rating plate

Operation – Leak Check

1 Safety Information

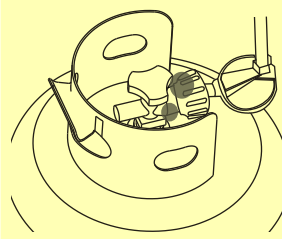
- Always perform the leak test as described below before lighting this appliance or each time the cylinder is connected for use.
- Do not smoke or allow other sources of ignition in the area while conducting a leak test.
- Conduct the leak test outdoors in a well-ventilated area.
- Do not use matches, lighters or a flame to check for leaks.
- Do not use this appliance until any and all leaks are corrected. If you are unable to stop a leak, disconnect the propane supply. Call a gas appliance service shop or your local propane gas supplier.

2 Checking for leaks

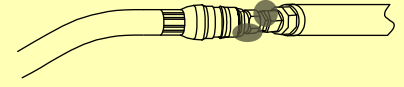


NOTE: Make sure control knob is “OFF”.

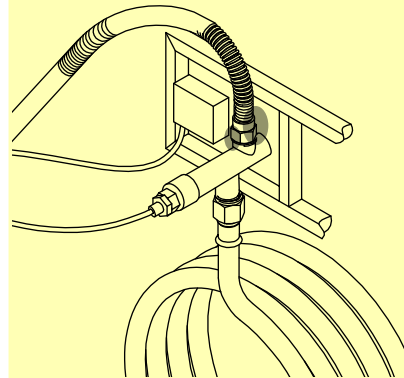
- Make 2~3 oz. of leak solution by mixing one part liquid dishwashing detergent and three parts water. **Noted: make sure control knob is “OFF”.**
- Apply several drops of solution where natural gas fixture attaches to natural gas supply piping system connection. **If NO bubbles appear, the connections are secure. If bubbles appear, the connection has the leak, disconnect, reconnect, perform another leak check. If you continue to see bubbles after several attempts, the part is defective and should replace the part.**
- Apply several drops of solution where the cylinder attaches to regulator, inspect the solution at the connection looking for bubbles. **If NO bubbles appear, the connection is tsecure. If bubbles appear, the connection has the leak, disconnect the regulator, reconnect, perform another leak check. If you continue to see bubbles after several attempts, cylinder valve is defective and should be returned to cylinder’s supplier.**
- Apply several drops of solution where gas valve attaches to bellows, where gas valve attaches to hose, and where inlet tube attaches to bellows. **If NO bubbles appear, the connections are secure. If bubbles appear, the connection has the leak, disconnect, reconnect, perform another leak check. If you continue to see bubbles after several atempts, the part is defective and should replace the part.**



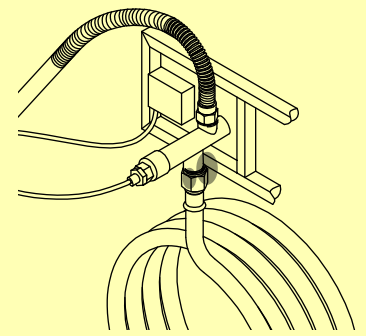
cylinder-regulator connection



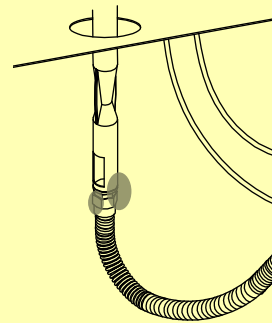
natural gas fixture-natural gas supply piping system connection



gas valve-bellows connection



gas valve-hose connection



inlet tube-bellows connection

Operation – Battery Installation and Lighting the Fire Pit

1 Battery Installation

- Make sure the control knob is in the “OFF” position.
- Unscrew the push button cap on the igniter module located on the control panel to access the battery compartment.
- The igniter module requires one AAA size battery.
- BATTERY IS NOT INCLUDED.

WARNING:



1. Please observe proper polarity and use the correct battery type when placing or replacing the battery. Improper installation could result in ignition failure.
2. Please remove the battery if consumed or if product is to be left unused for a long period of time.

LIGHTING INSTRUCTIONS

1. Push in gas control knob slightly and turn to “OFF”.
2. Turn gas control knob the “ON/MIN”.
3. Push in gas control knob all the way and hold. Continue to press the ignition button for 15 seconds.
4. If the burner does not light in 15 seconds, release the knob and it will pop back out. Wait 5 minutes before attempting to light the burner again, repeat step 1 to 3.

TO TURN OFF GAS

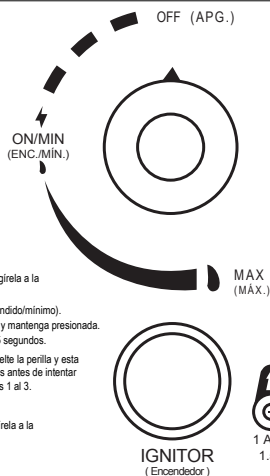
1. Push in gas control knob slightly and turn to “OFF”.

INSTRUCCIONES DE ENCENDIDO

1. Presione ligeramente la perilla de control del gas y gírela a la posición “APG” (apagado).
2. Gire la perilla de control del gas a “ENC/MIN” (encendido/mínimo).
3. Presione la perilla de control del gas hasta el fondo y mantenga presionada. Siga presionando el botón de encendido durante 15 segundos.
4. Si el quemador no se enciende en 15 segundos, suelte la perilla y esta volverá a su posición hacia afuera. Espere 5 minutos antes de intentar encender el quemador nuevamente, repita los pasos 1 a 3.

PARA CERRAR EL GAS

1. Presione ligeramente la perilla de control del gas y gírela a la posición “APG” (apagado).



2 Lighting Instruction

- Push in the gas control knob slightly and turn to “OFF”.
- Turn the gas control knob to the “ON/MIN”.
- Push in the gas control knob all the way in and hold. Continue to press the ignition button for 15 seconds.
- If the burner does not light in 15 seconds, release the knob and it will pop back out. Wait 5 minutes before attempting to light the burner again. Repeat the above process.

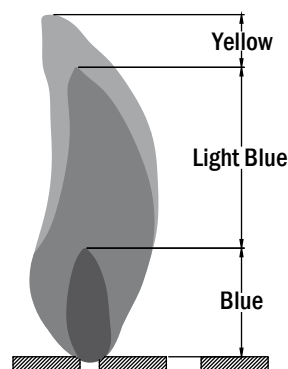
WARNING:



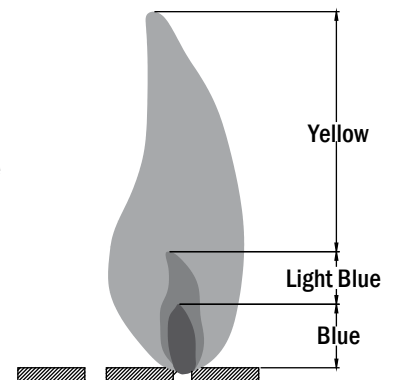
1. For your safety, read and follow the Lighting Instructions in this manual and in the Rating Plate on the appliance.
2. IMPROPER LIGHTING PROCEDURES COULD RESULT IN A FIRE HAZARD OR EXPLOSION HAZARD OR PROPERTY DAMAGE, INJURY OR LOSS OF LIFE.

- **Observe Flame Height When Lit.** The burner will display blue and yellow flames. These flames should be a blue / yellow color between 1~2 in. height. These flames should not be yellow or produce thick smoke. This would indicate an obstruction of airflow through the burners. The flames should be blue with straight yellow tops. If excessive yellow flames are detected, turn off the burner and consult “Troubleshooting” on Page 16.

Good



Bad



Maintenance

- Air flow must be unobstructed. Keep ventilation openings, controls, burner, and circulating air passageways clean and clear the debris. Signs of possible blockage include the following:
 1. Gas odor with extreme yellow tipping of flame.
 2. Fire pit does NOT reach the desired temperature.
 3. Fire pit flame is excessively uneven.
 4. Fire pit makes popping noises.
 5. Spiders and insects can nest in the burner or orifice. This dangerous condition can damage the fire pit and render it not suitable for use. Clean the burner ports by using a heavy-duty pipe cleaner. Compressed air may help clear away small particles.
- Carbon deposits may create a fire hazard. Clean burner with warm soapy water if any carbon deposits develop.
- Cover your fire pit with an outdoor weather cover when not in use to protect it from the elements.

Care and Cleaning

To enjoy the outstanding performance from your fire pit, make sure you perform the following activities on a regular basis:

- Use warm soapy water for cleaning. Never use flammable or corrosive cleaning agents.
- While cleaning the fire pit, make sure to keep the area around the burner dry at all times.
- DO NOT submerge the control valve assembly. If the gas control is submerging in water, DO NOT use it again, it must be replaced.
- Keep the appliance area clear and free from combustible materials, gasoline, and other flammable vapors and liquids.
- Do not obstruct the flow of combustion and ventilation air.



NOTE: Always allow fire pit to cool COMPLETELY before you cover the fire pit with an outdoor weather cover or attempt to service or perform maintenance.

Troubleshooting

PROBLEM	POSSIBLE CUASE	CORRECTIVE ACTION
The burner will not ignite.	<ul style="list-style-type: none"> □ The propane cylinder is frosted over. □ An opening is blocked. □ The control knob is not in the "ON" position. □ There may be too much lava rocks covering the burner bowl or small pieces may be blocking the burner ports. 	<ul style="list-style-type: none"> □ Wait until propane cylinder warms up and becomes unfrosted. □ Clear the blockage. □ Turn the control knob to the "ON" position. □ Remove a portion of the lava rock. Make sure the lava rock just covers the upper surface of the burner.
The burner flame is too low.	<ul style="list-style-type: none"> □ The gas pressure is low. □ The outdoor temperature is less than 40°F, and the cylinder is less than 1/4 full. 	<ul style="list-style-type: none"> □ Turn the cylinder valve off and replace the cylinder. □ Use a full propane cylinder. □ Check the burner ports for blockage.
Carbon build-up and/or thick black smoke is present.	<ul style="list-style-type: none"> □ There is dirt or film on the reflector and burner screen. □ The burner is blocked. 	<ul style="list-style-type: none"> □ Clean the reflector and burner screen. □ Remove any blockage, and clean the burner inside and outside.

HAMPTON BAY®

Questions, problems, missing parts? Before returning to the store,
call Hampton Bay Customer Service
8 a.m. - 7 p.m., EST, Monday - Friday, 9 a.m. - 6 p.m., EST, Saturday

1-855-HD-HAMPTON

HAMPTONBAY.COM

Retain this manual for future use.