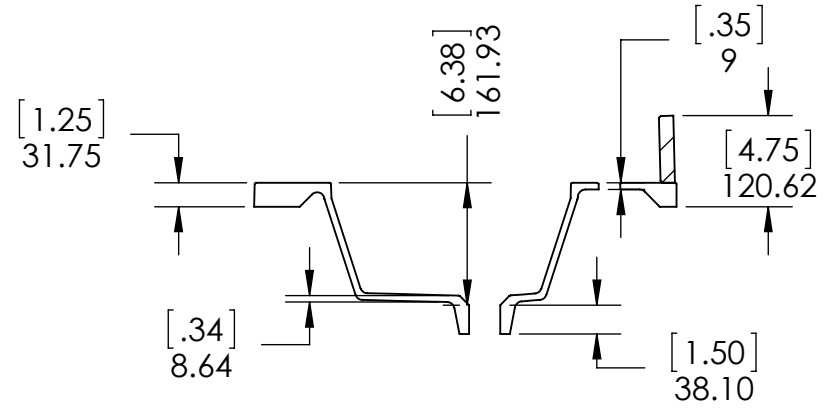
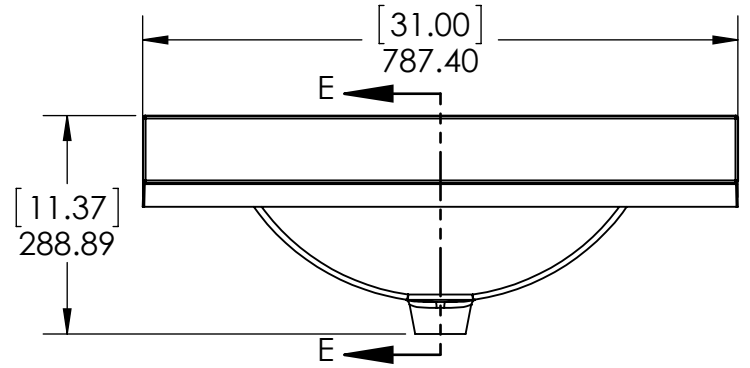
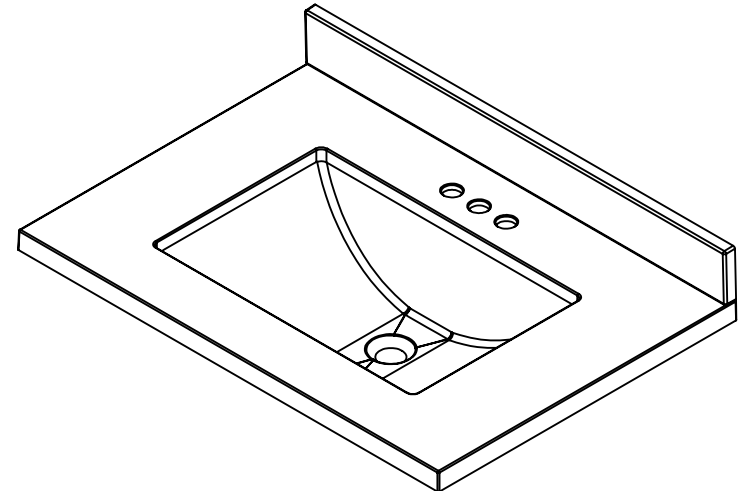
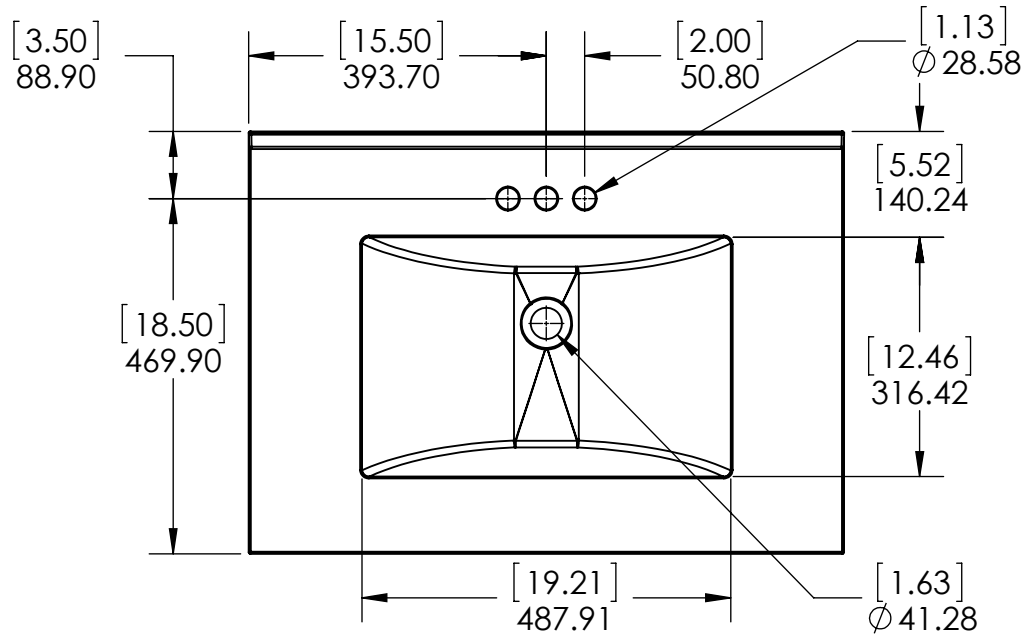


| DRAWING TYPE | ITEM ID    | ITEM DESCRIPTION                         | TECHNOLOGIES  | DRAWING STATUS       |
|--------------|------------|--|---------------|----------------------|
| Finish Good  | SS3122R-TI | Vtop Rect 31x22 SS Titanium              | Solid Surface | Design Process       |
| Finish Good  | SS31R-AH   | Vtop Rect 31x22 SS Silver Ash Shark tank | Solid Surface | Ready for production |

| REV | ECO # | DESCRIPTION | REV'D BY DATE | CHK'D BY DATE | APRV'D BY DATE |
|-----|-------|-------------|---------------|---------------|----------------|
| 1   |       | Original    | 4/05/16       | 4/05/16       | 4/05/16        |
| 2   |       | New color   | 1/31/18       | 1/31/18       | 1/31/18        |



**PROPRIETARY AND CONFIDENTIAL**  
 THE INFORMATION CONTAINED IN THIS DRAWING IS THE SOLE PROPERTY OF WOODCRAFTERS. ANY REPRODUCTION IN PART OR AS A WHOLE WITHOUT THE WRITTEN PERMISSION OF WOODCRAFTERS IS PROHIBITED.

UNLESS OTHERWISE SPECIFIED  
 DIMENSIONS ARE IN MM. AND (INCHES)  
 TOLERANCES ARE  
 +0.125 [3.175] -0.125 [-3.175]  
 SCALE:1:10

|           | NAME     | DATE    |
|-----------|----------|---------|
| DRAWN     | R. Rubio | 1/31/18 |
| CHECKED   | O. Razo  | 1/31/18 |
| ENG APPR. | R. Rubio | 1/31/18 |
| MFG APPR. | C. Leal  | 1/31/18 |

**Wood Crafters**

SIZE DWG. NO. **A** Vtop Rect 31x22 Solid Surface

SHEET 1 OF 1 REV. **2**