

Report of:

- **2021 International Swimming Pool and Spa Code**
- **2020 Florida Building Code - Building**
- **2020 Florida Building Code - Residential**

WARNING No representation or warranty is given that your particular application of these products complies with relevant building codes or that the fasteners provided or used are appropriate for your application. Consult with professionals and local building officials before beginning work: (i) to ensure compliance with relevant building codes for your application and for your proposed use of fasteners; (ii) to ensure the integrity of the structural components in connection with which these products are to be used; (iii) to identify appropriate safety gear that is to be used during installation; (iv) to ensure that the work area is free from utilities, services and hazards; and (v) to clarify any instructions or warnings that may not be clear. Work in a safe manner wearing protective gear such as gloves, eyewear, headwear, footwear and clothing. When using tools comply with operation manuals and instructions. Metal and glass may have sharp edges and could fragment or splinter during or as a result of handling or cutting. Do not use these products in connection with any substance that is or may be harmful or corrosive to the products. Inspect and maintain these products and the structural components that they are used in connection with on a regular basis, using professionals when appropriate.

TO **Peak Products USA Corporation**
EMAIL **adam.mantei@peakproducts.com**
www.peakproducts.com

R-25209.000
Peak Products | Aquatine and
AquatinePLUS FL Building
Code Review

DATE July 06, 2021

REGARDING **PEAK® Aluminum Fencing Aquatine™ Review For Code Compliance**
2021 ISPSC

1 Introduction

1.1 Overview

The Peak® Aluminum Fencing Aquatine™ is intended to serve as a fence or barrier around the perimeter of the pool area. The purpose of the barrier is to prevent access to the pool area, but not to serve as fall protection to a lower elevation. Peak® Aluminum Fencing Aquatine™ drawings and dimensions are provided to us by Peak Products as part of the review scope.

The purpose of this report is to provide a review of the requirements set forth in the following documents:

- 2021 International Swimming Pool and Spa Code (ISPSC)
 - Section 305 - Barrier Requirements

2 Pool Barrier Requirements Checklist

The Peak® Aluminum Fencing Aquatine™ is reviewed for compliance against the requirements of the above-referenced codes. The requirement review checklist items are summarized in Table 1.1 below.

TABLE 1.1 2021 ISPSC REQUIREMENTS			
RESULT	CLAUSE	DESCRIPTION	COMMENT
N/A	305.1	The provisions of this section shall apply to the design of barriers for restricting entry into areas having pools and spas. Where spas or hot tubs are equipped with a lockable safety cover complying with ASTM F1346 and swimming pools are equipped with a powered safety cover that complies with ASTM F1346m the areas where those spas, hot tubs or pools are located shall not be required to comply with Sections 305.2 through 305.7.	Review for compliance with Section 305.
Conform	305.2.1.1	Top of barrier shall be not less than 48 inches above grade where measured on the side of the barrier that faces away from the pool or spa, maintained for 3 feet horizontally from the outside of the barrier.	Aquateine top of barrier is 48 inches above grade.
Conform	305.2.1.2	The vertical clearance between grade and the bottom of the barrier shall not exceed 2 inches for grade surfaces that are not solid, such as grass or gravel, where measured on the side of the barrier that faces away from the pool or spa.	Aquateine bottom of barrier clearance is 2 inches maximum.
Conform	305.2.1.3	The vertical clearance between a surface below the barrier to a solid surface, such as concrete, and the bottom of the required barrier shall not exceed 4 inches where measured on the side of the required barrier that faces away from the pool or spa.	Aquateine bottom of barrier clearance is 2 inches maximum.
Conform	305.2.1.4	Where the top of the pool or spa structure is above grade, the barrier shall be installed on grade or shall be mounted on top of the pool or spa structure. Where the barrier is mounted on the top of the pool or spa, the vertical clearance between the top of the pool or spa and the bottom of the barrier shall not exceed 4 inches.	Aquateine bottom of barrier clearance is 2 inches maximum.
Conform	305.2.2	Openings in the barrier shall not allow passage of a 4 inch diameter sphere.	Aquateine openings are maximum 4 inches in between members.
Conform	305.2.3	Solid barrier that do not have openings shall not contain indentations or protrusions that form handholds and footholds, except for normal construction tolerances and tooled masonry joints.	Aquateine has no solid barriers, picket sections only.
N/A	305.2.4	The inside of a mesh fence shall be not closer than 20 inches to the nearest edge of the water of a pool or spa.	Does not apply. No mesh barriers on the system.

N/A	305.2.5	Where the barrier is composed of horizontal and vertical members and the distance between the tops of the horizontal members is less than 45 inches, the horizontal members shall be located on the pool or spa side of the fence. Spacing between vertical members shall not exceed 1- $\frac{3}{4}$ inches in width.	Aquatic top and bottom rails spaced 45- $\frac{1}{2}$ inches apart.
Conform	305.2.6	Where the barrier is composed of horizontal and vertical members and the distance between the tops of the horizontal members is 45 inches or more, spacing between the vertical members shall not exceed 4 inches.	Aquatic barrier vertical members have 4 inch maximum spacing in between members.
N/A	305.2.7	The maximum opening formed by a chain link fence shall be not more than 1- $\frac{3}{4}$ inches.	Aquatic system has no chain link barriers.
N/A	305.2.8	Where the barrier is composed of diagonal members, the maximum opening formed by the diagonal members shall be not greater than 1- $\frac{3}{4}$ inches. The angle of diagonal members shall be not greater than 45 degrees from the vertical.	Aquatic barrier has no diagonal members.
Conform	305.2.9	Where equipment, including pool equipment such as pumps, filters and heaters, is on the same lot as a pool or spa and such equipment is located outside the barrier protecting the pool or spa, such equipment shall be located not less than 36 inches from the outside of the barrier.	Aquatic barrier requires 48 inch clear zone on both sides of the fence.
Conform	305.3	Door and gates in barriers shall comply with the requirements of Sections 305.3.1 through 305.3.3 and shall be equipped to accommodate a locking device. Pedestrian access doors and gates shall open outward away from the pool or spa, shall be self-closing and shall have a self-latching device.	Aquatic gate is equipped with self-latching device, hinge self closes, opens away from the pool.
N/A	305.3.1	Doors and gates not intended for pedestrian use, such as utility or service doors and gates, shall remain locked when not in use.	This does not apply. No utility or service doors or gates in the system.
N/A	305.3.2	Double doors and gates or multiple doors and gates shall have not fewer than one leaf secured in place and the adjacent leaf shall be secured with a self-latching device.	No double or multiple doors or gates in the system.

Conform	305.3.3.1	<p>Where door and gate latch release mechanism are accessed from the outside of the barrier and are not of the self-locking type, such mechanism shall be located above the finished floor or ground surface in accordance with the following:</p> <ul style="list-style-type: none"> → At public pools and spa, not less than 52 inches and not greater than 54 inches. → At residential pools and spas, not less than 54 inches. 	Aquatine barrier system is located not less than 54 inches from grade or finished floor for residential pools and spa.
N/A	305.3.3.2	<p>Where door and gate latch release mechanisms are of the self-locking type such as where the lock is operated by means of a key, an electronic opener or the entry of a combination into an integral combination lock, the lock operation control and the latch release mechanism shall be located above the finished floor or ground surface in accordance with the following:</p> <ul style="list-style-type: none"> → At public pools and spas, not less than 34 inches and not greater than 48 inches. → At residential pools and spas, at not greater than 54 inches. 	Aquatine gate latch is not self-locking. This does not apply.
N/A	305.3.3.3	At private pools, where the only latch release mechanism of a self-latching device for a gate is located on the pool and spa side of the barrier, the release mechanism shall be located at a point that is at least 3 inches below the top of the gate.	Aquatine gate latch is located on the outside of the gate. This does not apply.
N/A	305.3.4	Where a latch release mechanism is located on the inside of a barrier, openings in the door, gate and barrier within 18 inches of the latch shall not be greater than ½ inch in any dimension.	Aquatine gate latch is located on the outside of the gate. This does not apply.
N/A	305.4	Structure/Dwelling wall as a barrier.	Does not apply to the Aquatine fence system.
N/A	305.5	Onground residential pool structure as a barrier.	Does not apply to the Aquatine fence system.
N/A	305.6	Natural barriers.	Does not apply to the Aquatine fence system.
N/A	305.7	Natural topography.	Does not apply to the Aquatine fence system.

N/A	305.8	<p>Outdoor public pools provided with barriers shall have means of egress as required by Chapter 10 of the International Building Code (2021).</p> <p>IBC 1010.2.3 Door handles, pulls, latches, locks, and other operating devices shall be installed 34 inches minimum and 48 inches maximum above the finished floor.</p> <p>Exception: Access to this are access doors or gates in barrier walls and fences protecting pools, spas, and hot tubs shall be permitted to have operable parts of the latch release on self-latching devices at 54 inches maximum above the finished floor or ground, provided that the self-latching devices are not also self-locking devices operated by means of a key, electronic openers or integral combination lock.</p>	Aquatine barrier system intended to be used as residential or private use.
-----	-------	---	--

This review is based on information and drawings provided by Peak Products for the elements listed above.

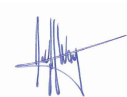
3 Conclusion

The Peak® Aluminum Fencing Aquatine™ system meets the requirements within the following applicable code sections:

- 2021 International Swimming Pool and Spa Code (ISPSC)
 - Section 305 - Barrier Requirements

The limitations of compliance are defined in the Peak® Aluminum Fencing Aquatine™ assembly drawings presented in Appendix A.

Yours truly,

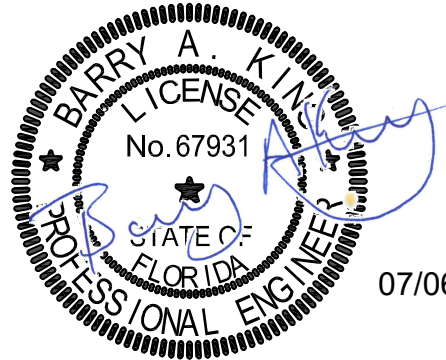


Jeffrey Ming Ho Wong | BASc, P.E.
Project Engineer
jmwong@rdh.com
RDH Building Science Inc.



Barry King | P.E.
Senior Project Manager - Facade
Structural
bking@rdh.com
C 479-321-0577
T 510-788-8915
RDH Building Science Inc.

encl.

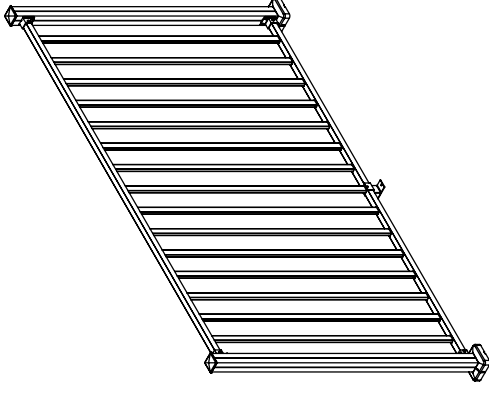
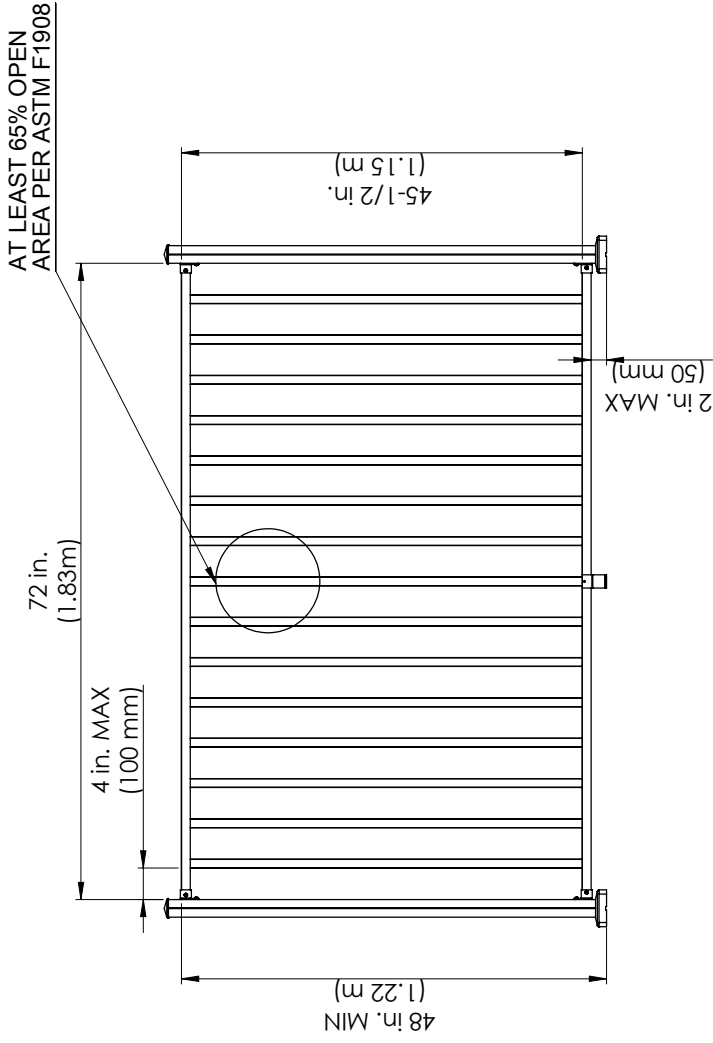


07/06/2021

Appendix A

Assembly Drawings





TITLE
AQUATINE™ 6' Picket Section
(Hard Surface)

PART FILE
Picket section-4ft

DWG REV
A

DIMENSIONS ARE IN MAX UNLESS NOTED
DO NOT SCALE DRAWING

PROPRIETARY AND CONFIDENTIAL

THE INFORMATION CONTAINED IN THIS DRAWING IS THE SOLE PROPERTY OF THE PEAK GROUP OF COMPANIES. ANY REPRODUCTION IN ANY FORM OR BY ANY MEANS WITHOUT THE WRITTEN PERMISSION OF THE PEAK GROUP OF COMPANIES IS PROHIBITED.

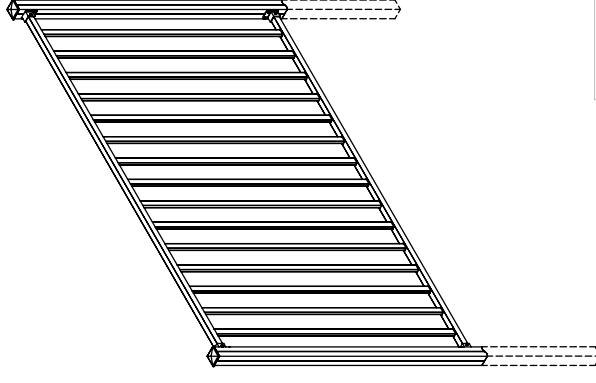
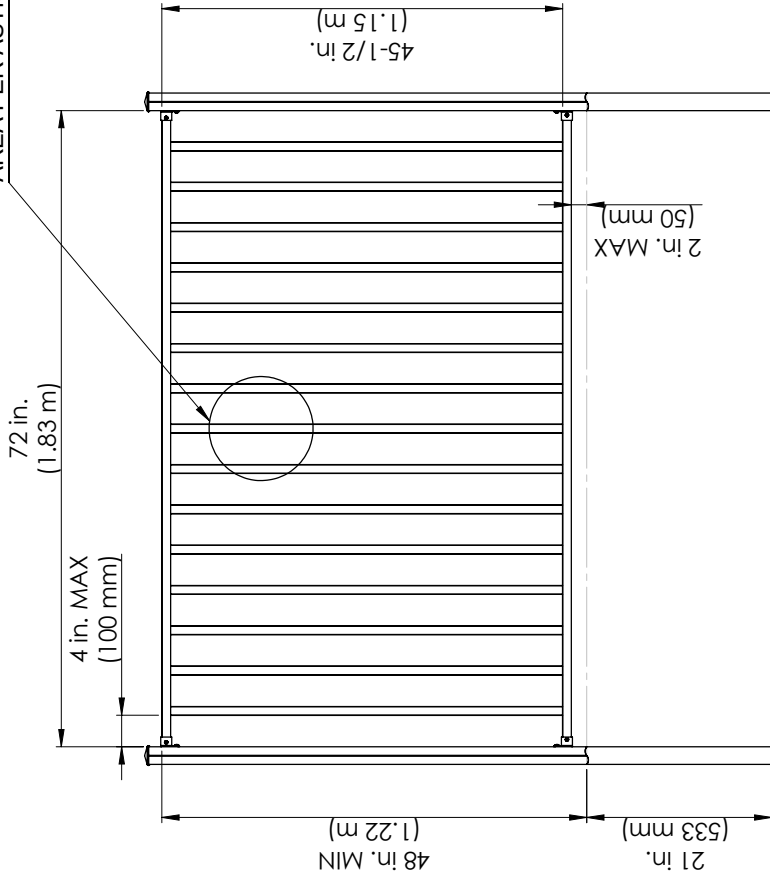
SIZE
DWG. NO.


B
Picket section-4ft

SCALE: 1:50
SHEET REV
2015-03-03-A
SHEET 1 OF 3

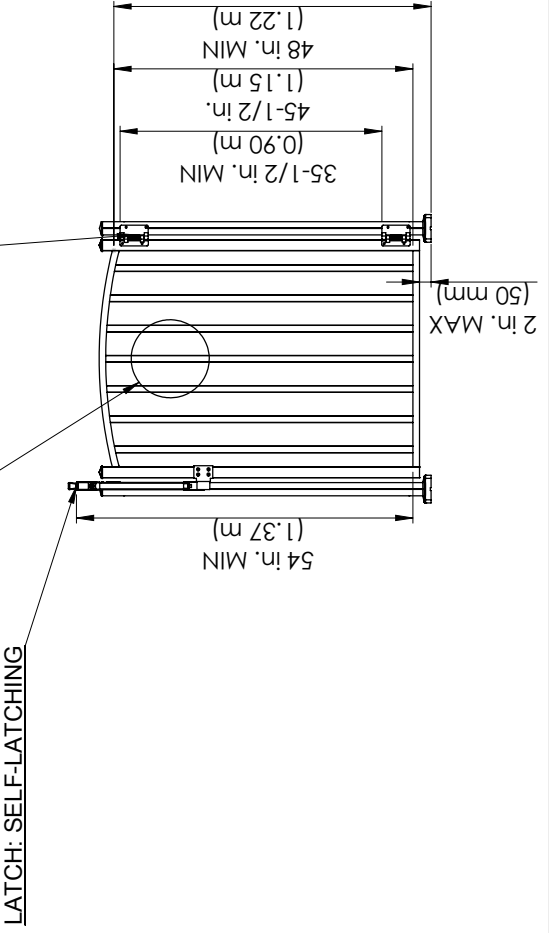
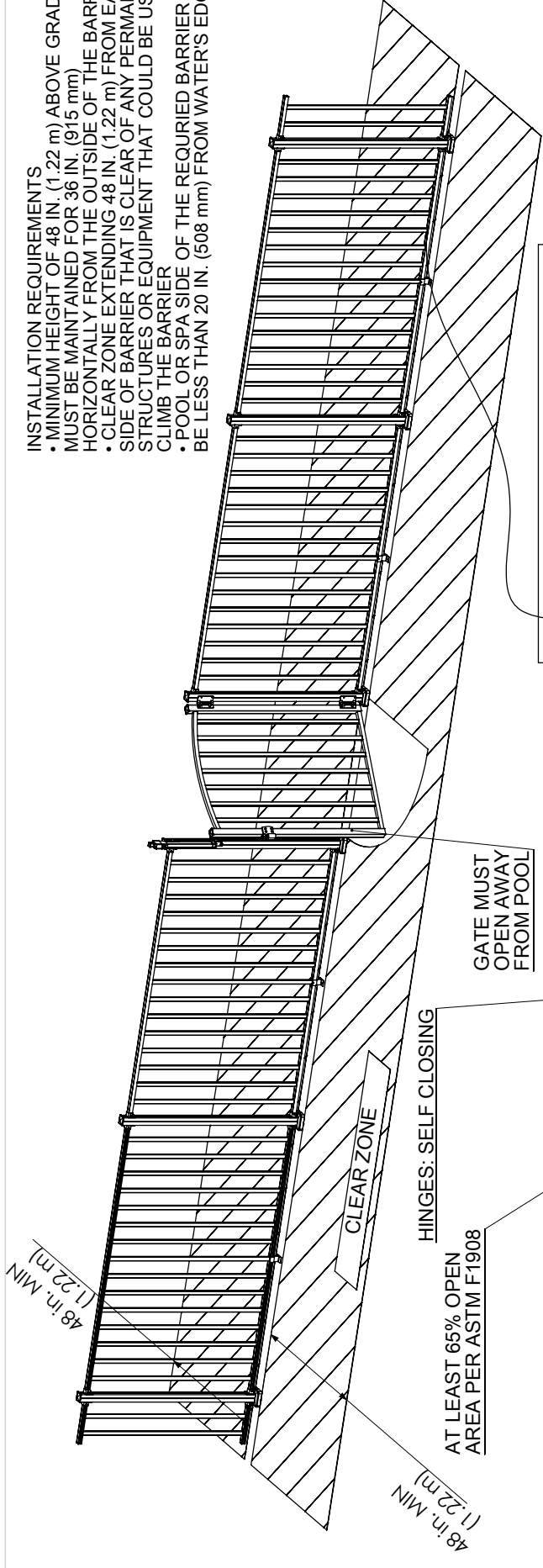
DESCRIPTION	SKU
4' Post - Hard Surface	56003, 56004
4'H x 6'W Picket Rail Kit	56113, 56114
Picket Bracket Kit	56901, 56902
Picket Angle Bracket Kit	56911, 56912

AT LEAST 65% OPEN AREA PER ASTM F1908



		TITLE	
		AQUATINE™ 6' Picket Section (Soft Surface)	
PART FILE		Picket Section-in ground - 4ft	
DWG REV		A	
DIMENSIONS ARE IN MAX UNLESS NOTED DO NOT SCALE DRAWING			
PROPRIETARY AND CONFIDENTIAL			
THE INFORMATION CONTAINED IN THIS DRAWING IS THE SOLE PROPERTY OF THE PEAK GROUP OF COMPANIES. ANY REPRODUCTION IN ANY FORM OR BY ANY MEANS WITHOUT THE WRITTEN PERMISSION OF THE PEAK GROUP OF COMPANIES IS PROHIBITED.			
SIZE	DWG. NO.		
B	Picket Section-in ground - 4ft		
SCALE: 1:50	SHT REV	2015-03-03-A	SHEET 2 OF 3
DESCRIPTION	SKU		
4' Post - Soft Surface	56013, 56014		
4'H x 6'W Picket Rail Kit	56113, 56114		
Picket Bracket Kit	56901, 56902		
Picket Angle Bracket Kit	56911, 56912		

- INSTALLATION REQUIREMENTS**
- MINIMUM HEIGHT OF 48 IN. (1.22 m) ABOVE GRADE MUST BE MAINTAINED FOR 36 IN. (915 mm) HORIZONTALLY FROM THE OUTSIDE OF THE BARRIER
 - CLEAR ZONE EXTENDING 48 IN. (1.22 m) FROM EACH SIDE OF BARRIER THAT IS CLEAR OF ANY PERMANENT STRUCTURES OR EQUIPMENT THAT COULD BE USED TO CLIMB THE BARRIER
 - POOL OR SPA SIDE OF THE REQUIRED BARRIER SHALL NOT BE LESS THAN 20 IN. (508 mm) FROM WATER'S EDGE



TITLE
AQUATIME™ Fence and Gate Requirements

PART FILE
gate and fence layout-4ft

DWG REV
A

DIMENSIONS ARE IN MM UNLESS NOTED
DO NOT SCALE DRAWING

PROPRIETARY AND CONFIDENTIAL
THE INFORMATION CONTAINED IN THIS DRAWING IS THE SOLE PROPERTY OF THE PEAK GROUP OF COMPANIES. ANY REPRODUCTION OR TRANSMISSION OF THIS DRAWING WITHOUT THE WRITTEN PERMISSION OF THE PEAK GROUP OF COMPANIES IS PROHIBITED.

SIZE
B

DWG. NO.
gate and fence layout-4ft

SHEET NO.
SHEET 3 OF 3

SCALE: 1:100 2015-03-03-A

DESCRIPTION	SKU
4'H x 3'W Pool Gate	56163, 56164

TO **Peak Products USA Corporation**
EMAIL **adam.mantei@peakproducts.com**
www.peakproducts.com

R-25209.000
Peak Products | Aquatine and
AquatinePLUS FL Building
Code Review

DATE July 06, 2021

REGARDING **PEAK® Aluminum Fencing Aquatine™ Review For Code Compliance**
2020 FBC and 2020 FRC

1 Introduction

1.1 Overview

The Peak® Aluminum Fencing Aquatine™ is intended to serve as a fence or barrier around the perimeter of the pool area. The purpose of the barrier is to prevent access to the pool area, but not to serve as fall protection to a lower elevation. Peak® Aluminum Fencing Aquatine™ drawings and dimensions are provided to us by Peak Products as part of the review scope.

The purpose of this report is to provide a review of the requirements set forth in the following documents:

- 2020 Florida Building Code (FBC)
 - Section 454 – Swimming Pools and Bathing Places (Public and Private)
- 2020 Florida Building Code – Residential (FRC)
 - Chapter 42 – Swimming Pools (Electrical Provisions)
 - Chapter 45 – Private Swimming Pools

2 Pool Barrier Requirements Checklist

The Peak® Aluminum Fencing Aquatine™ is reviewed for compliance against the requirements of the above-referenced codes. The requirement review checklist items are summarized in Table 1.1 below.

TABLE 1.1 2020 FBC AND 2020 FRC POOL REQUIREMENTS			
RESULT	CLAUSE	DESCRIPTION	COMMENT
Conform	FBC 454.1.3.1.9	All pools surrounded by a minimum 48 inch high fence or other approved substantial barrier.	Aquateine top of barrier is 48 inches above grade.
Conform	FBC 454.1.3.1.9	Fence gate is 48-inches high from the ground or floor.	Aquateine top of barrier is 48 inches above grade.
Conform	FBC 454.1.3.1.9	Fence gates are self-latching, with a latch located a minimum of 54 inches from the bottom of the gate or at least 3-inches below the top of the gate on the pool side.	Aquateine gate is equipped with self-latching device 54 inches above grade or floor.
Conform	FBC 454.2.17 FRC R4501.17.1.1	Top of barrier not less than 48 inches above grade on the side barrier that faces away from the swimming pool.	Aquateine top of barrier is 48 inches above grade.
Conform	FBC 454.2.17 FRC R4501.17.1.1	The maximum vertical clearance between grade and the bottom of the barrier shall be 2 inches measured on the side of the barrier which faces away from the swimming pool.	Aquateine bottom of barrier clearance is 2 inches maximum.
Conform	FBC 454.2.17 FRC R4501.17.1.1	Maximum vertical clearance between top of the pool and the bottom of the barrier shall be 4 inches.	Aquateine bottom of barrier clearance is 2 inches maximum.
Conform	FBC 454.2.17.1.2 FRC R4501.17.1.2	Openings in any barrier shall not allow passage of a 4-inch-diameter sphere.	Aquateine maximum sized openings are 4 inches.
N/A	FBC 454.2.17.1.3 FRC R4501.17.1.3	Solid barriers which do not have openings shall not contain indentations or protrusions except for normal construction tolerances and tooled masonry joints.	Aquateine fence barrier has no solid barriers. The barriers consist of picket fences.
N/A	FBC 454.2.17.1.4 FRC R4501.17.1.4	Where the barrier is composed of horizontal and vertical members and the distance between the tops of the horizontal members is less than 45 inches, the horizontal members shall be located on the swimming pool side of the fence. Spacing between vertical members shall not exceed 1-3/4 inches in width. Where there are decorative cutouts within vertical members, spacing within the cutouts shall not exceed 1-3/4 inches in width.	Aquateine horizontal members are spaced 45-½ - inches apart.

Conform	FBC 454.2.17.1.5 FRC R4501.17.1.5	Where the barrier is composed of horizontal and vertical members and the distance between the tops of the horizontal members is 45 inches or more, spacing between vertical members shall not exceed 4 inches. Where there are decorative cut-outs within vertical members, spacing within the cut-outs shall not exceed 1-3/4 inches in width.	Aquateine horizontal members are spaced 45-½ - inches apart. Aquateine vertical members are spaced 4-inches maximum between.
N/A	FBC 454.2.17.1.6 FRC R4501.17.1.6	Maximum mesh size for chain link fences shall be a 2-1/4 inch square unless the fence is provided with slats fastened at the top or bottom which reduce the openings to no more than 1-3/4 inches.	Aquateine does not have chain-link barriers.
N/A	FBC 454.2.17.1.7 FRC R4501.17.1.7	Where the barrier is composed of diagonal members, the maximum opening formed by the diagonal members shall be no more than 1-3/4 inches.	Aquateine does not have diagonal members.
Conform	FBC 454.2.17.1.8 FRC R4501.17.1.8	Access gates shall be equipped to accommodate a locking device on the pool side of the gate, opening outward from the pool, and shall be self-closing and have a self-latching device	Aquateine gate is equipped with self-latching device, hinge self-closes, opens away from the pool.
Conform	FBC 454.2.17.1.8 FRC R4501.17.1.8	Where the device release is located no less than 54 inches from the bottom of the gate, the device release mechanism may be located on either side of the gate and so placed that it cannot be reached by a young child over the top or through any opening or gap from the outside.	Aquateine latch device is located 54 inches from the bottom of gate.
Conform	FBC 454.2.17.1.8 FRC R4501.17.1.8	The gates and barrier shall have no opening greater than 1/2 inch within 18 inches of the release mechanism.	Aquateine latch device is located 54 inches from the bottom of gate. See Appendix B for additional information.
N/A	FBC 454.2.17.1.9 FRC R4501.17.1.9	When a wall of a dwelling serves as part of the barrier.	Aquateine fencing barrier is not part of a dwelling.
N/A	FBC 454.2.17.1.10 FRC R4501.17.1.10	Where above-ground pool structure is used as a barrier or where the barrier is mounted on top of the pool structure, and means of access is a ladder or steps, the ladder or steps either shall be capable of being secured, locked or removed to prevent access, or the ladder or steps shall be surrounded by a barrier.	This section not applicable.
N/A	FBC 454.2.17.1.11 FRC R4501.17.1.11	Standard screen enclosures may be utilized as part of or all of the barrier.	This section not applicable.

Conform	FBC 454.2.17.1.12 FRC R4501.17.1.12	The barrier must be placed around the perimeter of the pool and must be separate from any fence, wall, or other enclosure surrounding the yard unless the fence, wall, or other enclosure or portion thereof is situated on the perimeter of the pool, is being used as part of the barrier, and meets the barrier requirements of this section.	Aquatic fence and gate requires a 48 inch clear zone from each side of the barrier.
Conform	FBC 454.2.17.1.13 FRC R4501.17.1.13	Removable child barriers must be placed sufficiently away from the water's edge to prevent a young child or medically frail elderly person who may manage to penetrate the barrier from immediately falling into the water. Sufficiently away from the water's edge shall mean no less than 20 inches from the barrier to the water's edge. Dwelling or nondwelling walls including screen enclosures, when used as part or all of the barrier and meeting the other barrier requirements, may be as close to the water's edge as permitted by this code.	Aquatic fence and gate barrier shall not be less than 20 inches from water's edge.
N/A	FBC 454.2.17.1.14 FRC R4501.17.1.14	A wall of a dwelling may serve as part of the barrier if it does not contain any door or window that opens to provide direct access from the home to the swimming pool.	This section not applicable.
N/A	FBC 454.2.17.1.15 FRC R4501.17.1.15	Mesh safety barrier.	This section is not applicable. No mesh safety barriers are used.

This review is based on information and drawings provided by Peak Products for the elements listed above.

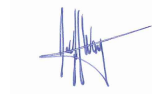
3 Conclusion

Peak® Aluminum Fencing Aquatine™ system meets the requirements within the following applicable code sections:

- 2020 Florida Building Code (FBC)
 - Section 454 - Swimming Pools and Bathing Places (Public and Private)
- 2020 Florida Building Code - Residential (FRC)
 - Chapter 42 - Swimming Pools (Electrical Provisions)
 - Chapter 45 - Private Swimming Pools

The limitations of compliance are defined in the Peak® Aluminum Fencing Aquatine™ assembly drawings presented in Appendix A.

Yours truly,

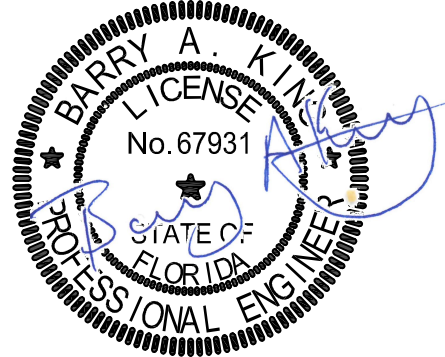


Jeffrey Ming Ho Wong | B.A.Sc., P.E.
Project Engineer
jmwong@rdh.com
RDH Building Science Inc.



Barry King | P.E.
Senior Project Manager - Facade
Structural
bking@rdh.com
C 479-321-0577
T 510-788-8915
RDH Building Science Inc.

encl.

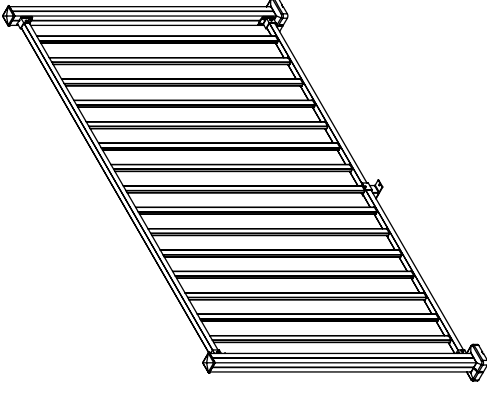
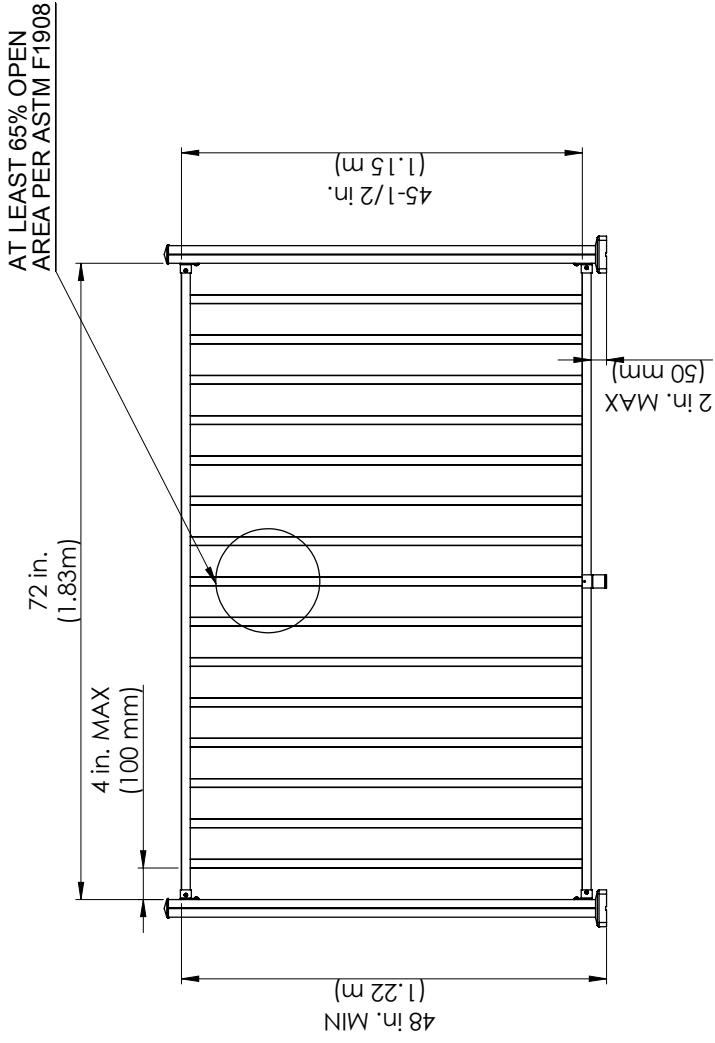


07/06/2021

Appendix A

Assembly Drawings





TITLE
AQUATINE™ 6' Picket Section
(Hard Surface)

PART FILE
Picket section-4ft

DWG REV
A

DIMENSIONS ARE IN MAX UNLESS NOTED
DO NOT SCALE DRAWING

PROPRIETARY AND CONFIDENTIAL

THE INFORMATION CONTAINED IN THIS DRAWING IS THE SOLE PROPERTY OF THE PEAK GROUP OF COMPANIES. ANY REPRODUCTION IN ANY FORM OR BY ANY MEANS WITHOUT THE WRITTEN PERMISSION OF THE PEAK GROUP OF COMPANIES IS PROHIBITED.

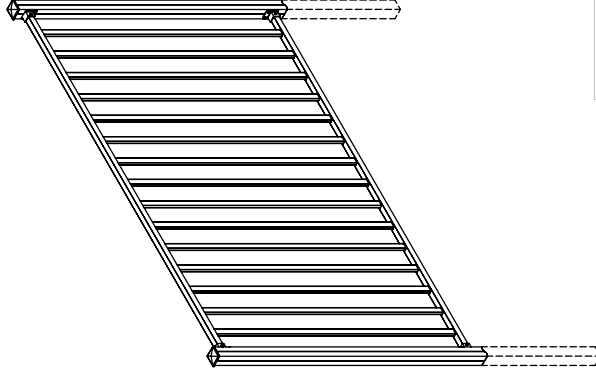
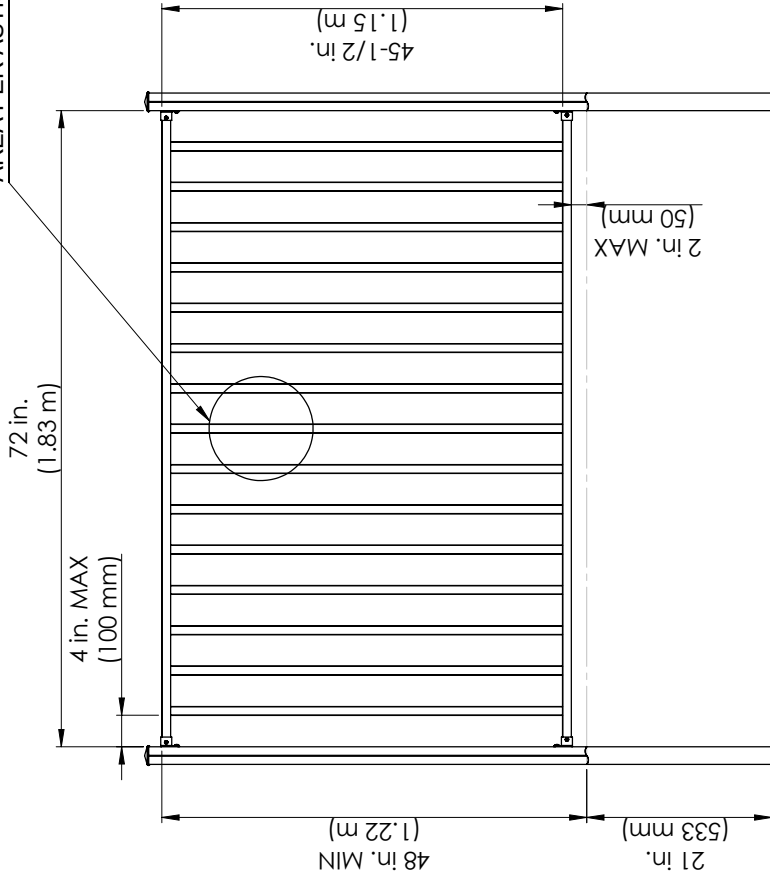
SIZE
DWG. NO.

B
Picket section-4ft

SCALE: 1:50
SHEET REV
2015-03-03-A
SHEET 1 OF 3

DESCRIPTION	SKU
4' Post - Hard Surface	56003, 56004
4'H x 6'W Picket Rail Kit	56113, 56114
Picket Bracket Kit	56901, 56902
Picket Angle Bracket Kit	56911, 56912

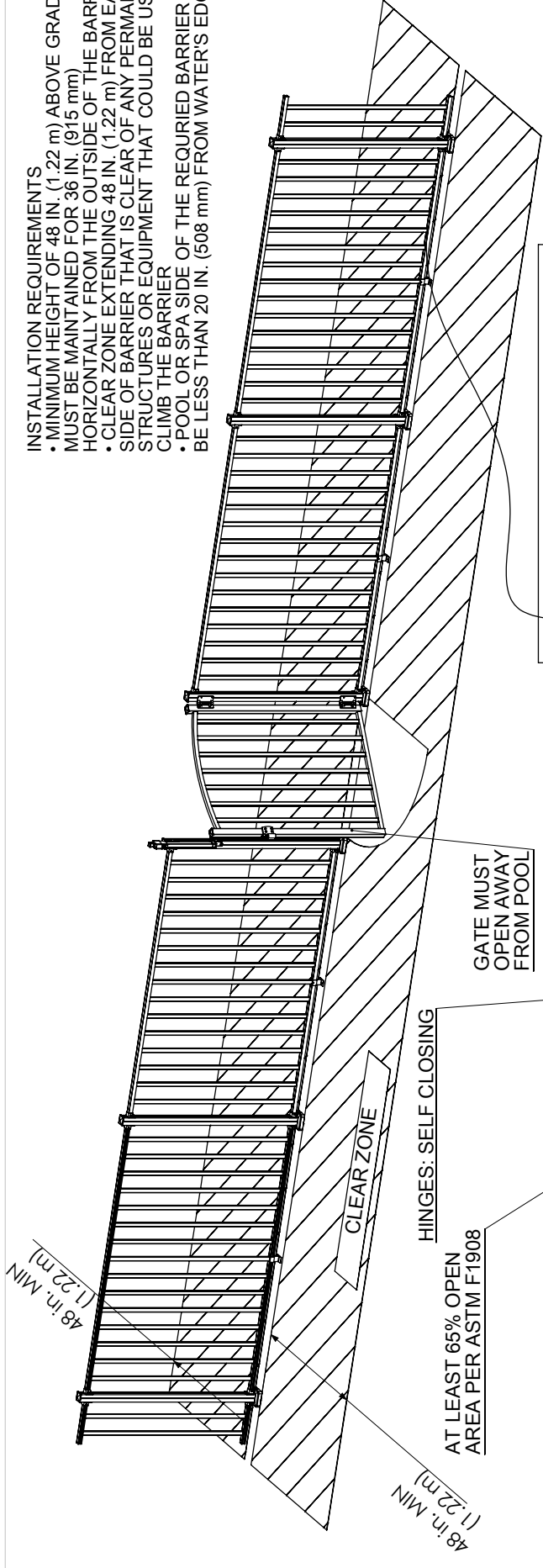
AT LEAST 65% OPEN AREA PER ASTM F1908



TITLE AQUATINE™ 6' Picket Section (Soft Surface)	
PART FILE	Picket Section-in ground - 4ft
DWG REV	A
DIMENSIONS ARE IN MAX UNLESS NOTED DO NOT SCALE DRAWING	
PROPRIETARY AND CONFIDENTIAL THE INFORMATION CONTAINED IN THIS DRAWING IS THE SOLE PROPERTY OF THE PEAK GROUP OF COMPANIES. ANY REPRODUCTION IN ANY FORM OR BY ANY MEANS WITHOUT THE WRITTEN PERMISSION OF THE PEAK GROUP OF COMPANIES IS PROHIBITED.	
SIZE	DWG. NO.
B	Picket Section-in ground - 4ft
SCALE: 1:50	SHT REV 2015-03-03-A
SHEET 2 OF 3	

DESCRIPTION	SKU
4' Post - Soft Surface	56013, 56014
4'H x 6'W Picket Rail Kit	56113, 56114
Picket Bracket Kit	56901, 56902
Picket Angle Bracket Kit	56911, 56912

- INSTALLATION REQUIREMENTS**
- MINIMUM HEIGHT OF 48 IN. (1.22 m) ABOVE GRADE MUST BE MAINTAINED FOR 36 IN. (915 mm) HORIZONTALLY FROM THE OUTSIDE OF THE BARRIER
 - CLEAR ZONE EXTENDING 48 IN. (1.22 m) FROM EACH SIDE OF BARRIER THAT IS CLEAR OF ANY PERMANENT STRUCTURES OR EQUIPMENT THAT COULD BE USED TO CLIMB THE BARRIER
 - POOL OR SPA SIDE OF THE REQUIRED BARRIER SHALL NOT BE LESS THAN 20 IN. (508 mm) FROM WATER'S EDGE



GROUNDING - CONTINUOUS RUNS OF METAL FENCING INSTALLED IN THE GROUND WITHIN 10 FT. OF THE POOL SHALL BE GROUNDED IN COMPLIANCE WITH THE REQUIREMENTS OF LOCAL UTILITIES AND ELECTRICAL CODES



TITLE
AQUATINE™ Fence and Gate Requirements

PART FILE
gate and fence layout-4ft

DWG REV
A

DIMENSIONS ARE IN MM UNLESS NOTED
DO NOT SCALE DRAWING

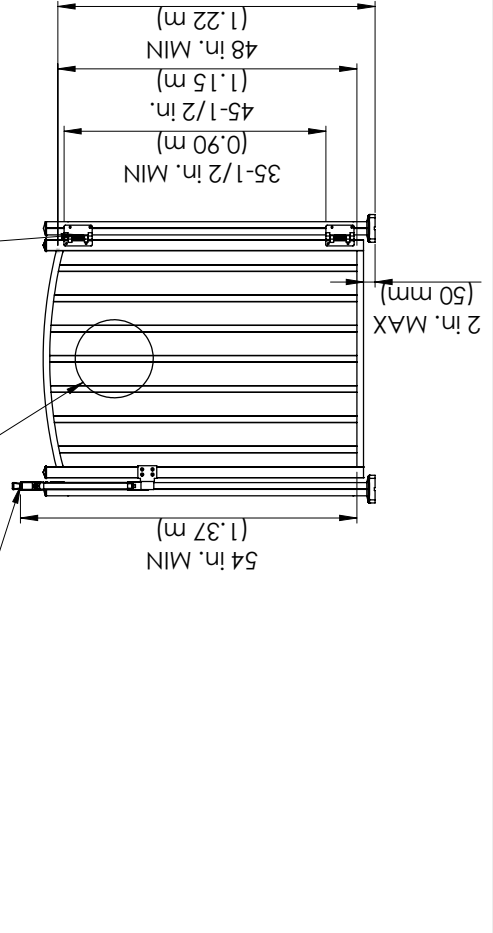
PROPRIETARY AND CONFIDENTIAL
THE INFORMATION CONTAINED IN THIS DRAWING IS THE SOLE PROPERTY OF THE PEAK GROUP OF COMPANIES. ANY REPRODUCTION OR TRANSMISSION OF THIS DRAWING WITHOUT THE WRITTEN PERMISSION OF THE PEAK GROUP OF COMPANIES IS PROHIBITED.

SIZE
B

DWG. NO.
gate and fence layout-4ft

SHEET REV
SCALE: 1:100 2015-03-03-A

SHEET 3 OF 3



DESCRIPTION	SKU
4'H x 3'W Pool Gate	56163, 56164

Appendix B

Interpretation of FBC and FRC Clauses

APPENDIX B – INTERPRETATION OF FBC AND FRC CLAUSES

The following paragraphs describe the latch requirements for pool fences as described in the 2020 FBC and 2020 FRC. Included are excerpts from the 2020 FBC, the 2020 FRC, and the 2021 ISPSC for reference.

Florida Building Code Clause 454.2.17.1.8:

Access gates, when provided, shall be self-closing and shall comply with the requirements of Sections 454.2.17.1.1 through 454.2.17.1.7 and shall be equipped with a self-latching locking device located on the pool side of the gate. Where the device release is located no less than 54 inches (1372 mm) from the bottom of the gate, the device release mechanism may be located on either side of the gate and so placed that it cannot be reached by a young child over the top or through any opening or gap from the outside. Gates that provide access to the swimming pool must open outward away from the pool. The gates and barrier shall have no opening greater than 1/2 inch (12.7 mm) within 18 inches (457 mm) of the release mechanism.

Florida Building Code – Residential Clause R4501.18.1.8:

Access gates, when provided, shall be self-closing and shall comply with the requirements of Sections R4501.17.1.1 through R4501.17.1.7 and shall be equipped with a self-latching locking device located on the pool side of the gate. Where the device release is located no less than 54 inches (1372 mm) from the bottom of the gate, the device release mechanism may be located on either side of the gate and so placed that it cannot be reached by a young child over the top or through any opening or gap from the outside. Gates that provide access to the swimming pool must open outward away from the pool. The gates and barrier shall have no opening greater than 1/2 inch (12.7 mm) within 18 inches (457 mm) of the release mechanism.

RDH Interpretation of the above clauses:

FBC Clause 454.2.17.1.8 and FRC Clause R4501.17.1.8 have been interpreted in this report to mean that when the latch is located not less than 54 inch from the bottom of the gate, there is no requirement for the latch to be 18 inches away from any openings greater than 1/2 inch. Where the latch is not less than 54 inches from the bottom of the gate, the latch may be placed on either side of the gate, removing the requirement to prevent a young child from reaching the latch through the barrier. When the latch is located less than 54 inches from the bottom of the gate, it should be located 18 inches away from openings greater than 1/2 inch.