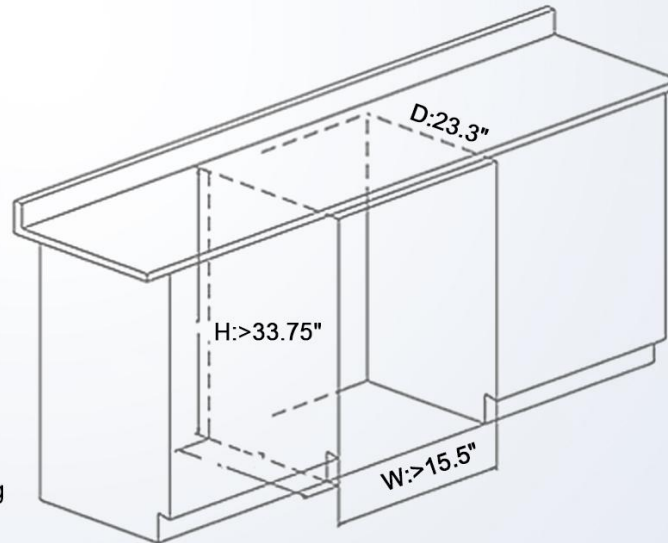




ETL Listed

DOE
DOE Certificated



70" Power Cord



110-120V 3-Prong Plug



Allow at least ¼" (6.35 mm) space on each side and at the top for built-in