

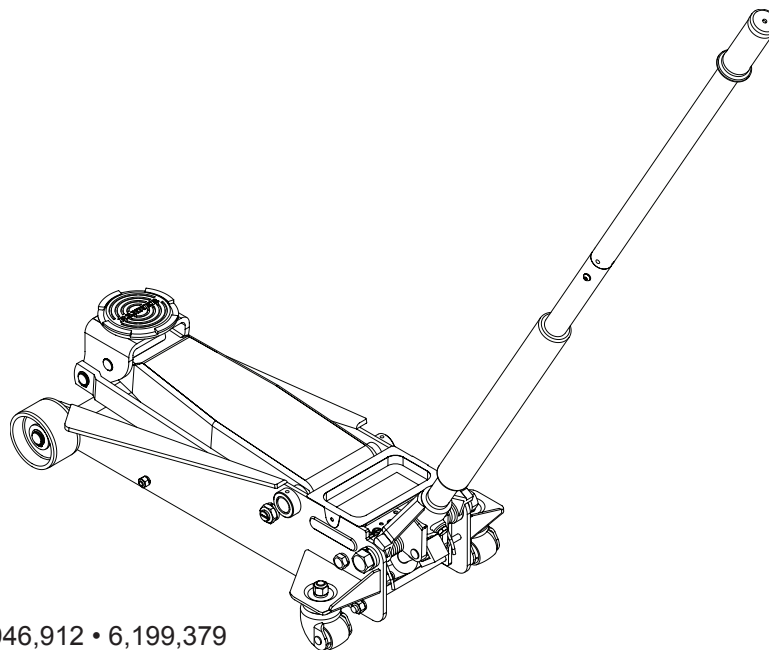


# Operating Instructions & Parts Manual

## Fast Lift Hydraulic Service Jack

MODEL  
B6350

CAPACITY  
3-1/2 TON



U.S. Patent No's. 5,946,912 • 6,199,379



This is the safety alert symbol. It is used to alert you to potential personal injury hazards. Obey all safety messages that follow this symbol to avoid possible injury or death.

### **ADVERTENCIA**

- Leer, comprender, y seguir las instrucciones antes de utilizar el aparato.
- El manual de instrucciones y la información de seguridad deben estar comunicados en lengua del operador antes del uso.
- No seguir estas indicaciones puede causar daños personales o materiales.

### **WARNING**

To avoid **crushing and related injuries**:



**NEVER** work on, under or around a load supported only by a hydraulic jack. **ALWAYS** use a pair of adequately rated jack stands.

SFA Companies  
10939 N. Pomona Ave. Kansas City, MO 64153  
sales@blackhawk-automotive.com

**Read this manual and follow all the Safety Rules and Operating Instructions before using this product.**

## SAFETY AND GENERAL INFORMATION

**Save these instructions.** For your safety, read, understand, and follow the information provided with and on this jack before using. The owner and operator of this equipment shall have an understanding of this jack and safe operating procedures before attempting to use it. The owner and operator shall be aware that use and repair of this product may require special skills and knowledge. Instructions and safety information shall be conveyed in the operator's native language before use of this jack is authorized. If any doubt exists as to the safe and proper use of this jack, remove from service immediately.

**Inspect before each use.** Do not use if broken, bent, cracked or damaged parts are noted. Any jack that appears damaged in any way, or operates abnormally shall be removed from service immediately. If the jack has been or suspected to have been subjected to a shock load (a load dropped suddenly, unexpectedly upon it), immediately discontinue use until jack has been checked by a factory authorized service center (contact distributor or manufacturer for list of authorized service centers). It is recommended that an annual inspection be done by qualified personnel. Labels and Operator's Manuals are available from the manufacturer.

## PRODUCT DESCRIPTION

Hydraulic Service Jack is designed to lift, but not support, one end of a vehicle. Immediately after lifting, loads must be supported by a pair of appropriately rated jack stands. This Fast Lift service jack has a unique feature that provides fast, no load lifts to the jacking point, at which time it lifts in approximately 1/4"~3/4" increments.



**NEVER** use hydraulic jack as stand-alone device. After lifting, **immediately** support the lifted vehicle with a pair of appropriately rated jack stands.

## PREPARATION

### Assembly

Insert handle into the handle fork. Tighten the bolt on handle fork to prevent accidental removal of handle while in use.

### Before Use

1. Verify that the product and application are compatible, if in doubt call Banner Tech. Service (816) 891-6390.
2. Before using this product, read the operator's manual completely and familiarize yourself thoroughly with the product, its components and recognize the hazards associated with its use.
3. To familiarize yourself with basic operation, locate and turn the release valve (handle):
  - a. Clockwise until firm resistance is felt to further turning. This is the '**CLOSED**' release valve position used to **raise** the saddle.
  - b. Counter-clockwise, but no more than 1/2 turn from the closed position. This is the '**OPEN**' release valve position used to **lower** the saddle.
4. With saddle fully lowered, remove the oil filler plug. Pump 6 to 8 full strokes. This will help release any pressurized air which may be trapped within the reservoir. Check oil level. Proper oil level will vary from just covering the ram cylinder to 3/16" above it as seen from the oil filler hole. Reinstall oil filler plug.
5. Ensure that jack rolls freely. Raise and lower the unloaded saddle throughout the lifting range before putting into service to ensure the pump operates smoothly. Replace worn or damaged parts and assemblies with authorized replacement parts only.

## SPECIFICATIONS

Model	Capacity	Jack Size (L x W x H)	Min. Height	Max. Height	Saddle Dia.
B6350	3-1/2 Ton	28-1/2" x 13-1/2" x 6-5/8"	5-1/8"	21-1/2"	4-3/8"

## OPERATION

### Lifting



*Only attachments and/or adapters supplied by the manufacturer shall be used. Lift only on area of the vehicle as specified by the vehicle manufacturer.*

1. Follow the vehicle manufacturer's recommended guidelines for lifting. Engage the emergency brake and chock each unlifted wheel in both directions to prevent inadvertent vehicle movement.
2. Close the release valve by turning the handle clockwise until firm resistance is felt.
3. Refer to the vehicle manufacturer owner's manual to locate approved lifting points on the vehicle. Center jack saddle under lift point.
4. Verify lift point, pump handle to contact lift point. To lift, pump handle until load reaches desired height.
5. Transfer the load **immediately** to appropriately rated jack stands.



**NEVER** use hydraulic jack as a stand alone device! **ALWAYS** transfer the lifted load **IMMEDIATELY** to a pair of appropriately rated jack stands. Use one pair of jack stands per vehicle. Rated capacity is per pair only! Do not exceed rated capacity.

### Lowering



*Be sure all tools and personnel are clear before lowering load. **Slowly open the release valve!** The more you turn the handle counter-clockwise, the faster the load will come down. **Maintain control** of the rate of speed at which the load lowers at all times!*

1. Raise load high enough to clear the jack stands.
2. Remove jack stands carefully.
3. **Slowly** turn the handle counter-clockwise, but no more than 1/2 full turn. If the load fails to lower:
  - a. Use another jack to raise the vehicle high enough to reinstall jack stands.
  - b. Remove the malfunctioning jack and then the jack stands.
  - c. Use the functioning jack to lower the vehicle.
4. After removing jack from under the vehicle, fully lower the saddle to reduce ram exposure to rust and contamination.

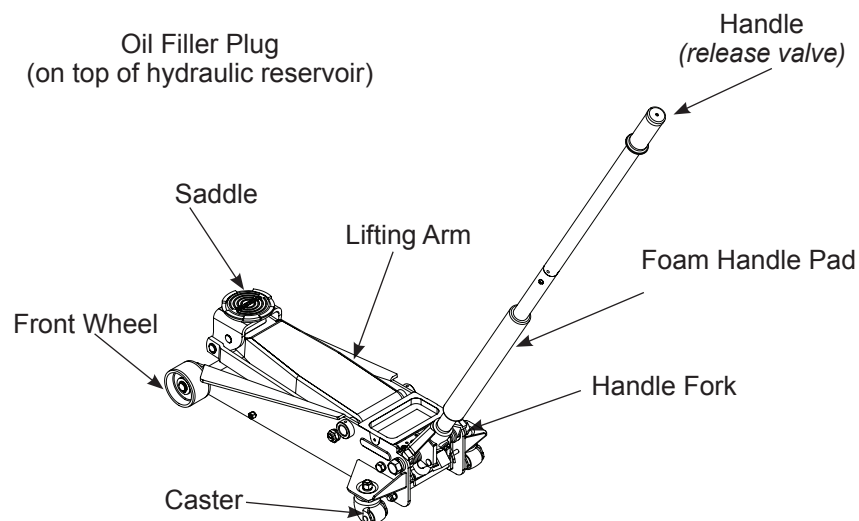


Figure 1 - Typical Jack Nomenclature

**⚠ WARNING**

- **Study, understand, and follow** all printed materials provided with/on this product **before use**.
- **Do not** exceed rated capacity.
- Use **only** on hard, level surface.
- **This is a lifting device only!**
- **Immediately** after lifting, support the load with a **pair** of appropriately rated jack stands.
- Lift **only** on areas of the vehicle as specified by the vehicle manufacturer.
- **Do not** move or **dolly** the **vehicle** while on the jack.
- No alterations shall be made to this product.

**FAILURE TO HEED THESE MARKINGS MAY RESULT IN PERSONAL INJURY AND/OR PROPERTY DAMAGE**

**⚠ WARNING**



To avoid **crushing and related injuries**:

- **Never** work on, under or around a load supported only by hydraulic jack.
- **Always** use a pair of adequately rated jack stands.
- Chock each unlifted tire in both directions.
- **Do not** use this device to lift, level, lower, support nor move a house, mobile home, travel trailer, camper or any building structure.
- **Be alert** and **sober** when using this product. Do not operate under the influence of drugs or alcohol.

## MAINTENANCE

**NOTE:** Use only good grade hydraulic jack oil. Avoid mixing different types of fluid and NEVER use brake fluid, turbine oil, transmission fluid, motor oil or glycerin. Improper fluid can cause premature failure of the jack and the potential for sudden and immediate loss of load. We recommend Mobil DTE 13M or equivalent.

### Adding oil

1. With saddle fully lowered set jack in its upright, level position. Remove oil filler plug.
2. Fill with oil until ~3/16" above the inner cylinder as seen from the oil filler hole. Reinstall oil filler plug.

### Changing oil

For best performance and longest life, replace the complete fluid supply at least once per year.

1. With saddle fully lowered, remove oil filler plug.
2. Lay the jack on its side and drain the fluid into a suitable container.

**Note.** Dispose of hydraulic fluid in accordance with local regulations.

3. Fill with oil until ~3/16" above the inner cylinder as seen from the oil filler hole. Reinstall oil filler plug.

### Lubrication

A periodic coating of light lubricating oil to pivot points, axles and hinges will help to prevent rust and assure that wheels, casters and pump assemblies move freely.

### Cleaning

Periodically check the pump piston and ram for signs of rust or corrosion. Clean as needed and wipe with an oily cloth.

**Note:** Never use sandpaper or abrasive material on these surfaces!

### Storage

When not in use, store the jack with saddle fully lowered.

## TROUBLESHOOTING

Symptom	Possible Causes	Corrective Action
Jack will not lift load	<ul style="list-style-type: none"> <li>• Release valve not tightly closed</li> <li>• Load is too heavy</li> </ul>	<ul style="list-style-type: none"> <li>• Ensure release valve tightly closed</li> <li>• Consider higher capacity jack</li> </ul>
Jack will lift, but not maintain pressure	<ul style="list-style-type: none"> <li>• Release valve not tightly closed</li> <li>• Hydraulic unit malfunction</li> </ul>	<ul style="list-style-type: none"> <li>• Ensure release valve tightly closed</li> <li>• Discontinue use, contact Banner technical service</li> </ul>
Jack will not lower after unloading	<ul style="list-style-type: none"> <li>• Reservoir overfilled</li> <li>• Linkages binding</li> <li>• Fluid level low</li> </ul>	<ul style="list-style-type: none"> <li>• Drain fluid to proper level</li> <li>• Clean and lubricate moving parts</li> <li>• Ensure proper fluid level</li> </ul>
Poor lift performance	<ul style="list-style-type: none"> <li>• Fluid level low</li> <li>• Hydraulic unit malfunction</li> </ul>	<ul style="list-style-type: none"> <li>• Ensure proper fluid level</li> <li>• Discontinue use, contact Banner technical service</li> </ul>
Will not lift to full extension	<ul style="list-style-type: none"> <li>• Fluid level low</li> </ul>	<ul style="list-style-type: none"> <li>• Ensure proper fluid level</li> </ul>

## REPLACEMENT PARTS

*(refer to page 6)*

Not all components of the jack are replacement items, but are illustrated as a convenient reference of location and position in the assembly sequence. When ordering parts, please give the Model number and parts description. Call or write for current pricing: SFA Companies, 10939 N. Pomona Ave. Kansas City, MO 64153, U.S.A.  
 E-Mail: [sales@blackhawk-automotive.com](mailto:sales@blackhawk-automotive.com) Tel: (816) 891-6390 Fax: (816) 891-6599

**Replacement Parts for Model B6350:**

Item	Part No.	Description	Qty
1	B6350-1	SADDLE PAD	1
2	B6350-2	SADDLE HOLDING BLOCK	1
3	B6350-3	SADDLE	1
4	B6350-4	RETURN SPRING	2
5	B6350-5	HANDLE SLEEVE ASSEMBLY	1
6	B6350-6	HANDLE LOCK FASTENER	1
7	B6350-7	HYDRAULIC UNIT	1
8	B6350-8	RELEASE VALVE ASSEMBLY	1
9	B6350-9	AIR VENT SCREW	1
10	B6350-10	FRONT WHEEL ASSEMBLY	2
11	B6350-11	REAR CASTER	2
12	B6350-12	HANDLE ASSEMBLY	1
-	B6350-13	REPAIR KIT HYDRAULIC	-

\*\* Replacement requires special skills, knowledge, and equipment. Only authorized service center may perform the repair and/or replacement of these items.

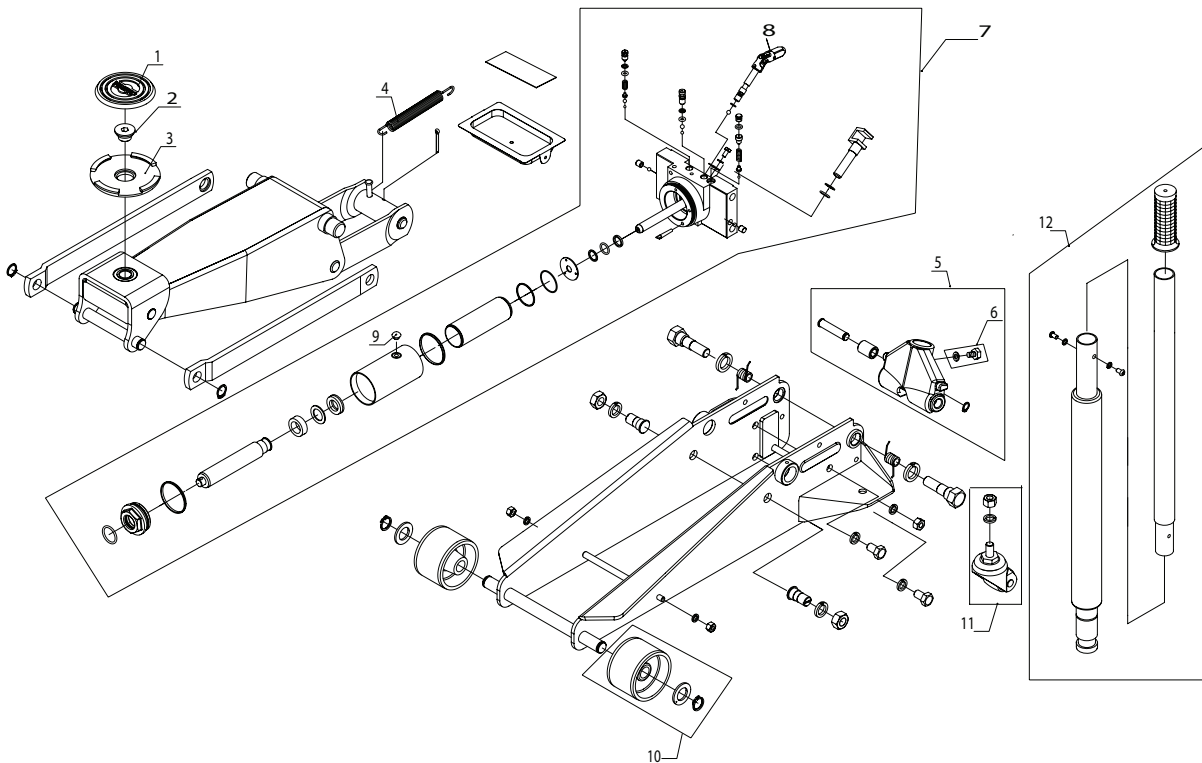


Figure 2 - Replacement Parts Illustration for Model B6350

## ONE YEAR LIMITED WARRANTY

For a period of one (1) year from date of purchase, SFA Companies will repair or replace, at its option, without charge, any of its products which fails due to a defect in material or workmanship under normal usage. This limited warranty is a consumer's exclusive remedy.

Performance of any obligation under this warranty may be obtained by returning the warranted product, freight prepaid, to SFA Companies Warranty Service Department, 10939 N. Pomona Ave., Kansas City, MO 64153.

Except where such limitations and exclusions are specifically prohibited by applicable law,

(1) THE CONSUMER'S SOLE AND EXCLUSIVE REMEDY SHALL BE THE REPAIR OR REPLACEMENT OF DEFECTIVE PRODUCTS AS DESCRIBED ABOVE.

(2) SFA COMPANIES SHALL NOT BE LIABLE FOR ANY CONSEQUENTIAL OR INCIDENTAL DAMAGE OR LOSS WHATSOEVER.

(3) ANY IMPLIED WARRANTIES, INCLUDING WITHOUT LIMITATION THE IMPLIED WARRANTIES OF MERCHANTABILITY AND FITNESS FOR A PARTICULAR PURPOSE, SHALL BE LIMITED TO ONE YEAR, OTHERWISE THE REPAIR, REPLACEMENT OR REFUND AS PROVIDED UNDER THIS EXPRESS LIMITED WARRANTY IS THE EXCLUSIVE REMEDY OF THE CONSUMER, AND IS PROVIDED IN LIEU OF ALL OTHER WARRANTIES, EXPRESS OR IMPLIED.

(4) ANY MODIFICATION, ALTERATION, ABUSE, UNAUTHORIZED SERVICE OR ORNAMENTAL DESIGN VOIDS THIS WARRANTY AND IS NOT COVERED BY THIS WARRANTY.

Some states do not allow limitations on how long an implied warranty lasts, so the above limitation may not apply to you. Some states do not allow the exclusion or limitation of incidental or consequential damages, so the above limitation or exclusion may not apply to you. This warranty gives you specific legal rights, and you may also have other rights, which vary from state to state.



SFA Companies  
10939 N. Pomona Ave. Kansas City, MO 64153  
816-891-6390  
sales@blackhawk-automotive.com





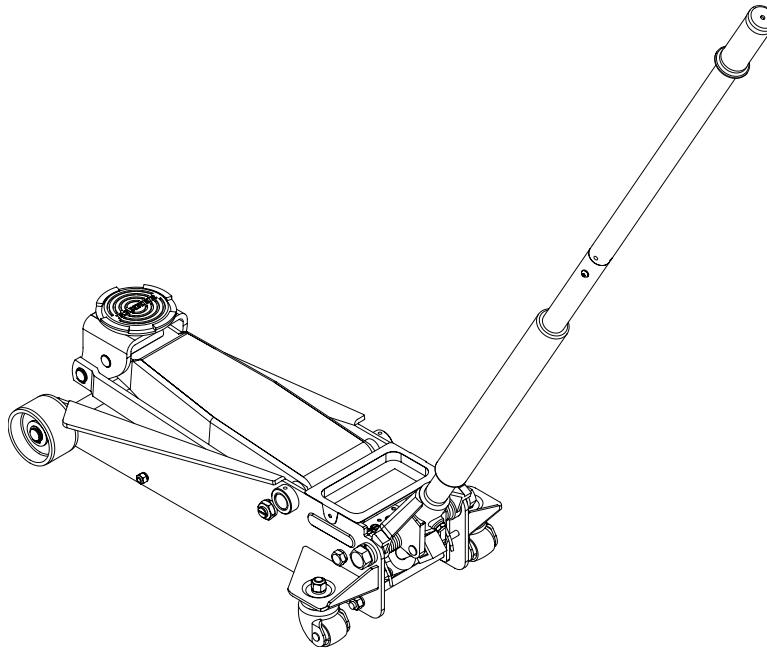


# Mode d'emploi et liste des pièces

## Cric Hydraulique d'Atelier Levage Rapide

MODÈLE  
B6350

CAPACITÉ  
3-1/2 TONNES



Brevet U.S. No: 5,946,912 • 6,199,379



Ce symbole indique qu'il faut être prudent. Lorsqu'il apparaît dans ce mode d'emploi, il indique un risque de blessures corporelles potentiel. Pour ne pas subir de blessures graves, voire mortelles, veuillez toujours observer les consignes de sécurité.

### **WARNING**

To avoid **crushing and related injuries**:



**NEVER** work on, under or around a load supported only by a hydraulic jack. **ALWAYS** use a pair of adequately rated jack stands.

### **AVERTISSEMENT**

Pour ne pas se faire écraser ou subir de blessures:



**NE JAMAIS** travailler sur, sous ou autour d'une charge soutenue par un cric hydraulique. Utilisez **TOUJOURS** une paire de chandelles de capacité adéquate.

SFA Companies  
10939 N. Pomona Ave. Kansas City, MO 64153  
sales@blackhawk-automotive.com

**Avant d'utiliser ce produit, lire attentivement ce guide et toutes les consignes de sécurité et instructions d'utilisation qu'il contient.**

Imprimé en PRC  
B6350-MO\_092015

## RENSEIGNEMENTS GÉNÉRAUX ET CONSEILS DE SÉCURITÉ

**Conservez ces directives.** Avant d'utiliser ce cric, et pour votre sécurité, lisez attentivement ce guide et assurez-vous de bien le comprendre. Avant d'utiliser ce cric, le propriétaire ou l'utilisateur doit savoir comment il fonctionne et comment l'utiliser en toute sécurité. Le propriétaire ou l'utilisateur doit être conscient que l'utilisation et la réparation de ce cric requièrent des compétences et des connaissances particulières. Avant d'autoriser l'utilisation de ce cric, les consignes de sécurité et les renseignements doivent avoir été transmis à l'utilisateur dans sa langue maternelle. Si un doute subsiste quant à la sécurité ou l'usage correct du cric, le retirer immédiatement du service.

**Inspectez le cric avant chaque usage.** Si vous remarquez que certaines pièces sont cassées, déformées, fissurées ou endommagées, ne l'utilisez pas. Un cric qui semble endommagé ou qui fonctionne mal doit immédiatement être retiré du service. Si l'on pense que le cric a été soumis, ou semble avoir été soumis, à une surcharge d'impact (charge qui serait tombée accidentellement dessus), cessez immédiatement de l'utiliser et faites-le vérifier par un centre de réparation agréé par l'usine (adressez-vous au distributeur ou au fabricant pour une liste des centres de réparation agréés). Il est recommandé qu'un personnel qualifié inspecte annuellement le cric. Vous pouvez vous procurer des étiquettes et des modes d'emploi en vous adressant au fabricant.

## DESCRIPTION DU PRODUIT

Ce Cric hydraulique d'atelier est conçu pour soulever, et non soutenir, l'extrémité d'un véhicule. Aussitôt soulevée, la charge doit être soutenue par une paire de chandelles d'une capacité adéquate. Ce cric d'Atelier Levage Rapide possède une caractéristique unique : il s'élève rapidement et sans résistance jusqu'à contact avec le point de levage de la charge à soulever. À ce moment-là, il soulève par incréments d'environ 1/4" – 3/4".



**Ne jamais** utiliser un cric hydraulique comme seul dispositif de soutien. **Immédiatement** après avoir soulevé la charge, faites-la soutenir par une paire de chandelles de capacité adéquate.

## PRÉPARATION

### Assemblage

Insérez le levier dans le manchon. Bien serrer le boulon de manière à éviter un retrait accidentel du levier lors de l'utilisation.

### Avant l'utilisation

- Vérifiez que la capacité du cric soit compatible avec la tâche à accomplir. En cas de doute, appelez le Service Technique Banner (816) 891-6390.
- Lisez attentivement tout ce mode d'emploi avant d'utiliser le cric et habituez-vous à l'appareil et ses composants. Sachez reconnaître les dangers associés à l'utilisation du cric.
- Pour vous familiariser avec le fonctionnement de base du cric, repérez la soupape de décharge (bouton de poignée) et tournez :
  - Dans le sens des aiguilles d'une montre jusqu'à ferme résistance. Ceci est la position "**FERMÉE**" de la soupape utilisée pour **lever** la tête.
  - Dans le sens contraire des aiguilles d'une montre, mais pas plus qu'un demi tour à partir de la position fermée. Ceci est la position "**OUVERTE**" de la soupape, utilisée pour **baiss**er la tête.
- Avec la tête tout à fait baissée, retirez le bouchon de purge. Pompez 6 à 8 fois. Cela aidera à décharger l'excès d'air sous pression présent dans le réservoir. Vérifiez le niveau d'huile. Le niveau d'huile approprié varie, allant de 3/16" par-dessus le piston jusqu'à la base de l'orifice du réservoir, tel que vu par l'orifice. Remettez le bouchon.
- Veillez à ce que le cric roule librement. Levez et abaissez la tête sur toute l'amplitude d'élévation avant de mettre le cric en service pour vérifier si la pompe fonctionne correctement. Remplacez toute pièce usée ou endommagée uniquement par une pièce de rechange autorisée.

## DONNÉES TECHNIQUES

Modèle	Capacité	Dimension du cric (L x l x H)	Hauteur min.	Hauteur max.	Diamètre de la tête
B6350	3-1/2 Tonnes	28-1/2" x 13-1/2" x 6-5/8"	5-1/8"	21-1/2"	4-3/8"

# OPÉRATION

## Levage



Seul(e)s les pièces et/ou les adaptateurs fournis par le fabricant sont autorisé(e)s. Soulevez uniquement aux points de levage du véhicule indiqués par son fabricant.

1. Suivez les instructions du fabricant du véhicule pour le levage. Activez le frein à main et bloquez chacune des roues non soulevées dans les deux directions pour prévenir tout mouvement accidentel du véhicule.
2. Fermez la soupape de décharge en tournant la poignée dans le sens des aiguilles d'une montre jusqu'à ferme résistance.
3. Consultez le guide du fabricant du véhicule pour repérer les points de levage du véhicule. Centrez la tête du cric sous le point de levage.
4. Repérez le point de levage, centrez la tête du cric sous le point de levage. Pompez avec la poignée jusqu'à ce que la tête contacte le point de levage. Pour soulever, pompez avec la poignée jusqu'à ce que la charge atteigne la hauteur désirée.
5. Effectuez **immédiatement** le transfert de la charge vers une paire de chandelles de puissance adéquate.



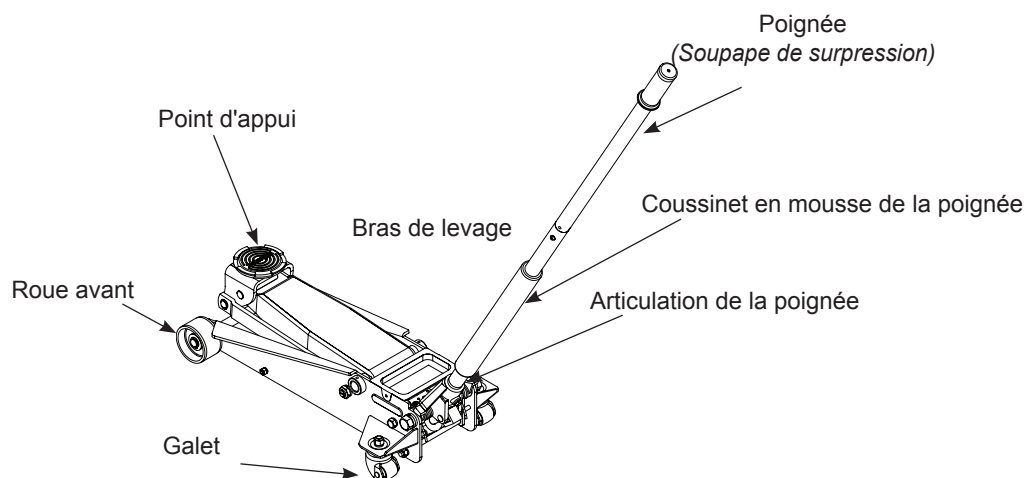
**NE JAMAIS** utiliser un cric hydraulique comme unique soutien! Transférez immédiatement la charge soulevée vers une paire de chandelles de capacité adéquate. La capacité cotée est par paire seulement! N'excédez pas la capacité cotée.

## Abaissement



Veillez à ce que les personnes et outils soient dégagés avant d'abaisser la charge. Ouvrez lentement la soupape de décharge! Plus vous tournez la poignée de la soupape de décharge, dans le sens contraire des aiguilles d'une montre, plus vite la charge descendra. Gardez toujours le contrôle de la vitesse à laquelle la charge s'abaisse.

1. Soulevez la charge de manière à pouvoir enlever les chandelles.
2. Retirez prudemment les chandelles.
3. Tournez **lentement** la poignée de la soupape de décharge, dans le sens contraire des aiguilles d'une montre, mais pas plus d'un demi tour. Si la charge ne s'abaisse pas :
  - a. Utilisez un autre cric pour soulever la charge et remettre les chandelles.
  - b. Enlevez le cric défectueux et les chandelles.
  - c. Utilisez le bon cric pour abaisser le véhicule.
4. Après avoir retiré le cric du véhicule, rabaissez complètement sa tête pour réduire le risque de rouille et contamination du vérin.





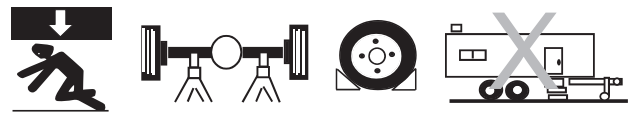
## AVERTISSEMENT

- Il faut prendre connaissance des directives fournies avec ce produit, les comprendre et s'y conformer avant de l'utiliser.
- **N'excédez pas** la capacité recommandée.
- Utilisez sur un sol plat et stable.
- Ceci est un appareil de levage **uniquement**. **Aussitôt** soulevée, la charge doit être supportée par une **paire** de chandelles d'une puissance adéquate.
- Soulevez **uniquement** aux endroits du véhicule recommandés par le fabricant de celui-ci.
- Ne **bougez** ou ne **déplacez** pas le **véhicule** lorsqu'il est supporté par les crics.
- Ne pas effectuer d'altération au produit.

RESPECTEZ LES MISES EN GARDE ET AVERTISSEMENTS DE CE GUIDE **SOUS PEINE DE PROVOQUER DES BLESSURES PERSONNELLES OU DE CAUSER DES DÉGATS MATÉRIELS**



## AVERTISSEMENT



Pour éviter tout risque d'accident ou d'écrasement:

- Ne travaillez jamais sur, en dessous, ou autour d'une charge supportée seulement par un cric hydraulique.
- Utilisez **TOUJOURS** une paire de chandelles de puissance adéquate.
- Calez les roues non levées dans les deux directions pour éviter un mouvement accidentel du véhicule.
- N'utilisez pas ce produit pour soulever, niveler, abaisser ou supporter ou déplacer une maison, une maison mobile, un camping car, une caravane ou toute forme de construction.
- Soyez alerte et sobre lorsque vous manipulez ce produit. Ne pas manoeuvrer si vous êtes en état d'ébriété ou sous l'influence d'une drogue.

## ENTRETIEN

**NOTE:** Utilisez uniquement de l'huile de cric hydraulique haut de gamme. Évitez de mélanger des huiles différentes et n'utilisez jamais d'huile de frein, de turbine, de transmission, de moteur ou de glycérine. L'utilisation d'une huile non adéquate peut entraîner une chute soudaine de la charge. Nous recommandons l'huile Mobil DTE 13M.

### Ajouter de l'huile

1. Avec la tête complètement abaissée, mettez le cric en position debout, nivelez-le. Enlevez le bouchon du réservoir.
2. Remplissez jusque 3/16" au-dessus du cylindre intérieur (vu de l'orifice du réservoir d'huile). Remettez le bouchon.

### Changer l'huile

Pour un rendement maximal, changez l'huile au moins une fois par an.

1. Avec la tête complètement abaissée, enlevez le bouchon du réservoir d'huile.
2. Placez le cric sur son côté et videz l'huile dans un récipient adéquat.

**Note:** Recyclez l'huile selon les réglementations locales.

3. Remplissez jusque 3/16" au-dessus du cylindre intérieur (vu de l'orifice du réservoir d'huile). Remettez le bouchon.

### Lubrification

Appliquez une couche d'huile légère sur les points de pivots, les axes et les charnières, afin d'aider à prévenir la rouille et d'assurer un mouvement libre des roues, des roulettes, et des éléments de la pompe.

### Nettoyage

Vérifiez périodiquement le piston de la pompe et le vérin (rouille ou corrosion). Nettoyez si nécessaire et essuyez avec une serviette imbibée d'huile.

**Note:** N'utilisez jamais de papier de verre ou de matériau abrasif sur ces surfaces.

### Remisage

Rangez le cric avec la tête complètement abaissée lorsqu'il n'est pas utilisé.

## DIAGNOSTIC DES PANNES

Symptômes	Causes possibles	Solutions
Le cric ne soulève pas la charge	<ul style="list-style-type: none"> <li>• La soupape de décharge n'est pas complètement fermée</li> <li>• Surcharge</li> </ul>	<ul style="list-style-type: none"> <li>• Resserrez fermement la soupape de décharge</li> <li>• Songez à utiliser un cric plus puissant</li> </ul>
Le cric soulève la charge mais ne maintient pas la pression	<ul style="list-style-type: none"> <li>• La soupape de décharge n'est pas complètement fermée</li> <li>• Mauvais fonctionnement de l'unité hydraulique</li> </ul>	<ul style="list-style-type: none"> <li>• Resserrez fermement la soupape de décharge</li> <li>• Arrêtez l'usage et contactez le service technique Banner</li> </ul>
Le cric ne s'abaisse pas après avoir déchargé	<ul style="list-style-type: none"> <li>• Réservoir d'huile trop rempli</li> <li>• Tringleries coincées</li> <li>• Niveau d'huile bas</li> </ul>	<ul style="list-style-type: none"> <li>• Videz l'huile jusqu'au niveau approprié</li> <li>• Lubrifiez et nettoyez les pièces amovibles</li> <li>• Vérifiez le niveau d'huile</li> </ul>
Faible rendement	<ul style="list-style-type: none"> <li>• Niveau d'huile bas</li> <li>• Mauvais fonctionnement de l'unité hydraulique</li> </ul>	<ul style="list-style-type: none"> <li>• Vérifiez le niveau d'huile</li> <li>• Cessez l'utilisation et contactez le service technique Banner</li> </ul>
Ne soulève pas jusqu'à extension totale	<ul style="list-style-type: none"> <li>• Niveau d'huile bas</li> </ul>	<ul style="list-style-type: none"> <li>• Vérifiez le niveau d'huile</li> </ul>

## PIÈCES DE RECHANGE

*(voir page 6)*

Les parties du cric ne sont pas toutes remplaçables. Elles sont toutefois illustrées en tant que référence pratique pour indiquer leur emplacement et leur position lors de l'assemblage. Lors de votre commande, indiquez toujours les numéros de modèle et de série ainsi que la description de la pièce. Pour connaître le prix courant de la ou des pièces, veuillez nous téléphoner ou nous écrire à :

SFA Companies, 10939 N. Pomona Ave. Kansas City, MO 64153, U.S.A.

Site internet: [sales@blackhawk-automotive.com](mailto:sales@blackhawk-automotive.com) Tel: (816) 891-6390 Télécopieur: (816) 891-6599

**Pièces de rechange pour le modèle B6350:**

Item	Part No.	Description	Qty
1	B6350-1	SADDLE PAD	1
2	B6350-2	SADDLE HOLDING BLOCK	1
3	B6350-3	SADDLE	1
4	B6350-4	RETURN SPRING	2
5	B6350-5	HANDLE SLEEVE ASSEMBLY	1
6	B6350-6	HANDLE LOCK FASTENER	1
7	B6350-7	HYDRAULIC UNIT	1
8	B6350-8	RELEASE VALVE ASSEMBLY	1
9	B6350-9	AIR VENT SCREW	1
10	B6350-10	FRONT WHEEL ASSEMBLY	2
11	B6350-11	REAR CASTER	2
12	B6350-12	HANDLE ASSEMBLY	1
-	B6350-13	REPAIR KIT HYDRAULIC	-

\*\* Le remplacement de ces pièces nécessite des connaissances et des compétences spéciales de même que du matériel spécial. Seul un centre de réparation agréé est autorisé à réparer ou à remplacer ces articles. Contactez le service technique pour obtenir la liste des centres de réparation.

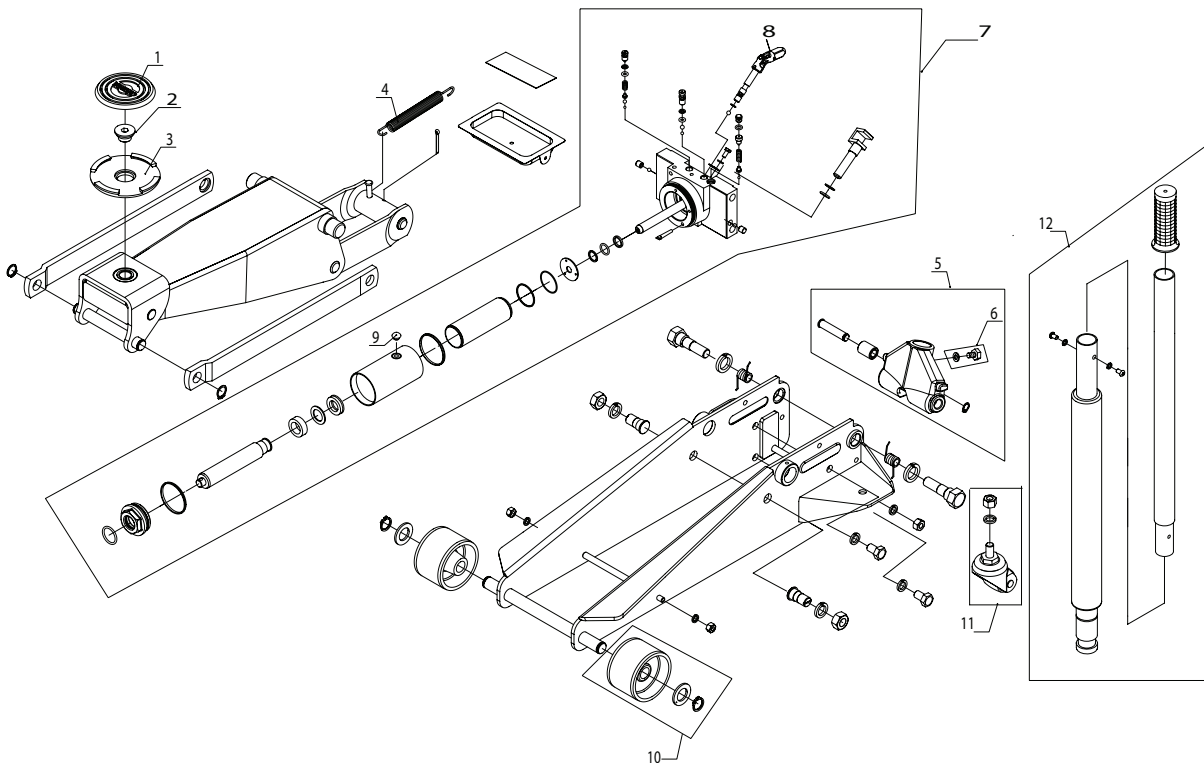


Figure 2 - Illustration des pièces de rechange pour le modèle B6350

## GARANTIE LIMITÉE D'UN AN

Pour une période d'un (1) an à compter de la date d'achat, SFA Companies s'engage à réparer ou remplacer (selon les cas, jugés par lui), et gratuitement, un de ses produits qui tomberait en panne suite à un vice de fabrication ou de matière, sous réserve que le dit produit ait été utilisé comme stipulé dans le guide. Cette garantie limitée est le seul recours exclusif du client.

Pour se prévaloir de cette obligation en vertu de la garantie, le produit sous garantie doit être retourné port payé à : SFA Companies Warranty Service Department, 10939 N. Pomona Ave., Kansas City, MO 64153.

A l'exception des limitations et exclusions spécifiquement interdites par la loi,

(1) LE SEUL ET UNIQUE RECOURS DU CONSOMMATEUR SERA LA RÉPARATION OU LE REMPLACEMENT DU PRODUIT DÉFECTUEUX AINSI DÉCRIT CI-DESSUS.

(2) SFA COMPANIES N'EST PAS RESPONSABLE DE DOMMAGE INDIRECT OU CONSÉCUTIF QUEL QU'IL SOIT.

(3) TOUTE GARANTIE TACITE, Y COMPRIS NOTAMMENT ET SANS LIMITES LES GARANTIES DE COMMERCIALISATION, D'ADÉQUATION À UN USAGE PARTICULIER, SERA LIMITÉE À UN (1) AN; AUTREMENT, LA RÉPARATION, LE REMPLACEMENT OU LE REMBOURSEMENT TEL(LE) QUE DÉTERMINÉ(E) DANS LA PRÉSENTE GARANTIE SERA LE SEUL ET UNIQUE RECOURS DU CONSOMMATEUR ET SERA FOURNIE AU LIEU DE TOUTE AUTRE GARANTIE EXPRESSE OU TACITE.

(4) TOUTE MODIFICATION, ALTÉRATION, RÉPARATION NON AUTORISÉE OU ABUS ANNULE LA PRÉSENTE GARANTIE ET N'EST PAS COUVERTE PAS CETTE GARANTIE.

Certains états ne permettent pas de limitations pour une garantie tacite, dès lors, la limitation ci-dessus peut ne pas s'appliquer à vous. Certains états ne permettent pas l'exclusion ou la limitation des dommages indirects ou consécutifs, dès lors, l'exclusion ou la limitation peut ne pas s'appliquer à vous. La présente garantie vous confère des droits légaux spécifiques et vous pourriez bénéficier d'autres droits variant d'un état à l'autre.



SFA Companies  
10939 N. Pomona Ave. Kansas City, MO 64153  
816-891-6390  
sales@blackhawk-automotive.com

