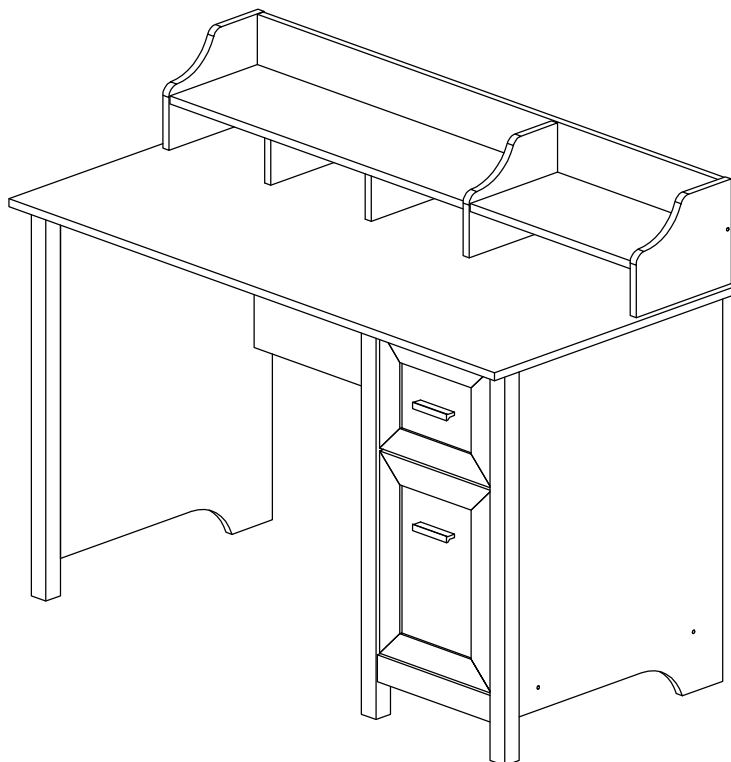


# ASSEMBLY INSTRUCTIONS



MODEL RTA-8411

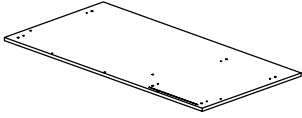
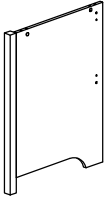

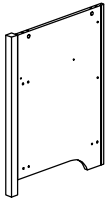
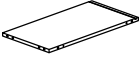
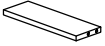
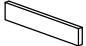
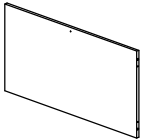
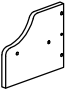
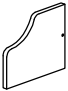




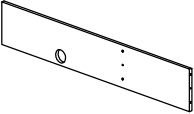
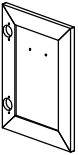
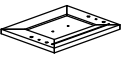
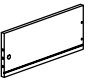
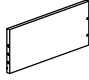
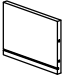
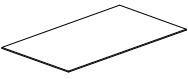

Thanks for purchasing one of our products.  
Please read carefully the assembly instructions before the installation.  
Do not discard this manual or any of the packaging material until the  
unit has been completely assembled.



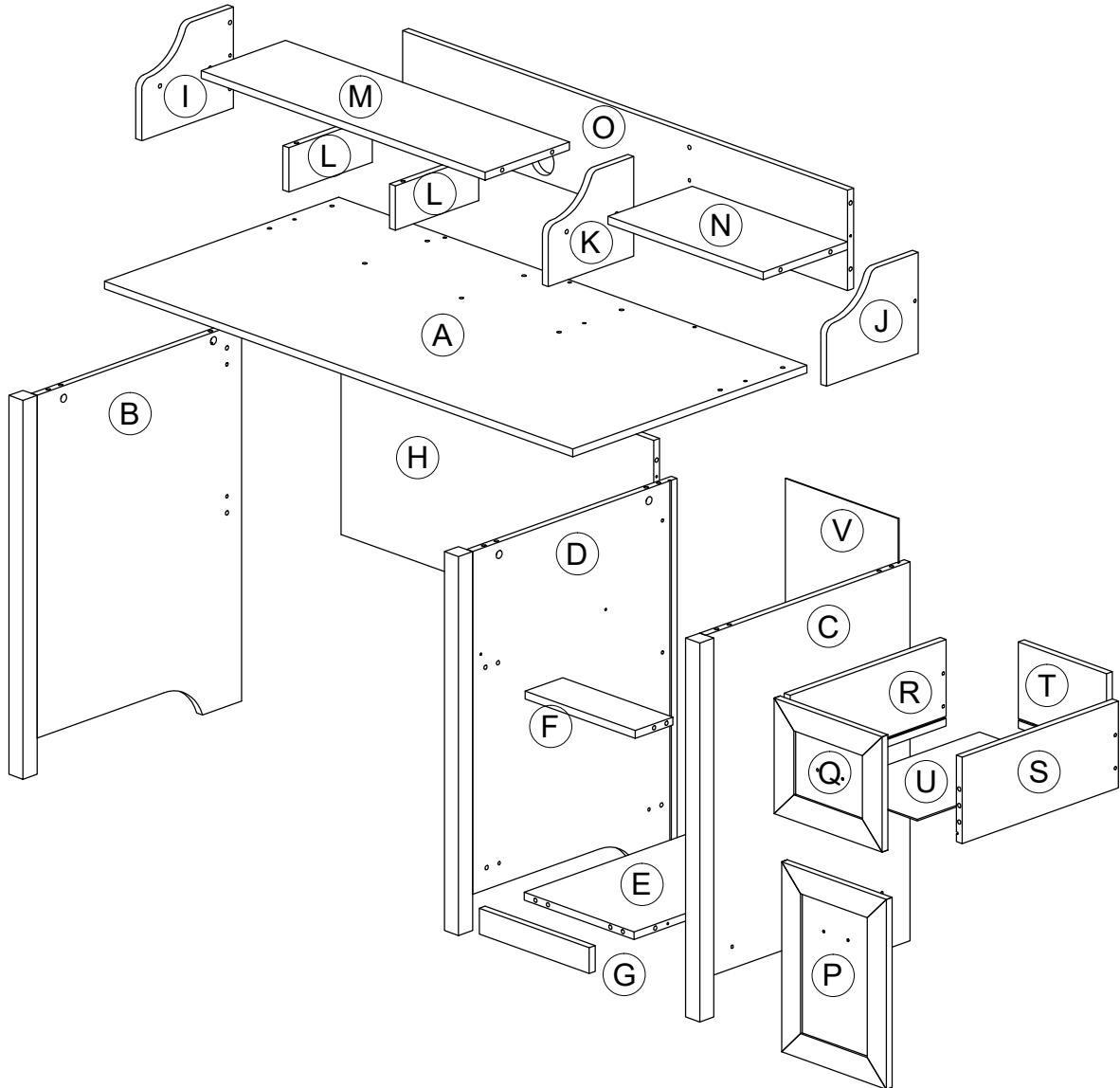
IMPORTED BY:



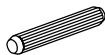

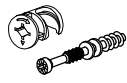


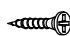
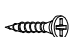



**•PARTS LIST**





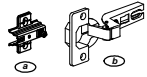
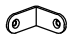


<p><b>A</b></p>  <p>▪ Main Panel</p>	<p><b>B</b></p>  <p>▪ Left Panel</p>	<p><b>C</b></p>  <p>▪ Right Panel</p>	<p><b>D</b></p>  <p>▪ Middle Panel</p>
<p><b>E</b></p>  <p>▪ Bottom Panel</p>	<p><b>F</b></p>  <p>▪ Top Crossbar</p>	<p><b>G</b></p>  <p>▪ Bottom Crossbar</p>	<p><b>H</b></p>  <p>▪ Left back Panel</p>
<p><b>I</b></p>  <p>▪ Left Upper panel</p>	<p><b>J</b></p>  <p>▪ Right Upper panel</p>	<p><b>K</b></p>  <p>▪ Middle Upper panel</p>	<p><b>L</b></p>  <p>▪ Divider panel x2</p>
<p><b>M</b></p>  <p>▪ Right Shelf panel</p>	<p><b>N</b></p>  <p>▪ Left Shelf panel</p>	<p><b>O</b></p>  <p>▪ Shelf Back Panel</p>	<p><b>P</b></p>  <p>▪ Door Panel</p>
<p><b>Q</b></p>  <p>▪ Drawer Front Panel</p>	<p><b>R</b></p>  <p>▪ Drawer Left Panel</p>	<p><b>S</b></p>  <p>▪ Drawer Right Panel</p>	<p><b>T</b></p>  <p>▪ Drawer Back Panel</p>
<p><b>U</b></p>  <p>▪ Drawer Bottom Panel</p>	<p><b>V</b></p>  <p>▪ Right Back Panel</p>		

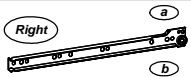

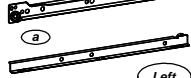

-MAIN PARTS LAYOUT



**•HARDWARE**

PART	QTY.	ITEM	
1	2Pcs	Long Wooden Pin	
2	48Pcs	Short Wooden Pin	
3	10Sets	Cam Lock & Bolt Sets	
4	4Pcs	Screw - 5 x 8mm <small>(Euro Screw)</small>	
5	8Pcs	Screw TP 10#x1/2"	
6	4Pcs	Screw - 3 x 16mm	
7	6Pcs	Screw - 3.5 x 16mm	
8	4Pcs	Screw - 4 x 38mm	
9	17Pcs	Screw - 5 x 40mm	
10	4Pcs	Cam lock Caps	

11	9Pcs	Screw Caps	
12	1Pcs	Cable Management (Grommet)	
13	1Set	Handle L Shape (84mm) M3.5x15mm Screw	
14	1Set	Handle L Shape (84mm) M3.6x22mm Screw	
15	2Sets	Door Hinge Set (Both parts come joined together)	
16	1Pcs	L Bracket	
17	2Pcs	Z Bracket	
18	6Pcs	Plactic Feet	

PART	QTY.	ITEM	
19	1Set	Sliders Sets	   

**BEFORE YOU START THE ASSEMBLY, PLEASE READ THE FOLLOWING TIPS AND WARNINGS.**

- Do a quick inventory to make sure the product contains all the parts and hardware.
- Missing, damaged and defective parts can be replaced at no cost to you. Please refer to the CONTACT card included with the product.
- The replacement parts service is limited to the continental United States. If you reside in Hawaii, Puerto Rico, U.S. Dependencies or other countries, please contact the supplier from where the unit was purchased.
- If during assembly you find an issue or need clarification, please contact our Customer Service for assistance. Please refer to the CONTACT card included with the product.
- On each step read the instructions and analyze the illustrations thoroughly before proceeding to do the assembly.
- Make sure you understand which hardware will be used on each step. Using the wrong size of screw, bolt or pin might strip the threads or cause damage to the part in which it is being used.
- To avoid misalignments, always leave the screws loose and tighten them until all pieces are positioned correctly.
- Do not overtighten or force the screws as they might break, strip, damage the threads of the holes or get stuck inside the part.
- Sometimes the laminate might cover partially or entirely the hole on a panel, but the hole should still be located under the laminate.
- If there is no visible hole for the screw, pass and press the tip of your finger over the area where the hole should be located to feel the indentation, and once found, carefully pierce the laminate to reveal the hole underneath.
- If the hole seems too small for the screw, first make sure you are using the correct size of screw and that it's been installed in the correct hole. If the hole still appears to be too small, carefully pierce the laminate to reveal the hole's actual size.

☛ This unit uses cam bolts and locks. The following explains how to use them.

This is not an assembly step; it is a guide for when you are actually doing the assembly using this kind of hardware.

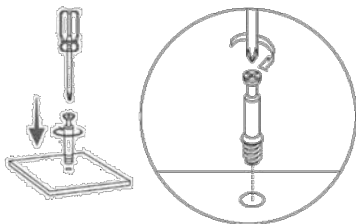
Cam Bolt



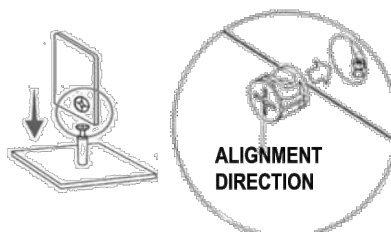
Cam Lock



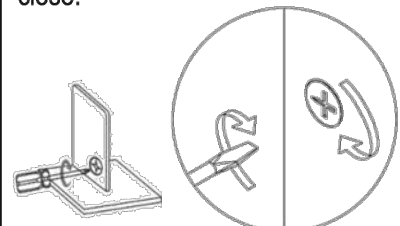
1. Screw the bolt into the corresponding panel.



2. In the other panel, insert the cam lock and align it so it can properly receive the bolt, then join both panels.



3. The panels might have a very small gap which is normal; turn the cam lock clockwise to lock the parts together and the gap will also close.



**1**

**2** x 48

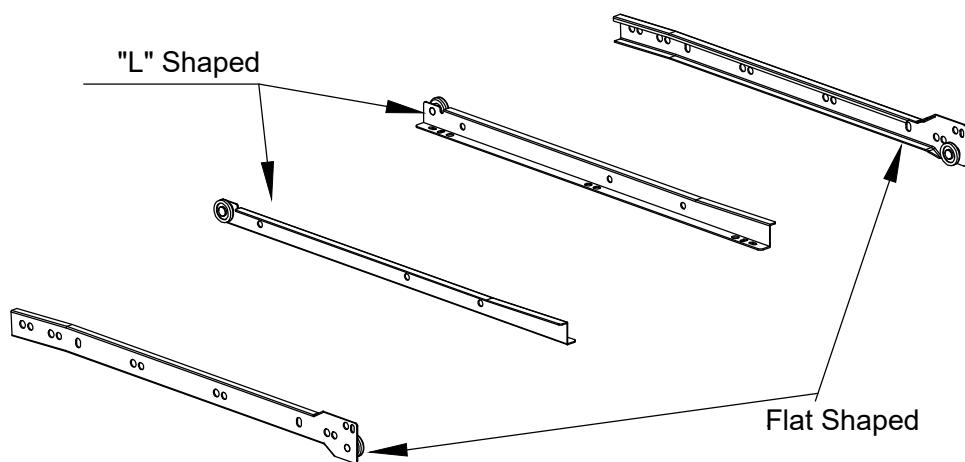
- Install 48pcs of small Wooden Pins (2) into all panels as shown. Use a wooden or light rubber hammer to avoid damage to the pins. Please pay close attention to which holes you have to use, and do not join any parts yet!

**2**

**3** x 10

- Attach all the bolts (3) to panels (A), (G) & (Q) as shown above. Please make sure to attach them to the correct holes as some holes are intended for different hardware in subsequent steps.

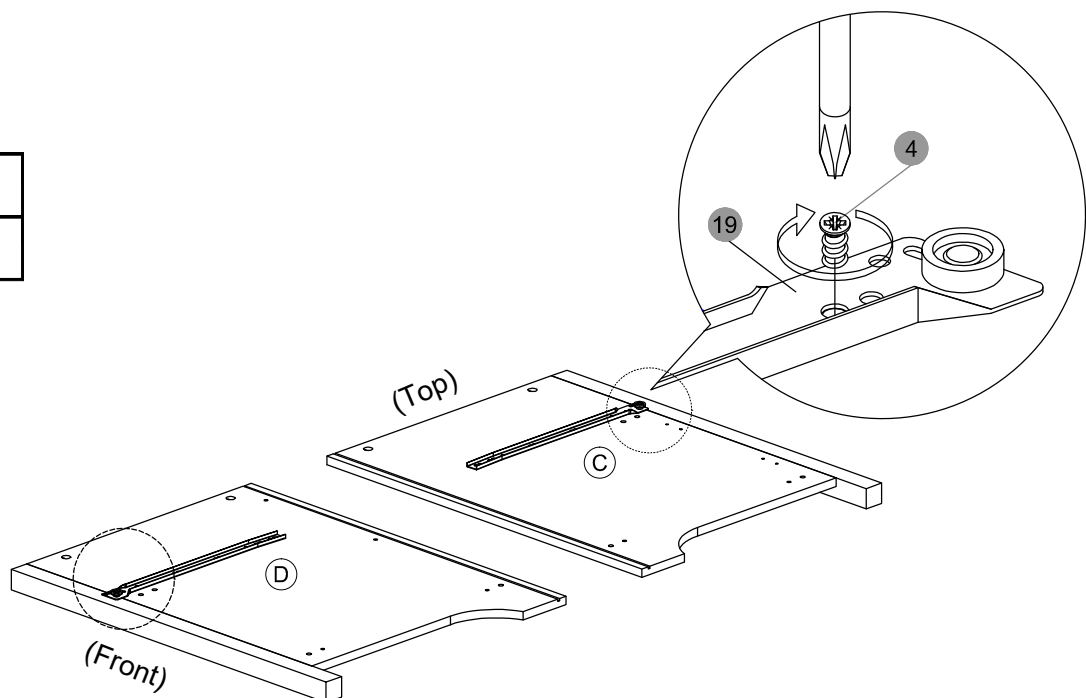
3



Separate the 4 pieces of the sliders (19) according to their shape:

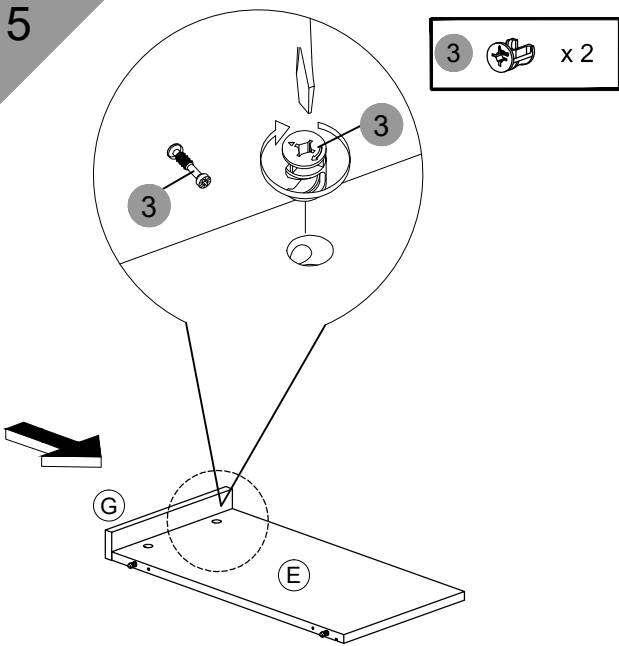
- The flat shaped will be used in the next step (2 pieces, both left and right).
- The "L" shaped will be used until step 23 (2 pieces, left and right).

4



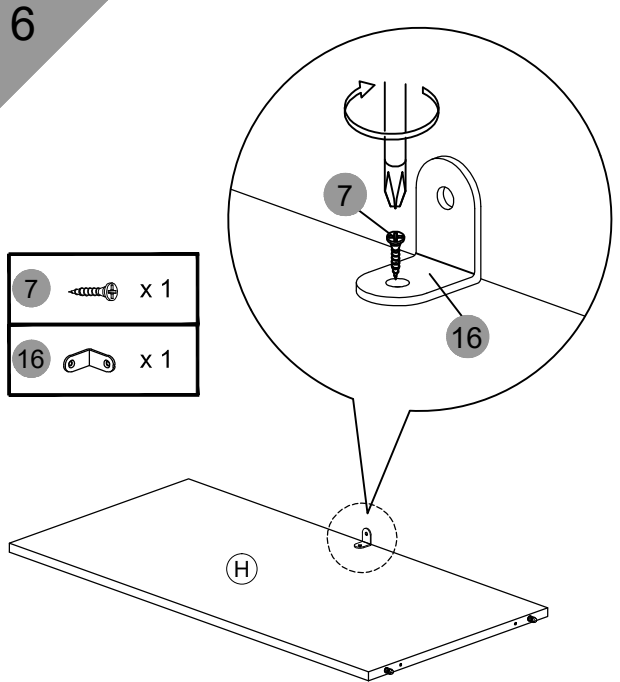
- Install the flat shaped sliders (19) on panels (C) and (D) using screws (4) as shown.

5



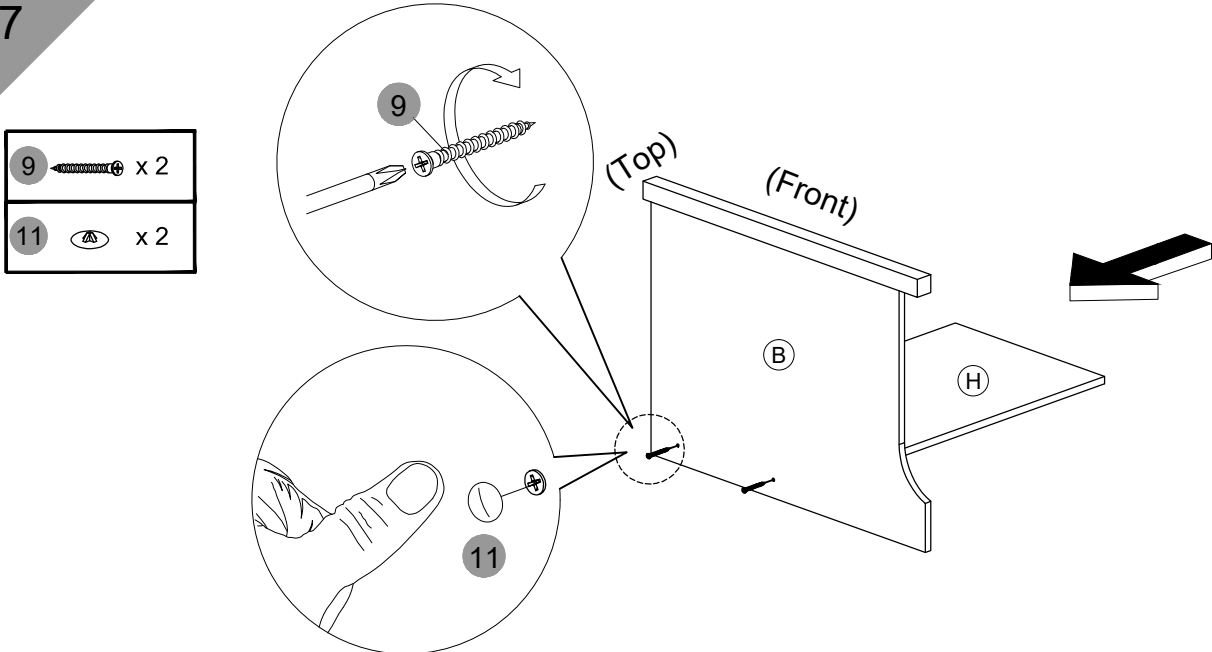
- First install and align the cam locks (3) into Bottom panel (E), then assemble the Bottom Crossbar (G) as shown and as explained in page 4.

6



- Attach L Bracket (16) to the top edge of panel (H) using screw (7) as shown.

7

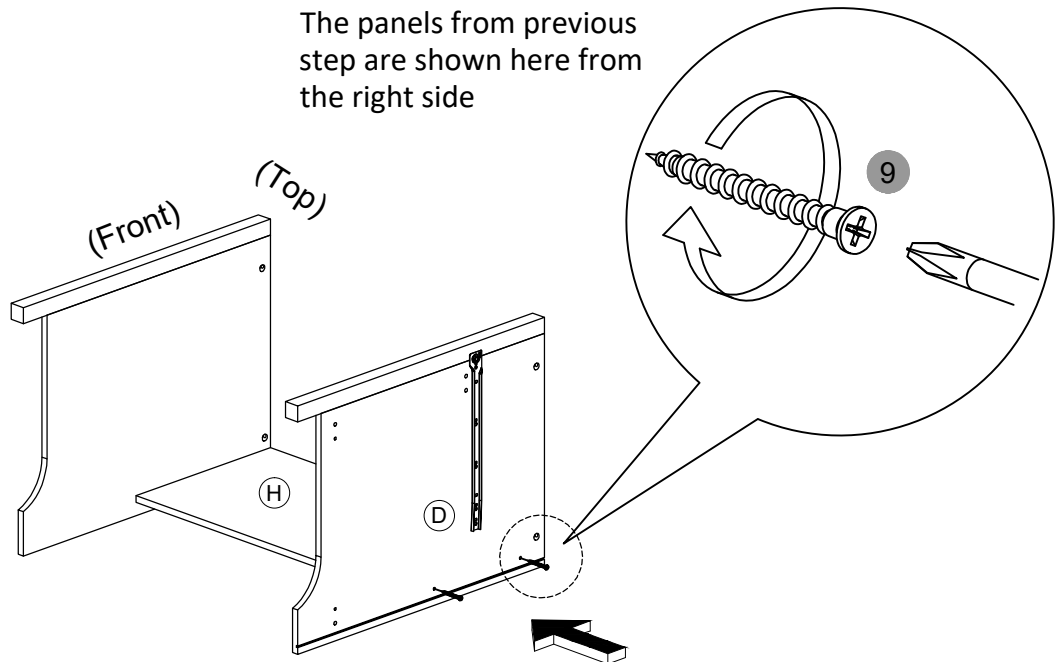
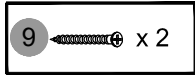


- Assemble panels (B) and (H) using screws (9) as shown. Attach the Plastic Caps (11) to side panels (B) as shown above.



8

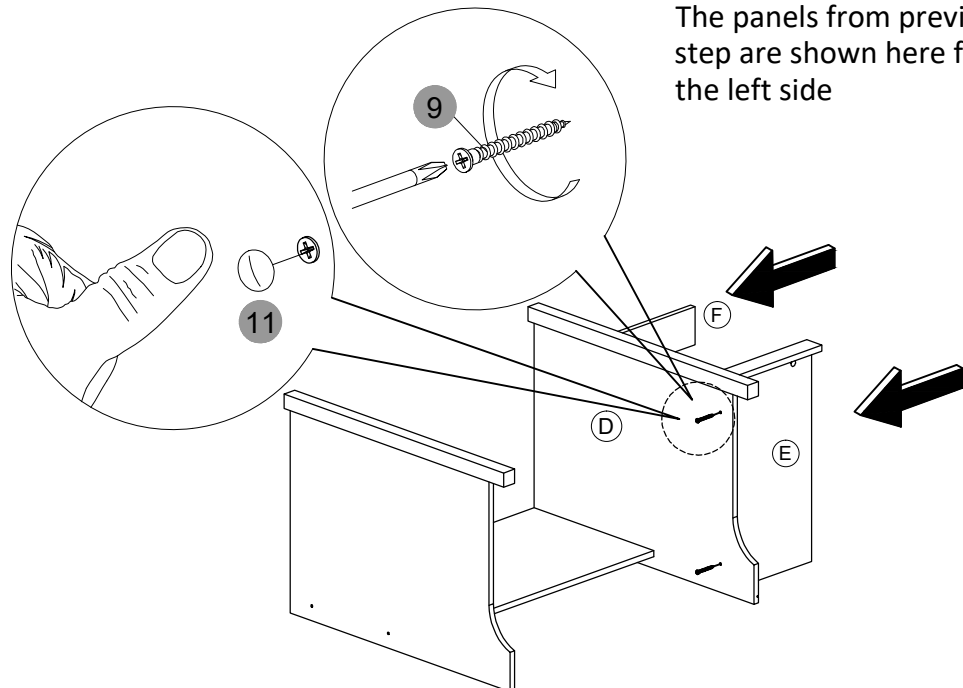
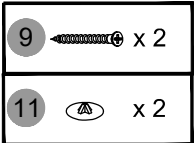
The panels from previous step are shown here from the right side



- Assemble the panel (D) to the panel (H) using screws (9) as shown.




9

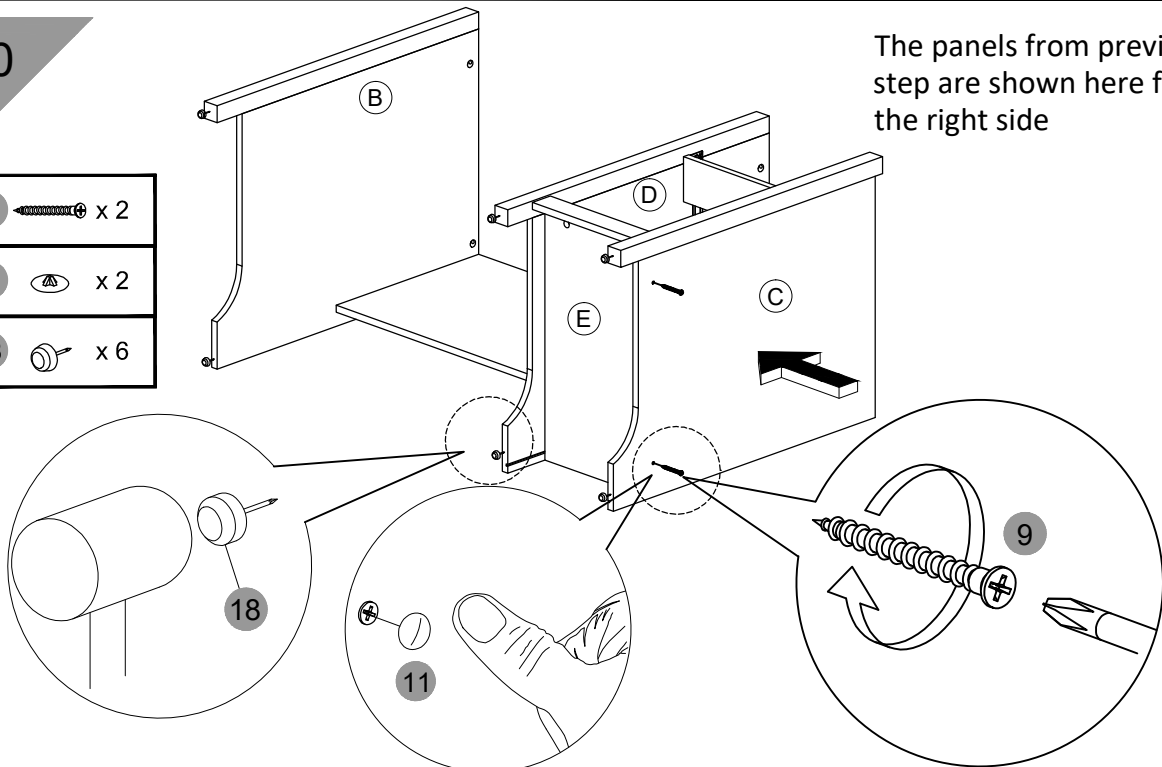
The panels from previous step are shown here from the left side



- First assemble the panel (E) to panel (D) using screws (9) and attach the plastic caps (11) as shown. Then install the panel (F) to panel (D) by just pushing the wooden pins into the holes.

10

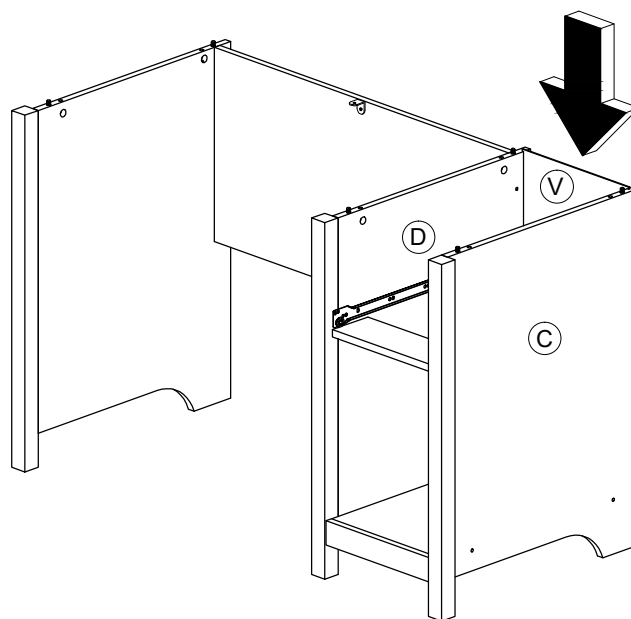
9		x 2
11		x 2
18		x 6



The panels from previous step are shown here from the right side

- First assemble the panel (C) to the panel (E) using screws (9), and attach the plastic caps (11) to panel (C), then install the plastic feet (18) to the bottom of panels (B), (D) and (C) as shown.

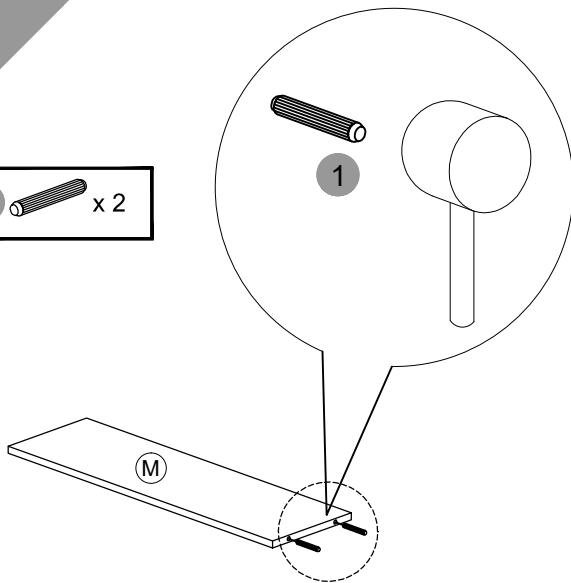
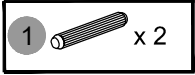
11



The panels from previous step are shown here in normal upright position

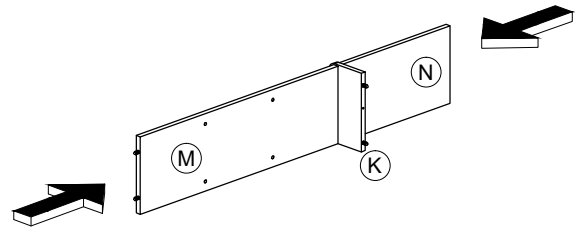
- Insert the back panel (V) into the grooves of the panels (C) and (D) as shown.

12



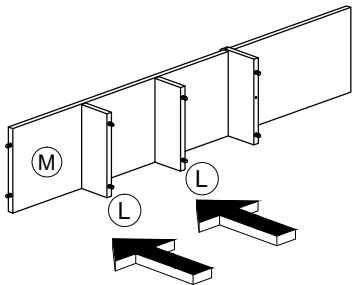
- Install 2 pcs of Long Wooden Pins (1) into panel (M) as shown. Use a wooden or light rubber hammer to avoid damage to the pins.

13



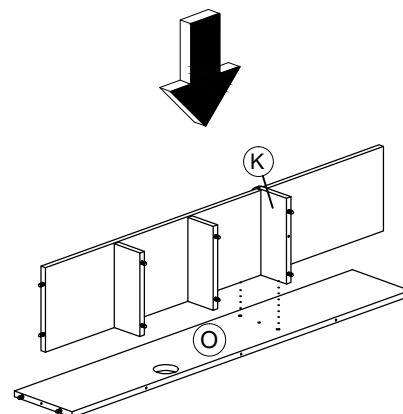
- Assemble the panel (M),(N) to the panel (K) as shown.

14



- Assemble the panel (L) to the panel (M) as shown.

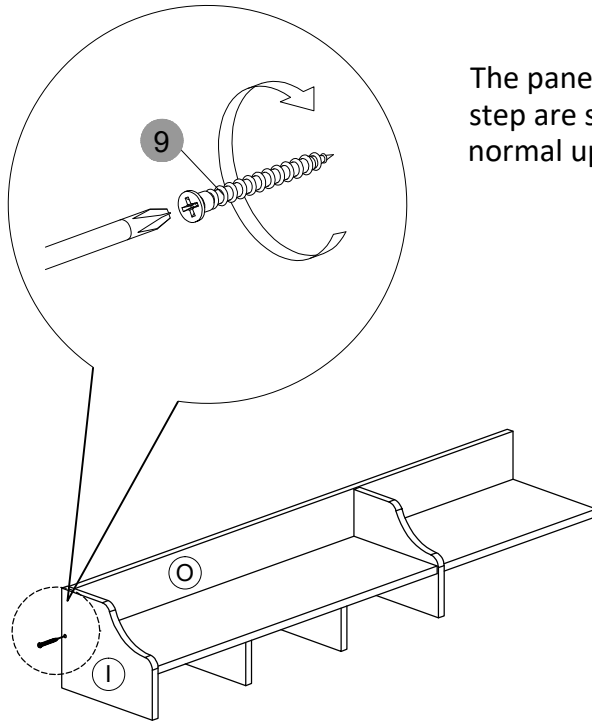
15



- Assemble the panel (O) to the panel (K) as shown.

16

9 x 1



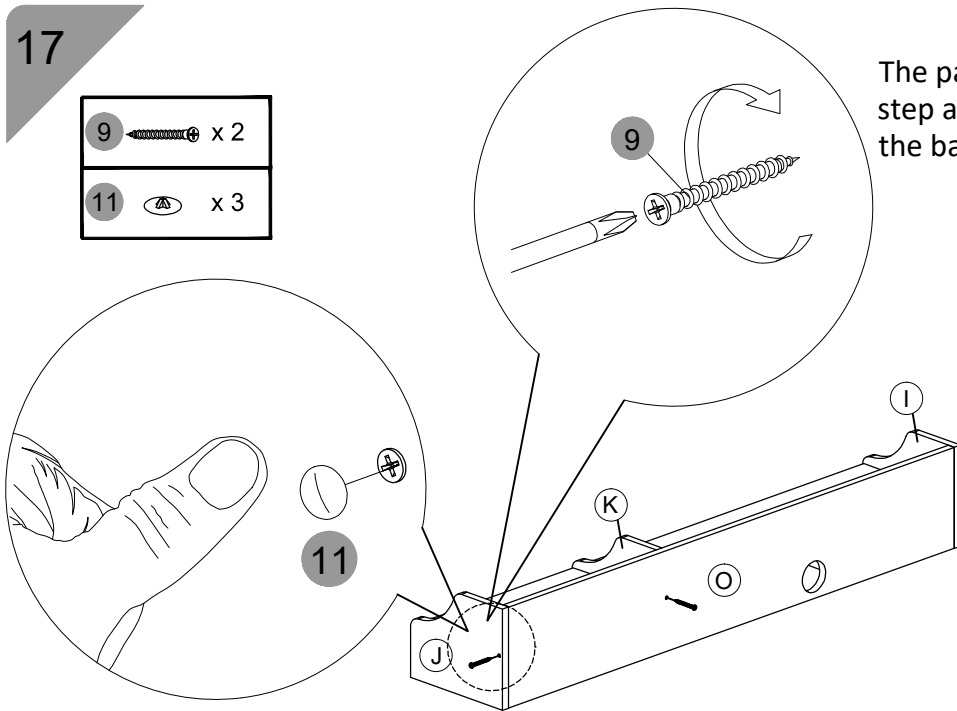
The panels from previous step are shown here in normal upright position

- Assemble the panel (I) to the panel (O) using screws (9) as shown.

17

9 x 2



11 x 3



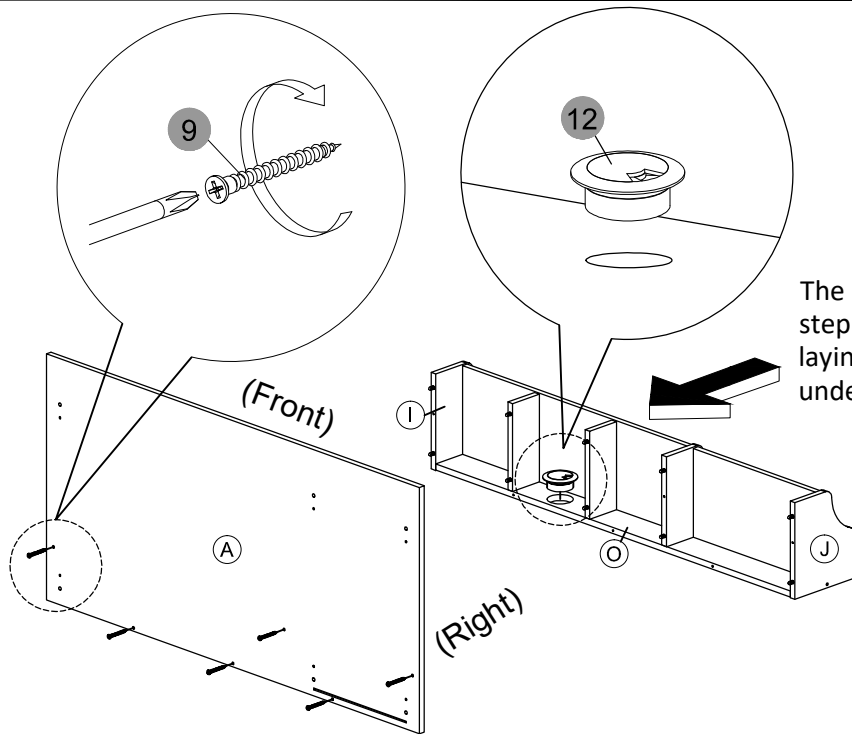
The panels from previous step are shown here from the back

- Using screws (9), assemble panel (J) to panel (O), and then panel (O) to panel (K) and attach the plastic caps (11) to panel (J), (O) and (I) as shown.

18

- |    |   |
|----|---|
| 9  |  x 6 |
| 12 |  x 1 |




Main panel (A) shown from the underside

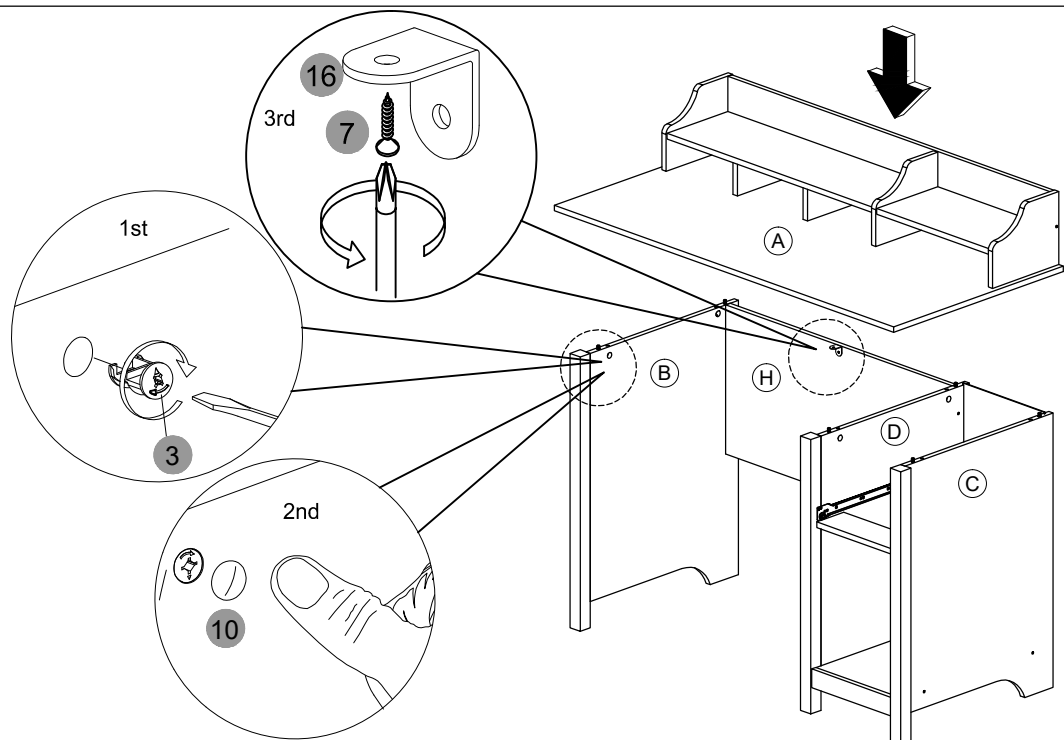


The panels from previous step are shown here laying down showing the underside

- First install the grommet (12) into the hole of panel (O) from the inside, then assemble the main panel (A) to panels (I), (J) and (O) using screws (9) as shown.

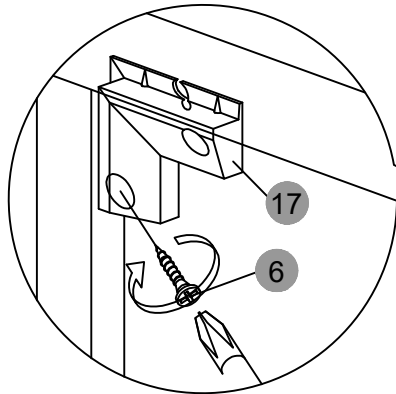
19

- |    |   |
|----|---|
| 3  |  x 6 |
| 7  |  x 1 |
| 10 |  x 2 |

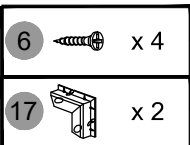
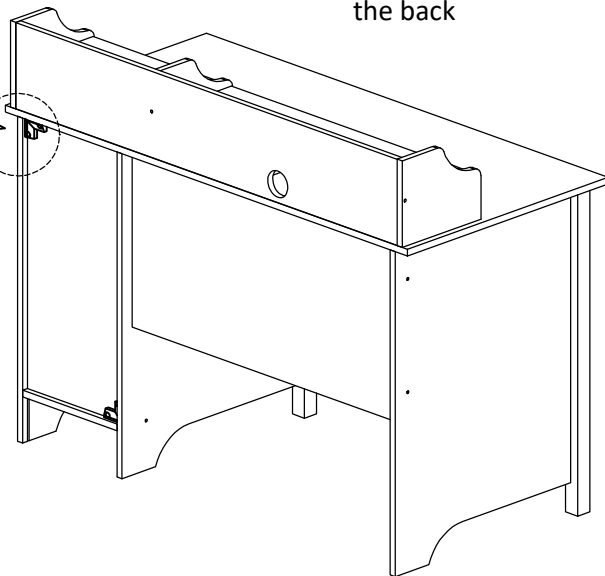


- First install and align the cam locks (3) into panels (B), (C), (D) and (H), and assemble the main panel (A) as shown and as explained in page 4. Then attach the caps (10) to the cam locks on panels (B). Finally, secure the L Bracket (16) to the underside of main panel (A) using screw (7) as shown.

20

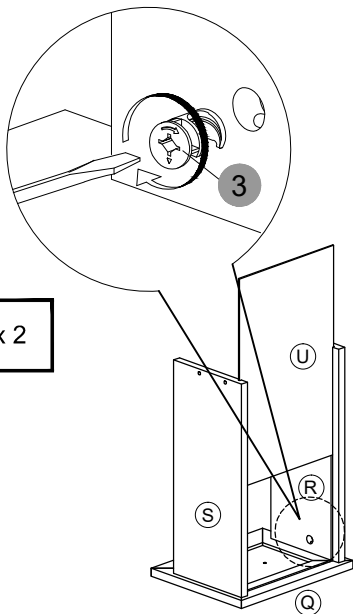


The unit is shown from the back



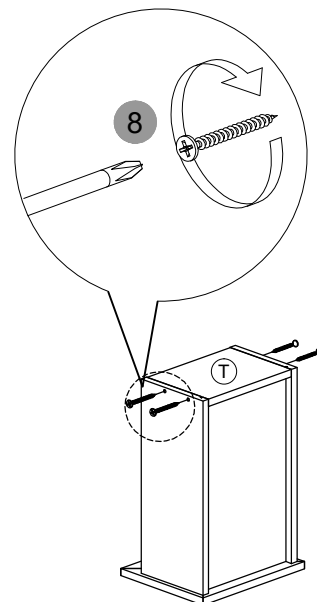
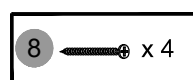
- On the back of the unit, install the corner Z brackets (17) to the top left corner and bottom right corner using screws (6) as shown.

21

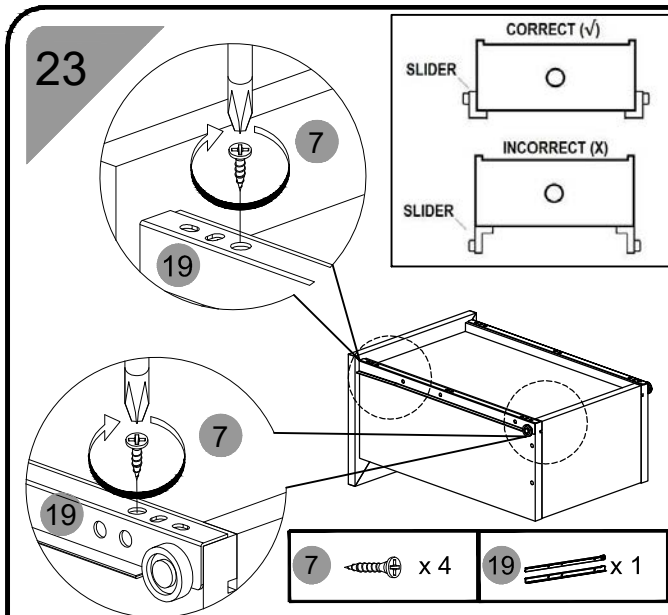


- Using cam locks (3), and as shown and explained in page 4, assemble drawer side panels (S) and (R) to the drawer front panel (Q). Then slide the bottom panel (U) thru the grooves on all panels as shown.

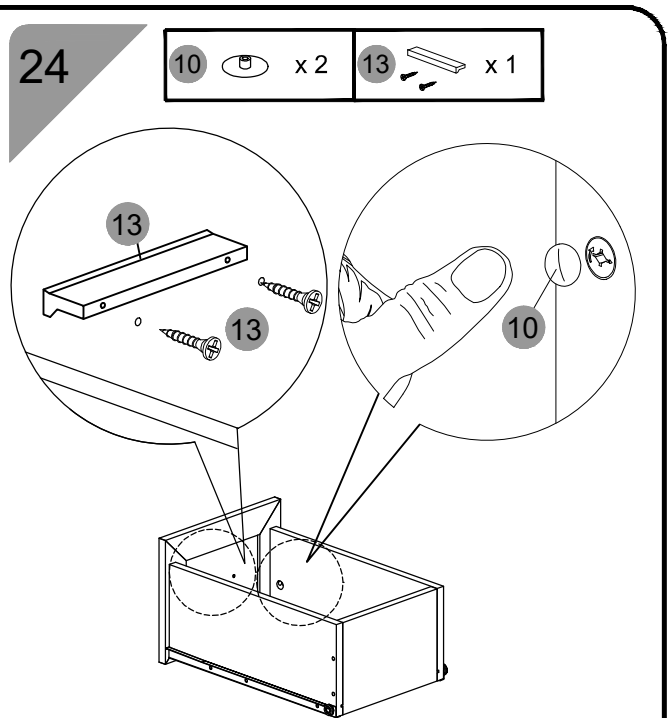
22



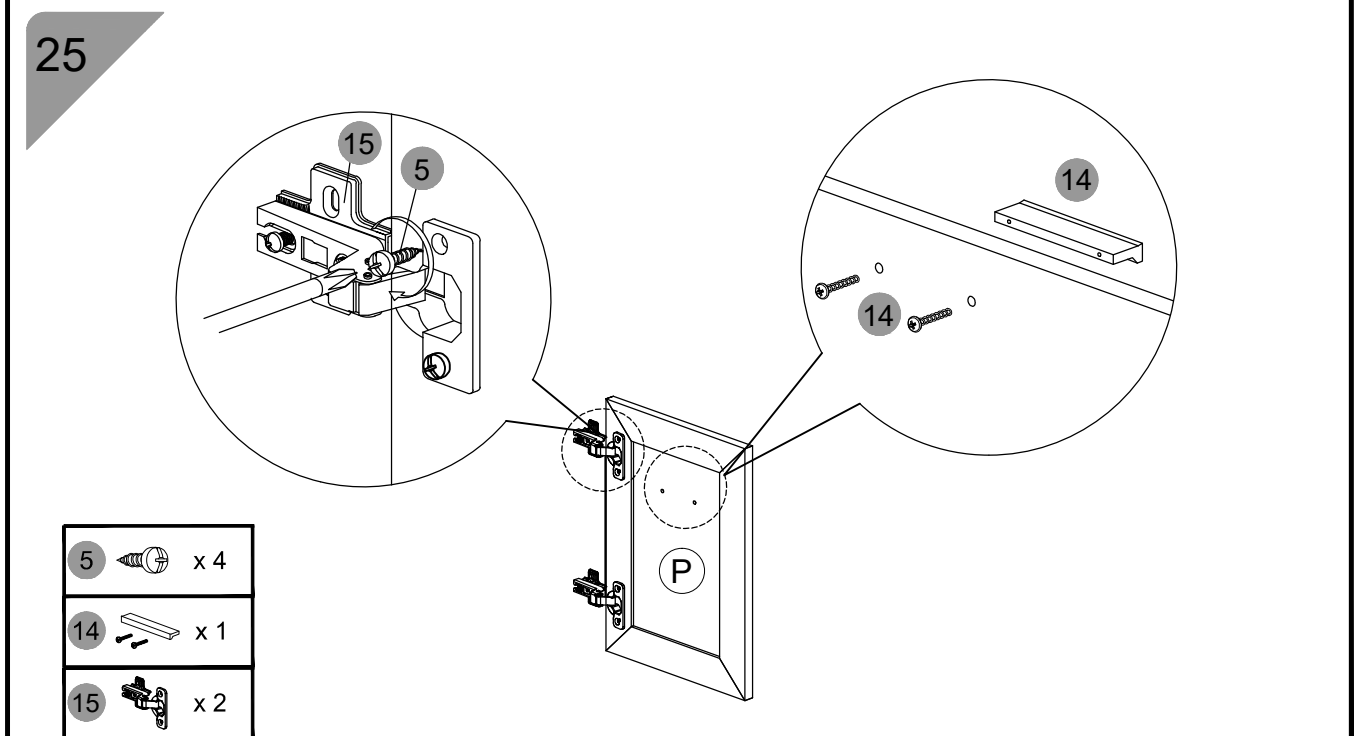
- Assemble the drawer back panel (T) to the drawer side panels using screws (8) as shown.



- Place the drawer upside-down and assemble the “L” shaped sliders to the bottom using screws (7) as shown. Please note that the wheels go towards the back of the drawer and the sliders should not protrude from the bottom, otherwise the drawers raise 3/4” and will not fit in the unit.


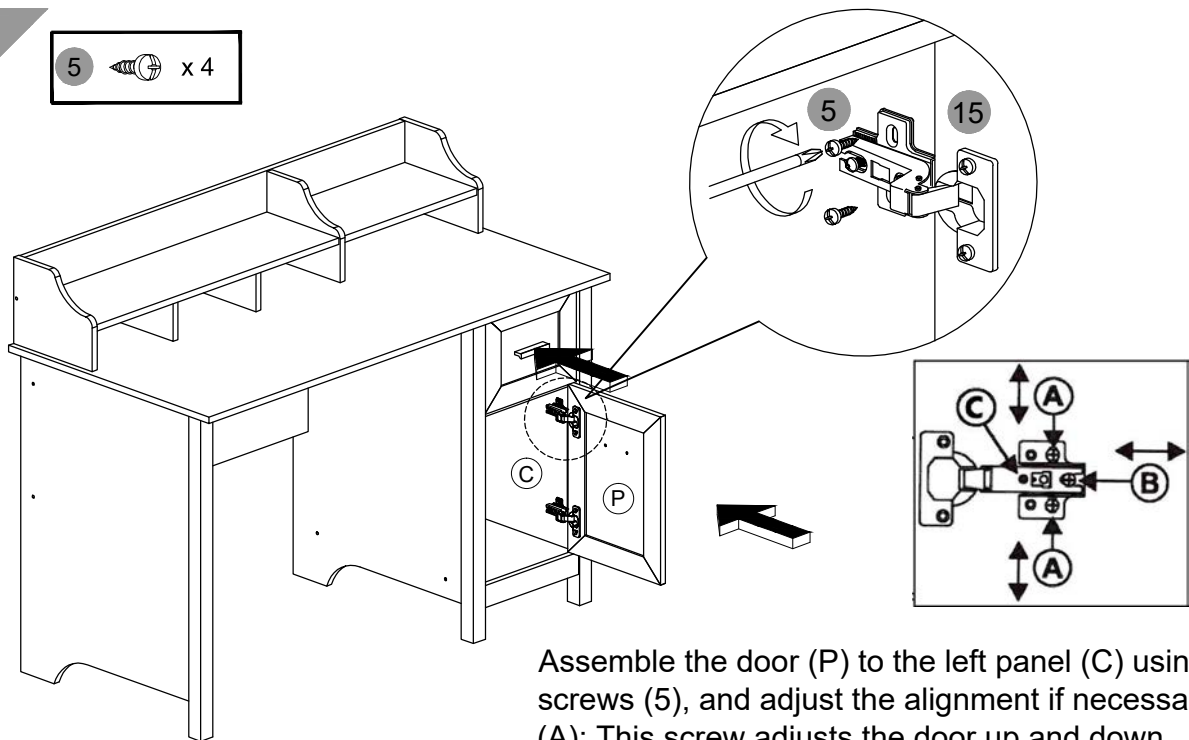


- First install the handle (13) to the drawer front panel (Q) using the own handle screws, then install the cam locks caps (10) as shown.



- First install the hinges (15) to the door (P) using screws (5), then install the handle (14) using its own screws. Make sure the handle is installed on the outside of the panel.

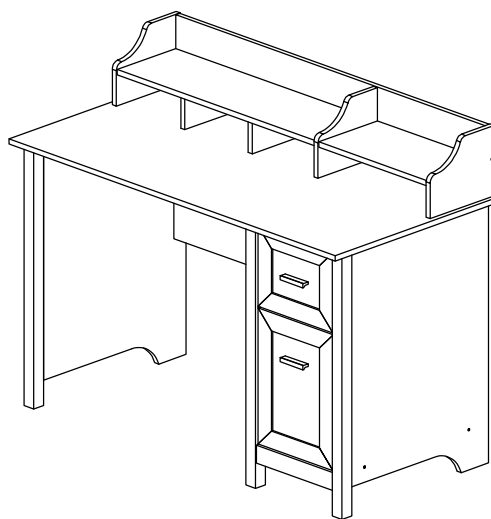
26

5  x 4

Assemble the door (P) to the left panel (C) using screws (5), and adjust the alignment if necessary:

- (A): This screw adjusts the door up and down.
- (B): This screw adjusts the door side to side.
- (C): This screw adjusts the door's depth.

**DONE!** Before you start using, please read all the warnings in the next page.

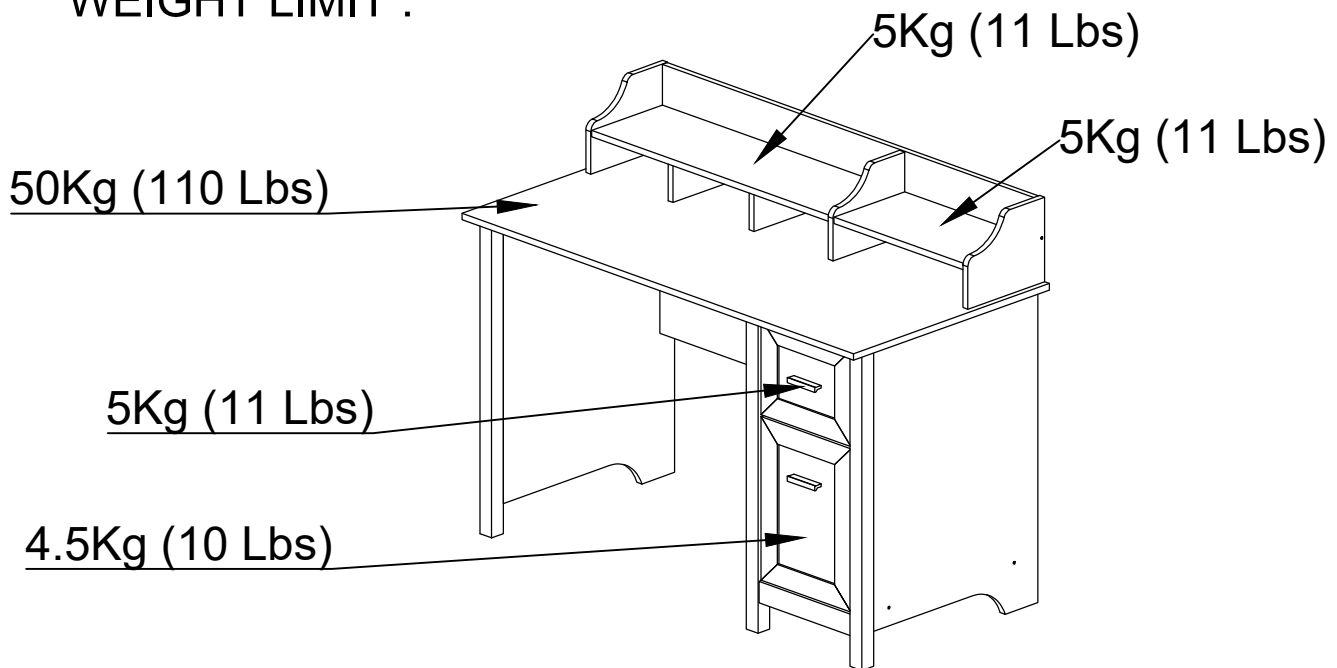


Enjoy your new unit!



**⚠ AFTER THE ASSEMBLY IS DONE, PLEASE READ THE FOLLOWING WARNINGS FOR CARE AND MAINTENANCE:**

### WEIGHT LIMIT :



Do not exceed the weight limits.

Do not expose the surfaces to direct sunlight or to extreme environmental conditions.

Clean the surfaces preferable with a soft cloth damped with a solution of mild soap and water, then dry with a clean towel.

If you decide to apply a cleaning agent, first test on a small area of the unit that is hidden from view, for example, under the table top.

Do not sit on the tabletop.

Do not allow small children to climb over the unit, play underneath, or reach inside the drawers and compartments without your supervision.

Before moving the unit within the same room or to an adjacent room:

- Remove all objects from the tabletop, drawers and shelves that are heavy or might fall off.
- The unit must be handled by at least 2 persons
- Use both of your hands and bend your knees, not your backs.

To transport the unit to a location far away from its current location, it is recommended to properly secure it to avoid breakage during transit.

The warranty does not extend to damages caused by accidents, own errors, incorrect assembly, negligence, improper use, modifications, or not heeding the above warnings.

The warranty is valid only within the continental United States. If you reside in Hawaii, Puerto Rico, U.S. Dependencies or other countries, please contact the supplier from where the unit was purchased.

Making any kind of modification to the unit voids the manufacturer's warranty.

For details on the warranty, please refer to the Warranty Document included with the product, or visit online:

[technimobili.com/pages/techni-mobili-desk-warranty](http://technimobili.com/pages/techni-mobili-desk-warranty)