



Everything Under The Sun!

FLOATING SOLAR FOUNTAIN - G3033

Features:

No electric outlet or battery needed. This product floats on the water and starts pumping water soon after bright sunlight shines directly on the solar cells. It is an energy-saving solar fountain suitable for garden decoration, bird bath, small pond, water circulation for oxygen. Installation is simple, easy to use, as long as there is direct sunlight on the solar cells without shadows, water pump will start working in a few seconds.

Product Specifications:

Solar Cell Power: 1.4W.

DC Brushless Pump Power: 0.8W.

Product Dimensions: Diameter 6.3in (160mm)

Product Performance:

Maximum Water Coverage: 32 in. (80cm) in Diameter

Maximum Water Height: 18 in. (45cm)

Maximum Flow Rate: 46 gallon / h (175L / h)

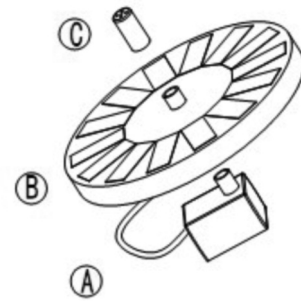
Product Lifespan: 10,000 hours.

The pump will start automatically in 3 seconds when bright sunlight shines on solar cells directly without any shade or shadow.

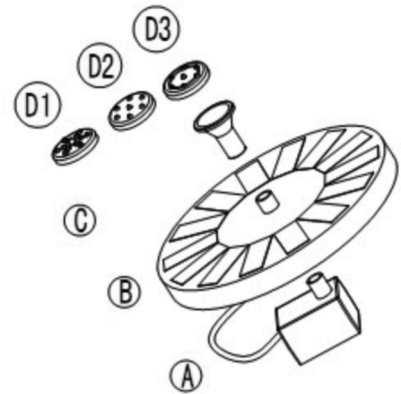
Note:

1. The pump of this product is driven directly by sunlight and there is no energy storage in the battery. The height of fountain water depends entirely on the strength of the sunlight. When the sunlight is weak, the pump will not work continuously, but will pump continuously when the sunlight reaches a certain high intensive brightness. Therefore, the product works best by placing it in an unobstructed sunlight area. Shade and shadows will affect and lower the pump performance.
2. Pump must be completely immersed in water. Dehydration on the pump will shorten the product lifespan.
3. Keep the water clean and clean the pump regularly. If it's dirty, it will stop the pump from working.
4. To clean the pump, gently first remove the grid cap and black round cap then pull the white spindle out, once you see debris on the caps, spindle and hole, rinse them with clean water.

SEE OVER FOR USEFUL TIPS



Easy assembly



Assembly for alternate heads





Everything Under The Sun!



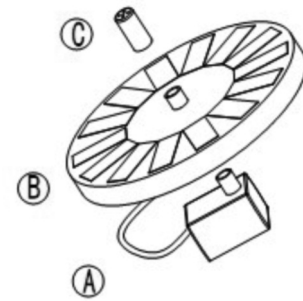
Birdbath not included



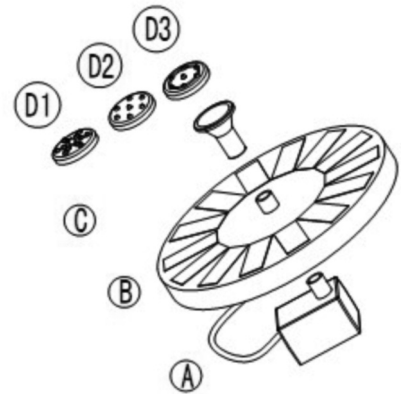
FLOATING SOLAR FOUNTAIN - G3033

Useful Tips:

1. Please just put the main unit in the water under direct sun light and it's ready to go.
2. If the water shoots up too high, you can remove the cap on the spout. If you have a much larger birdbath in diameter, then you can try other attachments for different water shapes. Be sure to remove the existing cap before putting other nozzles.
3. If your birdbath is deep and has a smooth bottom, you can use the big suction cup and string to stabilize the fountain. First tie one end of string around the pump and the other end to the suction cup. Be sure that the length between the pump and the suction cup is about 3" shorter than the height of the water. Press the suction cup securely on the bottom of the birdbath, so that the fountain is in the center.
4. If your birdbath has a rough bottom, you can use some pebbles to surround the pump to make it stable, so that it doesn't flow around too freely.
5. Of course, if you have any further question, you're always welcome to call us at 718-767-5165.



Easy assembly



Assembly for alternate heads

We wish you would enjoy our product and we hope you would like us on Facebook and follow us on Twitter. Thank you!

