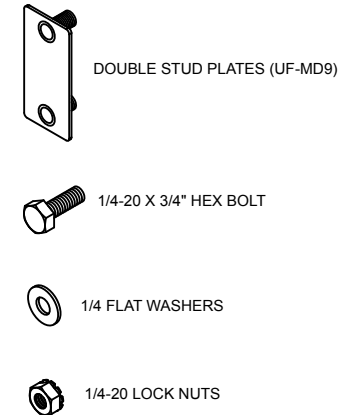


### HARDWARE PROVIDED



PARTS LIST		
PN	DESCRIPTION	QTY
UF-MD1	END PANEL OR SPACER	1
UF-CN1	HORIZONTAL CHANNEL, 26"	4
UF-CN2	90 DEG CORNER ANGLE	1
UF-MD9	DOUBLE STUD PLATE	8

All installations must be ventilated in compliance with applicable local, state, and federal codes  
 All adjustments to be based on appliance manufacturer's recommendations and all local building codes

**Uniframe Systems, LLC**

145 Bodwell Street | Avon, MA 02322  
 844.883.3330 | [www.uniframesystems.com](http://www.uniframesystems.com)