



User Manual

WPX3000e

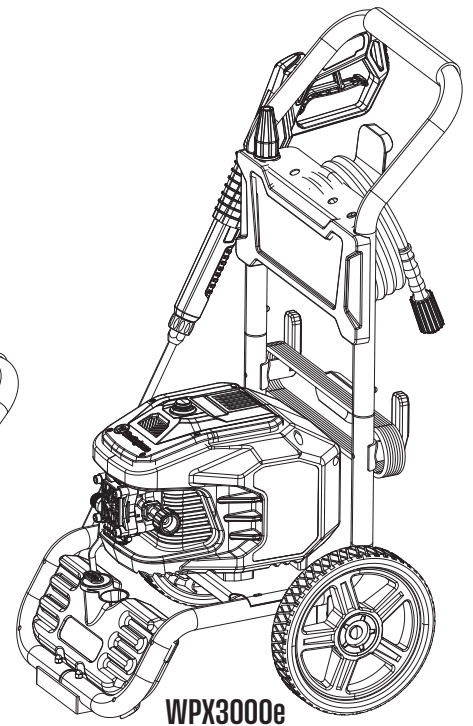
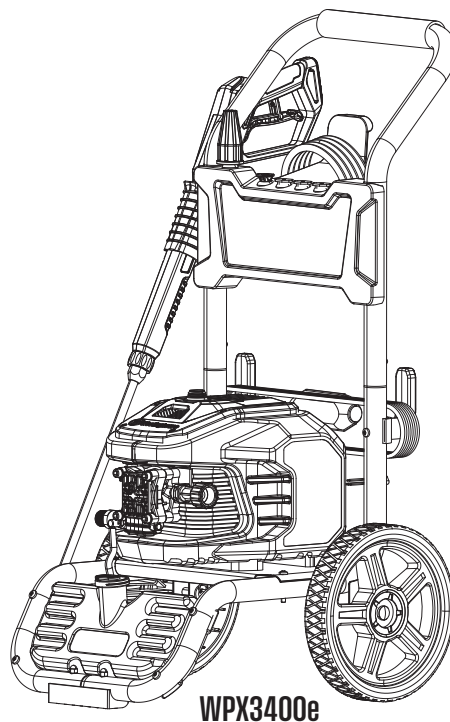
3000 PSI | 1.76 GPM

ELECTRIC PRESSURE WASHER

WPX3400e

3400 PSI | 2.0 GPM

ELECTRIC PRESSURE WASHER



DO NOT RETURN THIS PRODUCT TO THE STORE

If you have questions or need assistance, please call customer service at 855-944-3571.

TABLE OF CONTENTS

| | |
|--------------------------------------|-----------|
| Introduction..... | 2-3 |
| Safety | 4-7 |
| Electrical..... | 8 |
| Components | 9 |
| Assembly..... | 10-12 |
| Operation..... | 13-16 |
| Maintenance..... | 17-18 |
| Troubleshooting..... | 18 |
| Warranty..... | 19 |
| Service Hotline/Company Address..... | Back Page |

INTRODUCTION

⚠ WARNING This product and other substances that may become airborne from its use contain chemicals, including lead, known to the State of California to cause cancer, birth defects, or other reproductive harm. **Wash hands after handling.** For more information go to www.P65warnings.ca.gov.

DISCLAIMERS

All information, illustrations, and specifications in this manual were in effect at the time of publishing. The illustrations used in this manual are intended as representative reference views only. We reserve the right to make any specification or design change without notice.

ALL RIGHTS RESERVED

All rights reserved. No reproduction allowed in any form without written permission from Westinghouse Outdoor Power Equipment.

⚠ DANGER Read this manual before using or performing maintenance on this product. Failure to follow the instructions and safety precautions in this manual can result in serious injury or death.

UPDATES

The latest User Manual for your Westinghouse products can be found under our support tab. wpowereq.com/pages/manuals

Or scan the following QR code with your smartphone camera to be directed to the link.



PRODUCT REGISTRATION

For trouble-free warranty coverage, it is important to register your Westinghouse product.

You can register by:

- Completing and mailing the product registration card included in the carton.
- Registering your product on-line at: wpowereq.com/pages/warranty-registration
- Scanning the above QR code with your smartphone camera to be directed to the mobile registration link.



For Your Records

Date of Purchase: _____
Model Number: _____
Serial Number: _____
Place of Purchase: _____

- Sending the following product information to:
Westinghouse Outdoor Power

Warranty registration
777 Manor Park Drive
Columbus, OH 43228

IMPORTANT: Keep your purchase receipt for trouble-free warranty coverage.

INTRODUCTION

SPECIFICATIONS WPX3400e

Water Temperature Cold Water Only
Peak Pressure 3400 PSI
Rated Max Pressure 3000 PSI
Maximum Water Flow Rate 2.0 US GPM (7.57 LPM)

Rated Water Flow Rate 1.1 US GPM (4.16 LPM)
Phase Single
Input 120 V, AC only, 60 Hz, 14 Amps

SPECIFICATIONS WPX3000e

Water Temperature Cold Water Only
Peak Pressure 3000 PSI
Rated Max Pressure 2600 PSI
Maximum Water Flow Rate 1.76 US GPM (6.7 LPM)

Rated Water Flow Rate 1.1 US GPM (4.16 LPM)
Phase Single
Input 120 V, AC only, 60 Hz, 13 Amps

⚠ WARNING NEVER spray directly at a person, animal, electrical device, or the unit itself. Failure to heed this warning could result in serious injury, electric shock, or death.

NOTICE NEVER allow the pressure washer pump to run for more than one minute after you have turned off the water supply. This can cause the motor and pump to overheat and fail. ALWAYS unwind the garden hose completely and remove any objects that may be restricting or preventing the flow of water to the machine.

NOTICE Thank you for choosing Westinghouse! PLEASE READ BEFORE RETURNING THIS PRODUCT FOR ANY REASON.

If you have a question or experience a problem with your Westinghouse purchase, call us at 1-855-944-3571 to speak with an agent.

SAVE THIS MANUAL FOR FUTURE REFERENCE.

HAVE QUESTIONS?
Email us at service@wpowerreq.com
or call 1-855-944-3571

SAFETY

SAFETY DEFINITIONS

The words DANGER, WARNING, CAUTION, and NOTICE are used throughout this manual to highlight important information. Make sure that the meanings of this safety information is known to all who operate, perform maintenance on, or are near the pressure washer.



This safety alert symbol appears with most safety statements. It means attention, become alert, your safety is involved! Please read and abide by the message that follows the safety alerts symbol.

⚠ DANGER Indicates a hazardous situation which, if not avoided, will result in death or serious injury.

⚠ WARNING Indicates a hazardous situation which, if not avoided, could result in death or serious injury.

⚠ CAUTION Indicates a hazardous situation which, if not avoided, could result in minor or moderate injury.

NOTICE Indicates a situation which can cause damage to the pressure washer, personal property, and/or the environment, or cause the equipment to operate improperly.

NOTE: Indicates a procedure, practice or condition that should be followed for the pressure washer to function in the manner intended.


SAFETY SYMBOLS


Follow all safety information contained in this user's manual as well as the information on the product labeling.


| SYMBOL | DESCRIPTION |
|--------|--|
| | Safety Alert Symbol |
| | Risk of Injection. |
| | Double-insulated construction |
| | Electric Shock |
| | Risk of Explosion. Never spray flammable liquids. Flammable liquids and their vapors can be explosive. |
| | Do Not Operate in Wet Conditions |
| | Read Manufacturer's Instructions |
| | Kickback. |
| | Wear eye and ear protection |

SAFETY

IMPORTANT SAFETY INSTRUCTIONS

 **WARNING** To reduce the risk of injury, the user must read and understand the instructions before using this product.

 **WARNING** **Risk of liquid injection.** Never spray humans or animals, as injury could result. Engage trigger lock when the pressure washer is not in use.

 **WARNING** When using this product, basic precautions should always be followed, including the following:

- **WARNING** — Risk of injection or injury — Do not discharge stream at persons.
- **ALWAYS** take time to read all the instructions before using the product.
- It is recommended to carefully read understand all operating aspects of the pressure washer outlined in this manual

to avoid personal injury and/or damage to property and to maximize your pressure washing experience.

- Understand and know how to safely stop the product and bleed pressures quickly. Be fully familiar with all controls.
- Follow the maintenance instructions as specified in the manual.
- **DO NOT** use your pressure washer when you are under the influence of alcohol or drugs. Use this power tool carefully and only when you are alert.
- Keep operating area clear of all people, animals and hazardous objects.
- **DO NOT** overreach or stand on unstable support. Keep good footing and balance at all times.
- **The pressure washer is equipped with a Ground Fault Circuit Interrupter (GFCI) which greatly reduces the chance of electric shock while the unit is in use. If replacement of the plug or cord is needed, use only identical replacement parts.**

KEEP THESE INSTRUCTIONS FOR FUTURE REFERENCE.


GROUND FAULT CIRCUIT INTERRUPTER PROTECTION

This pressure washer has a ground-fault circuit-interrupter (GFCI) built into the plug of the power-supply cord. A GFCI provides additional protection from the risk of electric shock. If replacement of the plug or cord is necessary, use identical replacement parts that include GFCI protection.

SERVICING OF A DOUBLE-INSULATED APPLIANCE

In a double-insulated product, two systems of insulation are provided instead of grounding. Grounding means are not provided for a double insulated product, nor should grounding means be added to the product.

Servicing a double-insulated product requires extreme care and knowledge of the system, and should only be done by qualified service personnel.

A double-insulated product is marked with the words “**DOUBLE INSULATION**” or “**DOUBLE INSULATED**”. This symbol  may also be marked on the product.

SAFETY

- Failure to read and follow the instructions in user manual(s) could result in death, bodily injury, and/or property damage.
- When using the pressure washer near children, make sure they are closely supervised by an adult to avoid injury. **NEVER** let a child use the pressure washer.
- This pressure washer conforms to CSA and other safety and consumer standards. **DO NOT** modify or rebuild any part of your pressure washer.
- Watch your balance and footing while using your pressure washer. Surfaces become slippery when wet and are extra slippery when using a detergent or cleaner.
- **NEVER** operate the pressure washer in bare feet, sandals, or open-toed shoes.
- **DO NOT** touch the high pressure spray with your fingers, hands, feet and be careful to avoid any contact with your eyes as the powerful spray can cause blindness or blast holes in the skin.
- **ALWAYS** wear eye protection to prevent injury to eyes when operating the pressure washer.
- To avoid accidents causing injury, **ALWAYS** use the trigger safety lock when the pressure washer is not in use even if the spraying stops for a moment.
- Point the trigger handle in a safe direction when beginning to use your pressure washer.
- **NEVER** spray directly at a person, animal, electrical device, or the unit itself. The pressure washer can break glass if hit with direct contact.
- Hold the trigger handle and lance with two hands (one hand to pull the trigger and the other to stabilize the trigger handle) until you get used to the “recoil”.
- When you stop the pressure washer, water pressure may remain in the system. To release the pressure, point the trigger handle in a safe direction and pull the trigger.
- **NEVER** spray flammable liquids.
- **NEVER** use the pressure washer in areas that contain combustible dust, liquids or vapors.
- Examine the hose regularly. Replace if damaged. Due to the high pressure involved, it cannot be repaired if cut or damaged.
- Only use detergent specifically formulated for pressure washers and follow instructions on the detergent’s label.
- Detergent can be harmful to your skin, eyes and lungs. Please be cautious when handling any chemicals. Dish and laundry soap is too thick and will clog the nozzle of your detergent bottle.

NOTICE

Store the pressure washer indoors in a heated environment to prevent the water in the unit from freezing and expanding. When the water freezes and expands, the high-pressure pump will crack and render the pressure washer inoperable. It is recommended you use pump saver (not included) to protect pumps from freezing and cracking.

- **NEVER** use hot water with your pressure washer. It will overheat and damage the seals and components in the high-pressure pump that cannot be repaired.
- **NEVER** leave the pressure washer “ON” while it is unattended.
- **ALWAYS** turn the water supply “ON” before turning the pressure washer power to “ON”. Running the pump dry of water will cause damage to the internal components and render the pressure washer inoperable.
- **NEVER** use a water supply to your pressure washer that exceeds 150 PSI maximum.
- **NEVER** disconnect the high pressure hose from the pressure washer while the system is pressurized.
- **NEVER** permanently engage the trigger mechanisms on the trigger handle.
- **NEVER** operate the pressure washer unless all components are properly and securely connected.
- **NEVER** allow the pressure washer pump to run for more than one minute after you have turned off the water supply. This can cause the motor and pump to overheat and fail.
- **NEVER** use an extension power cord.
- **NEVER** use an extension power cord. It increases the risk of electric shock to the operator and the decrease in voltage can cause permanent damage to the unit’s motor.
- **NEVER** use lances or other parts that are not compatible for this specific Westinghouse unit.
- **NEVER** spray any electrical outlet with your pressure washer.
- Inspect the power cord before using. **DO NOT** use it if it is damaged.
- Keep all connections dry and off the ground. **DO NOT** touch the plug with wet hands.

SAFETY

SAFETY LABELS AND DECALS

The following information is on your pressure washer's labels and decals.

① Specifications

(See page 3)

② Safety Symbols

(See page 4)

③ Risk of Electrocutation

- Inspect cord before using. Do not use if cord is damaged.
- Keep all connections dry and off the ground.
- Do not touch the plug with wet hands.
- This product is provided with a ground fault circuit interrupter built into the power cord plug. If replacement of the plug or cord is needed, use only identical replacement parts.
- Read instruction manual before using.

Westinghouse Westinghouse Outdoor Power Equipment
Columbus Ohio 43228 USA
Made in Vietnam

Model La Maqueta | Modèle WPX3400e

Max Pressure Presión Pico | Pression Dr Crête 3400PSI (3400 LB/PO²)

Max Rated Pressure Presión Máxima Nominal | Pression Nominale Maximale 3000PSI (3000 LB/PO²)

Max Water Flow Rate Tasa Máxima de Flujo de Agua | Débit D'eau Maximum 2.0 US GPM (7.57 LPM)

Rated Water Flow Rate Tasa de Flujo de Agua | Débit D'eau Nominal 1.1 US GPM (4.16 LPM)

Rating Clasificación | Évaluation 120V 1PH/Monophasé, AC 60Hz 14A

Serial number

WARNING - DO NOT SPRAY ELECTRICAL APPARATUS AND WIRING. Use cold water only. Store indoors. For either indoor or outdoor use. AVERTISSEMENT - NE PAS PULVÉRISER DES APPAREILS ET CÂBLAGES ÉLECTRIQUES. Utilisez uniquement de l'eau froide. Conserver à l'intérieur. Pour une utilisation intérieure ou extérieure.

WARNING: Cancer and reproductive harm - www.P65Warnings.ca.gov/product
AVERTISSEMENT: Cancer et problèmes de reproduction - www.P65Warnings.ca.gov/product
ADVERTENCIA: Cáncer y daños al sistema reproductor - www.P65Warnings.ca.gov/product

CAUTION To reduce the risk of injury, read owners manual carefully before using. MISE EN GARDE Pour réduire le risque de blessure, lisez attentivement le manuel du propriétaire avant de l'utiliser.

CAUTION Gun Kicks Back - Hold with both hands. Risk of eye injury. Always use caution. Wear safety goggles with side shields. MISE EN GARDE Le pistolet recule - Tenez avec les deux mains. Risque de blessure aux yeux. Soyez toujours prudent, portez des lunettes de sécurité avec écrans latéraux.

WARNING Risk of Injection or injury to persons - Do not direct discharge stream at persons. AVERTISSEMENT Risque d'injection ou de blessures aux personnes - Ne dirigez pas le jet de décharge vers des personnes.

DANGER RISK OF ELECTROCUTION. DANGER RISQUE D'ÉLECTROCUTION.

WARNING Risk of Explosion - Do not spray flammable liquids. AVERTISSEMENT Risque d'explosion - Ne vaporisez pas de liquides inflammables.

Inspect Cord Before Using - Do not use if cord is damaged. Inspectez le cordon avant utilisation - Ne pas utiliser si le cordon est endommagé. Maintenez toutes les connexions au sec et hors du sol.

Keep all connections dry and off the ground. Ne touchez pas la prise avec les mains mouillées.

Do not touch plug with wet hands. Double isolation - Lors de l'entretien, n'utilisez que des pièces de rechange identiques.

Double Insulated - When servicing use only identical replacement parts. Ce produit est fourni avec un disjoncteur de fuite à la terre (GFCI) intégré dans la fiche du cordon d'alimentation. Si le remplacement de la fiche ou du cordon est nécessaire, n'utilisez que des pièces de rechange identiques.

This product is provided with a ground fault circuit interrupter (GFCI) built into the power cord plug. If replacement of the plug or cord is needed, use only identical replacement parts.

BEFORE SERVICING, CLEANING OR REMOVING PARTS, SHUT OFF THE POWER AND RELIEVE THE PRESSURE. AVANT D'ENTREtenir, DE METTOver OU DE RETIRER DES Pièces, COUPEZ L'ALIMENTATION ÉLECTRIQUE ET RELACHEZ LA PRESSION.

③

⚠ WARNING:

RISK OF ELECTROCUTION

1. INSPECT CORD BEFORE USING. DO NOT USE IF CORD IS DAMAGED.
2. KEEP ALL CONNECTIONS DRY AND OFF THE GROUND.
3. DO NOT TOUCH THE PLUG WITH WET HANDS.
4. DOUBLE INSULATED - WHEN SERVICING USE ONLY IDENTICAL REPLACEMENT PARTS.
5. THIS PRODUCT IS PROVIDED WITH A GROUND FAULT CIRCUIT INTERRUPTER BUILT INTO THE POWER CORD PLUG. IF REPLACEMENT OF THE PLUG OR CORD IS NEEDED, USE ONLY IDENTICAL REPLACEMENT PARTS.
6. READ INSTRUCTION MANUAL BEFORE USING.

⚠ AVERTISSEMENT

RISQUE D'ÉLECTROCUTION

1. INSPECTEZ LE CORDON AVANT DE L'UTILISER. NE PAS UTILISER SI LE CORDON EST ENDOMMAGÉ.
2. GARDEZ TOUTES LES BRANCHEMENTS SECS ET NON AU SOL.
3. NE PAS TOUCHER LA FICHE AVEC LES MAINS MOUILLÉES.
4. À ISOLATION DOUBLE - LORSQUE VOUS EFFECTUEZ DES RÉPARATIONS, UTILISEZ SEULEMENT DES PIÈCES DE REMPLACEMENT IDENTIQUES.

DO NOT REMOVE THIS TAG
NE PAS RETIRER LA PRÉSENTE ÉTIQUETTE.
NO QUITE ESTA ETIQUETA.

⚠ AVERTISSEMENT

5. CE PRODUIT EST OFFERT AVEC UN DISJONCTEUR DE FUITE À LA TERRE INTÉGRÉ DANS LA FICHE DU CORDON. SI LE REMPLACEMENT DE LA FICHE OU DU CORDON EST NÉCESSAIRE, UTILISEZ SEULEMENT DES PIÈCES DE REMPLACEMENT IDENTIQUES.
6. LISEZ LE GUIDE D'UTILISATION AVANT D'UTILISER.

⚠ ADVERTENCIA:

- #### RIESGO DE ELECTROCUCIÓN
1. REVISE EL CABLE ANTES DE USAR. NO LO USE SI EL CABLE ESTÁ DAÑADO.
 2. MANTENGA TODAS LAS CONEXIONES SECAS Y FUERA DEL SUELO.
 3. NO TOQUE EL ENCHUFE CON LAS MANOS HÚMEDAS.
 4. DOBLE AISLAMIENTO: CUANDO DÉ SERVICIO SÓLO USE PARTES DE REEMPLAZO IDENTICAS.
 5. ESTE PRODUCTO SE PROPORCIONA CON UN INTERRUPTOR DE CIRCUITO DE FALLA A TIERRA INTEGRADO EN EL ENCHUFE DEL CABLE DE ENERGÍA. SI SE NECESITA REEMPLAZAR EL ENCHUFE O EL CABLE, UTILICE SOLO PARTES DE REEMPLAZO IDENTICAS.
 6. LEA EL MANUAL DE INSTRUCCIONES ANTES DE USAR.

DO NOT REMOVE THIS TAG
NE PAS RETIRER LA PRÉSENTE ÉTIQUETTE.
NO QUITE ESTA ETIQUETA.

Westinghouse Westinghouse Outdoor Power Equipment
Columbus Ohio 43228 USA

Model La Maqueta | Modèle WPX3000e

Max Pressure Presión Pico | Pression Dr Crête 3000PSI (3000 LB/PO²)

Max Rated Pressure Presión Máxima Nominal | Pression Nominale Maximale 2600PSI (2600 LB/PO²)

Max Water Flow Rate Tasa Máxima de Flujo de Agua | Débit D'eau Maximum 1.76 US GPM (6.66 LPM)

Rated Water Flow Rate Tasa de Flujo de Agua | Débit D'eau Nominal 1.1 US GPM (4.16 LPM)

Rating Clasificación | Évaluation 120V 1PH/Monophasé, AC 60Hz 13A

Serial number

WARNING - DO NOT SPRAY ELECTRICAL APPARATUS AND WIRING. Use cold water only. Store indoors. For either indoor or outdoor use. AVERTISSEMENT - NE PAS PULVÉRISER DES APPAREILS ET CÂBLAGES ÉLECTRIQUES. Utilisez uniquement de l'eau froide. Conserver à l'intérieur. Pour une utilisation intérieure ou extérieure.

WARNING: Cancer and reproductive harm - www.P65Warnings.ca.gov/product
AVERTISSEMENT: Cancer et problèmes de reproduction - www.P65Warnings.ca.gov/product
ADVERTENCIA: Cáncer y daños al sistema reproductor - www.P65Warnings.ca.gov/product

CAUTION To reduce the risk of injury, read owners manual carefully before using. MISE EN GARDE Pour réduire le risque de blessure, lisez attentivement le manuel du propriétaire avant de l'utiliser.

CAUTION Gun Kicks Back - Hold with both hands. Risk of eye injury. Always use caution. Wear safety goggles with side shields. MISE EN GARDE Le pistolet recule - Tenez avec les deux mains. Risque de blessure aux yeux. Soyez toujours prudent, portez des lunettes de sécurité avec écrans latéraux.

WARNING Risk of Injection or injury to persons - Do not direct discharge stream at persons. AVERTISSEMENT Risque d'injection ou de blessures aux personnes - Ne dirigez pas le jet de décharge vers des personnes.

DANGER RISK OF ELECTROCUTION. DANGER RISQUE D'ÉLECTROCUTION.

WARNING Risk of Explosion - Do not spray flammable liquids. AVERTISSEMENT Risque d'explosion - Ne vaporisez pas de liquides inflammables.

Inspect Cord Before Using - Do not use if cord is damaged. Inspectez le cordon avant utilisation - Ne pas utiliser si le cordon est endommagé. Maintenez toutes les connexions au sec et hors du sol.

Keep all connections dry and off the ground. Ne touchez pas la prise avec les mains mouillées.

Do not touch plug with wet hands. Double isolation - Lors de l'entretien, n'utilisez que des pièces de rechange identiques.

Double Insulated - When servicing use only identical replacement parts. Ce produit est fourni avec un disjoncteur de fuite à la terre (GFCI) intégré dans la fiche du cordon d'alimentation. Si le remplacement de la fiche ou du cordon est nécessaire, n'utilisez que des pièces de rechange identiques.

This product is provided with a ground fault circuit interrupter (GFCI) built into the power cord plug. If replacement of the plug or cord is needed, use only identical replacement parts.

BEFORE SERVICING, CLEANING OR REMOVING PARTS, SHUT OFF THE POWER AND RELIEVE THE PRESSURE. AVANT D'ENTREtenir, DE METTOver OU DE RETIRER DES Pièces, COUPEZ L'ALIMENTATION ÉLECTRIQUE ET RELACHEZ LA PRESSION.

ELECTRICAL

DOUBLE INSULATION

Double insulation eliminates the need for a three-wire grounded power cord. Double insulated products do not need to be grounded because exposed metal parts are covered in protective insulation that isolates them from internal metal motor components.

⚠ WARNING A double insulated system is designed to protect against shock caused by a break in the product's internal insulation. To avoid electric shock, follow all ordinary safety procedures.

NOTE: Double insulated products should only be serviced by qualified service technicians. For more information, contact Westinghouse customer service toll-free at 1-855-944-3571.

AC MOTOR

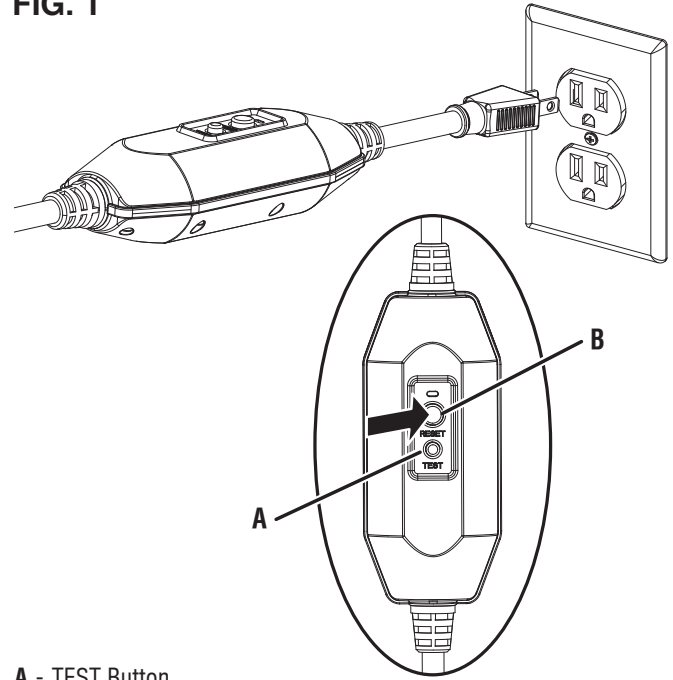
The electric motor in this product was designed to work with **a nominal 120V/60Hz AC power supply (average U.S. household circuit)**. It is not intended to operate on direct current (DC). A significant voltage drop will result in a loss of power and could damage the motor.

GROUND FAULT CIRCUIT INTERRUPTER PROTECTION

See Figure 1.

This pressure washer has a ground-fault circuit-interrupter (GFCI) built into the plug of the power-supply cord. A GFCI protects against ground fault currents such as a current that would flow through a person standing on a wet surface while holding a product with faulty insulation. GFCI plugs do not protect against shocks, short circuits, and overloads. If replacement of the plug or cord is necessary, use identical replacement parts that include GFCI protection.

FIG. 1



A - TEST Button
B - RESET Button

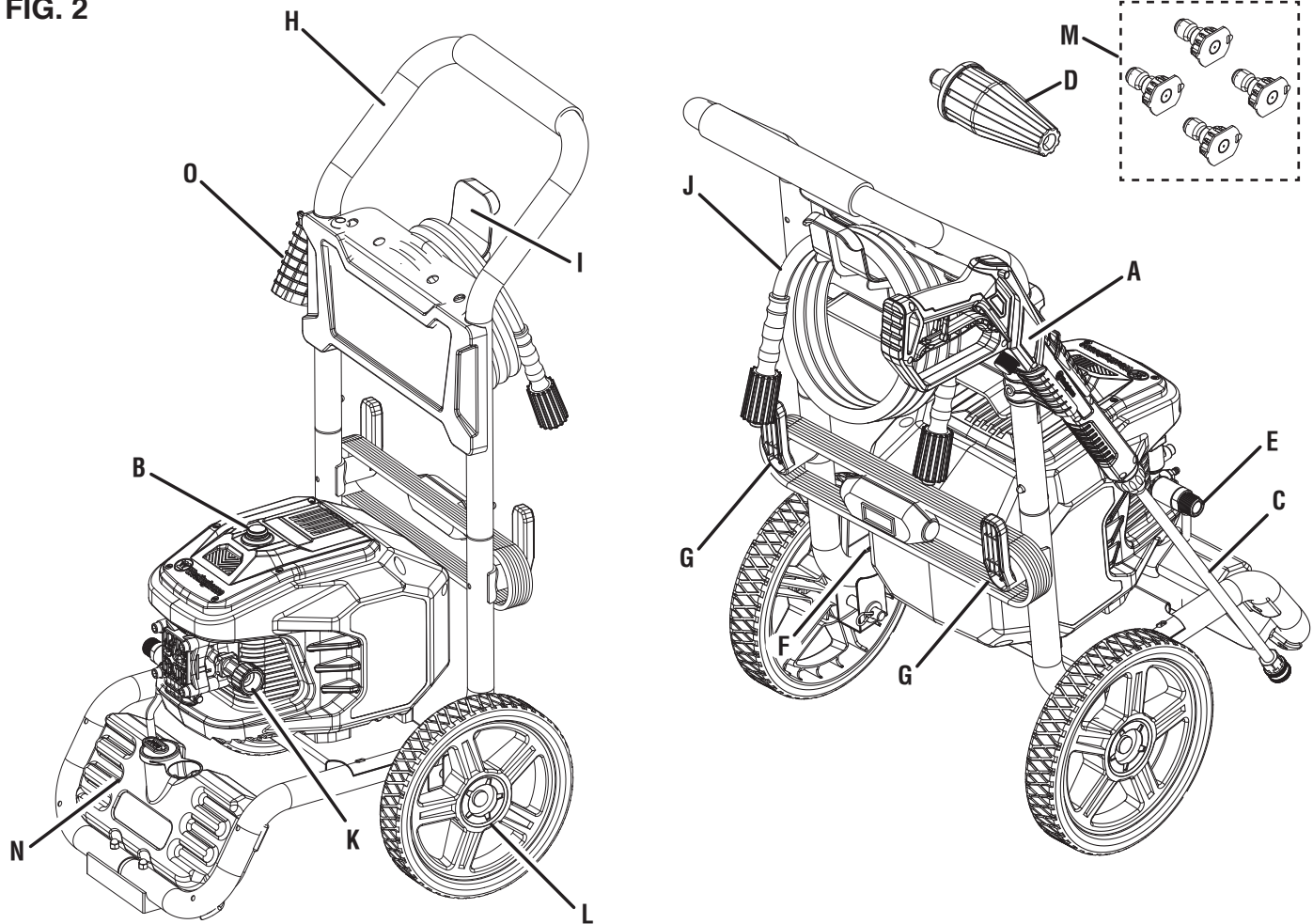
To test the GFCI:

- Plug the power supply cord into a receptacle.
- Press the TEST button and listen for a “click” indicating that the connection to the power supply was broken.
- Press the RESET button to restore power to the device. The LED light will turn on when power is restored.

Test the GFCI monthly to ensure proper operation.

COMPONENTS

FIG. 2



- A - Trigger handle
- B - On/Off switch
- C - Lance
- D - Turbo nozzle
- E - Threaded outlet

- F - Power cord
- G - Cord retainer
- H - Handle
- I - Hose retainer
- J - High pressure hose

- K - Water inlet
- L - Wheel
- M - Nozzles
- N - Soap tank
- O - Trigger handle holster

UNDERSTANDING YOUR PRESSURE WASHER

See Figure 2.

To reduce the risk of injury and product failure, read and understand the information in this user's manual as well as the information on the product labeling.

CORD RETAINER

When not in use, wrap the power cord and hang it on the side of the pressure washer.

HANDLE

Use the handle when transporting the unit.

HIGH PRESSURE HOSE

The high pressure hose included with this unit is light weight, flexible, and durable. When not in use, the hose can be stored on the hose retainer.

NOZZLES

Nozzles of varying sizes are included with this unit and can be used for different cleaning applications.

ON/OFF SWITCH

Use the on/off switch to start and stop the pressure washer.

SOAP TANK

Use the soap tank to add detergent.

TRIGGER HANDLE

Use the trigger handle and lance to control and direct the stream of water.

TURBO NOZZLE

The turbo nozzle delivers a powerful rotating 0° spray pattern that cleans large areas faster than standard nozzles.

ASSEMBLY

⚠ WARNING Do not connect the pressure washer to a power supply until it is fully assembled. To avoid accidental starting and possible serious injury, only connect a power supply when the pressure washer is ready for use.

REMOVING CARTON CONTENTS

⚠ WARNING This product requires assembly. Do not attempt to operate this product if any items in the **INCLUDED LIST** are already assembled when you remove the carton contents. These items are not assembled by the manufacturer and should require customer assembly. Using an improperly assembled product can be hazardous and could result in serious personal injury.

- Carefully cut down the sides of the packaging and remove the carton contents.
- Inspect the carton contents. Verify that all the items in the **INCLUDED LIST** are present and undamaged.
- Recycle or dispose of the packaging materials properly.

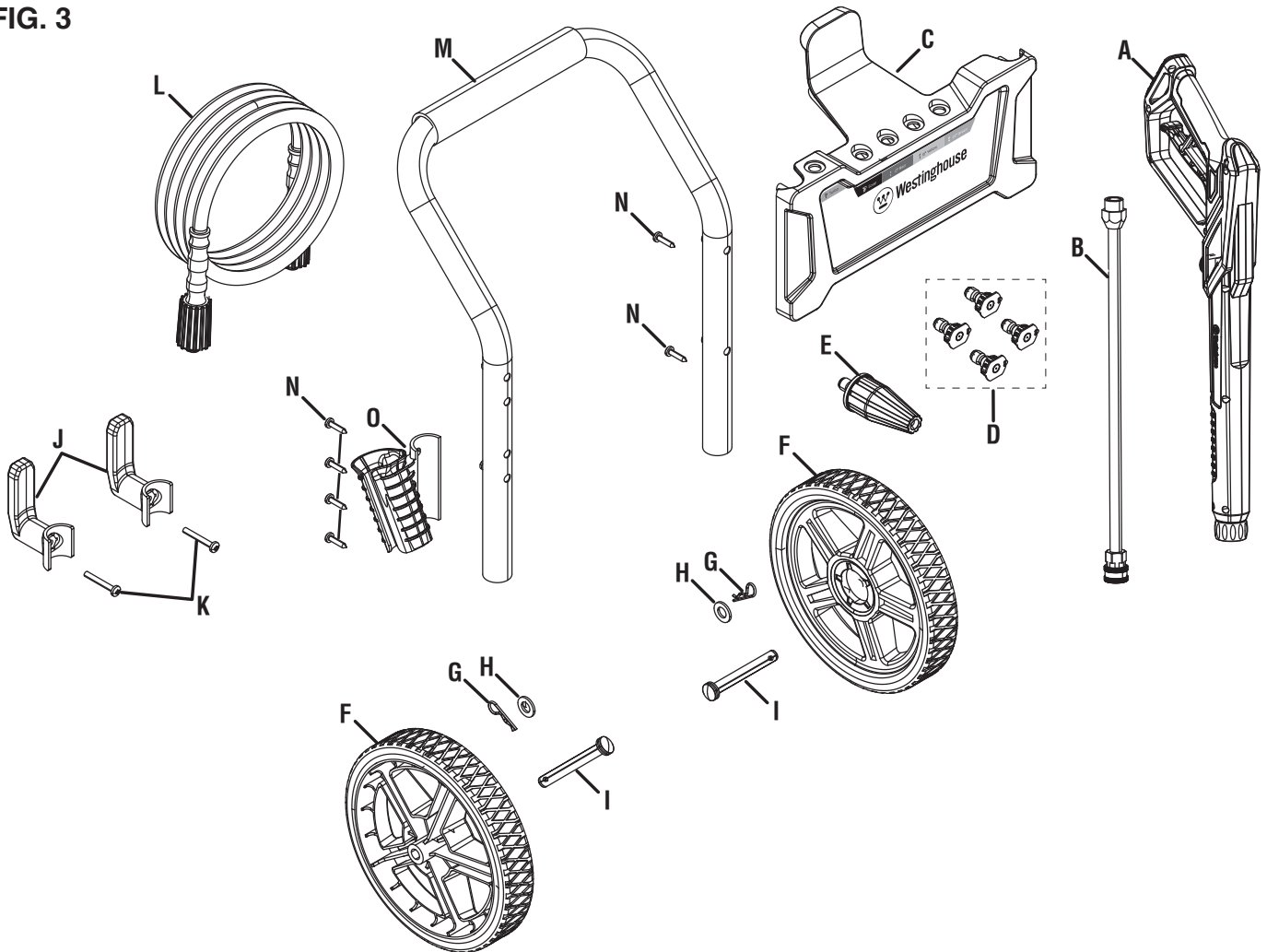
INCLUDED LIST

See Figure 3.

Pressure Washer, Trigger handle, Lance, Front Panel, Nozzles (0°, 15°, 25°, and soap), Turbo Nozzle, Wheels, Hitch Pins, Washers, Axles, Cord Retainers, Bolts, High Pressure Hose, Handle, Trigger handle Holster, Screws, Quick Start Guide, User Manual

If any parts are missing, contact our service team at service@wpowerq.com or call 1-855-944-3571.

FIG. 3



A - Trigger handle
B - Lance
C - Hose retainer
D - Nozzles
E - Turbo nozzle

F - Wheel
G - Hitch pin
H - Washer
I - Axle
J - Cord retainer

K - Bolt
L - High pressure hose
M - Handle
N - Screw
O - Trigger handle holster

ASSEMBLY

INSTALLING THE WHEELS

See Figure 4.

- Place the pressure washer on a flat surface.
- Lift the rear of the pressure washer high enough to gain access to the bottom of the frame.
- Place props beneath the pressure washer to serve as a temporary support.
- Locate the axles, wheels, washers, and hitch pins.
- Insert an axle through the middle of a wheel, washer, and the frame as shown.
- Push a hitch pin into the axle until the center of the pin rests against the top of the axle.
- Repeat these steps to install second wheel.

ATTACHING THE CORD RETAINER

See Figure 5.

- Align the holes in the cord retainer with the holes in the frame.
- **NOTE:** Install the cord retainer facing up as shown.
- Insert a bolt through the frame and the cord retainer. Tighten to secure.

INSTALLING THE HANDLE

See Figure 6.



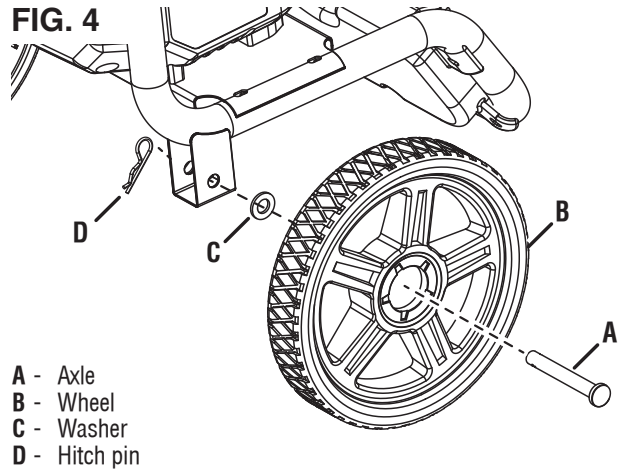
CAUTION

When attaching the handle to the frame, use caution to avoid pinching your fingers or hands.

- Slide the handle onto the frame until it contacts the buttons.
- Depress the buttons and continue sliding the handle down into place.
- Pull the handle up until the buttons snap into the holes in the handle.

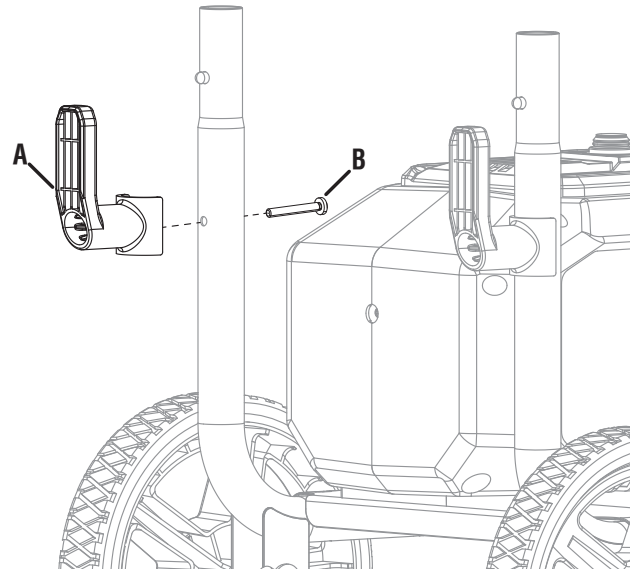
NOTE: Make sure the handle is secure before operation.

FIG. 4



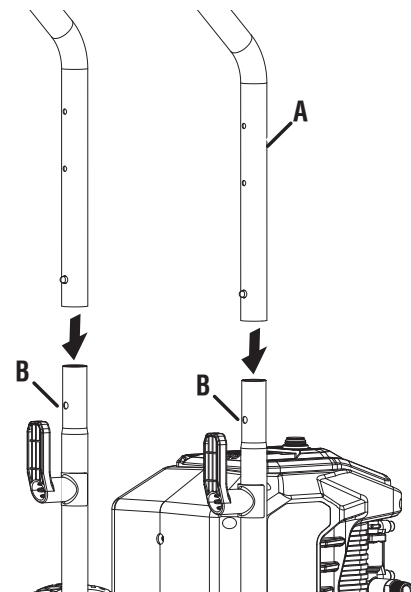
- A - Axle
- B - Wheel
- C - Washer
- D - Hitch pin

FIG. 5



- A - Cord retainer
- B - Bolt

FIG. 6



- A - Handle
- B - Button

ASSEMBLY

ATTACHING THE HOSE RETAINER AND TRIGGER HANDLE HOLSTER

See Figures 7 - 8.

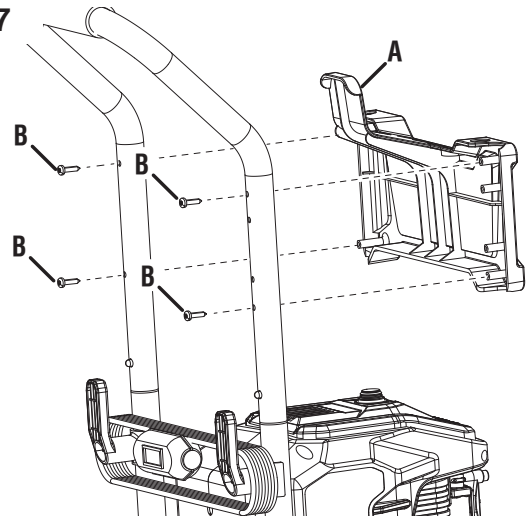
- Align the posts on the hose retainer with the holes in the frame.
- Press the hose retainer onto the frame and push the posts into the hole.
- Install screws and tighten securely.
- Place the trigger handle holster on the back of the handle as shown.
- Install screws and tighten securely.

CONNECTING THE LANCE TO THE TRIGGER HANDLE

See Figure 9.

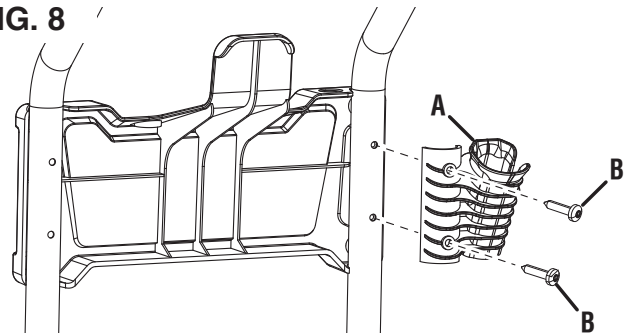
- Push the lance into the trigger handle and turn clockwise to tighten. **Do not overtighten.**
- Gently pull on the lance to be certain it is secured.
- If desired, place the nozzles, trigger handle, lance, and power cord in their storage areas.

FIG. 7



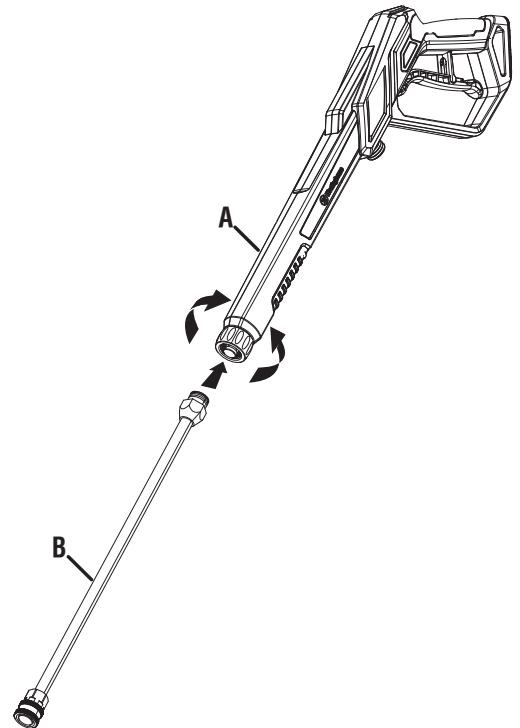
A - Hose retainer
B - Screws

FIG. 8



A - Trigger handle holster
B - Screws

FIG. 9



A - Trigger handle
B - Lance

OPERATION

WARNING Do not alter or modify this product unless instructed to so in this manual or by the manufacturer. Do not use attachments or accessories that are not recommended for use with this product. Making unauthorized modifications and using incompatible accessories can damage the unit and may void your warranty.

WARNING ALWAYS wear eye protection to prevent injury to eyes when operating the pressure washer.

WARNING NEVER spray directly at a person, animal, electrical device, or the unit itself. Failure to heed this warning could result in serious injury, electric shock, or death.

WARNING ALWAYS turn the on/off switch to the off position when the unit is not being used.

CONNECTING THE HIGH PRESSURE HOSE TO THE TRIGGER HANDLE

See Figure 10.

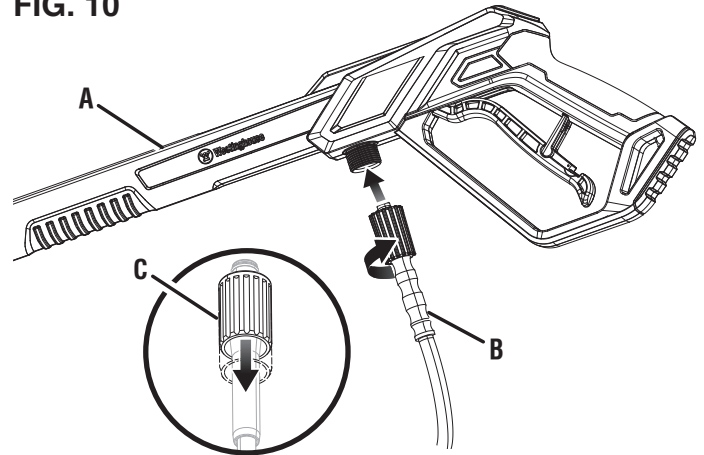
- Pull the collar on the high pressure hose back and push the hose fitting firmly into the trigger handle.
 - Screw the collar onto the trigger handle and tighten securely.
- NOTE:** Be careful not to damage the threads on the trigger handle doing so could cause the trigger handle to leak during use.
- Gently pull on the hose to be certain it is secured.

CONNECTING THE HIGH PRESSURE HOSE TO THE PRESSURE WASHER

See Figure 11.

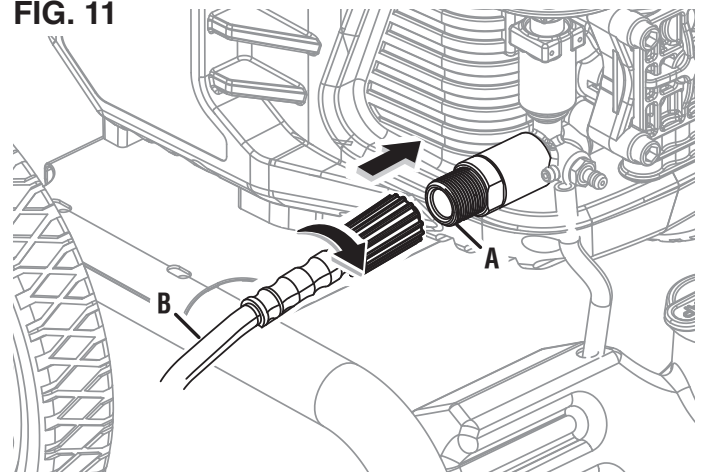
- Uncoil and straighten the high pressure hose to remove any bends or kinks.
 - Pull the collar on the high pressure hose back and push the hose fitting firmly into the threaded outlet on the pressure washer.
 - Screw the collar onto the outlet and tighten securely.
- NOTE:** Be careful not to damage the threads on the outlet doing so could cause the unit to leak during use.
- Gently pull on the hose to be certain it is secured.

FIG. 10



- A - Trigger handle
- B - High pressure hose
- C - Collar

FIG. 11



- A - Threaded outlet
- B - High pressure hose

CONNECTING A GARDEN HOSE TO THE PRESSURE WASHER

See Figure 12.

NOTICE Follow local regulations and ordinances when connecting your pressure washer to a water supply. Some jurisdictions may prohibit you from connecting directly to public drinking water in order to prevent the possibility of chemicals feeding back into the system. Connections made through a backflow preventer or receiver tank are generally permitted.

OPERATION

NOTICE

The water used in this device must come from a water main. **DO NOT** use this device with water from a lake, pool, pond, etc. **NEVER** use hot water with this product.

- Turn the water faucet completely off.
- Uncoil and straighten the garden hose to remove any bends or kinks.
- Flush water through the hose for several seconds to remove debris and then turn the faucet off again.
- Inspect the screen inside the water inlet for damage or clogs. Clean or replace as needed. **NEVER** connect a garden hose without the screen in place.
- Insert the garden hose into the water inlet.
- Thread the collar on the inlet onto the garden hose. Tighten securely.

NOTICE

ALWAYS turn the water supply “ON” before turning the pressure washer power to “ON”. Running the pump dry of water will cause damage to the internal components and render the pressure washer inoperable.

OVERVIEW

This pressure washer can produce very high levels of water pressure and can be used for a variety of cleaning applications such as cleaning decks and walkways, washing vehicles and equipment; and removing dirt from home exteriors and fences.

STARTING AND STOPPING THE PRESSURE WASHER

See Figure 13.

- Connect a garden hose as described previously and turn the water on.

NOTICE

ALWAYS turn the water supply “ON” before turning the pressure washer power to “ON”. Running the pump dry of water will cause damage to the internal components and render the pressure washer inoperable.

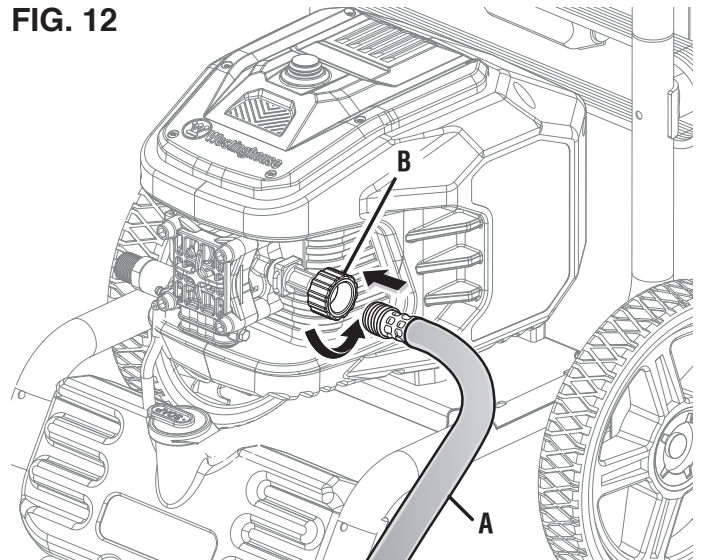
- Connect a garden hose and turn the water on.
- Completely unwind the power cord and connect it to a grounded 120 volt outlet.

WARNING

Keep all connections dry and off the ground. Do not touch the plug with wet hands.

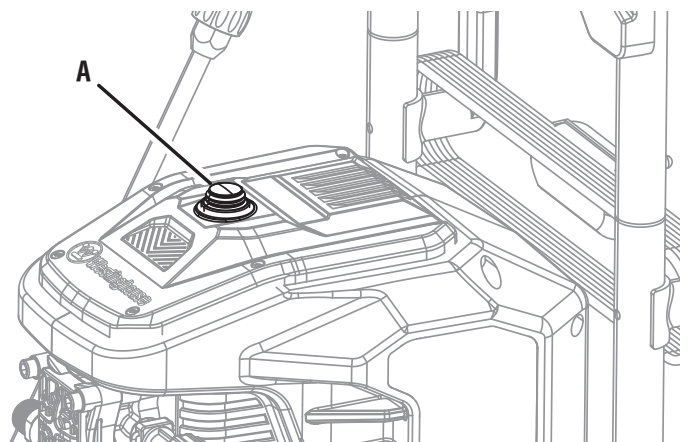
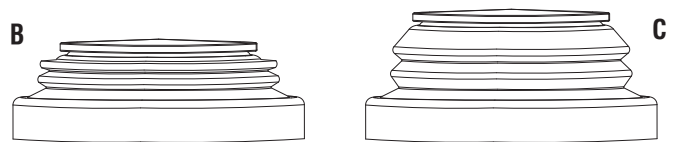
- Hold the trigger handle with both hands and point the lance in a safe direction.
- Release the safety lock and squeeze the trigger to release water and air out of the hose. Continue squeezing the trigger until there is a steady stream of water, then release and lock the trigger. Refer to **Using the Trigger Handle** later in this section.

FIG. 12



A - Garden hose
B - Water inlet

FIG. 13



A - On/off switch
B - On position
C - Off position

- Press the on/off switch to start the pressure washer. The unit will run for several seconds and shut off. This is a normal function of the auto-start feature.

NOTE: The unit could be pressurized even if you don't hear the motor and pump running. Always be cautious when you are around a pressure washer.

- Press the on/off switch again to stop the pressure washer.
- When you stop the pressure washer, water pressure may remain in the system. Point the trigger handle in a safe direction and pull the trigger to release the water pressure.

OPERATION

USING THE TRIGGER HANDLE

See Figure 14.

⚠ WARNING Hold the trigger handle and lance with two hands (one hand to pull the trigger and the other to stabilize the trigger handle) until you get used to the “recoil”. Do not lose control of the trigger handle doing so could result in injury to yourself and others.

- Start the pressure washer.
- Release the safety lock by pushing it down into the slot in the trigger.
- Squeeze and hold the trigger to start the flow of water.
- Release the trigger to stop the flow of water.
- Lock the trigger by pushing it up to its original position.

NOTE: Squeeze the trigger to make sure its locked and will not move. ALWAYS keep the trigger handle locked when it's not in use.

INSTALLING NOZZLES

See Figure 15.

⚠ WARNING ALWAYS turn off the pressure washer, release the pressure in the trigger handle, and lock the trigger before removing or installing a nozzle. NEVER point the lance at your face. Failure to heed this warning could result in serious injury.

- Stop the pressure washer and turn the water faucet completely off.
- Point the trigger handle in a safe direction and pull the trigger to release the water pressure.
- Lock the trigger.
- Push the nozzle into the lance until it clicks into place and is secure.
- To remove the nozzle, pull the collar back and move the nozzle away from the lance.


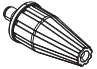
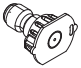
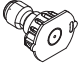
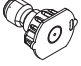
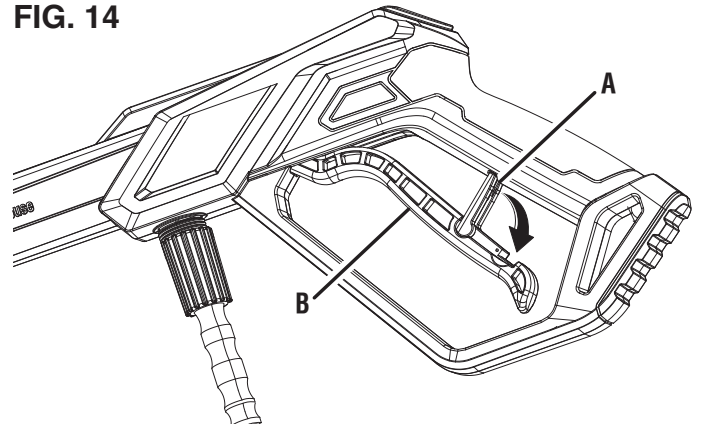
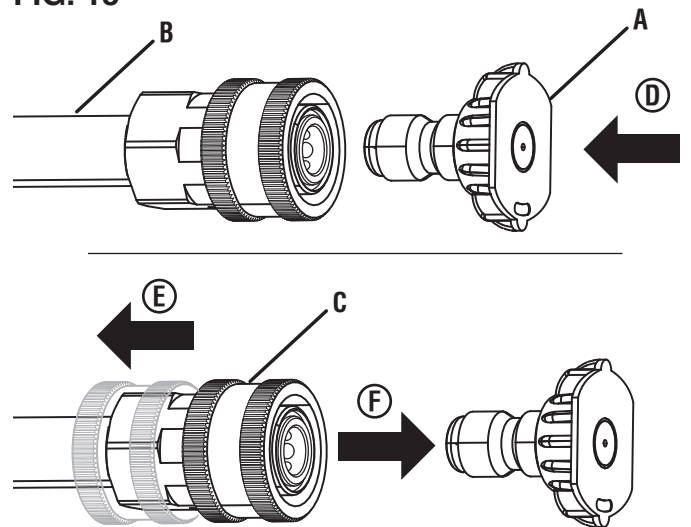
| NOZZLE | GENERAL USE |
|---|--|
|  0°  Turbo | High Pressure. Use to clean concrete, remove tough stains, and strip paint. Use with caution. |
|  15°  25° | Moderate pressure. Safe to use on brick and paved patios. |
|  Soap | Low Pressure. Safe for cars, windows and decks. |

FIG. 14



A - Trigger
B - Safety lock

FIG. 15



A - Nozzle
B - Lance
C - Collar
D - Push nozzle in
E - Pull collar back
F - Remove nozzle

OPERATION

CLEANING WITH THE PRESSURE WASHER

See Figures 16 - 17.

To clean with detergent:

- Stop the pressure washer and turn the water faucet completely off.
- Point the trigger handle in a safe direction and pull the trigger to release the water pressure.
- Install the soap nozzle. This unit applies detergent under low pressure using the soap nozzle only.
- Fill the soap tank with a properly formulated detergent-to-water ratio, following the detergent manufacturer's instructions.

NOTE: Use detergents designed for pressure washers. The detergent should be the consistency of water. **DO NOT** use thick, gel-like detergents, as they will clog the pressure washer and can cause damage.

- Turn the water on and start the pressure washer.
- Squeeze the trigger and wait several seconds for detergent to appear in the water stream.
- Start cleaning at the bottom of the surface and work your way up in a side-to-side motion. Do not allow soap to dry on the surface being cleaned.
- Release the trigger to stop the pressure washer.
- Allow the motor to come to a complete stop before squeezing the trigger again.

NOTE: Squeezing the trigger rapidly will cause the auto-start feature to miss an on/off cycle and may prevent the washer from turning on. Use slow, deliberate trigger pulls to avoid this.

- When you are finished, remove excess detergent from the soap tank and fill it with clean water. Spray the water through the soap nozzle to flush the system.

To clean without detergent:

- Stop the pressure washer and turn the water faucet completely off.
- Point the trigger handle in a safe direction and pull the trigger to release the water pressure.
- If installed, remove the soap nozzle.
- Install an appropriate nozzle for the task you are performing.
- Turn the water on and start the pressure washer.
- Release the safety lock and begin pressure washing by squeezing the trigger all the way into the handle.

NOTE: Always test in a small inconspicuous area to avoid or reduce damage.

- Start cleaning at the bottom of the surface and work your way up in a side-to-side motion.

OPERATING TIPS

- It is normal to hear the motor run intermittently when the trigger is not being squeezed. The pump is priming itself to operate when the trigger is squeezed again.

FIG. 16

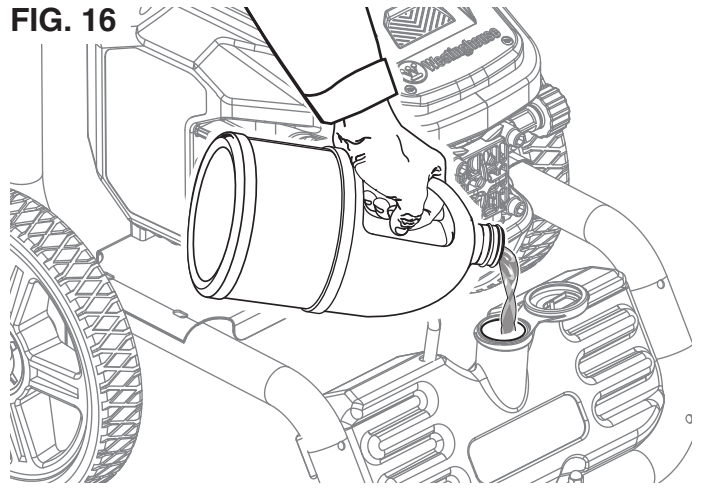
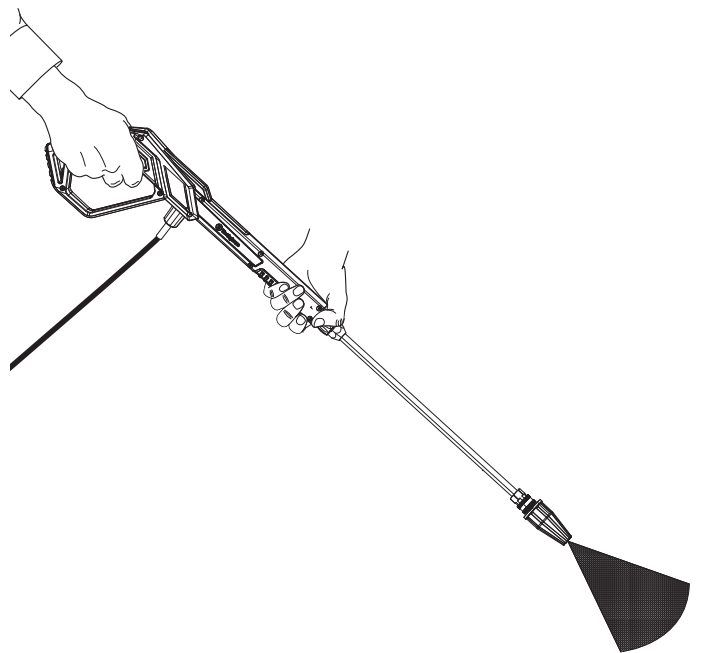


FIG. 17



- To avoid damaging surfaces:

- Always use the appropriate nozzle
- Reduce water pressure by adjusting the angle of the stream or by increasing the distance from the nozzle to the surface.
- Always spray detergent on a dry surface. Do not pre-soak surface. Wetting the surface first dilutes the detergent and reduces its cleaning ability.
- For tough stains, it may be necessary to reapply the detergent and use a bristled brush to scrub the stain.
- Keep a nozzle cleaning tool nearby for unclogging the nozzles.
- The O-rings in the high pressure hose should be cleaned regularly and lubricated with non-water soluble grease such as petroleum jelly.
- Turn off the pressure washer after five minutes of inactivity.

MAINTENANCE

⚠ WARNING ALWAYS turn off the pressure washer, release the pressure in the trigger handle, and unplug the pressure washer before performing maintenance.

⚠ WARNING Replace damaged or worn items with recommended or equivalent replacement parts. Using an incorrect or incompatible part might create a hazard that could result in serious personal injury.

NOTICE Check the physical condition of the product prior to each use. Look for loose bolts, fluid leaks, and other signs of wear. Replace all damaged items. For replacement parts or assistance, contact our customer service team.

To prolong the life of this product, follow the maintenance instructions in this section. Contact customer service before servicing any recall or warranty parts.

CLEANING THE PRESSURE WASHER

Do not store or operate your pressure washer in dirty, dusty, or corrosive environments. Do not allow foreign materials and debris to clog the vents on the unit.

NEVER clean the pressure washer with a garden hose. Water can damage the pressure washer's electrical components. If the unit needs to be cleaned, use a soft brush and damp cloth to clean the exterior and use low pressure air (no greater than 25 psi) to clean the vents.

Never use gasoline as a cleaning agent.

CLEANING THE NOZZLES

See Figure 18.

- Stop the pressure washer and turn the water faucet completely off.
- Release the pressure in the trigger handle and unplug the pressure washer.
- Remove the nozzle from the trigger handle.
- Use a nozzle cleaning tool or fine needle to clean debris from the inside of the nozzle.
- Using a garden hose, back flush water through the nozzle.
- When the nozzle is clean, place it back on the lance or in the nozzle storage area.

CLEANING THE WATER INLET SCREENS

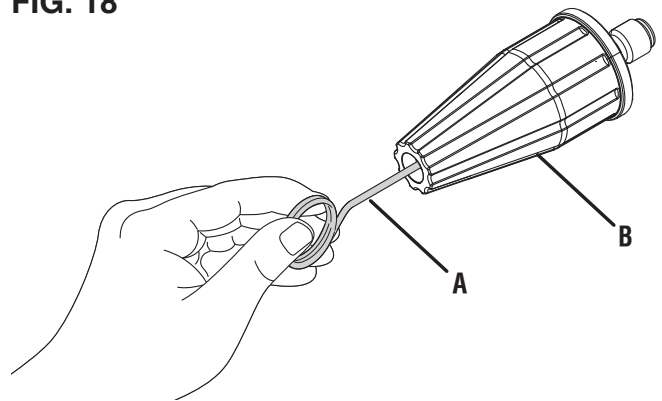
See Figure 19.

The screens inside the garden hose adapter should be cleaned periodically. Remove the screens, rinse them with clean water, and place them back in the inlet.

STORAGE

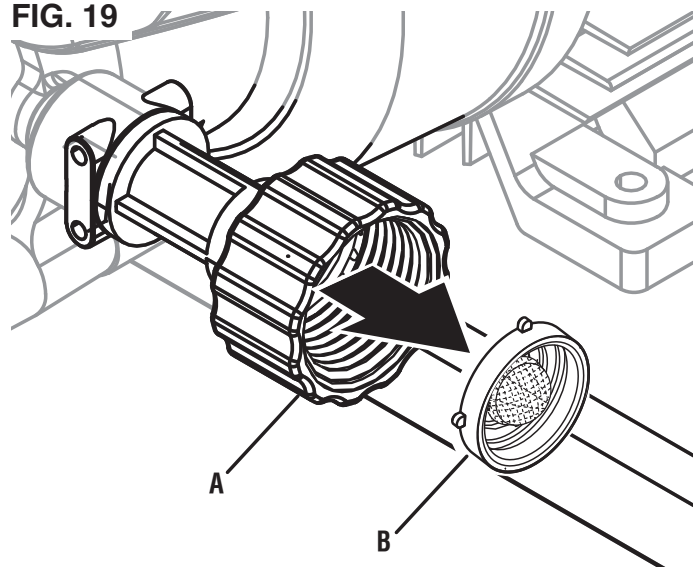
NOTE: Use commercially available pump protectors to extend the life of the pump. Follow the manufacturer's instructions for use.

FIG. 18



A - Nozzle cleaning tool
B - Turbo nozzle

FIG. 19



A - Water inlet
B - Screen

- Release the pressure in the trigger handle and unplug the pressure washer. Wrap the cord around the cord retainer.
- Remove the garden hose and store it properly. Tilt the pressure washer to allow excess water to drain from the inlet.
- Remove all nozzles and place them in the nozzle storage area.
- Disconnect the high pressure hose and wrap it around the hose retainer.
- Disassemble the trigger handle and lance, and place them in the trigger handle holsters.
- Store the pressure washer in a dry, covered location away from extreme heat which could dry out the pump seals and extreme cold which could cause freeze damage.

MAINTENANCE

Maintenance parts can be purchased directly from the factory. A partial list of maintenance parts is below. For a complete list of maintenance parts or for additional information email us at service@wpowereq.com or call 1-855-944-3571.

| | |
|---|------------|
| Inlet Filter..... | 04000267-0 |
| Turbo Nozzle | PWTN |
| Nozzle Kit (includes soap, 0°, 15°, 25°, and 40° nozzles) | 8855 |

⚠ WARNING Do not use attachments or accessories that are not recommended for use with this product. Making unauthorized modifications and using incompatible accessories can damage the unit and void your warranty.

TROUBLESHOOTING

| PROBLEM | POSSIBLE CAUSE | CORRECTION |
|---|--|--|
| Unit will not turn on. | Pressure washer is not connected to a power source or the power source isn't grounded. | Connect the power cord to a grounded 120 Volt outlet. |
| | Water pressure is in the hose. | Pull the trigger to release the water pressure. |
| | GFCI is tripped. | Press the RESET button on the power cord. |
| | Defective motor or power cord. | Contact Westinghouse customer service toll-free at 1-855-944-3571. |
| The unit is running but there is no water flow. | Improper water source. | Connect the pressure washer to a water main. Do not use this device with water from a lake, pool, pond, etc. |
| | Clogged nozzle. | Clean the nozzle. |
| | Defective spray lance. | Replace the lance. |
| Water is leaking where the hose connects to the trigger handle. | Defective or missing O-ring between the high pressure hose and the trigger handle. | Replace the o-ring. |
| The pressure washer turns on for 2 seconds, shuts off, and will not turn back on. | The auto-start feature is turning the unit off. | When the pressure washer is turned on, the motor may run for 1 – 2 seconds to prime the pump. Then it will automatically shut off until the trigger handle trigger is squeezed. This is normal and does not indicate a problem. |

WARRANTY

WESTINGHOUSE OUTDOOR POWER EQUIPMENT THREE YEAR LIMITED WARRANTY

WESTINGHOUSE OUTDOOR POWER EQUIPMENT'S RESPONSIBILITY Westinghouse Outdoor Power Equipment LLC ("Westinghouse") warrants to the original purchaser that its Westinghouse line of electric pressure washers will be free from defects in material and workmanship. Under normal use and maintenance from the date of purchase, Westinghouse agrees to repair or replace at Westinghouse's sole discretion, any defective product free of charge at any authorized Westinghouse Authorized Service Dealer within the below listed applications, time periods, limitations, and exclusions. THIS LIMITED WARRANTY IS EXTENDED TO THE ORIGINAL PURCHASER ONLY AND IS NOT TRANSFERABLE TO SUBSEQUENT OWNERS EXCEPT FOR EMISSION RELATED PARTS. For a list of Westinghouse Authorized Service Dealers refer to www.wpowereq.com or call 1-855-944-3571.

OWNER'S RESPONSIBILITY To ensure hassle-free warranty coverage, it is important that you register your Westinghouse electric pressure washer online at www.wpowereq.com, by automated phone at 1-855-944-3571, or by filling out and returning to Westinghouse the warranty registration card supplied with your pressure washer. Registering your product confirms your warranty coverage and provides a direct link between you and Westinghouse should it become necessary to contact you.

Your receipt for purchase including date, model and serial number must be maintained and presented to Westinghouse customer service in order to obtain warranty service. Proof of purchase rests solely with you, the original purchaser. You must demonstrate reasonable care and use and follow preventive maintenance and storage guidelines as prescribed in the operator's manual for your Westinghouse unit. Should a product difficulty occur, you must, at your expense, deliver or ship your Westinghouse unit to an Authorized Service Dealer for warranty repairs (which must occur within the applicable warranty period), and arrange for pick-up or return of your unit after the repairs have been made. If proof of purchase is not available to establish purchase date nor is the product registered as described herein, the date of manufacturing as recorded

To find the Westinghouse Authorized Service Dealer nearest to you, call Westinghouse customer service and support at 1-855-944-3571 or visit the "Locate a Service Dealer" page at www.wpowereq.com Should you require assistance or have questions concerning Westinghouse's Warranty Statement, you can contact us through online at www.wpowereq.com or call 1-855-944-3571.

PRODUCT WARRANTY APPLICATIONS AND PRODUCT WARRANTY PERIODS

CONSUMER APPLICATION

For the purposes of this limited warranty, "Consumer Application" means usage by the original purchaser for the purpose of personal residential household or recreational use. For those using this product for a consumer application, the following warranty terms apply:

Parts and labor will be fully covered for a period of one year from the date of purchase.

Parts only will be fully covered for a period of two years from the date of purchase.

At Westinghouse's sole discretion, certain replacements be fully covered for a period of three years from the date of purchase.

COMMERCIAL APPLICATION

For the purposes of this limited warranty, "Commercial Application" means usage by the original purchaser for the purpose of income producing, business relation use. Once a Westinghouse electric pressure washer has been used for income producing and business related purposes, it shall thereafter be considered a product used for a "Commercial Application" and the following warranty terms apply:

Parts and labor will be fully covered for a period of ninety days from the date of purchase.

EXCLUSIONS

The following items are excluded from warranty coverage:

- Utilization of non-Westinghouse replacement parts except where authorized by Westinghouse in writing
- Costs of routine/normal maintenance
- Repairs or diagnostics performed by a non-authorized service dealer except where authorized by Westinghouse in writing
- Product failures due to normal wear and tear, accident, misuse, abuse, negligence, or improper use
- Product failures due to any external cause, including but not limited to: collision, theft, vandalism, riot, war, fire, freezing, lightning, earthquake, windstorm, hail, water damage, flood damage, tornado damage, rodent/pest related damage, or hurricane damage
- Products that are modified or altered in a manner not authorized in writing by Westinghouse
- Any incidental, consequential, or indirect damages caused by defects in materials or workmanship
- Any incidental, consequential, or indirect damages caused by delay in repair or replacement of defective part(s)
- Product failure due to misapplication
- Telephone, cellular phone, fax, internet, or any other communication-related expenses \
- Expenses related to "customer instruction" or troubleshooting where no manufacturing defect is found
- Overnight freight or special shipping costs for replacement parts
- Overtime, holiday, or emergency labor costs

DISCLAIMER OF IMPLIED WARRANTIES

This limited warranty is in lieu of all other expressed or implied warranties, including any warranty of FITNESS FOR A PARTICULAR PURPOSE OR USE and any IMPLIED WARRANTY OF MERCHANTABILITY otherwise applicable to Westinghouse's line of electric pressure washers and its affiliated companies shall not be liable for any special, incidental or consequential damage, including lost profits. There are no warranties extended other than as provided herein. This limited warranty may be modified only by Westinghouse Outdoor Power Equipment LLC. Any implied warranties allowed by law shall be limited in duration to the terms of the express warranty provided herein. Some states do not allow the exclusion or limitation of incidental or consequential damages, so the above limitation may not apply to you. This warranty gives you specific legal rights. You also have other rights from state to state. WESTINGHOUSE OUTDOOR POWER EQUIPMENT LLC'S ONLY LIABILITY SHALL BE THE REPAIR OR REPLACEMENT AS STATED ABOVE. IN NO EVENT SHALL WESTINGHOUSE BE LIABLE FOR ANY INCIDENTAL OR CONSEQUENTIAL DAMAGES, EVEN IF SUCH DAMAGES ARE A DIRECT RESULT OF MWE INVESTMENTS, LLC'S NEGLIGENCE. Some states do not allow the exclusion or limitation of incidental or consequential damages, so the above limitation may not apply to you.

This limited warranty is given by Westinghouse Outdoor Power Equipment LLC (777 Manor Park Drive, Columbus, OH 43228).

ESPAÑOL

WPX3400e / WPX3000e

LAVADORA A PRESIÓN ELÉCTRICA

3 400 PSI / 3 000 PSI / 1,76 GPM

MANUAL DE USUARIO

NO DEVUELVA ESTE PRODUCTO A LA TIENDA

Si tiene preguntas o necesita ayuda, llame al servicio de atención al cliente al 855-944-3571.

TABLA DE CONTENIDO

| | |
|---|----------------|
| Introducción..... | 2-3 |
| Seguridad..... | 4-7 |
| Eléctrico..... | 8 |
| Componentes..... | 9 |
| Montaje..... | 10-13 |
| Operación..... | 13-16 |
| Cuidado y mantenimiento..... | 16-17 |
| Solución de problemas..... | 17 |
| Garantía..... | 18 |
| Línea de atención al cliente/dirección de la empresa..... | Página trasera |

INTRODUCCIÓN

⚠ ADVERTENCIA Este producto y otras sustancias que pueden pasar al aire debido a su uso contienen sustancias químicas, incluido el plomo, que el estado de California reconoce como causantes de cáncer, defectos de nacimiento u otros daños reproductivos. **Lavarse las manos después de la manipulación.** Para obtener más información, visite www.P65warnings.ca.gov.

EXENCIONES DE RESPONSABILIDAD

Toda la información, ilustraciones y especificaciones de este manual estaban vigentes en el momento de su publicación. Las ilustraciones que se utilizan en este manual se ofrecen únicamente como vistas de referencia representativas. Nos reservamos el derecho de realizar cualquier cambio en las especificaciones o el diseño sin previo aviso.

RESERVADOS TODOS LOS DERECHOS

Reservados todos los derechos. No se permite la reproducción en ninguna forma sin el permiso por escrito de Westinghouse Outdoor Power Equipment.



⚠ PELIGRO Lea este manual antes de usar o realizar el mantenimiento de este producto. El incumplimiento de las instrucciones y precauciones de seguridad de este manual puede provocar lesiones graves o

la muerte.

ACTUALIZACIONES

El manual de usuario más reciente para sus productos Westinghouse se puede encontrar en nuestra pestaña de soporte wpowereq.com/pages/manuals

O escanee el siguiente código QR con la cámara de su teléfono inteligente para ser dirigido al enlace.



INTRODUCTION

REGISTRACIÓN DEL PRODUCTO

Para una cobertura de garantía sin problemas, es importante registrar su producto Westinghouse.

Puedes registrarte por:

- Completar y enviar por correo la tarjeta de registro del producto incluida en la caja.
- Registro del producto suen línea en: wpowereq.com/pages/warranty-registration
- Escanee el código QR anterior con la cámara de su teléfono inteligente para ser dirigido al enlace de registro móvil.



Para su archivo

Fecha de compra: _____

Número de modelo: _____

Número de serie: _____

Lugar de compra: _____

- Envío de la siguiente información del producto a:

Westinghouse Outdoor Power

Warranty registration
777 Manor Park Drive
Columbus, OH 43228

IMPORTANTE: Guarde su recibo de compra para una cobertura de garantía sin problemas.

ESPECIFICACIONES WPX3400e

Temperatura del agua..... Solo agua fría
Presión máxima.....3 400 PSI
Presión máxima nominal3 000 PSI
Caudal máximo de agua..... 2,0 US GPM (7,57 LPM)

Caudal de agua nominal..... 1,1 US GPM (4,16 LPM)
Fase..... Único
Entrada.....120 V, solo CA, 60 Hz, 14 amperios

ESPECIFICACIONES WPX3000e

Temperatura del agua..... Solo agua fría
Presión máxima.....3 000 PSI
Presión máxima nominal2 600 PSI
Caudal máximo de agua..... 1,76 US GPM (6,7 LPM)

Caudal de agua nominal..... 1,1 US GPM (4,16 LPM)
Fase..... Único
Entrada.....120 V, solo CA, 60 Hz, 13 amperios

⚠ ADVERTENCIA **NUNCA** rocíe directamente sobre una persona, un animal, un dispositivo eléctrico o la unidad misma. El incumplimiento de esta advertencia podría provocar lesiones graves, descargas eléctricas o la muerte.

AVISO **NUNCA** permita que la bomba de la lavadora a presión funcione durante más de un minuto después de haber cerrado el suministro de agua. Esto puede hacer que el motor y la bomba se sobrecalienten y fallen. **SIEMPRE** desenrolle completamente la manguera de jardín y retire cualquier objeto que pueda estar restringiendo o impidiendo el flujo de agua a la máquina.

AVISO ¡Gracias por elegir Westinghouse! POR FAVOR LEA ANTES DE DEVOLVER ESTE PRODUCTO POR CUALQUIER MOTIVO.

Si tiene alguna pregunta o experimenta un problema con su compra de Westinghouse, llámenos al 1-855-944-3571 para hablar con un agente.

GUARDE ESTE MANUAL PARA FUTURAS CONSULTAS.

¿TIENE PREGUNTAS?
Envíenos un correo electrónico
a service@wpowereq.com o llame al 1-855-944-3571

SEGURIDAD

DEFINICIONES DE SEGURIDAD

Las palabras PELIGRO, ADVERTENCIA, PRECAUCIÓN y AVISO se utilizan en este manual para resaltar información importante. Asegúrese de que los significados de esta información de seguridad sean conocidos por todos los que operan, realizan el mantenimiento o están cerca de lavadora a presión.



Este símbolo de alerta de seguridad aparece con la mayoría de las declaraciones de seguridad. Significa atención, ponte alerta, ¡tu seguridad está en juego! Lea y respete el mensaje que sigue al símbolo de alerta de seguridad.

PELIGRO Indica una situación peligrosa que, si no se evita, provocará la muerte o lesiones graves.

ADVERTENCIA Indica una situación peligrosa que, si no se evita, podría provocar la muerte o lesiones graves.

PRECAUCIÓN Indica una situación peligrosa que, si no se evita, podría provocar lesiones leves o moderadas.

AVISO Indica una situación que puede causar daños al lavadora a presión, a la propiedad personal y/o al medio ambiente, o hacer que el equipo funcione incorrectamente.

NOTA: Indica un procedimiento, práctica o condición que se debe seguir para que lavadora a presión funcione de la manera prevista.

SÍMBOLOS DE SEGURIDAD

Siga toda la información de seguridad contenida en este manual del usuario, así como la información en la etiqueta del producto.

| SÍMBOLO | DESCRIPCIÓN |
|---------|--|
| | Símbolo de alerta de seguridad |
| | Riesgo de inyección. |
| | Construcción con doble aislamiento |
| | Descarga eléctrica |
| | Riesgo de explosión. Nunca rocíe líquidos inflamables. Los líquidos inflamables y sus vapores pueden ser explosivos. |
| | No opere en condiciones húmedas |
| | Lea las instrucciones del fabricante |
| | Contragolpe. |
| | Use protección para los ojos y los oídos |

INSTRUCCIONES DE SEGURIDAD IMPORTANTES

⚠ ADVERTENCIA Para reducir el riesgo de lesiones, el usuario debe leer y comprender las instrucciones antes de usar este producto.

⚠ ADVERTENCIA **Riesgo de inyección de líquido.** Nunca rocíe a personas o animales, ya que podría causar lesiones. Active el bloqueo del gatillo cuando la lavadora a presión no esté en uso.

⚠ ADVERTENCIA Al usar este producto, siempre se deben seguir precauciones básicas, incluidas las siguientes:

- **ADVERTENCIA — Riesgo de inyección o lesiones: no descargue el chorro sobre las personas.**
- **SIEMPRE** tómese el tiempo para leer todas las instrucciones antes de usar el producto.
- Se recomienda leer atentamente y comprender todos los aspectos operativos de la lavadora a presión descritos en

este manual para evitar lesiones personales y/o daños a la propiedad y maximizar su experiencia de lavado a presión.

- Comprender y saber cómo detener el producto de manera segura y purgar las presiones rápidamente. Familiarícese con todos los controles.
- Siga las instrucciones de mantenimiento como se especifica en el manual.
- **NO** use su lavadora a presión cuando esté bajo la influencia del alcohol o las drogas. Use esta herramienta eléctrica con cuidado y solo cuando esté alerta.
- Mantenga el área de operación libre de personas, animales y objetos peligrosos.
- **NO** se estire demasiado ni se pare sobre un soporte inestable. Mantenga un buen equilibrio y equilibrio en todo momento.
- **La lavadora a presión está equipada con un interruptor de circuito de falla a tierra (GFCI) que reduce en gran medida la posibilidad de descarga eléctrica mientras la unidad está en uso. Si es necesario reemplazar el enchufe o el cable, use solo piezas de repuesto idénticas.**

GUARDE ESTAS INSTRUCCIONES PARA FUTURAS CONSULTAS.


PROTECCIÓN CON INTERRUPTOR DE CIRCUITO DE FALLA A TIERRA

Esta lavadora a presión tiene una falla a tierra interruptor de circuito (GFCI) integrado en el enchufe del cable de alimentación eléctrica. Un GFCI proporciona protección adicional contra el riesgo de descarga eléctrica. Si es necesario reemplazar el enchufe o el cable, use piezas de repuesto idénticas que incluyan protección GFCI.

MANTENIMIENTO DE UN APARATO CON DOBLE AISLAMIENTO

En un producto con doble aislamiento, se proporcionan dos sistemas de aislamiento en lugar de conexión a tierra. No se proporcionan medios de conexión a tierra para un producto con doble aislamiento, ni se deben agregar medios de conexión a tierra al producto.

El mantenimiento de un producto con doble aislamiento requiere extremo cuidado y conocimiento del sistema, y solo debe ser realizado por personal de servicio calificado.

Un producto con doble aislamiento está marcado con las palabras “**DOBLE AISLAMIENTO**” o “**DOBLE AISLAMIENTO**”. Este símbolo  también puede estar marcado en el producto.

SEGURIDAD

- Si no lee y sigue las instrucciones de los manuales del usuario, podría provocar la muerte, lesiones corporales y/o daños a la propiedad.
- Cuando utilice la lavadora a presión cerca de niños, asegúrese de que estén supervisados de cerca por un adulto para evitar lesiones. **NUNCA** permita que un niño use la lavadora a presión.
- Esta lavadora a presión cumple con CSA y otras normas de seguridad y del consumidor. **NO** modifique ni reconstruya ninguna parte de su lavadora a presión.
- Cuide su equilibrio y sus pasos mientras usa su lavadora a presión. Las superficies se vuelven resbaladizas cuando están mojadas y son aún más resbaladizas cuando se usa un detergente o un limpiador.
- **NUNCA** opere la lavadora a presión con los pies descalzos, sandalias o zapatos abiertos.
- **NO** toque el rociador de alta presión con los dedos, las manos o los pies y tenga cuidado de evitar el contacto con los ojos, ya que el rociador potente puede causar ceguera o agujeros en la piel.
- **SIEMPRE** use protección para los ojos para evitar lesiones en los ojos cuando opere la lavadora a presión.
- Para evitar accidentes que causen lesiones, utilice **SIEMPRE** el bloqueo de seguridad del gatillo cuando la lavadora a presión no esté en uso, incluso si el rociado se detiene por un momento.
- Apunte la pistola rociadora en una dirección segura cuando comience a usar su lavadora a presión.
- **NUNCA** rocíe directamente sobre una persona, un animal, un dispositivo eléctrico o la unidad misma. La lavadora a presión puede romper el vidrio si se golpea con contacto directo.
- Sujete la pistola rociadora y la lanza con las dos manos (una mano para apretar el gatillo y la otra para estabilizar la pistola) hasta que se acostumbre al “retroceso”.
- Cuando detiene la lavadora a presión, la presión del agua puede permanecer en el sistema. Para liberar la presión, apunte la pistola rociadora en una dirección segura y apriete el gatillo.
- **NUNCA** rocíe líquidos inflamables.
- **NUNCA** use la lavadora a presión en áreas que contengan polvo, líquidos o vapores combustibles.
- Examine la manguera regularmente. Reemplace si está dañado. Debido a la alta presión involucrada, no se puede reparar si se corta o daña.
- Solo use detergente específicamente formulado para lavadoras a presión y siga las instrucciones en la etiqueta del detergente.
- El detergente puede ser dañino para la piel, los ojos y los pulmones. Tenga cuidado al manipular cualquier producto químico. El jabón para platos y ropa es demasiado espeso y obstruirá la boquilla de la botella de detergente.

AVISO

Guarde la lavadora a presión en el interior en un ambiente calentado para evitar que el agua en la unidad se congele y se expanda. Cuando el agua se congela y se expande, la bomba de alta presión se romperá y dejará inoperable la lavadora a presión. Se recomienda que use un protector de bomba (no incluido) para proteger las bombas contra congelamiento y agrietamiento.

- **NUNCA** use agua caliente con su lavadora a presión. Se sobrecalentará y dañará los sellos y componentes de la bomba de alta presión que no se pueden reparar.
- **NUNCA** deje la lavadora a presión “ENCENDIDA” mientras esté desatendida.
- **SIEMPRE** abra el suministro de agua antes de encender la lavadora a presión. Hacer funcionar la bomba sin agua dañará los componentes internos y hará que la lavadora a presión deje de funcionar.
- **NUNCA** use un suministro de agua para su lavadora a presión que exceda el máximo de 150 PSI.
- **NUNCA** desconecte la manguera de alta presión de la lavadora a presión mientras el sistema está presurizado.
- **NUNCA** enganche permanentemente los mecanismos de gatillo en la pistola rociadora.
- **NUNCA** opere la lavadora a presión a menos que todos los componentes estén conectados correctamente y de manera segura.
- **NUNCA** permita que la bomba de la lavadora a presión funcione durante más de un minuto después de haber cerrado el suministro de agua. Esto puede hacer que el motor y la bomba se sobrecalienten y fallen.
- **NUNCA** use un cable de alimentación.
- **NUNCA** utilice un cable de alimentación de extensión. Aumenta el riesgo de descarga eléctrica para el operador y la disminución de voltaje puede causar daños permanentes al motor de la unidad.
- **NUNCA** use lanzas u otras piezas que no sean compatibles con esta unidad Westinghouse específica.
- **NUNCA** rocíe ningún tomacorriente con su lavadora a presión.
- Inspeccione el cable de alimentación antes de usarlo. **NO** lo use si está dañado.
- Mantenga todas las conexiones secas y alejadas del suelo. **NO** toque el enchufe con las manos mojadas.

SEGURIDAD

ETIQUETAS Y CALCOMANÍAS DE SEGURIDAD

La siguiente información se encuentra en las etiquetas y calcomanías de su lavadora a presión.

① Especificaciones

(vea la página 3)

② Símbolos de Seguridad

(vea la página 4)

③ Riesgo de electrocución

- Inspeccione el cordón antes de usarlo. No lo use si el cordón está dañado.
- Mantenga todas las conexiones secas y alejadas del suelo.
- No toque el enchufe con las manos mojadas.
- Este producto se proporciona con un interruptor de circuito de falla a tierra integrado en el enchufe del cordón de alimentación. Si es necesario reemplazar el enchufe o el cordón, use solo piezas de repuesto idénticas.
- Lea el manual de instrucciones antes de usar.

Westinghouse Outdoor Power Equipment
Columbus Ohio 43228 USA
Made in Vietnam

Model La Maqueta | Modèle WPX3400e

Max Pressure Presión Pico | Pression Dr Crête 3400PSI (3400 LB/PO²)

Max Rated Pressure Presión Máxima Nominal | Pression Nominale Maximale 3000PSI (3000 LB/PO²)

Max Water Flow Rate Tasa Máxima de Flujo de Agua | Débit D'eau Maximum 2.0 US GPM (7.57 LPM)

Rated Water Flow Rate Tasa de Flujo de Agua | Débit D'eau Nominal 1.1 US GPM (4.16 LPM)

Rating Clasificación | Évaluation 120V 1PH/Monophasé, AC 60Hz 14A

Serial number

Intertek
5024994
Conforms to UL
Std. 1776
Certified to CSA
Std. C22.2 No. 68

WARNING - DO NOT SPRAY ELECTRICAL APPARATUS AND WIRING. Use cold water only. Store indoors. For either indoor or outdoor use.

AVERTISSEMENT - NE PAS PULVÉRISER DES APPAREILS ET CÂBLAGES ÉLECTRIQUES. Utilisez uniquement de l'eau froide. Conserver à l'intérieur. Pour une utilisation intérieure ou extérieure.

WARNING: Cancer and reproductive harm - www.P65Warnings.ca.gov/product

AVERTISSEMENT: Cancer et problèmes de reproduction - www.P65Warnings.ca.gov/product

ADVERTENCIA: Cáncer y daños al sistema reproductor - www.P65Warnings.ca.gov/product

CAUTION To reduce the risk of injury, read owners manual carefully before using.

MISE EN GARDE Pour réduire le risque de blessure, lisez attentivement le manuel du propriétaire avant de l'utiliser.

CAUTION Gun Kicks Back - Hold with both hands. Risk of eye injury. Always use caution. Wear safety goggles with side shields.

MISE EN GARDE Le pistolet recule - Tenez avec les deux mains. Risque de blessure aux yeux. Soyez toujours prudent, portez des lunettes de sécurité avec écrans latéraux.

WARNING Risk of Injection or injury to persons - Do not direct discharge stream at persons.

AVERTISSEMENT Risque d'injection ou de blessures aux personnes - Ne dirigez pas le jet de décharge vers des personnes.

DANGER RISK OF ELECTROCUTION.

DANGER RISQUE D'ÉLECTROCUTION.

WARNING Risk of Explosion - Do not spray flammable liquids.

AVERTISSEMENT Risque d'explosion - Ne vaporisez pas de liquides inflammables.

Inspect Cord Before Using - Do not use if cord is damaged.

Inspectez le cordon avant utilisation - Ne pas utiliser si le cordon est endommagé. Maintenez toutes les connexions au sec et hors du sol.

Keep all connections dry and off the ground.

Ne touchez pas la prise avec les mains mouillées.

Do not touch plug with wet hands.

Double Insulated - When servicing use only identical replacement parts.

Double isolation - Lors de l'entretien, n'utilisez que des pièces de rechange identiques.

This product is provided with a ground fault circuit interrupter (GFCI) built into the power cord plug. If replacement of the plug or cord is needed, use only identical replacement parts.

Ce produit est fourni avec un disjoncteur de fuite à la terre (GFCI) intégré dans la fiche du cordon d'alimentation. Si le remplacement de la fiche ou du cordon est nécessaire, n'utilisez que des pièces de rechange identiques.

BEFORE SERVICING, CLEANING OR REMOVING PARTS, SHUT OFF THE POWER AND RELIEVE THE PRESSURE.

AVANT D'ENTREtenir, DE METTOver OU DE RETIRER DES PIÉCES, COUPEZ L'ALIMENTATION ÉLECTRIQUE ET RELACHEZ LA PRESSION.

③

⚠ WARNING:

RISK OF ELECTROCUTION

1. INSPECT CORD BEFORE USING. DO NOT USE IF CORD IS DAMAGED.
2. KEEP ALL CONNECTIONS DRY AND OFF THE GROUND.
3. DO NOT TOUCH THE PLUG WITH WET HANDS.
4. DOUBLE INSULATED - WHEN SERVICING USE ONLY IDENTICAL REPLACEMENT PARTS.
5. THIS PRODUCT IS PROVIDED WITH A GROUND FAULT CIRCUIT INTERRUPTER BUILT INTO THE POWER CORD PLUG. IF REPLACEMENT OF THE PLUG OR CORD IS NEEDED, USE ONLY IDENTICAL REPLACEMENT PARTS.
6. READ INSTRUCTION MANUAL BEFORE USING.

⚠ AVERTISSEMENT

RISQUE D'ÉLECTROCUTION

1. INSPECTEZ LE CORDON AVANT DE L'UTILISER. NE PAS UTILISER SI LE CORDON EST ENDOMMAGÉ.
2. GARDEZ TOUTES LES BRANCHEMENTS SECS ET NON AU SOL.
3. NE PAS TOUCHER LA FICHE AVEC LES MAINS MOUILLÉES.
4. À ISOLATION DOUBLE - LORSQUE VOUS EFFECTUEZ DES RÉPARATIONS, UTILISEZ SEULEMENT DES PIÉCES DE REMPLACEMENT IDENTIQUES.

DO NOT REMOVE THIS TAG
NE PAS RETIRER LA PRÉSENTE ÉTIQUETTE.
NO QUITE ESTA ETIQUETA.

⚠ AVERTISSEMENT

5. CE PRODUIT EST OFFERT AVEC UN DISJONCTEUR DE FUITE À LA TERRE INTÉGRÉ DANS LA FICHE DU CORDON, SI LE REMPLACEMENT DE LA FICHE OU DU CORDON EST NÉCESSAIRE, UTILISEZ SEULEMENT DES PIÉCES DE REMPLACEMENT IDENTIQUES.

⚠ ADVERTENCIA:

RIESGO DE ELECTROCUCIÓN

1. REVISE EL CABLE ANTES DE USAR. NO LO USE SI EL CABLE ESTÁ DAÑADO.
2. MANTENGA TODAS LAS CONEXIONES SECAS Y FUERA DEL SUELO.
3. NO TOQUE EL ENCHUFE CON LAS MANOS HÚMEDAS.
4. DOBLE AISLAMIENTO: CUANDO DÉ SERVICIO SÓLO USE PARTES DE REEMPLAZO IDÉNTICAS.
5. ESTE PRODUCTO SE PROPORCIONA CON UN INTERRUPTOR DE CIRCUITO DE FALLA A TIERRA INTEGRADO EN EL ENCHUFE DEL CABLE DE ENERGÍA. SI SE NECESITA REEMPLAZAR EL ENCHUFE O EL CABLE, UTILICE SÓLO PARTES DE REEMPLAZO IDÉNTICAS.
6. LEA EL MANUAL DE INSTRUCCIONES ANTES DE USAR.

DO NOT REMOVE THIS TAG
NE PAS RETIRER LA PRÉSENTE ÉTIQUETTE.
NO QUITE ESTA ETIQUETA.

Westinghouse Outdoor Power Equipment
Columbus Ohio 43228 USA

Model La Maqueta | Modèle WPX3000e

Max Pressure Presión Pico | Pression Dr Crête 3000PSI (3000 LB/PO²)

Max Rated Pressure Presión Máxima Nominal | Pression Nominale Maximale 2600PSI (2600 LB/PO²)

Max Water Flow Rate Tasa Máxima de Flujo de Agua | Débit D'eau Maximum 1.76 US GPM (6.66 LPM)

Rated Water Flow Rate Tasa de Flujo de Agua | Débit D'eau Nominal 1.1 US GPM (4.16 LPM)

Rating Clasificación | Évaluation 120V 1PH/Monophasé, AC 60Hz 13A

Serial number

Intertek
5024994
Conforms to UL
Std. 1776
Certified to CSA
Std. C22.2 No. 68

WARNING - DO NOT SPRAY ELECTRICAL APPARATUS AND WIRING. Use cold water only. Store indoors. For either indoor or outdoor use.

AVERTISSEMENT - NE PAS PULVÉRISER DES APPAREILS ET CÂBLAGES ÉLECTRIQUES. Utilisez uniquement de l'eau froide. Conserver à l'intérieur. Pour une utilisation intérieure ou extérieure.

WARNING: Cancer and reproductive harm - www.P65Warnings.ca.gov/product

AVERTISSEMENT: Cancer et problèmes de reproduction - www.P65Warnings.ca.gov/product

ADVERTENCIA: Cáncer y daños al sistema reproductor - www.P65Warnings.ca.gov/product

CAUTION To reduce the risk of injury, read owners manual carefully before using.

MISE EN GARDE Pour réduire le risque de blessure, lisez attentivement le manuel du propriétaire avant de l'utiliser.

CAUTION Gun Kicks Back - Hold with both hands. Risk of eye injury. Always use caution. Wear safety goggles with side shields.

MISE EN GARDE Le pistolet recule - Tenez avec les deux mains. Risque de blessure aux yeux. Soyez toujours prudent, portez des lunettes de sécurité avec écrans latéraux.

WARNING Risk of Injection or injury to persons - Do not direct discharge stream at persons.

AVERTISSEMENT Risque d'injection ou de blessures aux personnes - Ne dirigez pas le jet de décharge vers des personnes.

DANGER RISK OF ELECTROCUTION.

DANGER RISQUE D'ÉLECTROCUTION.

WARNING Risk of Explosion - Do not spray flammable liquids.

AVERTISSEMENT Risque d'explosion - Ne vaporisez pas de liquides inflammables.

Inspect Cord Before Using - Do not use if cord is damaged.

Inspectez le cordon avant utilisation - Ne pas utiliser si le cordon est endommagé. Maintenez toutes les connexions au sec et hors du sol.

Keep all connections dry and off the ground.

Ne touchez pas la prise avec les mains mouillées.

Do not touch plug with wet hands.

Double Insulated - When servicing use only identical replacement parts.

Double isolation - Lors de l'entretien, n'utilisez que des pièces de rechange identiques.

This product is provided with a ground fault circuit interrupter (GFCI) built into the power cord plug. If replacement of the plug or cord is needed, use only identical replacement parts.

Ce produit est fourni avec un disjoncteur de fuite à la terre (GFCI) intégré dans la fiche du cordon d'alimentation. Si le remplacement de la fiche ou du cordon est nécessaire, n'utilisez que des pièces de rechange identiques.

BEFORE SERVICING, CLEANING OR REMOVING PARTS, SHUT OFF THE POWER AND RELIEVE THE PRESSURE.

AVANT D'ENTREtenir, DE METTOver OU DE RETIRER DES PIÉCES, COUPEZ L'ALIMENTATION ÉLECTRIQUE ET RELACHEZ LA PRESSION.

AISLAMIENTO DOBLE

El doble aislamiento elimina la necesidad de un cable de alimentación de tres hilos con conexión a tierra. Los productos con doble aislamiento no necesitan estar conectados a tierra porque las partes metálicas expuestas están cubiertas con un aislamiento protector que las aísla de los componentes metálicos internos del motor.



ADVERTENCIA

Un sistema de doble aislamiento está diseñado para proteger contra golpes causados por una ruptura en el aislamiento interno del producto. Para evitar descargas eléctricas, siga todos los procedimientos de seguridad ordinarios.

NOTA: Los productos con aislamiento doble solo deben ser reparados por técnicos de servicio calificados. Para obtener más información, comuníquese con el servicio de atención al cliente de Westinghouse al número gratuito 1-855-944-3571.

MOTOR AC

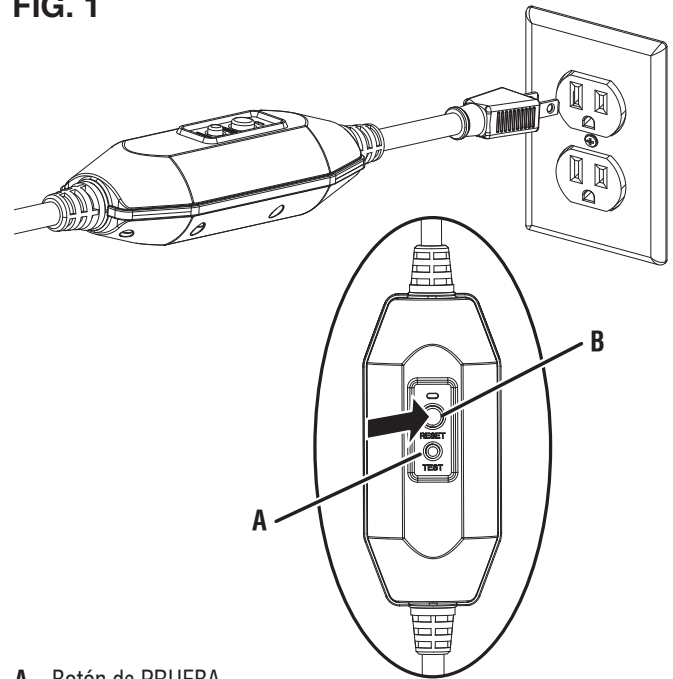
El motor eléctrico de este producto fue diseñado para funcionar con **una fuente de alimentación de CA nominal de 120 V/60 Hz (circuito doméstico promedio de EE. UU.)**. No está diseñado para funcionar con corriente continua (CC). Una caída de voltaje significativa resultará en una pérdida de energía y podría dañar el motor.

PROTECCIÓN CON INTERRUPTOR DE CIRCUITO DE FALLA A TIERRA

Vea la figura 1.

Esta lavadora a presión tiene un interruptor de circuito de falla a tierra (GFCI) integrado en el enchufe del cordón de alimentación. Un GFCI protege contra corrientes de falla a tierra, como una corriente que fluiría a través de una persona parada sobre una superficie mojada mientras sostiene un producto con aislamiento defectuoso. Los enchufes GFCI no protegen contra descargas, cortocircuitos y sobrecargas. Si es necesario reemplazar el enchufe o el cordón, use piezas de repuesto idénticas que incluyan protección GFCI.

FIG. 1



A - Botón de PRUEBA
B - Botón de REINICIO

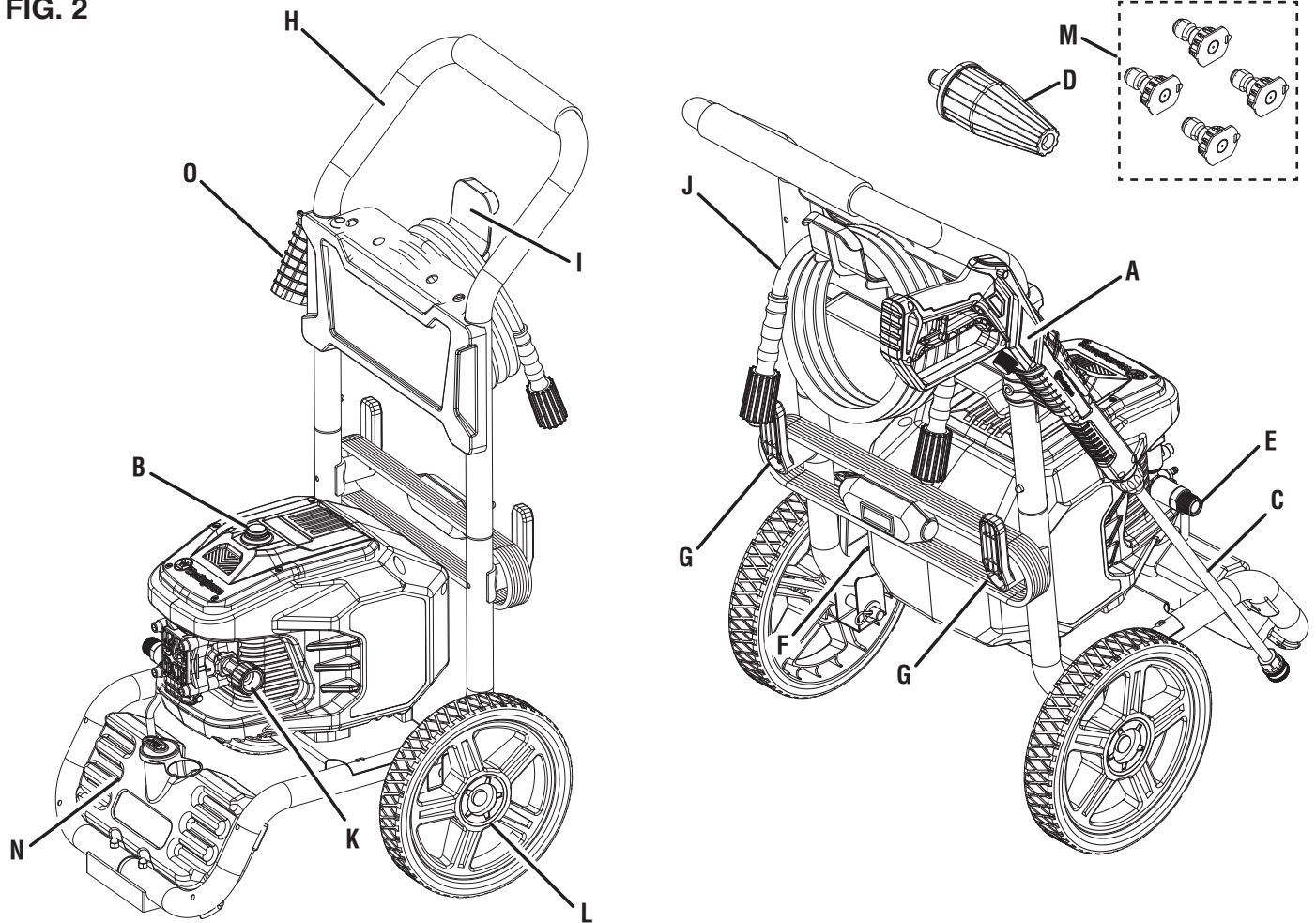
Para probar el GFCI:

- Enchufe el cordón de alimentación en un receptáculo.
- Presione el botón PRUEBA y escuche un “clic” que indica que la conexión a la fuente de alimentación se interrumpió.
- Presione el botón REINICIO para restaurar la energía al dispositivo. La luz LED se encenderá cuando se restablezca la energía.

Pruebe el GFCI mensualmente para garantizar un funcionamiento adecuado.

COMPONENTES

FIG. 2



- A - Pistola pulverizadora
- B - Botón de encendido/apagado
- C - Lanza
- D - Boquilla turbo
- E - Salida roscada

- F - Cable de alimentación
- G - Retenedor de cable
- H - Mango
- I - Retenedor de manguera
- J - Manguera de alta presión

- K - Entrada de agua
- L - Rueda
- M - Boquillas
- N - Depósito de jabón
- O - funda para pistola

ENTENDIENDO SU LAVADORA A PRESIÓN

Vea la figura 2.

Para reducir el riesgo de lesiones y fallas del producto, lea y comprenda la información de este manual del usuario, así como la información de la etiqueta del producto.

RETENEDOR DE CORDÓN

Cuando no esté en uso, enrolle el cable de alimentación y cuélguelo en el costado de la lavadora a presión.

MANGO

Utilice el mango cuando transporte la unidad.

MANGUERA DE ALTA PRESIÓN

La manguera de alta presión incluida con esta unidad es liviana, flexible y duradera. Cuando no esté en uso, la manguera se puede guardar en el retenedor de manguera.

BOQUILLAS

Con esta unidad se incluyen boquillas de diferentes tamaños que se pueden usar para diferentes aplicaciones de limpieza.

BOTÓN DE ENCENDIDO/APAGADO

Presione una vez para iniciar la lavadora a presión. Empuje nuevamente para detener la lavadora a presión.

TANQUE DE JABON

Use el tanque de jabón para agregar detergente.

PISTOLA ROCIADORA

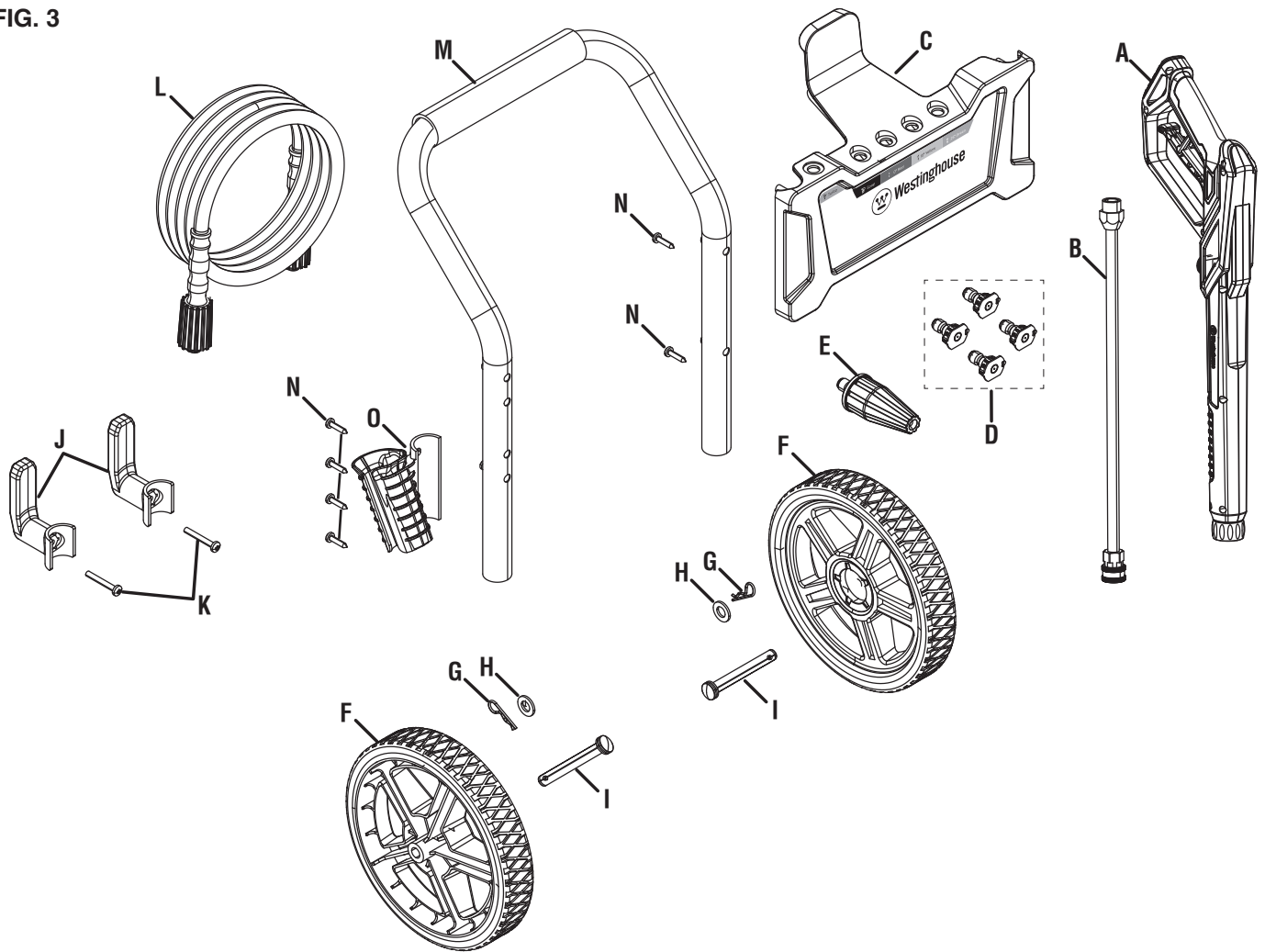
Utilice la pistola rociadora y la lanza para controlar y dirigir el chorro de agua.

BOQUILLA TURBO

La boquilla turbo ofrece un potente patrón de rociado giratorio de 0° que limpia grandes áreas más rápido que las boquillas estándar.

MONTAJE

FIG. 3



- | | | |
|---------------------------|-------------------------|------------------------------|
| A - Pistola pulverizadora | F - Rueda | K - Perno |
| B - Lanza | G - Pasador de enganche | L - Manguera de alta presión |
| C - Retenedor de manguera | H - Arandala | M - Mango |
| D - Boquillas | I - Eje | N - Tornillo |
| E - Boquilla Turbo | J - Retenedor de cable | O - Funda para pistola |

⚠ ADVERTENCIA No conecte la lavadora a presión a una fuente de alimentación hasta que esté completamente ensamblada. Para evitar una puesta en marcha accidental y posibles lesiones graves, solo conecte una fuente de alimentación cuando la lavadora a presión esté lista para usar.

EXTRACCIÓN DEL CONTENIDO DE LA CAJA

⚠ ADVERTENCIA Este producto requiere montaje. No intente operar este producto si alguno de los elementos de la **LISTA INCLUIDA** ya está ensamblado cuando retira el contenido de la caja. Estos artículos no son ensamblados por el fabricante y deben requerir el ensamblaje por parte del cliente. El uso de un producto ensamblado incorrectamente puede ser peligroso y podría provocar lesiones personales graves.

- Corte con cuidado los lados del embalaje y retire el contenido de la caja.
- Inspeccione el contenido de la caricatura. Verifique que todos los artículos en la **LISTA INCLUIDA** estén presentes y sin daños.
- Recicle o deseche los materiales de embalaje de forma adecuada.

LISTA INCLUIDA

Vea la figura 3.

Lavadora a presión, pistola rociadora, lanza, funda de pistola superior, funda de pistola inferior, retenedor de manguera, retenedor de cordón, boquillas (0°, 15°, 25° y jabón), boquilla turbo, manguera de alta presión, ruedas, guía de inicio rápido, manual del usuario

Si falta alguna pieza, comuníquese con nuestro equipo de servicio a service@wpower.com o llame al 1-855-944-3571.

MONTAJE

INSTALACIÓN DE LAS RUEDAS

Vea la figura 4.

- Coloque la lavadora a presión sobre una superficie plana.
- Levante la parte trasera de la lavadora a presión lo suficientemente alto para tener acceso a la parte inferior del bastidor.
- Coloque accesorios debajo de la lavadora a presión para que sirvan como soporte temporal.
- Localice los ejes, las ruedas, las arandelas y los pasadores de enganche.
- Inserte un eje a través del medio de una rueda, una arandela y el bastidor como se muestra.
- Empuje un pasador de enganche en el eje hasta que el centro del pasador descansa contra la parte superior del eje.
- Repita estos pasos para instalar la segunda rueda.

COLOCACIÓN DEL RETENEDOR DEL CABLE

Vea la figura 5.

- Alinee los agujeros en el retenedor del cable con los agujeros en el bastidor.
- **NOTA:** Instale el retenedor del cable mirando hacia arriba como se muestra.
- Inserte un perno a través del bastidor y el retenedor del cable. Apriete para asegurar.

INSTALACIÓN DEL MANGO

Vea la figura 6.



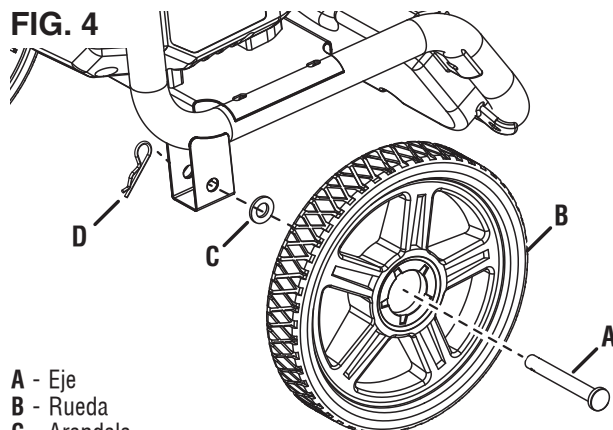
PRECAUCIÓN

Cuando coloque el mango en el bastidor, tenga cuidado para evitar pillarse los dedos o las manos.

- Deslice la manija en el bastidor hasta que haga contacto con los botones.
- Oprima los botones y continúe deslizando la manija hacia abajo en su lugar.
- Tire de la manija hacia arriba hasta que los botones encajen en los orificios de la manija.

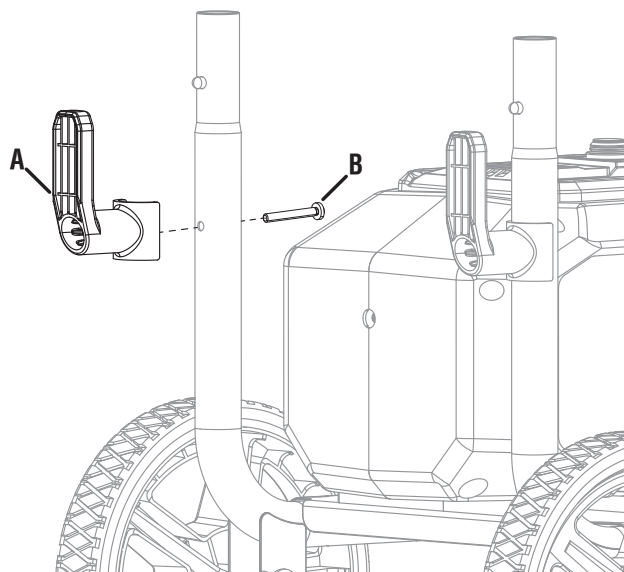
NOTA: Asegúrese de que el mango esté seguro antes de la operación.

FIG. 4



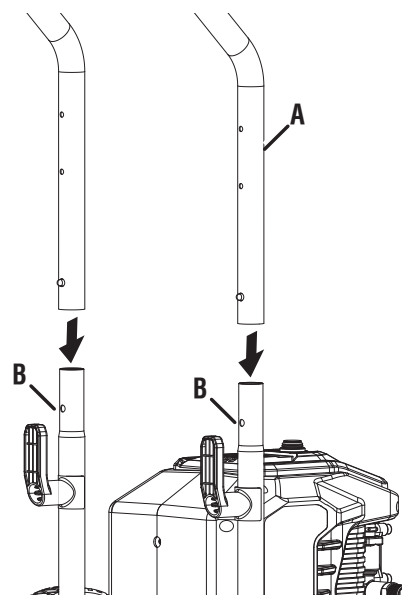
- A - Eje
- B - Rueda
- C - Arandala
- D - Pasador de enganche

FIG. 5



- A - Retenedor de cordón
- B - Perno

FIG. 6



- A - Mango
- B - Botón

MONTAJE

COLOCACIÓN DEL RETENEDOR DE LA MANGUERA Y LA FUNDA DE LA PISTOLA

Vea las figuras 7 y 8.

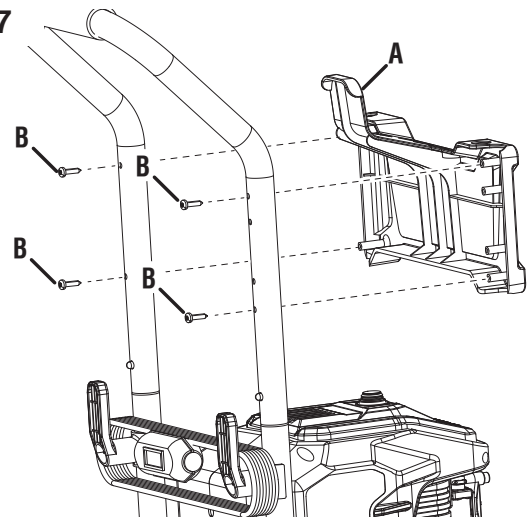
- Alinee los postes en el retenedor de la manguera con los agujeros en el bastidor.
- Presione el retenedor de la manguera en el bastidor y empuje los postes en el orificio.
- Instale los tornillos y apriételos firmemente.
- Coloque la funda de la pistola en la parte posterior del mango como se muestra.
- Instale los tornillos y apriételos firmemente.

CONEXIÓN DE LA LANZA A LA PISTOLA PULVERIZADORA

Vea la figura 9.

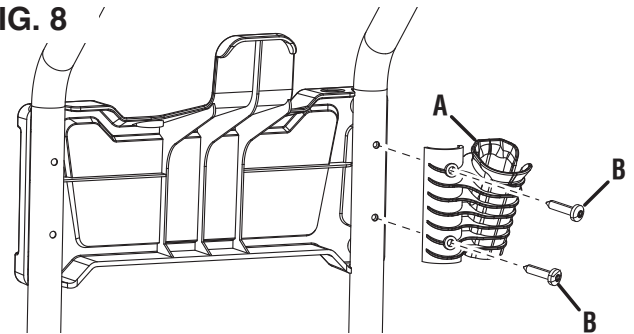
- Empuje la lanza en la pistola rociadora y gírela en el sentido de las agujas del reloj para apretar. **No apriete demasiado.**
- Tire suavemente de la lanza para asegurarse de que esté asegurada.
- Si lo desea, coloque las boquillas, la pistola rociadora, la lanza y el cable de alimentación en sus áreas de almacenamiento.

FIG. 7



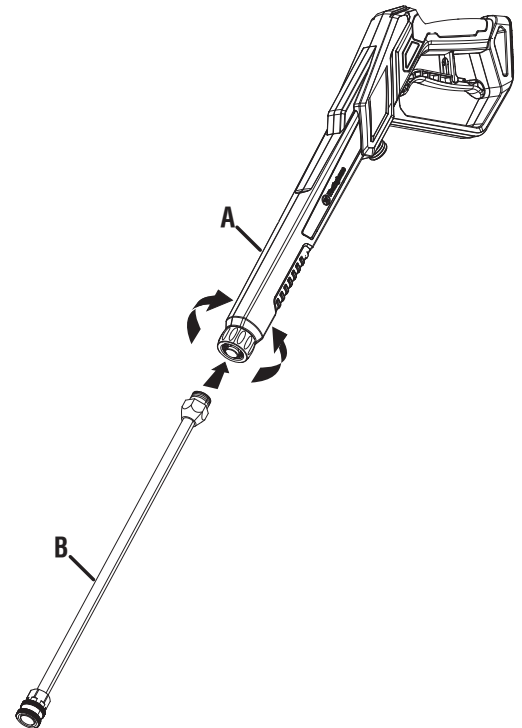
A - Retenedor de manguera
B - Tornillos

FIG. 8



A - Funda para pistola
B - Tornillos

FIG. 9



A - Pistola rociadora
B - Lanza

OPERACIÓN

⚠ ADVERTENCIA No altere ni modifique este producto a menos que así lo indique este manual o el fabricante. No utilice aditamentos o accesorios que no estén recomendados para su uso con este producto. La realización de modificaciones no autorizadas y el uso de accesorios incompatibles pueden dañar la unidad y anular la garantía.

⚠ ADVERTENCIA SIEMPRE use protección para los ojos para evitar lesiones en los ojos cuando opere la lavadora a presión.

⚠ ADVERTENCIA NUNCA rocíe directamente sobre una persona, un animal, un dispositivo eléctrico o la unidad misma. El incumplimiento de esta advertencia podría provocar lesiones graves, descargas eléctricas o la muerte.

⚠ ADVERTENCIA TOUJOURS mettre l'interrupteur marche/arrêt en position d'arrêt lorsque l'appareil n'est pas utilisé.

CONEXIÓN DE LA MANGUERA DE ALTA PRESIÓN A LA PISTOLA PULVERIZADORA

Vea la figura 10.

- Tire hacia atrás del collarín de la manguera de alta presión y empuje firmemente el racor de la manguera en la pistola rociadora.
- Enrosque el collar en la pistola rociadora y apriételo firmemente.

NOTA: Tenga cuidado de no dañar las roscas de la pistola rociadora, ya que podría causar fugas durante el uso.

- Tire suavemente de la manguera para asegurarse de que esté asegurada.

CONEXIÓN DE LA MANGUERA DE ALTA PRESIÓN A LA LAVADORA A PRESIÓN

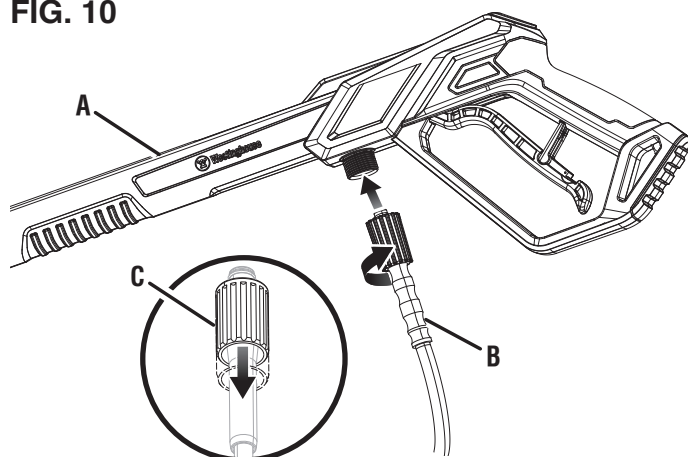
Vea la figura 11.

- Desenrolle y enderece la manguera de alta presión para eliminar cualquier doblez o torcedura.
- Tire hacia atrás del collarín de la manguera de alta presión y empuje firmemente el accesorio de la manguera en la salida roscada de la lavadora a presión.
- Atornille el collar en la salida y apriete firmemente.

NOTA: Tenga cuidado de no dañar las roscas de la salida, ya que podría causar fugas en la unidad durante el uso.

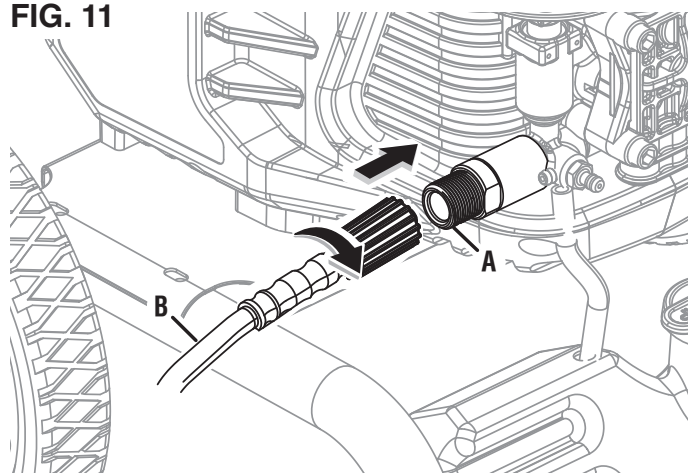
- Tire suavemente de la manguera para asegurarse de que esté asegurada.

FIG. 10



A - Pistola pulverizadora
B - Manguera de alta presión
C - Collar

FIG. 11



A - Salida roscada
B - Manguera de alta presión

CONEXIÓN DE UNA MANGUERA DE JARDÍN A LA LAVADORA A PRESIÓN

Vea la figura 12.

AVISO

Siga las normas y ordenanzas locales cuando conecte su lavadora a presión a un suministro de agua. Algunas jurisdicciones pueden prohibirle conectarse directamente al agua potable pública para evitar la posibilidad de que los productos químicos regresen al sistema. Por lo general, se permiten las conexiones realizadas a través de un dispositivo de prevención de reflujos o un tanque receptor.

OPERACIÓN

AVISO

El agua utilizada en este dispositivo debe provenir de una tubería principal de agua. NO use este dispositivo con agua de un lago, piscina, estanque, etc. NUNCA use agua caliente con este producto.

- Cierre completamente el grifo de agua.
- Desenrolle y enderece la manguera de jardín para eliminar cualquier doblez o torcedura.
- Enjuague el agua a través de la manguera durante varios segundos para eliminar los desechos y luego cierre el grifo nuevamente.
- Inspeccione la pantalla dentro de la entrada de agua en busca de daños u obstrucciones. Limpie o reemplace según sea necesario. **NUNCA** conecte una manguera de jardín sin la pantalla en su lugar.
- Inserte la manguera de jardín en la entrada de agua.
- Enrosque el collar de la entrada en la manguera de jardín. Apriete firmemente.

AVISO

SIEMPRE abra el suministro de agua antes de encender la lavadora a presión. Hacer funcionar la bomba sin agua dañará los componentes internos y hará que la lavadora a presión deje de funcionar.

VISIÓN GENERAL

Esta lavadora a presión puede producir niveles muy altos de presión de agua y se puede usar para una variedad de aplicaciones de limpieza, como la limpieza de cubiertas y pasillos, el lavado de vehículos y equipos; y quitar la suciedad de los exteriores y las cercas de las casas.

ARRANQUE Y PARADA DE LA LAVADORA A PRESIÓN

Vea la figura 13.

- Conecte una manguera de jardín como se describió anteriormente y abra el agua.

AVISO

SIEMPRE abra el suministro de agua antes de encender la lavadora a presión. Hacer funcionar la bomba sin agua dañará los componentes internos y hará que la lavadora a presión deje de funcionar.

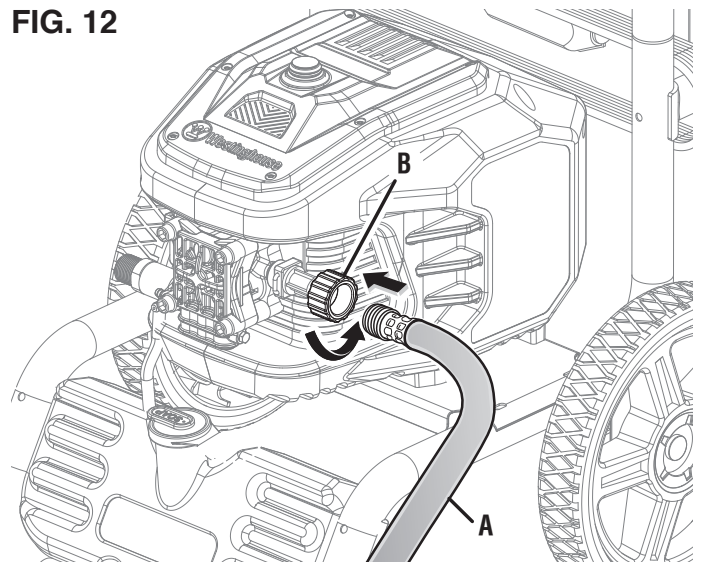
- Conecte una manguera de jardín y abra el agua.
- Desenrolle completamente el cable de alimentación y conéctelo a un tomacorriente de 120 voltios con conexión a tierra.

⚠ ADVERTENCIA

Mantenga todas las conexiones secas y alejadas del suelo. No toque el enchufe con las manos mojadas.

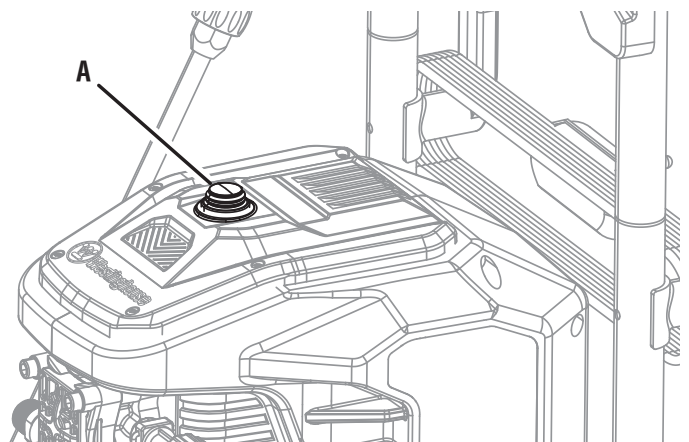
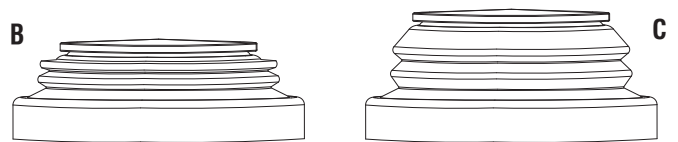
- Sostenga la pistola rociadora con ambas manos y apunte la lanza en una dirección segura.
- Suelte el bloqueo de seguridad y apriete el gatillo para liberar el agua y el aire de la manguera. Continúe apretando el gatillo hasta que haya un chorro constante de agua, luego suelte

FIG. 12



A - Manguera de jardín
B - Entrada de agua

FIG. 13



A - Interruptor encendido / apagado
B - Posición encendido
C - Posición apagado

y bloquee el gatillo. Consulte **Uso de la pistola rociadora** más adelante en esta sección.

- Presione el interruptor de encendido/apagado para encender la lavadora a presión. La unidad funcionará durante varios segundos y se apagará. Esta es una función normal de la función de inicio automático.

NOTA: La unidad podría estar presurizada incluso si no escucha el funcionamiento del motor y la bomba. Siempre tenga cuidado cuando esté cerca de una lavadora a presión.

- Presione el interruptor de encendido/apagado nuevamente para detener la lavadora a presión.

OPERACIÓN

- Cuando detiene la lavadora a presión, la presión del agua puede permanecer en el sistema. Apunte la pistola rociadora en una dirección segura y apriete el gatillo para liberar la presión del agua.

USO DE LA PISTOLA DE PULVERIZACIÓN

Vea la figura 14.



ADVERTENCIA

Sostenga la pistola rociadora y la lanza con las dos manos (una mano para apretar el gatillo y la otra para estabilizar la pistola) hasta que se acostumbre al “retroceso”. No pierda el control de la pistola rociadora. Si lo hace, podría lesionarse a usted mismo y a otras personas.

- Ponga en marcha la lavadora a presión.
- Libere el bloqueo de seguridad empujándolo hacia abajo en la ranura del gatillo.
- Apriete y sostenga el gatillo para iniciar el flujo de agua.
- Suelte el gatillo para detener el flujo de agua.
- Bloquee el gatillo empujándolo hacia arriba hasta su posición original.

NOTA: Apriete el gatillo para asegurarse de que esté bloqueado y no se mueva. SIEMPRE mantenga la pistola rociadora bloqueada cuando no esté en uso.

INSTALACIÓN DE BOQUILLAS

Vea la figura 15.

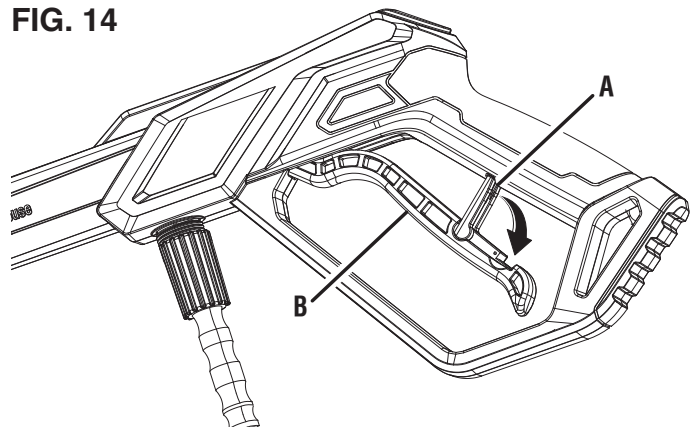


ADVERTENCIA

SIEMPRE apague la lavadora a presión, libere la presión en la pistola rociadora y bloquee el gatillo antes de quitar o instalar una boquilla. NUNCA apunte la lanza a su cara. El incumplimiento de esta advertencia podría resultar en lesiones graves.

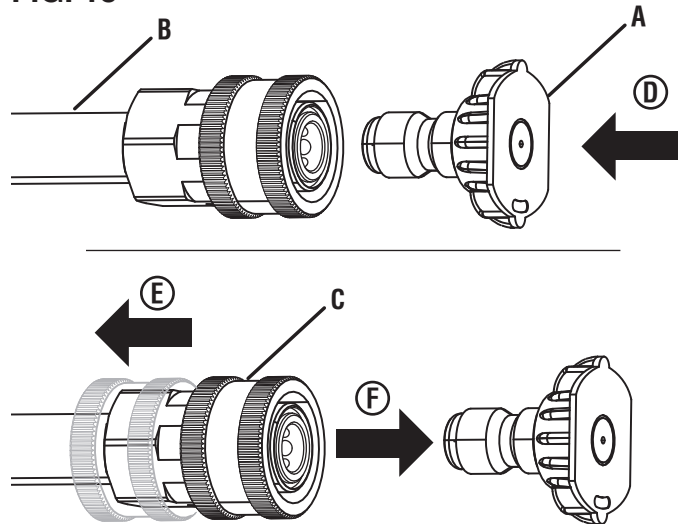
- Detenga la lavadora a presión y cierre completamente el grifo de agua.
- Apunte la pistola rociadora en una dirección segura y apriete el gatillo para liberar la presión del agua.
- Bloquee el gatillo.
- Empuje la boquilla en la lanza hasta que encaje en su lugar y quede segura.
- Para quitar la boquilla, tire del collar hacia atrás y aleje la boquilla de la lanza.

FIG. 14

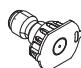

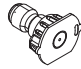
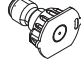
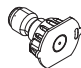


- A - Gatillo
- B - Bloqueo de seguridad

FIG. 15



- A - Boquilla
- B - Lanza
- C - Collar
- D - Empuje la boquilla hacia adentro
- E - Tire del cuello hacia atrás
- F - Quitar boquilla

| BOQUILLA | USO GENERAL |
|---|---|
|  0°  Turbo | Alta Presión. Úselo para limpiar concreto, eliminar manchas difíciles y quitar pintura. Utilizar con precaución. |
|  15°  25° | Presión moderada. Seguro para usar en patios de ladrillo y pavimentados. |
|  Jabón | Baja Presión. Seguro para coches, ventanas y cubiertas. |

OPERACIÓN

LIMPIEZA CON LA LAVADORA A PRESIÓN

Veá las figuras 16 y 17.

Para limpiar con detergente:

- Detenga la lavadora a presión y cierre completamente el grifo de agua.
- Apunte la pistola rociadora en una dirección segura y apriete el gatillo para liberar la presión del agua.
- Instale la boquilla de jabón. Esta unidad aplica detergente a baja presión utilizando únicamente la boquilla de jabón.
- Llene el tanque de jabón con una proporción adecuada de detergente y agua, siguiendo las instrucciones del fabricante del detergente.

NOTA: Use detergentes diseñados para lavadoras a presión. El detergente debe tener la consistencia del agua. **NO** use detergentes espesos y en forma de gel, ya que obstruirán la lavadora a presión y pueden causar daños.

- Abra el agua y encienda la lavadora a presión.
- Apriete el gatillo y espere varios segundos hasta que aparezca detergente en el chorro de agua.
- Comience a limpiar en la parte inferior de la superficie y avance hacia arriba con un movimiento de lado a lado. No permita que el jabón se seque sobre la superficie que se está limpiando.
- Suelte el gatillo para detener la lavadora a presión.
- Deje que el motor se detenga por completo antes de volver a apretar el gatillo.

NOTA: Apretar el gatillo rápidamente hará que la función de inicio automático pierda un ciclo de encendido/apagado y puede evitar que la lavadora se encienda. Use gatillos lentos y deliberados para evitar esto.

- Cuando haya terminado, retire el exceso de detergente del depósito de jabón y llénelo con agua limpia. Rocíe el agua a través de la boquilla de jabón para enjuagar el sistema.

Para limpiar sin detergente:

- Detenga la lavadora a presión y cierre completamente el grifo de agua.
- Apunte la pistola rociadora en una dirección segura y apriete el gatillo para liberar la presión del agua.
- Si está instalado, retire la boquilla de jabón.
- Instale una boquilla adecuada para la tarea que está realizando.
- Abra el agua y encienda la lavadora a presión.
- Libere el bloqueo de seguridad y comience a lavar a presión apretando el gatillo hasta el fondo del mango.

NOTA: Siempre pruebe en un área pequeña y discreta para evitar o reducir el daño.

- Comience a limpiar en la parte inferior de la superficie y avance hacia arriba con un movimiento de lado a lado.

CONSEJOS DE FUNCIONAMIENTO

- Es normal escuchar el funcionamiento intermitente del motor cuando no se aprieta el gatillo. La bomba se está cebando para funcionar cuando se vuelve a apretar el gatillo.
- Para evitar dañar las superficies:

FIG. 16

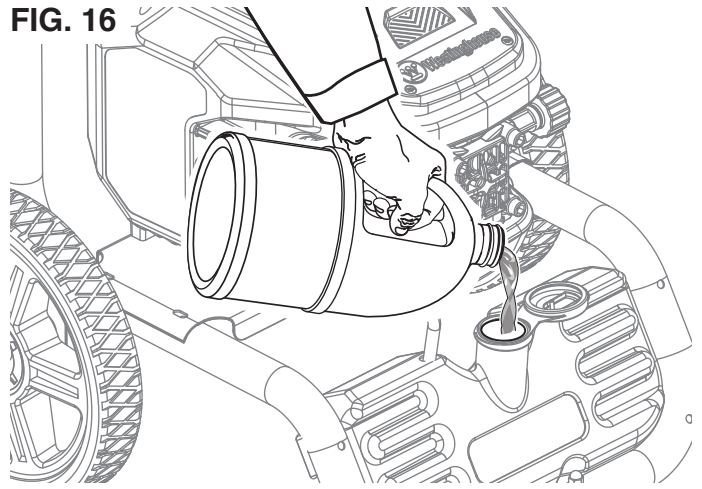
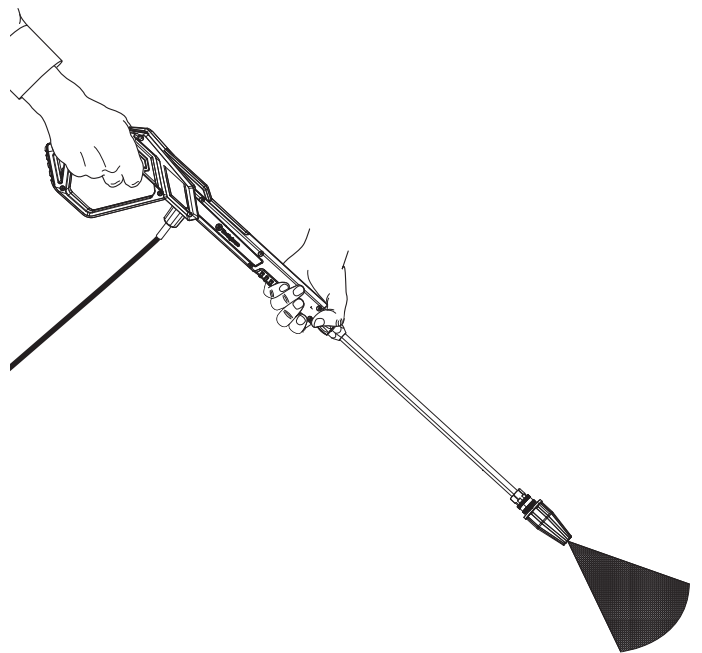


FIG. 17



- Utilice siempre una boquilla adecuada
- Reduzca la presión del agua ajustando el ángulo del chorro o aumentando la distancia desde la boquilla hasta la superficie.
- Siempre rocíe detergente sobre una superficie seca. No remoje previamente la superficie. Mojar primero la superficie diluye el detergente y reduce su capacidad de limpieza.
- Para las manchas difíciles, puede ser necesario volver a aplicar el detergente y usar un cepillo de cerdas para restregar la mancha.
- Mantenga una herramienta de limpieza de boquillas cerca para desatascar las boquillas.
- Las juntas tóricas de la manguera de alta presión deben limpiarse regularmente y lubricarse con grasa no soluble en agua, como vaselina.
- Apague la lavadora a presión después de cinco minutos de inactividad.

CUIDADO Y MANTENIMIENTO

⚠ ADVERTENCIA SIEMPRE apague la lavadora a presión, libere la presión de la pistola rociadora y desconecte la lavadora a presión antes de realizar el mantenimiento.

⚠ ADVERTENCIA Reemplace los elementos dañados o desgastados con piezas de repuesto recomendadas o equivalentes. El uso de una pieza incorrecta o incompatible podría crear un peligro que podría provocar lesiones personales graves.

AVISO Verifique el estado físico del producto antes de cada uso. Busque pernos sueltos, fugas de líquido y otros signos de desgaste. Reemplace todos los artículos dañados. Para piezas de repuesto o asistencia, comuníquese con nuestro equipo de servicio al cliente.

Para prolongar la vida útil de este producto, siga las instrucciones de cuidado y mantenimiento de esta sección. Comuníquese con el servicio de atención al cliente antes de realizar el mantenimiento de piezas retiradas o cubiertas por la garantía.

LIMPIEZA DE LA LAVADORA A PRESIÓN

No almacene ni opere su lavadora a presión en ambientes sucios, polvorientos o corrosivos. No permita que materiales extraños y desechos obstruyan las rejillas de ventilación de la unidad.

NUNCA limpie la lavadora a presión con una manguera de jardín. El agua puede dañar los componentes eléctricos de la lavadora a presión. Si es necesario limpiar la unidad, use un cepillo suave y un paño húmedo para limpiar el exterior y use aire a baja presión (no más de 25 psi) para limpiar las rejillas de ventilación.

Nunca use gasolina como agente de limpieza.

LIMPIEZA DE LAS BOQUILLAS

Vea la figura 18.

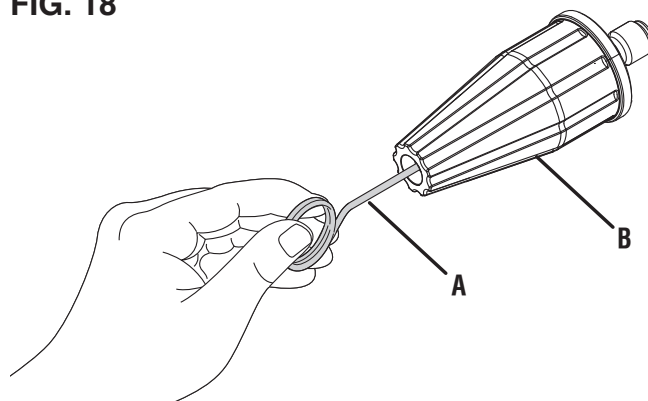
- Detenga la lavadora a presión y cierre completamente el grifo de agua.
- Libere la presión en la pistola rociadora y desenchufe la lavadora a presión.
- Retire la boquilla de la pistola rociadora.
- Utilice una herramienta de limpieza de boquillas o una aguja fina para limpiar los residuos del interior de la boquilla.
- Usando una manguera de jardín, enjuague el agua a través de la boquilla.
- Cuando la boquilla esté limpia, colóquela de nuevo en la lanza o en el área de almacenamiento de la boquilla.

LIMPIEZA DE LAS PANTALLAS DE ENTRADA DE AGUA

Vea la figura 19.

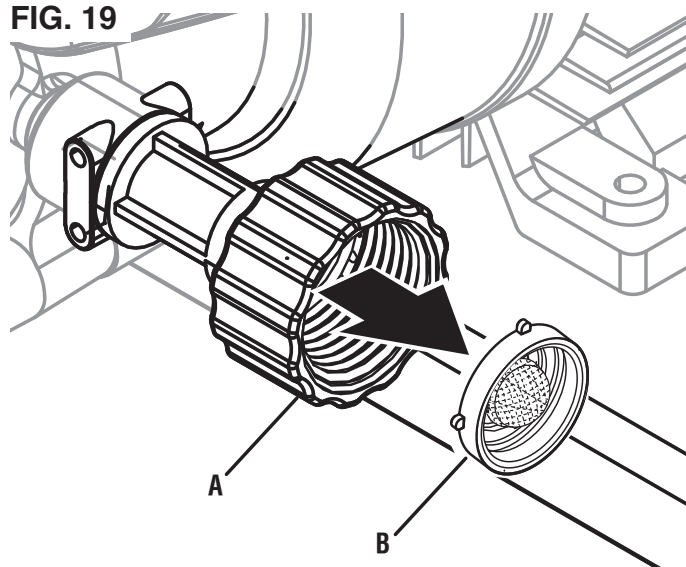
Las pantallas dentro del adaptador de la manguera de jardín deben limpiarse periódicamente. Retire las mallas, enjuáguelas con agua limpia y vuelva a colocarlas en la entrada.

FIG. 18



A - Herramienta de limpieza de boquillas
B - Boquilla turbo

FIG. 19



A - Entrada de agua
B - Pantalla

ALMACENAMIENTO

NOTA: Use protectores de bomba disponibles comercialmente para prolongar la vida útil de la bomba. Siga las instrucciones de uso del fabricante.

- Libere la presión en la pistola rociadora y desenchufe la lavadora a presión. Enrolle el cable alrededor del retenedor del cable.
- Retire la manguera de jardín y guárdela adecuadamente. Incline la lavadora a presión para permitir que el exceso de agua se drene de la entrada.
- Retire todas las boquillas y colóquelas en el área de almacenamiento de boquillas.
- Desconecte la manguera de alta presión y envuélvala alrededor del retén de la manguera.
- Desmonte la pistola rociadora y la lanza, y colóquelas en las fundas de las pistolas.
- Guarde la lavadora a presión en un lugar seco y cubierto, lejos del calor extremo que podría secar los sellos de la bomba y del frío extremo que podría causar daños por congelamiento.

SOLUCIÓN DE PROBLEMAS

Las piezas de mantenimiento se pueden comprar directamente de fábrica. A continuación se incluye una lista parcial de las piezas de mantenimiento. Para obtener una lista completa de las piezas de mantenimiento o para obtener información adicional, envíenos un correo electrónico a service@wpowereq.com o llame al **1-855-944-3571**.

| | |
|--|------------|
| Filtro de entrada | 04000267-0 |
| Boquilla turbo..... | PWTN |
| Kit de boquilla (incluye boquilla de jabón, 0°, 15°, 25°, y 40° boquillas) | 8855 |

⚠ ADVERTENCIA utilice aditamentos o accesorios que no estén recomendados para su uso con este producto. Hacer modificaciones no autorizadas y usar accesorios incompatibles puede dañar la unidad y anular la garantía.

SOLUCIÓN DE PROBLEMAS

| PROBLEMA | CAUSA POSIBLE | CORRECCIÓN |
|---|---|---|
| La unidad no se enciende. | La lavadora a presión no está conectada a una fuente de alimentación o la fuente de alimentación no está conectada a tierra | Conecte el cable de alimentación a una toma de corriente de 120 voltios con conexión a tierra |
| | La presión del agua está en la manguera. | Apriete el gatillo para liberar la presión del agua. |
| | GFCI está disparado | Presione el botón RESET en el cable de alimentación |
| | Motor o cable de alimentación defectuosos. | Comuníquese con el servicio de atención al cliente de Westinghouse al número gratuito 1-855-944-3571. |
| La unidad está funcionando pero no hay flujo de agua. | Fuente de agua inadecuada | Conecte la lavadora a presión a una red de agua. No utilice este dispositivo con agua de un lago, piscina, estanque, etc. |
| | Boquilla obstruida | Limpiar la boquilla |
| | Lanza pulverizadora defectuosa | Reemplace la lanza |
| El agua está goteando donde la manguera se conecta a la pistola rociadora. | Junta tórica defectuosa o faltante entre la manguera de alta presión y la pistola rociadora. | Reemplace la junta tórica. |
| La lavadora a presión se enciende durante 2 segundos, se apaga y no se vuelve a encender. | La función de inicio automático está apagando la unidad. | Cuando se enciende la lavadora a presión, el motor puede funcionar durante 1 a 2 segundos para cebar la bomba. Luego se apagará automáticamente hasta que se apriete el gatillo de la pistola rociadora. Esto es normal y no indica un problema. |

GARANTÍA

WESTINGHOUSE EQUIPOS DE ALIMENTACIÓN AL AIRE LIBRE GARANTÍA LIMITADA DE TRES AÑOS

RESPONSABILIDAD DEL EQUIPO DE ALIMENTACIÓN EXTERIOR DE WESTINGHOUSE

Westinghouse Outdoor Power Equipment LLC ("Westinghouse") garantiza al comprador original que su línea de lavadoras a presión eléctricas Westinghouse estará libre de defectos en materiales y mano de obra. En condiciones normales de uso y mantenimiento a partir de la fecha de compra, Westinghouse acuerda reparar o reemplazar, a discreción exclusiva de Westinghouse, cualquier producto defectuoso sin cargo en cualquier Distribuidor de servicio autorizado de Westinghouse autorizado dentro de las aplicaciones, los plazos, las limitaciones y las exclusiones que se detallan a continuación. ESTA GARANTÍA LIMITADA SE EXTENDE SOLAMENTE AL COMPRADOR ORIGINAL Y NO ES TRANSFERIBLE A LOS PROPIETARIOS POSTERIORES, EXCEPTO POR LAS PARTES RELACIONADAS CON LAS EMISIONES. Para obtener una lista de los distribuidores de servicio autorizados de Westinghouse, consulte www.wpowereq.com o llame al 1-855-944-3571.

RESPONSABILIDAD DEL PROPIETARIO

Para garantizar una cobertura de garantía sin complicaciones, es importante que registre su lavadora a presión eléctrica Westinghouse en línea en www.wpowereq.com, por teléfono automático al 1-855-944-3571, o completando y devolviendo a Westinghouse el registro de garantía tarjeta suministrada con su lavadora a presión. El registro de su producto confirma la cobertura de su garantía y proporciona un enlace directo entre usted y Westinghouse en caso de que sea necesario contactarlo.

Su recibo de compra, incluida la fecha, el modelo y el número de serie, debe mantenerse y presentarse al servicio de atención al cliente de Westinghouse para obtener el servicio de garantía. La prueba de compra recae exclusivamente en usted, el comprador original. Debe demostrar un cuidado y uso razonables y seguir las pautas de mantenimiento preventivo y almacenamiento según lo prescrito en el manual del operador de su unidad Westinghouse. En caso de que ocurra una dificultad con el producto, debe, a su cargo, entregar o enviar su unidad Westinghouse a un concesionario de servicio autorizado para reparaciones de garantía (que debe ocurrir dentro del período de garantía aplicable), y hacer los arreglos para recoger o devolver su unidad después de que se han realizado las reparaciones. Si el comprobante de compra no está disponible para establecer la fecha de compra ni el producto está registrado como se describe en este documento, la fecha de fabricación está registrada.

Para encontrar el distribuidor de servicio autorizado de Westinghouse más cercano a usted, llame al servicio de atención al cliente de Westinghouse al 1-855-944-3571 o visite la página "Localice un distribuidor de servicio" en www.wpowereq.com. Si necesita ayuda o tiene preguntas sobre Westinghouse Declaración de garantía, puede contactarnos en línea en www.wpowereq.com o llamar al 1-855-944-3571.

APLICACIONES DE GARANTÍA DE PRODUCTOS Y PERÍODOS DE GARANTÍA DE PRODUCTOS

APLICACIÓN AL CONSUMIDOR

A los fines de esta garantía limitada, "Aplicación para el consumidor" se refiere al uso por parte del comprador original con el propósito de uso residencial personal o recreativo. Para aquellos que usan este producto para una aplicación de consumo, se aplican los siguientes términos de garantía:

Las piezas y la mano de obra estarán totalmente cubiertas por un período de un año a partir de la fecha de compra.

Las piezas solo estarán completamente cubiertas por un período de dos años a partir de la fecha de compra.

A discreción exclusiva de Westinghouse, ciertos reemplazos estarán completamente cubiertos por un período de tres años a partir de la fecha de compra.

APLICACIÓN COMERCIAL

A los fines de esta garantía limitada, "Aplicación Comercial" significa el uso por parte del comprador original con el fin de generar ingresos, el uso de relaciones comerciales. Una vez que se haya utilizado una lavadora a presión eléctrica Westinghouse para generar ingresos y para fines comerciales, se considerará un producto utilizado para una "Aplicación comercial" y se aplicarán los siguientes términos de garantía:

Las piezas y la mano de obra estarán completamente cubiertas por un período de noventa días a partir de la fecha de compra.

EXCLUSIONES

Los siguientes artículos están excluidos de la cobertura de la garantía:

- Utilización de piezas de repuesto que no sean de Westinghouse, excepto cuando lo autorice Westinghouse por escrito
- Costos de mantenimiento rutinario / normal
- Reparaciones o diagnósticos realizados por un distribuidor de servicio no autorizado, excepto cuando Westinghouse lo autorice por escrito
- Fallos del producto debido al desgaste normal, accidentes, mal uso, abuso, negligencia o uso incorrecto.
- Fallos del producto debido a cualquier causa externa, incluidos, entre otros: colisión, robo, vandalismo, disturbios, guerra, fuego, congelación, rayos, terremotos, tormentas de viento, granizo, daños por agua, daños por inundaciones, daños por tornados, daños relacionados con roedores / plagas o daño por huracán
- Productos que se modifican o alteran de una manera no autorizada por escrito por Westinghouse
- Cualquier daño incidental, consecuente o indirecto causado por defectos en materiales o mano de obra.
- Cualquier daño incidental, consecuente o indirecto causado por la demora en la reparación o reemplazo de piezas defectuosas
- Falla del producto debido a una aplicación incorrecta
- Teléfono, teléfono celular, fax, internet o cualquier otro gasto relacionado con la comunicación \
- Gastos relacionados con la "instrucción del cliente" o la resolución de problemas donde no se encuentra ningún defecto de fabricación
- Flete nocturno o costos de envío especiales para piezas de repuesto.
- Horas extras, vacaciones o costos laborales de emergencia

DESCARGO DE RESPONSABILIDAD DE GARANTÍAS IMPLÍCITAS

Esta garantía limitada reemplaza a todas las demás garantías expresas o implícitas, incluida cualquier garantía de APTITUD PARA UN PROPÓSITO O USO PARTICULAR y cualquier GARANTÍA IMPLÍCITA DE COMERCIABILIDAD aplicable de otra manera a la línea de lavadoras a presión eléctricas de Westinghouse y sus compañías afiliadas no serán responsables de ninguna daños especiales, incidentales o consecuentes, incluida la pérdida de beneficios. No hay garantías extendidas más allá de lo dispuesto en este documento. Esta garantía limitada solo puede ser modificada por Westinghouse Outdoor Power Equipment LLC. Cualquier garantía implícita permitida por la ley estará limitada en duración a los términos de la garantía expresa provista en este documento. Algunos estados no permiten la exclusión o limitación de daños incidentales o consecuentes, por lo que la limitación anterior puede no aplicarse en su caso. Esta garantía le otorga derechos legales específicos. También tiene otros derechos de estado a estado. WESTINGHOUSE OUTDOOR POWER EQUIPMENT LA ÚNICA RESPONSABILIDAD DE LLC SERÁ LA REPARACIÓN O REEMPLAZO COMO SE INDICÓ ARRIBA. EN NINGÚN CASO WESTINGHOUSE SERÁ RESPONSABLE DE NINGÚN DAÑO INCIDENTAL O CONSECUENTE, INCLUSO SI TALES DAÑOS SON UN RESULTADO DIRECTO DE LA NEGLIGENCIA DE MWE INVESTMENTS, LLC. Algunos estados no permiten la exclusión o limitación de daños incidentales o consecuentes, por lo que la limitación anterior puede no aplicarse en su caso.

Esta garantía limitada es otorgada por Westinghouse Outdoor Power Equipment LLC (777 Manor Park Drive, Columbus, OH 43228).

FRANÇAIS

WPX3400e / WPX3000e

NETTOYEUR HAUTE PRESSION ÉLECTRIQUE

3 400 / 3 000 PSI / 1,76 GPM

MANUEL DE L'UTILISATEUR

NE PAS RETOURNER CE PRODUIT AU MAGASIN

Si vous avez des questions ou avez besoin d'aide, veuillez appeler le service client au 855-944-3571.

TABLE DES MATIÈRES

| | |
|---|--------------|
| Introduction..... | 2-3 |
| Sécurité | 4-7 |
| Électrique..... | 8 |
| Composants | 9 |
| Assemblage..... | 10-12 |
| Fonctionnement..... | 13-16 |
| Entretien | 17-18 |
| Dépannage..... | 18 |
| Garantie..... | 19 |
| Hotline de service/adresse de l'entreprise..... | Page arrière |

INTRODUCTION

⚠ AVERTISSEMENT Ce produit et d'autres substances susceptibles de se propager dans l'air suite à son utilisation contiennent des produits chimiques, notamment du plomb, reconnus par l'État de Californie comme pouvant causer le cancer, des malformations congénitales ou d'autres troubles de la reproduction. **Se laver les mains après manipulation.** Pour plus d'informations, rendez-vous sur www.P65warnings.ca.gov.

AVIS DE NON-RESPONSABILITÉ

Toutes les informations, illustrations et spécifications contenues dans ce manuel étaient en vigueur au moment de la publication. Les illustrations utilisées dans ce manuel sont uniquement destinées à servir de vues de référence représentatives. Nous nous réservons le droit d'apporter des modifications aux spécifications ou à la conception sans préavis.

TOUS LES DROITS SONT RÉSERVÉS

Tous les droits sont réservés. Aucune reproduction autorisée sous quelque forme que ce soit sans l'autorisation écrite de Westinghouse Outdoor Power Equipment.



⚠ DANGER Lisez ce manuel avant d'utiliser ou d'effectuer l'entretien de ce produit. Le non-respect des instructions et des consignes de sécurité de ce manuel peut entraîner des blessures graves ou la mort.

MISES À JOUR

Le dernier manuel d'utilisation de vos produits Westinghouse se trouve sous notre onglet d'assistance. wpowereq.com/pages/manuals

Ou scannez le code QR suivant avec l'appareil photo de votre smartphone pour être dirigé vers le lien.



INTRODUCTION

ENREGISTREMENT DU PRODUIT

Pour une couverture de garantie sans problème, il est important d'enregistrer votre produit Westinghouse.

Vous pouvez vous inscrire par :

- Remplir et envoyer la carte d'enregistrement du produit incluse dans le carton.
- Enregistrez votre produit en ligne sur: wpowereq.com/pages/warranty-registration
- Scannez le code QR ci-dessus avec l'appareil photo de votre smartphone pour être dirigé vers le lien d'enregistrement mobile.



Pour vos dossiers

Date d'achat: _____

Numéro de modèle: _____

Numéro de série: _____

Lieu d'achat: _____

- Envoi des informations suivantes sur le produit à :
Warranty registration
777 Manor Park Drive
Columbus, OH 43228

IMPORTANT : Conservez votre reçu d'achat pour une couverture de garantie sans problème.

CARACTÉRISTIQUES WPX3400e

Température de l'eau..... Eau froide uniquement
Pression maximale3 400 PSI
Pression maximale nominale.....3 000 PSI
Débit d'eau maximal..... 2,0 US GPM (7,57 LPM)

Débit d'eau nominal..... 1,1 US GPM (4,16 LPM)
Phase Single
Entrée 120 V, CA uniquement, 60 Hz, 14 A

CARACTÉRISTIQUES WPX3000e

Température de l'eau..... Eau froide uniquement
Pression maximale3 000 PSI
Pression maximale nominale.....2 600 PSI
Débit d'eau maximal..... 1,76 US GPM (6,7 LPM)

Débit d'eau nominal..... 1,1 US GPM (4,16 LPM)
Phase Single
Entrée 120 V, CA uniquement, 60 Hz, 13 A



AVERTISSEMENT

NE JAMAIS pulvériser directement sur une personne, un animal, un appareil électrique ou l'appareil lui-même. Le non-respect de cet avertissement peut entraîner des blessures graves, un choc électrique ou la mort.

AVIS

NE JAMAIS laissez la pompe du nettoyeur haute pression fonctionner pendant plus d'une minute après avoir coupé l'alimentation en eau. Cela peut entraîner une surchauffe et une défaillance du moteur et de la pompe. Déroulez **TOUJOURS** complètement le tuyau d'arrosage et retirez tout objet susceptible de restreindre ou d'empêcher l'écoulement de l'eau vers la machine.

AVIS

Merci d'avoir choisi Westinghouse !
VEUILLEZ LIRE AVANT DE RETOURNER CE PRODUIT POUR QUELQUE RAISON QUE CE SOIT.

Si vous avez une question ou rencontrez un problème avec votre achat Westinghouse, appelez-nous au 1-855-944-3571 pour parler avec un agent.

CONSERVEZ CE MANUEL POUR RÉFÉRENCE ULTÉRIEURE.

AVOIR DES QUESTIONS?
Écrivez-nous à service@wpowereq.com
ou composez le 1-855-944-3571

SÉCURITÉ

DÉFINITIONS DE LA SÉCURITÉ

Les mots DANGER, AVERTISSEMENT, ATTENTION et AVIS sont utilisés tout au long de ce manuel pour mettre en évidence des informations importantes. Assurez-vous que la signification de ces informations de sécurité est connue de tous ceux qui utilisent, effectuent l'entretien ou se trouvent à proximité du nettoyeur haute pression.



Ce symbole d'alerte de sécurité apparaît avec la plupart des déclarations de sécurité. Cela signifie attention, devenez vigilant, votre sécurité est en jeu ! Veuillez lire et respecter le message qui suit le symbole des alertes de sécurité.

DANGER

Indique une situation dangereuse qui, si elle n'est pas évitée, entraînera la mort ou des blessures graves.

AVERTISSEMENT

Indique une situation dangereuse qui, si elle n'est pas évitée, peut entraîner la mort ou des blessures graves.

PRÉCAUTION

Indique une situation dangereuse qui, si elle n'est pas évitée, pourrait entraîner des blessures légères ou modérées.



AVIS

Indique une situation qui peut causer des dommages au groupe électrogène, à des biens personnels et/ou à l'environnement, ou entraîner un mauvais fonctionnement de l'équipement.

NOTE : Indique une procédure, une pratique ou une condition qui doit être suivie pour que le nettoyeur haute pression fonctionne de la manière prévue.

SYMBOLES DE SÉCURITÉ

Suivez toutes les informations de sécurité contenues dans ce manuel de l'utilisateur ainsi que les informations sur l'étiquetage du produit.

| SYMBOLE | DESCRIPTION |
|---|--|
|  | Symbole d'alerte de sécurité |
|  | Risque d'injection |
|  | Construction à double isolation |
|  | Choc électrique |
|  | Risque d'explosion. Ne vaporisez jamais de liquides inflammables. Les liquides inflammables et leurs vapeurs peuvent être explosifs. |
|  | Ne pas utiliser dans des conditions humides |
|  | Lire les instructions du fabricant |
|  | Rebond. |
|  | Porter une protection oculaire et auditive |

CONSIGNES DE SÉCURITÉ IMPORTANTES

⚠ AVERTISSEMENT Pour réduire le risque de blessure, l'utilisateur doit lire et comprendre les instructions avant d'utiliser ce produit.

⚠ AVERTISSEMENT **Risque d'injection de liquide.** Ne vaporisez jamais les humains ou les animaux, car cela pourrait entraîner des blessures. Verrouillez la gâchette lorsque le nettoyeur haute pression n'est pas utilisé.

⚠ AVERTISSEMENT Lors de l'utilisation de ce produit, des précautions de base doivent toujours être suivies, notamment les suivantes :

- **AVERTISSEMENT** — Risque d'injection ou de blessure — Ne pas décharger le jet sur des personnes.
- Prenez **TOUJOURS** le temps de lire toutes les instructions avant d'utiliser le produit.
- Il est recommandé de lire attentivement et de comprendre tous les aspects de fonctionnement du nettoyeur haute pression décrits dans ce manuel pour éviter les blessures et/ou les dommages matériels et pour maximiser votre expérience de lavage sous pression.

- Comprendre et savoir comment arrêter le produit en toute sécurité et purger rapidement les pressions. Familiarisez-vous parfaitement avec toutes les commandes.
- Suivez les instructions d'entretien comme spécifié dans le manuel.
- **N'utilisez PAS** votre nettoyeur haute pression lorsque vous êtes sous l'influence de l'alcool ou de drogues. Utilisez cet outil électrique avec précaution et uniquement lorsque vous êtes vigilant.
- Maintenez la zone d'exploitation à l'écart de toute personne, animal et objet dangereux.
- **NE PAS** dépasser ou se tenir debout sur un support instable. Gardez une bonne assise et un bon équilibre à tout moment.
- **Le nettoyeur haute pression est équipé d'un interrupteur de circuit de fuite à la terre (GFCI) qui réduit considérablement le risque de choc électrique pendant l'utilisation de l'appareil. Si le remplacement de la fiche ou du cordon est nécessaire, n'utilisez que des pièces de rechange identiques.**

CONSERVER CES INSTRUCTIONS POUR FUTURE RÉFÉRENCE.

PROTECTION CONTRE LES DÉFAUTS DE CIRCUIT À LA TERRE

Ce nettoyeur haute pression a un défaut à la terre disjoncteur (GFCI) intégré dans la prise du cordon d'alimentation. Un GFCI offre une protection supplémentaire contre le risque de choc électrique. Si le remplacement de la fiche ou du cordon est nécessaire, utilisez des pièces de rechange identiques qui incluent une protection GFCI.

ENTRETIEN D'UN APPAREIL À DOUBLE ISOLATION

Dans un produit à double isolation, deux systèmes d'isolation sont fournis au lieu de la mise à la terre. Aucun moyen de mise à la terre n'est prévu pour un produit à double isolation, et aucun moyen de mise à la terre ne doit être ajouté au produit. L'entretien d'un produit à double isolation nécessite un soin extrême et une connaissance du système, et ne doit être effectué que par un personnel d'entretien qualifié.

Un produit à double isolation est marqué des mots « **DOUBLE INSULATION** » ou « **DOUBLE INSULATED** ». Ce symbole □ peut également être apposé sur le produit.

SÉCURITÉ

- Le non-respect des instructions contenues dans le(s) manuel(s) d'utilisation peut entraîner la mort, des blessures corporelles et/ou des dommages matériels.
 - Lorsque vous utilisez le nettoyeur haute pression à proximité d'enfants, assurez-vous qu'ils sont étroitement surveillés par un adulte pour éviter les blessures. **NE JAMAIS** laisser un enfant utiliser le nettoyeur haute pression.
 - Ce nettoyeur haute pression est conforme à la CSA et à d'autres normes de sécurité et de consommation. **NE PAS** modifier ou reconstruire une partie de votre nettoyeur haute pression.
 - Surveillez votre équilibre et vos pieds lorsque vous utilisez votre nettoyeur haute pression. Les surfaces deviennent glissantes lorsqu'elles sont mouillées et sont encore plus glissantes lors de l'utilisation d'un détergent ou d'un nettoyant.
 - **N'utilisez JAMAIS** le nettoyeur haute pression pieds nus, en sandales ou avec des chaussures à bout ouvert.
 - **NE** touchez **PAS** le spray haute pression avec vos doigts, vos mains, vos pieds et veillez à éviter tout contact avec vos yeux car le puissant spray peut provoquer la cécité ou des trous de souffle dans la peau.
 - Portez **TOUJOURS** des lunettes de protection pour éviter les blessures aux yeux lorsque vous utilisez le nettoyeur haute pression.
 - Pour éviter les accidents causant des blessures, utilisez **TOUJOURS** le verrou de sécurité de la gâchette lorsque le nettoyeur haute pression n'est pas utilisé, même si la pulvérisation s'arrête un instant.
 - Dirigez le poignée de déclenchement dans une direction sûre lorsque vous commencez à utiliser votre nettoyeur haute pression.
 - **NE JAMAIS** pulvériser directement sur une personne, un animal, un appareil électrique ou l'appareil lui-même. Le nettoyeur haute pression peut briser le verre en cas de contact direct.
 - Tenez le pistolet et la lance à deux mains (une main pour appuyer sur la gâchette et l'autre pour stabiliser le pistolet) jusqu'à ce que vous vous habituiez au « recul ».
 - Lorsque vous arrêtez le nettoyeur haute pression, la pression de l'eau peut rester dans le système. Pour relâcher la pression, pointez le poignée de déclenchement dans une direction sûre et appuyez sur la gâchette.
 - **NE JAMAIS** pulvériser de liquides inflammables.
 - **N'utilisez JAMAIS** le nettoyeur haute pression dans des zones contenant des poussières, des liquides ou des vapeurs combustibles.
 - Examinez régulièrement le tuyau. Remplacer si endommagé. En raison de la haute pression impliquée, il ne peut pas être réparé s'il est coupé ou endommagé.
 - Utilisez uniquement un détergent spécialement formulé pour les nettoyeurs haute pression et suivez les instructions sur l'étiquette du détergent.
 - Le détergent peut être nocif pour la peau, les yeux et les poumons. Soyez prudent lorsque vous manipulez des produits chimiques. Le savon à vaisselle et à lessive est trop épais et obstruera la buse de votre bouteille de détergent.
- AVIS** Rangez le nettoyeur haute pression à l'intérieur dans un environnement chauffé pour empêcher l'eau de l'appareil de geler et de se dilater. Lorsque l'eau gèle et se dilate, la pompe haute pression se fissure et rend le nettoyeur haute pression inutilisable. Il est recommandé d'utiliser un économiseur de pompe (non inclus) pour protéger les pompes du gel et des fissures.
- **N'utilisez JAMAIS** d'eau chaude avec votre nettoyeur haute pression. Cela surchaufferait et endommagerait les joints et les composants de la pompe haute pression qui ne peuvent pas être réparés.
 - **NE JAMAIS** laisser le nettoyeur haute pression "ON" lorsqu'il est sans surveillance.
 - Mettez **TOUJOURS** l'alimentation en eau sur "ON" avant de mettre le nettoyeur haute pression sur "ON". Faire fonctionner la pompe à sec endommagera les composants internes et rendra le nettoyeur haute pression inutilisable.
 - **N'utilisez JAMAIS** une alimentation en eau pour votre nettoyeur haute pression qui dépasse 150 PSI maximum.
 - **Ne débranchez JAMAIS** le tuyau haute pression du nettoyeur haute pression lorsque le système est sous pression.
 - **N'engagez JAMAIS** en permanence les mécanismes de déclenchement du pistolet de pulvérisation.
 - **N'utilisez JAMAIS** le nettoyeur haute pression à moins que tous les composants ne soient correctement et solidement connectés.
 - **Ne laissez JAMAIS** la pompe du nettoyeur haute pression fonctionner pendant plus d'une minute après avoir coupé l'alimentation en eau. Cela peut entraîner une surchauffe et une défaillance du moteur et de la pompe.
 - **N'utilisez JAMAIS** une rallonge électrique.
 - **N'utilisez JAMAIS** une rallonge électrique. Cela augmente le risque de choc électrique pour l'opérateur et la baisse de tension peut causer des dommages permanents au moteur de l'appareil.
 - **N'utilisez JAMAIS** de lances ou d'autres pièces qui ne sont pas compatibles avec cet appareil Westinghouse spécifique.
 - **Ne vaporisez JAMAIS** une prise électrique avec votre nettoyeur haute pression.
 - Inspectez le cordon d'alimentation avant de l'utiliser. **NE PAS** l'utiliser s'il est endommagé.
 - Maintenez toutes les connexions au sec et hors du sol. **NE** touchez **PAS** la fiche avec les mains mouillées.

SÉCURITÉ

Étiquettes et autocollants de sécurité

Les informations suivantes figurent sur les étiquettes et les autocollants de votre nettoyeur haute pression.

① Caractéristiques

(Voir la page 3)

② Symboles de sécurité

(Voir la page 4)

③ Risque d'électrocution

- Inspectez le cordon avant de l'utiliser. Ne pas utiliser si le cordon est endommagé.
- Maintenez toutes les connexions au sec et hors du sol.
- Ne touchez pas la fiche avec les mains mouillées.
- Ce produit est fourni avec un disjoncteur de fuite à la terre intégré dans la fiche du cordon d'alimentation. Si le remplacement de la fiche ou du cordon est nécessaire, n'utilisez que des pièces de rechange identiques.
- Lire le manuel d'instructions avant utilisation.

Westinghouse Westinghouse Outdoor Power Equipment
Columbus Ohio 43228 USA
Made in Vietnam

Model La Maqueta | Modèle WPX3400e

1 Max Pressure Presión Pico | Pression Dr Crête 3400PSI (3400 LB/PO²)

Max Rated Pressure Presión Máxima Nominal | Pression Nominal Máxima 3000PSI (3000 LB/PO²)

Max Water Flow Rate Tasa Máxima de Flujo de Agua | Débit D'eau Maximum 2.0 US GPM (7.57 LPM)

Rated Water Flow Rate Tasa de Flujo de Agua | Débit D'eau Nominal 1.1 US GPM (4.16 LPM)

Rating Clasificación | Évaluation 120V 1PH/Monophasé, AC 60Hz 14A

Serial number

ETL Intertek
5024994
Conforms to UL Std. 1776
Certified to CSA Std. C22.2 No. 68

2

WARNING - DO NOT SPRAY ELECTRICAL APPARATUS AND WIRING.
Use cold water only. Store indoors. For either indoor or outdoor use.

AVERTISSEMENT - NE PAS PULVÉRISER DES APPAREILS ET CÂBLAGES ÉLECTRIQUES.
Utilisez uniquement de l'eau froide. Conserver à l'intérieur. Pour une utilisation intérieure ou extérieure.

WARNING: Cancer and reproductive harm - www.P65Warnings.ca.gov/product
AVERTISSEMENT: Cancer et problèmes de reproduction - www.P65Warnings.ca.gov/product
ADVERTENCIA: Cáncer y daños al sistema reproductor - www.P65Warnings.ca.gov/product

CAUTION To reduce the risk of injury, read owners manual carefully before using.
CAUTION Gun Kicks Back - Hold with both hands. Risk of eye injury. Always use caution. Wear safety goggles with side shields.
WARNING Risk of Injection or injury to persons - Do not direct discharge stream at persons.
DANGER RISK OF ELECTROCUTION.
WARNING Risk of Explosion - Do not spray flammable liquids.

MISE EN GARDE Pour réduire le risque de blessure, lisez attentivement le manuel du propriétaire avant de l'utiliser.
MISE EN GARDE Le pistolet recule - Tenez avec les deux mains. Risque de blessure aux yeux. Soyez toujours prudent, portez des lunettes de sécurité avec écrans latéraux.
AVERTISSEMENT Risque d'injection ou de blessures aux personnes - Ne dirigez pas le jet de décharge vers des personnes.
DANGER RISQUE D'ÉLECTROCUTION.
AVERTISSEMENT Risque d'explosion - Ne vaporisez pas de liquides inflammables.

Inspect Cord Before Using - Do not use if cord is damaged.
Keep all connections dry and off the ground.
Do not touch plug with wet hands.
Double Insulated - When servicing use only identical replacement parts.
This product is provided with a ground fault circuit interrupter (GFCI) built into the power cord plug. If replacement of the plug or cord is needed, use only identical replacement parts.

Inspectez le cordon avant utilisation - Ne pas utiliser si le cordon est endommagé. Maintenez toutes les connexions au sec et hors du sol.
Ne touchez pas la prise avec les mains mouillées.
Double isolation - Lors de l'entretien, n'utilisez que des pièces de rechange identiques.
Ce produit est fourni avec un disjoncteur de fuite à la terre (GFCI) intégré dans la fiche du cordon d'alimentation. Si le remplacement de la fiche ou du cordon est nécessaire, n'utilisez que des pièces de rechange identiques.

BEFORE SERVICING, CLEANING OR REMOVING PARTS, SHUT OFF THE POWER AND RELIEVE THE PRESSURE.
AVANT D'ENTREtenir, DE METTOver OU DE RETIRER DES PIÉCES, COUPEZ L'ALIMENTATION ÉLECTRIQUE ET RELACHEZ LA PRESSION.

3

WARNING:
RISK OF ELECTROCUTION
1. INSPECT CORD BEFORE USING. DO NOT USE IF CORD IS DAMAGED.
2. KEEP ALL CONNECTIONS DRY AND OFF THE GROUND.
3. DO NOT TOUCH THE PLUG WITH WET HANDS.
4. DOUBLE INSULATED - WHEN SERVICING USE ONLY IDENTICAL REPLACEMENT PARTS.
5. THIS PRODUCT IS PROVIDED WITH A GROUND FAULT CIRCUIT INTERRUPTER BUILT INTO THE POWER CORD PLUG. IF REPLACEMENT OF THE PLUG OR CORD IS NEEDED, USE ONLY IDENTICAL REPLACEMENT PARTS.
6. READ INSTRUCTION MANUAL BEFORE USING.

AVERTISSEMENT
RISQUE D'ÉLECTROCUTION
1. INSPECTEZ LE CORDON AVANT DE L'UTILISER. NE PAS UTILISER SI LE CORDON EST ENDOMMAGÉ.
2. GARDEZ TOUTES LES BRANCHEMENTS SECS ET NON AU SOL.
3. NE PAS TOUCHER LA FICHE AVEC LES MAINS MOUILLÉES.
4. À ISOLATION DOUBLE - LORSQUE VOUS EFFECTUEZ DES RÉPARATIONS, UTILISEZ SEULEMENT DES PIÉCES DE REMPLACEMENT IDENTIQUES.

DO NOT REMOVE THIS TAG
NE PAS RETIRER LA PRÉSENTE ÉTIQUETTE.
NO QUITE ESTA ETIQUETA.

AVERTISSEMENT
5. CE PRODUIT EST OFFERT AVEC UN DISJONCTEUR DE FUITE À LA TERRE INTÉGRÉ DANS LA FICHE DU CORDON, SI LE REMPLACEMENT DE LA FICHE OU DU CORDON EST NÉCESSAIRE, UTILISEZ SEULEMENT DES PIÉCES DE REMPLACEMENT IDENTIQUES.
6. LISEZ LE GUIDE D'UTILISATION AVANT D'UTILISER.

ADVERTENCIA:
RIESGO DE ELECTROCUCIÓN
1. REVISE EL CABLE ANTES DE USAR. NO LO USE SI EL CABLE ESTÁ DAÑADO.
2. MANTENGA TODAS LAS CONEXIONES SECAS Y FUERA DEL SUELO.
3. NO TOQUE EL ENCHUFE CON LAS MANOS HÚMEDAS.
4. DOBLE AISLAMIENTO: CUANDO DÉ SERVICIO SÓLO USE PARTES DE REEMPLAZO IDENTICAS.
5. ESTE PRODUCTO SE PROPORCIONA CON UN INTERRUPTOR DE CIRCUITO DE FALLA A TIERRA INTEGRADO EN EL ENCHUFE DEL CABLE DE ENERGÍA. SI SE NECESITA REEMPLAZAR EL ENCHUFE O EL CABLE, UTILICE SOLO PARTES DE REEMPLAZO IDENTICAS.
6. LEA EL MANUAL DE INSTRUCCIONES ANTES DE USAR.

DO NOT REMOVE THIS TAG
NE PAS RETIRER LA PRÉSENTE ÉTIQUETTE.
NO QUITE ESTA ETIQUETA.

Westinghouse Westinghouse Outdoor Power Equipment
Columbus Ohio 43228 USA

Model La Maqueta | Modèle WPX3000e

1 Max Pressure Presión Pico | Pression Dr Crête 3000PSI (3000 LB/PO²)

Max Rated Pressure Presión Máxima Nominal | Pression Nominal Máxima 2600PSI (2600 LB/PO²)

Max Water Flow Rate Tasa Máxima de Flujo de Agua | Débit D'eau Maximum 1.76 US GPM (6.66 LPM)

Rated Water Flow Rate Tasa de Flujo de Agua | Débit D'eau Nominal 1.1 US GPM (4.16 LPM)

Rating Clasificación | Évaluation 120V 1PH/Monophasé, AC 60Hz 13A

Serial number

ETL Intertek
5024994
Conforms to UL Std. 1776
Certified to CSA Std. C22.2 No. 68

2

WARNING - DO NOT SPRAY ELECTRICAL APPARATUS AND WIRING.
Use cold water only. Store indoors. For either indoor or outdoor use.

AVERTISSEMENT - NE PAS PULVÉRISER DES APPAREILS ET CÂBLAGES ÉLECTRIQUES.
Utilisez uniquement de l'eau froide. Conserver à l'intérieur. Pour une utilisation intérieure ou extérieure.

WARNING: Cancer and reproductive harm - www.P65Warnings.ca.gov/product
AVERTISSEMENT: Cancer et problèmes de reproduction - www.P65Warnings.ca.gov/product
ADVERTENCIA: Cáncer y daños al sistema reproductor - www.P65Warnings.ca.gov/product

CAUTION To reduce the risk of injury, read owners manual carefully before using.
CAUTION Gun Kicks Back - Hold with both hands. Risk of eye injury. Always use caution. Wear safety goggles with side shields.
WARNING Risk of Injection or injury to persons - Do not direct discharge stream at persons.
DANGER RISK OF ELECTROCUTION.
WARNING Risk of Explosion - Do not spray flammable liquids.

MISE EN GARDE Pour réduire le risque de blessure, lisez attentivement le manuel du propriétaire avant de l'utiliser.
MISE EN GARDE Le pistolet recule - Tenez avec les deux mains. Risque de blessure aux yeux. Soyez toujours prudent, portez des lunettes de sécurité avec écrans latéraux.
AVERTISSEMENT Risque d'injection ou de blessures aux personnes - Ne dirigez pas le jet de décharge vers des personnes.
DANGER RISQUE D'ÉLECTROCUTION.
AVERTISSEMENT Risque d'explosion - Ne vaporisez pas de liquides inflammables.

Inspect Cord Before Using - Do not use if cord is damaged.
Keep all connections dry and off the ground.
Do not touch plug with wet hands.
Double Insulated - When servicing use only identical replacement parts.
This product is provided with a ground fault circuit interrupter (GFCI) built into the power cord plug. If replacement of the plug or cord is needed, use only identical replacement parts.

Inspectez le cordon avant utilisation - Ne pas utiliser si le cordon est endommagé. Maintenez toutes les connexions au sec et hors du sol.
Ne touchez pas la prise avec les mains mouillées.
Double isolation - Lors de l'entretien, n'utilisez que des pièces de rechange identiques.
Ce produit est fourni avec un disjoncteur de fuite à la terre (GFCI) intégré dans la fiche du cordon d'alimentation. Si le remplacement de la fiche ou du cordon est nécessaire, n'utilisez que des pièces de rechange identiques.

BEFORE SERVICING, CLEANING OR REMOVING PARTS, SHUT OFF THE POWER AND RELIEVE THE PRESSURE.
AVANT D'ENTREtenir, DE METTOver OU DE RETIRER DES PIÉCES, COUPEZ L'ALIMENTATION ÉLECTRIQUE ET RELACHEZ LA PRESSION.

DOUBLE ISOLATION

La double isolation élimine le besoin d'un cordon d'alimentation à trois fils avec mise à la terre. Les produits à double isolation n'ont pas besoin d'être mis à la terre car les pièces métalliques exposées sont recouvertes d'une isolation protectrice qui les isole des composants métalliques internes du moteur.

⚠ AVERTISSEMENT Un système à double isolation est conçu pour protéger contre les chocs causés par une rupture de l'isolation interne du produit. Pour éviter les chocs électriques, suivez toutes les procédures de sécurité ordinaires.

NOTE : Les produits à double isolation ne doivent être réparés que par des techniciens de service qualifiés. Pour plus d'informations, contactez le service client Westinghouse sans frais au 1-855-944-3571.

MOTEUR CA

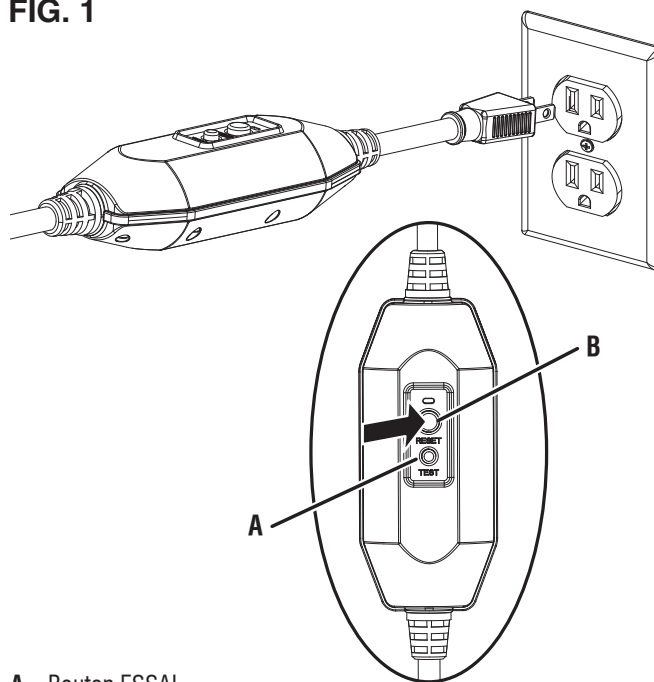
Le moteur électrique de ce produit a été conçu pour fonctionner avec **une alimentation CA nominale de 120 V/60 Hz (circuit domestique américain moyen)**. Il n'est pas destiné à fonctionner sur courant continu (DC). Une chute de tension importante entraînera une perte de puissance et pourrait endommager le moteur.

PROTECTION CONTRE LES DÉFAUTS DE CIRCUIT À LA TERRE

Voir la figure 1.

Ce nettoyeur haute pression est équipé d'un disjoncteur de fuite à la terre (GFCI) intégré dans la fiche du cordon d'alimentation. Un GFCI protège contre les courants de défaut à la terre tels qu'un courant qui traverserait une personne debout sur une surface humide tout en tenant un produit avec une isolation défectueuse. Les fiches GFCI ne protègent pas contre les chocs, les courts-circuits et les surcharges. Si le remplacement de la fiche ou du cordon est nécessaire, utilisez des pièces de rechange identiques qui incluent une protection GFCI.

FIG. 1



A - Bouton ESSAI
B - Bouton RÉINITIALISER

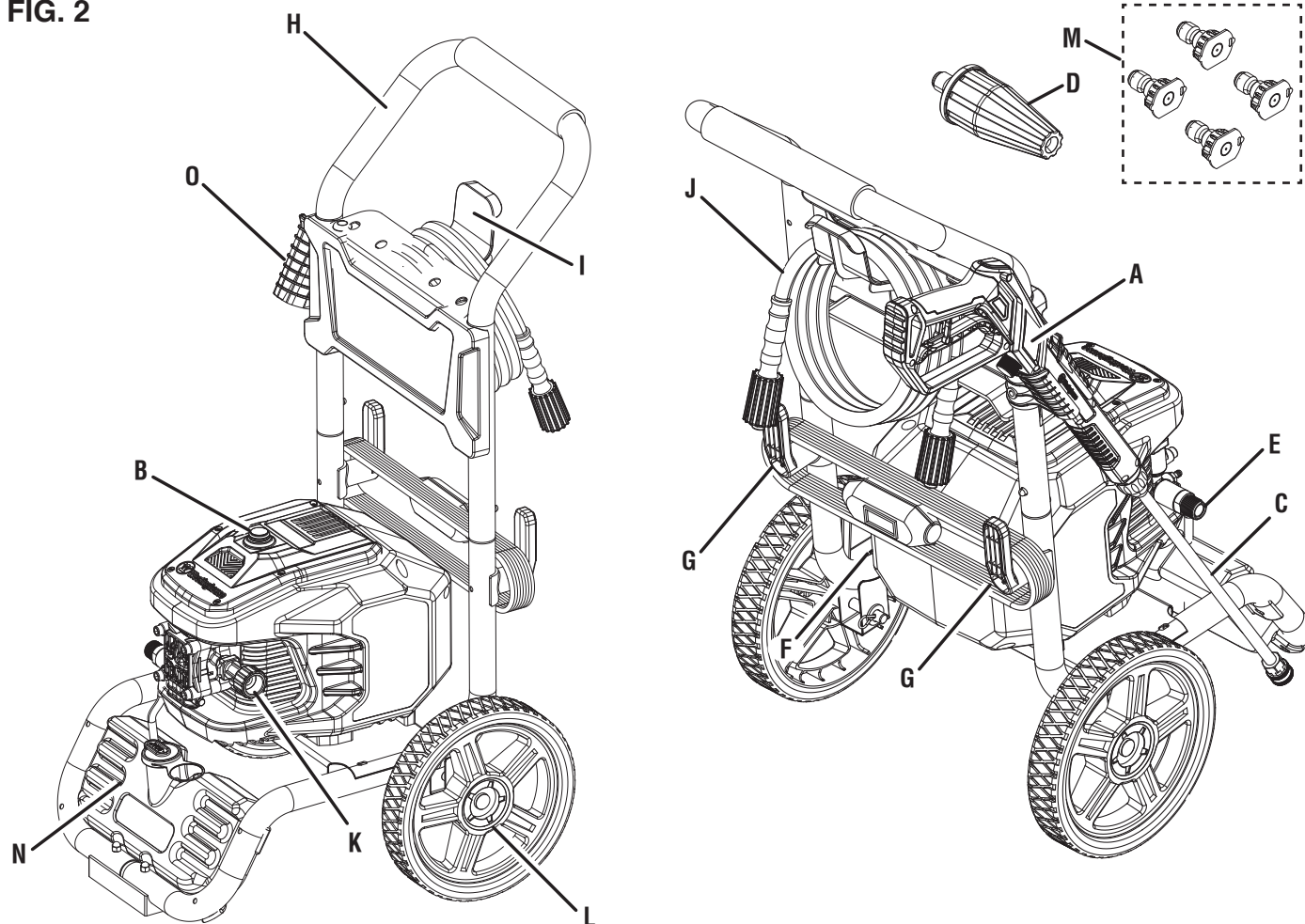
Pour tester le GFCI :

- Branchez le cordon d'alimentation dans une prise.
- Appuyez sur le bouton TEST et écoutez un "clic" indiquant que la connexion à l'alimentation électrique a été interrompue.
- Appuyez sur le bouton RESET pour rétablir l'alimentation de l'appareil. Le voyant LED s'allume lorsque l'alimentation est rétablie.

Testez le GFCI tous les mois pour vous assurer de son bon fonctionnement.

COMPOSANTS

FIG. 2



A - Poignée de déclenchement
 B - Bouton marche/arrêt
 C - Lance
 D - Buse turbo
 E - Sortie fileté

F - Cordon d'alimentation
 G - Retenue de cordon
 H - Poignée
 I - Retenue de tuyau
 J - Tuyau haute pression

K - Entrée d'eau
 L - Roulette
 M - Buses
 N - Réservoir de savon
 O - Support de poignée de déclenchement

COMPRENDRE VOTRE NETTOYEUR HAUTE PRESSION

Voir la figure 2.

Pour réduire le risque de blessure et de défaillance du produit, lisez et comprenez les informations contenues dans ce manuel de l'utilisateur ainsi que les informations sur l'étiquetage du produit.

CORDON DE RETENUE

Lorsqu'il n'est pas utilisé, enroulez le cordon d'alimentation et suspendez-le sur le côté du nettoyeur haute pression.

POIGNÉE

Utilisez la poignée pour transporter l'appareil.

FLEXIBLE HAUTE PRESSION

Le tuyau haute pression inclus avec cet appareil est léger, flexible et durable. Lorsqu'il n'est pas utilisé, le tuyau peut être rangé sur le support de tuyau.

BUSES

Des buses de différentes tailles sont incluses avec cet appareil et peuvent être utilisées pour différentes applications de nettoyage.

BOUTON MARCHE/ARRÊT

Appuyez une fois pour démarrer le nettoyeur haute pression. Appuyez à nouveau pour arrêter le nettoyeur haute pression.

RÉSERVOIR DE SAVON

Utilisez le réservoir de savon pour ajouter du détergent.

POIGNÉE DE DÉCLENCHEMENT

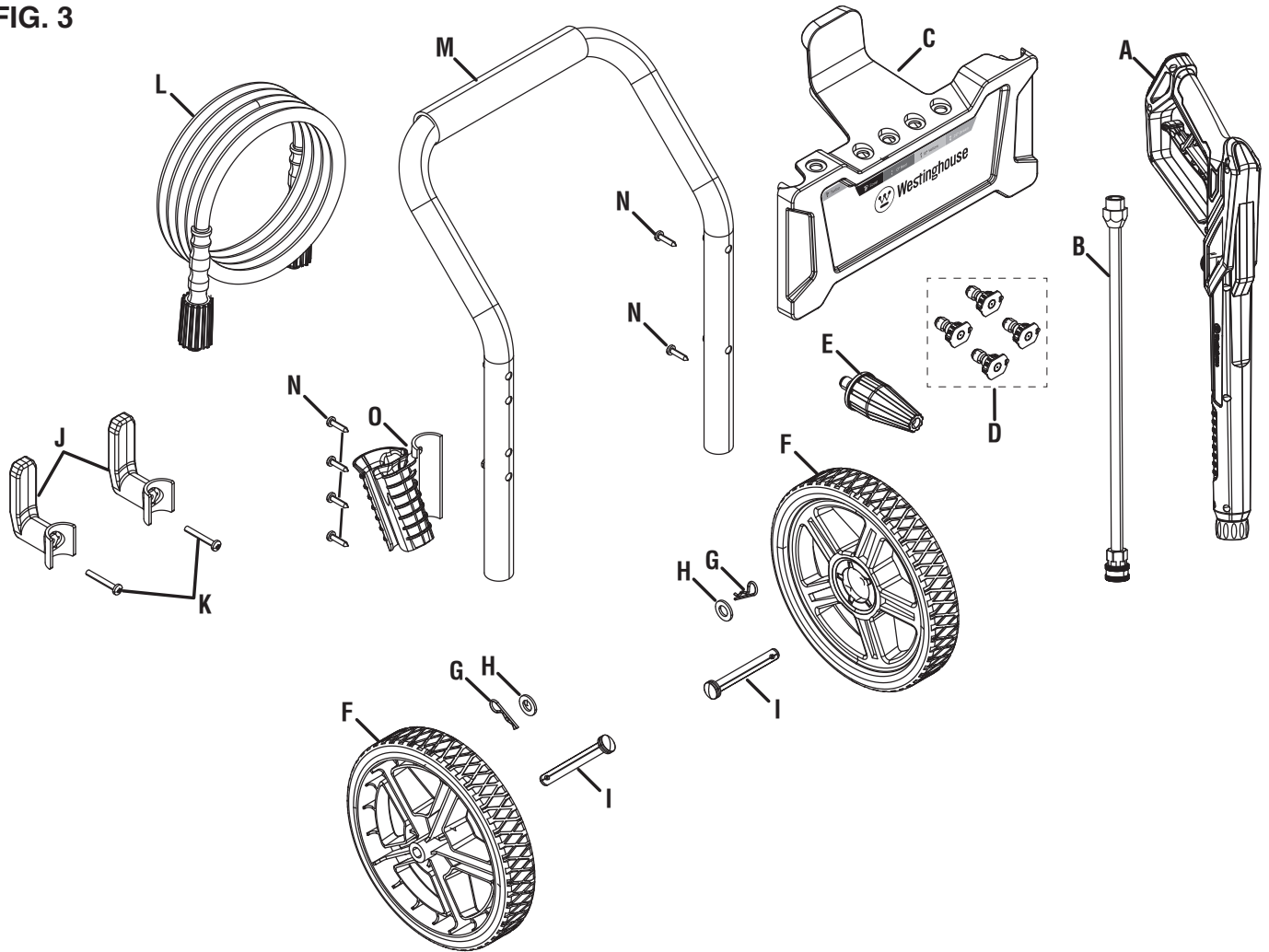
Utilisez la poignée de déclenchement et la lance pour contrôler et diriger le jet d'eau.

BUSE TURBO

La buse turbo offre un puissant jet rotatif à 0° qui nettoie de grandes surfaces plus rapidement que les buses standard.

ASSEMBLAGE

FIG. 3



A - Poignée de déclenchement
 B - Lance
 C - Retenue de tuyau
 D - Buses
 E - Buse turbo

F - Roues
 G - Goupille d'attelage
 H - Rondelle
 I - Essieu
 J - Retenue de cordon

K - Boulon
 L - Tuyau haute pression
 M - Poignée
 N - Vis
 O - Étui à pistolet



AVERTISSEMENT

Ne connectez pas le nettoyeur haute pression à une source d'alimentation tant qu'il n'est pas entièrement assemblé. Pour éviter tout démarrage accidentel et d'éventuelles blessures graves, ne branchez une alimentation électrique que lorsque le nettoyeur haute pression est prêt à l'emploi.

RETRAIT DU CONTENU DU CARTON



AVERTISSEMENT

Ce produit nécessite un assemblage. N'essayez pas de faire fonctionner ce produit si des éléments de la **LISTE INCLUS** sont déjà assemblés lorsque vous retirez le contenu du carton. Ces articles ne sont pas assemblés par le fabricant et doivent être assemblés par le client. L'utilisation d'un produit mal assemblé peut être dangereuse et entraîner des blessures graves.

- Coupez soigneusement les côtés de l'emballage et retirez le contenu du carton.
- Inspectez le contenu du dessin animé. Vérifiez que tous les éléments de la **LISTE INCLUS** sont présents et en bon état.
- Recyclez ou éliminez correctement les matériaux d'emballage

LISTE INCLUSE

Voir la figure 3.

Nettoyeur haute pression, poignée de déclenchement, lance, étui de pistolet supérieur, étui de pistolet inférieur, retenue de tuyau, retenue de cordon, buses (0°, 15°, 25° et savon), buse turbo, tuyau haute pression, roulettes, guide de démarrage rapide, manuel d'utilisation

Si des pièces manquent, contactez notre équipe de service à service@wpowereq.com ou appelez le 1-855-944-3571.

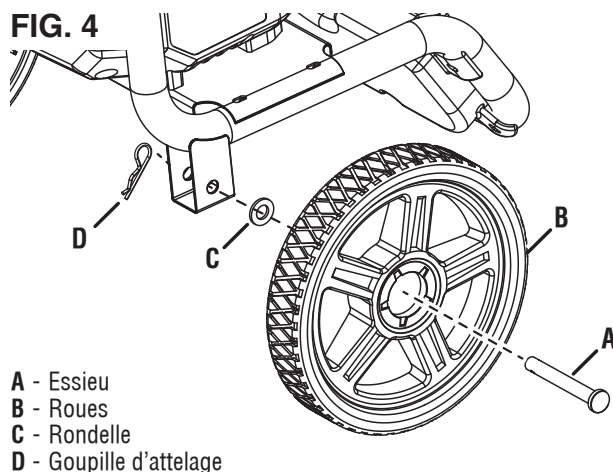
ASSEMBLAGE

INSTALLATION DES ROUES

Voir la figure 4.

- Placez le nettoyeur haute pression sur une surface plane.
- Soulevez l'arrière du nettoyeur haute pression suffisamment haut pour accéder au bas du châssis.
- Placez des accessoires sous le nettoyeur haute pression pour servir de support temporaire.
- Localisez les essieux, les roues, les rondelles et les goupilles d'attelage.
- Insérez un axe au milieu d'une roue, d'une rondelle et du cadre, comme illustré.
- Poussez une goupille d'attelage dans l'essieu jusqu'à ce que le centre de la goupille repose contre le haut de l'essieu.
- Répétez ces étapes pour installer une autre roue.

FIG. 4



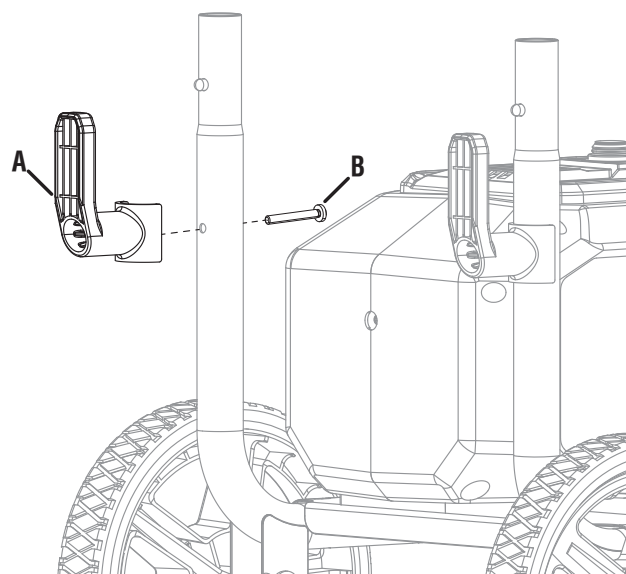
- A - Essieu
- B - Roues
- C - Rondelle
- D - Goupille d'attelage

FIXATION DU CORDON DE RETENUE

Voir la figure 5.

- Alignez les trous du dispositif de retenue du cordon avec les trous du cadre.
- NOTE :** Installez le dispositif de retenue du cordon vers le haut, comme illustré.
- Insérez un boulon à travers le cadre et le dispositif de retenue du cordon. Serrez pour sécuriser.

FIG. 5



- A - Retenue de cordon
- B - Boulon

INSTALLATION DE LA POIGNÉE

Voir la figure 6.



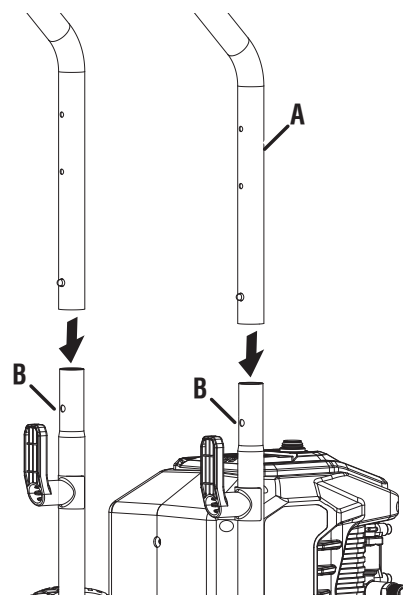
PRÉCAUTION

Lors de la fixation de la poignée au cadre, soyez prudent afin d'éviter de vous pincer les doigts ou les mains.

- Faites glisser la poignée sur le cadre jusqu'à ce qu'elle entre en contact avec les boutons.
- Appuyez sur les boutons et continuez à faire glisser la poignée vers le bas en place.
- Tirez la poignée vers le haut jusqu'à ce que les boutons s'enclenchent dans les trous de la poignée.

NOTE : Assurez-vous que la poignée est sécurisée avant l'utilisation.

FIG. 6



- A - Poignée
- B - Bouton

ASSEMBLAGE

FIXATION DE L'ÉTUI DE RETENUE DE TUYAU ET DE LA POIGNÉE DE DÉCLENCHEMENT

Voir les figures 7 et 8.

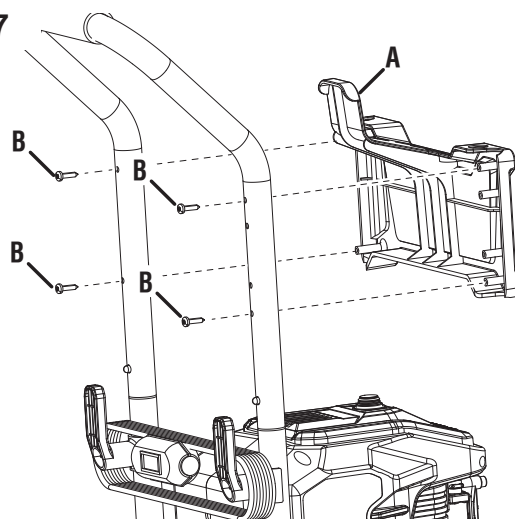
- Alignez les tiges du support de tuyau avec les trous du cadre.
- Appuyez sur le dispositif de retenue du tuyau sur le cadre et poussez les poteaux dans le trou.
- Installez les vis et serrez fermement.
- Placez l'étui du pistolet à l'arrière de la poignée comme indiqué.
- Installez les vis et serrez fermement.

CONNEXION DE LA LANCE AU POIGNÉE DE DÉCLENCHEMENT

Voir la figure 9.

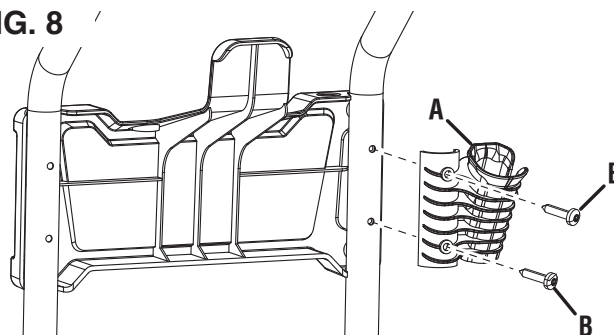
- Poussez la lance dans le poignée de déclenchement et tournez dans le sens des aiguilles d'une montre pour serrer. **Ne pas trop serrer.**
- Tirez doucement sur la lance pour vous assurer qu'elle est bien fixée.
- Si vous le souhaitez, placez les buses, le poignée de déclenchement, la lance et le cordon d'alimentation dans leurs zones de stockage.

FIG. 7



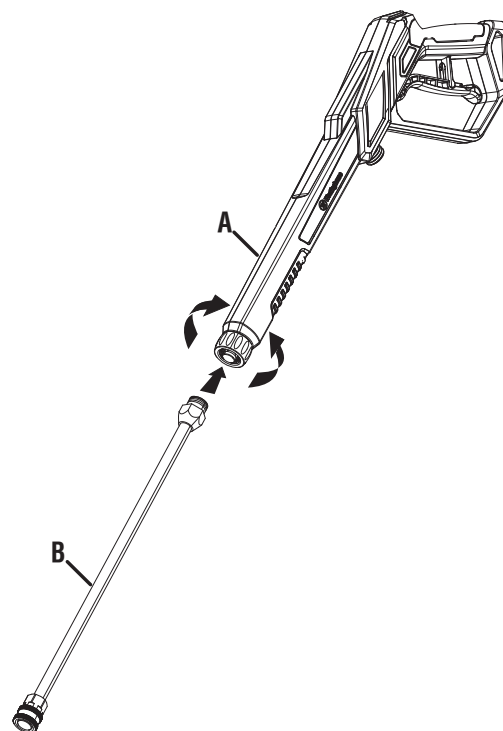
A - Retenue de tuyau
B - Vis

FIG. 8



A - Étui à pistolet
B - Vis

FIG. 9



A - Poignée de déclenchement
B - Lance

FONCTIONNEMENT

⚠ AVERTISSEMENT Ne pas altérer ou modifier ce produit à moins d'indication contraire dans ce manuel ou par le fabricant. N'utilisez pas de pièces jointes ou d'accessoires qui ne sont pas recommandés pour une utilisation avec ce produit. Toute modification non autorisée et l'utilisation d'accessoires incompatibles peuvent endommager l'appareil et annuler votre garantie.

⚠ AVERTISSEMENT Portez **TOUJOURS** des lunettes de protection pour éviter les blessures aux yeux lorsque vous utilisez le nettoyeur haute pression.

⚠ AVERTISSEMENT **NE JAMAIS** pulvériser directement sur une personne, un animal, un appareil électrique ou l'appareil lui-même. Le non-respect de cet avertissement peut entraîner des blessures graves, un choc électrique ou la mort.

⚠ AVERTISSEMENT **TOUJOURS** mettre l'interrupteur marche/arrêt en position d'arrêt lorsque l'appareil n'est pas utilisé.

RACCORDER LA LANCE AU PISTOLET DE PULVÉRISATION

Voir la figure 10.

- Poussez la lance dans le poignée de déclenchement et tournez dans le sens des aiguilles d'une montre pour serrer. **Ne pas trop serrer.**
- Tirez doucement sur la lance pour vous assurer qu'elle est bien fixée.

NOTE : Faites attention à ne pas endommager les filetages de la poignée de déclenchement, car cela pourrait provoquer une fuite de la poignée de déclenchement pendant l'utilisation.

- Tirez doucement sur le tuyau pour vous assurer qu'il est bien fixé.

RACCORDEMENT DU TUYAU HAUTE PRESSION AU NETTOYEUR HAUTE PRESSION

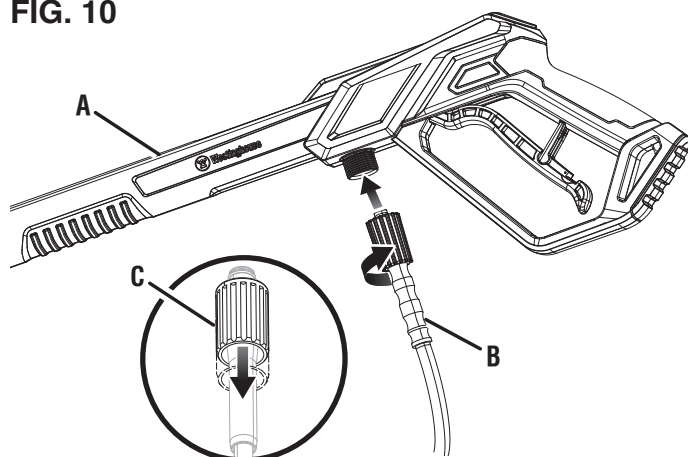
Voir la figure 11.

- Déroulez et redressez le flexible haute pression pour éliminer les coudes ou les plis.
- Tirez le collier du tuyau haute pression vers l'arrière et poussez fermement le raccord du tuyau dans la sortie fileté du nettoyeur haute pression.
- Visser le collier sur la sortie et bien serrer.

NOTE : Veillez à ne pas endommager les filetages de la sortie car cela pourrait entraîner une fuite de l'appareil pendant l'utilisation.

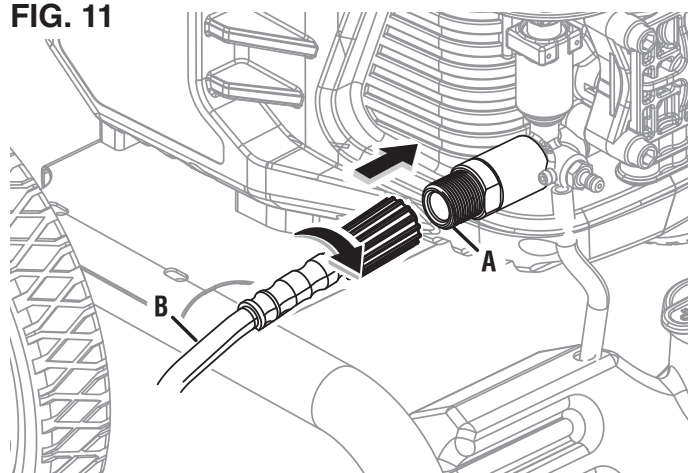
- Tirez doucement sur le tuyau pour vous assurer qu'il est bien fixé.

FIG. 10



A - Poignée de déclenchement
B - Tuyau haute pression
C - Collier

FIG. 11



A - Sortie fileté
B - Tuyau haute pression

RACCORDEMENT D'UN TUYAU D'ARROSAGE AU NETTOYEUR HAUTE PRESSION

Voir la figure 12.

AVIS

Suivez les réglementations et ordonnances locales lors du raccordement de votre nettoyeur haute pression à une alimentation en eau. Certaines juridictions peuvent vous interdire de vous connecter directement à l'eau potable publique afin d'éviter la possibilité de retour de produits chimiques dans le système. Les raccordements effectués via un clapet anti-retour ou un réservoir récepteur sont généralement autorisés.

FONCTIONNEMENT

AVIS

L'eau utilisée dans cet appareil doit provenir d'une conduite d'eau principale. Ne pas utiliser cet appareil avec de l'eau provenant d'un lac, d'une piscine, d'un étang, etc. NE JAMAIS utilisez d'eau chaude avec ce produit.

- Fermez complètement le robinet d'eau.
- Déroulez et redressez le tuyau d'arrosage pour éliminer les coudes ou les plis.
- Faites couler de l'eau dans le tuyau pendant plusieurs secondes pour éliminer les débris, puis fermez à nouveau le robinet.
- Inspectez l'écran à l'intérieur de l'entrée d'eau pour des dommages ou des obstructions. Nettoyer ou remplacer au besoin. NE JAMAIS branchez un tuyau d'arrosage sans l'écran en place.
- Insérez le tuyau d'arrosage dans l'entrée d'eau.
- Vissez le collier de l'entrée sur le tuyau d'arrosage. Bien serrer.

AVIS

Mettez TOUJOURS l'alimentation en eau sur "ON" avant de mettre le nettoyeur haute pression sur "ON". Faire fonctionner la pompe à sec endommagera les composants internes et rendra le nettoyeur haute pression inutilisable.

APERÇU

Ce nettoyeur haute pression peut produire des niveaux de pression d'eau très élevés et peut être utilisé pour une variété d'applications de nettoyage telles que le nettoyage des terrasses et des passerelles, le lavage des véhicules et de l'équipement ; et enlever la saleté des extérieurs et des clôtures de la maison.

DÉMARRAGE ET ARRÊT DU NETTOYEUR HAUTE PRESSION

Voir la figure 13.

- Raccordez un tuyau d'arrosage comme décrit précédemment et ouvrez l'eau.

AVIS

Mettez TOUJOURS l'alimentation en eau sur "ON" avant de mettre le nettoyeur haute pression sur "ON". Faire fonctionner la pompe à sec endommagera les composants internes et rendra le nettoyeur haute pression inutilisable.

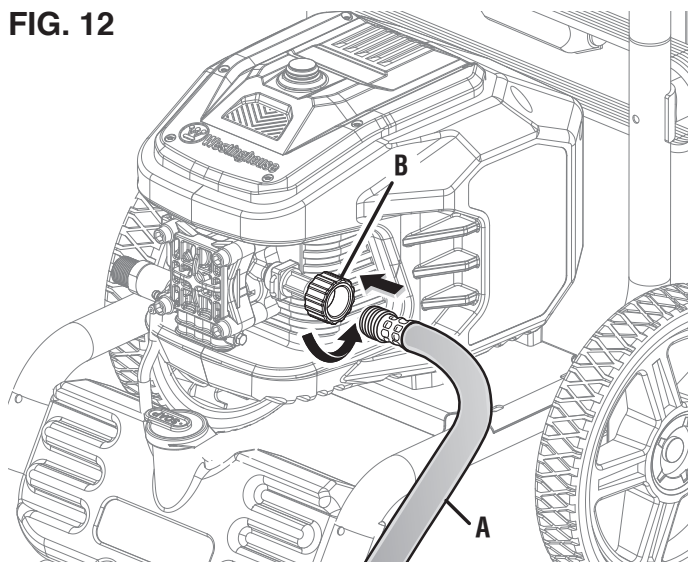
- Connect a garden hose and turn the water on.
- Completely unwind the power cord and connect it to a grounded 120 volt outlet.

⚠ AVERTISSEMENT

Maintenez toutes les connexions au sec et hors du sol. Ne touchez pas la fiche avec les mains mouillées.

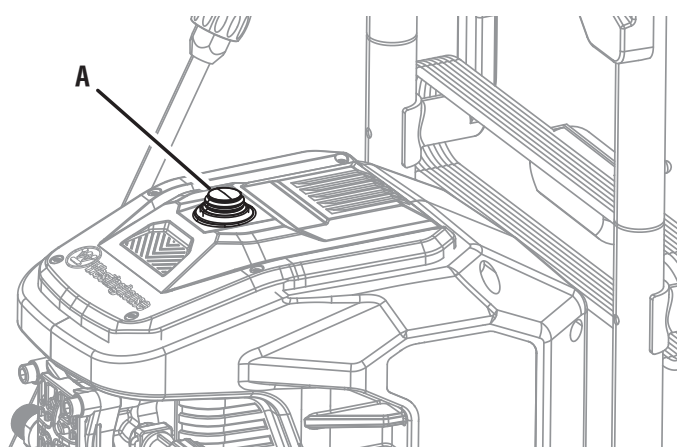
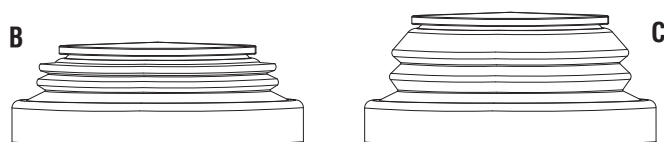
- Tenez le poignée de déclenchement à deux mains et pointez la lance dans une direction sûre.
- Relâchez le verrou de sécurité et appuyez sur la gâchette pour libérer l'eau et l'air du tuyau. Continuez à appuyer

FIG. 12



A - Tuyau d'arrosage
B - Entrée d'eau

FIG. 13



A - Bouton marche/arrêt
B - Position marche
C - Position arrêt

sur la gâchette jusqu'à ce qu'il y ait un jet d'eau régulier, puis relâchez et verrouillez la gâchette. Reportez-vous à **Utilisation du poignée de déclenchement** plus loin dans cette section.

- Appuyez sur l'interrupteur marche/arrêt pour démarrer le nettoyeur haute pression. L'appareil fonctionnera pendant plusieurs secondes et s'éteindra. Il s'agit d'une fonction normale de la fonction de démarrage automatique.

NOTE : L'unité peut être sous pression même si vous n'entendez pas le moteur et la pompe fonctionner. Soyez toujours prudent lorsque vous êtes à proximité d'un nettoyeur haute pression.

FONCTIONNEMENT

- Appuyez à nouveau sur l'interrupteur marche/arrêt pour arrêter le nettoyeur haute pression.
- Lorsque vous arrêtez le nettoyeur haute pression, la pression de l'eau peut rester dans le système. Dirigez le pistolet de pulvérisation dans une direction sûre et appuyez sur la gâchette pour relâcher la pression de l'eau.

UTILISATION DU PISTOLET DE PULVÉRISATION

Voir la figure 14.

⚠ AVERTISSEMENT Tenez le pistolet et la lance à deux mains (une main pour appuyer sur la gâchette et l'autre pour stabiliser le pistolet) jusqu'à ce que vous vous habituez au "recul". Ne perdez pas le contrôle du poignée de déclenchement car vous pourriez vous blesser ou blesser d'autres personnes.

- Démarrez le nettoyeur haute pression.
- Libérez le verrou de sécurité en le poussant vers le bas dans la fente de la gâchette.
- Pressez et maintenez la gâchette pour démarrer l'écoulement de l'eau.
- Relâchez la gâchette pour arrêter le débit d'eau.
- Verrouillez la gâchette en la poussant jusqu'à sa position d'origine.

NOTE : Appuyez sur la gâchette pour vous assurer qu'elle est verrouillée et qu'elle ne bougera pas. Gardez TOUJOURS le poignée de déclenchement verrouillé lorsqu'il n'est pas utilisé.

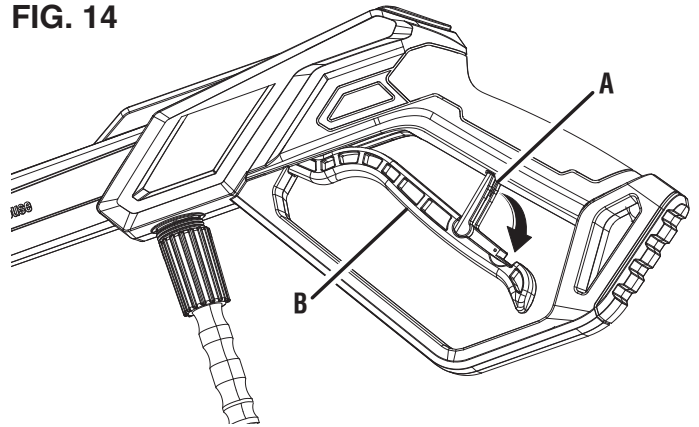
INSTALLATION DE BUSES

Voir la figure 15.

⚠ AVERTISSEMENT Éteignez TOUJOURS le nettoyeur haute pression, relâchez la pression dans le poignée de déclenchement et verrouillez la gâchette avant de retirer ou d'installer une buse. NE JAMAIS pointez la lance vers votre visage. Le non-respect de cet avertissement peut entraîner des blessures graves.

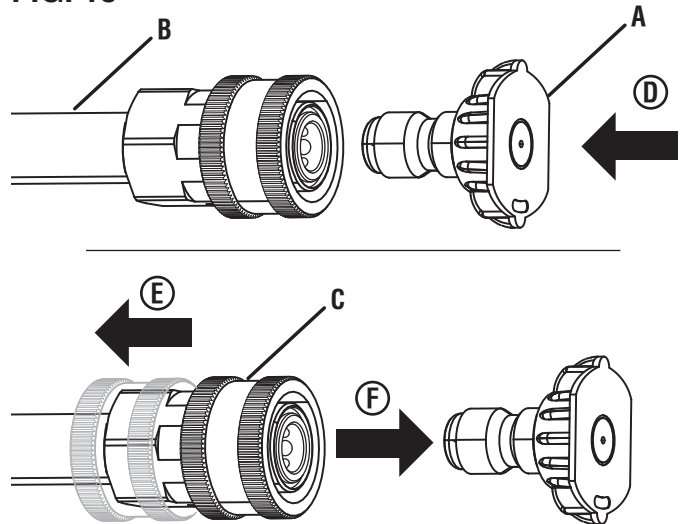
- Arrêtez le nettoyeur haute pression et fermez complètement le robinet d'eau.
- Dirigez le pistolet de pulvérisation dans une direction sûre et appuyez sur la gâchette pour relâcher la pression de l'eau.
- Verrouillez la gâchette.
- Poussez la buse dans la lance jusqu'à ce qu'elle s'enclenche et soit sécurisée.
- Pour retirer la buse, tirez le collier vers l'arrière et éloignez la buse de la lance.

FIG. 14

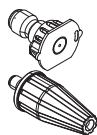
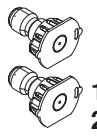
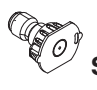


A - Gâchette
B - Verrou de sécurité

FIG. 15



A - Buse
B - Lance
C - Collier
D - Enfoncez la buse
E - Tirer le col vers l'arrière
F - Retirer la buse

| BUSE | UTILISATION GENERALE |
|---|---|
|  <p>0° Turbo</p> | <p>Haute pression. Utiliser pour nettoyer le béton, enlever les taches tenaces et décaper la peinture. Utiliser avec précaution.</p> |
|  <p>15° 25°</p> | <p>Pression modérée. Sûr à utiliser sur les patios en briques et pavés.</p> |
|  <p>Savon</p> | <p>Basse pression. Sans danger pour les voitures, les fenêtres et les terrasses.</p> |

FONCTIONNEMENT

NETTOYAGE AU NETTOYEUR HAUTE PRESSION

Voir les figures 16 et 17.

Pour nettoyer avec un détergent :

- Arrêtez le nettoyeur haute pression et fermez complètement le robinet d'eau.
- Dirigez le pistolet de pulvérisation dans une direction sûre et appuyez sur la gâchette pour relâcher la pression de l'eau.
- Installez la buse de savon. Cet appareil applique le détergent sous basse pression en utilisant uniquement la buse de savon.
- Remplissez le réservoir de savon avec un rapport détergent/eau correctement formulé, en suivant les instructions du fabricant du détergent.

NOTE : Utilisez des détergents conçus pour les nettoyeurs haute pression. Le détergent doit avoir la consistance de l'eau. **N'UTILISEZ PAS** de détergents épais de type gel, car ils obstrueraient le nettoyeur haute pression et pourraient l'endommager.

- Ouvrez l'eau et démarrez le nettoyeur haute pression.
- Appuyez sur la gâchette et attendez quelques secondes jusqu'à ce que le détergent apparaisse dans le jet d'eau.
- Commencez à nettoyer au bas de la surface et remontez d'un côté à l'autre. Ne laissez pas le savon sécher sur la surface à nettoyer.
- Relâchez la gâchette pour arrêter le nettoyeur haute pression.
- Laissez le moteur s'arrêter complètement avant d'appuyer à nouveau sur la gâchette.

NOTE : Si vous appuyez rapidement sur la gâchette, la fonction de démarrage automatique manquera un cycle marche/arrêt et pourrait empêcher la laveuse de se mettre en marche. Utilisez des pressions lentes et délibérées sur la gâchette pour éviter cela.

- Lorsque vous avez terminé, retirez l'excès de détergent du réservoir de savon et remplissez-le d'eau propre. Vaporisez l'eau à travers la buse de savon pour rincer le système.

Pour nettoyer sans détergent :

- Arrêtez le nettoyeur haute pression et fermez complètement le robinet d'eau.
- Dirigez le pistolet de pulvérisation dans une direction sûre et appuyez sur la gâchette pour relâcher la pression de l'eau.
- Si installé, retirez la buse de savon.
- Installez une buse appropriée pour la tâche que vous effectuez.
- Ouvrez l'eau et démarrez le nettoyeur haute pression.
- Relâchez le verrou de sécurité et commencez le lavage sous pression en appuyant à fond sur la gâchette dans la poignée.

NOTE : Testez toujours dans une petite zone peu visible pour éviter ou réduire les dommages.

- Commencez à nettoyer au bas de la surface et remontez d'un côté à l'autre.

CONSEILS D'UTILISATION

- Il est normal d'entendre le moteur tourner par intermittence lorsque la gâchette n'est pas pressée. La pompe s'amorce pour fonctionner lorsque la gâchette est à nouveau enfoncée.

FIG. 16

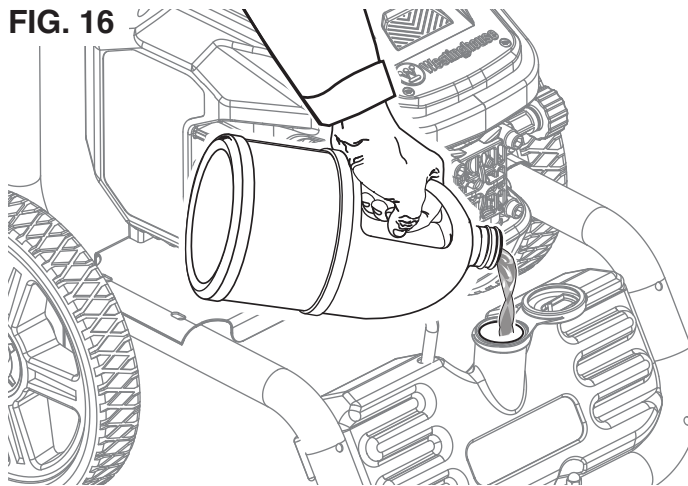
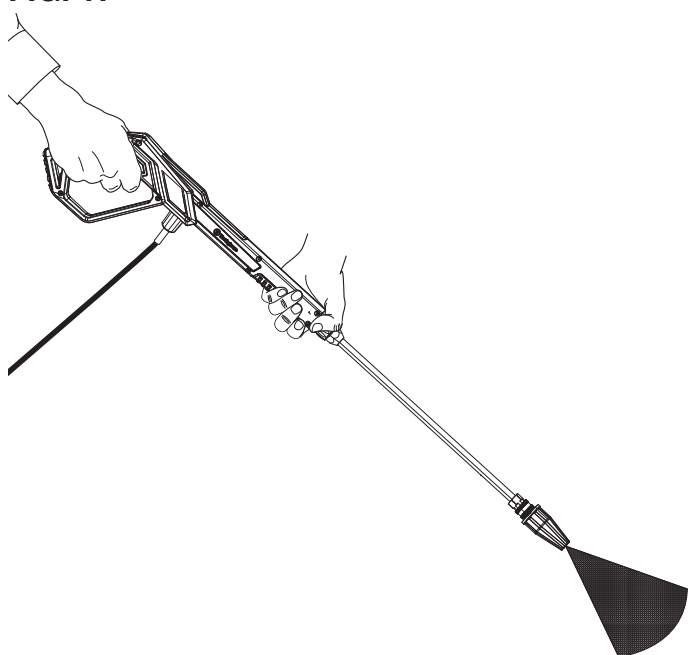


FIG. 17



- Pour éviter d'endommager les surfaces :
 - Utilisez toujours une buse appropriée
 - Réduisez la pression de l'eau en ajustant l'angle du jet ou en augmentant la distance entre la buse et la surface.
- Vaporisez toujours le détergent sur une surface sèche. Ne pré-trempez pas la surface. Mouiller d'abord la surface dilue le détergent et réduit sa capacité de nettoyage.
- Pour les taches tenaces, il peut être nécessaire de réappliquer le détergent et d'utiliser une brosse à poils pour frotter la tache.
- Gardez un outil de nettoyage des buses à proximité pour déboucher les buses.
- Les joints toriques du flexible haute pression doivent être nettoyés régulièrement et lubrifiés avec de la graisse non soluble dans l'eau telle que de la vaseline.
- Éteignez le nettoyeur haute pression après cinq minutes d'inactivité.

⚠ AVERTISSEMENT Éteignez TOUJOURS le nettoyeur haute pression, relâchez la pression dans le poignée de déclenchement et débranchez le nettoyeur haute pression avant d'effectuer l'entretien.

⚠ AVERTISSEMENT Remplacez les articles endommagés ou usés par des pièces de rechange recommandées ou équivalentes. L'utilisation d'une pièce incorrecte ou incompatible peut créer un danger pouvant entraîner des blessures graves.

AVIS Vérifiez l'état physique du produit avant chaque utilisation. Recherchez les boulons desserrés, les fuites de liquide et autres signes d'usure. Remplacez tous les éléments endommagés. Pour des pièces de rechange ou de l'assistance, contactez notre service client.

Pour prolonger la durée de vie de ce produit, suivez les instructions d'entretien et de entretien de cette section. Contactez le service client avant d'intervenir sur tout rappel ou pièce sous garantie.

NETTOYAGE DU NETTOYEUR HAUTE PRESSION

Ne stockez pas et n'utilisez pas votre nettoyeur haute pression dans des environnements sales, poussiéreux ou corrosifs. Ne laissez pas de corps étrangers et de débris obstruer les événements de l'appareil. NE JAMAIS nettoyer le nettoyeur haute pression avec un tuyau d'arrosage. L'eau peut endommager les composants électriques du nettoyeur haute pression. Si l'appareil doit être nettoyé, utilisez une brosse douce et un chiffon humide pour nettoyer l'extérieur et utilisez de l'air à basse pression (pas plus de 25 psi) pour nettoyer les événements. **N'utilisez jamais d'essence comme agent de nettoyage.**

NETTOYAGE DES BUSES

Voir la figure 18.

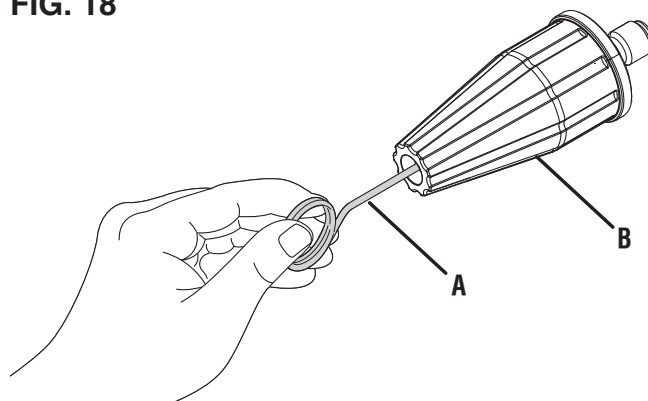
- Arrêtez le nettoyeur haute pression et fermez complètement le robinet d'eau.
- Relâchez la pression dans le poignée de déclenchement et débranchez le nettoyeur haute pression.
- Retirez la buse du poignée de déclenchement.
- Utilisez un outil de nettoyage de buse ou une aiguille fine pour nettoyer les débris de l'intérieur de la buse.
- À l'aide d'un tuyau d'arrosage, rincez l'eau à travers la buse.
- Lorsque la buse est propre, remplacez-la sur la lance ou dans la zone de stockage de la buse.

NETTOYAGE DES ÉCRANS D'ENTRÉE D'EAU

Voir la figure 19.

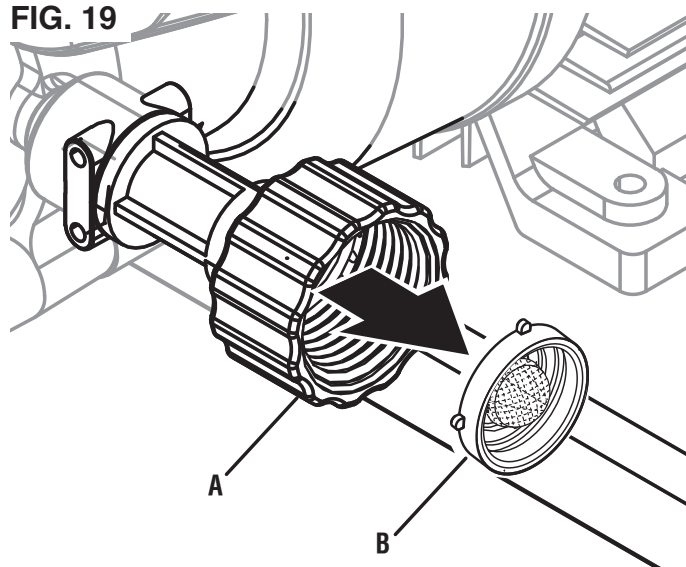
Les écrans à l'intérieur de l'adaptateur de tuyau d'arrosage doivent être nettoyés périodiquement. Retirez les grilles, rincez-les à l'eau claire et remplacez-les dans l'entrée.

FIG. 18



A - Outil de nettoyage de buse
B - Buse Turbo

FIG. 19



A - Entrée d'eau
B - Écran

RANGEMENT


NOTE : Utilisez des protecteurs de pompe disponibles dans le commerce pour prolonger la durée de vie de la pompe. Suivez les instructions d'utilisation du fabricant.

- Relâchez la pression dans le poignée de déclenchement et débranchez le nettoyeur haute pression. Enroulez le cordon autour du dispositif de retenue du cordon.
- Retirez le tuyau d'arrosage et rangez-le correctement. Inclinez le nettoyeur haute pression pour permettre à l'excès d'eau de s'écouler de l'entrée.
- Retirez toutes les buses et placez-les dans la zone de stockage des buses.
- Débranchez le flexible haute pression et enroulez-le autour du support de flexible.
- Démontez le poignée de déclenchement et la lance, et placez-les dans les étuis du pistolet.
- Rangez le nettoyeur haute pression dans un endroit sec et couvert à l'abri de la chaleur extrême qui pourrait assécher les joints de la pompe et du froid extrême qui pourrait causer des dommages par le gel.

ENTRETIEN

Les pièces de entretien peuvent être achetées directement à l'usine. Une liste partielle des pièces de entretien est ci-dessous. Pour une liste complète des pièces de entretien ou pour des informations supplémentaires, écrivez-nous à service@wpowereq.com ou composez le **1-855-944-3571**.

Filtre d'entrée.....04000267-0
Buse turbo PWTN
Kit de buses (comprend une buse à savon, 0°, 15°, 25°, et 40° buses).....8855

 **AVERTISSEMENT** Ne pas utiliser de pièces jointes ou d'accessoires qui ne sont pas recommandés pour une utilisation avec ce produit. Toute modification non autorisée et l'utilisation d'accessoires incompatibles peuvent endommager l'appareil et annuler votre garantie.

DÉPANNAGE

| PROBLÈME | CAUSE POSSIBLE | CORRECTION |
|---|--|--|
| L'unité ne s'allume pas. | Le nettoyeur haute pression n'est pas connecté à une source d'alimentation ou la source d'alimentation n'est pas mise à la terre | Branchez le cordon d'alimentation sur une prise de 120 volts mise à la terre |
| | La pression de l'eau est dans le tuyau | Appuyez sur la gâchette pour relâcher la pression de l'eau. |
| | GFCI est déclenché | Appuyez sur le bouton RESET du cordon d'alimentation |
| | Moteur ou cordon d'alimentation défectueux. | Contactez le service client Westinghouse sans frais au 1-855-944-3571. |
| L'unité fonctionne mais il n'y a pas de débit d'eau. | Mauvaise source d'eau | Connectez le nettoyeur haute pression à une conduite d'eau. N'utilisez pas cet appareil avec de l'eau provenant d'un lac, d'une piscine, d'un étang, etc. |
| | Buse bouchée | Nettoyer la buse |
| | Lance de pulvérisation défectueuse | Remplacer la lance |
| L'eau fuit là où le tuyau se connecte au pistolet de pulvérisation. | Joint torique défectueux ou manquant entre le tuyau haute pression et le pistolet de pulvérisation. | Remplacez le joint torique. |
| Le nettoyeur haute pression s'allume pendant 2 secondes, s'éteint et ne se rallume pas. | La fonction de démarrage automatique éteint l'appareil. | Lorsque le nettoyeur haute pression est allumé, le moteur peut fonctionner pendant 1 à 2 secondes pour amorcer la pompe. Ensuite, il s'éteindra automatiquement jusqu'à ce que la gâchette du pistolet de pulvérisation soit pressée. Ceci est normal et n'indique pas un problème. |

GARANTIE

APPAREIL ÉLECTRIQUE EXTÉRIEUR WESTINGHOUSE GARANTIE LIMITÉE DE TROIS ANS

RESPONSABILITÉ DE WESTINGHOUSE OUTDOOR POWER EQUIPMENT

Westinghouse Outdoor Power Equipment LLC («Westinghouse») garantit à l'acheteur initial que sa gamme de nettoyeurs haute pression électriques Westinghouse sera exempte de tout défaut de matériel et de fabrication. Dans des conditions normales d'utilisation et d'entretien à compter de la date d'achat, Westinghouse accepte de réparer ou de remplacer, à sa seule discrétion, tout produit défectueux sans frais auprès de tout revendeur agréé Westinghouse dans les applications, délais, limitations et exclusions indiqués ci-dessous. CETTE GARANTIE LIMITÉE S'ÉTEND À L'ACHETEUR D'ORIGINE UNIQUEMENT ET NE PEUT ÊTRE TRANSFÉRABLE AUX PROPRIÉTAIRES SUBSÉQUENTS, SAUF LES PIÈCES LIÉES À L'ÉMISSION. Pour obtenir la liste des revendeurs avec service après-vente Westinghouse, visitez le site Web www.wpowereq.com ou appelez au 1-855-944-3571.

RESPONSABILITÉ DU PROPRIÉTAIRE

Pour garantir une couverture de garantie sans problème, il est important que vous enregistriez votre nettoyeur haute pression électrique Westinghouse en ligne à l'adresse www.wpowereq.com, par téléphone automatisé au 1-855-944-3571 ou en remplissant et en retournant l'enregistrement de la garantie. carte fournie avec votre nettoyeur haute pression. L'enregistrement de votre produit confirme la couverture de votre garantie et fournit un lien direct entre vous et Westinghouse s'il s'avère nécessaire de vous contacter.

Votre reçu d'achat, y compris la date, le modèle et le numéro de série, doit être conservé et présenté au service clientèle de Westinghouse afin d'obtenir le service de garantie. La preuve d'achat repose uniquement sur vous, l'acheteur d'origine. Vous devez faire preuve d'une prudence et d'une utilisation raisonnables et respecter les consignes de entretien préventive et d'entreposage prescrites dans le manuel de l'utilisateur de votre appareil Westinghouse. Si un problème survient avec un produit, vous devez, à vos frais, livrer ou expédier votre appareil Westinghouse à un centre de réparation agréé pour des réparations sous garantie (qui doivent avoir lieu pendant la période de garantie applicable), et organiser le ramassage ou le retour de votre appareil après les réparations ont été faites. Si la preuve d'achat n'est pas disponible pour établir la date d'achat, ni le produit n'est enregistré comme décrit dans les présentes, la date de fabrication telle qu'elle a été enregistrée

Pour trouver le revendeur agréé Westinghouse le plus proche de chez vous, appelez le service clientèle de Westinghouse au 1-855-944-3571 ou visitez la page «Trouver un revendeur» sur www.wpowereq.com Si vous avez besoin d'aide ou si vous avez des questions à propos de Westinghouse Déclaration de garantie, vous pouvez nous contacter en ligne sur www.wpowereq.com ou en appelant au 1-855-944-3571.

APPLICATIONS DE GARANTIE DE PRODUIT ET PÉRIODES DE GARANTIE DE PRODUIT

APPLICATION DES CONSOMMATEURS

Aux fins de la présente garantie limitée, «Application client» désigne une utilisation par l'acheteur d'origine à des fins domestiques, résidentielles ou récréatives. Pour ceux qui utilisent ce produit pour une application grand public, les conditions de garantie suivantes s'appliquent:

Les pièces et la main-d'œuvre seront entièrement couvertes pendant une période d'un an à compter de la date d'achat.

Les pièces seulement seront entièrement couvertes pendant une période de deux ans à compter de la date d'achat.

À la seule discrétion de Westinghouse, certains remplaçants seront entièrement couverts pour une période de trois ans à compter de la date d'achat.

APPLICATION COMMERCIALE

Aux fins de la présente garantie limitée, le terme «application commerciale» désigne l'utilisation par l'acheteur d'origine à des fins commerciales, génératrice de revenus. Une fois qu'un nettoyeur haute pression électrique Westinghouse a été utilisé à des fins commerciales et générant un revenu, il est ensuite considéré comme un produit utilisé pour une «application commerciale» et les conditions de garantie suivantes s'appliquent:

Les pièces et la main-d'œuvre seront entièrement couvertes pendant une période de 90 jours à compter de la date d'achat.

EXCLUSIONS

Les articles suivants sont exclus de la couverture de la garantie:

- Utilisation de pièces de rechange autres que celles de Westinghouse, sauf autorisation écrite de Westinghouse
- Frais d'entretien courant / normal
- Réparations ou diagnostics effectués par un centre de réparation non autorisé, sauf autorisation écrite de Westinghouse
- Défaillances du produit dues à l'usure normale, à un accident, à une mauvaise utilisation, à un abus, à une négligence ou à une utilisation inappropriée
- Défaillances du produit dues à une cause externe, incluant sans s'y limiter: collision, vol, vandalisme, émeute, guerre, incendie, gel, foudre, tremblement de terre, tempête de vent, grêle, dégât des eaux, dégât de tornade, dégât de rongeurs / ravageurs, ou dommages causés par un ouragan
- Produits modifiés ou altérés d'une manière non autorisée par écrit par Westinghouse
- Tout dommage accidentel, consécutif ou indirect causé par un défaut de matériau ou de fabrication
- Tout dommage accidentel, consécutif ou indirect causé par un retard dans la réparation ou le remplacement de la ou des pièces défectueuses
- Défaillance du produit due à une mauvaise application
- Téléphone, téléphone cellulaire, télécopieur, Internet ou toute autre dépense liée aux communications \
- Dépenses liées aux «instructions du client» ou au dépannage en l'absence de défaut de fabrication
- Frais de transport de nuit ou frais de port spéciaux pour les pièces de rechange
- Coûts des heures supplémentaires, des vacances ou de la main-d'œuvre d'urgence

LIMITATION DE GARANTIES IMPLICITES

Cette garantie limitée remplace toutes les autres garanties explicites ou implicites, y compris toute garantie D'APTITUDE À UN USAGE PARTICULIER, ET TOUTE GARANTIE IMPLICITE DE QUALITÉ MARCHANDE, par ailleurs applicable à la gamme de nettoyeurs haute pression de Westinghouse et à ses sociétés affiliées, ne peut être tenue responsable. dommages spéciaux, accessoires ou consécutifs, y compris perte de profits. Il n'y a aucune garantie étendue autre que celle fournie aux présentes. Cette garantie limitée ne peut être modifiée que par Westinghouse Outdoor Power Equipment LLC. Toute garantie implicite permise par la loi sera limitée dans le temps aux termes de la garantie explicite fournie dans les présentes. Certains états n'autorisant pas l'exclusion ou la limitation des dommages accessoires ou indirects, la limitation ci-dessus peut ne pas s'appliquer à vous. Cette garantie vous confère des droits légaux spécifique. Vous avez également d'autres droits d'un État à l'autre. LA SEULE RESPONSABILITÉ DE WESTINGHOUSE OUTDOOR POWER EQUIPMENT LLC EST C'EST LA RÉPARATION OU LE REMPLACEMENT TELLE QUE PRÉCÉDENTE. WESTINGHOUSE NE PEUT EN AUCUN CAS ÊTRE TENU RESPONSABLE DE DOMMAGES ACCESSOIRES OU INDIRECTS, MÊME SI CES DOMMAGES RÉSULTENT DIRECTEMENT DE NEGLIGENCE DE MWE INVESTMENTS. Certains états n'autorisant pas l'exclusion ou la limitation des dommages accessoires ou indirects, la limitation ci-dessus peut ne pas s'appliquer à vous.

Cette garantie limitée est offerte par Westinghouse Outdoor Power Equipment LLC (777, promenade du parc Manor, Columbus, OH 43228).



www.WestinghouseOutdoorPower.com
Service Hotline (855) 944-3571
777 Manor Park Drive, Columbus, OH 43228

® and Westinghouse are trademarks of Westinghouse Electric Corporation.
Used under license by Westinghouse Outdoor Power Equipment.
© 2023 MWE Investments, LLC All Rights Reserved.