

### PLAN YOUR STAIRS

- Measure total rise (vertical distance from deck surface to ground) to determine number of steps.
- Typically, you'll need at least 3 stringers for a standard 36" wide staircase (1 at each end and 1 in the center). Add more for wider stairs.

### PREPARE THE GROUND/BASE

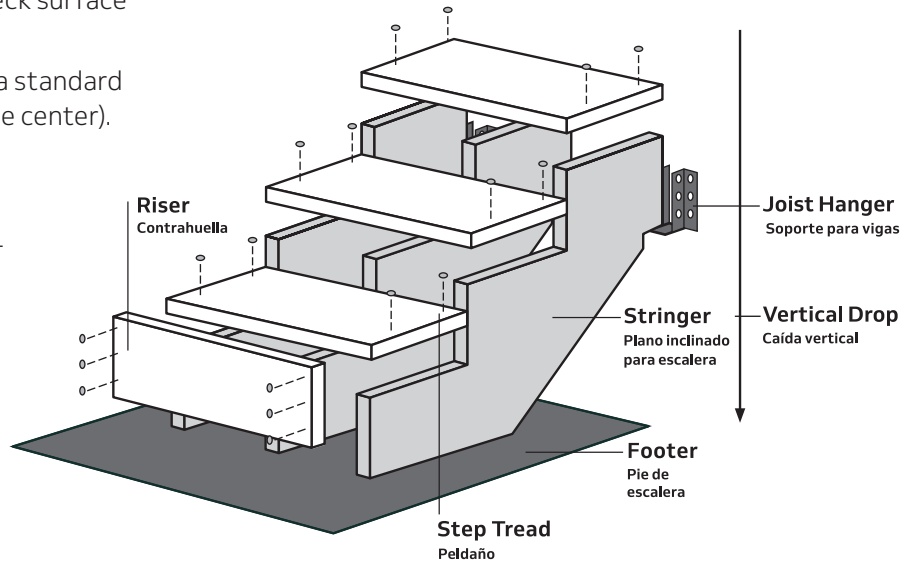
- Create a level concrete pad or gravel base at the bottom of the stairs to prevent rot and shifting.
- Make sure it extends slightly beyond the width of the stairs.

### ATTACH THE TOP OF THE STRINGERS

- Attach stringers to the deck frame using one of the following:
  - Joist hangers or stair stringer hangers mounted to a ledger or rim joist.
  - Blocking between joists for extra support.
  - Lag bolts or structural screws through the top of the stringer into a ledger board or rim joist.
- Ensure the top step will align with the deck height.

### SECURE THE BOTTOM OF THE STRINGERS

- Ensure the bottom of each stringer rests flat on the pad.
- Attach with:
  - Concrete anchors (if on slab),
  - Ground stakes,
  - Or leave floating if stairs are light-duty and the pad is firm and level.
- Use galvanized brackets for added lateral support.



### CHECK LEVEL AND PLUMB

- Use a level to confirm:
  - The stringers are plumb (vertically aligned),
  - And all are sitting at the same height.

### INSTALL TREADS AND RISERS

- Once stringers are solid and secure:
  - Attach treads (usually 2x6 or 5/4 decking boards).
  - Optional: install risers (1x8 or similar) for a finished look.
- Use exterior-grade screws or nails.

THE DIAGRAMS AND INSTRUCTIONS IN THIS BROCHURE ARE FOR ILLUSTRATION PURPOSES ONLY AND ARE NOT MEANT TO REPLACE A LICENSED PROFESSIONAL. ANY CONSTRUCTION OR USE OF THE PRODUCT MUST BE IN ACCORDANCE WITH ALL LOCAL ZONING AND/OR BUILDING CODES. THE CONSUMER ASSUMES ALL RISKS AND LIABILITY ASSOCIATED WITH THE CONSTRUCTION OR USE OF THIS PRODUCT. THE CONSUMER OR CONTRACTOR SHOULD TAKE ALL NECESSARY STEPS TO ENSURE THE SAFETY OF EVERYONE INVOLVED IN THE PROJECT, INCLUDING, BUT NOT LIMITED TO, WEARING THE APPROPRIATE SAFETY EQUIPMENT. EXCEPT AS CONTAINED IN THE WRITTEN LIMITED WARRANTY, THE WARRANTOR DOES NOT PROVIDE ANY OTHER WARRANTY, EITHER EXPRESS OR IMPLIED, AND SHALL NOT BE LIABLE FOR ANY DAMAGES, INCLUDING CONSEQUENTIAL DAMAGES.