

### K2AA LIGHT FIXTURE

FOR USE WITH SELECT CASABLANCA GLASS BOWLS. FOR A COMPLETE LISTING OF COMPATIBLE GLASS, ASK YOUR CASABLANCA DEALER.

**WARNING:** To reduce the possibility of electrical shock, be sure that the power is turned off at its source (fuse or circuit breaker). All electrical components must be installed in accordance with national and local electrical codes. To reduce the risk of fire and electrical shock, the light fixture should be used only with UL, CUL, or ETL Certified Casablanca ceiling fans.

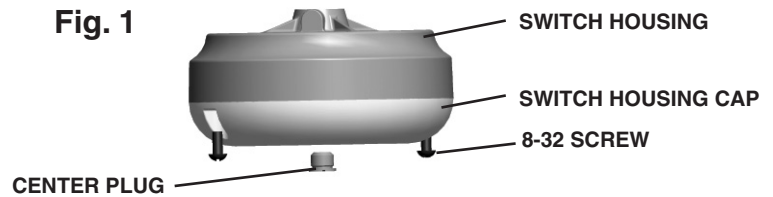
**IMPORTANT:** Before discarding any packing material locate the following items:



#### Prepare Fan

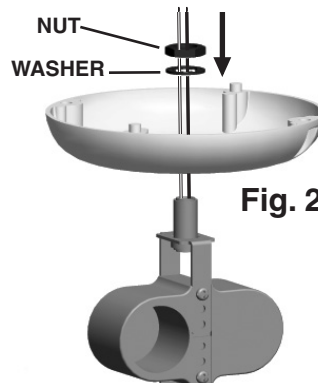
1. Remove switch housing cap from switch housing by unscrewing the two 8-32 screws. **Fig. 1**
2. Remove plastic wirenuts from switch housing wires and strip 1/2" insulation from both wires (black and white). Strip 1/2" insulation from both wires of the light fixture.

**Fig. 1**



#### Install Light Fixture

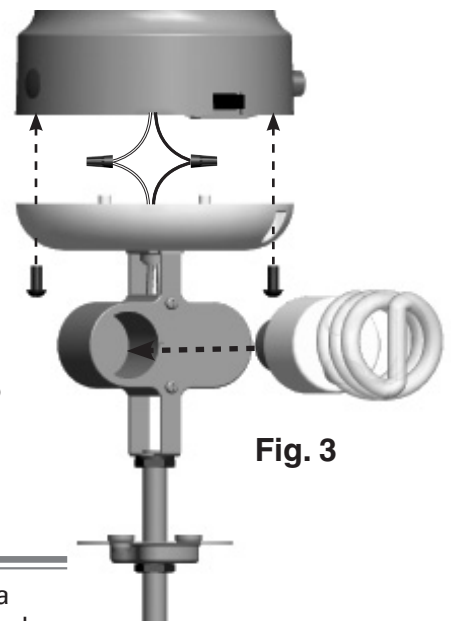
3. Remove the center plug from the switch housing cap and route the wires from the light kit through the hole. Thread the cap onto the light fixture until cap is flush with the light kit. Using the provided washer and nut, secure the switch housing cap to the light kit as shown. **Fig. 2**
4. Hold the light fixture close to the switch housing. Connect the wires from the fan and the wires from the light fixture together (**BLACK to BLACK** or **Blue to Black** and **WHITE to WHITE**) by placing the bare ends of the wires together and then secure with the wirenuts. **Fig. 3**



**Fig. 2**

5. Lift the light kit to the switch housing, aligning the screw holes, and secure with the two 8-32 screws from step 1.

**Caution:** Make sure wires are not pinched between the switch housing and cap.



**Fig. 3**

#### Install Light Bulbs

1. Carefully thread the bulbs into the sockets. Tighten by hand. **Fig. 3**

Note: Bulbs included with this product will not dim. If this light kit is installed on a fan with a light dimming function, then bulbs that are capable of dimming need to be purchased separately.

**Glass for the K2AA is sold separately. Refer to instructions that come with the glass (if applicable) for additional instructions.**

*Note, provided with the glass are glass caps and finials in several finishes to best complement your fan. There are also two types of glass caps, one for 3-Speed fans with holes provided for the pull chain, and a solid version for Intelli•Touch and Advan•Touch fans.*

#### Install Glass

1. For 3-Speed fans, remove the Fob from the end of the pull chain and run chain through holes in the bottom of the glass.
2. Insert the threaded rod of the light kit through the center hole at the base of the glass. Secure with the provided washer and nut from the light kit, tighten by hand.
3. Insert threaded rod through center of glass cap and secure with finial.

**Fig. 4**

