



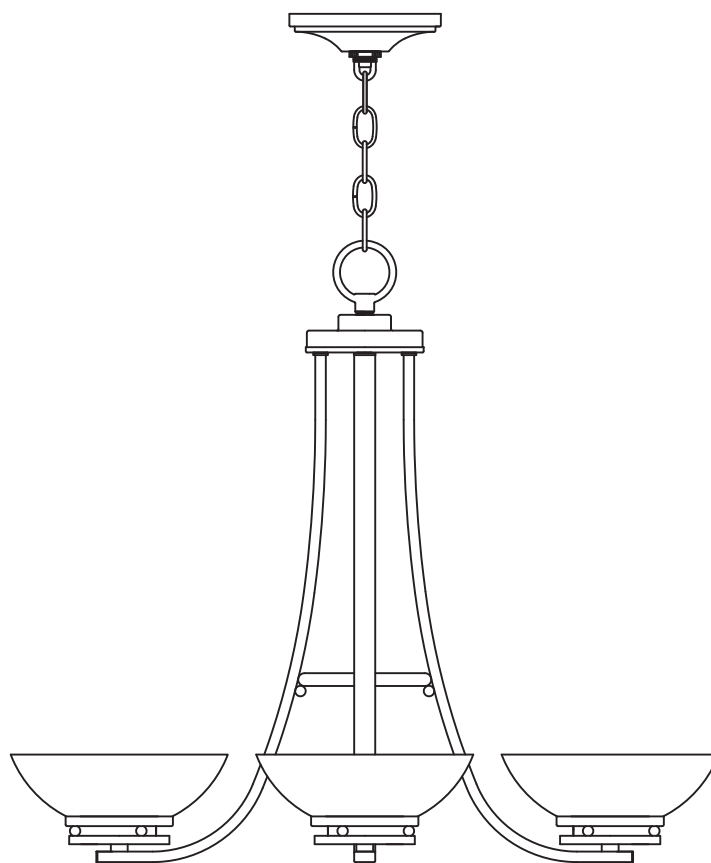
Item #000-000

Model #89550

## USE AND CARE GUIDE

---

### 5-LIGHT CHANDELIER



**Questions, problems, missing parts? Before returning to the store,  
call Hampton Bay Customer Service  
8 a.m. - 6 p.m., EST, Monday - Friday**

**1-877-527-0313**

**HAMPTONBAY.COM**

---

#### **THANK YOU**

*We appreciate the trust and confidence you have placed in Hampton Bay through the purchase of this fixture. We strive to continually create quality products designed to enhance your home. Visit us online to see our full line of products available for your home improvement needs. Thank you for choosing Hampton Bay!*

# Table of Contents

Table of Contents .....	2	Installation .....	5
Safety Information .....	2	Care and Cleaning .....	8
Warranty .....	2	Troubleshooting .....	8
Pre-Installation .....	3	Service Parts .....	9

# Safety Information

1. Read and understand all instructions and illustrations completely before proceeding with assembly and installation of this fixture.
2. Never attempt any work without shutting off the electricity.
3. Go to the main fuse box, or circuit breaker, in your home. Place the main power switch in the "OFF" position and unscrew the fuse(s), or switch off the circuit breaker switch(es), that control the power to the fixture or room that you are working on.
4. Place the wall switch in the "OFF" position. If the fixture to be replaced has a switch or pull chain, place it in the "OFF" position.
5. If you have any doubts about how to install this lighting fixture, or if the fixture fails to operate completely, please contact a licensed electrical contractor.
6. All parts must be used as indicated in these instructions. Do not substitute any parts, leave parts out, or use any parts that are worn-out or broken. Failure to obey this instruction could invalidate the ETL listing and/or C.S.A. certification of this fixture.



**DANGER:** Hazardous voltages cause severe injury or death. Disconnect all sources of power before servicing.



**WARNING:** Hazardous voltage! Disconnect power before servicing.



**CAUTION:** Do not use bulbs that exceed the recommended wattage specified on the fixture.

# Warranty

## 1-YEAR LIMITED WARRANTY

The manufacturer warrants that this product will be free from defects in material and workmanship for one (1) year following the date of shipment. If any of the warranted products are found by the manufacturer to be defective, such products will, at the manufacturer's option, be replaced or repaired at manufacturer's cost. The parties hereto expressly agree that the buyer's sole and exclusive remedy against the manufacturer shall be for the repair or replacement of defective products as provided herein, or, at the manufacturer's sole option, the manufacturer may refund the purchase price of the products. The foregoing warranty is in lieu of all other warranties, expressed or implied, including those of merchantability, fitness for any particular purpose, or infringement. No affirmation of the manufacturer, by words or action, other than set forth in this paragraph shall constitute a warranty. Goods which may be sold by the manufacturer, but which are not manufactured by the manufacturer, are not warranted by the manufacturer, but are sold only with the warranties, if any, of the manufacturer thereof.

This warranty does not cover bulbs or finish on outdoor product. In addition, it does not cover labor or other costs or expenses to remove or install any defective, repaired, or replaced product. The manufacturer's warranty does not apply to any products that have been subjected to misuse, mishandling, misapplication, neglect (including, but not limited to improper maintenance), accident, improper installation, modification (including, but not limited to use of unauthorized parts or attachments), adjustment, or repair.

# Pre-Installation

Please read and understand this entire manual before attempting to assemble, operate, or install the product.



**NOTE:** Before beginning assembly of this product, make sure all parts are present. If any part is missing or damaged, do not attempt to assemble the product.

## TOOLS REQUIRED



Claw hammer



Safety goggles



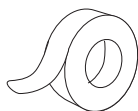
Phillips screwdriver



Pliers



Wire strippers



Electrical tape



Ladder

## HARDWARE INCLUDED



**NOTE:** Hardware not shown to actual size



AA



BB



CC



DD

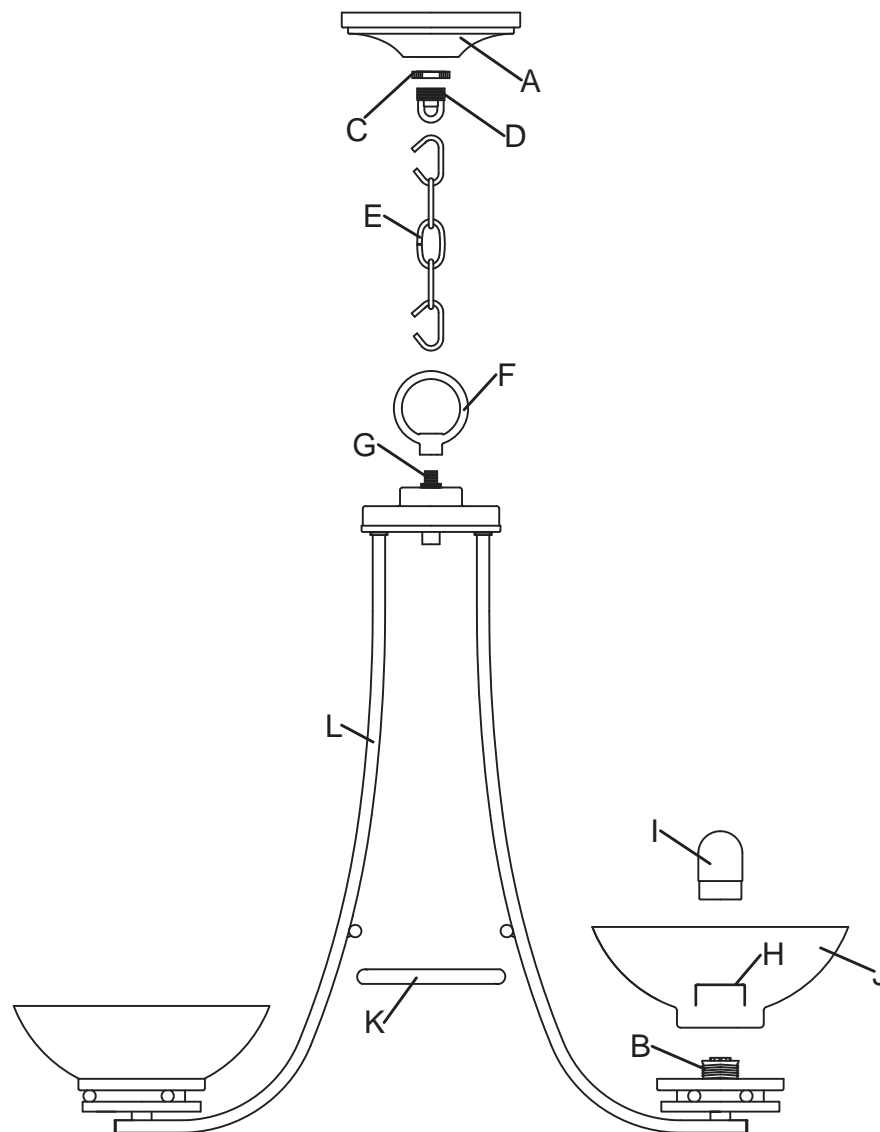


EE

Part	Description	Quantity
AA	Wire Connector	3
BB	Short Machine Screw	2
CC	Hex Nut	3
DD	Mounting Bracket	1
EE	Threaded Nipple	1

# Pre-Installation (continued)

## PACKAGE CONTENTS



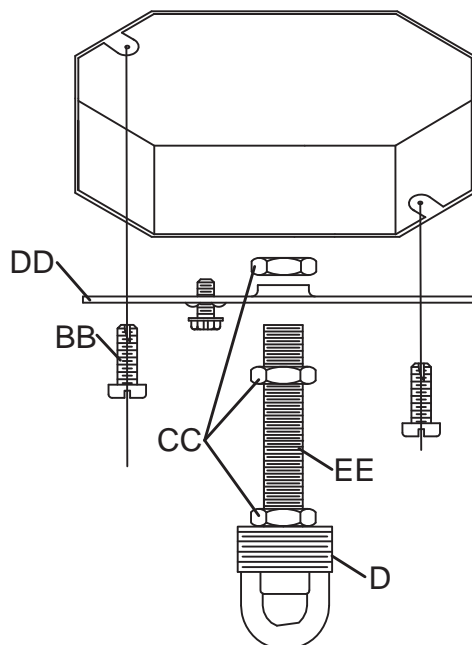
Part	Description	Quantity
A	Canopy	1
B	Threaded Socket	5
C	Screw Collar Ring	1
D	Screw Collar Loop	1
E	Chain	1
F	Fixture Loop	1

Part	Description	Quantity
G	Threaded Post	1
H	Threaded Socket Ring	5
I	Bulb Cover	5
J	Glass Shade	5
K	Arm Support Ring	1
L	Arm	5

# Installation

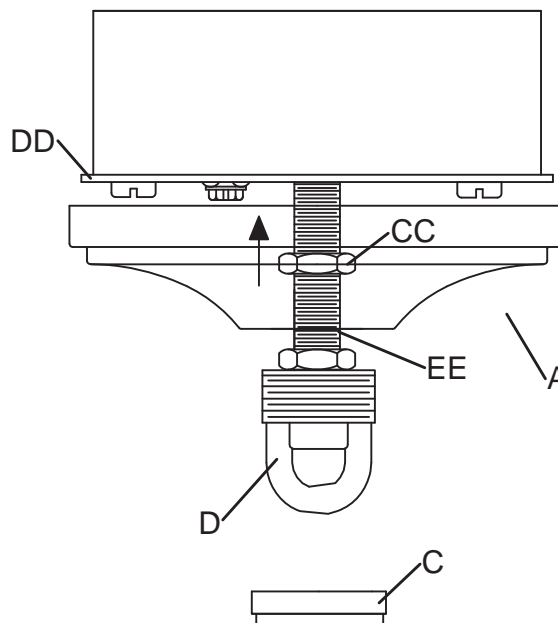
## 1 Installing the mounting bracket

- Orient the mounting bracket (DD) so that the raised center portion protrudes into the outlet box.
- Connect the mounting bracket (DD) to the outlet box with machine screws (BB).
- Screw the threaded nipple (EE) into the screw collar loop (D) a minimum of 1/4 in. Lock it in place with a hex nut (CC).
- Thread another hex nut (CC) to the center of the threaded nipple (EE), and screw the threaded nipple (EE) into the mounting bracket (DD). Lock the threaded nipple (EE) in place with a hex nut (CC).



## 2 Attaching the canopy

- Pass the canopy (A) over the screw collar loop (D).
- Turn the screw collar loop (D) in or out of the mounting bracket (DD) until 1/2 of the screw collar loop (D) exterior threads are exposed.
- After a desired position is found, lock the threaded nipple (EE) in place by tightening the second hex nut (CC) up against the mounting bracket (DD).
- Attach the screw collar ring (C) to the screw collar loop (D).



# Installation

## 3 Making the electrical connections

**⚠ DANGER:** Hazardous voltages cause severe injury or death. Disconnect all sources of power before servicing.

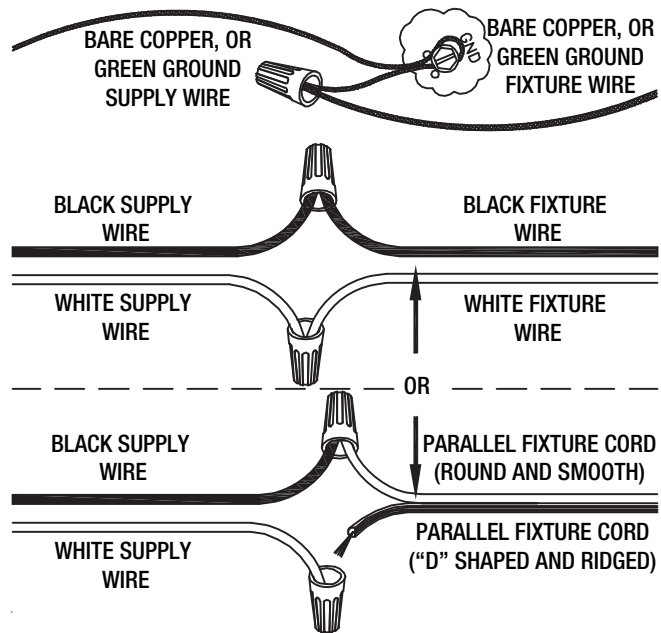
- Make the wiring connections using the wire connectors (AA) according to the diagram.
- Wrap the ground wire from the outlet box around the ground screw on the mounting bracket (DD) no less than 2 in. from the end of the wire.
- If the fixture is supplied with a ground wire, connect it to the outlet ground wire with a wire connector (AA).



**NOTE:** For installation in Canada, if the fixture is supplied with a ground wire, wrap it around the ground screw on the mounting bracket (DD), and tighten the ground screw.

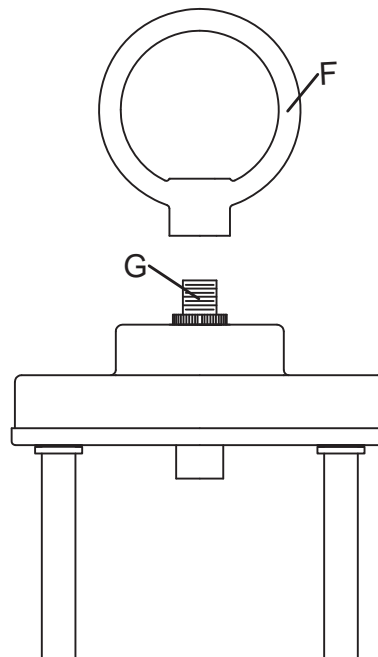


**NOTE:** When parallel wire (SPT I & SPT II) is used, the neutral wire is square shaped and ridged and the hot wire will be round in shape and smooth.



## 4 Attaching the fixture loop

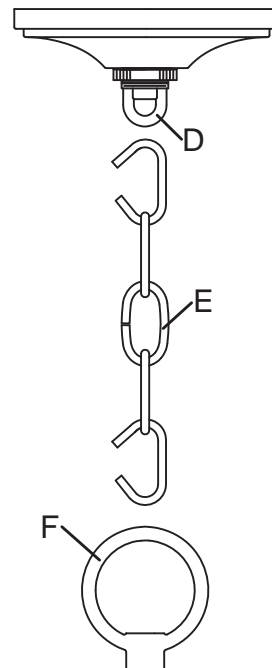
- Screw the fixture loop (F) onto the threaded post (G).



# Installation

## 5 Hanging the fixture

- Attach the chain (E) to the screw collar loop (D).
- Raise the fixture up, and attach the chain (E) to the fixture loop (F).

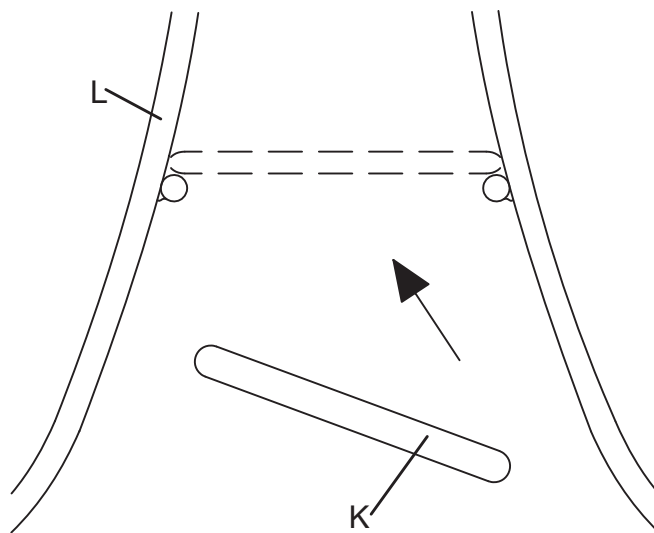


## 6 Installing the arm support ring

- Place the arm support ring (K) on the knobs located on the arms (L) of the fixture.



**NOTE:** Be sure the fixture arms are spaced evenly before installing the arm support ring.

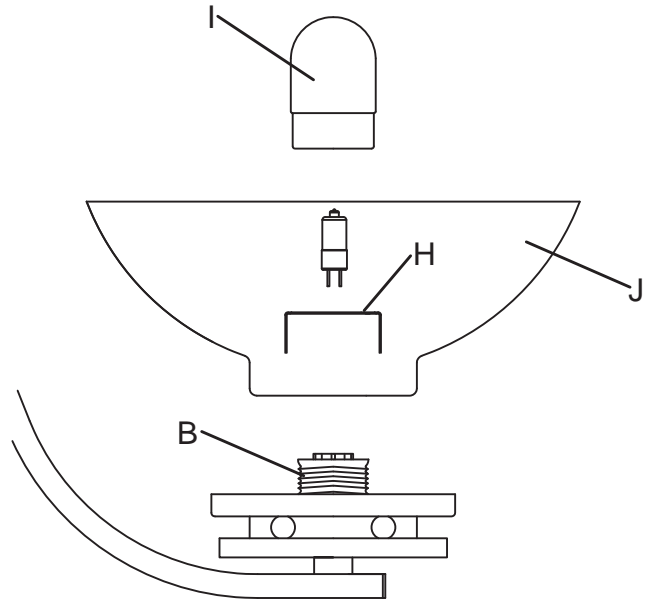


## Installation

### 6 Installing the bulbs and shades

- Lower the glass shade (I) over the threaded socket (B) and secure it with the threaded socket ring (H).
- Install 50W max., G9 base bulbs (included) into the threaded socket (B).
- Screw the bulb cover (I) onto the threaded socket (B).
- Repeat this process for the remaining fixture arms (L).

**NOTE:** Never touch a halogen light bulb with your bare skin, even when removing the bulb from the package before installing. The oils on your skin will drastically shorten the lifespan of the bulb.



## Care and Cleaning

- When replacing bulbs, use 50W max., G9 base bulbs.
- Always be certain that the electric current is turned off before cleaning this item.
- Use a soft, moist cloth with mild, non-abrasive soap to clean the fixture. Never use glass cleaner on the fixture, as it will damage the metal finish.
- All glass shades may be washed in a towel-lined sink with warm water and mild soap. Do not wash shades in an automatic dishwasher.

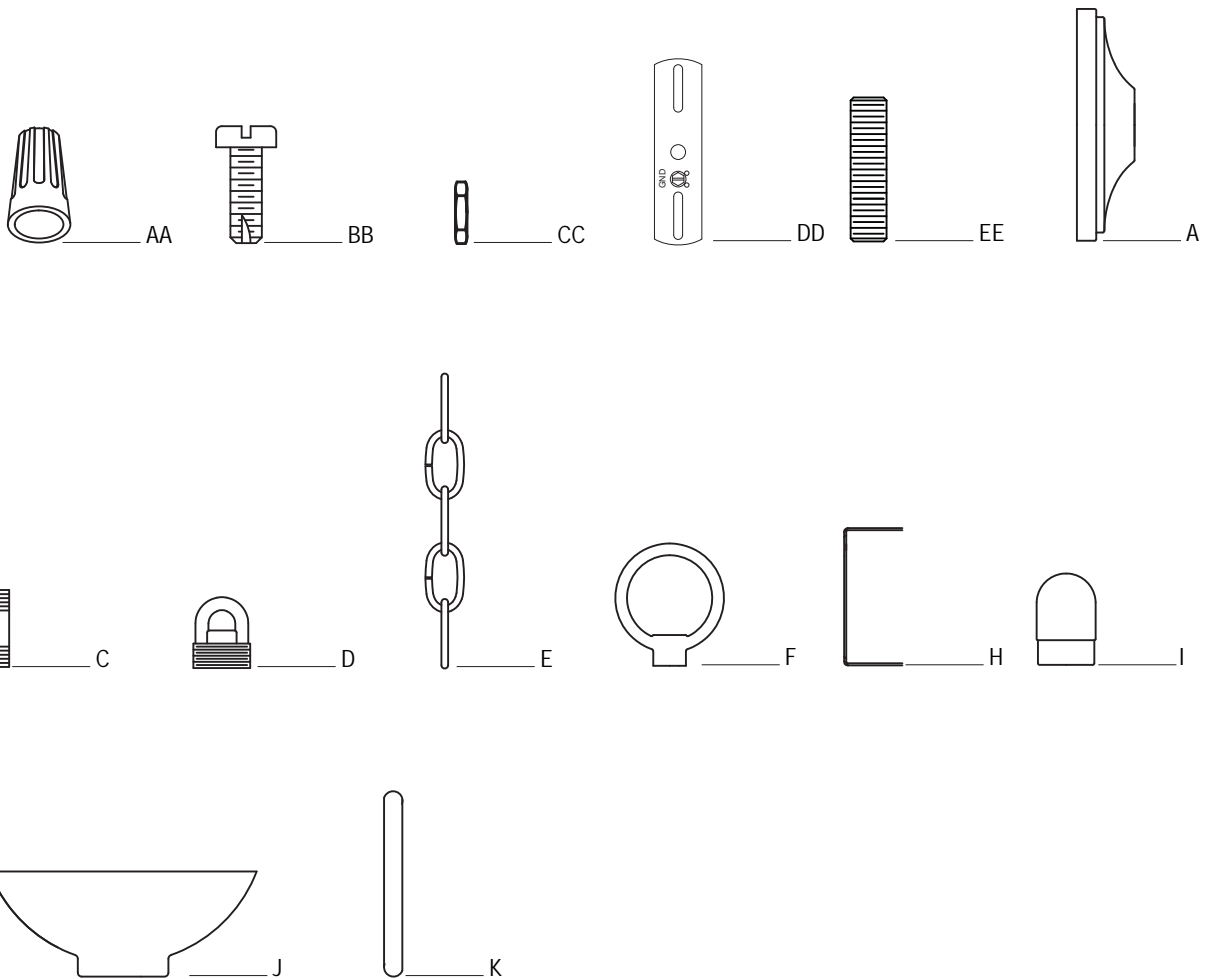
## Troubleshooting

Problem	Solution
The fixture does not light.	<ul style="list-style-type: none"><li>□ Check the wiring.</li><li>□ Replace the bulb(s).</li></ul>



# Service Parts

## Chandelier



Part	Description	Part #
AA	Wire Connector	WC001
BB	Short Machine Screw	SCR832X050
CC	Hex Nut	NUT832
DD	Mounting Bracket	XBAR01
EE	Threaded Nipple	TN18200
A	Canopy	C89550
C	Screw Collar Ring	SCG-NI

Part	Description	Part #
D	Screw Collar Loop	SCL-NI
E	Chain	CHAIN-NI
F	Fixture Loop	FL89550
H	Threaded Socket Ring	TSR89550
I	Bulb Cover	BC001
J	Glass Shade	GS89550
K	Arm Support Ring	ASR89550



Questions, problems, missing parts? Before returning to the store,  
call Hampton Bay customer service  
8 a.m.-6 p.m., EST Monday-Friday

**1-877-527-0313**

**HAMPTONBAY.COM**

Retain this manual for future use.