

# OPERATOR'S MANUAL

## Zero-Turn Tractor Lapbar Drive Control Levers

### Record Product Information

Before setting up and operating your new equipment, please locate the model plate on the equipment and record the information in the provided area to the right. You can locate the model plate by lifting up the seat and looking under the seat pan. This information will be necessary, should you seek technical support via our web site or with your local authorized service dealer.

### MODEL NUMBER

### SERIAL NUMBER

### Table of Contents

<i>Important Safe Operation Practices</i> .....	2	<i>Service and Maintenance</i> .....	18
<i>Assembly</i> .....	8	<i>Troubleshooting</i> .....	26
<i>Operation</i> .....	12	<i>Parts/Warranty</i> .....	See Separate Supplement

**⚠ WARNING**

Read and follow all safety rules and instructions in this manual before attempting to operate this machine. Failure to comply with these instructions may result in personal injury.

**⚠ WARNING**

California Proposition 65

Engine Exhaust, some of its constituents, and certain vehicle components contain or emit chemicals known to State of California to cause cancer and birth defects or other reproductive harm.

Battery posts, terminals, and related accessories contain lead and lead compounds, chemicals known to the State of California to cause cancer and reproductive harm. Wash hands after handling.

**NOTE:** This Operator's Manual covers several models. Features may vary by model. Not all features in this manual are applicable to all models and the model depicted may differ from yours.



# SAFE OPERATIONS PRACTICES

## ▲ WARNING

▲ This symbol points out important safety instructions which, if not followed, could endanger the personal safety and/or property of yourself and others. Read and follow all instructions in this manual before attempting to operate this machine. Failure to comply with these instructions may result in personal injury. When you see this symbol. **HEED ITS WARNING!**

## ▲ DANGER

This machine was built to be operated according to the safe operation practices in this manual. As with any type of power equipment, carelessness or error on the part of the operator can result in serious injury. This machine is capable of amputating hands and feet and throwing objects. Failure to observe the following safety instructions could result in serious injury or death.

### General Information

1. Read, understand, and follow all instructions on the tractor and in the manual(s) before attempting to assemble and operate. Keep this manual in a safe place for future and regular reference and for ordering replacement parts.
2. Be familiar with all controls and their proper operation. Know how to stop the tractor and disengage them quickly.
3. Never allow children under 14 years of age to operate this tractor. Children 14 and over should read and understand the instructions and safe operation practices in this manual and on the tractor and should be trained and supervised by an adult.
4. Never allow adults to operate this tractor without proper instruction.
5. If situations occur which are not covered in this manual, use care and good judgment. Contact your customer service representative for assistance.
6. According to the U.S. Consumer Products Safety Commission (CPSC) and the U.S. Environmental Protection Agency (EPA), this product has an estimated useful life of seven (7) years, under ordinary use conditions. At the end of its useful life, have the product inspected annually to ensure all mechanical and safety systems are operating properly, safely, and are not worn excessively. Failure to do so may result in accident, injury, or death.

### Preparation Before Operating

1. Thoroughly inspect the area where the tractor is to be used. Remove all stones, sticks, wire, bones, toys, and other foreign objects which could be picked up and thrown by the blade(s). Thrown objects can cause serious personal injury.
2. To help avoid blade contact or a thrown object injury, keep helpers at least 75 feet (23 meters) from the tractor while it is in operation. Keep bystanders, children and pets inside during operation. Stop tractor if anyone enters the area.
3. Be aware of the tractor discharge direction and do not point it at anyone.
4. Always wear safety glasses or safety goggles during operation and while performing an adjustment or repair to protect your eyes. Thrown objects which ricochet can cause serious injury to the eyes.
5. Wear sturdy, rough-soled work shoes and close-fitting slacks and shirts. Loose fitting clothes, jewelry and long hair can be caught in moving parts. Never operate this tractor in bare feet or sandals.
6. Never over fill fuel tank. Fill tank to no more than 1/2" (13mm) below bottom of filler neck to allow space for fuel expansion.

7. Replace gasoline cap and tighten securely.
8. Use only accessories and attachments approved for this tractor by the tractor manufacturer. Read, understand and follow all instructions provided with the approved accessory or attachment.

### Operator Protective System (OPS)

1. This tractor is equipped with an Operator Protective System (OPS), which includes:
  - a. Roll Over Protective Structure (ROPS) of the fixed or folding configuration.
  - b. Seat belt assembly with retractable function.
2. ROPS are structures designed to provide a crush-resistant space for the operator when properly seat-belted within the designated seating area of the tractor in the event of a tractor tip-over or rollover. ROPS shall be used in their fully upright and locked configurations except in those circumstances whereby they need to be momentarily folded down to avoid contact with items such as tree limbs, clothes lines, guy wires, utility poles, buildings, etc. At other times and conditions, ROPS shall be in their fully upright and locked configurations.
3. Seat belts shall be used and shall always be properly fastened about the operator's waist, except when the ROPS are:
  - a. Not properly installed and/or not properly secured onto the tractor.
  - b. Damaged in such manner that the ROPS structural integrity has been compromised.
  - c. Not in their fully upright and locked position.
4. Seat belts are attached to the movable portion of the seat when suspension seats are utilized, and therefore the seat-mounting base must be secured to its pivot means and the pivot means secured/latched to the frame of the tractor. Seat belts are attached to the seat or the frame of the tractor when non-suspension (standard) seat is provided, however, if a suspension kit is added to a seat, the seat belt must be attached to the movable portion of the seat or suspension mechanism, the seat-mounting base must be secured to its pivot means, and the pivot means be secured/latched to the frame of the tractor.

## ▲ DANGER

If ROPS are folded down or missing, seat belts shall not be fastened. A worn or damaged seat belt assembly or a damaged ROPS must be replaced prior to operator use of the tractor.

## SAFE OPERATIONS PRACTICES

5. The ROPS extends above and behind the operator position, and therefore the operator must be aware of potential contact of the ROPS with items such as tree limbs, buildings, doorways, clothes lines, utility/guy wires, etc., that could cause the tractor to tip-over or rollover. Use caution in (or avoid) areas where the ROPS could come in contact with any structures, trees, etc.
6. A brush guard or canopy may contact/deflect tree limbs, buildings, doorways, clothes lines, utility/guy wires, etc. that otherwise would come in contact with the ROPS. Contact of the ROPS and/or canopy with such items may create hazardous conditions whereby the tractor could experience a tip-over or roll-over.
7. The ROPS and seat belt are integral parts of this tractor and should not be tampered with, modified in any manner, or removed.
8. Inspect the ROPS and seat belt assemblies per the maintenance schedule shown in this manual for damage or loose hardware. Replace all components that are loose, damaged or not functioning properly with authorized replacement parts.
9. Failure to use the seat belt properly could result in serious injury or death if an accidental overturn occurs. For the ROPS in the full up position to be effective, the seat belt must be securely fastened around the operator at all times when the operator is on the tractor. The tractor operator coming in contact with the ROPS during a tip-over or rollover could cause serious injury or death.
10. The ROPS will not prevent tractor from tip-overs or roll-overs.
11. Do not assume ROPS will protect you in a tip-over or roll-over. Injuries may still occur.
8. Disengage blade(s), move the drive control levers fully outward to set the parking brake, stop engine and wait until the blade(s) come to a complete stop before removing grass catcher, emptying grass, unclogging chute, removing any grass or debris, or making any adjustments.
9. Your tractor is designed to cut normal residential grass of a height no more than 10" (25cm). Do not attempt to mow through unusually tall, dry grass (e.g. pasture) or piles of dry leaves. Dry grass or leaves may contact the engine exhaust and/or build up on the tractor deck presenting a potential fire hazard.
10. Back up slowly. Always look down and behind before and while backing to avoid a back-over accident.
11. Never carry passengers.
12. Stay at least 10 feet (3 meters) from drop-offs, ditches, embankments or the edge of water. The tractor could suddenly turn over if a wheel is over the edge of a cliff, ditch, or if an edge caves in.
13. A missing or damaged chute deflector can cause blade contact or thrown object injuries.
14. Do not operate the tractor without the chute deflector or entire grass catcher in its proper place.
15. Use extra care with grass catchers or other attachments. These can change the stability of the tractor. Always follow the attachment manufacturer's instructions.
16. Stop the blade(s) when crossing gravel drives, walks, or roads and while not cutting grass.
17. Watch for traffic when operating near or crossing roadways. This tractor is not intended for use on any public roadway.
18. Mow only in daylight or good artificial light.
19. Do not operate the tractor while under the influence of alcohol or drugs.
20. Slow down before turning. Operate the tractor smoothly. Avoid erratic operation and excessive speed.
21. The muffler and engine become very hot and can cause serious burn injuries. Do not touch. Allow the tractor to cool for five minutes before attempting any service.
22. Never run an engine indoors or in a poorly ventilated area. Engine exhaust contains carbon monoxide, an odorless, and deadly gas.

### Operating

1. Data indicates that operators, age 65 years and above, are involved in a large percentage of riding tractor-related injuries. These operators should evaluate their ability to operate the riding tractor safely enough to protect themselves and others from serious injury.
2. Disengage blade(s) and move the drive control levers fully outward to set the parking brake before attempting to start the engine.
3. Do not put hands or feet near rotating parts or under the cutting deck. Contact with the blade(s) can amputate hands and feet.
4. Watch for holes, ruts, bumps, rocks, or other hidden objects. Uneven terrain could overturn the tractor. Tall grass can hide obstacles.
5. Plan your mowing pattern to avoid discharge of material toward roads, sidewalks, helpers and the like. Avoid discharging material against a wall or obstruction which may cause discharged material to ricochet back toward the operator.
6. Check overhead clearances carefully before driving under low hanging tree branches, wires, door openings etc., where the operator may be struck or pulled from the tractor, which could result in serious injury.
7. Never leave a running tractor unattended. Always turn off blade(s), move drive control levers fully outward into park position, stop engine and remove key before dismounting.
1. Tragic accidents can occur if the operator is not alert to the presence of children. Children are often attracted to the tractor and the mowing activity. They do not understand the dangers. Never assume that children will remain where you last saw them.
2. Keep bystanders, children and pets inside during operation under the watchful care of a responsible adult other than the operator. Stop tractor if anyone enters the area.
3. Never carry children, even with the blade(s) shut off. They may fall off and be seriously injured or interfere with safe tractor operation. Children who have been given rides in the past could suddenly appear in the mowing area for another ride and be run over or backed over by the tractor.
4. Be alert and turn tractor off if a child or bystander enters the area.
5. To avoid back-over accidents, always look behind and down for small children.
6. Use extreme care when approaching blind corners, doorways, shrubs, trees or other objects that may block your vision of a child who may run into the path of the tractor.

# SAFE OPERATIONS PRACTICES

7. Never allow children under 14 years of age to operate this tractor. Children 14 and over should read and understand the instructions and safe operation practices in this manual and on the tractor and should be trained and supervised by an adult.
8. Do not allow any child to joy ride on the tractor. The tractor is not a toy or a go-cart. Warn your children that the tractor can be dangerous and they must stay away from it at all times.
9. Keep children away from hot or running engines. They can suffer burns from a hot muffler.
10. Remove key when tractor is unattended to prevent unauthorized operation. Make certain the key is inaccessible to small children.
3. Use only an approved gasoline container.
4. Never remove gas cap or add fuel while the engine is hot or running. Allow engine to cool at least five minutes before refueling.
5. Never fuel tractor indoors.
6. Never store the tractor or fuel container inside where there is an open flame, spark or pilot light as on a water heater, space heater, furnace, clothes dryer or other gas appliances.
7. If gasoline is spilled, wipe it off the engine and equipment. Clean up oil or fuel spillage and remove any fuel soaked debris. Move tractor to another area. Wait 5 minutes before starting the engine.
8. To reduce fire hazards, keep tractor free of grass, leaves, or other debris build-up. Follow the "Post-Operation Tractor Care" instructions in the Service and Maintenance section.

## Slope Operation for Lapbar Zero-Turn Tractors

1. Slopes are a major factor related to loss of control and tip-over accidents which can result in severe injury or death. All slopes require extra caution. If you cannot back up the slope or if you feel uneasy on it, do not mow it.
2. For your safety, measure any slope before using the tractor on the sloped area. Use a slope measuring device in addition to the slope gauge included as part of this manual to measure slopes before operating this tractor on a sloped or hilly area. Smart phone applications can be also utilized to measure slopes. If the slope is greater than 15 degrees as shown on the slope gauge or a slope measuring device, do not operate this tractor on that area or serious injury could result.
3. Do not mow on slopes greater than 15 degrees (25%).
4. Do not mow up or down slopes, only mow across slopes that are less than 15 degrees (25%). Use low speeds and avoid sudden turns.
5. Do not mow on wet grass. Reduced traction could cause sliding or a loss of control.
6. Do not operate tractor under any conditions where traction, steering or stability is in question. Tires could slide even if the wheels are stopped.
7. Avoid starting and stopping on slopes. Avoid making sudden changes in speed or direction. Make turns slowly and gradually.
8. Use extra care while operating tractor with grass catcher or other attachment(s). They can affect the stability of the tractor. Do not use grass catcher on slopes greater than 10 degrees (17%).
9. Do not try to stabilize the tractor by putting your foot on the ground.
10. Keep all movement on the slopes slow and gradual. Do not make sudden changes in speed or direction. Rapid acceleration could cause the front of the tractor to lift and rapidly roll over backwards, which could cause serious injury or death.
9. Your tractor is designed to cut normal residential grass of a height no more than 10" (25cm). Do not attempt to mow through unusually tall, dry grass (e.g., pasture) or piles of dry leaves. Dry grass or leaves may contact the engine exhaust and/or build up on the tractor deck presenting a potential fire hazard.
10. Never over fill fuel tank. Fill tank to no more than 1/2" below bottom of filler neck to allow space for fuel expansion.
11. Replace gasoline cap and tighten securely. Do not operate without fuel cap in place.
12. Allow a tractor to cool at least five minutes before fueling or storing.
13. Never fill containers inside a vehicle or on a truck or trailer bed with a plastic liner. Always place containers on the ground away from your vehicle before filling.
14. When practical, remove gas-powered equipment from the truck or trailer and refuel it on the ground. If this is not possible, then refuel such equipment on a trailer with a portable container, rather than from a gasoline dispenser nozzle.
15. Keep the nozzle in contact with the rim of the fuel tank or container opening at all times until fueling is complete. Do not use a nozzle lock-open device.

## Hauling

1. Use properly secured full width ramps for loading and unloading a tractor for transport.
2. Use extra care when loading or unloading the tractor into a trailer or truck. This tractor should not be driven up or down ramp(s), because the tractor could tip over, causing serious personal injury. The tractor must be pushed manually on ramp(s) to load or unload properly.
3. Raise the deck to the highest position for loading clearance.

## Towing with your Lapbar Zero-Turn Tractors

1. Do not tow a load that exceeds 250 lbs (113 kg) rolling weight and never exceed 50 lbs (22 kg) tongue weight.
2. Do not attach towed equipment except at the hitch point of the tractor.
3. Never allow children or others in or on towed equipment.
4. Do not tow on slopes greater than 5 degrees (9%). On slopes, the weight of the towed equipment may cause loss of traction and loss of control and/or the ability to stop.
5. Always use extra caution when towing with a tractor capable of making tight turns (e.g. "zero-turn" ride-on tractor). Make wide turns to avoid jack-knifing.

## Fire & Fuel

1. To avoid personal injury or property damage use extreme care in handling gasoline. Gasoline is extremely flammable and the vapors are explosive. Serious personal injury can occur when gasoline is spilled on yourself or your clothes which can ignite. Wash your skin and change clothes immediately.
2. Extinguish all cigarettes, cigars, pipes and other sources of ignition.

# SAFE OPERATIONS PRACTICES

6. Travel slowly and allow extra distance to stop.

## Service

1. Keep machine in good working order. Do not use the tractor until worn or damaged parts are replaced.
2. To avoid serious injury or death, do not modify engine in any way. Tampering with the governor setting can lead to a runaway engine and cause it to operate at unsafe speeds. Never tamper with factory setting of engine governor. Do not change the engine governor settings or over-speed the engine. The governor controls the maximum safe operating speed of the engine.
3. Tractor blades are sharp. Wrap the blade or wear gloves, and use extra caution when servicing them.
4. Tractors with hydraulic pumps, hoses or motors; and/or diesel injections systems have fluid systems under pressure. Fluid escaping under pressure may have sufficient force to penetrate skin and cause serious injury. If fluid is injected into the skin, seek immediate medical attention. Keep body and hands away from pin holes or nozzles that eject fluid under high pressure. If a leak occurs, have the tractor immediately serviced by an authorized dealer.
5. Before cleaning, repairing, or inspecting, make certain the blade(s) and all moving parts have stopped. Turn off the engine, remove the key, and disconnect the spark plug wire(s) and ground against the engine to prevent unintended starting.
6. Check to make sure the blades come to complete stop in not more than (5) five seconds after disengaging the blade disengagement control per the schedule shown on the Maintenance Schedule chart in the Service and Maintenance section of this manual. Measure the stopping time with a stop watch. If the blades do not stop completely in less than five seconds, your tractor should be serviced professionally by an authorized dealer.
7. Check the safety interlock system for proper function per the schedule shown on the Maintenance Schedule chart in the Service and Maintenance section of this manual. If the safety interlock system does not function properly, have your tractor serviced professionally by an authorized dealer.
8. Never tamper with the safety interlock system or other safety devices. Check their proper operation regularly.
9. Check the blade(s) and engine mounting bolt torque in accordance to Maintenance Schedule chart in this manual. Also, visually inspect blade(s) for damage (e.g., excessive wear, bent, cracked). Replace the blade(s) with the original equipment manufacturer's (O.E.M.) blade(s) only.
10. Use of service parts which do not meet the original equipment specifications may lead to improper performance and compromise safety.
11. Keep all nuts, bolts, and screws tight to be sure the equipment is in safe working condition. Review the Maintenance Schedule chart in this manual for service interval information.

12. After striking a foreign object, stop the engine, disconnect the spark plug wire(s) and ground against the engine. Thoroughly inspect the tractor for any damage. Repair the damage before starting and operating.

13. Never attempt to make adjustments or repairs to the tractor while the engine is running.

14. Grass catcher components and the chute deflector are subject to wear and damage which could expose moving parts or allow objects to be thrown. Frequently check components and replace immediately with original equipment manufacturer's (O.E.M.) parts only.

15. Maintain or replace safety and instruction labels, as necessary.

16. Observe proper disposal laws and regulations for gas, oil, etc. to protect the environment.

## Notice Regarding Emissions

Engines which are certified to comply with California and federal EPA emission regulations for SORE (Small Off Road Equipment) are certified to operate on regular unleaded gasoline, and may include the following emission control systems: Engine Modification (EM) and Three Way Catalyst (TWC) if so equipped.

When required, models are equipped with low permeation fuel lines and fuel tanks for evaporative emission control. California models may also include a carbon canister. Please contact Customer Support for information regarding the evaporative emission control configuration for your model.

## Spark Arrestor

### ▲ WARNING

This tractor is equipped with an internal combustion engine and should not be used on or near any unimproved forest-covered, brush-covered or grass-covered land unless the engine's exhaust system is equipped with a spark arrestor meeting applicable local or state laws (if any).







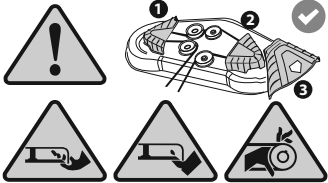


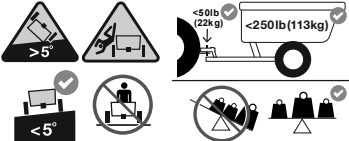
If a spark arrestor is used, it should be maintained in effective working order by the operator. In the State of California the above is required by law (Section 4442 of the California Public Resources Code). Other states may have similar laws. Federal laws apply on federal lands.

A spark arrestor for the muffler is available through your nearest engine authorized service dealer or contact the service department, P.O. Box 361131 Cleveland, Ohio 44136-0019.

# SAFE OPERATIONS PRACTICES

## Safety Symbols

This page depicts and describes safety symbols that MAY APPEAR on this product.

Symbol	Description
 <p>OPESymbol.com</p>	<p><b>WARNING – READ OPERATOR’S MANUAL</b> Read, understand and follow all the safety rules and instructions in the manual(s) and on the tractor before attempting to operate this tractor. Failure to comply with this information may result in personal injury or death. Keep this manual in a safe location for future and regular reference. Using a Smart Phone, scan the QR code symbol to learn more information concerning the warnings contained on this tractor. You can also go to <a href="http://www.OPESymbol.com">www.OPESymbol.com</a> for more information.</p>
	<p><b>WARNING – AVOID THROWN OBJECTS INJURY</b> Keep helpers at least 75' (23 meters) from machine during operation. Remove all stones, sticks, wire, bones, toys, and other foreign objects which could be picked up and thrown by the blade(s). Do not operate the tractor without the discharge cover or entire grass catcher in its proper place.</p>
	<p><b>WARNING – AVOID CHILD BACKOVER/RUNOVER/BLADE INJURY</b> To avoid back-over accidents, always look behind and down for small children. Never carry children, even with the blade(s) shut off. Keep bystanders, children and pets inside during operation under the watchful care of a responsible adult other than the operator. Stop tractor if anyone enters the area.</p>
	<p><b>WARNING – AVOID TIP-OVER/ROLL-OVER INJURY</b> Do not operate machine on a slope greater than 15° (25%). Do not mow up or down slopes, only mow across slopes that are less than 15 degrees (25%). Use low speeds and avoid sudden turns on slopes. Stay at least 10 feet (3 meters) from drop-offs, ditches, embankments or the edge of water.</p>
	<p><b>WARNING – AVOID FIRES</b> Your tractor is designed to cut normal residential grass of a height no more than 10" (25cm). Do not attempt to mow through unusually tall, dry grass (e.g., pasture) or piles of dry leaves. Allow a tractor to cool at least five minutes before fueling or storing inside an enclosed garage or storage shed.</p>
	<p><b>WARNING – AVOID AMPUTATION INJURY</b> Do not put hands or feet near or under the cutting deck. Contact with the blade(s) can amputate hands and feet.</p>
	<p><b>WARNING – AVOID AMPUTATION INJURY</b> Do not put hands or feet near rotating parts or under the cutting deck. Contact with the blade(s) can amputate hands and feet. Ensure that all safety devices (guards, shields, switches, etc.) are in place and working. Belt and/or blade spindle contact can crush or injure body parts.</p>
	<p><b>WARNING – AVOID CRUSH/PINCH POINT INJURY</b> Read, understand and follow all the safety rules and instructions in the manual(s) and on the tractor before attempting to service this tractor. For foot lift models only, the deck lift system is spring-assisted and under tension. Always use the provided multi-tool to secure the lift system in the locked position before attempting to remove the mower deck.</p>
	<p><b>WARNING – REMOVE KEY</b> Always turn off blade(s), move the drive control levers outward into park position, stop engine and remove key before dismounting. If you are leaving the tractor unattended, always remove the key to prevent unauthorized use by children or others.</p>
	<p><b>WARNING – AVOID TOWING RELATED INJURY</b> Do not tow a load that exceeds 250 lbs (113 kg) rolling weight and never exceed 50 lbs (22 kg) tongue weight. Never allow children or others in or on towed equipment. Do not tow on slopes greater than 5 degrees (9%). On slopes, the weight of the towed equipment may cause loss of traction, loss of control and/or loss of the ability to stop. Travel slowly and allow extra distance to stop.</p>

### ⚠ WARNING

Your Responsibility — Restrict the use of this power machine to persons who read, understand and follow the warnings and instructions in this manual and on the machine.

SAVE THESE INSTRUCTIONS!

# Slope Gauge

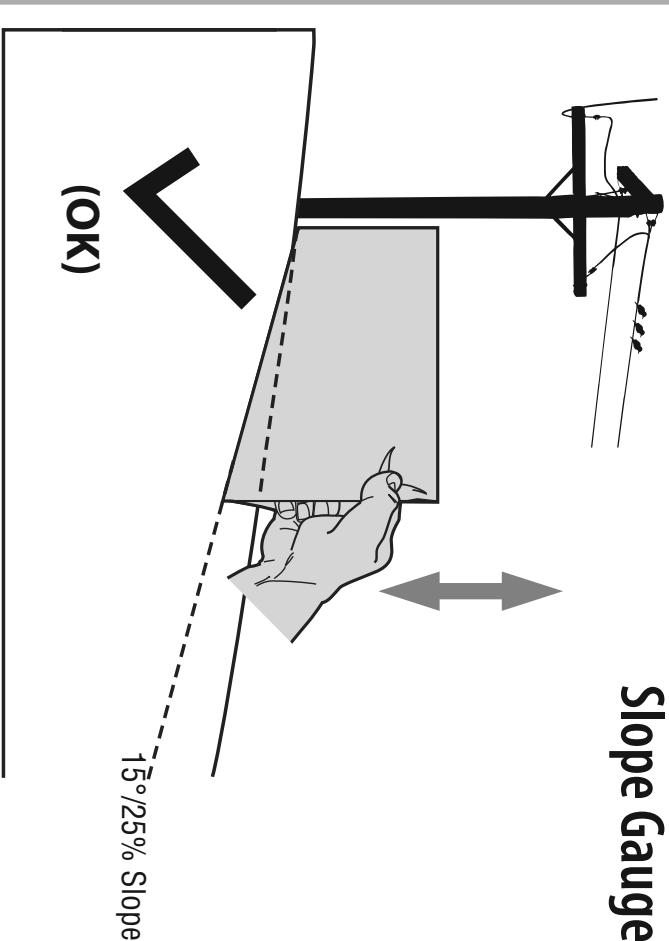


Figure 1

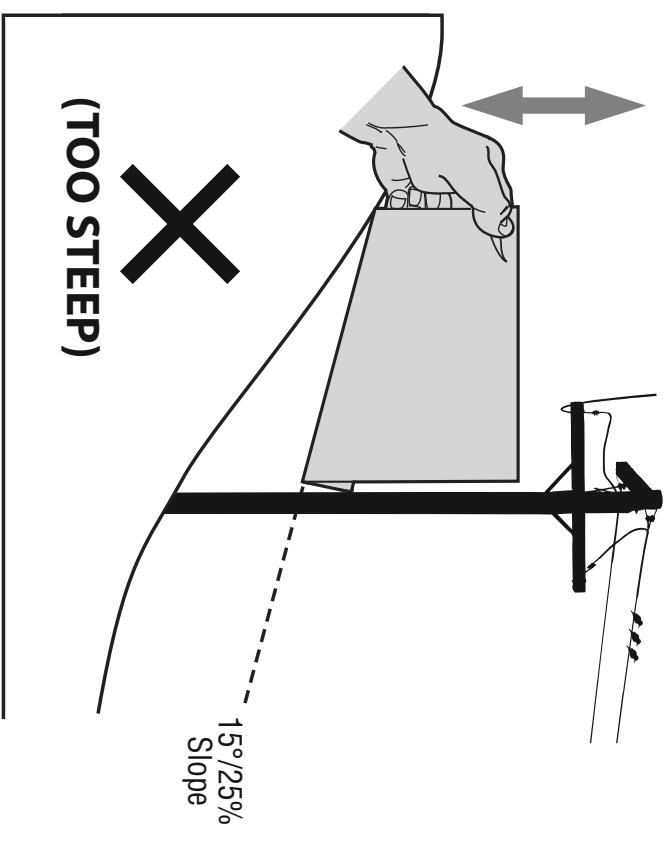


Figure 2

## USE THIS SLOPE GAUGE TO DETERMINE IF A SLOPE IS TOO STEEP FOR SAFE OPERATION!

To check the slope, proceed as follows:

1. Remove this page and fold along the dashed line.
2. Locate a vertical object on or behind the slope (e.g. a pole, building, fence, tree, etc.)
3. Align either side of the slope gauge with the object (See Figure 1 and Figure 2).
4. Adjust gauge up or down until the left corner touches the slope (See Figure 1 and Figure 2).
5. If there is a gap below the gauge, the slope is too steep for safe operation (See Figure 2 above).

15°/25% dashed line



**WARNING!** Slopes are a major factor related to tip-over and roll-over accidents which can result in severe injury or death. Do not operate machine on slopes in excess of 15 degrees. All slopes require extra caution. If you cannot back up the slope or if you feel uneasy on it, do not mow it.

# ASSEMBLY

**Note:** This Operator's Manual covers several models. Tractor features may vary by model. Not all features in this manual are applicable to all tractor models and the tractor depicted may differ from yours.

**Note:** All references in this manual to the left or right side and front or back of the tractor are from the operating position only. Exceptions, if any, will be specified.

## Preparation

### Manually Move the Tractor

1. To engage the transmission bypass rods, pull the rod back (a) and into lower section of "J" slot. Repeat on opposite side. See Figure 1.
2. After moving tractor, reverse step one to disengage the bypass rods.

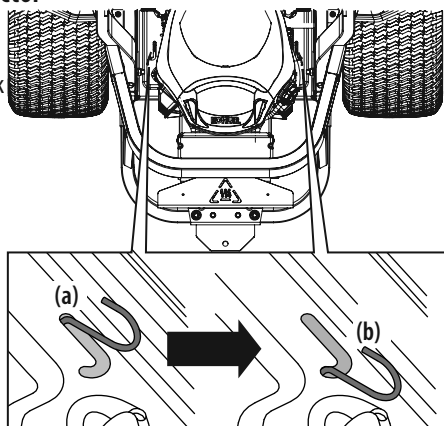


Figure 1

### Install Hitch (If necessary)

1. Locate Hitch (a) and install on the rear of the frame using the two hex washer screws (b) provided. See Figure 2.
- Note:** Hitch and hex washer screws will be in the hardware pack.

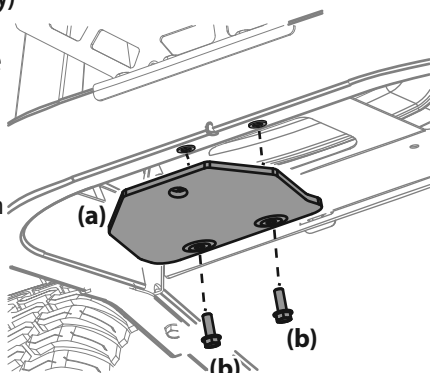


Figure 2

### Roll Over Protective System (ROPS)

Refer to Figure 3 and the following descriptions and uses for the three (3) positions for the Upper ROPS.

- **TRANSPORT:** Only to be used when transporting the tractor or when they need to be momentarily folded-down to avoid contact with items such as tree limbs, clothes lines, guy wires, utility poles, buildings, etc.
- **TRANSPORT WITH BAGGER:** Allows for the ROPS to be lowered for situations outlined for the TRANSPORT position when the tractor is equipped with a bagger.
- **OPERATION:** The ROPS should always be in this position when operating unless the situations involved outlined in the TRANSPORT and TRANSPORT WITH BAGGER descriptions arise.

### Upper ROPS Positions

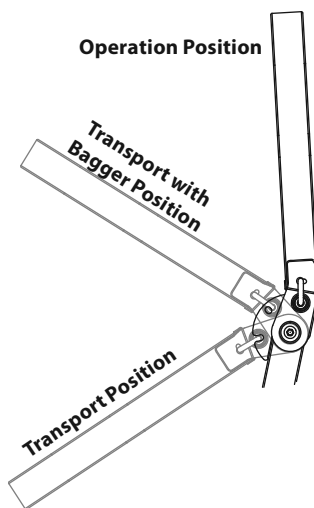


Figure 3

To change the position of the ROPS:

1. Pull slightly up on the ROPS to relieve any tension on the locking pin (a) and rotate the locking pin (a) from the LOCKED (b) position into the ADJUSTMENT (c) position. Repeat the procedure for the locking pin on the opposite side. See Figure 4.
2. Move the ROPS into the desired position. See Figure 5.
3. Rotate both locking pins into the LOCKED position. Move the upper ROPS slightly until the locking pins settle, engaged in the LOCKED position.

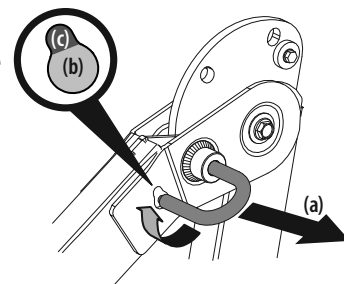


Figure 4

**Note:** The three positions are TRANSPORT (a) position, TRANSPORT WITH BAGGER (b) position and into the OPERATION (c) position.

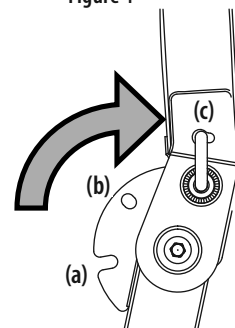


Figure 5

3. Rotate both locking pins into the LOCKED position. Move the upper ROPS slightly until the locking pins settle, engaged in the LOCKED position.

**Note:** See properly seated (fully engaged) ROPS pin in Figure 6.

### ⚠ DANGER

Always verify that both right and left locking pins of the ROPS are settled and fully engaged all the way through the hinge assembly so that each locking pin is visible on the inside face. Failure to fully lock each locking pin may result in serious injury or death.

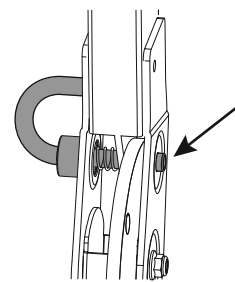


Figure 6

### Install Operator's Seat (If Necessary)

1. Cut any straps securing the seat assembly to the tractor. Remove all packing material.
2. Install the seat onto the seat pan (b) using flange lock nuts (a). See Figure 7.
3. If necessary, securely connect the seat switch wiring harness (a) to the seat switch (b). See Figure 8. Secure excess wire away from pinch points before continuing.

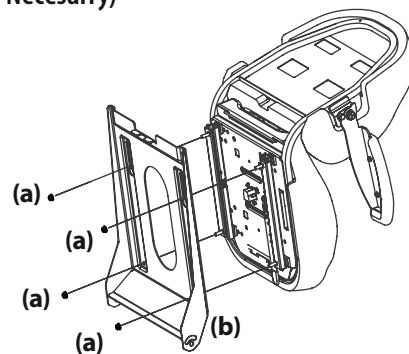


Figure 7

**Note:** Tractor will not operate without the seat switch wiring harness connected.

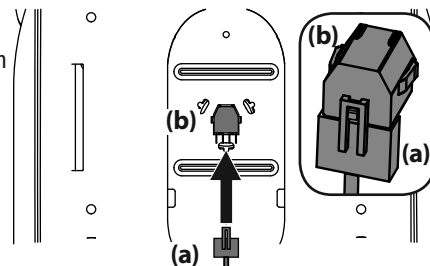


Figure 8



# ASSEMBLY

## Position Lapbar Drive Control Levers

The lapbar drive control levers can be adjusted up/down and forward/backward for the operator's comfort. Three height positions are available and/or levers can be rotated forward or rearward using the knob.

To adjust the lapbar drive control lever height, proceed as follows:

1. Remove the two carriage screws (a) and two flange lock nuts (b) that secure the lapbar drive control lever (c) to the upper handle adjuster (d). See Figure 9.

**Note:** The multi-tool (if equipped) can be used to make this adjustment.

2. Move the lapbar drive control lever into one of the three available heights and secure in place with the carriage screws and flange lock nuts. See Figure 9.

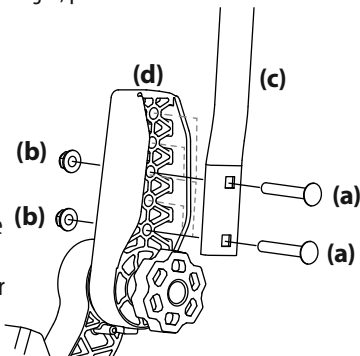


Figure 9

To adjust the lapbar drive control levers forward/rearward, proceed as follows:

1. Rotate the knob (a) counter-clockwise to loosen the knob (a). See Figure 10.
2. Lift and rotate the lapbar drive control lever into the desired position.
3. Rotate the knob clockwise to secure the lapbar drive control lever into position. See Figure 10.

4. If the lapbars do not line up after making the knob adjustment, loosen nuts (b), align lapbars and retighten nuts. Once this fine adjustment is made, the lapbars will align when using the knob adjustment. See Figure 9.

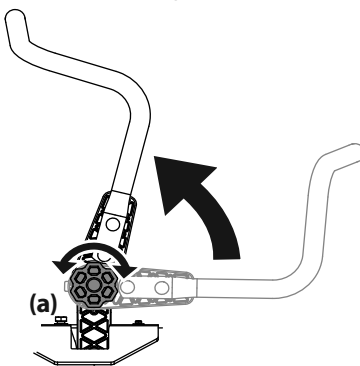


Figure 10

## Lower Deck Discharge Chute Deflector

### ⚠ WARNING

Never operate the mower deck without the chute deflector installed and in the down position.

1. The chute is shipped attached and with a stop bracket holding the chute upright. The stop bracket must be removed prior to operating the tractor. See Figure 11.
2. Holding the chute deflector fully upward, remove the stop bracket:
  - a. Grasp the bracket (a) from behind the chute on top of the deck.
  - b. Lift up slightly to free the bracket from the notch (b).
  - c. Pull back to fully remove the bracket.

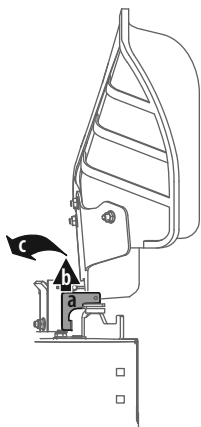


Figure 11

## Setting Deck Wheels

**Note:** The deck wheels are an anti-scalp feature of the deck and are not designed to support the weight of the cutting deck.

1. Move the tractor to a level surface, preferably pavement.
2. Check tire pressure, adjust, if necessary. See tire side wall for proper tire pressure.

3. Make sure the deck is level side-to-side and properly pitched. See the Service & Maintenance section for deck leveling information and instructions.
4. Place knob in the desired mowing height position and lower the deck.
5. Check the deck wheels for contact or excessive clearance with the surface below.

**Note:** The deck wheels should have between 1/4" (6.35mm) and 1/2" (12.7mm) clearance above the ground.

6. Remove the lock nut (a) securing one of the front gauge wheels to the deck. Remove the shoulder screw (b), tube spacer (c) and shoulder spacer (e) to remove the wheel (d). See Figure 12.

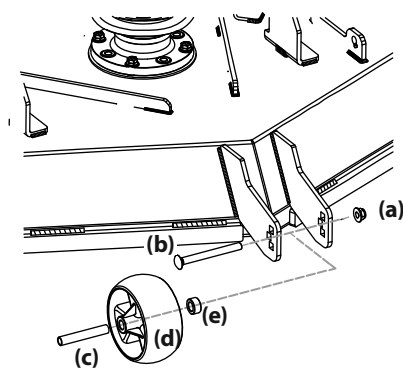


Figure 12

7. Line up the gauge wheel with the tube spacer through the center, and the shoulder spacer on the shorter side hub of the gauge wheel, and position the assembly inside the brackets at the desired height.

**Note:** Allow a 1/4-1/2" (6.35-12.7 mm) clearance between the ground and gauge wheel.

8. Insert the shoulder screw into the chosen index hole on the front gauge wheel bracket.

**Note:** On the left side and right side deck gauge wheels, the shoulder screw must be installed from the outside of the tractor inward, through the square hole on the bracket. On center deck gauge wheels (if equipped) the shoulder screw side of the assembly can be installed from either direction. See Figure 13.

9. Secure with the lock nut previously removed.

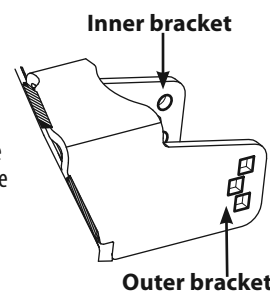


Figure 13

## Battery Information

### ⚠ WARNING

California **PROPOSITION 65 WARNING:** Battery posts, terminals, and related accessories contain lead and lead compounds, chemicals known to the State of California to cause cancer and reproductive harm. Wash hands after handling.

### ⚠ WARNING

Should battery acid accidentally splatter into the eyes or onto the skin, rinse the affected area immediately with clean cold water. Seek prompt medical attention.

If acid spills on clothing, first dilute it with clean water, then neutralize with a solution of ammonia/water or baking soda/water.

**NEVER** connect (or disconnect) battery charger clips to the battery while the charger is turned on, as it can cause sparks.

Keep all sources of ignition (cigarettes, matches, lighters) away from the battery. The gas generated during charging can be combustible.

As a further precaution, only charge the battery in a well ventilated area.

Always shield eyes and protect skin and clothing when working near batteries.

Batteries contain sulfuric acid and may emit explosive gases. Use extreme caution when handling batteries. Keep batteries out of the reach of children.

# ASSEMBLY

## ⚠ CAUTION

When attaching battery cables, always connect the POSITIVE (Red) wire to terminal first, followed by the NEGATIVE (Black) wire.

**Note:** The positive battery terminal is marked Pos. (+). The negative battery terminal is marked Neg. (-).

## Connecting Battery Cables

## ⚠ WARNING

Always connect the positive lead to the battery before connecting the negative lead. This will prevent sparking or possible injury from an electrical short caused by contacting the tractor body with tools being used to connect the cables.

For shipping reasons the factory may leave both battery cables disconnected from the terminals. To connect the battery cables, proceed as follows:

1. If present, remove the plastic cover from the positive battery terminal. Attach the red connector to the positive battery terminal (+) using the bolt (a) and hex nut (b). See Figure 14.
2. If present, remove the plastic cover from the negative battery terminal and attach the black cable to the negative battery terminal (-) with the bolt (a) and hex nut (b). See Figure 14.
3. Position the red rubber boot (c) over the positive battery terminal (+) to help protect it from corrosion. See Figure 14.

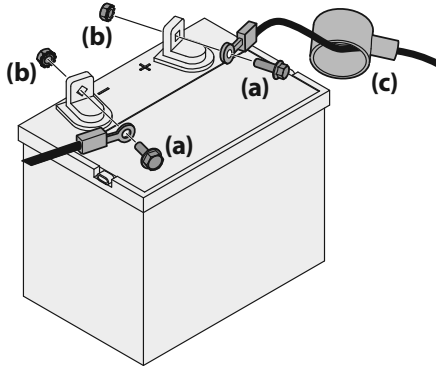


Figure 14

**Note:** If the battery is put into service after date shown on top/side of battery, charge the battery as instructed in the Service & Maintenance section, prior to operating.

## Battery Maintenance

- The battery is filled with battery acid and then sealed at the factory. However, even a "maintenance free" battery requires some maintenance to ensure its proper life cycle.
- Spray the terminals and exposed wire with a battery terminal sealer, or coat the terminals with a thin coat of grease or petroleum jelly, to protect against corrosion.
- Always keep the battery cables and terminals clean and free of corrosion.
- Avoid tipping. Even a sealed battery will leak electrolyte when tipped.

## Battery Storage

- When storing the tractor for extended periods, disconnect the negative battery cable. It is not necessary to remove the battery.
- All batteries discharge during storage. Keep the exterior of the battery clean, especially the top. A dirty battery will discharge more rapidly.
- The battery must be stored with a full charge. A discharged battery can freeze sooner than a charged battery. A fully charged battery will store longer in cold temperatures than hot.

- Recharge the battery before returning to service. Although the tractor may start, the engine charging system may not fully recharge the battery.

## Battery Removal

## ⚠ WARNING

Battery posts, terminals and related accessories contain lead and lead compounds. Wash hands after handling.

The battery is located beneath the seat frame. To remove the battery:

1. Remove the hex washer screw (a) securing the battery hold-down bracket (b) to the frame. Then flip the battery hold-down bracket (b) up to free the battery. See Figure 15.
2. Remove the hex cap screw and sems nut securing the black negative battery lead to the negative battery post (marked NEG). Move the cable away from the negative battery post.
3. Remove the hex cap screw and sems nut securing the red positive battery lead to the positive battery post (marked POS).
4. Carefully lift the battery out of the tractor.
5. Install the battery by repeating the above steps in the reverse order.

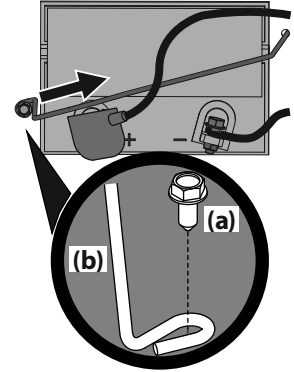


Figure 15

## Charging the Battery

Test and, if necessary, recharge the battery after the tractor has been stored for a period of time.

- A voltmeter or load tester should read 12.6 volts (DC) or higher across the battery terminals. See Figure 16.

Voltmeter Reading	State of Charge	Charging Time
12.7	100%	Full Charge
12.4	75%	90 Min.
12.2	50%	180 Min.
12.0	25%	280 Min.

- Charge the battery with a 12-volt battery charger at a MAXIMUM rate of 10 amps.

Figure 16

## Operating the Seat Latch

1. Place the lapbar drive control levers fully out in the parking brake position.
2. Locate the seat latch at the rear base of the seat.
3. Press downward on the front tabs to disengage the seat latch.
4. Rotate the entire seat pan upward. See Figure 17.

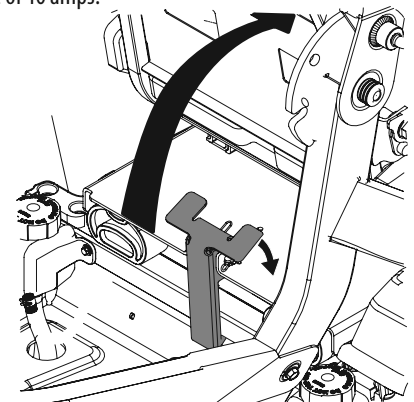


Figure 17

# ASSEMBLY

## Attaching the Seat Tether (ZT6 Models Only)

ZT6 Models are shipped with the seat folded forward, and the seat tether cable detached from the seat pan.

1. Locate the seat tether cable. The lower end will be preinstalled on the inner left side of the frame.
2. Using a 7/16" wrench and a 3/8" wrench remove the shoulder bolt and hex lock nut from the left side of the seat pan.
3. Install the detached end of seat tether cable onto the seat pan with the hardware previously removed as shown in Figure 18:
  - a. Slide the cable onto the shoulder bolt previously removed.
  - b. Route the shoulder bolt through the hole from the inside outward.
  - c. Secure the cable with the hex lock nut and torque to 68-102 in-lbs (8-11.5 N-m).

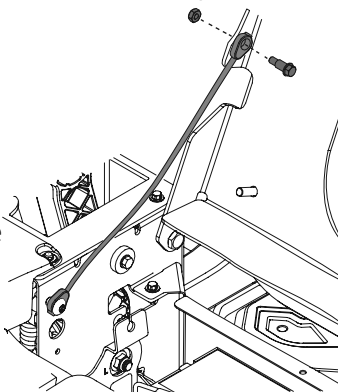


Figure 18

## Adjusting the Seat

1. Push left and hold the seat adjustment lever to adjust the seat position.
2. Slide seat forward or rearward to desired position.
3. Release the adjustment lever. Ensure seat is locked into position before operation. See Figure 19.

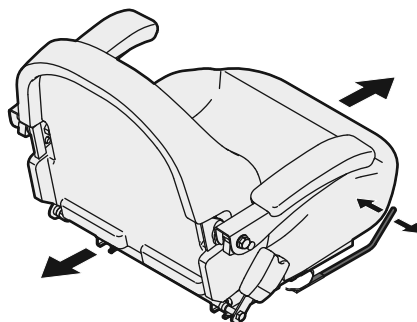


Figure 19

## Adjusting the Mechanical Suspension Mechanism (ZT6 Models Only)

The mechanical suspension mechanism (if equipped) incorporates weight/ride adjustment controls for operators in the 125 to 275 lb. (57-124 kg) weight range. Turn the knob on the front of the seat clockwise to increase the weight capacity and counter-clockwise to decrease. See Figure 20.



Figure 20

**Note:** The seat base must be secured by the latch, otherwise, the seat assembly could tilt forward. The Operator Presence Sensor must be connected to the electrical wiring harness.

# OPERATION

**Note:** This Operator's Manual covers several models. Tractor features may vary by model. Not all features in this manual are applicable to all tractor models and the tractor depicted may differ from yours.

**Note:** References to LEFT, RIGHT, FRONT, and REAR indicate that position on the tractor when facing forward while seated in the operator's seat.

## ① Lapbar Drive Control Levers

The RH (Right Hand) and LH (Left Hand) lapbar drive control levers are located on each side of the operator's seat. The hinged levers pivot outward to permit the operator to sit in the seat, or dismount. To start the tractor's engine, the lapbar drive control levers must be fully out and in park position. When the lapbar drive control levers are fully outward, the parking brake is engaged.

Each drive control lever controls the respective transmission. Consequently, these levers control all of the tractor's movement. Driving and steering using these control levers is quite different from a conventional tractor and will take practice to master. Refer to Practice Operation section for further instructions.

## ② Deck Height Index

Each rotation represents a 1/4" (6.35 mm) change in deck height. Positions range from 1" (2.5 cm) to 4-3/4" (12 cm) at the highest point. See 4a and 4b in Figure 21.

## ③ Deck Transport Lock Control

The deck transport lock control is used to lock the deck above its highest cut setting into transport mode. To engage the deck transport lock control depress the deck lift pedal (4a) and move the deck transport lock control into its rear position. To disengage the transport lock and set the deck to its designated cut height, depress the deck lift pedal and move the deck transport lock control into its front position.

## ④a Deck Lift Pedal

The deck lift pedal is located on the front, right corner of the platform. The pedal is used in conjunction with the deck lift knob to raise and lower the mowing deck. Push forward on the deck lift pedal, rotate the deck lift knob to the desired height and release the deck lift pedal.

## ④b Deck Lift Knob

The deck lift knob is used in conjunction with the deck lift pedal to raise and lower the mowing deck. Push forward on the deck lift pedal, rotate the deck lift knob to the desired height and release the deck lift pedal.

## ⑤ Power Take-Off (PTO)

### Electric PTO

The PTO switch operates the electric PTO clutch mounted on the bottom of the engine crankshaft. Pull the switch knob upward to engage the PTO clutch, or push the knob downward to disengage the clutch.

The PTO switch must be in the "OFF" position when starting the engine.

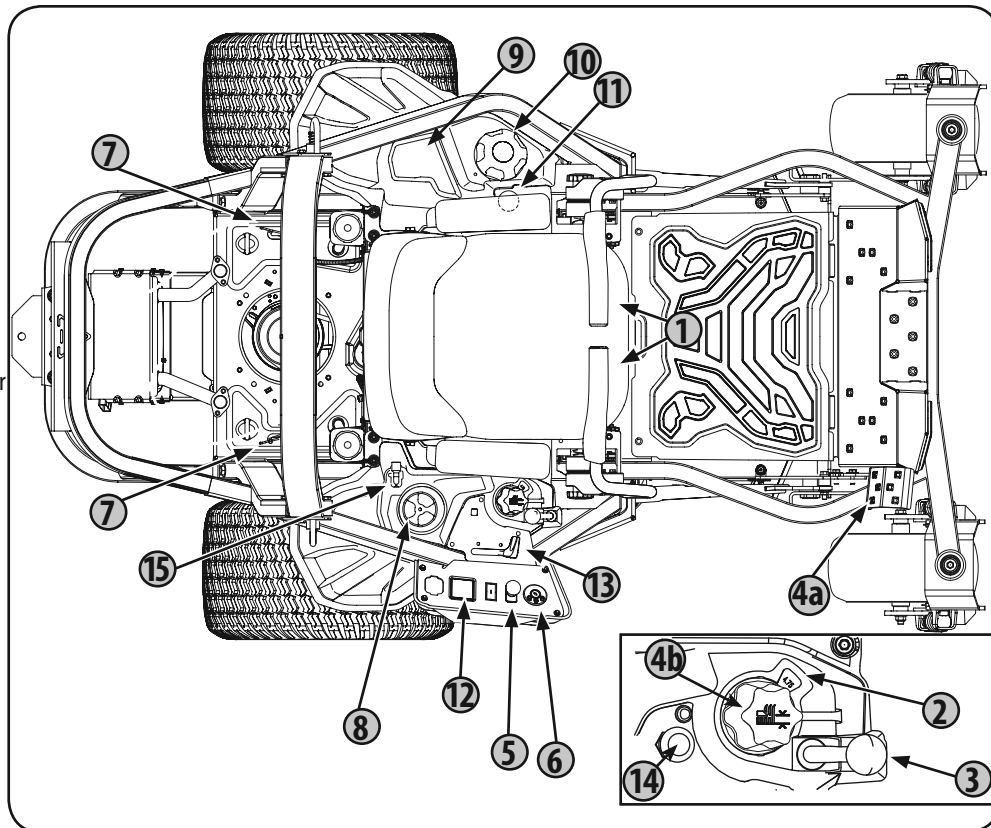


Figure 21

## ⑥ Ignition Switch

### ⚠ WARNING

Never leave a running machine unattended. Always disengage PTO, set parking brake, stop engine and remove key to prevent unintended starting.

The ignition switch has three positions:

STOP — The engine and electrical system is turned off.

RUN — The tractor electrical system is energized.

START — The starter motor will turn over the engine. Release the key immediately when the engine starts.

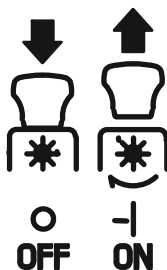
**Note:** To prevent accidental starting and/or battery discharge, remove key from the ignition switch when tractor is not in use.

## ⑦ Transmission Bypass Rods

The transmission bypass rods (one for each RH and LH transmission) are located on the rear of the tractor, next to the engine. When engaged, the two rods open a bypass within the hydrostatic transmissions, which allows the tractor to be pushed short distances by hand. Refer to the Assembly section for additional instructions.

### ⚠ CAUTION

Never tow your tractor. Towing the tractor with the rear wheels on the ground may cause severe damage to the transmissions.



# OPERATION

## 8 Cup Holder

The cup holder is located on the top of the console.

## 9 Storage Tray

The storage tray is located to the rear of the console.

## 10 Fuel Tank Cap

Turn the fill cap counter clockwise and pull upward to remove. The fuel cap is tethered to the tractor to prevent its loss. Do not attempt to remove the cap from the tractor. Fill tank to  $\frac{1}{2}$ " (12.7 mm) below the bottom of the filler neck, allowing some space in the tank for fuel expansion. Do not overfill the tank.

Push the cap downward on the fuel tank fill neck and turn at least two clicks clockwise to tighten. Always re-install the fuel cap tightly onto the fuel tank after removing.

### ⚠ WARNING

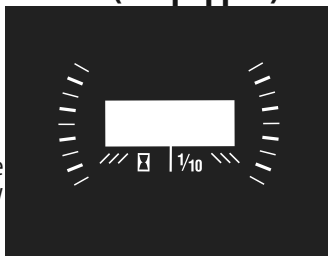
Never fill the fuel tank when the engine is running. If the engine is hot from recently running, allow to cool for at least five minutes before refueling. Highly flammable gasoline could splash onto the engine and cause a fire.


## 11 Fuel Gauge

The fuel gauge is located to the left of the seat and provides an indicator of the current fuel level in the tank.

## 12 Hour Meter & LCD Service Minder (If equipped)

The LCD service minder will remind the operator of maintenance intervals for changing the engine oil, air filter service, low engine and low battery warnings. When the key is rotated out of the STOP position but is not in the START position, the LCD service minder & hour meter will briefly display the battery voltage, followed by the tractor's accumulated hours.



**Note:** When the ignition key is out of the STOP position the hourglass  symbol is illuminated/blinks to indicate it is recording the hours of tractor operation, regardless of whether the engine has been started.

### Change Oil

The LCD screen will alternate the letters "CHG", followed by "OIL", followed by "SOON", followed by the meter's accumulated time. "CHG/OIL/SOON/TIME" will alternate on the display for 7 minutes after the meter reaches 50 hours. This oil service minder interval will occur every 50 hours. Before the interval expires, change the engine oil as instructed in the Engine Operator's Manual

### Low Oil

**Note:** The low oil pressure function only works if the engine is equipped with an oil pressure switch.

The LCD screen will alternate the letters "LO" followed by "OIL", followed by the meter's accumulated time, which indicates the engine has low oil pressure. This is common when starting an engine. The indicator will remain active until the engine sufficiently builds pressure after starting. If it remains on with the engine at full speed and after a few minutes of operation, stop the tractor immediately and check the engine oil level and add as instructed in the Engine Operator's Manual. If the oil level is correct and the indicator persists, contact an authorized service dealer.

### Low Battery

At startup, the battery voltage will briefly display, then changes to accumulated hours. The letters "LO" followed by the letters "BATT" will display, followed by the meter's accumulated time. "LO/BATT/TIME" is displayed on the LCD when the voltage drops below 11.5 volts. When this occurs, the battery is in need of a charge or the engine's charging system is not generating sufficient amperage. Charge the battery as instructed in the Product Care section of this manual or have the charging system checked by your local service dealer.

## Air Filter Service

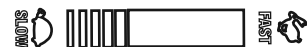
The LCD screen will display the letters "CLN" followed by the letters "AIR", followed by "FILT", followed by the meter's accumulated time. "CLN/AIR/FILT/TIME" will alternate on the display for 7 minutes after the meter reaches 25 hours. This air filter service minder time interval will be every 25 hours. On intervals that are common with oil service, the oil message will be displayed first followed by the air filter message.

## 13 Throttle/Choke Control Lever or Throttle Control Lever

**Note:** When set in a given position, a uniform engine speed will be maintained.

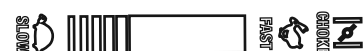
### Throttle Control Lever (If equipped)

Push the throttle control lever forward to increase the engine speed. The tractor is designed to operate with the throttle control lever at full throttle (FAST) when the tractor is being driven and the tractor deck is engaged. Pull the throttle control lever rearward to decrease the engine speed.



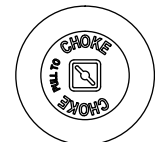
### Throttle/Choke Control Lever (If equipped)

Push the throttle/choke control lever forward to increase the engine speed. The tractor is designed to operate with the throttle/choke control lever at full throttle (FAST) when the tractor is being driven and the mower deck is engaged. Pull the throttle/choke control lever rearward to decrease the engine speed. When starting the engine, push the control lever fully forward into the "CHOKE" position. After starting and warming the engine, move the control handle rearward until you feel it move past the choke detent. Throttle is not meant to control unit speed, throttle should remain in high speed while operating blades.



## 14 Choke Control (If equipped)

The choke control determines the position of the engine choke. Pull the knob out to choke the engine; push the knob in to open the choke.



## 15 Multi-Tool

The multi-tool (a) is located on the back of the right console. The multi-tool (a) can be used as a deck lift lockout, adjust the height of the lapbar drive control levers, drive control lever stop adjustment and can be used as a removal tool with the  $\frac{1}{2}$ " socket end. See the Service and Maintenance section for more information on multi-tool usage. See Figure 22.

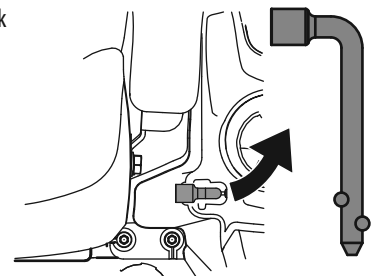


Figure 22

## Headlights (Not shown)

The headlights are located on the front of the frame. The headlights are ON whenever the ignition key is rotated out of the STOP position and OFF when the ignition key is moved to the STOP position.

## Seat Adjustment Lever (Not shown)

The seat adjustment lever is located under the seat. The seat adjustment lever allows for adjustment forward or backward of the operator's seat. Refer to the Assembly section for instructions on adjusting the seat position.

**Note:** If your tractor is not equipped with a seat adjustment lever, it can be adjusted using the knobs on the underside of the seat. Refer to the Assembly section for instruction on adjusting the seat.

## Operation

### Before Operating Your Tractor

- Before operation, refer to Maintenance Schedule chart located in this manual for regularly scheduled service items.

# OPERATION

- This engine is certified to operate only on clean, fresh, unleaded gasoline. Fill only with clean, fresh, unleaded gasoline with a pump sticker octane rating of 87 or higher.
- Do not use gasoline left over from the previous season, to minimize gum deposits in the fuel system.
- Gasohol (up to 10% ethyl alcohol, 90% unleaded gasoline by volume) is an approved fuel. Other gasoline/alcohol blends are not approved.
- Methyl Tertiary Butyl Ether (MTBE) and unleaded gasoline blends (up to a maximum of 15% MTBE by volume) are approved fuels. Other gasoline/ether blends are not approved.

## Safety Interlock System

### ⚠ WARNING

**Do not operate the tractor if the safety interlock system is malfunctioning. This system was designed for your safety and protection.**

This tractor is equipped with a safety interlock system for the protection of the operator. If the interlock system should ever malfunction, do not operate the tractor. Contact an authorized service dealer.

- The safety interlock system prevents the engine from cranking or starting unless the parking brake is engaged, and the PTO switch is in the DISENGAGED (OFF) position.
- The engine will automatically shut OFF if the operator leaves the seat before engaging the parking brake.
- The engine will automatically shut OFF if the operator leaves the tractor's seat with the PTO switch in the ENGAGED (ON) position, regardless of whether the parking brake is engaged.

## Checking the Safety Interlock Circuits

Periodically check the safety interlock circuits to ensure they are working properly. If a safety circuit is not working as designed, contact your Service dealer to have the tractor inspected. DO NOT operate the tractor if any safety circuit is not functioning properly. To check the safety circuits, proceed as follows:

1. Pull the PTO upward to the ENGAGED (ON) position. Momentarily turn the ignition switch to the START position; the engine should not crank.
2. With the tractor running move both lapbar drive control levers fully inward in the neutral position; then lift upward from the operator's seat. The engine should stop.
3. With both lapbar drive control levers fully outward in the parking brake engaged position, engage the PTO. Lift upward from the operator's seat; the engine should stop.

## Starting the Engine

### ⚠ CAUTION

**The operator should be sitting in the tractor seat when starting the engine.**

1. Operator should be sitting in the tractor seat with the lapbar drive control levers fully out and in the park position. See Figure 23. Refer to Practice Operation for further instructions.

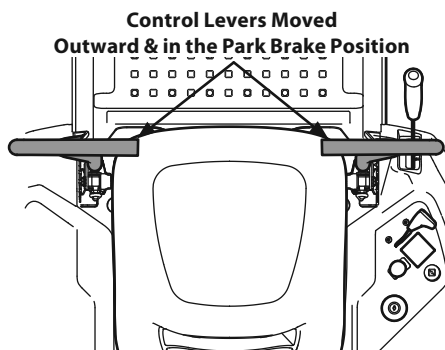


Figure 23

2. Make certain the PTO is in the "OFF" position. Move the choke control or throttle/choke control into the full choke position. Move the throttle control to midway between its slow and fast positions on models with a separate choke control.  
**Note:** If the engine is warmed up, it may not be necessary to choke the engine.
3. Turn the key clockwise to the START position. After the engine starts, release the key. It will return to the RUN position.

### ⚠ CAUTION

**Do NOT hold the key in the START position for longer than ten seconds at a time. Doing so may cause damage to your engine's electric starter.**

4. As the engine warms up, gradually pull the throttle/choke control lever rearward past the choke detent position or slowly disengage the choke on models with a separate choke. Do not use the choke position to enrich the fuel mixture, except as necessary to start the engine.
5. Allow the engine to run for a few minutes at mid-throttle before putting the engine under load.
6. Observe the hour meter/indicator panel. If the battery indicator light or oil pressure light come on, immediately stop the engine. Have the tractor inspected by your authorized service dealer.

## Cold Weather Starting

When starting the engine at temperatures near or below freezing, ensure the correct viscosity motor oil is used in the engine and the battery is fully charged. Start the engine as follows:

1. Be sure the battery is in good condition. A warm battery has much more starting capacity than a cold battery.
2. Use fresh winter grade fuel. Winter grade gasoline has higher volatility to improve starting. Do not use gasoline left over from summer.
3. Follow the previous instruction for Starting the Engine.

## Using Jumper Cables To Start Engine

### ⚠ WARNING

**Batteries contain sulfuric acid and produce explosive gasses. Make certain the area is well ventilated, wear gloves and eye protection, and avoid sparks or flames near the battery.**

If the battery charge is not sufficient to crank the engine, recharge the battery. If a battery charger is unavailable and the tractor must be started, the aid of a booster battery will be necessary. Connect the booster battery as follows:

1. Connect the end of one cable to the disabled tractor battery's positive terminal; then connect the other end of that cable to the booster battery's positive terminal.
2. Connect one end of the other cable to the booster battery's negative terminal; then connect the other end of that cable to the frame of the disabled tractor, as far from the battery as possible.
3. Start the disabled tractor following the normal starting instructions previously provided; then disconnect the jumper cables in the exact reverse order of their connection.
4. Have the tractor's electrical system checked and repaired as soon as possible to eliminate the need for jump starting.

# OPERATION

## Stopping the Engine

1. Disengage the PTO.
2. Move the RH and LH lapbar drive control levers fully outward into the Park Brake engaged position.
3. Move the throttle control to the FAST position.
4. Turn the key to the STOP position and remove the key from the ignition module.

**Note:** Always remove the key from the ignition module to prevent accidental starting or battery discharge if the equipment is left unattended.

## Practice Operation (Initial Use)

Operating a zero-turn tractor is not like operating a conventional type riding tractor. Although and because a zero turn tractor is more maneuverable, getting used to operating the lapbar drive control levers takes some practice.

It is strongly recommended that you locate a reasonably large, level and open "practice area" where there are no obstructions, pedestrians, or animals. You should practice operating the tractor for a minimum of 30 minutes.

Carefully move (or have moved) the tractor to the practice area. When performing the practice session, the PTO should not be engaged. While practicing, operate the tractor at approximately  $\frac{1}{2}$ - $\frac{3}{4}$  throttle and at less than full speed in both forward and reverse.

Carefully practice maneuvering the tractor using the instructions in the following section "Driving the Tractor." Practice until you are confident that you can safely operate the tractor.

## Driving the Tractor

### ⚠ WARNING

Keep all movement of the lapbar drive control levers slow and smooth. Abrupt movement of the control levers can affect the stability of the tractor and could cause the tractor to flip over, which may result in serious injury or death to the operator.

1. Adjust the operator's seat to the most comfortable position that allows you to operate the controls. See seat adjustment in the Assembly section.
2. Move the RH and LH lapbar drive control levers inward in the neutral position which also disengages the parking brake. Refer to Figure 24.

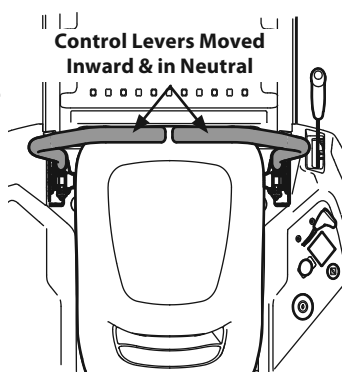


Figure 24

**Note:** Lapbar drive control levers must be moved fully inward before pushing forward or backward to ensure brakes are fully disengaged. Parking the tractor on uneven terrain or a hill may cause the brakes to bind and not release fully. In this case the tractor will not drive when the lapbar drive control levers are moved. If this happens, move the lapbar drive control lever in the opposite direction slightly to take the load off the brakes and allow them to release fully.

**Note:** If the lap bar drive control levers are not even in the neutral position, refer to Service & Maintenance for instructions to adjust the lapbar drive control levers so that they are even.

3. Move the throttle to the full throttle position.

### ⚠ WARNING

Always maintain a firm grip on the control levers. DO NOT release the control levers to slow or stop the tractor; move levers to neutral position using your hands.

4. To drive the tractor, firmly grasp the respective lapbar drive control levers with your right and left hands and continue with Driving the Tractor Forward in the next section.

## Driving the Tractor Forward

1. Slowly and evenly move both lapbar drive control levers forward. The tractor will start to move forward. See Figure 25.
2. As the lapbar drive control levers are pushed farther forward the speed of the tractor will increase.
3. To slow the tractor move the drive controls lever rearward to attain the desired speed, or move the lapbar drive control levers to the neutral position to stop the tractor.

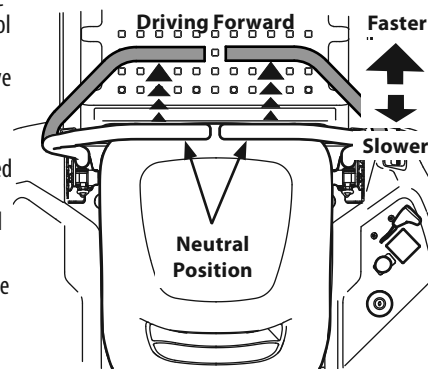


Figure 25

## Turning the Tractor While Driving Forward

### ⚠ WARNING

Sharp turns can affect control of the tractor. ALWAYS slow the tractor before making sharp turns.

To turn the tractor while driving forward, move the lapbar drive control levers as necessary so that one drive control lever is rearward of the other. The tractor will turn in the direction of the rearward drive control lever.

1. To turn to the left, move the left drive control lever rearward of the right drive control lever. See Figure 26.
2. To turn to the right, move the right drive control lever rearward of the left lever. See Figure 27.

### Forward Left Turn

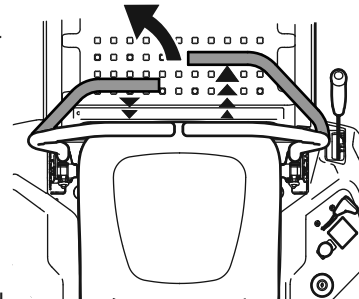


Figure 26

3. The greater the distance between the two levers, the sharper the tractor will turn.
4. To execute a "pivot turn," move the turn side drive control lever to the neutral position, while moving the other control lever forward.

### Forward Right Turn

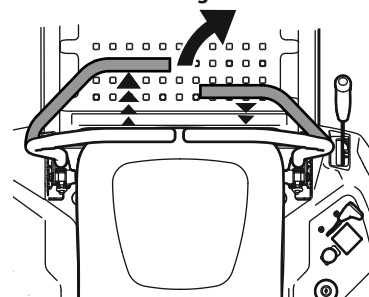


Figure 27

**Note:** Making a "pivot turn" on grass will greatly increase the potential for defacement of the turf.

# OPERATION

## Driving the Tractor In Reverse

### ⚠ WARNING

Always look behind and down on both sides of the tractor before backing up. Always look behind while traveling in the reverse direction. Mowing in reverse is not recommended.

1. Slowly and evenly move both lapbar drive control levers rearward. The tractor will start to move in the reverse direction. See Figure 28.
2. As the lapbar drive control levers are pushed farther rearward the speed of the tractor will increase.
3. To slow the tractor move the lapbar drive control levers forward to attain the desired speed, or move the lapbar drive control levers to the neutral position to stop the tractor.

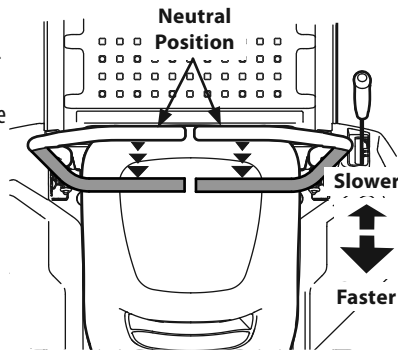


Figure 28

## Turning While Driving Rearward

To turn the tractor while driving rearward, move the lapbar drive control levers as necessary so that one drive control lever is forward of the other. The tractor will turn in the direction of the forward lapbar drive control lever.

1. To turn to the left while traveling in reverse, move the left drive control lever forward of the right drive control lever. See Figure 29.

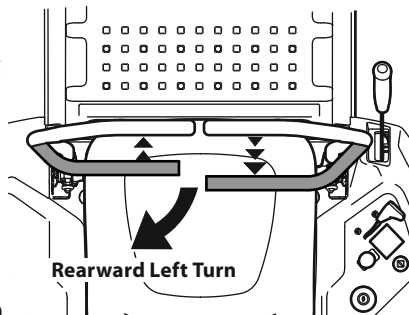


Figure 29

2. To turn to the right while traveling in reverse, move the right drive control lever forward of the left drive control lever. See Figure 30.

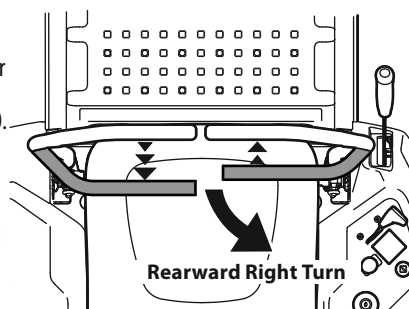


Figure 30

**Note:** The greater the distance between the two lapbar drive control levers, the sharper the tractor will turn.

3. To execute a "pivot turn," move the turn side drive control lever to the neutral position, while moving the other drive control lever rearward.

**Note:** Making a "pivot turn" on grass will greatly increase the potential for defacement of the turf.

## Executing a Zero Turn

1. Stop the forward or reverse motion of the tractor by moving the two lapbar drive control levers to neutral.
2. To turn clockwise, move the left lapbar drive control lever forward while simultaneously moving the right lapbar drive control lever rearward. See Figure 31.

### Clockwise Zero Turn

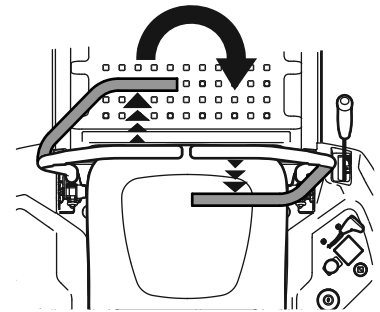


Figure 31

3. To turn counterclockwise, move the lapbar right drive control lever forward while simultaneously moving the left lapbar drive control lever rearward. See Figure 32.

### Counterclockwise Zero Turn

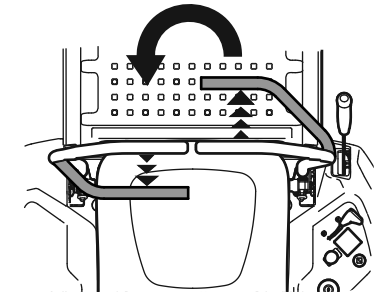


Figure 32

## Stopping the Tractor

1. Move both lapbar drive control levers to the neutral position to stop the motion of the tractor.
2. Push the PTO downward to the OFF position.
3. Use the deck lift knob/handle to raise the deck to its highest position.
4. If dismantling the tractor, move the lapbar drive control levers fully outward in the neutral position which also engages the parking brake, move the throttle to the FAST position, turn the key to STOP and remove the from the ignition module.

### ⚠ WARNING

Do not leave the seat of the tractor without disengaging the PTO and moving lapbar drive control levers fully outward into the Park Brake engaged position. If leaving the tractor unattended, turn the ignition key to the STOP position and remove key.

## Engaging the PTO

Engaging the PTO transfers power to the cutting deck or other (separately available) attachments. To engage the PTO:

1. Move the throttle to the FAST position.
2. Pull the PTO switch up/out into the ENGAGED (ON) position.

**Note:** When operating the tractor be certain that the throttle is always in the FAST position. Operating with the throttle at less than full throttle may lead to premature battery wear and a poor quality cut.

3. To disengage the PTO, push the PTO switch down/in to the DISENGAGED (OFF) position.



# OPERATION

## Mowing

### WARNING

To help avoid blade contact or a thrown object injury, keep bystanders, helpers, children and pets at least 75 feet from the machine while it is in operation. Stop machine if anyone enters the area.

### WARNING

Make certain the area to be mowed is free of debris, sticks, stones, wire or other objects that can be thrown by the rotating blades.

**Note:** Do not engage the mower deck when lowered in grass. Premature wear and possible failure of the 'V' belt and PTO clutch will result. Fully raise the deck or move to a non grassy area before engaging the mower deck.

- Mow across slopes, not up and down. If mowing a slope, start at bottom and work upward to ensure turns are made uphill.
- Do not mow at high ground speed, especially if a mulch kit or grass collector is installed.
- Do not cut the grass too short. Short grass is prone to weed growth and yellows quickly in dry weather.
- Always operate the tractor with the throttle in the FAST position while mowing.
- On the first pass pick a point on the opposite side of the area to be mowed. Follow the point to maintain a straight line.
- Engage the PTO and move the throttle control or throttle/choke control to the FAST position.
- Lower the mower deck to the desired height setting.
- For best results it is recommended that the first two laps be cut with the discharge thrown towards the center. After the first two laps, reverse the direction to throw the discharge to the outside for the balance of cutting. This will give a better appearance to the lawn.
- Slowly and evenly push the RH and LH lapbar drive control levers forward to move the tractor forward, and keep the tractor headed directly toward the alignment point.

**Note:** The speed of the tractor will affect the quality of the mower cut. Mowing at full speed will adversely affect the cut quality. Control the ground speed with the lapbar drive control levers.

- Your tractor is designed to cut normal residential grass of a height no more than 10" (25cm). Do not attempt to mow through unusually tall, dry grass (e.g., pasture) or piles of dry leaves. Dry grass or leaves may contact the engine exhaust and/or build up on the tractor.
- Do NOT attempt to mow heavy brush and weeds or extremely tall grass. Your tractor is designed to mow lawns, NOT clear brush.
- Keep the blades sharp and replace the blades when worn.
- When approaching the other end of the strip, slow down or stop before turning. A U-turn is recommended unless a pivot or zero turn is required.
- Align the mower with an edge of the mowed strip and overlap approximately 3" (7.6 cm).
- Direct the tractor on each subsequent strip to align with a previously cut strip.
- To prevent rutting or grooving of the turf, if possible, change the direction that the strips are mowed by approximately 45° for the next and each subsequent mowing.

When stopping the tractor for any reason while on a grass surface, always:

- Move the RH and LH lapbar drive control levers fully outward into the Park Brake engaged position.
- Shut engine off and remove the key.
- Doing so will minimize the possibility of having your lawn "browned" by hot exhaust from your tractor's running engine.

# SERVICE AND MAINTENANCE

## MAINTENANCE SCHEDULE

### WARNING

Before performing any type of maintenance/service, disengage all controls and stop the engine. Wait until all moving parts have come to a complete stop. Disconnect spark plug wire and ground it against the engine to prevent unintended starting. Always wear safety glasses during operation or while performing any adjustments or repairs.

Follow the maintenance schedule given below. This chart describes service guidelines only. Use the Service Log column to keep track of completed maintenance tasks.

Refer to the Engine Operator's Manual for engine maintenance items listed in the table below.

	Before Each use	After First 5 Hours	Every 10 Hours	Every 25 Hours	Every 50 Hours	Every 100 Hours	Every 200 Hours	Prior to Storing	See Engine Manual
Check/Clean Engine Intake Screens & Cooling Fans #	✓							✓	
Check/Clean Exhaust Manifold, Muffler Pipe & Muffler Shields #	✓							✓	
Check/Clean Top & Underside of Deck, Under and Around Spindle Covers & Belt Area #	✓							✓	
Check/Clean Around Fuses, Wiring and Wiring Harnesses #	✓							✓	
Check/Clean Around Transmission, Axle and Fans #	✓							✓	
Check/Add/Change Transmission Fluid as needed							✓		
Check Air Filter for Dirty, Loose or Damaged Parts	✓								
Check Engine Oil Level	✓								
Clean Battery Terminals			✓					✓	
Grease All Lubrication Points			✓					✓	
Check Engine Intake Screen/Clean as Needed			✓					✓	
Check Blades/Sharpen or Replace as Needed			✓					✓	
Check Tire Pressure			✓					✓	
Check/Clean Underside of Deck			✓						
Check Safety Interlock System			✓					✓	
Check ROPS hardware and Seat Belt Assembly			✓					✓	
Check Mower Blade Stop Time			✓					✓	
Inspect & Lube Deck Wheels				✓				✓	
Check Deck Level/Pitch				✓				✓	
Check Belts & Pulleys for Damage/Wear					✓				
Check That All Hardware is in Place & Secure						✓			
Check Engine Mounting Bolt Torque (Tighten to 325-450 in.-lbs. (37-50 N-m))		✓			✓			✓	✓
Check Blade Mount Nut Torque (Tighten to 70-90 ft. lbs. (95-122 N-m))		✓			✓			✓	
Check Spark Plug Condition & Gap						✓		✓	✓
Engine Break-In Oil Change		✓							✓
Change Engine Oil					✓			✓	✓
Check Fuel System (Lines, Tank, Cap, Fittings)		✓			✓			✓	✓
Check Spark Arrestor		✓			✓			✓	✓
Replace Oil Filter					✓			✓	✓
Clean or Change Air Filter					✓				✓
Replace Fuel Filter					✓				✓
Have Valve Lash Checked & Adjusted *									✓

\* -- Have this item performed by an authorized service dealer

# -- Perform more often in dry conditions and/or when mulching

# SERVICE AND MAINTENANCE

**Note:** This Operator's Manual covers several models. Tractor features may vary by model. Not all features in this manual are applicable to all tractor models and the tractor depicted may differ from yours.

## Post-Operation Tractor Care

After each operation of the tractor, to ensure safe operating conditions refer to Maintenance Schedule chart in this manual for proper tractor care.

### ⚠ WARNING

Failure to follow these recommendations may result in serious injury to yourself or others and may cause damage to the tractor.

## Cleaning the Tractor

### ⚠ WARNING

If the tractor has been recently run, the engine, muffler and surrounding metal surfaces will be very hot and can cause burns to the skin. Let the engine cool for at least five minutes. Exercise caution to avoid burns.

Your tractor should be cleaned after each use and under certain conditions, i.e. dry conditions and/or mulching situations, additional cleaning may be necessary.

One of the best ways to keep your tractor running efficiently and to reduce fire risk is to regularly remove debris buildup from the tractor. Follow the recommendations below and contact your authorized dealer with any questions.

- Allow the machine to cool for at least five minutes in an open area before cleaning.

**Note:** Using a pressure washer or garden hose is not recommended for cleaning your tractor other than to clean the underside of the deck. It may cause damage to electrical components, spindles, pulleys, bearings or the engine. The use of water will result in shortened life and reduce serviceability.

- Keep both sides of transmission cooling slots, exhaust manifold, around fuses, all wiring and harnesses, muffler pipe, muffler shield, engine intake screens and cooling fins, etc. clear of grass clippings and leaves. See Figure 33.
- Clean the top of the mower deck, under the spindle covers and belt area. See Figure 34.

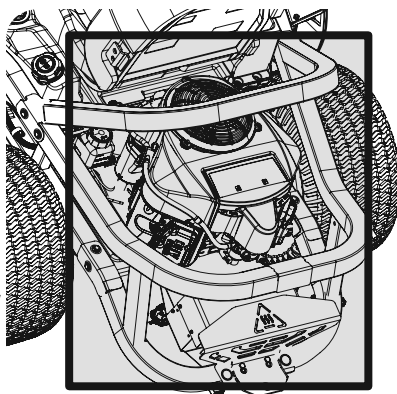


Figure 33

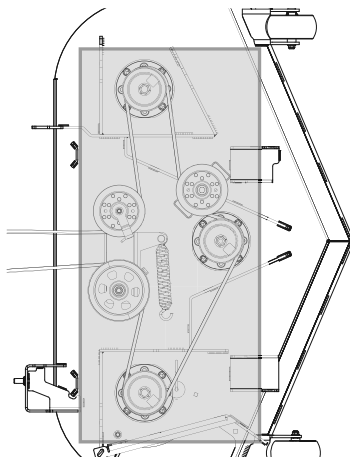
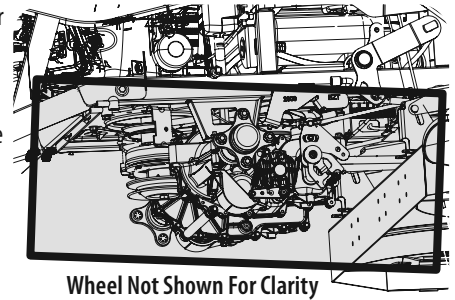


Figure 34

- Clean around and near the transmission, axle and the fan area. See Figure 35.
- Debris can accumulate anywhere on the tractor, especially on horizontal surfaces. Additional cleaning may be necessary when mowing in dry conditions or when mulching.



Wheel Not Shown For Clarity

Figure 35

- Fuel leaks/spills, oil leaks/spills and excess lubrication can also become collections sites for debris. Immediate repair and cleaning up oil or fuel spills can help reduce fire hazards.
- In addition to cleaning the tractor before operating and storing, do not attempt to mow unusually tall grass (10" (25.4 cm) or higher), dry grass (e.g., pasture) or piles of dry leaves. Dry grass or leaves may contact the engine exhaust and/or build up on the mower deck presenting a potential fire hazard.

## Storing the Tractor

- Allow the machine to cool in an open area for at least five minutes before storing.
- Do not park the tractor near any flammable materials (wood, cloth or chemicals) or any open flames or other potential source of ignition (furnace, water heater or any other type of heater).
- Remove all combustible materials from the tractor before storing. Empty cargo boxes, grass catchers or containers.
- Always shut off fuel flow when storing or transporting if tractor is equipped with a fuel shutoff.
- Check the fuel system (lines, tank, cap and fittings) per the maintenance schedule for cracks or leaks. Repair and clean as necessary.

## Maintenance

### Removing the Floor Panel

### ⚠ WARNING

Do not operate tractor with floor panel removed.

The floor panel can be removed for maintenance, service and cleaning. To remove the floor panel:

1. Carefully lift the rear of the floor panel. See 1 in Figure 36.
2. Slide the floor panel rearward to free the front of the floor panel. See 2 in Figure 36.
3. Lift it off the tractor. See 3 in Figure 36.
4. To place the floor panel back on the tractor, carefully fit the front tabs at the front of the floor panel into place and lower the rear of the panel down into place.

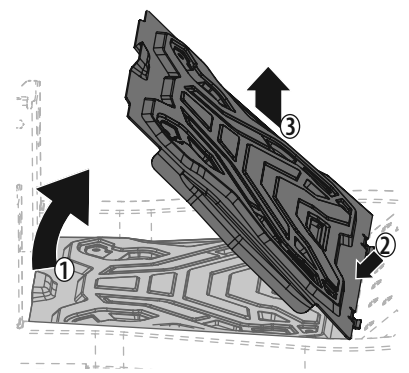


Figure 36

# SERVICE AND MAINTENANCE

## Engine

### ⚠ WARNING

Allow machine to cool in an open area for at least five minutes before storing or refueling.

Refer to the Engine Operator's Manual for all engine maintenance procedures and instructions.

**Note:** Maintenance, repair, or replacement of the emission control devices and systems which are being done at owner's expense may be performed by any engine repair establishment or individual. Warranty repairs must be performed by an authorized dealer.

## Changing the Engine Oil

### ⚠ WARNING

If the tractor has been recently run, the engine, muffler and surrounding metal surfaces will be very hot and can cause burns to the skin. Let the engine cool for at least five minutes. Exercise caution to avoid burns.

**Note:** The oil filter should be changed at every oil change interval.

To complete an oil change, proceed as follows:

1. Locate the oil drain hose (a) on the side of the engine.
2. Place an appropriate oil collection container with at least a 2.5 quart (2.37 liter) capacity below the opening of the oil drain hose, to collect the used oil. Remove the oil fill cap/dipstick (b) from the oil fill tube.

3. While holding the free end of the oil drain hose over the oil collection container, unscrew the square head hose plug (c) from the end of the oil drain hose. See Figure 37. Drain the engine oil into the collection container.

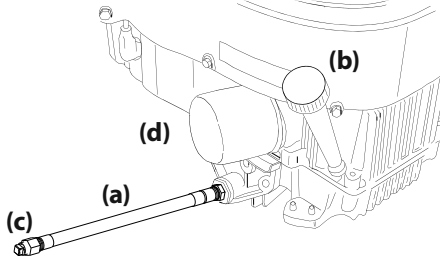


Figure 37

4. After draining the oil, wipe any residual oil from the oil drain hose. Thread the square head hose plug into the oil drain hose fitting and tighten the square head hose plug to 16 ft.-lbs. (22 N-m).
5. Remove the oil filter (d) and drain into the collection container.
6. Replace the oil filter (d), and refill the engine with new oil as instructed in the Engine Operator's Manual.

**Note:** Place an absorbent towel beneath the oil filter to keep oil off the clutch.

**Note:** Observe proper disposal laws and regulations for gas, oil, etc. to protect the environment.

**Note:** Maintenance, repair, or replacement of the emission control devices and systems which are being done at owner's expense may be performed by any engine repair establishment or individual. Warranty repairs must be performed by an authorized dealer.

## Lubrication

### ⚠ WARNING

Before lubricating, repairing, or inspecting, always disengage PTO, set parking brake, stop engine and remove key to prevent unintended starting.

- Using a quality lubricating oil, lubricate all lubrication points. Refer to maintenance schedule chart located in this manual for proper service intervals.

## Spark Arrestor Maintenance (If Equipped)

Spark arrestor assemblies must be inspected and cleaned periodically (see the service interval chart in this manual). Visually inspect the screen for tears, broken wires or loose welds. Replace the spark arrestor assembly if any of these conditions exist. If the screen is in good condition, clean the screen by brushing away loose dirt or carbon particles.

## Tires

Keep the tires inflated to the recommended pressures. Improper inflation will shorten the tire service life. See the tire side wall for proper inflation pressures. Refer to maintenance schedule chart located in this manual for proper service intervals.

Observe the following guidelines:

- Do not inflate a tire above the maximum pressure shown on the sidewall of the tire.
- Do not reinflate a tire that has been run flat or seriously under inflated. Have it inspected and serviced by a qualified tire mechanic.

## Hydrostatic Transmission

Your zero turn tractor is equipped with two hydrostatic pumps/transaxles. Some models are equipped with a transmission oil expansion reservoir. Under normal operating conditions, the oil level in the expansion reservoirs does not need to be checked and no additional oil is needed.

## Checking & Adding Transmission Oil

### ⚠ WARNING

Check the oil level ONLY before starting the tractor when the transmission oil is fully cooled.

1. Clean the reservoir cap and the area around the cap to prevent debris from contaminating the transmission oil. See Figure 38.
2. Turn the reservoir cap counter-clockwise to remove, then check the oil level in the reservoir. Oil should be visible at the bottom of the cup, but the oil level must NOT be above the "FULL COLD" line. See Figure 38. DO NOT FILL THE RESERVOIR.
3. If necessary to add oil because of some type of leakage, use a quality 20W50 motor oil and add only enough oil to bring the level to the "FULL COLD" line. Reinstall the cap and fully tighten.

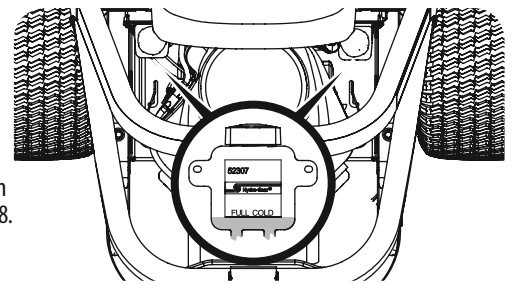


Figure 38

**Note:** Prior to the initial operation of the tractor, the oil level in the reservoir may be slightly higher than the maximum due to air in the oil lines. Operation of the tractor will eventually purge the air from the lines and the oil level will settle to the maximum.

4. Repeat the process for the other transmission.

## Changing the Transmission Oil & Filter (If Equipped)

**Note:** Refer to maintenance schedule chart located in this manual for proper service intervals.

To change the transmission oil:

1. Remove the cap from the transmission oil expansion reservoir. See Figure 38.
2. Remove the three filter guard screws (a) and the filter guard (b). Clean any loose debris from around the filter (c). See Figure 39.
3. Place an oil drain pan with an eight quart (7.6 liter) capacity below the filter.
4. Remove the filter.

# SERVICE AND MAINTENANCE

5. When the oil finishes draining, wipe the filter base and apply a thin coat of fresh oil on the new filter base.
6. Install the new filter.
7. Re-install the filter guard.
8. Remove the top port plug (d) from the transaxles to allow the transaxles to vent during filling. See Figure 39.
9. Using a high-quality 20W50 motor oil, slowly fill the transaxles until oil appears at the top port on the transaxles.
10. Re-install the top port plugs. Torque to 180 in-lbs (20.3 N-m), and continue to fill until the "FULL COLD" line is reached.
11. Replace the reservoir cap and fully tighten.
12. Repeat the process for the other transmission.
13. When replacing the transmission oil, a "purging" procedure should be performed to remove air from the system. The procedure should be performed with the rear wheels off the ground or in an area free of bystanders or objects. To perform the purging procedure:
  - a. Disengage the brake and open the bypass valves and start the tractor.
  - b. Move the lapbars in forward and reverse 5-6 times slowly.
  - c. Close the bypass valves.
  - d. Move the lapbars in forward and reverse 5-6 times slowly.
  - e. Check the oil level and add as necessary.
  - f. Repeat steps a-e until the transaxles operate at normal noise levels and normal speeds.

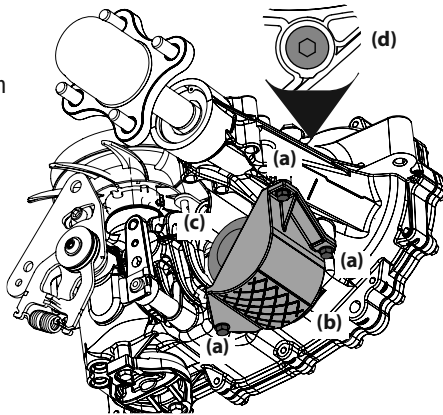


Figure 39

## Off-Season Storage

If your tractor is not going to be operated for an extended period of time (thirty days or more), the tractor should be prepared for storage. Store the tractor in a dry and protected location. If stored outside, cover the tractor (including the tires) to protect it from the elements. The procedures outlined below should be performed whenever the tractor is placed in storage.

1. Change the engine oil and filter following the instructions provided in this manual as well as the engine manual packed with this tractor.

### **⚠ WARNING**

Never store the tractor with fuel in the tank indoors or in poorly ventilated enclosures, where fuel fumes may reach an open flame, spark or pilot light as on a furnace, water heater, clothes dryer, etc.

2. If storing the tractor for 30 days or more:
  - a. To prevent gum deposits from forming inside the engine's carburetor and causing possible malfunction of the engine, the fuel system must be either completely emptied, or the gasoline must be treated with a stabilizer to prevent deterioration.
  - b. Using a fuel stabilizer for storage between 30 and 90 days:
    - Read the product manufacturer's instructions and recommendations.
    - Add to clean, fresh gasoline the correct amount of stabilizer for the capacity (approximately 5 gallons) of the fuel system.
    - Fill the fuel tank with treated fuel and run the engine for 2-3 minutes to get stabilized fuel into the carburetor.
    - Fuel left in the fuel tank deteriorates and will cause serious starting problems.

- c. Emptying the fuel system for storage of more than 90 days:
  - Prior to putting the tractor in storage, monitor fuel consumption with the goal of running the fuel tank empty.
  - Run the engine until it begins to stall. Use the choke to keep the engine running until all fuel in the carburetor has been exhausted.
  - Referring to the engine manual, drain the fuel from the carburetor bowl.

3. Clean the engine and the entire tractor thoroughly.

**Note:** Using a pressure washer or garden hose is not recommended for cleaning your tractor other than to clean the underside of the deck. It may cause damage to electrical components, spindles, pulleys, bearings or the engine. The use of water will result in shortened life and reduce serviceability.

4. Fully charge the battery, then disconnect the negative cable at the battery to prevent possible discharge. Recharge the battery periodically when in storage.

**Note:** Remove the battery if exposed to prolonged periods of sub-freezing temperatures. Store in a cool, dry location where temperatures are above freezing.

5. Lubricate all lubrication points.

## Removing The Tractor From Storage

1. Check the engine oil.
2. Fully charge the battery and inflate the tires to the recommended pressure. See tire side wall for proper tire inflation pressure.
3. Fill the fuel tank with clean, fresh gasoline.
4. Start the engine and allow to idle for a few minutes to ensure engine is operating properly.
5. Drive the tractor without a load to make certain all the tractor systems are functioning properly.

## Adjustments

### Adjusting Deck Lift Pedal

The deck lift pedal can be adjusted to operator preference.

1. Set the deck to the transport position.
2. Remove the hex bolt, washer and hex nut near the center of the pedal assembly. See Figure 40.
3. Position the pedal to the optimal position based on operator preference. See Figure 41.
4. Reinstall the hardware previously removed and torque the nut to 28-35 ft-lbs (38-47 N-m). See Figure 40.

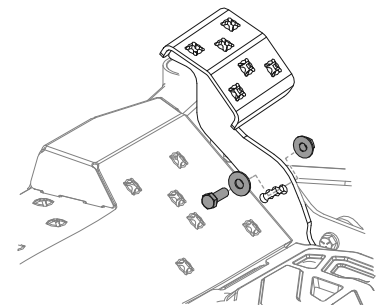


Figure 40

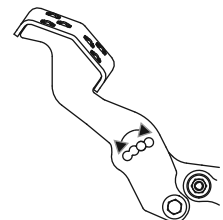


Figure 41

### Deck Leveling

If the cutting deck appears to be mowing unevenly, leveling adjustments can be performed.

### **⚠ WARNING**

If the tractor has been recently run, the engine, muffler and surrounding metal surfaces will be very hot and can cause burns to the skin. Let the engine cool for at least five minutes. Exercise caution to avoid burns.

# SERVICE AND MAINTENANCE

## Leveling the Deck (Side-to-Side)

1. Park the tractor on a firm, level surface.
2. Ensure that all tires are properly inflated.
3. Place the deck lift knob in a middle mowing position and rotate both outside blades so that they are perpendicular with the tractor.
4. Measure the distance from the outside of the left blade tip to the ground and the distance from the outside of the right blade tip to the ground. Both measurements taken should be equal. If they're not, proceed to the next step.

5. Locate the adjustment nuts on top of the deck lift rods on the left and right side of the tractor. There is one on each side at the front of the deck between the platform and lower frame tube, and one at each side of the rear of the deck near the front of the rear wheel. See Figure 42.

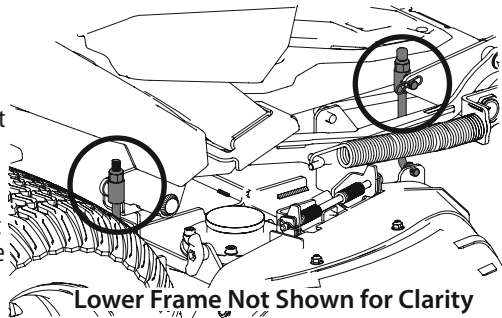


Figure 42

6. Remove the end cap from front deck lift rods and save for later re-installation.
7. Rotate either the left side (front and rear) or right side (front and rear) nuts clockwise to raise the deck height or counter-clockwise to lower the deck, depending on the needed adjustment. Adjust each nut equally.

**Note:** Make adjustments in quarter-turn increments, and remeasure blade distance on both sides frequently.

## Leveling the Deck (Pitch/Front-to-Rear)

The front of the deck should be between  $\frac{1}{8}$ - $\frac{3}{8}$ " (3-9 mm) lower than the rear of the deck. Adjust if necessary as follows:

1. Park the tractor on a firm, level surface and place the deck lift knob in a middle position.
2. Ensure that all tires are properly inflated.
3. Ensure side-to-side level.
4. Rotate the blade nearest the discharge chute so that it is parallel with the tractor.
5. Measure the distance from the front of the blade tip to the ground and the rear of the blade tip to the ground. The first measurement taken should be between  $\frac{1}{8}$ - $\frac{3}{8}$ " (3-9 mm) less than the second measurement.
6. Determine the approximate distance necessary for proper adjustment and proceed, if necessary.

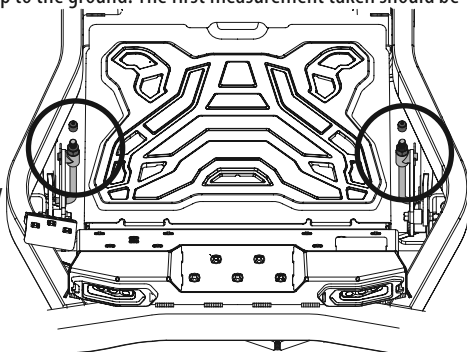


Figure 43

- a. Remove the end cap on both front deck height adjust rods and save for later re-installation. See Figure 43.

- b. Rotate both front nuts clockwise to raise the front deck pitch or counter-clockwise to lower the front deck pitch, depending on the needed adjustment. Adjust each nut equally. See Figure 43.

**Note:** Make adjustments in quarter-turn increments, and remeasure front-to-rear-deck pitch blade distance frequently until proper pitch is achieved.

- c. Reinstall the end caps onto the deck rods.

## Adjusting the Deck Wheels

### ⚠ WARNING

Keep hands and feet away from the discharge opening of the cutting deck.

**Note:** The deck wheels are an anti-scalp feature of the deck and are not designed to support the weight of the cutting deck. The deck wheels should be approximately  $\frac{1}{4}$ - $\frac{1}{2}$ " (6.35-12.7 mm) above the ground when the deck is set in the desired height setting. To adjust the deck wheels see the Assembly & Set-Up section for instructions.

## Lapbar Drive Control Lever Stop Adjustment

When the lapbar drive control levers are both fully extended forward to the full-speed position and the tractor drifts left or right, the lapbar drive control lever stop adjustment can be adjusted to sync the wheel speeds. To perform the adjustment, proceed as follows:

1. Identify the side that the tractor is drifting to and adjust the opposite lapbar drive control lever. If the tractor drifts right, adjust the left lapbar drive control lever down (decrease speed) and vice versa.
2. Locate the lapbar drive control lever stop adjustment bolts (a) on the front of the seat frame. See Figure 44.

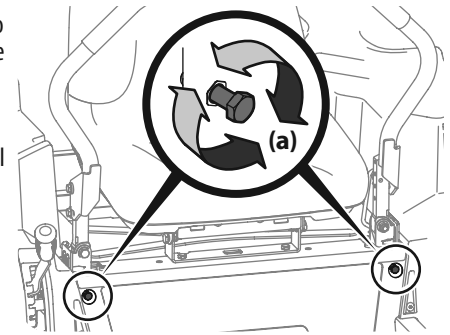


Figure 44

3. To decrease the forward speed, turn the lapbar drive control lever stop adjustment bolts (a) clockwise. To increase the forward speed, turn the lapbar drive control lever stop adjustment bolts (a) counter-clockwise. Turn the lapbar drive control lever stop adjustment bolts (a) in the necessary direction  $\frac{1}{4}$ -turn at a time. After turning the lapbar drive control lever stop adjustment bolts (a), check the adjustment by driving the tractor.
4. Continue the adjustment until the wheel speeds are in sync and the tractor drives straight with the drive control levers fully extended forward in the full-speed position.

**Note:** Make sure the bolts extend through the nuts on the frame to engage the locking feature.

## Service

### Electrical System

A fuse is installed to protect the tractor's electrical system from damage caused by excessive amperage. Always use the same capacity fuse for replacement. If the electrical system does not function, check for a blown fuse.

If you have a recurring problem with blown fuses, have the tractor's electrical system checked by your authorized service dealer.

### Relays and Switches

There are several safety switches in the electrical system. If a function of the safety interlock system described earlier is not functioning properly, have the electrical system checked by your authorized service dealer.

# SERVICE AND MAINTENANCE

## Parking Brake Adjustment

If the tractor does not come to a complete stop when the control levers are moved fully outward engaging the parking brake, or if the tractor's rear wheels can roll with the parking brake engaged (and the hydrostatic relief valve open), the brake is in need of adjustment. See your authorized service dealer to have the brake adjusted.

## Deck Removal

Remove the tractor deck from the tractor as follows:

1. Move the tractor to a level surface, disengage the PTO, stop the engine, place the RH and LH drive control levers fully outward into the park brake engaged position.
2. There are two methods for removing the belt, to remove the belt by releasing belt tension go on to step 3, to remove the belt by rolling the belt off the PTO pulley skip ahead to step 4.

### ⚠ WARNING

Use caution to avoid pinching your fingers when rolling the belt off the PTO pulley.

3. Release belt tension:

- a. Using the deck lift pedal and knob, raise the deck to the position that provides the most horizontal run of the belt between the deck idler pulleys and the PTO pulley on the bottom of the engine.
- b. Remove the idler spring from the wireframe spring hook on the right side of the center of the deck. See Figure 45.

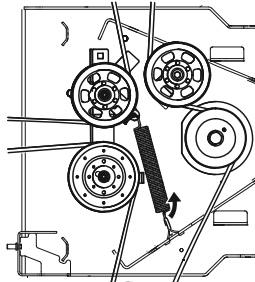


Figure 45

4. Roll the belt off the PTO pulley:

- a. Raise the deck to the position that provides the most horizontal run of the belt between the deck idler pulleys and the PTO pulley on the bottom of the engine.
- b. Sitting behind the tractor facing forward, reach beneath the tractor to grasp the belt at the front of the PTO pulley.
- c. Pull the left side of the belt rearward and downward while manually turning the PTO pulley to the right until the belt rides out onto the edge of the lower sheave of the pulley.

**Note:** If pulling the right side of the belt, turn the pulley left.

- d. While still holding the PTO belt (a) downward, continue turning the PTO pulley (b) until the PTO belt (a) is rolled off the PTO pulley (b). Refer to Figure 46.
- e. Lower the deck into the lowest mowing position.

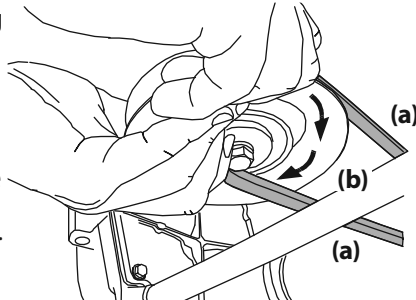


Figure 46

### ⚠ WARNING

The deck lift is spring-assisted and under tension. Injury can occur if spring-assisted deck lift is released suddenly. Always use the multi-tool to secure the deck lift in place. Do not attempt to use the deck lift pedal while the deck is locked with the multitool in this way.

5. Use the deck lift pedal and deck lift knob to place the deck in the lowest position and use the multi-tool to lock the deck lift components in place. There are a pair of alignment holes by the rear wheel on the left side of the tractor (one on the frame and one on the deck lift arm) as shown in Figure 47. Ensure tool is fully inserted properly, locking the deck lift arm in place to the frame.

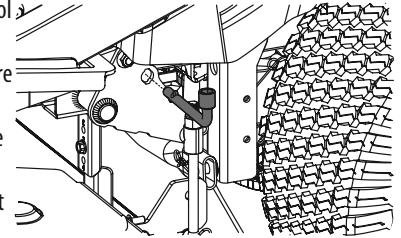


Figure 47

6. Remove the two bow-tie pins from the deck rods that secure the front center lift link brackets on the frame to the front-center lift brackets on the deck and pull the front end of the rods out of place. See Figure 48.

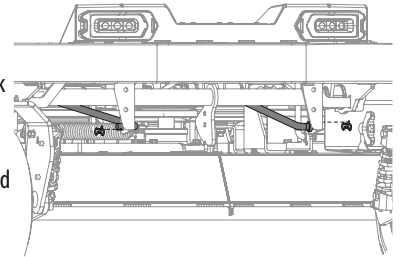


Figure 48

7. Remove the deck stabilizer bar at the rear of the deck:

- a. Remove the bow-tie cotter pin on the right side of the bar connecting the bar with the bracket on the deck. See Figure 49.

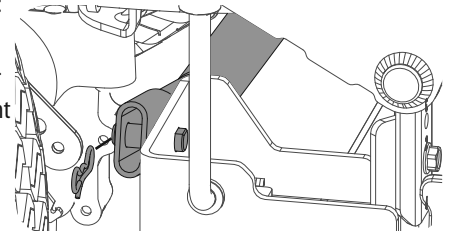


Figure 49

- b. Remove the bow-tie cotter pin on the left side of the bar, connecting the bar with the bracket on the frame. See Figure 50.

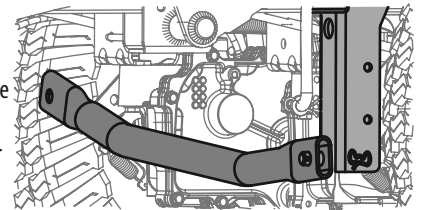


Figure 50

8. Remove the bow-tie pin from the bottom clevis end of each deck height adjust rod. There is one at the front and one at the rear on each side of the deck. See Figure 51. (Left side shown).

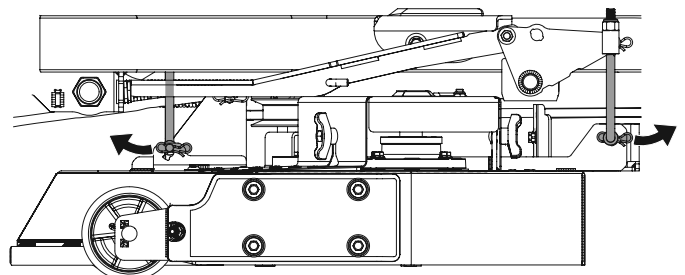


Figure 51

9. Carefully maneuver the deck out from beneath the tractor.

# SERVICE AND MAINTENANCE

## Deck Installation

Install the deck on the tractor as follows:

- Carefully maneuver the the deck under the tractor from the right side, lining up the deck hanger rods and the deck lift rods on the tractor removed in the previous section with appropriate bracket connections on the top of the deck.
- Once the deck is under the tractor, move the deck to the lowest mowing position.
 

**Note:** To line the brackets up properly, it may be necessary to place a small block of wood under each side of the deck.
- Re-install the applicable hardware for your tractor, in reverse order of the removal process:
  - Install the hanger rod clevis ends of the deck height adjust rods removed in step 8 of Deck Removal and secure with the bow-tie pins previously removed.
  - Reinstall the the deck stabilizer rod, at the rear of the deck, onto the frame at the left side, and onto the deck on the right side, with the bow-tie pins previously removed.
  - Reinstall the front hanger rods into the front center brackets on the deck and secure with the bow-tie pins previously removed.
- Make certain the 'V' belt is in the spindle pulleys on the deck.
- Make certain that the backside of the belt is against both the fixed and movable idler pulleys. Reinstall or tighten any idler pulley hardware previously removed or loosened for deck removal
- Route the belt rearward beneath the tractor frame, above the rear deck stabilizer bar, above the transmission tube(s), to the PTO pulley on the bottom of the engine.
- Raise the deck to the position that provides the most horizontal run of the belt between the deck idler pulleys and the PTO pulley on the bottom of the engine.
- Sitting behind the tractor, facing forward, make certain the belt is not twisted; then reach beneath the tractor to grasp the belt and pull it toward the PTO pulley.

### ⚠ WARNING

Use caution to avoid pinching your fingers when rolling the belt onto the PTO pulley.

- Pull the right side of the PTO belt rearward and place the narrow V-side of the PTO belt into the PTO pulley. See Figure 52.
- While holding the PTO belt and PTO pulley together, rotate the PTO pulley to the left (See Figure 46). Continue holding and rotating the PTO pulley and PTO belt until the PTO belt is fully rolled into the PTO pulley.
 

**Note:** Before using the tractor double-check the belt routing to make sure that the belt has been routed properly.
- Check deck level and pitch. Adjust if necessary.

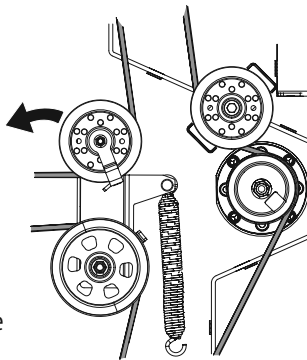


Figure 52

## Replacing the Belt

- Remove the deck from beneath the tractor, (refer to Deck Removal).
- Remove the hex thumb screws securing the belt covers to the deck. See Figure 53.
- Remove the belt covers from the deck. See Figure 54.

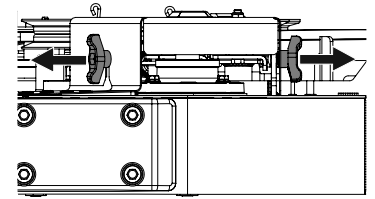


Figure 53

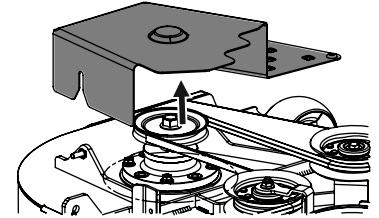


Figure 54

- Remove the two idler pulley assemblies by removing the flange lock nuts (a) at the top of the assemblies, then removing the assemblies from the idler arm. See Figure 55.
 

**Note:** Take note of all hardware, including the positions of the belt keepers for proper reinstallation later.
- Remove the belt from the spindle pulleys.
- Install the new belt around the spindle pulleys as shown and reinstall the belt covers removed in Step 1 of this section.
- Place the belt around the idler pulleys removed in step 4 with the "V" side facing in, and no kinks or twists along the run of the belt. Once in place, loosely reinstall the idler arm hardware.
- Route the belt as shown in Figure 56. Tighten and secure the idler arm hardware.

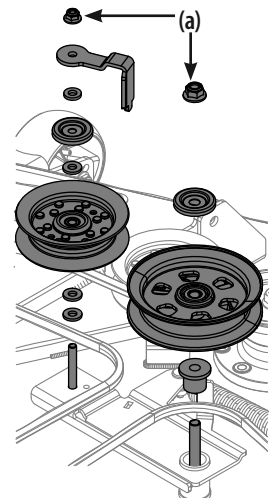


Figure 55

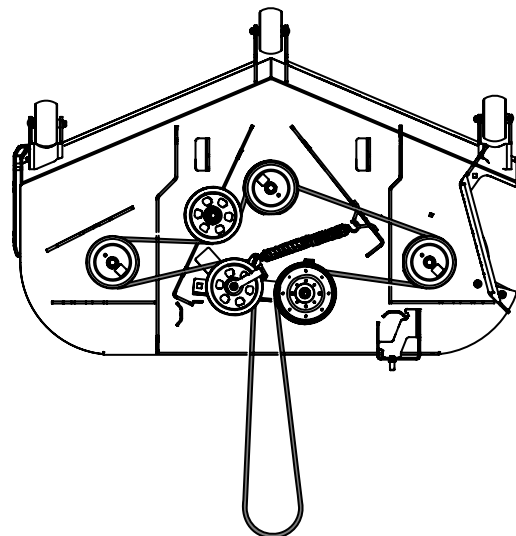


Figure 56



# SERVICE AND MAINTENANCE

## Tractor Blade Care

### WARNING

Before performing any maintenance, disengage the PTO and move the lapbar drive control levers fully outward into the Park Brake engaged position. If leaving the tractor unattended, turn the ignition key to the STOP position and remove key. Protect your hands by using heavy gloves when handling the blades. When servicing the tractor deck, be careful not to cut yourself on the sharpened blades.

The cutting blades must be kept sharp at all times. Sharpen the cutting edges of the blades evenly so that the blades remain balanced and the same angle of sharpness is maintained.

If the cutting edge of a blade has already been sharpened many times, or if any metal separation is present, it is recommended that new blades be installed. New blades are available at your authorized dealer.

The blades may be removed as follows.

1. Remove the deck from beneath the tractor, (refer to Deck Removal) then gently flip the deck over to expose its underside.

2. Use a  $1\frac{5}{16}$ " wrench to hold the hex nut on top of the spindle assembly when loosening the hex nut (a) securing the blade (b). A block of wood (c) may be placed between the deck housing and the cutting edge of the blade (b) to help in breaking loose the hex nut (a) securing the blade. See Figure 57.

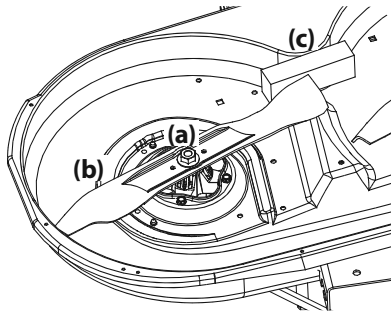


Figure 57

3. When reinstalling the blades, be sure they are installed so that the wings are pointing upward toward the top of the deck.
4. Tighten the hex nuts (a) to 70-90 ft. lbs. (95-122 N-m).
5. Reinstall the deck (refer to Deck Installation).

## Changing the Transmission Drive Belt

Several components must be removed and special tools used in order to change the tractor's transmission drive belt. See your authorized service dealer to have the transmission drive belt replaced.

## Tractor Creeping

Creeping is the slight forward or backward movement of the tractor when the throttle is on and the speed control levers are in the neutral position. If your tractor creeps, see an authorized service dealer.

# TROUBLESHOOTING

## WARNING

Before performing any type of maintenance/service, disengage all controls and stop the engine. Wait until all moving parts have come to a complete stop. Disconnect spark plug wire and ground it against the engine to prevent unintended starting. Always wear safety glasses during operation or while performing any adjustments or repairs.

This section addresses minor service issues. To locate the nearest authorized service center consult the separate supplement sheet for contact information.

Problem	Cause	Remedy
Engine fails to start	<ol style="list-style-type: none"> <li>1. PTO/Blade Engage knob engaged.</li> <li>2. Parking brake not engaged.</li> <li>3. Spark plug wire disconnected.</li> <li>4. Throttle control lever not in correct starting position.</li> <li>5. Fuel tank empty, or stale fuel.</li> <li>6. Blocked fuel line or fuel filter.</li> <li>7. Faulty spark plug.</li> <li>8. Engine flooded.</li> <li>9. Fuse(s) blown.</li> </ol>	<ol style="list-style-type: none"> <li>1. Place knob in disengaged (OFF) position.</li> <li>2. Engage parking brake.</li> <li>3. Connect wire to spark plug.</li> <li>4. Place Throttle lever to FAST position.</li> <li>5. Fill tank with clean, fresh (less than 30 days old) gas.</li> <li>6. Replace fuel line. See a qualified service dealer. Replace fuel filter.</li> <li>7. Clean, adjust gap or replace plug.</li> <li>8. Crank engine with throttle in FAST position.</li> <li>9. Replace fuse.</li> </ol>
Engine runs erratically	<ol style="list-style-type: none"> <li>1. Riding mower running with Choke activated.</li> <li>2. Spark plug wire loose.</li> <li>3. Blocked fuel line or stale fuel.</li> <li>4. Vent in gas cap plugged.</li> <li>5. Water or dirt in fuel system.</li> <li>6. Dirty air cleaner.</li> </ol>	<ol style="list-style-type: none"> <li>1. Check that the electric choke is working. See a qualified service dealer.</li> <li>2. Connect and tighten spark plug wire.</li> <li>3. Replace fuel line. See a qualified service dealer. Fill tank with clean, fresh gasoline and replace fuel filter.</li> <li>4. Clear vent or replace cap if damaged.</li> <li>5. Drain fuel tank. Refill with clean, fresh gasoline.</li> <li>6. Clean or replace air cleaner paper element or clean foam pre-cleaner.</li> </ol>
Engine overheats	<ol style="list-style-type: none"> <li>1. Engine oil level low</li> <li>2. Air flow restricted</li> </ol>	<ol style="list-style-type: none"> <li>1. Fill engine with proper amount and type of oil.</li> <li>2. Clean grass clippings and debris from around the engine's cooling fins and blower housing.</li> </ol>
Engine hesitates at high RPMs	<ol style="list-style-type: none"> <li>1. Spark plug gap set too close</li> </ol>	<ol style="list-style-type: none"> <li>1. Remove spark plug and adjust gap.</li> </ol>
Engine idles poorly	<ol style="list-style-type: none"> <li>1. Fouled spark plug</li> <li>2. Dirty air cleaner</li> </ol>	<ol style="list-style-type: none"> <li>1. Replace spark plug and adjust gap.</li> <li>2. Clean or replace air cleaner element and/or clean pre-cleaner.</li> </ol>
Excessive vibration	<ol style="list-style-type: none"> <li>1. Cutting blades loose or unbalanced</li> <li>2. Damaged, dull, or bent cutting blade</li> </ol>	<ol style="list-style-type: none"> <li>1. Tighten blade and spindle. Balance blade.</li> <li>2. Replace blade.</li> </ol>
Uneven cut	<ol style="list-style-type: none"> <li>1. Deck not leveled properly.</li> <li>2. Dull blade.</li> <li>3. Uneven tire pressure.</li> </ol>	<ol style="list-style-type: none"> <li>1. Perform side-to-side deck adjustment.</li> <li>2. Sharpen or replace blade.</li> <li>3. Check tire pressure in all four tires.</li> </ol>

# MANUAL DEL OPERADOR

## Tractor de radio de giro cero Palancas de Control de la Transmisión

### Registro de Información del Producto

Antes de configurar y hacer funcionar su equipo nuevo, por favor localice la placa de modelo que viene en el equipo y registre la información en el espacio de la derecha. Para encontrar la placa de modelo, eleve el asiento y mire en la parte inferior de la bandeja del asiento. Si tiene que solicitar soporte técnico a través de nuestro sitio web o de un distribuidor de servicio local autorizado, necesitará esta información.

### NÚMERO DE MODELO

--	--	--	--	--	--	--	--	--	--	--	--

### NÚMERO DE SERIE

--	--	--	--	--	--	--	--	--	--	--	--

### Índice

<i>Medidas Importantes de Seguridad</i> .....	2	<i>Solución de Problemas</i> .....	26
<i>Montaje</i> .....	8	<i>Piezas/Garantía</i> .....	<i>Consulte el suplemento que se adjunta por separado</i>
<i>Funcionamiento</i> .....	12		
<i>Servicio y Mantenimiento</i> .....	18		

#### ▲ ADVERTENCIA

Lea y cumpla todas las reglas e instrucciones de seguridad de este manual antes de intentar operar esta máquina.  
Si no sigue estas instrucciones, se pueden provocar lesiones personales.

#### ▲ ADVERTENCIA

##### Proposición 65 de California

El escape del motor de este producto, algunos de sus componentes y algunos componentes del vehículo contienen o liberan sustancias químicas que según lo establecido por el Estado de California producen cáncer, defectos de nacimiento u otros problemas reproductivos.

Los contactos, bornes y accesorios afines de las baterías contienen plomo y compuestos de plomo, sustancias químicas que según lo establecido por el Estado de California causan cáncer y problemas reproductivos. Lávese las manos después de estar en contacto con estos componentes.

**Nota:** Este Manual del Operador corresponde a varios modelos. Las características pueden variar según los modelos. No todas las características que se incluyen en este manual se aplican a todos los modelos y el modelo que se ilustra aquí puede diferir del suyo.

# PRÁCTICAS DE OPERACIÓN SEGURAS

## ▲ ADVERTENCIA

▲ Este símbolo indica instrucciones de seguridad importantes que, de no seguirse, podrían poner en peligro la seguridad personal y/o la propiedad suya y de terceros. Lea y cumpla todas las instrucciones de este manual antes de intentar hacer funcionar esta máquina. Si no sigue estas instrucciones, se pueden provocar lesiones personales. Cuando vea este símbolo. **¡TENGA EN CUENTA LA ADVERTENCIA!**

## ▲ PELIGRO

Esta máquina está diseñada para ser utilizada respetando las medidas de seguridad contenidas en este manual. Al igual que con cualquier tipo de equipo motorizado, un descuido o error por parte del operador puede producir lesiones graves. Esta máquina es capaz de amputar manos y pies y de arrojar objetos. De no respetar las instrucciones de seguridad siguientes, se pueden ocasionar lesiones graves o la muerte.

### Información general

1. Lea, entienda y cumpla todas las instrucciones incluidas en el tractor y en los manuales antes de intentar armar la unidad y utilizarla. Guarde este manual en un lugar seguro para consultas futuras y periódicas, así como para solicitar repuestos.
2. Familiarícese con todos los controles y su correcto funcionamiento. Sepa cómo detener el tractor y desactivar los controles rápidamente.
3. No permita nunca que los niños menores de 14 años utilicen este tractor. Los niños de 14 años en adelante deben leer y entender las instrucciones y las normas de seguridad contenidas en este manual y sobre el tractor, y deben ser entrenados y supervisados por un adulto.
4. Nunca permita que los adultos operen este tractor sin recibir antes la instrucción apropiada.
5. Si se presentan situaciones que no están previstas en este manual, tenga cuidado y use el sentido común. Póngase en contacto con su representante de atención al cliente para obtener ayuda.
6. De conformidad con la Comisión de Seguridad de Productos para el Consumidor de los Estados Unidos (CPSC) y la Agencia de Protección Ambiental de los Estados Unidos (EPA), este producto tiene una vida útil estimada de siete (7) años, en condiciones normales de uso. Al final de su vida útil, se deberá solicitar una inspección del producto anualmente a fin de asegurarse de que todos los sistemas mecánicos y de seguridad funcionen adecuadamente, de manera segura y no estén excesivamente desgastados. Si no lo hace, puede ocasionar accidentes, lesiones o la muerte.

### Preparativos anteriores al uso

1. Revise minuciosamente el área donde se va a usar el tractor. Saque todas las piedras, palos, cables, huesos, juguetes y demás objetos extraños que puedan ser recogidos y arrojados por las cuchilla(s). Los objetos arrojados por la máquina pueden producir lesiones personales graves.
2. A fin de evitar lesiones por el contacto con las cuchillas o por objetos arrojados, mantenga a los asistentes a por los menos 75 pies (23 metros) del tractor mientras está en funcionamiento. Mantenga a los observadores, los niños y las mascotas en interiores durante el funcionamiento. Detenga el tractor si alguien entra en la zona.
3. Esté atento a la dirección de la descarga del tractor y no apunte a nadie.
4. Para protegerse los ojos, utilice siempre anteojos o antiparras de seguridad durante la operación o mientras realiza ajustes o reparaciones. Los objetos arrojados que rebotan pueden producir lesiones graves en los ojos.
5. Utilice zapatos de trabajo resistentes, de suela fuerte, y pantalones y camisas ajustados. Las ropas sueltas, las alhajas y el cabello largo pueden engancharse en las piezas móviles. Nunca haga funcionar este tractor si está descalzo o con sandalias.
6. Nunca llene en exceso el depósito de combustible. Llene el depósito no más de 1/2" (13 mm) por debajo de la base del cuello de llenado, para dejar espacio para la expansión del combustible.

7. Vuelva a colocar la tapa de la gasolina y ajústela bien.
8. Use solo aditamentos o accesorios aprobados para este tractor por el fabricante del tractor. Lea, comprenda y siga todas las instrucciones incluidas con el accesorio o aditamento aprobado.

### Sistema de protección del operador (OPS)

1. Este tractor está equipado con un Sistema de protección del operador (OPS), que incluye:
  - a. Estructura de protección antivuelco (ROPS) de la configuración fija o plegable.
  - b. Conjunto de cinturón de seguridad con función retráctil.
2. Las ROPS son estructuras diseñadas para proporcionar un espacio resistente al aplastamiento para el operador cuando se coloca correctamente el cinturón de seguridad dentro del área de asiento designada del tractor en caso de que el tractor se vuelque o vuelque. ROPS se utilizará en sus configuraciones totalmente verticales y bloqueadas, excepto en aquellas circunstancias en las que necesiten doblarse momentáneamente para evitar el contacto con elementos como ramas de árboles, cuerdas de ropa, cables, postes, edificios, etc. En otros momentos y condiciones, ROPS debe estar en sus configuraciones totalmente verticales y bloqueadas.
3. Se deben usar cinturones de seguridad y siempre deben estar correctamente abrochados alrededor de la cintura del operador, excepto cuando los ROPS son:
  - a. No está instalado correctamente y / o no está asegurado correctamente en el tractor.
  - b. Dañado de tal manera que la integridad estructural de ROPS se ha visto comprometida.
  - c. No en su posición totalmente vertical y bloqueada.
4. Los cinturones de seguridad están unidos a la parte móvil del asiento cuando se utilizan asientos de suspensión y, por lo tanto, la base de montaje del asiento debe estar asegurada a sus medios de pivote y los medios de pivote asegurados / enganchados al bastidor del tractor. Los cinturones de seguridad están sujetos al asiento o al marco del tractor cuando se proporciona un asiento sin suspensión (estándar), sin embargo, si se agrega un kit de suspensión a un asiento, el cinturón de seguridad debe estar sujeto a la parte móvil del asiento o mecanismo de suspensión, la base de montaje del asiento debe estar asegurada a sus medios de pivote, y los medios de pivote deben estar asegurados / enganchados al bastidor del tractor.

## ▲ PELIGRO

Si la ROPS está doblada o falta, los cinturones de seguridad no deberán abrocharse. Se debe reemplazar un conjunto de cinturón de seguridad desgastado o dañado o un ROPS dañado antes de que el operador use el tractor

# PRÁCTICAS DE OPERACIÓN SEGURAS

5. El ROPS se extiende por encima y detrás de la posición del operador y, por lo tanto, el operador debe ser consciente del posible contacto del ROPS con elementos como ramas de árboles, edificios, puertas, tendedores, cables de servicio / cables, etc., que podrían causar que el tractor volcar o volcar. Tenga precaución en (o evite) áreas donde el ROPS pueda entrar en contacto con estructuras, árboles, etc.
6. Un protector de arbustos o dosel puede contactar / desviar las ramas de los árboles, edificios, puertas, tendedores, cables de servicio / cables, etc. que de otro modo entrarían en contacto con el ROPS. El contacto del ROPS y / o el dosel con dichos artículos puede crear condiciones peligrosas por las cuales el tractor podría experimentar un vuelco o un vuelco.
7. El ROPS y el cinturón de seguridad son partes integrales de este tractor y no deben ser manipulados, modificados de ninguna manera ni eliminados.
8. Inspeccione los conjuntos de ROPS y cinturones de seguridad de acuerdo con el programa de mantenimiento que se muestra en este manual en busca de daños o hardware suelto. Reemplace todos los componentes que estén flojos, dañados o que no funcionen correctamente con piezas de repuesto autorizadas.
9. Si no usa el cinturón de seguridad adecuadamente, podría sufrir lesiones graves o la muerte si se produce un vuelco accidental. Para que el ROPS en la posición de arriba hacia arriba sea efectivo, el cinturón de seguridad debe estar abrochado de manera segura alrededor del operador en todo momento cuando el operador esté en el tractor. El operador del tractor que entra en contacto con el ROPS durante un vuelco o un vuelco puede causar lesiones graves o la muerte.
10. El ROPS no evitará que el tractor se vuelque.
11. No asuma que ROPS lo protegerá en caso de vuelco o vuelco. Las lesiones aún pueden ocurrir.

## Funcionamiento

1. Los datos estadísticos muestran que los operadores mayores de 65 años se ven implicados en un alto porcentaje de lesiones relacionadas con tractores. Estos operadores deben evaluar su capacidad para operar el tractor en forma suficientemente segura para protegerse a ellos mismos y a los demás contra lesiones graves.
2. Desactive las cuchillas y mueva las palancas de control de la transmisión completamente hacia afuera para poner el freno de mano antes de intentar arrancar el motor.
3. No ponga las manos ni los pies cerca de las piezas giratorias ni debajo de la plataforma de corte. El contacto con las cuchilla(s) puede amputar manos y pies.
4. Esté atento a los hoyos, surcos, baches, rocas, u otros objetos ocultos. El terreno desnivelado puede hacer que vuelque el tractor. El césped alto puede ocultar obstáculos.
5. Planifique el patrón de corte, para evitar que la descarga de material se realice hacia los caminos, las veredas, los asistentes, etc. Evite descargar material contra una pared u obstrucción, ya que esto podría hacer que el material descargado rebotara contra el operador.
6. Revise la holgura superior antes de conducir debajo de ramas bajas de árboles, cables, cerramientos de puertas, etc., donde el operador puede golpearse o ser tirado del tractor, lo que podría resultar en lesiones graves.
7. Nunca deje el tractor en funcionamiento sin vigilancia. Apague siempre las cuchillas, mueva las palancas de control de la transmisión completamente hacia afuera a la posición de freno de mano, pare el motor y saque la llave antes de bajarse.
8. Desactive las cuchillas, mueva las palancas de control de la transmisión completamente hacia afuera para poner el freno de mano, pare el motor y espere hasta que las cuchillas se detengan por completo antes de extraer el colector de césped, vaciar el césped, desobstruir el canal, extraer el césped o los residuos o realizar cualquier ajuste.
9. Su tractor fue diseñado para cortar césped residencial normal, con una altura no mayor de 10" (25 cm). No intente cortar césped demasiado crecido, seco (por ej., pastura) ni pilas de hojas secas. El césped o las hojas que están secos pueden entrar en contacto con el escape del motor y/o acumularse en la plataforma del tractor presentando un potencial peligro de incendio.
10. Retroceda lentamente. Siempre mire hacia abajo y hacia atrás antes y mientras retrocede para evitar accidentes en retroceso.
11. Nunca lleve pasajeros.
12. Manténgase a por lo menos 10 pies (3 metros) de barrancos, zanjas o terraplenes o del borde del agua. El tractor puede volcarse repentinamente si una de las ruedas pasa el borde de un acantilado o zanja o si se desmorona un borde.
13. Un deflector del canal faltante o dañado puede provocar lesiones por contacto con las cuchillas o por objetos arrojados.
14. No opere el tractor si no está el deflector del canal o el colector de césped completo en su lugar correspondiente.
15. Tenga mucho cuidado con los colectores de césped y otros accesorios. Pueden modificar la estabilidad del tractor. Siga siempre las instrucciones del fabricante del accesorio.
16. Detenga la(s) cuchilla(s) cuando cruce caminos de gravilla, senderos o caminos y cuando no esté cortando el césped.
17. Vigile el tránsito vehicular cuando esté operando cerca de caminos o en cruces. Este tractor no se ha diseñado para el uso en la vía pública.
18. Úsela solamente con luz natural o con buena luz artificial.
19. No haga funcionar el tractor si se encuentra bajo los efectos del alcohol o las drogas.
20. Reduzca la velocidad antes de girar. Opere el tractor suavemente. Evite que funcione de manera errática y a excesiva velocidad.
21. El silenciador y el motor están a temperatura muy alta y pueden provocar lesiones graves por quemaduras. No los toque. Deje que se enfríe el tractor durante cinco minutos antes de intentar cualquier tarea de mantenimiento.
22. Nunca haga funcionar un motor en interiores o en un área mal ventilada. El escape del motor contiene monóxido de carbono, un gas inodoro y letal.

## Niños

1. Se pueden producir accidentes trágicos si el operador no está alerta por la presencia de niños. Por lo general, los niños se sienten atraídos por el tractor y su actividad. Los niños no son conscientes de los peligros. Nunca asuma que los niños permanecerán donde los vio por última vez.
2. Mantenga a los observadores, los niños y las mascotas en interiores durante la operación bajo la atenta supervisión de un adulto responsable que no sea el operador. Detenga el tractor si alguien entra en la zona.
3. Nunca transporte niños, ni siquiera con las cuchillas desactivadas. Podrían caerse y resultar gravemente heridos o interferir con la operación segura del tractor. Los niños que ya fueron transportados en el pasado podrían aparecer repentinamente en la zona de corte para otra vuelta y ser atropellados o también podrían ser arrollados al dar marcha atrás con el tractor.
4. Esté alerta y apague el tractor si un niño o un observador ingresa al área.
5. Para evitar accidentes al retroceder, siempre mire hacia atrás y hacia abajo para ver si hay niños.
6. Tenga mucho cuidado al aproximarse a las esquinas ciegas, puertas, arbustos, árboles u otros objetos que puedan obstaculizarle la vista de un niño que pudiese correr al encuentro del tractor.

# PRÁCTICAS DE OPERACIÓN SEGURAS

- No permita nunca que los niños menores de 14 años utilicen este tractor. Los niños de 14 años en adelante deben leer y entender las instrucciones y las normas de seguridad contenidas en este manual y sobre el tractor, y deben ser entrenados y supervisados por un adulto.
- No permita que se transporte a ningún niño por diversión en el tractor. El tractor no es un juguete ni un carro de paseo. Advértales a sus hijos que el tractor puede ser peligroso y que deben mantenerse alejados de él en todo momento.
- Mantenga a los niños alejados de los motores calientes o en funcionamiento. Pueden sufrir quemaduras al tocar un silenciador caliente.
- Retire la llave cuando el tractor quede sin vigilancia para evitar el funcionamiento no autorizado. Asegúrese de que la llave quede fuera del alcance de los niños pequeños.

## Funcionamiento en pendientes y tractores de giro de radio cero con barra de seguridad

- Las pendientes son un factor importante en los accidentes ocasionados por pérdida de control y vuelcos que pueden causar lesiones graves e incluso la muerte. Todas las pendientes requieren precaución extra. Si no puede retroceder por la pendiente o si no se siente seguro, no realice ningún corte.
- Para su seguridad, mida las pendientes antes de usar el tractor en el lugar inclinado. Use el dispositivo de medición de pendientes además del indicador de pendientes que se incluye como parte de este manual para medir las pendientes antes de operar este tractor en una zona inclinada o con pendientes. Para medir las pendientes, también se pueden usar aplicaciones de teléfonos inteligentes. Si la pendiente es de más de 15°, como se muestra en el indicador de pendientes o un dispositivo de medición de pendientes, no haga funcionar este tractor en ese sector o podría causar lesiones graves.
- No corte el césped en pendientes de más de 15° (25%).
- No corte el césped subiendo y bajando pendientes, solo hágalo de forma transversal a las pendientes que son de menos de 15° (25%). Utilice las velocidades bajas y evite los giros bruscos.
- No corte el césped húmedo. La reducción de la tracción puede causar derrapes o pérdidas del control.
- No opere el tractor en ninguna condición en la que se comprometan la tracción, la dirección o la estabilidad. Los neumáticos podrían deslizarse incluso si las ruedas están detenidas.
- Evite arrancar y parar en una pendiente. Evite hacer cambios repentinos de velocidad o dirección. Haga los giros de forma lenta y gradual.
- Tenga mucho cuidado al operar este tractor con el colector de césped y otros accesorios. Pueden comprometer la estabilidad del tractor. No utilice el colector de césped en pendientes superiores a 10° (17%).
- No intente estabilizar el tractor poniendo el pie en el suelo.
- Haga que todos los movimientos en las pendientes sean lentos y graduales. No realice cambios bruscos de velocidad o dirección. La aceleración repentina podría hacer que el frente del tractor se levantara y volcara rápidamente hacia atrás, lo que podría producir lesiones graves o la muerte.

## Incendios y combustible

- Para evitar lesiones personales o daños materiales sea sumamente cuidadoso al manipular la gasolina. La gasolina es sumamente inflamable y sus vapores son explosivos. Si se derrama gasolina encima o sobre la ropa se puede lesionar gravemente ya que se podría prender fuego. Lávese la piel y cámbiese de ropa de inmediato.
- Apague los cigarrillos, cigarros, pipas y toda otra fuente de combustión.
- Utilice sólo recipientes para gasolina aprobados.

- Nunca saque la tapa del combustible ni agregue combustible mientras el motor está caliente o en marcha. Deje que el motor se enfríe por lo menos cinco minutos antes de volver a cargar combustible.
- Nunca cargue combustible en los tractores en interiores.
- Nunca guarde el tractor o el recipiente de combustible en un espacio cerrado donde haya fuego, chispas o luz piloto, como por ejemplo de calentadores de agua, calefactores de ambientes, hornos, secadores de ropa u otros aparatos a gas.
- Limpie la gasolina que se pueda haber derramado sobre el motor y el equipo. Limpie los derrames de combustible o de aceite y elimine los residuos empapados con gasolina. Traslade el tractor a otra zona. Espere 5 minutos antes de arrancar el motor.
- Para reducir el riesgo de incendio, mantenga el tractor limpio de pasto, hojas y residuos acumulados. Siga las instrucciones de "Cuidado del tractor posterior al funcionamiento" de la sección de Servicio y mantenimiento.
- Su tractor fue diseñado para cortar césped residencial normal, con una altura no mayor de 10" (25 cm). No intente cortar césped demasiado crecido, seco (como un pastizal) ni pilas de hojas secas. El césped o las hojas que están secos pueden entrar en contacto con el escape del motor y/o acumularse en la plataforma del tractor presentando un potencial peligro de incendio.
- Nunca llene en exceso el depósito de combustible. Llene el tanque no más de ½ pulgada por debajo de la base del cuello de llenado, para dejar espacio para la expansión del combustible.
- Vuelva a colocar la tapa de la gasolina y ajústela bien. No opere el tractor si la tapa del combustible no está colocada en su lugar.
- Deje que el tractor se enfríe por lo menos cinco minutos antes de cargarle combustible o guardarlo.
- Nunca llene los recipientes en el interior de un vehículo o camión o caja de remolque con un recubrimiento plástico. Siempre ubique los recipientes en el piso, lejos del vehículo antes de llenarlos.
- Cuando sea factible, retire el equipo a gasolina del camión o remolque y llénelo en el suelo. Si esto no es posible, recargue combustible sobre un remolque con un recipiente portátil, en lugar de una boquilla dosificadora de combustible.
- En todo momento, mantenga el pico en contacto con el borde del depósito de combustible o con la abertura del recipiente, hasta terminar la carga. No utilice un dispositivo de bloqueo/apertura de boquilla.

## Transporte

- Utilice rampas de ancho total bien sujetas para cargar y descargar un tractor para el transporte.
- Tenga mucho cuidado al cargar o descargar el tractor en un remolque o camión. Este tractor no debe conducirse subiendo o bajando rampas, ya que el tractor podría volcar y provocar lesiones personales graves. El tractor se debe empujar a mano en rampas para cargarlo o descargarlo correctamente.
- Eleve la plataforma hasta la posición más alta para una separación para la carga.

## Remolque con los tractores de giro cero de barra de seguridad

- No remolque cargas que superen las 250 libras (113 kg) de peso de arrastre y nunca supere las 50 libras (22 kg) de peso sobre el punto de enganche.
- No acople equipo remolcado excepto en el punto de enganche del tractor.
- Nunca permita que los niños y otras personas se suban a equipos remolcados.
- No remolque en pendientes de más de 5° (9%). En las pendientes, el peso del equipo remolcado puede causar pérdida de tracción y pérdida de control, y/o de la capacidad para detenerse.
- Siempre tenga mucho cuidado al remolcar con un tractor capaz de hacer giros cerrados (por ejemplo, tractor cortacésped con radio de giro cero). Realice giros amplios para el acodillamiento.

# PRÁCTICAS DE OPERACIÓN SEGURAS

7. Desplácese lentamente y deje distancia adicional para detenerse.

## Servicio

1. Mantenga la máquina en buenas condiciones de funcionamiento. No use el tractor hasta que se reemplacen las piezas desgastadas o dañadas.
2. Para evitar lesiones graves o la muerte, no modifique el motor de ninguna manera. La manipulación del ajuste del regulador puede modificar la regulación del motor y hacer que este funcione a velocidades inseguras. Nunca manipule el ajuste de fábrica del regulador del motor ni acelere demasiado el motor. El regulador del motor controla la velocidad máxima de funcionamiento seguro del motor.
3. Las cuchillas del tractor son afiladas. Envuelva la cuchilla o utilice guantes y extreme las precauciones cuando les haga mantenimiento.
4. Los tractores que tienen motores, mangueras o bombas hidráulicas, y/o sistemas de inyección diésel tienen sistemas de líquidos bajo presión. El líquido que escapa a presión puede tener fuerza suficiente para penetrar la piel y causar lesiones graves. Si se inyecta líquido en la piel, consulte de inmediato a un médico. Mantenga el cuerpo y las manos alejados de los orificios de pasadores o los picos que expulsan líquido a alta presión. Si ocurre una pérdida, haga que un distribuidor autorizado realice el mantenimiento del tractor de inmediato.
5. Antes de limpiar, reparar o inspeccionar la máquina, compruebe que la(s) cuchilla(s) y todas las piezas móviles se hayan detenido. Apague el motor, saque la llave y desconecte los cables de la bujía y póngalos haciendo tierra contra el motor para evitar que se encienda accidentalmente.
6. Controle para garantizar que las cuchillas se detengan completamente en no más de cinco (5) segundos después de desactivar el control de desactivación de las cuchillas según el intervalo del Cronograma de mantenimiento. Mida el tiempo hasta la detención con un cronómetro. Si las cuchillas no se detienen completamente en menos de cinco segundos, su tractor debe ser reparado por un profesional en un distribuidor de servicio autorizado.
7. Controle el sistema de interbloqueo de seguridad, según el intervalo del Cronograma de mantenimiento para un funcionamiento correcto, tal como se describe más adelante en este manual. Si el sistema de interbloqueo de seguridad no funciona correctamente, lleve su tractor a hacerle un servicio profesional de un distribuidor autorizado.
8. Nunca altere el sistema de interbloqueo de seguridad u otros dispositivos de seguridad. Compruebe regularmente que estos elementos funcionen correctamente.
9. Controle el par de ajuste del perno de montaje del motor y las cuchillas de acuerdo con la tabla del Cronograma de mantenimiento de este manual. Además, inspeccione visualmente las cuchillas para detectar la presencia de daños (por ejemplo: desgaste excesivo, abolladuras, rajaduras). Reemplace las cuchillas por cuchillas de los fabricantes del equipo original (O.E.M.) únicamente.
10. El uso de piezas de mantenimiento que no cumplen con las especificaciones del equipo original puede resultar en rendimiento inadecuado y puede poner en peligro la seguridad.
11. Mantenga todas las tuercas, pernos y tornillos bien ajustados para asegurarse de que el equipo está en condiciones de funcionamiento seguras. Revise la tabla del Cronograma de mantenimiento de este manual para obtener información sobre el intervalo de mantenimiento.
12. Después de golpear algún objeto extraño, detenga el motor, desconecte los cables de la bujía y conéctelos a tierra con el motor. Revise cuidadosamente para detectar daños. Repare el daño antes de volver a arrancar y operar la máquina.
13. Nunca intente hacer ajustes o arreglos en el tractor con el motor en marcha.

14. Los componentes del colector de césped y el deflector del canal están sujetos a desgaste y daños lo que podrían dejar expuestas las piezas móviles o permitir que se arrojaran objetos. Verifique frecuentemente los componentes y reemplácelos inmediatamente por piezas del fabricante del equipo original (O.E.M.) únicamente.

15. Mantenga o reemplace las etiquetas de seguridad e instrucciones según sea necesario.

16. Respete las normas y reglamentaciones sobre la manera correcta de desechar gasolina, aceite, etc. para proteger el medio ambiente.

## Aviso sobre las emisiones del motor

Los motores tienen la certificación de cumplimiento de las reglamentaciones de California y federales para SORE (equipo pequeño para uso fuera de carreteras), funcionan con gasolina normal y pueden incluir los siguientes sistemas de control de emisiones: Modificación de motor (EM) y catalizador de tres vías (TWC) si están equipados con esos sistemas.

Cuando sea necesario, los modelos están equipados con líneas de combustible y depósitos de combustible de baja penetración para controlar las emisiones por evaporación. Los modelos de California también pueden incluir un filtro de carbono. Por favor, póngase en contacto con Atención al cliente para obtener información sobre la configuración del control de emisiones por evaporación para su modelo.

## Amortiguador de chispas

### ▲ ADVERTENCIA

Este tractor está equipado con un motor de combustión interno y no debe ser utilizado en o cerca de un terreno agreste cubierto por bosque, malezas o hierba excepto que el sistema de escape del motor esté equipado con un amortiguador de chispas que cumpla con las leyes locales o estatales correspondientes (en caso de existir).







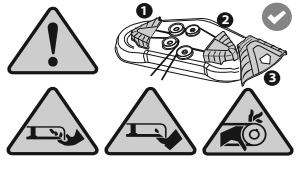


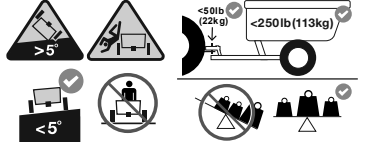
Si se utiliza un amortiguador de chispas el operador lo debe mantener en condiciones de uso adecuadas. En el Estado de California, las medidas anteriormente mencionadas son exigidas por ley (Artículo 4442 del Código de Recursos Públicos de California). Es posible que existan leyes similares en otros estados. Las leyes federales se aplican en territorios federales.

Puede conseguir el amortiguador de chispas para el silenciador a través de su distribuidor autorizado de motores más cercano o poniéndose en contacto con el departamento de servicios, P.O. Box 361131, Cleveland, Ohio 44136-0019.

# PRÁCTICAS DE OPERACIÓN SEGURAS

## Símbolos de seguridad

En esta página, se presentan y describen los símbolos de seguridad que PUEDEN APARECER en este producto.

Símbolo	Descripción
 <p>OPESymbol.com</p>	<p><b>ADVERTENCIA- LEA EL MANUAL DEL OPERADOR</b>                      Lea, entienda y cumpla todas las normas y las instrucciones de seguridad que se incluyen en el manual y en el tractor antes de intentar utilizar este tractor. Si no cumple con lo que indica esta información, se pueden provocar lesiones personales o la muerte. Conserve este manual en un lugar seguro para usarlo como referencia futura habitual. Con un teléfono inteligente, escanee el símbolo del código de QR para obtener más información sobre las advertencias incluidas en este tractor. También puede visitar <a href="http://www.OPESymbol.com">www.OPESymbol.com</a> para obtener más información.</p>
	<p><b>ADVERTENCIA - EVITE LESIONES POR OBJETOS ARROJADOS</b>                      Mantenga a los asistentes por lo menos a 75' (23 metros) de la máquina durante la operación. Saque todas las piedras, palos, cables, huesos, juguetes y demás objetos extraños que puedan ser recogidos y arrojados por las cuchilla(s). Nunca opere el tractor si no está bien colocada la cubierta de descarga o si no está instalado el colector de césped completo en el lugar que corresponde.</p>
	<p><b>ADVERTENCIA - EVITE LESIONES EN NIÑOS AL RETROCEDER/POR ATROPELLAR/POR CONTACTO CON LAS CUCHILLAS</b>                      Para evitar accidentes al retroceder, siempre mire hacia atrás y hacia abajo para ver si hay niños. Nunca transporte niños, ni siquiera con las cuchillas desactivadas. Mantenga a los observadores, los niños y las mascotas en interiores durante la operación bajo la atenta supervisión de un adulto responsable que no sea el operador. Detenga el tractor si alguien entra en la zona.</p>
	<p><b>ADVERTENCIA - EVITE LESIONES POR VUELCOS</b>                      No opere la máquina en una pendiente mayor de 15° (25%). No corte el césped subiéndolo y bajando pendientes, solo hágalo de forma transversal a las pendientes que son de menos de 15° (25%). Utilice las velocidades bajas y evite los giros bruscos en las pendientes. Manténgase a por lo menos 10 pies (3 metros) de barrancos, zanjas o terraplenes o del borde del agua.</p>
	<p><b>ADVERTENCIA - EVITE INCENDIOS</b>                      Su tractor fue diseñado para cortar césped residencial normal, con una altura no mayor de 10" (25 cm). No intente cortar césped demasiado crecido, seco (como un pastizal) ni pilas de hojas secas. Deje que el tractor se enfríe por lo menos cinco minutos antes de cargarle combustible o guardarlo en un garaje cerrado o en una barraca de almacenamiento.</p>
	<p><b>ADVERTENCIA - EVITE LESIONES DE AMPUTACIÓN</b>                      No ponga las manos ni los pies cerca o debajo de la plataforma de corte. El contacto con las cuchilla(s) puede amputar manos y pies.</p>
	<p><b>ADVERTENCIA - EVITE LESIONES DE AMPUTACIÓN</b>                      No ponga las manos ni los pies cerca de las piezas rotatorias ni debajo de la plataforma de corte. El contacto con las cuchilla(s) puede amputar manos y pies. Compruebe que todos los dispositivos de seguridad (protecciones, escudos, interruptores, etc.) estén en su lugar y funcionando. El contacto con las correas y/o el husillo de las cuchillas puede aplastar o lesionar las partes del cuerpo.</p>
	<p><b>ADVERTENCIA - EVITE LAS LESIONES POR PUNTOS DE APLASTAMIENTO/COMPRESIÓN</b>                      Lea, entienda y cumpla todas las normas y las instrucciones de seguridad que se incluyen en el manual y en el tractor antes de intentar realizar el mantenimiento de este tractor. Para los modelos de elevación con el pie únicamente, el sistema de elevación de la plataforma se acciona por resorte y bajo tensión. Utilice siempre la herramienta para usos múltiples provista para fijar el sistema de elevación en la posición de bloqueo antes de intentar extraer la plataforma de la cortadora de césped.</p>
	<p><b>ADVERTENCIA - SACAR LA LLAVE</b>                      Apague siempre las cuchillas, mueva las palancas de control de la transmisión hacia afuera a la posición de freno de mano, pare el motor y saque la llave antes de bajarse. Si va a dejar el tractor sin supervisión, saque siempre la llave para evitar que niños u otras personas utilicen el tractor sin autorización.</p>
	<p><b>ADVERTENCIA - EVITE LAS LESIONES RELACIONADAS CON EL REMOLQUE</b>                      No remolque cargas que superen las 250 libras (113 kg) de peso de arrastre y nunca supere las 50 libras (22 kg) de peso sobre el punto de enganche. Nunca permita que los niños y otras personas se suban a equipos remolcados. No remolque en pendientes de más de 5° (9%). En las pendientes, el peso del equipo remolcado puede causar pérdida de tracción y pérdida de control, y/o de la capacidad para detenerse. Desplácese lentamente y deje distancia adicional para detenerse.</p>

### ⚠ ADVERTENCIA

Su responsabilidad—Limite el uso de esta máquina motorizada a las personas que lean, comprendan y respeten las advertencias e instrucciones que figuran en este manual y en la máquina.

¡GUARDE ESTAS INSTRUCCIONES!



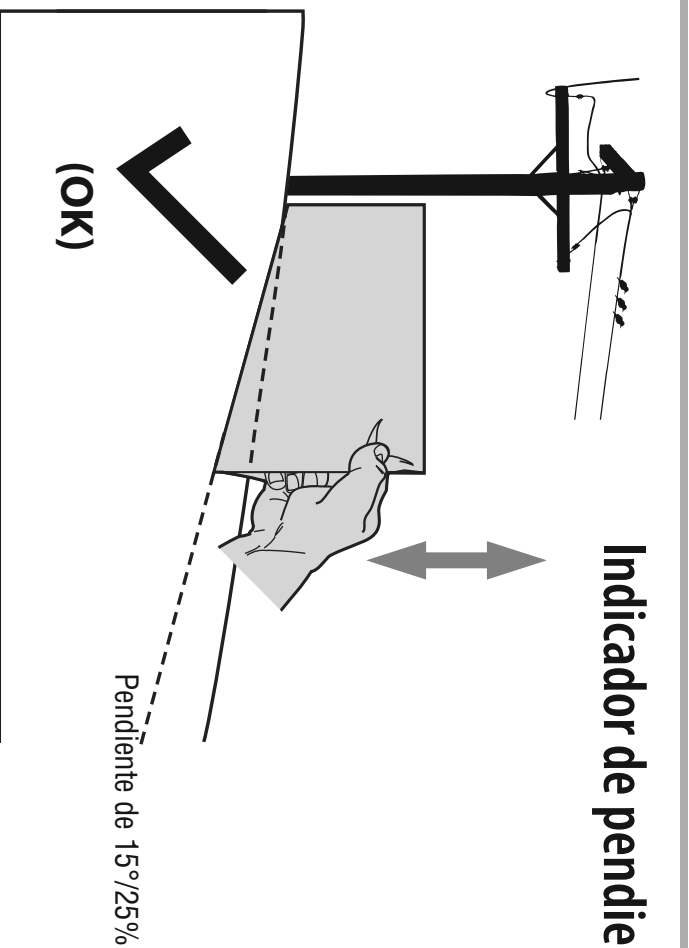


Figura 1

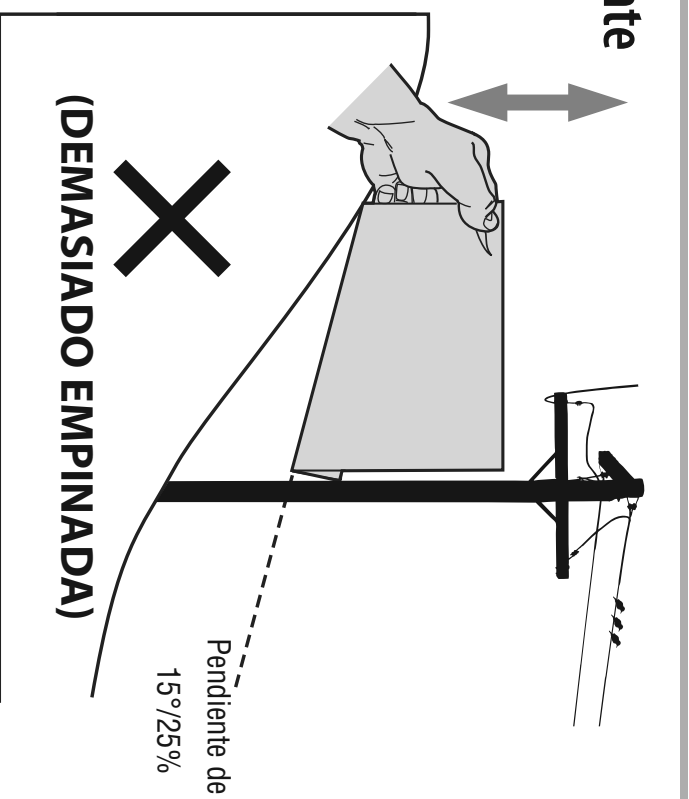


Figura 2

**¡UTILICE ESTE INDICADOR DE PENDIENTE PARA DETERMINAR SI UNA PENDIENTE ES DEMASIADO EMPINADA PARA OPERAR CON SEGURIDAD!**

- Para comprobar la pendiente, proceda de la siguiente manera:
1. Retire esta página y plieguela por la línea de guiones.
  2. Ubique un objeto vertical que esté sobre la pendiente o detrás de la misma (por ejemplo, un poste, un edificio, un cerco, un árbol, etc.)
  3. Alinee uno de los dos lados del indicador de pendiente con el objeto (vea las Figuras 1 y 2).
  4. Ajuste el indicador hacia arriba o hacia abajo hasta que la esquina izquierda toque la pendiente (vea las Figuras 1 y 2).
  5. Si hay una separación debajo del indicador, la pendiente es demasiado empinada para operar con seguridad (vea la Figura 2 anterior).

*Línea de guiones a 15°/25%*



**¡ADVERTENCIA!** Las pendientes son un factor importante relacionado con accidentes por tumbos y vuelcos que pueden producir lesiones graves o la muerte. No utilice la máquina en pendientes de más de 15°. Todas las pendientes requieren precaución extra. Si no puede retroceder por la pendiente o si no se siente seguro, no realice ningún corte.

# MONTAJE

**Nota:** Este Manual del Operador corresponde a varios modelos. Las características del tractor pueden variar según los modelos. No todas las características que se incluyen en este manual se aplican a todos los modelos de tractor y la máquina que se ilustra aquí puede diferir de la suya.

**Nota:** Todas las referencias que contiene este manual a los lados derecho e izquierdo y trasero o delantero del tractor son siempre desde la posición de operación. Las excepciones, si las hubiere, serán especificadas.

## Preparativos

### Movimiento Manual del Tractor

1. Para engranar las varillas de derivación de transmisión, tire de la varilla hacia atrás (a) y hacia el interior de la sección inferior de la ranura "J". Repita en el lado contrario. Consulte la Figura 1.
2. Después de mover el tractor, haga el paso uno a la inversa para desenganchar las varillas de derivación de transmisión.

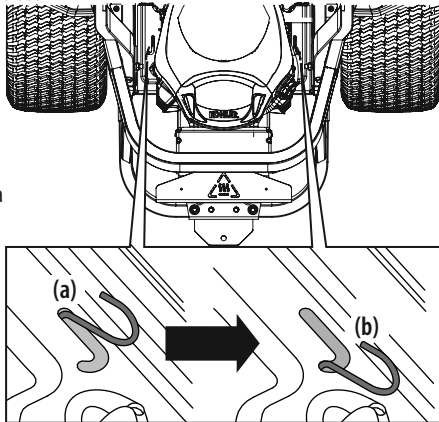


Figura 1

### Instale el enganche (si fuera necesario)

1. Ubique el Enganche (a) e instélo en la parte trasera del bastidor con los dos tornillos de arandela hexagonal (b) proporcionados. Consulte la Figura 2.
- Nota:** El enganche y los tornillos de arandela hexagonal estarán en el paquete de elementos de ferretería.

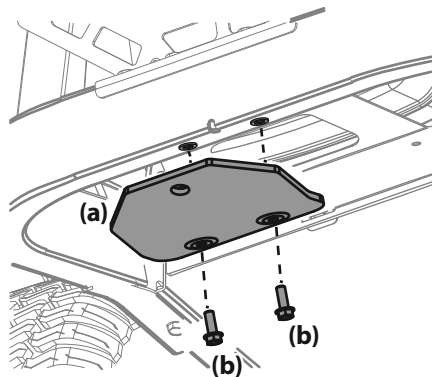


Figura 2

### Sistema de Protección Antivuelco (ROPS)

Consulte las tres (3) posiciones para el ROPS en la Figura 3 y en las siguientes descripciones y usos.

- **TRANSPORTE:** Sólo para usar cuando esté transportando el tractor o cuando se lo deba plegar momentáneamente para evitar contacto con elementos como ramas de árboles, sogas para colgar ropa, retenidas de alambre, postes de servicios públicos, edificios, etc.
- **TRANSPORTE CON EMBOLSADORA:** Permite bajar el ROPS para situaciones descritas para la posición de TRANSPORTE cuando el tractor está equipado con una embolsadora.
- **OPERACIÓN:** El ROPS siempre debería estar en esta posición cuando esté operando a menos que surjan las situaciones indicadas en las descripciones TRANSPORTE y TRANSPORTE CON EMBOLSADORA.

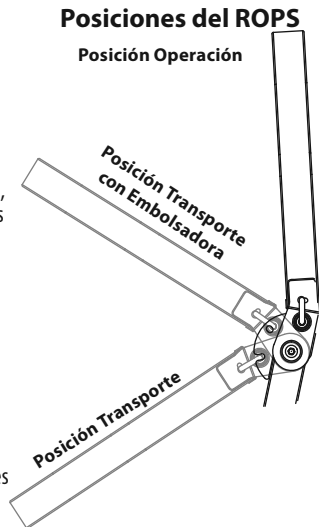


Figura 3

Para cambiar la posición del ROPS:

1. Tire ligeramente hacia arriba del ROPS superior para aliviar cualquier tensión sobre la chaveta de cierre (a) y gire la chaveta de cierre (a) de la posición TRABADA (b) a la posición AJUSTE (c). Repita el procedimiento para la chaveta de cierre del lado opuesto. Consulte la Figura 4.
2. Mueva el ROPS a la posición deseada. Consulte la Figura 5.
3. Gire ambas chavetas de cierre a la posición TRABADA. Mueva el ROPS superior ligeramente hasta que las chavetas de cierre encajen dentro de la posición TRABADA.

**Nota:** Vea el ejemplodel ROPS colocado correctamente en la Figura 6.

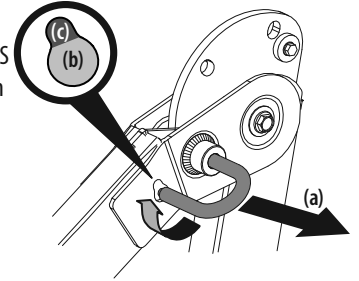


Figura 4

**Nota:** Las tres posiciones son posición TRANSPORTE (a), posición TRANSPORTE CON EMBOLSADORA (b) y posición OPERACIÓN (c).

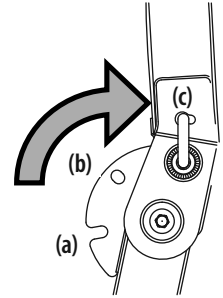


Figura 5

**⚠ ADVERTENCIA**

Siempre verifique que los pasadores de bloqueo derecho e izquierdo del ROPS estén asentados y completamente enganchados a través del conjunto de bisagra para que cada pasador de bloqueo sea visible en la cara interior. Si no bloquea completamente cada pasador de bloqueo, se pueden producir lesiones graves o la muerte.

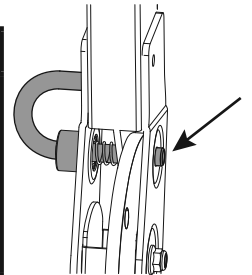


Figura 6

### Instale el Asiento del Operador

1. Corte cualquier tira que sujete el conjunto del asiento al tractor. Extraiga todo el material de embalaje.
2. Instale el asiento en la bandeja del asiento (b) con las tuercas de seguridad con reborde (a). Consulte la Figura 7.
3. Si es necesario, conecte el arnés de cables del interruptor del asiento (a) al interruptor del asiento (b). Consulte la Figura 8. Sujete el cable sobrante alejado de los puntos de apriete antes de continuar.

**Nota:** El tractor no funcionará sin estar conectado el arnés de cables del interruptor del asiento.

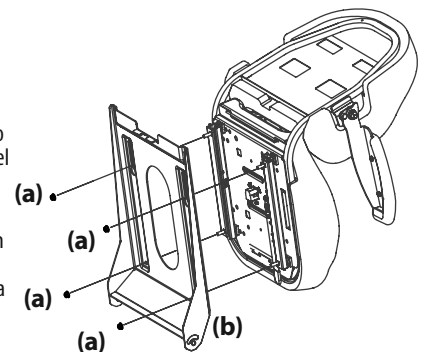


Figura 7

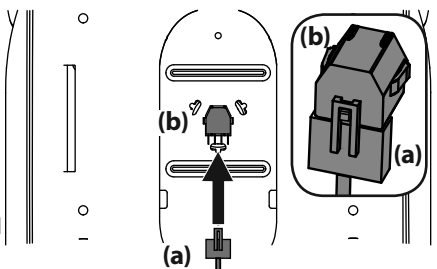


Figura 8

# MONTAJE

## Ubique en posición las Palancas de Control de la Transmisión

Estas palancas se pueden ajustar hacia arriba/abajo y adelante/atrás para comodidad del operador. Están disponibles tres posiciones de altura y/o las palancas se pueden girar hacia adelante o atrás usando la perilla.

Para ajustar la altura de la palanca de control de la transmisión, proceda de la siguiente manera:

1. Extraiga los dos tornillos de carro (a) y las dos tuercas de seguridad con reborde (b) que sujetan la palanca de control de la transmisión (c) hasta el regulador de la manija superior (d). Consulte la Figura 9.

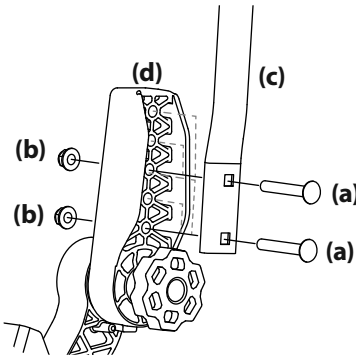


Figura 9

**Nota:** Para hacer este ajuste, se puede usar la herramienta para usos múltiples (si se incluye).

2. Mueva la palanca de control de la transmisión hasta una de las tres alturas disponibles y sujétela en su lugar con los tornillos del carro y las tuercas de seguridad con reborde. Consulte la Figura 9.

Para ajustar las palancas de control de la transmisión hacia adelante o hacia atrás, proceda de la siguiente manera:

1. Gire la perilla (a) en el sentido contrario a las agujas del reloj para aflojar la perilla (a). Consulte la Figura 10.
2. Eleve y gire la palanca de control de la transmisión hasta la posición deseada.
3. Gire la perilla en el sentido de las agujas del reloj para asegurar la palanca de control de la transmisión en su posición. Consulte la Figura 10.

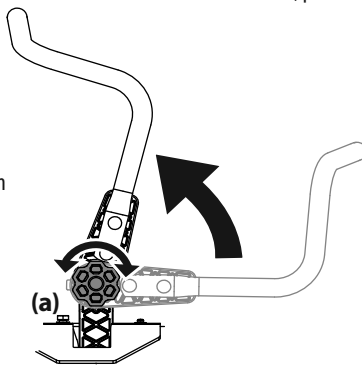


Figura 10

4. Si las palancas de control no se alinean después de ajustar la perilla, afloje las tuercas (b), alinee las palancas de control y vuelva a apretar las tuercas. Una vez que se realiza este ajuste fino, las palancas de control se alinearán al usar el ajuste de la perilla. Vea la Figura 9.

## Baje el deflector del canal de la plataforma

### ⚠ ADVERTENCIA

Nunca opere la plataforma de corte sin el deflector del canal instalado y en posición baja.

1. El canal se envía adjunto y con un soporte que lo mantiene en posición vertical. El soporte debe retirarse antes de operar el tractor. Vea la Figura 11.
2. Sosteniendo el deflector del canal completamente hacia arriba, retire el soporte:
  - a. Sujete el soporte (a) por detrás del deflector en la parte superior de la plataforma.
  - b. Levante ligeramente para liberar el soporte de la muesca.
  - c. Tire hacia atrás para quitar completamente el soporte.

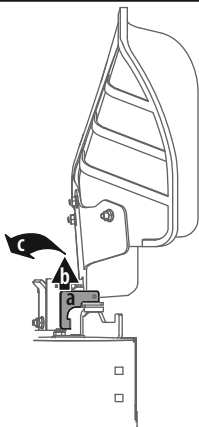


Figura 11

## Ajuste de las Ruedas de Calibración Delanteras

**Nota:** Las ruedas de la plataforma constituyen un mecanismo para el cuidado del césped y no fueron diseñadas para soportar el peso de la plataforma de corte.

1. Mueva el tractor a una superficie nivelada, preferentemente pavimentada.
2. Controle la presión de los neumáticos, ajuste si es necesario. Consulte la pared lateral de los neumáticos para averiguar las presiones de inflado adecuadas.
3. Asegúrese de que la plataforma esté nivelada de un lado a otro, y adecuadamente inclinada. Consulte información e instrucciones sobre nivelado de la plataforma en la sección Servicio y Mantenimiento.
4. Coloque la palanca de elevación de la plataforma en la posición deseada de altura de corte.

5. Controle si las ruedas están en contacto con la superficie de abajo o si hay una separación excesiva.

**Nota:** las ruedas de la plataforma deben tener entre  $\frac{1}{4}$ " (6.35 mm) y  $\frac{1}{2}$ " (12.7 mm) de separación del suelo.

6. Retire la tuerca de seguridad (a) que fija una de las ruedas de calibración delanteras a la plataforma. Quite el tornillo con reborde (b), el separador tubular (c) y el espaciador con reborde (e) para quitar la rueda (d). Consulte la Figura 12.

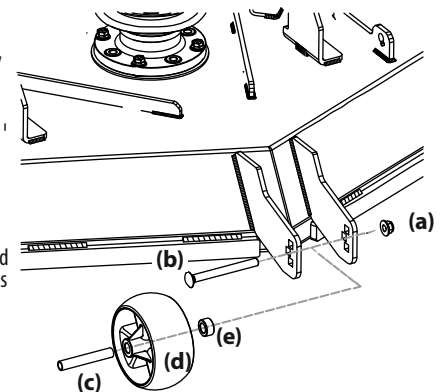


Figura 12

7. Alinee la rueda de calibración con el espaciador tubular por el centro, y el espaciador con reborde sobre el cubo de lado más corto de la rueda de calibración, y posicione el montaje dentro de los soportes a la altura deseada.

**Nota:** Deje una separación de  $\frac{1}{4}$ - $\frac{1}{2}$ " (6.35-12.7 mm) entre el suelo y la rueda de calibración.

8. Inserte el tornillo con reborde en el orificio de posicionamiento elegido que está en el soporte de la rueda de calibración delantera.

**Nota:** En las ruedas de calibración de la plataforma del lado izquierdo y lado derecho, el tornillo con reborde debe instalarse desde el exterior del tractor hacia adentro, por el orificio cuadrado que está sobre el soporte. En las ruedas de calibración centrales de la plataforma (si se incluyen), el lado del tornillo con reborde del montaje puede instalarse desde cualquier dirección. Consulte la Figura 13.

9. Asegure con la turca de seguridad previamente quitada.

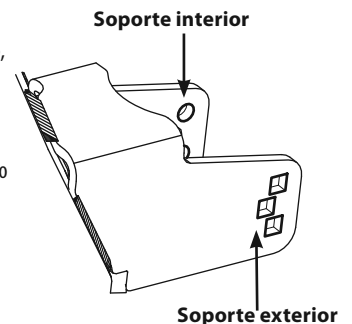


Figura 13

## Información sobre la Batería

### ⚠ ADVERTENCIA

Advertencia de la Proposición 65 de California: Los contactos, bornes y accesorios afines de las baterías contienen plomo y compuestos de plomo, sustancias químicas que según lo establecido por el Estado de California causan cáncer y problemas reproductivos. Lávese las manos después de estar en contacto con estos componentes.

# MONTAJE

## ⚠ ADVERTENCIA

En caso de que se produzca una salpicadura accidental de ácido en los ojos o la piel, enjuague el área afectada inmediatamente con agua limpia fría. Consulte a un médico inmediatamente.

Si el ácido salpica la ropa, en primer lugar dilúyalo con agua limpia, luego neutralícelo con una solución de agua/amoniaco o bicarbonato/agua.

NUNCA conecte (o desconecte) las abrazaderas del cargador de la batería a la batería si el cargador está encendido, ya que puede causar chispas.

Mantenga todas las fuentes de ignición (cigarrillos, cerillas, encendedores) alejadas de la batería. El gas generado durante la carga puede ser combustible.

Como precaución adicional, cargue la batería únicamente en un área bien ventilada.

Siempre proteja sus ojos y su piel y vestimenta cuando trabaje cerca de baterías.

Las baterías contienen ácido sulfúrico y pueden producir gases explosivos. Tenga sumo cuidado cuando manipule baterías. Mantenga las baterías lejos del alcance de los niños.

## ⚠ PRECAUCIÓN

Quando coloque los cables de la batería, conecte siempre primero el cable POSITIVO (rojo) a su borne, y a continuación el cable NEGATIVO (negro).

**Nota:** El borne positivo de la batería está marcado como Pos. (+). El borne negativo de la batería está marcado como Neg. (-).

### Conexión de los Cables de la Batería

## ⚠ ADVERTENCIA

Siempre conecte el conductor positivo a la batería antes de conectar el conductor negativo. Esto evita la generación de chispas o posibles lesiones producidas por un cortocircuito eléctrico causado por el contacto del cuerpo del tractor con las herramientas que se usan para conectar los cables.

Por razones relacionadas con el embarque, la fábrica puede dejar los dos cables de la batería desconectados de los bornes. Para conectar los cables de la batería, proceda de la siguiente manera:

1. Retire la cubierta plástica, si está presente, del borne positivo de la batería. Conecte el cable rojo al borne positivo de la batería (+) utilizando el perno (a) y la tuerca hexagonal (b). Consulte la Figura 14.
2. Retire la cubierta plástica, si está presente, del borne negativo de la batería y conecte el cable negro al borne negativo de la batería (-) utilizando el perno (a) y la tuerca hexagonal (b). Consulte la Figura 14.
3. Coloque el capuchón de goma rojo (c) sobre el borne positivo (+) de la batería para protegerlo contra la corrosión. Consulte la Figura 14.

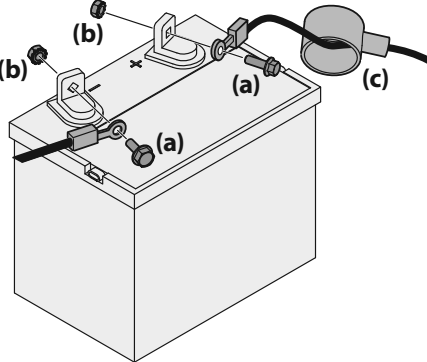


Figura 14

**Nota:** Si la batería se pone en funcionamiento después de la fecha indicada en su parte superior o al costado de la misma, cárguela siguiendo las instrucciones de la sección Servicio y Mantenimiento de este manual antes de operar el tractor.

### Mantenimiento de la Batería

- La batería se llena con ácido de batería y se sella en fábrica. Sin embargo, para asegurar un ciclo de vida adecuado es necesario realizar cierto mantenimiento, aún en las baterías 'sin mantenimiento'.
- Rocíe los bornes y el cable expuesto con un sellador de bornes de batería, o recubra los bornes con una capa delgada de grasa o vaselina para protegerlos contra la corrosión.

- Siempre mantenga limpios y libres de corrosión los cables y los bornes de la batería.
- Evite inclinar la batería. Hasta una batería sellada pierde electrolito si se la inclina.

### Almacenamiento de la Batería

- Cuando el tractor se guarda durante períodos prolongados, desconecte el cable negativo de la batería. No es necesario retirar la batería.
- Todas las baterías se descargan durante el almacenamiento. Mantenga el exterior de la batería limpio, especialmente la parte superior. Una batería sucia se descarga con mayor rapidez.
- La batería debe guardarse con carga completa. Una batería descargada se puede congelar más pronto que una batería cargada. Una batería con carga completa se guarda por más tiempo en temperaturas frías que en temperaturas altas.
- Vuelva a cargar la batería antes de volver a ponerla en servicio. Aun cuando el tractor pueda arrancar, el sistema de carga del motor tal vez no recargue totalmente la batería.

### Retiro de la Batería

## ⚠ ADVERTENCIA

Los contactos, bornes y accesorios afines de las baterías contienen plomo y compuestos de plomo. Lávese las manos después de estar en contacto con estos componentes.

La batería está ubicada debajo del bastidor del asiento. Para retirar la batería:

1. Extraiga el tornillo de arandela hexagonal (a) que sujeta el soporte de sujeción de la batería al bastidor (b). Luego levante el soporte de sujeción de la batería (b) para liberar la batería. Consulte la Figura 15.
2. Retire el tornillo de cabeza hexagonal y la tuerca Sems que fijan el conductor negativo negro de la batería al borne negativo de la batería (marcado 'NEG'). Aleje el cable del contacto negativo de la batería.
3. Retire el tornillo de cabeza hexagonal y la tuerca Sems que fijan el conductor positivo rojo de la batería al contacto positivo de la batería (marcado 'POS').
4. Levante con cuidado la batería para sacarla del tractor.
5. Instale la batería repitiendo los pasos anteriores en orden inverso.

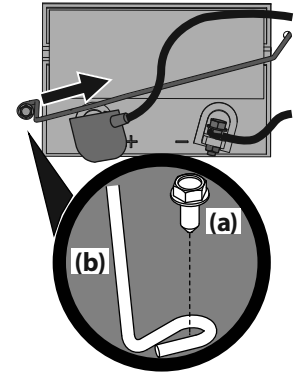


Figura 15

### Carga de la Batería

Si el tractor ha estado guardado durante un tiempo, pruebe la batería y, si es necesario, recárguela.

- Un voltímetro o medidor de carga debería dar una lectura de 12.6 voltios (CC) o más en todos los bornes de la batería. Consulte la Figura 16.

Lectura del voltímetro	Estado de carga	Tiempo de carga
12.7	100%	Carga completa
12.4	75%	90 min.
12.2	50%	180 min.
12.0	25%	280 min.

Figura 16

- Cargue la batería con un cargador de batería de 12 voltios a un MÁXIMO de 10 amperios.

# MONTAJE

## Operando el pestillo del asiento

1. Coloque las palancas de control de la transmisión completamente fuera en la posición del freno de estacionamiento.
2. Localice el pestillo del asiento detrás del asiento.
3. presione hacia abajo las pestañas delanteras para soltar el pestillo del asiento.
4. Gire todo el conjunto del asiento hacia arriba. Vea la Figura 17.

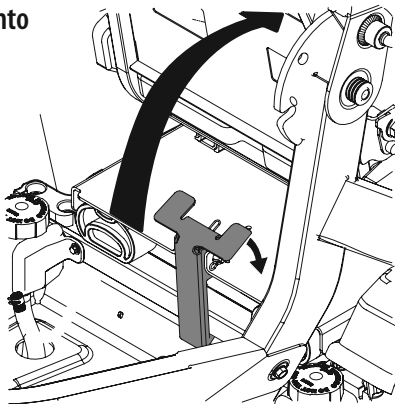


Figura 17

## Colocación de la correa del asiento

Los modelos ZT6 se envían con el asiento plegado hacia adelante y el cable de sujeción del asiento separado de la bandeja del asiento.

1. Localice el cable de sujeción del asiento. El extremo inferior estará preinstalado en el lado interno izquierdo del marco.
2. Con una llave de 7/16" y una llave de 3/8", retire el perno de resalto y la tuerca de seguridad hexagonal del lado izquierdo de la bandeja del asiento.
3. Instale el extremo separado del cable de sujeción del asiento en la bandeja del asiento con el hardware previamente retirado como se muestra en la Figura 18:

- a. Deslice el cable sobre el perno de resalto que retiró anteriormente.
- b. Dirija el perno de resalto a través del orificio desde adentro hacia afuera.
- c. Asegure el cable con la tuerca de seguridad hexagonal y apriete a 68-102 in-lbs (8-11N-m).

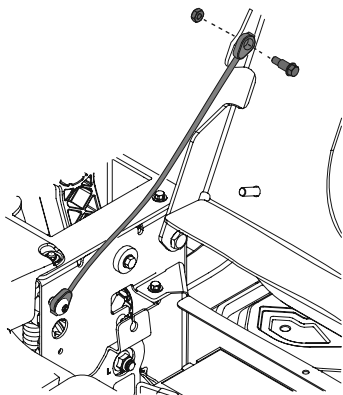


Figura 18

## Ajuste del Asiento

1. Para ajustar la posición del asiento, empuje la palanca de ajuste del asiento hacia la izquierda y manténgala en esa posición.
2. Deslice el asiento hacia adelante o atrás hasta la posición deseada.
3. Suelte la palanca de ajuste. Asegúrese de que el asiento esté fijo en su posición antes de operar el tractor. Consulte la Figura 19.

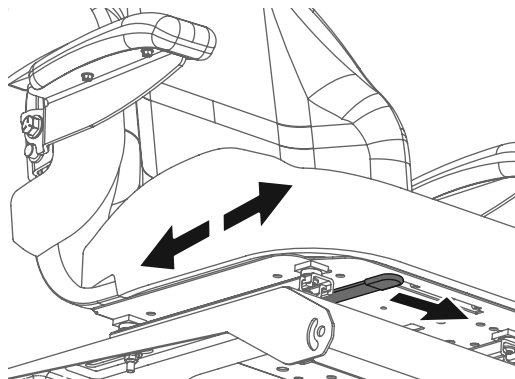


Figura 19

## Ajuste del mecanismo de suspensión mecánica (solo los modelos ZT6)

El mecanismo de suspensión mecánica (si está equipado) incorpora controles de ajuste de peso / marcha para operadores en el rango de peso de 125 a 275 lb (57-124 kg). Gire la perilla en la parte delantera del asiento en sentido horario para aumentar la capacidad de peso y en sentido antihorario para disminuir. Vea la Figura 20.



Figura 20

**Nota:** La base del asiento debe estar asegurada por el pestillo; de lo contrario, el conjunto del asiento podría inclinarse hacia adelante. El sensor de presencia del operador debe estar conectado al arnés de cableado eléctrico.

# FUNCIONAMIENTO

**Nota:** Este Manual del Operador corresponde a varios modelos. Las características del tractor pueden variar según los modelos. No todas las características que se incluyen en este manual se aplican a todos los modelos de tractor y la máquina que se ilustra aquí puede diferir de la suya.

**Nota:** Las referencias a IZQUIERDA, DERECHA, ADELANTE Y ATRÁS indican esa posición desde el asiento del operador en el tractor, mirando hacia adelante.

## 1 Palancas de Control de la Transmisión

Las palancas de control de la transmisión del lado derecho (RH) y lado izquierdo (LH) se encuentran a cada lado del asiento del operador. Las palancas con bisagras se articulan hacia afuera para permitirle al operador sentarse en el asiento o bajarse. Para arrancar el motor del tractor, las palancas de control de la transmisión deben estar completamente hacia afuera y en la posición de estacionamiento. Cuando las palancas de control de la transmisión están completamente hacia afuera, también se activa el freno de mano.

Cada palanca de control de la transmisión controla la transmisión respectiva. En consecuencia, estas palancas controlan todos los movimientos del tractor. La conducción del tractor y la realización de maniobras con estas palancas de control difieren mucho de las funciones respectivas de los tractores convencionales, y es necesario practicar para poder dominar las mismas. Consulte la sección Funcionamiento de Práctica para obtener más instrucciones.

## 2 Posicionamiento de la Altura de la Plataforma

Cada rotación representa un cambio de ¼" (6.35 mm) en la altura de la plataforma. Las posiciones van de 1" (2.5 cm) a 4-¾" (12 cm) en el punto más alto. Consulte 4a y 4b en la Figura 21.

## 3 Control de Traba de Transporte de la Plataforma

La manija de elevación de la plataforma se usa para trabar la plataforma por arriba de su valor de corte más alto en el modo transporte. Para engranar el control de traba de transporte de la plataforma (4a), presione el pedal de elevación de la plataforma y mueva la perilla a su posición trasera. Para desengranar la traba de transporte y colocar la plataforma en su altura de corte designada, presione el pedal de elevación de la plataforma y mueva la perilla a su posición delantera.

## 4a Pedal de Elevación de la Plataforma

El pedal de elevación de la plataforma está ubicado en el vértice delantero derecho de la plataforma. El pedal se usa junto con la perilla de elevación de la plataforma para subir y bajar la plataforma de corte. Oprima hacia adelante el pedal de elevación de la plataforma, gire la perilla de elevación de la plataforma hasta la altura deseada y suelte el pedal de elevación de la plataforma.

## 4b Perilla de Elevación de la Plataforma

La perilla de elevación de la plataforma se usa junto con el pedal de elevación de la plataforma para subir y bajar la plataforma de corte. Oprima hacia adelante el pedal de elevación de la plataforma, gire la perilla de elevación de la plataforma hasta la altura deseada y suelte el pedal de elevación de la plataforma.

## 5 Toma de Fuerza (PTO)

### PTO Eléctrica

El interruptor de la PTO hace funcionar el embrague de la PTO eléctrica montado en la base del cigüeñal del motor. Tire de la perilla del interruptor hacia arriba para enganchar el embrague de la toma de fuerza (PTO), o empuje la perilla hacia abajo para desactivar el embrague.

Al arrancar el motor, el interruptor de la toma de fuerza (PTO) debe estar en posición "OFF" (Desactivado).

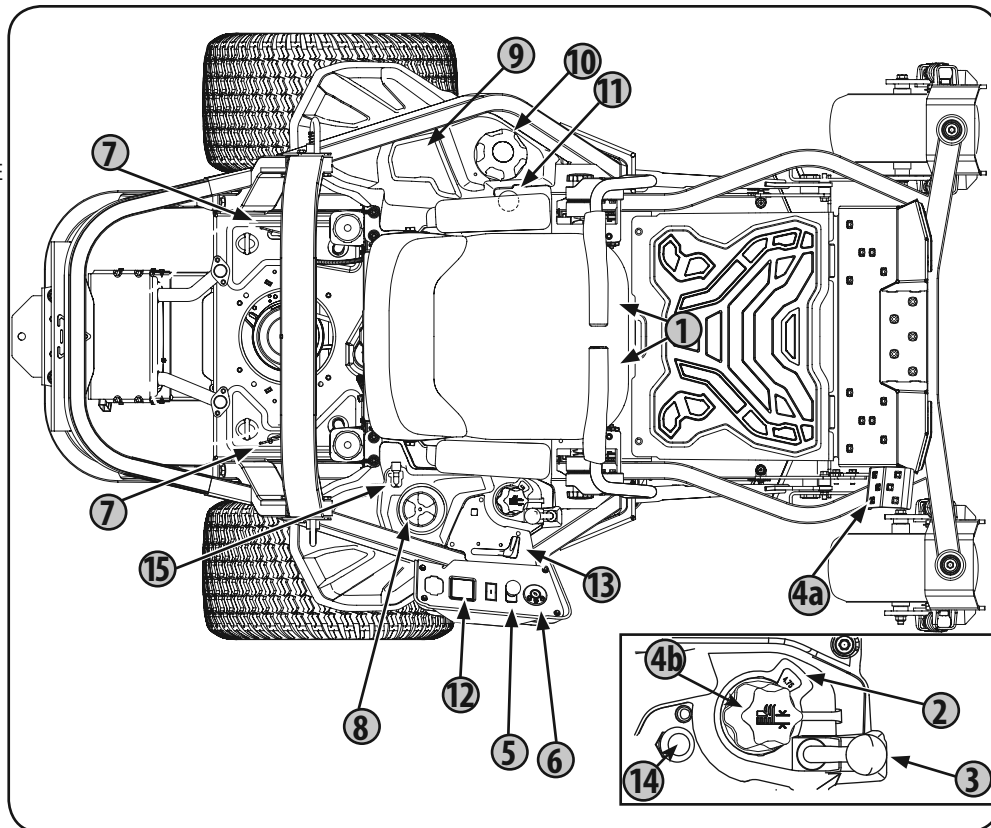


Figura 21

## 6 Interruptor de Encendido

### ⚠ ADVERTENCIA

Nunca deje una máquina en funcionamiento sin vigilancia. Siempre desconecte la toma de fuerza (PTO), ponga el freno de mano, pare el motor y retire la llave, para evitar que el motor arranque accidentalmente.

El interruptor de encendido tiene tres posiciones:

STOP (parada): Se apagan el motor y el sistema eléctrico.

RUN (funcionamiento): Se activa el sistema eléctrico del tractor cortacésped.

START (arranque): El motor de arranque enciende el motor. Suelte la llave inmediatamente apenas arranque el motor.

**Nota:** para evitar el arranque accidental y/o la descarga de la batería, quite la llave del interruptor de encendido cuando el tractor no se encuentra en uso.

## 7 Varillas de Derivación de Transmisión

Las varillas de derivación de transmisión (una para cada transmisión derecha e izquierda) están ubicadas en la parte posterior del tractor, junto al motor. Cuando están engranadas, las dos varillas abren una derivación dentro de las transmisiones hidrostáticas, lo que permite empujar el tractor distancias cortas a mano. Consulte la sección Montaje para ver instrucciones adicionales.

### ⚠ PRECAUCIÓN

Nunca remolque su tractor. Si se remolca el tractor con las ruedas traseras apoyadas en el suelo se pueden causar daños graves a las transmisiones.



# FUNCIONAMIENTO

## 8 Portavasos

El portavasos está ubicado en la parte superior de la consola.

## 9 Bandeja de almacenamiento

La bandeja de almacenamiento está ubicada en la parte posterior de la consola.

## 10 Tapón del Depósito de Combustible

Gire el tapón en el sentido contrario a las agujas del reloj y tire hacia afuera para sacarlo. El tapón del combustible está amarrado al tractor para impedir que se pierda. No intente retirar el tapón del tractor. Llene el depósito hasta  $\frac{1}{2}$ " (12.7 mm) por debajo de la base del cuello de llenado para dejar un poco de espacio en el depósito para la expansión del combustible. No llene en exceso el depósito de combustible.

Empuje el tapón hacia abajo sobre el cuello de llenado del depósito de combustible y gírelo al menos dos clics en el sentido de las agujas del reloj para ajustarlo. Siempre vuelva a colocar el tapón de combustible bien ajustado en el depósito después de quitarlo.

### ⚠ ADVERTENCIA

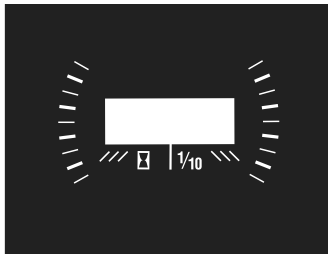
**Nunca llene el depósito de combustible si el motor está en funcionamiento. Si el motor está caliente por haber funcionado hasta hace poco, déjelo enfriar al menos cinco minutos antes de volver a cargar combustible. La gasolina es muy inflamable y podría salpicar el motor y causar un incendio.**

## 11 Indicador de Combustible

El indicador de combustible se encuentra a la izquierda del asiento e indica el nivel de combustible que hay en el depósito.

## 12 LCD Avisador de Servicio y Medidor Horario (si se incluye)

El LCD avisador de servicio le recuerda al operador los intervalos de mantenimiento para el cambio del aceite del motor, el servicio del filtro de aire, las advertencias de bajo nivel de aceite y poca batería. Cuando se gira la llave fuera de la posición STOP (detención), pero no está en la posición de arranque, el LCD avisador de servicio y medidor horario mostrará brevemente la tensión de la batería, seguido de las horas acumuladas del tractor.



**Nota:** cuando la llave de encendido está fuera de la posición STOP (detención), el símbolo de un reloj de arena se enciende/parpadea para indicar que está registrando las horas de funcionamiento del tractor, independientemente de que el motor esté encendido o no.

### Cambiar Aceite

La pantalla LCD alternará las letras "CHG" (cambiar), seguidas de las letras "OIL" (aceite), seguidas de las letras "SOON" (pronto), y luego finalmente seguidas por el tiempo acumulado del medidor. "CHG/OIL/SOON/TIME" se alternarán en la pantalla durante 7 minutos después de que el medidor llegue a 50 horas. Este intervalo del avisador de servicio de aceite se producirá cada 50 horas. Antes de que finalice el intervalo, cambie el aceite del motor según se indica en este Manual del Operador del Motor.

### Baja Presión de Aceite

**Nota:** La función de baja presión de aceite solo funciona si el motor tiene un interruptor de presión de aceite.

En la pantalla LCD aparecen alternadas las letras "LO" (nivel bajo) seguidas de las letras "OIL" (aceite), seguidas luego del tiempo acumulado del medidor indicarán que el tractor tiene poca presión de aceite. Esto es común se enciende un motor. El indicador permanecerá activo hasta que el motor acumule presión después de encenderse. Si el indicador permanece encendido cuando el motor está a máxima velocidad y después de que hayan transcurrido unos pocos minutos de funcionamiento, detenga el tractor de inmediato, controle el nivel de aceite del motor y agregue aceite según las instrucciones del Manual del Operador del Motor. Si el nivel de aceite es correcto y el indicador sigue encendido, comuníquese con un distribuidor de servicio autorizado.

### Nivel Bajo de Batería

Al arrancar, se visualiza fugazmente la tensión de la batería y luego cambia a horas acumuladas. Aparecen las letras "LO" (nivel bajo), seguidas de las letras "BATT" (batería), seguidas luego del tiempo acumulado del medidor. "LO/BATT/TIME" se muestra en la pantalla LCD cuando la tensión cae por debajo de 11.5 voltios. Cuando esto ocurre, significa que se debe cargar la batería o que el sistema de carga del motor no genera suficiente amperaje. Cargue la batería como se indica en la sección Cuidado del Producto de este manual o haga controlar el sistema de carga por su distribuidor de servicio local.

## Mantenimiento del Filtro de Aire

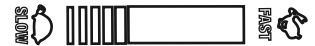
En la pantalla LCD aparecen las letras "CLN" (limpiar), seguidas de las letras "AIR" (aire), seguidas por "FILT" (filtro), seguidas luego del tiempo acumulado del medidor. "CLN/AIR/FILT/TIME" se alternarán en la pantalla durante 7 minutos después de que el medidor llegue a 25 horas. Este intervalo del avisador de servicio del filtro de aire será cada 25 horas. En intervalos comunes con el servicio del aceite, aparece el mensaje del aceite primero seguido primero por el mensaje del filtro de aire.

## 13 Palanca de Control del Acelerador/Cebador o Palanca de Control del Acelerador

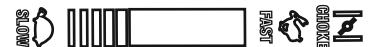
**Nota:** cuando se lo coloca en determinada posición, se mantiene una velocidad de motor uniforme.

### Palanca de Control del Acelerador (si se incluye)

Empuje la palanca de control del acelerador hacia adelante para aumentar la velocidad del motor. El tractor está diseñado para que funcione con la palanca de control del acelerador en aceleración máxima FAST (rápido) cuando se conduce el tractor y se engancha la plataforma del tractor. Tire de la palanca de control del acelerador hacia atrás para reducir la velocidad del motor.



Palanca de Control del Acelerador/Cebador (si se incluye)Empuje la palanca de control del acelerador/cebador hacia adelante para aumentar la velocidad del motor. El tractor está diseñado para que funcione con la palanca de control del acelerador/cebador en aceleración máxima FAST (rápido) cuando se conduce el tractor y se engancha la plataforma de la cortadora de césped. Tire de la palanca de control del acelerador/cebador hacia atrás para reducir la velocidad del motor. Cuando arranque el motor, empuje la palanca de control totalmente hacia adelante a la posición "CHOKE" (cebador). Después de arrancar y calentar el motor, mueva la manija de control hacia atrás hasta que sienta que pasa el bloqueador del cebador. El objetivo del acelerador no es controlar la velocidad de la unidad, sino que debe permanecer a alta velocidad mientras se operan las cuchillas.



## 14 Control del Cebador (si se incluye)

El control del cebador determina la posición del cebador del motor. Tire de la perilla hacia afuera para cebar el motor; empuje la perilla hacia adentro para abrir el cebador.



## 15 Herramienta para Usos Múltiples

La herramienta para usos múltiples (a) está ubicada en el frente de la consola derecha. La herramienta para usos múltiples (a) se puede usar como bloqueo de elevación de la plataforma, para ajustar la altura de las palancas de control de la transmisión, ajustar la detención de las palancas de control de la transmisión y se puede usar como herramienta de extracción con la llave de cubo de  $\frac{1}{2}$ ". Consulte más información sobre la herramienta para usos múltiples en la sección Servicio y Mantenimiento. Consulte la Figura 22.

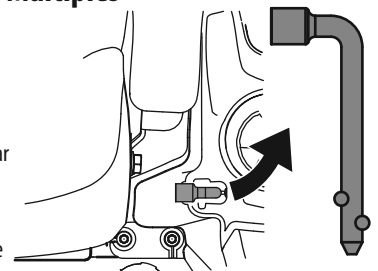


Figura 22

## Faros (no se muestran)

Los faros se encuentran en el frente del bastidor. Los faros se encienden (ON) cada vez que se gira la llave de encendido sacándola de la posición STOP (detención) y se apagan (OFF) cuando la llave de encendido se mueve a la posición STOP (detención).

## Palanca de Ajuste del Asiento (no se muestra)

La palanca de ajuste del asiento está ubicada debajo del asiento. La palanca de ajuste del asiento permite el ajuste del asiento del operador hacia adelante o hacia atrás. Consulte la sección Montaje y Configuración para ver instrucciones sobre el ajuste de la posición del asiento.

**Nota:** si su tractor no cuenta con una palanca de ajuste del asiento, se puede ajustar usando las perillas de la parte inferior del asiento. Consulte la sección Montaje para ver instrucciones sobre cómo ajustar la posición del asiento.

## Funcionamiento

### Antes de hacer funcionar el tractor

- Antes de la operación, consulte la tabla del Programa de Mantenimiento que aparece en este manual para los servicios programados habitualmente.

# FUNCIONAMIENTO

- Se certifica que este motor funciona únicamente con gasolina normal sin plomo, nueva y limpia. Llène únicamente con gasolina sin plomo, nueva y limpia, en un surtidor que indique un octanaje igual a 87 o más.
- No use gasolina que haya quedado de la temporada anterior, para minimizar la formación de depósitos de goma en el sistema de combustible.
- El gasohol (hasta 10% de alcohol etílico, 90% de gasolina sin plomo por volumen) es un combustible aprobado. No se aprueba el uso de otras mezclas de gasolina/alcohol.
- El éter metílico terciario-butílico (MTBE) y las mezclas de gasolina sin plomo (hasta un máximo de 15% de MTBE por volumen) son combustibles aprobados. No se aprueba el uso de otras mezclas de gasolina/éter.

## Sistema de Enclavamiento de Seguridad

### ⚠ ADVERTENCIA

No opere el tractor si el sistema de enclavamiento de seguridad funciona mal. Este sistema fue diseñado para brindarle seguridad y protección.

Este tractor está equipado con un sistema de enclavamiento de seguridad para protección del operador. Si el sistema de enclavamiento funciona mal, no se debe hacer funcionar el tractor. Comuníquese con un distribuidor de servicio autorizado.

- El sistema de enclavamiento de seguridad impide que el motor arranque o se encienda a menos que esté colocado el freno de mano, y la PTO esté DESACTIVADA en la posición de apagado (OFF).
- Si el operador abandona su asiento antes de poner el freno de mano, el motor se APAGARÁ automáticamente.
- El motor se apagará automáticamente si el operador abandona el asiento del tractor con el interruptor de la palanca de la toma de fuerza (PTO) en la posición de activación (ON), independientemente de si el freno de mano está puesto o no.

## Control de los Circuitos del Enclavamiento de Seguridad

Controle periódicamente los circuitos del enclavamiento de seguridad para estar seguro de que funcionan adecuadamente. Si algún circuito de seguridad no funciona según el diseño, póngase en contacto con el distribuidor de Servicio para que inspeccione el tractor. NO use el tractor si algún circuito de seguridad no está funcionando adecuadamente. Para controlar los circuitos de seguridad proceda de la siguiente manera:

1. Tire de la PTO hacia arriba, hasta la posición de activación (ON). Gire el interruptor de encendido a la posición START (arranque) momentáneamente; el motor no debería intentar arrancar.
2. Con el tractor en marcha, mueva las dos palancas de control de la transmisión totalmente hacia adentro hasta la posición de punto muerto; luego levántese del asiento del operador. El motor debe dejar de funcionar.
3. Con las dos palancas de control de la transmisión totalmente hacia afuera en la posición de freno de mano aplicado, active la PTO. Levántelas desde el asiento del operador; el motor se debe detener.

## Arranque del Motor

### ⚠ PRECAUCIÓN

El operador debe estar sentado en el asiento del tractor al arrancar el motor.

1. El operador debe estar sentado en el asiento del tractor con las palancas de control de la transmisión completamente hacia afuera en la posición de estacionamiento. Consulte la Figura 23. Consulte la sección Funcionamiento de Práctica para obtener más instrucciones.

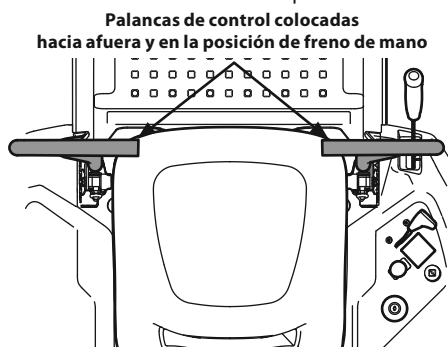


Figura 23

2. Asegúrese de que la toma de fuerza esté en la posición OFF (apagado). Mueva el control del acelerador o el control de acelerador/cebador a la posición máxima del cebador. Mueva el control del acelerador a distancia media entre las posiciones velocidad lenta y velocidad rápida en modelos con control de cebador independiente.

**Nota:** Si el motor está caliente, tal vez no sea necesario cebar el motor.

3. Gire la llave hacia la derecha a la posición START (arranque). Una vez que arranque el motor, suelte la llave. Volverá a la posición RUN (funcionamiento).

### ⚠ PRECAUCIÓN

NO mantenga la llave en la posición START (arranque) durante más de diez segundos por vez. Si lo hace, puede ocasionar daños al arrancador eléctrico del motor.

4. Cuando se calienta el motor, tire gradualmente de la palanca de control del acelerador/cebador hacia atrás pasando la posición de detención del cebador o, en modelos con un cebador separado, desenganche lentamente el cebador. No use la posición del cebador para enriquecer la mezcla de combustible, a menos que sea necesario para arrancar el motor.
5. Deje que el motor funcione unos cuantos minutos a una aceleración intermedia antes de someterlo a la carga.
6. Observe el medidor horario/panel indicador. Si se enciende la luz del indicador de batería o de presión de aceite, detenga el motor inmediatamente. Haga que su distribuidor de servicio autorizado inspeccione el tractor.

## Arranque del Motor en Clima Frío

Al arrancar el motor a temperaturas cercanas o inferiores al punto de congelamiento, asegúrese de que se use aceite de motor de viscosidad correcta y que la batería tenga carga completa. Arranque el motor de la siguiente forma:

1. Asegúrese de que la batería se encuentre en buen estado. Una batería caliente tiene una capacidad de arranque mucho mayor que una batería fría.
2. Use combustible fresco para uso invernal. La gasolina para uso invernal tiene mayor volatilidad a los efectos de mejorar el arranque. No use gasolina que le haya quedado del verano.
3. Siga las instrucciones previas para Arrancar el motor.

## Uso de Cables de Arranque para Encender el Motor

### ⚠ ADVERTENCIA

Las baterías contienen ácido sulfúrico y producen gases explosivos. Asegúrese de que el área esté bien ventilada, use guantes y protectores de ojos y evite chispas o llamas cerca de la batería.

Si la carga de la batería no es suficiente para dar arranque al motor, vuelva a cargar la batería. Si no dispone de un cargador de batería y debe arrancar el tractor, puede ser necesario usar una batería de urgencia. Conecte la batería de urgencia de la siguiente forma:

1. Conecte el extremo de un cable al borne positivo de la batería del tractor que no funciona; luego conecte el otro extremo de ese cable al borne positivo de la batería de urgencia.
2. Conecte un extremo del otro cable al borne negativo de la batería de urgencia; luego conecte el otro extremo de ese cable al bastidor del tractor que no funciona, a la mayor distancia posible de la batería.
3. Arranque el tractor que no funciona según las instrucciones de arranque normales indicadas más arriba; luego desconecte los cables de puente en orden exactamente inverso al de la conexión.
4. Haga controlar y reparar el sistema eléctrico del tractor lo más pronto que fuere posible, para eliminar la necesidad de usar cables de puente para arrancarlo.



# FUNCIONAMIENTO

## Detención del Motor

1. Desconecte la PTO.
2. Mueva las palancas de control de la transmisión del lado derecho e izquierdo completamente hacia afuera hasta la posición de freno de mano activado.
3. Mueva el control del acelerador a la posición de Velocidad rápida.
4. Gire la llave a la posición STOP (detención) y quite la llave del módulo de encendido.

**Nota:** siempre quite la llave del módulo de encendido para evitar el arranque accidental o la descarga de la batería si el equipo queda sin supervisión.

## Funcionamiento de Práctica (uso inicial)

Operar un tractor con radio de giro cero no es lo mismo que operar un tractor convencional. Si bien precisamente un tractor con radio de giro cero es más maniobrable, es necesario practicar la operación de las palancas de control de la transmisión para acostumbrarse a las mismas.

Se recomienda enfáticamente que encuentre un "área de práctica" de superficie razonable, nivelada y abierta, en la cual no haya obstrucciones, peatones ni mascotas. Debe practicar la operación del tractor durante 30 minutos por lo menos.

Lleve (o haga que alguien lleve) el tractor al área de práctica con cuidado. Cuando esté practicando, la PTO no debe estar activada. Mientras practica, haga funcionar el tractor a aproximadamente 1/2-3/4 de aceleración y a menos de la velocidad máxima tanto en marcha adelante como en marcha atrás.

Ejercite cuidadosamente las maniobras con el tractor, usando las instrucciones de la sección siguiente "Conducción del tractor". Practique hasta que se sienta confiado de poder manejar el tractor con seguridad.

## Conducción del Tractor

### ⚠ ADVERTENCIA

Todos los movimientos de las palancas de control de la transmisión deben ser lentos y suaves. El movimiento abrupto de las palancas de control puede afectar la estabilidad del tractor y podría hacer que el tractor vuelque, con el resultado de lesiones graves o incluso la muerte del operador.

1. Ajuste el asiento del operador a la posición más cómoda que le permita operar los controles. Consulte la forma de hacerlo en la sección Montaje y Configuración.
2. Mueva las palancas de control de la transmisión del lado derecho y del lado izquierdo hacia adentro hasta la posición de punto muerto, lo cual desactiva también el freno de mano. Consulte la Figura 24.

**Nota:** las palancas de control de la transmisión se deben mover totalmente hacia adentro antes de empujar hacia adelante o hacia atrás a fin de asegurarse de que los frenos estén totalmente desactivados. Si estaciona el tractor en un terreno despajeado o en una colina, esto puede hacer que los frenos se agarren y no se suelten por completo. En este caso, el tractor no se desplazará cuando se muevan las palancas de control de la transmisión. Si esto ocurre, mueva la palanca de control de la transmisión en la dirección opuesta levemente para quitar la carga de los frenos y permitir que estos se liberen completamente.

**Nota:** si las palancas de control de la transmisión no están parejas en la posición de punto muerto, consulte la sección Mantenimiento y Ajustes para obtener instrucciones sobre la forma de ajustar las palancas de control de la transmisión para que queden parejas.

3. Mueva el acelerador a la posición de aceleración máxima.

### ⚠ ADVERTENCIA

Siempre sujete las palancas de control con firmeza. NO suelte las palancas de control para desplazarse más despacio o para detener el tractor; lleve las palancas a la posición de punto muerto con las manos.



Figura 24

4. Para conducir el tractor, tome firmemente las palancas de control de la transmisión respectivas con las manos derecha e izquierda y proceda con Conducción del Tractor Marcha Adelante, según las instrucciones de la siguiente sección.

## Conducción del Tractor en Marcha Adelante

1. Mueva las palancas de control de la transmisión de forma lenta y pareja hacia adelante. El tractor comenzará a desplazarse hacia adelante. Consulte la Figura 25.
2. A medida que las palancas de control de la transmisión se empujan más hacia adelante, aumenta la velocidad del tractor.
3. Para que el tractor se desplace más lentamente, mueva la palanca de control de la transmisión hacia atrás hasta alcanzar la velocidad deseada, o coloque las palancas de control de la transmisión en la posición de punto muerto para detener el tractor.

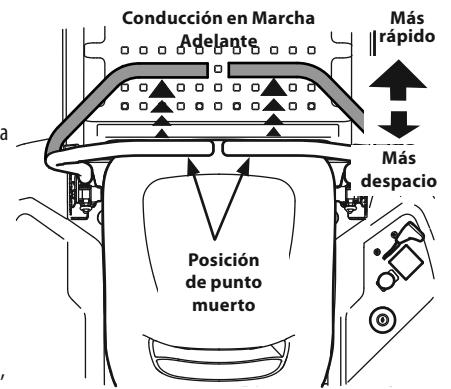


Figura 25

## Giro con el Tractor en Marcha Adelante

### ⚠ ADVERTENCIA

Los giros bruscos pueden afectar el control del tractor. Conduzca SIEMPRE el tractor lentamente antes de realizar giros bruscos.

Para que el tractor gire mientras se desplaza hacia adelante, mueva las palancas de control de la transmisión según sea necesario para que una palanca de control de la transmisión quede más atrás que la otra. El tractor girará en la dirección de la palanca de control de la transmisión marcha atrás.

1. Para girar a la izquierda, mueva la palanca de control de la transmisión del lado izquierdo hacia atrás respecto de la palanca de control de la transmisión derecha. Consulte la Figura 26.
2. Para girar a la derecha, mueva la palanca de control de la transmisión derecha hacia atrás respecto de la palanca izquierda. Consulte la Figura 27.

### Giro a la izquierda hacia adelante

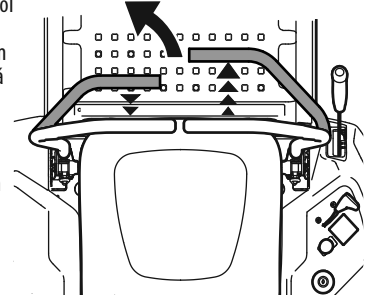


Figura 26

3. Cuanto mayor sea la distancia entre las dos palancas, más cerrado será el giro que dará el tractor.
4. Para realizar un "giro de pivote", mueva la palanca de control de la transmisión del lado de giro a la posición de punto muerto, mientras mueve la otra palanca de control hacia adelante.

### Giro a la derecha hacia adelante

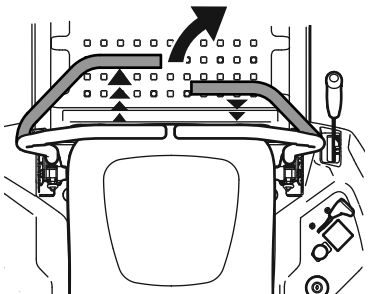


Figura 27

**Nota:** Los "giros de pivote" sobre el pasto aumentan significativamente el potencial de que se deteriore el césped.

# FUNCIONAMIENTO

## Conducción del Tractor en Marcha Atrás

### ⚠ ADVERTENCIA

Siempre mire hacia atrás y hacia abajo a ambos lados del tractor antes de desplazarse marcha atrás. Siempre mire hacia atrás cuando se desplaza en marcha atrás. No se recomienda cortar el césped en marcha atrás.

1. Mueva las dos palancas de control de la transmisión de forma lenta y pareja hacia atrás. El tractor comenzará a moverse hacia atrás. Consulte la Figura 28.
2. A medida que las palancas de control de la transmisión se empujan más hacia atrás, aumenta la velocidad del tractor.
3. Para que el tractor se desplace más lentamente, mueva las palancas de control de la transmisión hacia adelante hasta alcanzar la velocidad deseada, o coloque las palancas de control de transmisión en la posición de punto muerto para detener el tractor.

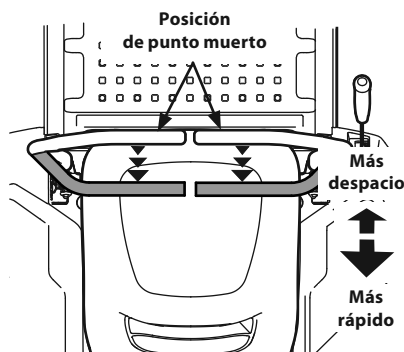


Figura 28

## Giro en Conducción en Marcha Atrás

Para que el tractor gire mientras se desplaza hacia atrás, mueva las palancas de control de la transmisión según sea necesario para que una palanca de control de la transmisión quede más adelante que la otra. El tractor girará en la dirección de la palanca de control de la transmisión de marcha hacia adelante.

1. Para girar a la izquierda mientras se desplaza marcha atrás, mueva la palanca de control del lado izquierdo hacia adelante respecto de la palanca derecha. Consulte la Figura 29.
2. Para girar a la derecha mientras se desplaza marcha atrás, mueva la palanca de control del lado derecho hacia adelante respecto de la palanca de control de la transmisión izquierda. Consulte la Figura 30.
3. Para realizar un "giro de pivote", mueva la palanca de control de la transmisión del lado de giro a la posición de punto muerto, mientras mueve la otra palanca de control de la transmisión hacia atrás.

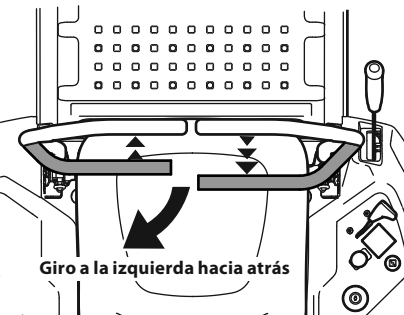


Figura 29

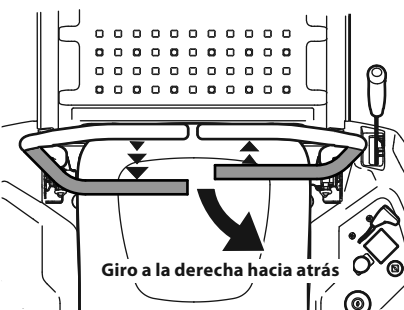


Figura 30

**Cuanto** mayor sea la distancia entre las dos palancas de control de la transmisión, más cerrado será el giro que dará el tractor.

**Nota:** Los "giros de pivote" sobre el pasto aumentan significativamente el potencial de que se deteriore el césped.

## Giro de Radio Cero

1. Detenga el movimiento del tractor hacia adelante o hacia atrás colocando las dos palancas de control de la transmisión en punto muerto.

### Giro de radio cero hacia la derecha

2. Para girar en el sentido de las agujas del reloj, mueva la palanca de control de la transmisión izquierda hacia adelante mientras mueve simultáneamente la palanca de control de la transmisión derecha hacia atrás. Consulte la Figura 31.

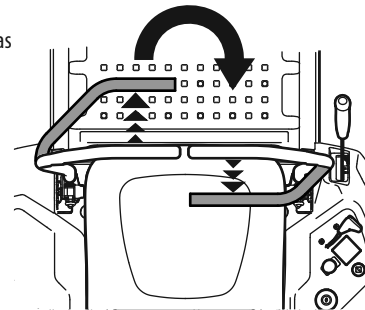


Figura 31

3. Para girar en sentido contrario a las agujas del reloj, mueva la palanca de control de la transmisión derecha hacia adelante mientras mueve simultáneamente la palanca de control de la transmisión izquierda hacia atrás. Consulte la Figura 32.

### Giro de radio cero hacia la izquierda

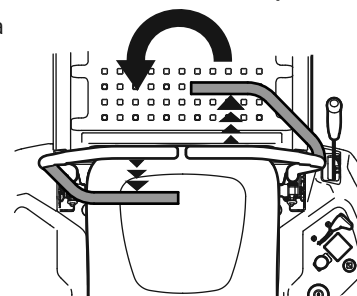


Figura 32

## Detención del Tractor

1. Mueva las dos palancas de control de la transmisión a la posición de punto muerto para detener el movimiento del tractor.
2. Empuje la PTO hacia abajo, hasta la posición OFF (apagado).
3. Use la manija/perilla de elevación de la plataforma para levantar la plataforma a su posición más alta.
4. Si desea bajarse del tractor, mueva las palancas de control de la transmisión totalmente hacia afuera hasta la posición de punto muerto, lo cual también acciona el freno de mano, mueva el acelerador a la posición FAST (rápido), gire la llave hasta la posición STOP (detención) y retirela del módulo de encendido.

### ⚠ ADVERTENCIA

No abandone el asiento del tractor sin desenganchar la toma de fuerza (PTO) y sin colocar las palancas de control de la transmisión totalmente hacia afuera en la posición de freno de mano aplicado. Si deja el tractor sin vigilancia, gire la llave de contacto hasta la posición STOP (detención) y retirela.

## Activación de la PTO

Al conectar la PTO se suministra alimentación a la plataforma de corte o a otros accesorios (disponibles por separado). Para activar la PTO:

1. Mueva el acelerador a la posición FAST (rápido).
2. Tire del interruptor de la PTO hacia arriba/afuera a la posición de activación (ON).

**Nota:** Cuando haga funcionar el tractor asegúrese de que el acelerador esté siempre en la posición FAST (rápido). El funcionamiento con el acelerador a menos de máxima velocidad puede acortar la vida útil de la batería y producir un corte de mala calidad.

3. Para desactivar la PTO, presione el interruptor de la PTO para abajo/adentro a la posición de desactivación (OFF).

# FUNCIONAMIENTO

## Corte de Césped

### ⚠ ADVERTENCIA

Para ayudar a evitar el contacto con las cuchillas o una lesión por algún objeto que sea arrojado, mantenga a las personas que lo observan, a los ayudantes, niños y mascotas alejados al menos 25 metros de la máquina mientras está en funcionamiento. Pare la máquina si alguien ingresa a la zona.

### ⚠ ADVERTENCIA

Asegúrese de que el área donde se va a cortar esté libre de desechos, ramitas, piedras, cables u otros objetos que puedan ser arrojados por las cuchillas rotativas.

**Nota:** no enganche la plataforma de la cortadora cuando esté baja sobre el pasto. Se produce el desgaste prematuro y la posible falla de la correa en "V" y del embrague de la PTO. Antes de activar la plataforma de corte, levante totalmente la plataforma o lleve la máquina a un área donde no haya césped.

- Corte de forma transversal a la pendiente, no hacia arriba ni hacia abajo. Si corta el césped en pendiente, comience por la base y desplácese hacia arriba para asegurar que siempre se gire cuesta arriba.
- No corte a alta velocidad absoluta, especialmente si tiene instalado un kit de abono o un colector de césped.
- No corte el césped demasiado corto. El césped corto fomenta el crecimiento de maleza y se pone amarillo rápidamente cuando escasea la lluvia.
- Siempre haga funcionar el tractor con el acelerador en la posición FAST (rápido) mientras corta el césped.
- Al realizar la primera pasada elija un punto del lado opuesto del área a cortar. Siga el punto para mantener una línea recta.
- Active PTO y mueva el control del acelerador o del acelerador/cebador a la posición FAST (rápido).
- Baje la plataforma de corte al valor de altura deseado.
- Para obtener los mejores resultados, se recomienda realizar las dos primeras vueltas de corte con la descarga hacia el centro. Después de las dos primeras pasadas, cambie la dirección para arrojar la descarga hacia afuera, para equilibrar el corte. Esto otorgará un mejor aspecto al césped.
- Empuje las palancas de control de la transmisión derecha e izquierda lenta y uniformemente hacia adelante para que el tractor avance hacia adelante, y mantenga la orientación del tractor en línea recta hacia el punto de alineación.

**Nota:** La velocidad del tractor afecta la calidad del corte que realiza la cortadora. Si realiza el corte a máxima velocidad la calidad se ve afectada negativamente. Controle la velocidad absoluta con las palancas de control de la transmisión.

- Su tractor fue diseñado para cortar césped residencial normal, con una altura no mayor de 10" (25 cm). No intente cortar césped demasiado crecido, seco (como un pastizal) ni pilas de hojas secas. El césped o las hojas que estén secos pueden entrar en contacto con el escape del motor y/o acumularse en el tractor.
- NO intente cortar malezas frondosas o césped sumamente alto. El tractor fue diseñado para cortar el césped, NO para podar malezas.
- Mantenga las cuchillas afiladas y cámbielas cuando se gasten.
- Cuando se acerque al otro extremo de la franja, reduzca la velocidad o deténgase antes de girar. Se recomienda realizar un giro en U a menos que sea necesario realizar un giro de radio cero.
- Alinee la cortadora de césped con un borde de la franja cortada y superponga la pasada aproximadamente 3" (7.6 cm).
- Oriente el tractor en cada franja subsiguiente de modo que se alinee con la franja ya cortada.
- Para evitar la formación de surcos o ranuras en el césped, en lo posible varíe la dirección de las franjas de corte aproximadamente 45° en cada corte subsiguiente.

Siempre que detenga el tractor por cualquier razón en un área de césped, haga lo siguiente:

- Mueva las palancas de control de la transmisión del lado derecho e izquierdo completamente hacia afuera hasta la posición de freno de mano activado.
- Apague el motor y retire la llave.
- Eso permitirá reducir al mínimo la posibilidad de que su césped resulte "quemado" por el escape caliente del motor en funcionamiento.

# SERVICIO Y MANTENIMIENTO

## PROGRAMA DE MANTENIMIENTO

### ADVERTENCIA

Antes de realizar cualquier tipo de mantenimiento o servicio, desactive todos los controles y detenga el motor. Espere a que se detengan completamente todas las piezas móviles. Desconecte el cable de la bujía de encendido y póngalo haciendo masa contra el motor para evitar que se encienda accidentalmente. Utilice siempre anteojos de seguridad durante el funcionamiento o mientras ajusta o repara este equipo.

Siga el programa de mantenimiento que se presenta a continuación. En esta tabla sólo se describen pautas de servicio. Utilice la columna Registro de Servicio para hacer el seguimiento de las tareas de mantenimiento completadas.

Consulte el Manual del Operador del Motor para obtener información sobre las tareas de mantenimiento del motor que se enumeran en la tabla a continuación.

	Antes de Cada Uso	Después de las primeras 5 horas	Cada 10 horas	Cada 25 horas	Cada 50 horas	Cada 100 horas	Cada 200 horas	Antes de Almacenar	Consulte el Manual del Motor
Verifique/limpie los filtros de admisión del motor y ventiladores de refrigeración #	✓							✓	
Verifique/limpie el colector de escape, tubo del silenciador y los protectores del silenciador #	✓							✓	
Verifique/limpie la parte de arriba y de abajo de la plataforma y debajo y alrededor de las cubiertas de husillos y área de correas #	✓							✓	
Verifique/limpie alrededor de los fusibles, cableado y mazos de cables #	✓							✓	
Verifique/limpie alrededor de la transmisión, eje y ventiladores #	✓							✓	
Verifique/Agregue/Cambie el líquido para transmisión según sea necesario							✓		
Revise si el filtro de aire tiene piezas sucias, sueltas o dañadas	✓								
Controle el nivel de aceite del motor	✓								
Limpie los bornes de la batería			✓					✓	
Engrase todos los puntos de lubricación			✓					✓	
Revise el filtro de admisión del motor/limpie según sea necesario			✓					✓	
Revise las cuchillas/afile o reemplace según sea necesario			✓					✓	
Verifique la presión de aire de los neumáticos			✓					✓	
Revise/limpie la parte de abajo de la plataforma			✓						
Controle el sistema de enclavamiento de seguridad			✓					✓	
Inspeccione el hardware de ROPS y el conjunto del cinturón de seguridad			✓					✓	
Verifique el tiempo de detención de las cuchillas			✓					✓	
Inspeccione y lubrique las ruedas de la plataforma				✓				✓	
Control el nivel/inclinación de la plataforma				✓				✓	
Controle las correas y poleas para ver si están dañadas/desgastadas					✓				
Compruebe que todos los elementos de ferretería estén en su lugar y seguros						✓			
Compruebe el par de ajuste de los pernos de montaje del motor (Ajuste hasta 325-450 pulgadas-libras (37-50 N-m))		✓			✓			✓	✓
Compruebe el par de ajuste de los pernos de montaje de las cuchillas (Ajuste hasta 70-90 pies-libras (95-122 N-m))		✓			✓			✓	
Controle el estado y la separación de la bujía de encendido						✓		✓	✓
Cambio del aceite de asentamiento del motor		✓							✓
Cambie el aceite del motor					✓			✓	✓
Controle el sistema de combustible (circuitos, depósito, tapón, accesorios)		✓			✓			✓	✓
Controle el amortiguador de chispas		✓			✓			✓	✓
Reemplace el filtro de aceite					✓			✓	✓
Limpie o cambie el filtro de aire					✓				✓
Reemplace el filtro de combustible					✓				✓
Haga revisar y ajustar la holgura de la válvula *									✓

\*-- Solicite a un distribuidor de servicio autorizado que realice este servicio

#-- Realice esta acción con mayor frecuencia en condiciones de sequía y/o cuando haga abono

# SERVICIO Y MANTENIMIENTO

**Nota:** Este Manual del Operador corresponde a varios modelos. Las características del tractor pueden variar según los modelos. No todas las características que se incluyen en este manual se aplican a todos los modelos de tractor y la máquina que se ilustra aquí puede diferir de la suya.

## Cuidado del Tractor Posterior al Funcionamiento

Después de cada vez que se usa el tractor, a fin de asegurar condiciones seguras de funcionamiento, consulte la tabla del Cronograma de Mantenimiento que se presenta en este manual para un cuidado adecuado del tractor.

### ⚠ ADVERTENCIA

Si no se siguen estas recomendaciones, usted u otras personas podrían sufrir lesiones graves, o se podría dañar el tractor.

## Limpieza del Tractor

### ⚠ ADVERTENCIA

Si el tractor ha estado en funcionamiento recientemente, el motor, el silenciador y las superficies metálicas circundantes estarán muy calientes y pueden causar quemaduras en la piel. Deje que el motor se enfríe durante al menos cinco minutos. Tenga precaución para evitar quemaduras.

El tractor se debe limpiar después de cada uso y bajo ciertas condiciones; es decir, en condiciones secas y/o cuando se haga abono, podría ser necesario realizar limpiezas adicionales.

Una de las mejores maneras de mantener el funcionamiento eficiente de su tractor y reducir el riesgo de incendio es eliminar regularmente la acumulación de desechos del tractor. Siga las recomendaciones a continuación y contacte a su distribuidor autorizado si tiene alguna pregunta.

- Deje que la máquina se enfríe al menos cinco minutos en un área abierta antes de limpiarla.

**Nota:** No se recomienda el uso de una lavadora de presión ni de una manguera de jardín para limpiar el tractor excepto para limpiar la parte inferior de la plataforma. Puede dañar los componentes eléctricos, los husillos, las poleas, los rodamientos o el motor. El uso de agua acortará la vida útil de la máquina y reducirá su capacidad de servicio.

- Mantenga ambos lados de las ranuras de enfriamiento de la transmisión, el colector de escape, alrededor de los fusibles, todo el cableado y los arneses de cables, el tubo del silenciador, el protector del silenciador, los filtros de admisión del motor y las aletas de refrigeración, etc. libres de residuos de pasto y hojas. Consulte la Figura 33.
- Limpie la parte superior de la plataforma de corte, debajo de las cubiertas de husillos y del área de correas. Consulte la Figura 34.

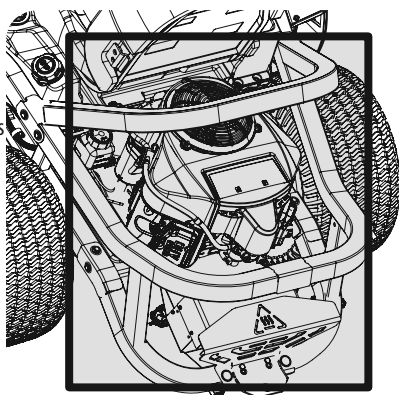


Figura 33

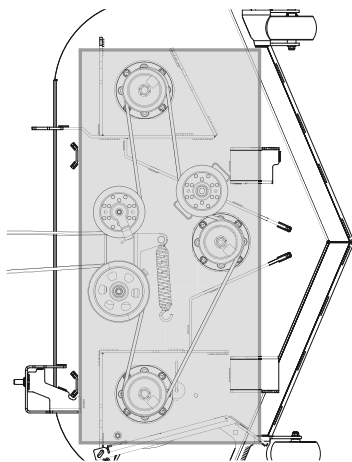
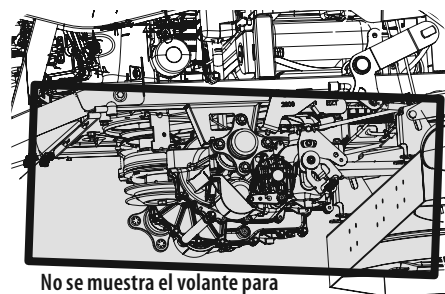


Figura 34

- Limpie alrededor y cerca de la transmisión, eje y área de ventiladores. Consulte la Figura 35.
- Se pueden acumular residuos en cualquier parte del tractor, especialmente en superficies horizontales. Puede ser necesario realizar una limpieza adicional cuando corte césped en condiciones secas o cuando haga abono.



No se muestra el volante para mayor claridad

Figura 35

- Las fugas y los derrames de combustible o de aceite y la lubricación excesiva también pueden convertirse en lugares de acumulación de residuos. La reparación de las fugas y la limpieza inmediata de los derrames de aceite o de combustible pueden ayudar a reducir los riesgos de incendio.
- Además de limpiar el tractor antes de utilizarlo y antes de guardarlo, no intente cortar césped demasiado crecido (de 10" (25.4 cm) o más de altura), seco (como un pastizal) ni pilas de hojas secas. El césped o las hojas secas pueden entrar en contacto con el escape del motor y/o acumularse en la plataforma de corte presentando un potencial peligro de incendio.

## Almacenamiento del Tractor

- Deje que la máquina se enfríe en un lugar abierto al menos cinco minutos antes de almacenarla.
- No estacione el tractor cerca de cualquier material inflamable (madera, ropa o productos químicos) o de llamas abiertas o cualquier otra fuente de ignición (hornos, calentadores de agua u otros tipos de calefactores).
- Quite todos los materiales combustibles del tractor antes de guardarlo. Vacíe las cajas de carga y los colectores o contenedores de césped.
- Si el tractor está equipado con una válvula de corte de combustible, interrumpa siempre el flujo de combustible cuando almacene o transporte el tractor.
- Verifique el sistema de combustible (circuitos, el depósito, el tapón y los accesorios) de acuerdo con el cuadro de mantenimiento para ver si hay grietas o pérdidas. Repárelos y límpielos según sea necesario.

## Mantenimiento

### Retiro del Panel del Piso

### ⚠ ADVERTENCIA

No opere el tractor si se extrajo el panel del piso.

En algunos modelos se puede extraer el panel del piso para realizar tareas de mantenimiento, reparaciones y limpieza. Para extraer el panel del piso:

1. Levante con cuidado la parte trasera del panel del piso. Consulte 1 en la Figura 36.
2. Para liberar el frente del panel del piso, deslícelo hacia atrás. Consulte 2 en la Figura 36.
3. Levántelo para separarlo del tractor. Consulte 3 en la Figura 36.
4. Para volver a colocar el panel del piso en el tractor, coloque con cuidado en su lugar las lengüetas frontales que están en el frente del panel del piso y baje la parte trasera del panel para colocarla en su lugar.

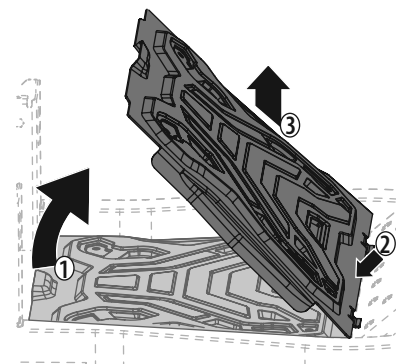


Figura 36

# SERVICIO Y MANTENIMIENTO

## Motor

### ⚠ ADVERTENCIA

Deje que la máquina se enfríe en un lugar abierto al menos cinco minutos antes de almacenarla o de volver a cargarle combustible.

Consulte las instrucciones y procedimientos de mantenimiento del motor en el Manual del Operador del Motor.

**Nota:** El mantenimiento, la reparación o el reemplazo de los dispositivos y sistemas de control de emisiones que se estén realizando por cuenta del propietario pueden ser llevados a cabo por cualquier individuo o establecimiento especializados en reparación de motores. Los arreglos en garantía deben ser realizados por un distribuidor autorizado.

## Cambio del Aceite del Motor

### ⚠ ADVERTENCIA

Si el tractor ha estado en funcionamiento recientemente, el motor, el silenciador y las superficies metálicas circundantes estarán muy calientes y pueden causar quemaduras en la piel. Deje que el motor se enfríe durante al menos cinco minutos. Tenga precaución para evitar quemaduras.

**Nota:** el filtro de aceite se debe cambiar en cada intervalo de cambio de aceite.

Para realizar el cambio de aceite, proceda de la siguiente manera:

1. Ubique la manguera de drenaje de aceite (a) que está en el costado del motor.
2. Para recoger el aceite usado, coloque un recipiente adecuado con al menos una capacidad de 2.5 cuartos de galón (2.37 litros), debajo de la abertura de la manguera de drenaje de aceite. Retire el tapón de llenado de aceite/la varilla de nivel de aceite (b) del tubo de llenado.

3. Mientras sostiene el extremo libre de la manguera de drenaje de aceite sobre el recipiente de recolección de aceite, desenrosque el tapón con cabeza cuadrada de la manguera (c) del extremo de la manguera de drenaje de aceite. Consulte la Figura 37.

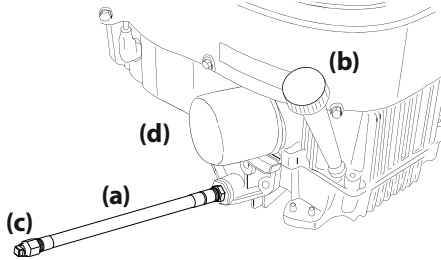


Figura 37

4. Drene el aceite del motor dentro del recipiente recolector.
5. Una vez que haya drenado el aceite, limpie el aceite residual de la manguera de drenaje de aceite. Enrosque el tapón con cabeza cuadrada de la manguera en el accesorio de la manguera de drenaje de aceite, y ajuste dicho tapón hasta 16 pies-libras (22 N-m).
6. Extraiga el filtro de aceite (d) y drene en el recipiente recolector.

**Nota:** Coloque una toalla absorbente debajo del filtro de aceite para mantener el aceite fuera del embrague.

**Nota:** Respete las normas y reglamentaciones sobre la manera correcta de desechar gasolina, aceite, etc. para proteger el medio ambiente.

**Nota:** el mantenimiento, la reparación o el reemplazo de los dispositivos y de los sistemas de control de emisiones que se estén realizando por cuenta del propietario pueden ser llevados a cabo por cualquier individuo o establecimiento especializados en reparación de motores. Los arreglos en garantía deben ser realizados por un distribuidor autorizado.

## Lubricación

### ⚠ ADVERTENCIA

Antes de lubricar, reparar o inspeccionar, desconecte siempre la toma de fuerza (PTO), ponga el freno de mano, pare el motor y retire la llave, para evitar el encendido accidental del motor.

- Con un aceite lubricante de buena calidad, lubrique todos los puntos de lubricación. Consulte la tabla del cronograma de mantenimiento que figura en este manual para conocer los intervalos de mantenimiento adecuados.

## Mantenimiento del Amortiguador de Chispas (si se incluye)

Los conjuntos de amortiguadores de chispas se deben inspeccionar y limpiar periódicamente (consulte la tabla de intervalos de mantenimiento que figura en este manual). Inspeccione visualmente el filtro para detectar roturas, cables rotos o soldaduras sueltas. Vuelva a colocar el conjunto de amortiguador de chispas si existen algunas de estas condiciones. Si el filtro está en buenas condiciones, límpielo cepillando para sacar la suciedad o las partículas de carbono sueltas.

## Neumáticos

Mantenga los neumáticos inflados a las presiones recomendadas. El inflado inadecuado de un neumático reduce su vida útil. Consulte los laterales de los neumáticos para averiguar las presiones de inflado adecuadas. Consulte la tabla del cronograma de mantenimiento que figura en este manual para conocer los intervalos de mantenimiento adecuados.

Respete las siguientes pautas:

- No infle los neumáticos por encima de la presión máxima que se muestra en el lateral del neumático.
- No vuelva a inflar un neumático que se ha utilizado desinflado o desinflado en extremo. Un gomero calificado debe inspeccionar y reparar el neumático.

## Transmisión Hidrostática

Su tractor de radio de giro cero está equipado con dos transejes/bombas hidrostáticas. Algunos modelos están equipados con un depósito de expansión de aceite de transmisión. En condiciones operativas normales, no es necesario controlar el nivel de aceite de los depósitos de expansión y no hace falta aceite adicional.

## Procedimiento para Controlar y Agregar Aceite de Transmisión

### ⚠ ADVERTENCIA

Controle el nivel de aceite ÚNICAMENTE antes de arrancar el tractor cuando el aceite de transmisión está totalmente refrigerado.

1. Limpie el tapón del depósito y el área que la rodea para evitar que el aceite de transmisión se contamine con partículas. Consulte la Figura 38.
2. Gire el tapón del depósito en sentido contrario al de las agujas del reloj para retirarlo, luego controle el nivel de aceite del depósito. El aceite debe ser visible en la base de la cubeta, pero el nivel del mismo NO debe estar por encima de la línea de "LLENO FRÍO". Consulte la Figura 38. NO LLENE EL DEPÓSITO.
3. Si es necesario agregar aceite a causa de algún tipo de pérdida, use aceite para motor de calidad 20W50 y agregue solamente la cantidad suficiente para llevar el nivel a la línea de "LLENO FRÍO". Vuelva a colocar el tapón y ajústelo por completo.

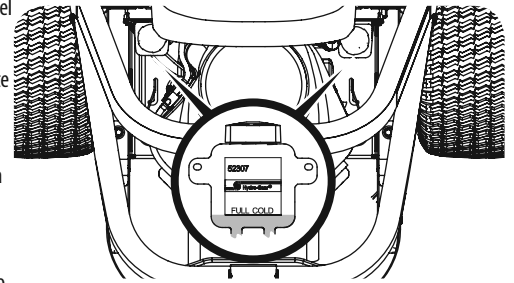


Figura 38

**Nota:** antes del funcionamiento inicial del tractor, el nivel de aceite del depósito puede estar levemente por encima del máximo debido a la presencia de aire en los circuitos de aceite. El funcionamiento del tractor finalmente purgará el aire de los circuitos y el nivel de aceite se estabilizará en el máximo.

4. Repita este proceso para la otra transmisión.

## Cambio de Aceite de la Transmisión y Filtro (si se incluye)

**Nota:** consulte la tabla del cronograma de mantenimiento que figura en este manual para conocer los intervalos de mantenimiento adecuados.

Para cambiar el aceite de la transmisión:

1. Extraiga el tapón del depósito de expansión de aceite de la transmisión. Consulte la Figura 38.
2. Extraiga los tres tornillos de la protección del filtro (a) y la protección del filtro (b). Limpie los residuos sueltos que haya alrededor del filtro (c). Consulte la Figura 39.
3. Coloque una bandeja para el drenaje de aceite con 8 cuartos (7.6 litros) de capacidad por debajo del filtro.
4. Extraiga el filtro.

# SERVICIO Y MANTENIMIENTO

5. Cuando deja de salir aceite, limpie la base del filtro y aplique una capa delgada de aceite limpio en la base del filtro.
6. Instale el nuevo filtro.
7. Vuelva a instalar la protección del filtro.
8. Extraiga el tapón del orificio superior (d) de los transejes para permitir que se purguen durante el llenado. Consulte la Figura 39.

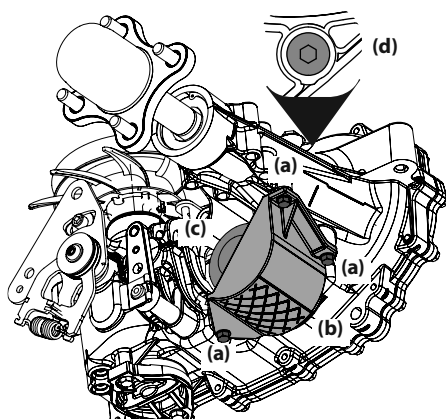


Figura 39

9. Con aceite para motor 20W50 de gran calidad, llene lentamente los transejes hasta que aparezca aceite en el orificio superior de los transejes.
10. Vuelva a colocar los tapones de los orificios superiores. Ajuste hasta 180 pulgadas-libras (20.3 N-m) y siga llenando hasta llegar a la línea "LLENO FRÍO".
11. Vuelva a colocar el tapón del depósito y ajuste completamente.
12. Repita el proceso para la otra transmisión.
13. Cuando reemplace el aceite de la transmisión, se debe realizar un procedimiento de "purga" para eliminar el aire del sistema. El procedimiento se debe realizar con las ruedas traseras separadas del suelo o en un lugar donde no haya observadores ni objetos. Para realizar el procedimiento de purga:
  - a. Desactive el freno, abra la válvula de derivación y arranque el tractor.
  - b. Mueva las palancas de control del transmisión adelante y atrás 5 a 6 veces lentamente.
  - c. Cierre la válvula de derivación.
  - d. Mueva las palancas de control del transmisión adelante y atrás 5 a 6 veces lentamente.
  - e. Verifique el nivel del aceite y agregue más de ser necesario.
  - f. Repita los pasos a-c hasta que los transejes funcionen con niveles de ruido normales y velocidades normales.

## Almacenamiento Fuera de Temporada

Si el tractor no va a funcionar por un período prolongado (treinta días o más), se lo debe preparar para el almacenamiento. Guarde el tractor en un lugar seco y protegido. Si lo guarda afuera, cúbralo (incluidos los neumáticos) para protegerlo de los fenómenos climáticos. Cada vez que almacene el tractor se deben realizar los procedimientos que se describen más abajo.

1. Cambie el aceite y el filtro del motor siguiendo las instrucciones suministradas en este manual, como así también en el manual del motor embalado con este tractor.

### ⚠ ADVERTENCIA

**Nunca guarde el tractor con combustible en el depósito en un lugar cerrado o con escasa ventilación, donde los gases del combustible pueden alcanzar llamas abiertas, chispas o una luz piloto como la de un horno, calentador de agua, secador de ropa, etc.**

2. Si guarda el tractor por 30 días o más:
  - a. Para evitar que se formen depósitos de goma dentro del carburador del motor y posibles desperfectos en el motor, el sistema de combustible debe ser vaciado completamente, o se debe tratar la gasolina con un estabilizador para evitar el deterioro.
  - b. Uso de un estabilizador de combustible para almacenamiento de entre 30 y 90 días:
    - Lea las instrucciones y recomendaciones del fabricante del producto.
    - Agregue a la gasolina limpia y nueva la cantidad correcta de estabilizador según la capacidad (aproximadamente 5 galones) del sistema de combustible.

- Llene el depósito de combustible con combustible tratado y haga funcionar el motor 2-3 minutos para estabilizar el combustible dentro del carburador.
  - El combustible que queda en el depósito se deteriora y causa graves problemas de arranque.
- c. Vaciado del sistema de combustible para almacenamiento de más de 90 días:
    - Antes de guardar el tractor, observe el consumo de combustible a los efectos de hacer funcionar el tractor hasta que el depósito esté vacío.
    - Haga funcionar el motor hasta que comience a detenerse. Use el cebador para mantener el motor en funcionamiento hasta que se haya agotado todo el combustible del carburador.
    - Drene el combustible del recipiente del carburador, consultando el manual del motor.

3. Limpie perfectamente el motor y todo el tractor.

**Nota:** No se recomienda el uso de una lavadora de presión ni de una manguera de jardín para limpiar el tractor excepto para limpiar la parte inferior de la plataforma. Puede dañar los componentes eléctricos, los husillos, las poleas, los rodamientos o el motor. El uso de agua acortará la vida útil de la máquina y reducirá su capacidad de servicio.

4. Cargue totalmente la batería, luego desconecte el cable negativo de la batería para evitar posibles descargas. Vuelva a cargar la batería periódicamente durante el almacenamiento.
- Nota:** Retire la batería si ha estado expuesta a períodos prolongados de temperaturas inferiores al congelamiento. Guarde en un lugar fresco y seco, donde las temperaturas estén por encima del punto de congelamiento.
5. Lubrique todos los puntos de lubricación.

## Retiro del Tractor del Lugar de Almacenamiento

1. Inspeccione el aceite del motor.
2. Cargue totalmente la batería e infle los neumáticos a la presión recomendada. Consulte los laterales de los neumáticos para averiguar las presiones de inflado adecuadas.
3. Llene el depósito de combustible con gasolina limpia y nueva.
4. Arranque el motor y déjelo andar en ralentí unos cuantos minutos para asegurar que su funcionamiento sea adecuado.
5. Conduzca el tractor sin carga para estar seguro de que todos los sistemas del tractor funcionan correctamente.

## Ajustes

### Ajuste del pedal de elevación de la plataforma

El pedal de elevación de la plataforma se puede ajustar según la preferencia del operador.

1. Coloque la plataforma en la posición de transporte
2. Retire el perno hexagonal, la arandela y la tuerca hexagonal cerca del centro del conjunto del pedal. Vea la Figura 40.
3. Coloque el pedal en la posición óptima según la preferencia del operador. Vea la Figura 41.
4. Vuelva a instalar el hardware que retiró anteriormente y apriete la tuerca a 28-35 pies-libras (38-47 N-m). Vea la Figura 40.

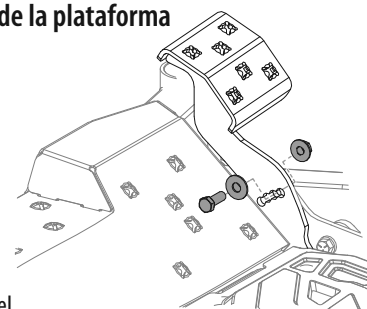


Figura 40

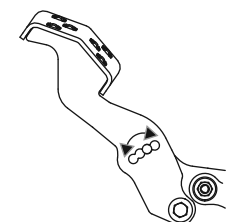


Figura 41

# SERVICIO Y MANTENIMIENTO

## Nivelación de la Plataforma

Si la plataforma de corte estuviera realizando el corte de césped de forma despareja, pueden realizarse ajustes de nivelación.

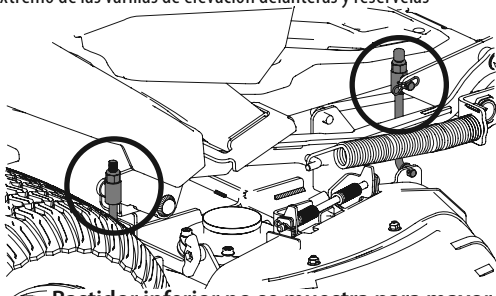
### ⚠ ADVERTENCIA

Si el tractor ha estado en funcionamiento recientemente, el motor, el silenciador y las superficies metálicas circundantes estarán muy calientes y pueden causar quemaduras en la piel. Deje que el motor se enfríe durante al menos cinco minutos. Tenga precaución para evitar quemaduras.

## Nivelación de la Plataforma (de lado a lado)

1. Coloque el tractor sobre una superficie nivelada y firme.
2. Verifique que todos los neumáticos estén correctamente inflados.
3. Coloque la manija de elevación de la plataforma o la perilla de elevación de la plataforma en la posición intermedia de corte y gire ambas cuchillas exteriores para que queden perpendiculares al tractor.
4. Mida la distancia desde la parte externa de la punta de la cuchilla izquierda hasta el piso, y desde la parte externa de la punta de la cuchilla derecha hasta el piso. Las dos mediciones obtenidas deben ser iguales. Si no lo son, prosiga con el paso siguiente.
5. Ubique los pernos de ajuste arriba de las varillas de elevación de la plataforma del lado izquierdo y derecho de la plataforma. Hay uno de cada lado en el frente de la plataforma entre la plataforma y el tubo del bastidor inferior, y uno a cada lado de la parte trasera de la plataforma cerca del frente de la rueda trasera. Consulte la Figura 42.

6. Quite la tapa de extremo de las varillas de elevación delanteras y resérvelas para volver a instalarla.
7. Para elevar la altura de la plataforma, gire los pernos del lado izquierdo (delanteros y traseros) o del lado derecho (delanteros y traseros) en sentido horario o en sentido antihorario para bajar la plataforma, dependiendo del ajuste necesario. Ajuste cada perno igualmente.



Bastidor inferior no se muestra para mayor claridad

Figura 42

**Nota:** Haga los ajustes en incrementos de un cuarto de giro, y vuelva a medir la distancia de la cuchilla de ambos lados con frecuencia.

## Nivelación de la Plataforma (inclinación/de adelante hacia atrás)

El frente de la plataforma debe estar entre  $\frac{1}{16}$ - $\frac{1}{4}$ " (2-6 mm) más abajo que la parte trasera de la plataforma. De ser necesario, realice un ajuste de la siguiente manera:

1. Estacione el tractor sobre una superficie firme y nivelada, y coloque la perilla de elevación de plataforma en una posición intermedia.
2. Verifique que todos los neumáticos estén correctamente inflados.
3. Verifique que haya nivelación lado a lado.
4. Rote la cuchilla lo más cerca posible del canal de descarga de manera que esté en paralelo con el tractor.
5. Mida la distancia desde la parte delantera de la punta de la cuchilla hasta el suelo, y desde la parte posterior de la punta de la cuchilla hasta el suelo. La primera medición tomada debe ser entre  $\frac{1}{8}$ - $\frac{3}{8}$ " (3-9 mm) menos que la segunda medición.
6. Determine la distancia aproximada necesaria para un ajuste adecuado y, de ser necesario, proceda.
  - a. Quite la tapa de extremo de las varillas de ajuste de elevación de la plataforma delanteras y resérvelas para volver a instalarla. Consulte la Figura 43.

- b. Gire ambos pernos delanteros en sentido horario para elevar la inclinación de la plataforma delantera o en sentido antihorario para bajar la inclinación de la plataforma delantera, dependiendo del ajuste necesario. Ajuste cada perno igualmente. Consulte la Figura 43.

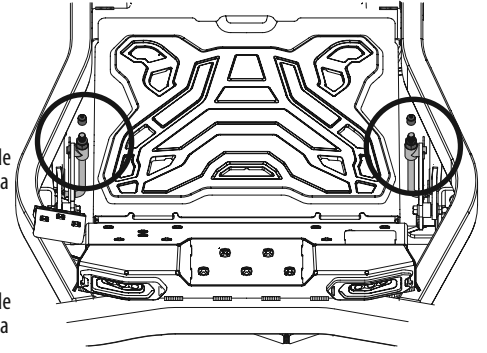


Figura 43

**Nota:** Haga los ajustes en incrementos de un cuarto de giro, y vuelva a medir la distancia de la cuchilla de inclinación de la plataforma de adelante a atrás con frecuencia hasta alcanzar la inclinación correcta.

- c. Vuelva a instalar las tapas de extremo en las varillas de la plataforma.

## Ajuste de las Ruedas de la Plataforma

### ⚠ ADVERTENCIA

Mantenga las manos y los pies alejados de la abertura de descarga de la plataforma de corte.

**Nota:** Las ruedas de la plataforma constituyen un mecanismo para el cuidado del césped y no fueron diseñadas para soportar el peso de la plataforma de corte. Las ruedas de la plataforma deben estar aproximadamente entre  $\frac{1}{4}$ - $\frac{1}{2}$ " (6.35-12.7 mm) por encima del nivel del suelo cuando la plataforma se fija en el valor de altura deseado. Para obtener instrucciones sobre cómo ajustar las ruedas de la plataforma consulte la sección Montaje y Configuración.

## Ajuste de Detención de las Palancas de Control de la Transmisión

Cuando ambas palancas de control de la transmisión están completamente extendidas hacia adelante hasta la posición de velocidad máxima y el tractor se desplaza a la derecha o la izquierda, se puede regular el ajuste de detención de las palancas de control de la transmisión para sincronizar las velocidades de las ruedas. Para realizar el ajuste proceda de la siguiente manera:

1. Identifique el lado hacia el que se desplaza el tractor y ajuste la palanca de control de la transmisión del lado contrario. Si el tractor se desplaza hacia la derecha, ajuste la palanca de control de la transmisión izquierda hacia abajo (reduzca la velocidad) y viceversa.
2. Ubique los pernos del ajuste de detención de las palancas de control de la transmisión (a) que están en el frente del marco de asiento. Consulte la Figura 44.

**Nota:** Para hacer este ajuste, se puede usar la herramienta para usos múltiples (si se incluye).

3. Para reducir la velocidad de avance, gire los pernos de ajuste de detención de las palancas de control de la transmisión (a) en el sentido de las agujas del reloj. Para incrementar la velocidad de avance, gire los pernos de ajuste de detención de las palancas de control de la transmisión (a) en el sentido contrario a las agujas del reloj. Gire los pernos de ajuste de detención de las palancas de control de la transmisión (a) en la dirección necesaria  $\frac{1}{4}$  de giro por vez. Después de girar los pernos de ajuste de detención de las palancas de control de la transmisión (a), compruebe el ajuste manejando el tractor.
4. Continúe el ajuste hasta que las velocidades de las ruedas estén sincronizadas y el tractor circule en línea recta con las palancas de control de la transmisión completamente extendidas hacia adelante en la posición de velocidad máxima.

**Nota:** compruebe que los pernos se extiendan a través de las tuercas del bastidor para activar la función de bloqueo.

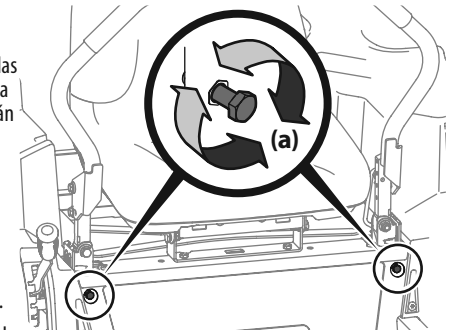


Figura 44



# SERVICIO Y MANTENIMIENTO

## Servicio

### Sistema Eléctrico

El tractor tiene instalado un fusible para proteger el sistema eléctrico de los daños causados por el exceso de amperaje. Siempre reemplace con fusibles de la misma capacidad. Si el sistema eléctrico no funciona, controle si hay un fusible quemado.

Si se repite el problema de los fusibles quemados, haga que el distribuidor de servicio autorizado de su localidad revise el sistema eléctrico del tractor.

### Relés e interruptores

Hay varios interruptores de seguridad en el sistema eléctrico. Si una función del sistema de enclavamiento de seguridad descrito antes no funciona adecuadamente, haga que el distribuidor de servicio autorizado revise el sistema eléctrico.

### Ajuste del freno de mano

Si el tractor no se detiene por completo cuando se colocan las palancas de control totalmente hacia atrás enganchando el freno de mano, o si las ruedas traseras del tractor siguen rodando con el freno de mano colocado (y la válvula de descarga hidrostática abierta) el freno necesita un ajuste. Consulte al distribuidor de servicio autorizado para realizar un ajuste del freno.

### Retiro de la Plataforma

Retire la plataforma de corte del tractor de la siguiente forma:

- Lleve el tractor a una superficie nivelada, desconecte la PTO, pare el motor y coloque las palancas de control de la transmisión del lado derecho e izquierdo completamente hacia afuera en la posición de freno de mano activado.
- Hay dos métodos para extraer la correa, para extraer la correa aflojando la tensión de la correa prosiga al paso 3, para extraer la correa haciéndola rodar fuera de la polea de la PTO, pase al paso 4.

#### ⚠ ADVERTENCIA

Tenga cuidado de no pellizcarse los dedos cuando saca la correa de la polea de la PTO.

- Alivie la tensión de la correa:

- Usando el pedal y la perilla de elevación de la plataforma, levante la plataforma a la posición que le ofrece mayor recorrido horizontal de la correa entre las poleas locas de la plataforma y la polea de la PTO en la base del motor.
- Quite el resorte intermedio del enganche de resorte metálico del lado derecho del centro de la plataforma. Consulte la Figura 45.

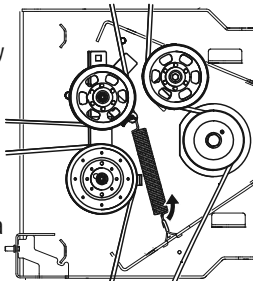


Figura 45

- Haga rodar la correa para sacarla de la polea de la PTO:

- Levante la plataforma a la posición que le ofrece mayor recorrido horizontal de la correa entre las poleas locas de la plataforma y la polea de la PTO en la base del motor.
- Sentado detrás del tractor, mirando hacia adelante, estire la mano debajo del tractor para agarrar la correa por delante de la polea de la PTO.
- Tire del lado izquierdo de la correa hacia atrás y hacia abajo mientras gira manualmente la polea de la PTO hacia la derecha hasta que la correa se deslice hacia afuera sobre el borde inferior de la polea.

**Nota:** si tira del lado derecho de la correa, gire la polea hacia la izquierda.

- Mientras sostiene la correa de la PTO (a) hacia abajo, siga girando la polea de la PTO (b) hasta que la correa de la PTO (a) se deslice fuera de la polea (b). Consulte la Figura 46. Baje la plataforma a la posición de corte más baja.

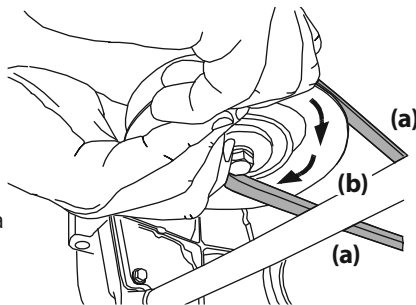


Figura 46

#### ⚠ ADVERTENCIA

La elevación de la plataforma se acciona por resorte y está bajo tensión. Pueden ocurrir lesiones si la elevación de la plataforma accionada por resorte se suelta repentinamente. Use siempre la herramienta para usos múltiples para sujetar la elevación de la plataforma en su lugar. No intente usar el pedal de elevación de la plataforma mientras la plataforma está trabada con la herramienta para usos múltiples de esta forma.

- Utilice el pedal de elevación de la plataforma y la perilla de elevación de la plataforma para colocar la plataforma en su posición más baja y utilice la herramienta para usos múltiples para trabar los componentes de elevación de la plataforma en su lugar. Junto a la rueda trasera del lado izquierdo del tractor hay un par de orificios de alineación (uno sobre el bastidor y uno sobre el brazo de elevación de la plataforma) como se muestra en la Figura 47. Verifique que la herramienta está correctamente insertada en su totalidad, trabando el brazo de elevación de la plataforma en el bastidor.

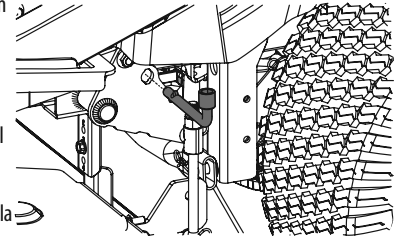


Figura 47

- Extraiga los dos pasadores con unión curva de las varillas de la plataforma que sujetan los soportes del varillaje de elevación centrales delanteros a los soportes de elevación centrales delanteros de la plataforma y tire del extremo delantero de las varillas fuera de su lugar. Consulte la Figura 48.

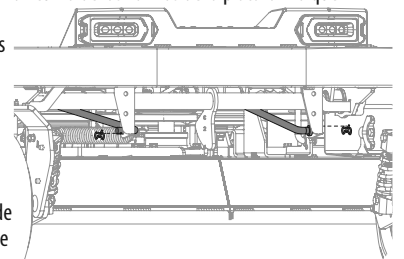


Figura 48

- Extraiga la barra estabilizadora de la plataforma que está en la parte trasera de la plataforma:

- Extraiga el pasador de chaveta con unión curva que está del lado derecho de la barra, que conecta la barra con el soporte de la plataforma. Consulte la Figura 49.
- Extraiga el pasador de chaveta con unión curva que está del lado izquierdo de la barra, que conecta la barra con el soporte del bastidor. Consulte la Figura 50.

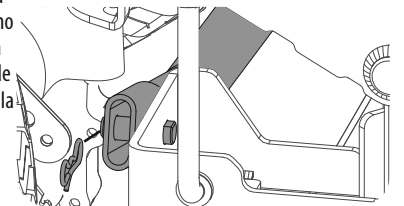


Figura 49

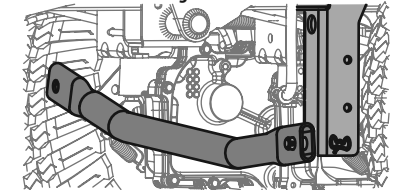


Figura 50

- Extraiga el pasador de chaveta del extremo de la horquilla inferior de cada varilla de ajuste de altura de la plataforma. Hay uno al frente y uno atrás de cada lado de la plataforma. Consulte la Figura 51. (Se muestra lado izquierdo).

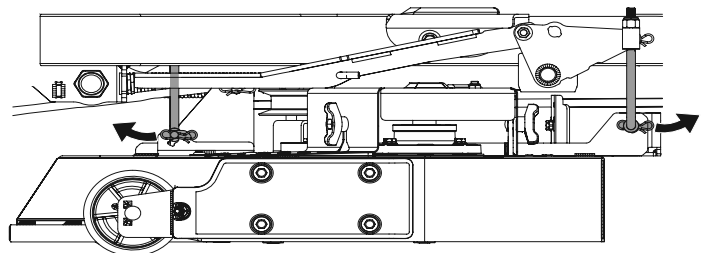


Figura 51

- Maniobre con atención la plataforma para sacarla de debajo del tractor.

# SERVICIO Y MANTENIMIENTO

## Instalación de la Plataforma

Instale la plataforma sobre el tractor de la siguiente forma:

1. Maniobre con atención la plataforma debajo del tractor desde el lado derecho, alineando las varillas de suspensión de la plataforma y las varillas de elevación de la plataforma del tractor que se quitaron en la sección anterior con las conexiones de soporte apropiadas sobre la plataforma.
2. Una vez que la plataforma esté debajo del tractor, mueva la plataforma a la posición de corte más baja.  
**Nota:** para que los soportes se alineen adecuadamente puede ser necesario colocar un bloque de madera pequeño debajo de cada lado de la plataforma.
3. Vuelva a instalar los elementos de ferretería adecuados para su tractor, en orden inverso al del proceso de extracción:
  - a. Instale los extremos de horquilla de la varilla de suspensión de las varillas de ajuste de altura de la plataforma quitados en el paso 8 de Extracción de la Plataforma y asegure con los pasadores con unión curva previamente quitados.
  - b. Vuelva a instalar la varilla estabilizadora de la plataforma, en la parte trasera de la plataforma, en el bastidor del lado izquierdo, y en la plataforma del lado derecho, con los pasadores con unión curva previamente quitados.
  - c. Vuelva a instalar las varillas de suspensión delantera en los soportes centrales delanteros de la plataforma y asegure con los pasadores con unión curva previamente quitados.
4. Verifique que la correa en "V" esté en las poleas del husillo de la plataforma.
5. Verifique que la parte posterior de la correa esté contra las poleas locas fija y movable. Vuelva a instalar o ajuste cualquier elemento de ferretería de la polea loca previamente quitado o aflojado para extraer la plataforma
6. Deslice la correa hacia atrás por debajo del bastidor del tractor, por encima de los tubos de la transmisión, hasta la polea de la PTO que está en la parte inferior del motor.
7. Levante la plataforma a la posición que le ofrece mayor recorrido horizontal de la correa entre las poleas locas de la plataforma y la polea de la PTO en la base del motor.
8. Sentado detrás del tractor, mirando hacia adelante, asegúrese de que la correa no esté retorcida; luego estire la mano debajo del tractor para agarrar la correa y tirar de la misma hacia la polea de la PTO.

### ⚠ ADVERTENCIA

Tenga cuidado de no pellizcarse los dedos cuando coloca la correa en la polea de la toma de fuerza.

9. Tire del lado derecho de la correa de la PTO hacia atrás y coloque el lado V angosto de la correa de la PTO en la polea de la PTO. Consulte la Figura 52.
10. Mientras sostiene la correa y la polea de la PTO juntas, gire la polea de la PTO hacia la izquierda (Consulte la Figura 46). Siga sosteniendo y rotando la polea de la PTO y la correa de la PTO hasta que la correa de la PTO se enrolle totalmente en la polea de la PTO.  
**Nota:** Antes de usar el tractor, compruebe la instalación de la correa para estar seguro de que la misma se ha colocado correctamente.
11. Controle el nivel y la inclinación de la plataforma. Ajuste de ser necesario.

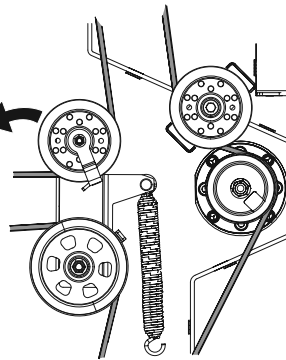


Figura 52

## Instalación de la Correa

1. Extraiga la plataforma de la parte inferior del tractor, (consulte la sección Extracción de la Plataforma).
2. Retire los tornillos mariposa hexagonales que sujetan las cubiertas de las correas a la plataforma. Consulte la Figura 53.

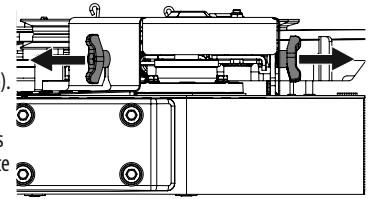


Figura 53

3. Extraiga las cubiertas de la correa de la plataforma. Consulte la Figura 54.

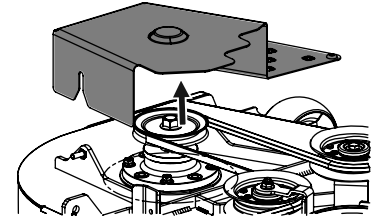


Figura 54

4. Extraiga las dos poleas locas quitando las tuercas de seguridad con reborde que están arriba de los conjuntos, y luego quitando los conjuntos del brazo secundario libre. Consulte la Figura 55.

**Nota:** Tome nota de la posición de todos los elementos de ferretería, incluso la de las protecciones de correa para volverlos a instalar más tarde.

5. Retire la correa de las poleas del husillo.
6. Instale la nueva correa alrededor de las poleas del husillo tal como se muestra y vuelva a instalar las cubiertas de la correa que se quitaron en el Paso 1 de esta sección.
7. Coloque la correa alrededor de las poleas locas que extrajo en el paso 4 con el lado en "V" orientado hacia adentro, sin dejar ondas o torceduras en la correa. Una vez colocada, vuelva a instalar de manera floja los elementos de ferretería del brazo secundario libre.
8. Coloque la correa como se muestra en la Figura 56. Ajuste y asegure los elementos de ferretería del brazo secundario libre.

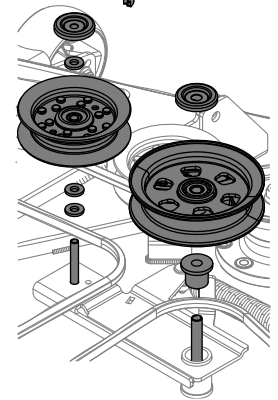


Figura 55

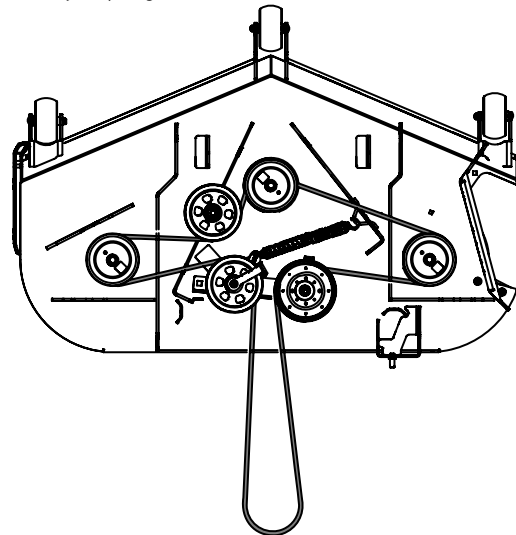


Figura 56

# SERVICIO Y MANTENIMIENTO

## Cuidado de las Cuchillas del Tractor

### ⚠ ADVERTENCIA

Antes de realizar tareas de mantenimiento, desactive la PTO y mueva las palancas de control de la transmisión completamente hacia fuera hasta la posición de freno de mano activado. Si deja el tractor sin vigilancia, gire la llave de contacto hasta la posición STOP (detención) y retírela. Proteja sus manos utilizando guantes reforzados cuando manipule las cuchillas. Cuando realice el mantenimiento de la plataforma de corte del tractor, tenga cuidado para no cortarse con las cuchillas filosas.

Las cuchillas de corte deben estar siempre afiladas. Afile los bordes de corte de las cuchillas de forma pareja de modo que las cuchillas queden balanceadas y se mantenga el mismo ángulo de filo.

Si el borde de corte de una cuchilla ya se ha afilado muchas veces, o si hay alguna separación en el metal, se recomienda instalar cuchillas nuevas. El distribuidor autorizado le puede proveer cuchillas nuevas. Las cuchillas se pueden sacar de la siguiente manera.

1. Extraiga la plataforma de la parte inferior del tractor, (consulte la sección Extracción de la plataforma); luego voltee con delicadeza la plataforma para dejar al descubierto su parte inferior.

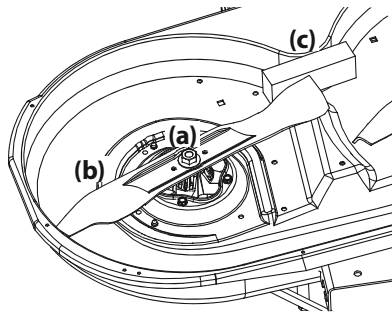


Figura 57

2. Use una llave de  $\frac{15}{16}$ " para sostener la tuerca hexagonal en la parte superior del conjunto del husillo cuando afloje la tuerca hexagonal (a) que fija la cuchilla (b). Se puede colocar un bloque de madera (c) entre el alojamiento de la plataforma y el borde de corte de la cuchilla (b) para ayudar a aflojar la tuerca hexagonal (a) que fija la cuchilla. Consulte la Figura 57.
3. Cuando reinstale las cuchillas, asegúrese de que se instalen de modo que las aletas se orienten hacia arriba hacia la parte superior de la plataforma.
4. Ajuste las tuercas hexagonales (a) a 70-90 pies-libras. (95-122 N-m)
5. Reinstale la plataforma (consulte Instalación de la plataforma).

### Cambio de la Correa de Transmisión

Para cambiar la correa de transmisión del tractor, se deben retirar varios componentes y se requieren herramientas especiales. Solicite a un distribuidor de servicio autorizado que realice el reemplazo de la correa de transmisión.

### Desplazamiento Lento del Tractor

Desplazamiento lento es el movimiento del tractor hacia adelante o hacia atrás cuando el acelerador está activado y las palancas de control de transmisión están en posición neutra. Si tractor se desplaza lentamente, consulte a un distribuidor de servicio autorizado.

# SOLUCIÓN DE PROBLEMAS

## ADVERTENCIA

Antes de realizar cualquier tipo de mantenimiento o servicio, desactive todos los controles y detenga el motor. Espere a que se detengan completamente todas las piezas móviles. Desconecte el cable de la bujía de encendido y póngalo haciendo masa contra el motor para evitar que se encienda accidentalmente. Utilice siempre anteojos de seguridad durante el funcionamiento o mientras ajusta o repara este equipo.

En esta sección se analizan problemas menores de servicio. Para localizar el centro de servicio autorizado más cercano consulte la hoja complementaria que se entrega por separado donde consta la información de contacto.

Problema	Causa	Solución
El motor no arranca	<ol style="list-style-type: none"> <li>1. Perilla de PTO/activación de cuchilla activada.</li> <li>2. No está puesto el freno de mano.</li> <li>3. Se ha desconectado el cable de bujía.</li> <li>4. La palanca de control del acelerador no está en la posición de arranque correcta.</li> <li>5. El depósito de combustible está vacío o el combustible se ha echado a perder.</li> <li>6. El circuito del combustible o el filtro de combustible están obstruidos.</li> <li>7. La bujía no funciona correctamente.</li> <li>8. Motor ahogado.</li> <li>9. Fusible(s) quemado(s).</li> </ol>	<ol style="list-style-type: none"> <li>1. Coloque la perilla en la posición de desconexión (OFF).</li> <li>2. Coloque el freno de mano.</li> <li>3. Conecte el cable a la bujía de encendido.</li> <li>4. Mueva la palanca del acelerador a la posición FAST (rápido).</li> <li>5. Llene el depósito con gasolina limpia y nueva (de menos de 30 días de antigüedad).</li> <li>6. Reemplace el circuito de combustible. Comuníquese con Sears u otro distribuidor de servicio calificado. Reemplace el filtro de combustible.</li> <li>7. Limpie, ajuste la separación, o cambie la bujía.</li> <li>8. Arranque el motor con el acelerador en la posición FAST (rápido).</li> <li>9. Reemplace el fusible.</li> </ol>
El motor funciona de manera errática	<ol style="list-style-type: none"> <li>1. El tractor cortacésped está funcionando con el Cebador activado.</li> <li>2. El cable de la bujía está flojo.</li> <li>3. El circuito del combustible está obstruido o el combustible se ha echado a perder.</li> <li>4. La ventilación en la tapa del combustible está obstruida.</li> <li>5. Hay agua o suciedad en el sistema de combustible.</li> <li>6. El depurador de aire está sucio.</li> </ol>	<ol style="list-style-type: none"> <li>1. Compruebe que el cebador eléctrico funcione. Comuníquese con Sears u otro distribuidor de servicio calificado.</li> <li>2. Conecte y ajuste el cable de la bujía.</li> <li>3. Reemplace el circuito de combustible. Comuníquese con Sears u otro distribuidor de servicio calificado. Llene el tanque con gasolina limpia y nueva y reemplace el filtro de combustible.</li> <li>4. Destape la ventilación o reemplace la tapa si está dañada.</li> <li>5. Vacíe el depósito de combustible. Recargue el depósito con gasolina limpia y nueva.</li> <li>6. Limpie o reemplace el elemento de papel del depurador de aire o limpie el prefiltro de espuma.</li> </ol>
El motor recalienta	<ol style="list-style-type: none"> <li>1. El nivel de aceite del motor está bajo.</li> <li>2. Restricción en el flujo de aire</li> </ol>	<ol style="list-style-type: none"> <li>1. Llene el motor con cantidad y tipo de aceite adecuados.</li> <li>2. Elimine los recortes de césped y los desechos de alrededor de las aletas de enfriamiento del motor y de la carcasa del soplador.</li> </ol>
El motor vacila a altas revoluciones	<ol style="list-style-type: none"> <li>1. Poca separación de los electrodos de la bujía</li> </ol>	<ol style="list-style-type: none"> <li>1. Extraiga la bujía y regule la separación.</li> </ol>
El motor funciona mal en marcha lenta	<ol style="list-style-type: none"> <li>1. Bujía atorada</li> <li>2. El depurador de aire está sucio</li> </ol>	<ol style="list-style-type: none"> <li>1. Reemplace la bujía y regule la separación.</li> <li>2. Limpie o reemplace el elemento del depurador de aire y/o limpie el prefiltro.</li> </ol>
Excesiva vibración	<ol style="list-style-type: none"> <li>1. Cuchillas de corte flojas o descentradas</li> <li>2. Cuchilla de corte dañada, desafilada o doblada</li> </ol>	<ol style="list-style-type: none"> <li>1. Apriete la cuchilla y el husillo. Centre la cuchilla.</li> <li>2. Reemplace la cuchilla.</li> </ol>
Corte irregular	<ol style="list-style-type: none"> <li>1. La plataforma no está correctamente nivelada.</li> <li>2. Cuchilla desafilada.</li> <li>3. Presión de neumáticos desigual.</li> </ol>	<ol style="list-style-type: none"> <li>1. Haga un ajuste de la plataforma de lado a lado.</li> <li>2. Afíle o cambie la cuchilla.</li> <li>3. Verifique la presión de los cuatro neumáticos.</li> </ol>

# MANUEL DE L'UTILISATEUR

## Tracteur à rayon de braquage zéro avec barres de conduite

### Identification du produit

Avant de préparer et d'utiliser votre nouvel appareil, veuillez à copier ci-contre les numéros de modèle et de série qui se trouvent sous le support du siège. Il est important de conserver ces références car elles vous seront demandées si vous communiquez avec nous sur notre site web, par téléphone ou chez un concessionnaire.

### NUMÉRO DE MODÈLE

--	--	--	--	--	--	--	--	--	--	--	--

### NUMÉRO DE SÉRIE

--	--	--	--	--	--	--	--	--	--	--	--

### Table des matières

<i>Consignes de sécurité importantes</i> .....	2	<i>Entretien et réglages</i> .....	18
<i>Assemblage</i> .....	8	<i>Dépannage</i> .....	26
<i>Utilisation</i> .....	12	<i>Pièces et garantie</i> .....	Voir document annexe

#### ▲ AVERTISSEMENT

Lisez attentivement les consignes de sécurité et les instructions de montage et de fonctionnement avant d'utiliser cet appareil afin d'écartier tout risque d'accident et de blessure.

#### ▲ AVERTISSEMENT

##### Proposition 65 de la Californie

Les gaz d'échappement du moteur ainsi que certains éléments de l'appareil contiennent des substances considérées par l'État de Californie comme étant cancérigènes et pouvant provoquer des anomalies congénitales ainsi que d'autres effets nuisibles à la reproduction.

Les bornes et les cosses de batterie ainsi que les accessoires connexes contiennent du plomb et des composés de plomb, soit des produits chimiques reconnus par l'État de Californie comme cancérigènes et pouvant provoquer des effets nuisibles à la reproduction. Lavez-vous les mains après toute manipulation.

**NOTE :** Ce manuel est commun à plusieurs modèles dont les caractéristiques peuvent différer du vôtre, de même que le modèle illustré.

# CONSIGNES DE SÉCURITÉ

## ▲ AVERTISSEMENT

▲ Les consignes importantes sont précédées de ce symbole. Si vous ne respectez pas ces consignes, vous pourriez vous blesser grièvement ou causer des dommages. Veuillez lire et respecter toutes les consignes de ce manuel avant d'utiliser cet appareil afin d'écartier tout risque d'accident et de blessure. Lorsque vous voyez ce symbole, **RESPECTEZ LA CONSIGNE !**

## ▲ DANGER

Cet appareil doit être utilisé conformément aux consignes de ce manuel. Comme pour tout type d'équipement motorisé, la négligence ou une erreur de la part de l'utilisateur peut entraîner un accident. De plus, les lames sont dangereuses. Elles peuvent projeter des objets avec force ou infliger des blessures graves (pouvant mener à une amputation des doigts, des mains ou des pieds). Il est donc impératif de respecter scrupuleusement les consignes de sécurité énoncées.

### Informations générales

1. Veuillez lire attentivement toutes les instructions inscrites sur l'appareil et dans le manuel avant de l'assembler et de l'utiliser. Conservez le manuel pour pouvoir le relire ou commander des pièces de rechange.
2. Familiarisez-vous avec les commandes et le fonctionnement de votre appareil avant de vous en servir. Vous devez surtout savoir comment l'arrêter et débrayer les commandes rapidement.
3. L'âge minimum pour pouvoir utiliser cet appareil est de 14 ans. Si vous souhaitez permettre à vos enfants de plus de 14 ans de tondre la pelouse, lisez d'abord les consignes de sécurité et d'utilisation avec eux, montrez-leur comment faire et exigez qu'un adulte soit présent en tout temps.
4. Ne confiez votre appareil qu'à des adultes responsables, qui savent s'en servir.
5. Soyez prudent et faites preuve de bon sens en tout temps : ce manuel ne peut couvrir toutes les situations susceptibles de survenir lorsque vous utilisez votre tondeuse. Si vous avez besoin d'aide, communiquez avec notre service à la clientèle.
6. La durée de vie moyenne de votre tondeuse est de sept (7) ans d'après la Commission américaine pour la sécurité des produits de consommation (U.S. Consumer Products Safety Commission) et l'Agence américaine de protection de l'environnement (U.S. Environmental Protection Agency). À ce terme, faites impérativement vérifier les mécanismes et dispositifs de sécurité tous les ans par un centre de service agréé. Vous risquez un accident grave voire mortel si vous ne le faites pas.

### Avant d'utiliser la tondeuse

1. Examinez soigneusement la pelouse avant de tondre. Ramassez les pierres, brindilles, fils, os, jouets et autres objets qui pourraient être projetés ou sur lesquels vous pourriez trébucher. Les objets projetés peuvent causer de graves blessures.
2. Ne laissez personne s'approcher à moins de 23 mètres (75 pieds) lorsque vous tondez, à cause des risques liés aux projections ou à une collision. Personne ne doit s'approcher de la zone de travail. Coupez le moteur dès que quelqu'un s'approche.
3. Ne dirigez jamais le côté où sont éjectés les débris d'herbe vers d'autres personnes.
4. Portez toujours des lunettes de sécurité pour tondre ou pour effectuer un réglage ou une réparation. Vos yeux sont particulièrement vulnérables aux projections.
5. Portez des chaussures fermées et à semelle épaisse et des vêtements couvrants et bien ajustés, et évitez les bijoux. Ne tondez jamais pieds nus ou en sandales.
6. Ne remplissez pas le réservoir à ras bord : l'essence se dilate en chauffant, alors laissez un espace d'environ un demi-pouce sous le col de remplissage.

7. Veillez à remettre correctement le bouchon du réservoir lorsque vous avez terminé.
8. N'utilisez que des pièces d'origine et des accessoires homologués. Si vous ajoutez un accessoire, lisez bien son manuel d'utilisation.

### Système de protection du conducteur

1. Cette tondeuse est équipée d'un système de protection du conducteur (OPS), qui comprend:
  - a. Une structure de protection anti-retournement (ROPS) fixe ou repliable.
  - b. Une ceinture de sécurité à enrouleur.
2. La structure de protection anti-retournement offre, en cas de renversement ou de basculement, une protection accrue au conducteur lorsqu'il porte sa ceinture de sécurité correctement et lorsqu'il est assis sur le siège de l'appareil. Cette structure de protection doit être utilisée dans sa position redressée et verrouillée en tout temps sauf lorsqu'elle doit être temporairement repliée pour ne pas heurter des objets comme les branches d'arbres, les cordes à linge, les fils de retenue en acier, les poteaux électriques, les édifices, etc.
3. L'utilisateur doit attacher la ceinture de sécurité correctement autour de sa taille et la porter en tout temps, sauf si la structure de protection anti-retournement est:
  - a. Incorrectement installée ou mal attachée à l'appareil.
  - b. Endommagée au point de compromettre sa qualité structurelle.
  - c. Dans une position autre que redressée et verrouillée.
4. La ceinture de sécurité du siège à suspension est fixée à la partie mobile du siège; le support du siège doit donc être bien retenu à son point de pivotement et celui-ci doit être fixé au châssis de l'appareil. Sur le siège standard (sans suspension), la ceinture de sécurité est fixée au siège ou au châssis de l'appareil. Cependant, si un kit de suspension est installé sur le siège, la ceinture de sécurité doit être attachée à la partie mobile du siège ou au mécanisme de suspension, le support du siège doit être bien retenu à son point de pivotement et celui-ci doit être fixé au châssis de l'appareil.

## ▲ DANGER

La ceinture de sécurité ne doit pas être portée si la structure de protection anti-retournement est repliée ou enlevée. Il faut remplacer la ceinture de sécurité usée ou endommagée et la structure de protection anti-retournement endommagée avant d'utiliser la tondeuse.

## CONSIGNES DE SÉCURITÉ

- La structure de protection anti-retournement, en forme d'arceau, se trouve derrière le siège du conducteur. Le contact de la structure de protection avec les objets comme les arbres, les édifices, les portails, les cordes à linge, les fils électriques, etc. peut faire basculer ou renverser l'appareil. Soyez prudent et évitez les zones où la structure de protection anti-retournement pourrait heurter un objet (arbres, etc.).
- Le grillage de protection et le toit amovible peuvent faire dévier les branches d'arbres, les cordes à linge et tout autre obstacle qui autrement pourraient entrer en contact avec la structure de protection anti-retournement. Si la structure de protection anti-retournement ou du toit amovible entre en contact avec des objets tels que des branches d'arbres, des cordes à linge, des fils de retenue en acier, des poteaux électriques et des édifices, ce contact pourrait causer le basculement ou le renversement de l'appareil. Un toit amovible offre une protection contre le soleil et la pluie.
- La structure de protection anti-retournement et la ceinture de sécurité font partie intégrante de cet appareil et ne doivent donc pas être retirées ou modifiées en aucune façon.
- Vérifiez le fonctionnement de la structure de protection anti-retournement et la ceinture de sécurité selon le calendrier d'entretien dans la section Entretien de ce manuel. Remplacez tout composant endommagé ou défectueux par des pièces de rechange approuvées.
- Une mauvaise utilisation de la ceinture de sécurité peut entraîner de graves blessures, voire la mort, dans le cas d'un renversement accidentel. La structure de protection, dans sa position redressée et verrouillée, n'est efficace que si la ceinture de sécurité est attachée. Dans le cas d'un renversement, le conducteur peut être heurté par la structure de protection et être sérieusement blessé.
- La structure de protection anti-retournement n'est pas conçue pour empêcher la tondeuse de basculer ou de se renverser.
- Il ne faut pas présumer que la structure de protection anti-retournement protégera l'utilisateur dans le cas d'un renversement, car des blessures peuvent survenir.
- Ne laissez jamais votre appareil en marche sans surveillance. Avant de descendre de l'appareil, débrayez les lames, poussez les barres de conduite à fond vers l'extérieur pour engager le frein de stationnement, coupez le moteur et retirez la clé de contact.
- Débrayez les lames, poussez les barres de conduite à fond vers l'extérieur à la position neutre pour engager le frein de stationnement, arrêtez le moteur et attendez l'arrêt complet de la lame avant de retirer le bac récupérateur, de déboucher la goulotte ou d'effectuer un réglage ou une réparation.
- Cet appareil est conçu pour une utilisation non-professionnelle. Il peut tondre un gazon de 25 centimètres (10 pouces) de haut au maximum. Il n'est pas fait pour tondre les hautes herbes (par ex. dans un pré) ou pour déchiqueter des tas de feuilles mortes. Si des débris végétaux secs s'accumulent sous le plateau de coupe et atteignent le tuyau d'échappement, ils risquent de prendre feu.
- Reculez lentement. Regardez toujours derrière vous et par terre avant et pendant la marche arrière pour ne pas renverser quelqu'un.
- Ne laissez pas d'autres personnes monter sur l'appareil lorsque le moteur est en marche.
- Ne vous approchez pas à moins de 3 mètres (10 pieds) des rebords surélevés, des fossés, des remblais ou des rives. Vous risquez d'y tomber si une roue se retrouve dans le vide ou si le sol s'effondre sous le poids de l'appareil.
- Le risque de projection et de blessures est décuplé s'il n'y a pas de déflecteur d'éjection.
- N'utilisez pas cet appareil sans son déflecteur d'éjection ou sans un sac à herbe.
- Attention : les bacs récupérateurs et autres accessoires affectent l'équilibre de l'appareil. Suivez les instructions du fabricant.
- Débrayez les lames dès que vous cessez de tondre et avant de vous engager sur le trottoir, sur la route ou sur du gravier.
- Si vous devez circuler sur un bas-côté ou traverser la route, faites attention à la circulation. Ne circulez pas sur la voie publique.
- Tondez en plein jour ou avec un éclairage artificiel adéquat.
- N'utilisez pas cet appareil lorsque vous êtes sous l'empire de la boisson ou d'un médicament.
- Ralentissez avant d'entamer un virage. N'effectuez pas de gestes brusques, évitez les manœuvres abruptes et n'allez pas trop vite.
- Ne touchez pas le silencieux et le moteur, car ils deviennent chauds et pourraient vous brûler. Laissez le moteur refroidir pendant cinq minutes avant d'effectuer un réglage ou une réparation.
- Ne laissez jamais le moteur tourner dans un lieu fermé ou mal aéré en raison de la présence de monoxyde de carbone, un gaz inodore très dangereux, dans les gaz d'échappement.

### Utilisation

- Statistiquement, les utilisateurs de tracteurs de 65 ans ou plus sont plus susceptibles d'avoir un accident avec leur appareil. Nous vous recommandons de bien évaluer votre aptitude à utiliser cet appareil sans vous mettre en danger ni risquer de blesser d'autres personnes.
- Avant de démarrer le moteur, débrayez les lames et poussez les barres de conduite à fond vers l'extérieur pour engager le frein de stationnement.
- N'approchez pas les pieds ou les mains ni des lames, ni du dessous du plateau de coupe : vous pourriez vous blesser grièvement, au point de devoir subir une amputation.
- Faites attention aux trous, ornières, bosses, roches et autres objets. Prenez garde car votre appareil pourrait se renverser en passant dessus. L'herbe haute peut camoufler des obstacles.
- Calculez votre trajectoire de façon à éviter de projeter les brins coupés vers la rue, le trottoir, les passants, etc. Attention, les débris peuvent rebondir sur les murs ou autres obstacles et vous atteindre.
- Calculez bien la hauteur libre avant de vous engager sous des branches basses, des fils électriques ou dans tout autre passage réduit car vous pourriez vous cogner ou tomber du siège et vous blesser grièvement.

### Précautions relatives aux enfants

- Redoublez de vigilance si vous avez des enfants. Ces derniers aiment bouger, peuvent se déplacer à tout moment à votre insu et sont souvent attirés par les appareils de jardin sans se rendre compte du danger, ce qui peut provoquer de très graves accidents.
- Les proches, enfants ou animaux de compagnie doivent être sous la surveillance d'un adulte autre que l'utilisateur de l'appareil et ne doivent pas s'approcher de la zone de travail. Coupez le moteur dès que quelqu'un s'approche.

## CONSIGNES DE SÉCURITÉ

3. Ne laissez pas les enfants monter sur la tondeuse lorsque le moteur est en marche, même si les lames sont débrayées, car ils pourraient vous gêner, vous déconcentrer ou encore tomber et se blesser grièvement. Des enfants qui ont déjà monté sur l'appareil peuvent s'approcher pour un autre tour et peuvent être écrasés par l'appareil.
4. Restez vigilant et arrêtez l'appareil dès qu'ils s'approchent.
5. Avant de reculer, retournez-vous pour vérifier soigneusement qu'il n'y a personne derrière l'appareil.
6. Soyez particulièrement vigilant à l'abord de virages masqués, portails, buissons, arbres, etc. desquels les enfants peuvent surgir d'un coup.
7. L'âge minimum pour pouvoir utiliser cet appareil est de 14 ans. Si vous souhaitez permettre à vos enfants de plus de 14 ans de tondre la pelouse, lisez d'abord les consignes de sécurité et d'utilisation avec eux, montrez-leur comment faire et exigez qu'un adulte soit présent en tout temps.
8. Sécurisez l'appareil pour qu'aucun enfant ne l'utilise sans autorisation. Cet appareil n'est pas un jouet. Informez vos enfants qu'il est dangereux d'utiliser l'appareil et qu'il ne faut pas s'en approcher.
9. Ne laissez pas vos enfants s'approcher du moteur en marche ou encore chaud ou encore du silencieux car ils risquent de se brûler.
10. Ne laissez jamais la clé de contact sur la tondeuse afin que vos enfants ne puissent pas démarrer le moteur. Assurez-vous qu'elle est hors de la portée des enfants.

### Consignes relatives aux pentes

1. Dans les pentes, les accidents sont plus fréquents et souvent plus graves (voire mortels) car vous avez plus de risque de perdre le contrôle de votre équipement et de vous renverser. Vous devez donc redoubler de vigilance même dans les pentes douces et n'y allez pas du tout si vous ne vous sentez pas en confiance ou s'il est impossible de la remonter à reculons.
2. Par mesure de sécurité, mesurez toute pente à tondre avec l'inclinomètre de ce manuel avant de vous y engager avec la tondeuse. Utilisez aussi un dispositif de mesure pour déterminer la pente à tondre avant d'utiliser l'appareil. Vous pouvez aussi utiliser les applications pour téléphone pour mesurer les pentes. Évitez impérativement les pentes dont l'inclinaison est supérieure à 15° car les risques d'accident grave y sont très élevés.
3. Ne tondez pas sur des pentes avec une inclinaison supérieure à 15° degrés (25 %).
4. Ne tondez pas perpendiculairement à la pente. Tondez dans le sens de la pente, mais jamais dans une pente de plus de 15° (25 %). Tondez lentement et ne tournez pas brusquement.
5. Ne tondez pas si la pelouse est mouillée car elle devient très glissante.
6. N'utilisez pas l'appareil si sa traction, sa stabilité ou sa conduite sont remises en question. Ses roues peuvent glisser même lorsque l'appareil est à l'arrêt.
7. Évitez d'avoir à démarrer ou à vous arrêter au beau milieu d'une pente. Ne changez pas de vitesse ou de direction brusquement, tournez lentement et prudemment.
8. Attention : les bacs récupérateurs et autres accessoires affectent l'équilibre de l'appareil. N'utilisez pas de bac récupérateur sur une pente supérieure à 10° (17 %).
9. N'essayez jamais de stabiliser l'appareil en posant le pied à terre.

10. N'allez pas trop vite et prenez votre temps. Ne changez pas de vitesse ou de direction brusquement. Une accélération ou un freinage brusques peut faire lever l'avant de l'appareil et faire basculer ce dernier vers l'arrière, ce qui est extrêmement dangereux pour vous.

### Essence

1. Faites très attention lorsque vous manipulez de l'essence. Ce liquide est très inflammable et dégage des vapeurs explosives. Une simple éclaboussure sur la peau ou les vêtements peut s'enflammer et causer de graves brûlures. Nettoyez au plus vite toute éclaboussure sur la peau et changez de vêtements.
2. Éteignez cigares, cigarettes, pipes et tout autre objet susceptible de s'enflammer.
3. N'utilisez que des bidons d'essence homologués.
4. N'ouvrez pas le réservoir si le moteur est allumé ou encore chaud. Laissez le moteur refroidir pendant au moins cinq minutes avant de faire le plein.
5. Ne faites jamais le plein dans un lieu fermé.
6. N'entreposez jamais l'appareil ou les bidons d'essence à proximité d'une flamme nue, d'étincelles ou d'une veilleuse (chauffe-eau, radiateur, sècheuse, appareils fonctionnant au gaz).
7. En cas de débordement, essuyez l'essence sur le moteur et sur l'appareil et éliminez les débris souillés. Puis changez ce dernier de place et attendez cinq minutes avant de redémarrer le moteur.
8. Pour limiter les risques d'incendie, retirez les brins d'herbe, feuilles et autres débris accumulés sur le moteur. Suivez les instructions de la section Entretien de la tondeuse après son utilisation dans le chapitre Entretien et réglages du manuel.
9. Cet appareil est conçu pour une utilisation non-professionnelle. Il peut tondre un gazon de 25 centimètres (10 pouces) de haut au maximum. Il n'est pas fait pour tondre les hautes herbes (par ex. dans un pré) ou pour déchiqueter des tas de feuilles mortes. Si des débris végétaux secs s'accumulent sous le plateau de coupe et atteignent le tuyau d'échappement, ils risquent de prendre feu.
10. Ne remplissez pas le réservoir à ras bord : l'essence se dilate en chauffant, alors laissez un espace d'environ un demi-pouce sous le col de remplissage.
11. Veillez à remettre correctement le bouchon du réservoir lorsque vous avez terminé. N'utilisez pas la tondeuse sans bouchon de réservoir d'essence.
12. Laissez refroidir l'appareil pendant au moins cinq minutes avant de le ranger ou de faire le plein.
13. Ne remplissez jamais les bidons à l'intérieur d'un véhicule ou encore à l'arrière d'un camion ou d'une remorque à plancher de plastique. Placez toujours les bidons par terre et loin de votre véhicule pour les remplir.
14. Déchargez l'appareil et faites le plein par terre dans la mesure du possible. Si cela n'est pas possible, faites le plein avec un bidon plutôt que directement du pistolet distributeur.
15. Posez le pistolet du distributeur sur le rebord du réservoir ou du bidon pour faire le plein et ne le bloquez pas en position ouverte.

### Remorquage

1. Les rampes doivent être bien attachées à la remorque lorsque vous chargez ou déchargez la tondeuse.
2. Soyez très prudent lorsque vous chargez ou déchargez l'appareil d'une remorque ou d'un camion. N'allumez pas le moteur pour charger ou décharger plus facilement. Vous risquez de renverser la tondeuse en chutant de la rampe et de vous blesser grièvement. Chargez ou déchargez votre tondeuse moteur éteint.
3. Réglez le plateau de coupe à la position la plus haute.



# CONSIGNES DE SÉCURITÉ

## Remorquage avec la tondeuse à rayon de braquage

1. Ne remorquez pas de charges supérieures à 113 kilogrammes (250 livres). Le poids exercé sur l'attache de remorque ne doit pas dépasser 22 kilogrammes (50 livres).
2. N'attachez la remorque qu'au point d'attache prévu à cet effet.
3. Ne laissez personne monter sur l'équipement remorqué, en particulier des enfants.
4. Ne vous engagez pas sur les pentes supérieures à 5° (9 %). Lorsque vous remorquez un équipement sur une pente, la traction des pneus peut être réduite et il est plus facile de perdre le contrôle de la tondeuse.
5. Faites attention, car votre tondeuse à rayon de braquage zéro peut effectuer des virages très serrés. Si vous remorquez un accessoire, vous risquez une mise en portefeuille. Prenez des tournants larges !
6. N'allez pas trop vite et n'attendez pas le dernier moment pour freiner ou vous arrêter.

## Entretien

1. Gardez la tondeuse en bon état de fonctionnement. Vous devez remplacer les pièces usées ou endommagées avant de vous servir de l'appareil.
2. Un accident grave ou fatal peut résulter d'une modification du moteur, quelle qu'elle soit. Toute modification apportée au régulateur de vitesse peut provoquer l'emballement du moteur et accélérer dangereusement sa vitesse en état de marche. Ne modifiez jamais cet élément et ne faites pas tourner le moteur à une vitesse excessive. Le régulateur maintient le moteur au meilleur régime.
3. Les lames sont très tranchantes et doivent être manipulées prudemment. Enveloppez-les dans un chiffon ou portez des gants.
4. Le liquide des pompes hydrauliques et des systèmes d'alimentation par injection des tracteurs est sous pression. Le liquide hydraulique qui s'échappe sous haute pression peut pénétrer dans la peau et entraîner de graves blessures. Si un tel liquide entre en contact avec votre peau, obtenez immédiatement des soins médicaux. Tenez les mains et toute autre partie du corps éloignées des trous et des buses; le liquide hydraulique peut s'échapper. S'il y a une fuite, faites inspecter l'appareil dans un centre de service agréé.
5. Avant de nettoyer, de réparer ou d'examiner votre tondeuse, vérifiez que les lames et autres pièces mobiles sont à l'arrêt, Arrêtez le moteur, retirez la clé de contact, débranchez le fil de bougie et mettez-le à la masse contre le moteur pour empêcher un démarrage accidentel.
6. Vérifiez régulièrement que les lames sont immobilisées dans les cinq (5) secondes qui suivent le débrayage des lames. Consultez le calendrier d'entretien dans la section Entretien de ce manuel. Vérifiez avec un chronomètre. Si ce n'est pas le cas, confiez votre tondeuse à un concessionnaire agréé pour y remédier.
7. Surveillez également le système de verrouillage de sécurité selon le calendrier d'entretien dans la section Entretien de ce manuel. Si ce système ne fonctionne plus correctement, faites-le réparer par un centre de service agréé.
8. Ne modifiez jamais le système de verrouillage de sécurité et les autres dispositifs de sécurité et vérifiez régulièrement qu'ils fonctionnent bien.
9. Vérifiez le serrage des lames et des boulons de montage du moteur selon le calendrier d'entretien. Pensez à vérifier l'état des lames. Si elles sont émoussées, tordues ou fissurées, remplacez-les par des lames d'origine.

10. Attention, pour obtenir le meilleur de votre tondeuse et éviter les accidents dus à des pièces non conformes aux spécifications du fabricant, remplacez-les par des pièces d'origine.
11. Assurez-vous régulièrement que tous les écrous, boulons et vis sont bien serrés et en bon état. Consultez le calendrier d'entretien pour plus d'informations concernant l'entretien de l'appareil.
12. Si vous heurtez un objet, arrêtez immédiatement le moteur, débranchez le fil de bougie et mettez-le à la masse contre le moteur. Vérifiez l'état de la tondeuse et ne la redémarrez pas si elle est endommagée.
13. Arrêtez impérativement le moteur avant d'effectuer un réglage ou une réparation.
14. Quand le sac récupérateur ou le couvercle d'éjection sont usés ou cassés, les lames peuvent se trouver exposées, ce qui est dangereux et augmente le risque de blessures à cause de projections. Par mesure de sécurité, vérifiez souvent ces éléments. Si nécessaire, utilisez des pièces d'origine pour les remplacer.
15. Les avertissements figurant sur vos équipements doivent toujours être lisibles. Remplacez-les si ce n'est plus le cas.
16. Respectez la législation sur l'élimination des déchets liquides (essence, huile, etc.) afin de préserver l'environnement.

## Avis concernant les émissions

Les moteurs certifiés conformes aux normes d'émission de la Californie et de l'Agence américaine de protection de l'environnement (EPA) pour équipements hors route (Small Off Road Equipment) sont conçus pour fonctionner à l'essence ordinaire sans plomb et peuvent être dotés des dispositifs antipollution suivants : modification du moteur (EM) et convertisseur catalytique à trois voies (TWC).

Certains modèles sont équipés de conduites et réservoirs à perméation faible pour limiter les émissions par évaporation. En Californie, certains modèles sont équipés d'un réservoir à charbon actif. Si vous désirez savoir de quels dispositifs votre modèle est équipé, contactez notre service de soutien technique.

## Pare-étincelles

### ▲ AVERTISSEMENT

Cet appareil est équipé d'un moteur à combustion interne. Le pot d'échappement doit obligatoirement être équipé d'un pare-étincelles conforme à la législation provinciale et locale (le cas échéant) pour pouvoir être utilisé sur un terrain boisé non entretenu, broussailleux ou herbeux ou en bordure d'un tel terrain.

L'utilisateur doit maintenir le bon fonctionnement du pare-étincelles, le cas échéant. Dans l'état de la Californie, la loi (article 4442, « California Public Resource Code ») exige l'utilisation d'un pare-étincelles. Il est possible que d'autres États aient des lois similaires. Les lois fédérales sont en vigueur sur les terres fédérales.

Vous pouvez vous procurer un pare-étincelles pour le silencieux auprès d'un centre de service agréé ou en contactant le service à la clientèle (MTD Products Limited, C. P. 1386 Kitchener, Ontario N2G 4J1).

# CONSIGNES DE SÉCURITÉ

## Signification des symboles

Vous trouverez ci-dessous les symboles de sécurité qui peuvent se trouver sur votre appareil.

Symbole	Description
 <p><b>OPESymbol.com</b></p>	<p><b>AVERTISSEMENT – LISEZ LE MANUEL DE L'UTILISATEUR</b>            Veuillez lire toutes les consignes de sécurité et toutes les instructions de ce manuel avant d'utiliser l'appareil afin d'écartier tout risque d'accident et de blessure. Conservez ce manuel en lieu sûr pour pouvoir le consulter ultérieurement et pour pouvoir commander des pièces de rechange. Balayez le code QR avec un téléphone pour avoir plus d'informations sur les avertissements. Le site <a href="http://www.OPESymbol.com">www.OPESymbol.com</a> offre aussi des renseignements à ce sujet.</p>
	<p><b>AVERTISSEMENT – RISQUE D'OBJETS PROJÉTÉS</b>            Ne permettez à personne de s'approcher à moins de 23 mètres (75 pieds) de l'appareil en marche. Ramassez les pierres, brindilles, fils, os, jouets et autres objets qui pourraient être projetés ou sur lesquels vous pourriez trébucher. Il est dangereux d'utiliser cette tondeuse sans son déflecteur d'éjection, ou avec un déflecteur endommagé.</p>
	<p><b>AVERTISSEMENT – RISQUE D'ÉCRASEMENT OU DE LAME TRANCHANTE</b>            Avant de reculer, retournez-vous pour vérifier soigneusement qu'il n'y a personne derrière la tondeuse. Ne laissez pas les enfants monter sur la tondeuse lorsque le moteur est en marche, même si les lames sont débrayées. Les enfants doivent être sous la surveillance d'un adulte autre que l'utilisateur de l'appareil et ne doivent pas s'approcher de la zone de travail. Coupez le moteur dès que quelqu'un s'approche.</p>
	<p><b>AVERTISSEMENT – RISQUE DE RENVERSEMENT</b>            N'utilisez pas l'appareil sur une pente supérieure à 15° (25 %). Ne tondez pas perpendiculairement à la pente. Tondez dans le sens de la pente, mais jamais dans une pente de plus de 15° (25 %). Tondez lentement et ne tournez pas brusquement. Ne vous approchez pas à moins de 3 mètres (10 pieds) des rebords surélevés, des fossés, des remblais ou des rives.</p>
	<p><b>AVERTISSEMENT – RISQUE D'INCENDIE</b>            Cet appareil est conçu pour une utilisation non-professionnelle. Il peut tondre un gazon de 25 cm (10 pouces) de haut au maximum. Il n'est pas fait pour tondre les hautes herbes (par ex. dans un pré) ou pour déchiqueter des tas de feuilles mortes. Laissez l'appareil refroidir pendant au moins cinq minutes avant de faire le plein ou de le remiser.</p>
	<p><b>AVERTISSEMENT – RISQUE D'AMPUTATION</b>            N'approchez pas les pieds ou les mains ni des lames, ni du dessous du plateau de coupe : vous pourriez vous blesser grièvement, au point de devoir subir une amputation.</p>
	<p><b>AVERTISSEMENT – RISQUE D'AMPUTATION</b>            N'approchez pas les pieds ou les mains ni des lames, ni du dessous du plateau de coupe : vous pourriez vous blesser grièvement, au point de devoir subir une amputation. Gardez les dispositifs de sécurité (protections, interrupteurs, etc.) en place et en bon état de fonctionnement. Vous pourriez vous blesser avec les courroies et la fusée de la lame.</p>
	<p><b>AVERTISSEMENT – RISQUE DE BLESSURE PAR ÉCRASEMENT OU PAR PINCEMENT</b>            Veuillez lire toutes les consignes de sécurité et toutes les instructions de ce manuel avant d'utiliser l'appareil. Certains modèles sont dotés d'un système de relevage du plateau de coupe contrôlé par pédale. Ce système est doté d'un ressort qui est sous tension. Placez ce système de relevage à la position verrouillée avant de retirer le plateau de coupe.</p>
	<p><b>AVERTISSEMENT – RETRAIT DE LA CLÉ DE CONTACT</b>            Avant de descendre de la tondeuse, débrayez les lames, poussez les barres de conduite à fond vers l'extérieur pour engager le frein de stationnement, coupez le moteur et retirez la clé de contact. Arrêtez le moteur et retirez la clé de contact si vous laissez l'appareil sans surveillance.</p>
	<p><b>AVERTISSEMENT – RISQUE DE BLESSURES PENDANT LE REMORQUAGE</b>            Ne remorquez pas de charges supérieures à 113 kg (250 lb). Le poids exercé sur l'attache de remorque ne doit pas dépasser 22 kg (50 lb). Ne laissez personne monter sur l'équipement remorqué, en particulier des enfants. Ne vous engagez pas sur les pentes supérieures à 5° (9 %). Lorsque vous remorquez un équipement sur une pente, la traction des pneus peut être réduite et il est plus facile de perdre le contrôle de la tondeuse. N'allez pas trop vite et n'attendez pas le dernier moment pour freiner ou vous arrêter.</p>

### ▲ AVERTISSEMENT

Il est de votre responsabilité de vous assurer que seules des personnes capables de lire, de comprendre et de respecter les consignes de sécurité figurant sur le moteur et dans cette notice utilisent votre appareil.

CONSERVEZ CES INSTRUCTIONS !

# Inclinomètre

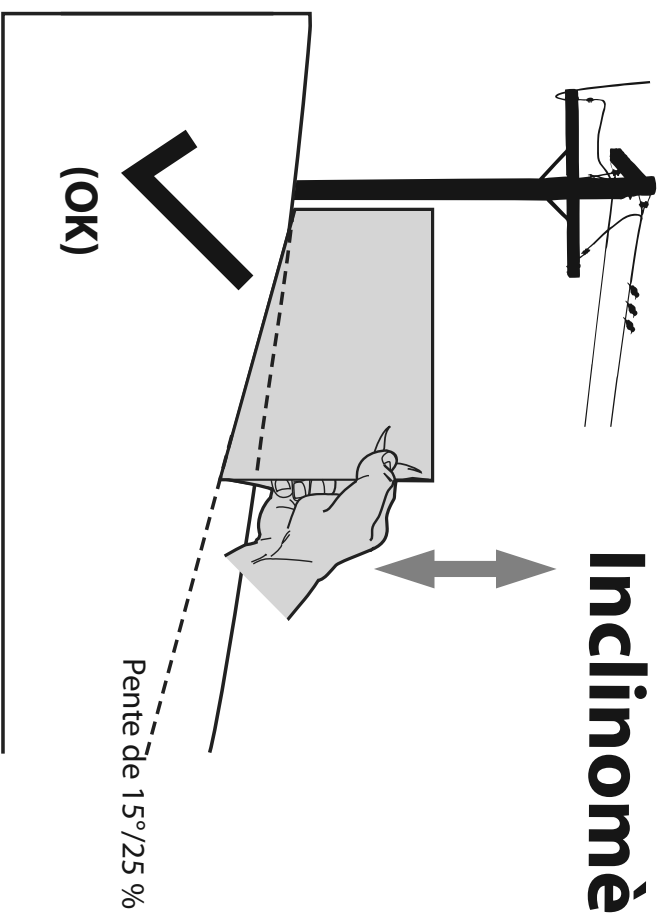


Figure 1

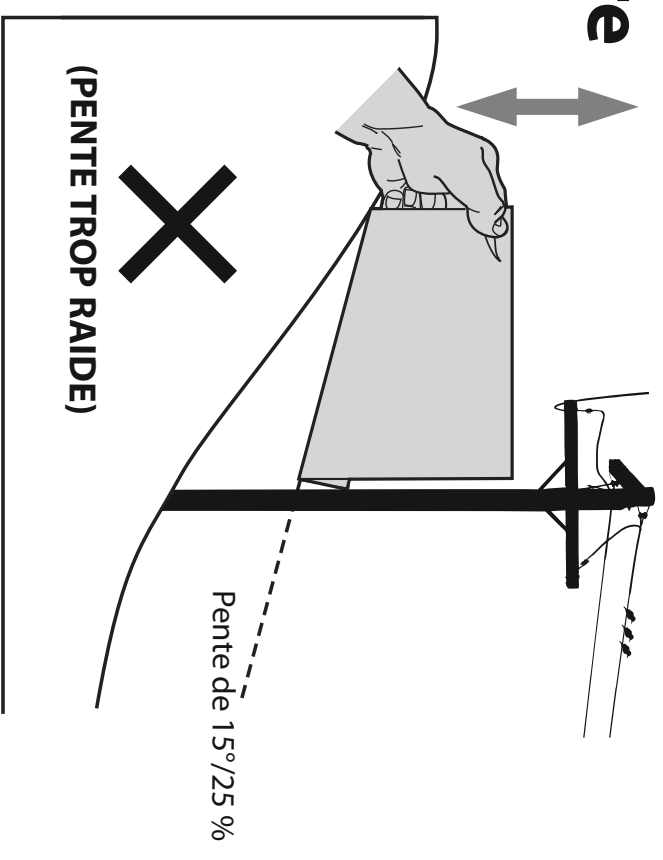


Figure 2

**Pour une utilisation sans danger, utilisez l'inclinomètre pour établir si la pente est trop raide !**

- Pour vérifier l'angle de la pente, procédez comme suit :
1. Enlevez cette page et pliez-la en suivant la ligne pointillée.
  2. Repérez un objet vertical sur la pente ou à l'arrière de la pente (un poteau, un bâtiment, une clôture, un arbre, etc.).
  3. Alignez un côté de l'inclinomètre avec l'objet (voir Figure 1 et Figure 2).
  4. Réglez l'inclinomètre vers le haut ou vers le bas jusqu'à ce que le coin gauche touche la pente (voir Figure 1 et Figure 2).
  5. S'il y a un écart sous l'inclinomètre, la pente est trop raide pour une utilisation sans danger.

*Ligne pointillée représentant une pente de 15°/25 %*



**AVERTISSEMENT !** Les pertes de contrôle et les renversements se produisent souvent sur des pentes et peuvent causer de graves blessures. N'utilisez pas cet appareil sur des pentes supérieures à 15 degrés. Travailler sur un terrain en pente demande des précautions supplémentaires.

# ASSEMBLAGE

**Note :** Ce manuel est commun à plusieurs modèles. Les caractéristiques peuvent varier selon le modèle. Certaines caractéristiques décrites dans ce manuel peuvent ne pas s'appliquer à tous les modèles. Votre appareil peut différer du modèle illustré.

**Note :** Toutes les mentions de droite, gauche, avant et arrière ne s'entendent qu'à partir du poste de conduite. Les exceptions seront spécifiées, s'il y a lieu.

## Préparation

### Déplacement manuel de l'appareil

1. Pour engager la tige de dérivation, tirez sur la tige (a) et placez-la dans la fente en J. Répétez l'opération pour l'autre côté. Voir Figure 1.
2. Après avoir déplacé l'appareil, effectuez les étapes dans l'ordre inverse pour désengager les deux tiges de dérivation.

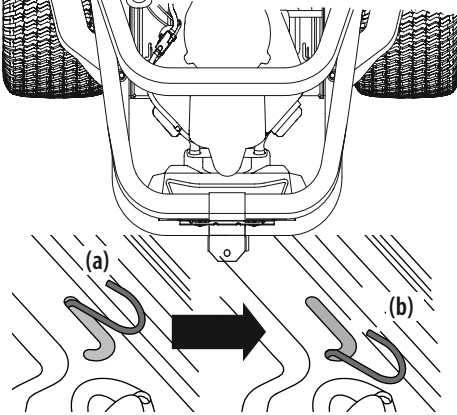


Figure 1

### Installation de la plaque d'attelage (le cas échéant)

1. Repérez la plaque d'attelage (a) et installez-la à l'arrière du châssis avec les deux boulons (b) fournis. Voir Figure 2.

**Note :** L'attache et les boulons sont dans le sac de quincaillerie.

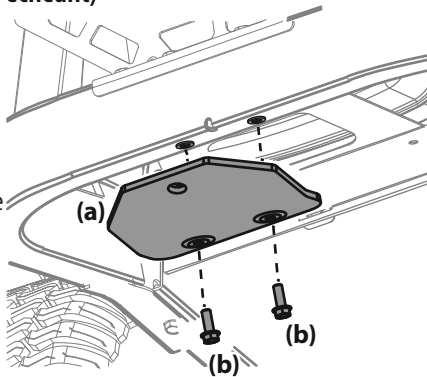


Figure 2

### Structure de protection anti-retournement

La Figure 3 explique les trois (3) positions de la structure de protection anti-retournement qui sont décrites ci-dessous.

- **POSITION DE TRANSPORT :** Placez la structure de protection dans cette position lorsque l'appareil doit être transporté ou lorsque la structure doit être repliée pour ne pas heurter des objets tels que les branches d'arbres, les cordes à linge, les fils de retenue en acier, les poteaux électriques, les édifices, etc.
- **POSITION DE TRANSPORT AVEC BAC RÉCUPÉRATEUR :** Placez la structure de protection dans cette position pour transporter un appareil doté d'un bac récupérateur.
- **POSITION D'UTILISATION :** La structure de protection doit être utilisée dans cette position en tout temps sauf si les circonstances exigent qu'elle soit placée à la position de transport ou celle de transport avec bac récupérateur.

#### Positions de la ROPS supérieure

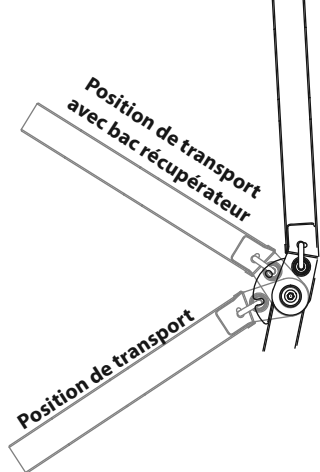


Figure 3

Pour changer la position de la structure de protection :

1. Tirez sur la partie supérieure de la structure de protection anti-retournement pour pouvoir retirer la goupille de verrouillage (a) de la position verrouillée (b). Tournez-la dans la position de réglage (c). Répétez l'opération pour l'autre goupille. Voir Figure 4.
2. Placez la structure de protection à la position désirée. Voir Figure 5.

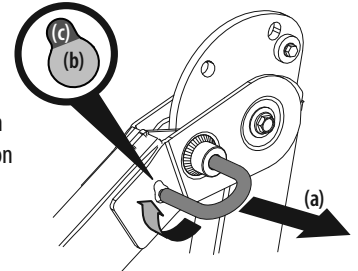


Figure 4

**Note :** La structure peut être placée à la position de transport (a), la position de transport avec bac récupérateur (b) ou celle d'utilisation (c).

3. Tournez les goupilles dans la position verrouillée. Relevez légèrement la partie supérieure de la structure de protection anti-retournement jusqu'à ce que les goupilles soient bien enclenchées dans la position verrouillée.

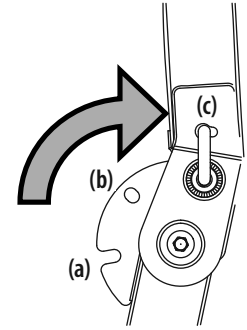


Figure 5

**Note :** Voir la broche ROPS correctement installée (entièrement engagée) dans la Figure 6.

**⚠ DANGER**

Vérifiez toujours que les goupilles de verrouillage droite et gauche de la structure ROPS sont bien en place et complètement engagées dans la charnière de sorte que chaque goupille de verrouillage soit visible sur la face intérieure. Ne pas verrouiller complètement chaque goupille de verrouillage peut entraîner des blessures graves, voire mortelles.

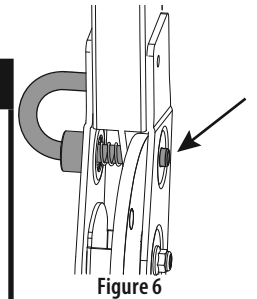


Figure 6

### Installation du siège (Si nécessaire)

1. Coupez toutes les courroies de fixation qui fixent le siège à l'appareil. Enlevez le matériel d'emballage.

**Note :** Veillez à ne pas couper le faisceau du siège.

2. Fixez le siège au support du siège (b) avec les écrous autobloquants à bride (a). Voir Figure 7.

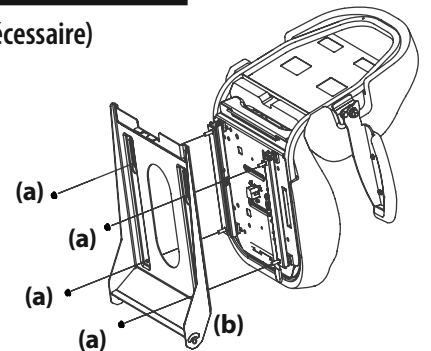


Figure 7

3. Si nécessaire, connectez le faisceau de l'interrupteur du siège (a) à l'interrupteur (b). Voir Figure 8. Placez l'excédent de fil loin des points de pincement.

**Note :** Le tracteur ne fonctionnera pas sans le faisceau de câbles de l'interrupteur de siège connecté.

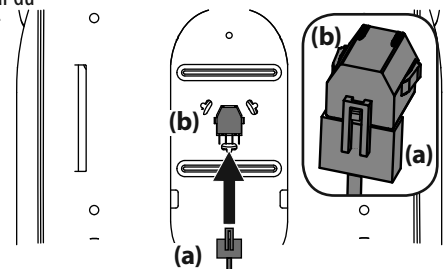


Figure 8

# ASSEMBLAGE

## Réglage des barres de conduite

Pour assurer le confort du conducteur, il est possible d'ajuster la position verticale et la position horizontale des deux barres de conduite. Elles peuvent être placées à trois hauteurs. Utilisez le bouton pour les déplacer vers l'avant ou vers l'arrière.

Procédez comme suit pour ajuster la hauteur des barres de conduite :

1. Retirez les deux boulons de carrosserie (a) et les deux écrous autobloquants (b) qui fixent la barre de conduite (c) au dispositif de réglage (d). Voir Figure 9.

**Note :** Vous pouvez utiliser l'outil multifonction (si fourni) pour effectuer ce réglage.

2. Placez la barre de conduite à la hauteur désirée et retenez-la avec les boulons de carrosserie et les écrous autobloquants à bride. Voir Figure 9.

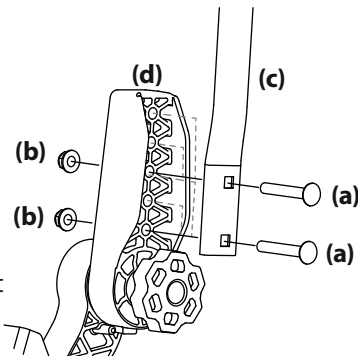


Figure 9

Procédez comme suit pour ajuster la position des barres de conduite plus en avant ou plus en arrière :

1. Tournez le bouton (a) vers la gauche pour le desserrer. Voir Figure 10.
2. Relevez la barre de conduite et tournez-la à la position désirée.
3. Tournez le bouton vers la droite pour fixer la barre de conduite. Voir Figure 10.

4. Si les stabilisateurs ne sont pas alignés après le réglage du bouton, desserrez les écrous (b), alignez les stabilisateurs et resserrez les écrous. Une fois ce réglage fin effectué, les barres stabilisatrices s'alignent lors de l'ajustement du bouton. Voir Figure 9.

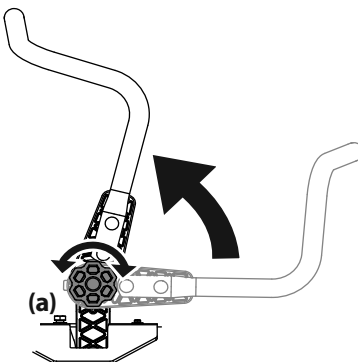


Figure 10

## Déflexeur de décharge de pont

### ⚠ AVERTISSEMENT

Ne jamais utiliser le carter de tondeuse sans le déflecteur de goutlotte installé et en position basse.

1. La goutlotte est livrée attachée et avec un support d'arrêt tenant la goutlotte en position verticale. Le support d'arrêt doit être retiré avant d'utiliser le tracteur. Voir Figure 11.
2. En tenant le déflecteur de goutlotte complètement vers le haut, retirez le support d'arrêt:
  - a. Saisissez le support (a) par l'arrière de la goutlotte au-dessus du pont.
  - b. Soulevez légèrement pour libérer le support de l'encoche (b).
  - c. Tirez pour retirer complètement le support.

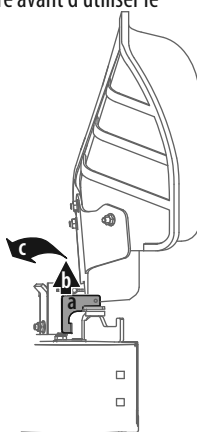


Figure 11

## Réglage des roues antidégazonnement avant

**Note :** Les roues du plateau de coupe préviennent le dégazonnement de la pelouse et ne sont pas conçues pour soutenir le plateau de coupe.

1. Stationnez l'appareil sur une surface plane, préférablement asphaltée.
2. Vérifiez la pression des pneus et réglez-la au besoin. La pression recommandée est indiquée sur le flanc du pneu.
3. Vérifiez que le plateau de coupe est de niveau latéralement et bien ajusté. Consultez le chapitre Entretien et réglages pour plus d'informations sur la mise à niveau du plateau de coupe.

4. Placez le levier de relevage du plateau de coupe ou le bouton à la hauteur de coupe désirée.
5. Vérifiez s'il y a trop de jeu ou de contact entre les roues antidégazonnement avant et le sol.

**Note :** Les roues antidégazonnement doivent être de 6,35 mm (¼ po) à 12,7 mm (½ po) au-dessus du sol.

6. Retirez l'écrou autobloquant (a) qui sert à retenir la roue antidégazonnement avant (b) au plateau de coupe. Enlevez la vis à épaulement (b), l'entretoise (c) et la bague (e) pour retirer la roue (d). Voir Figure 12.

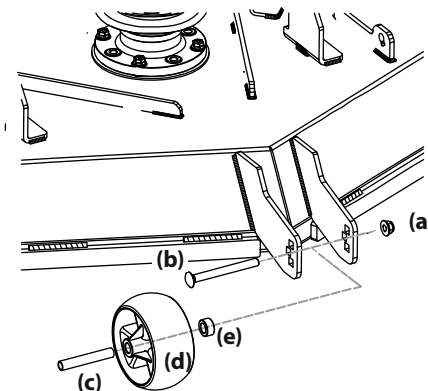


Figure 12

7. Placez l'entretoise au centre de la roue, alignez la roue avec la bague placée sur le côté plus court du moyeu et installez le tout dans les supports à la hauteur désirée.

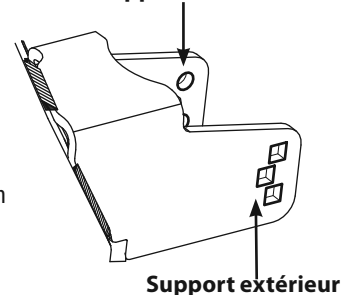
**Note :** Il faut un dégagement de 6,35 mm (¼ po) à 12,7 mm (½ po) entre la roue et le sol.

8. Insérez la vis à épaulement dans le trou approprié du support.

**Note :** Pour les roues antidégazonnement latérales, le boulon doit être inséré à partir de l'extérieur de la tondeuse dans le trou carré du support. Pour la roue placée au centre du plateau (si présente), le boulon peut être installé à partir de la gauche ou de la droite. Voir Figure 13.

9. Retenez la roue avec l'écrou autobloquant retiré auparavant.

### Support intérieur



### Support extérieur

Figure 13

## Informations sur la batterie

### ⚠ AVERTISSEMENT

**AVERTISSEMENT de la Proposition 65 de la Californie :** Les bornes et les cosses de batterie ainsi que les accessoires connexes contiennent du plomb et des composés de plomb, soit des produits chimiques reconnus par l'État de Californie comme cancérigènes et pouvant provoquer des effets nuisibles à la reproduction. Lavez-vous les mains après toute manipulation.

# ASSEMBLAGE

## ⚠ AVERTISSEMENT

En cas d'éclaboussures accidentelles d'électrolyte dans les yeux ou sur la peau, rincez-les immédiatement avec de l'eau propre et froide. Consultez rapidement un médecin.

Si l'électrolyte se répand sur vos vêtements, lavez-les à l'eau froide. Neutralisez ensuite l'électrolyte avec une solution d'ammoniac et d'eau ou une solution de bicarbonate de soude et d'eau.

Ne branchez (et ne débranchez) JAMAIS les pinces du chargeur de batterie lorsque le chargeur est sous tension, car cela peut provoquer des étincelles.

Gardez la batterie loin des flammes et des sources d'étincelles (cigarettes, allumettes, briquets). Les gaz produits pendant la charge sont inflammables.

Par mesure de précaution supplémentaire, chargez toujours la batterie dans un endroit aéré.

Prenez soin de protéger vos yeux, votre peau et vos vêtements lorsque vous manipulez une batterie.

Les batteries contiennent de l'acide sulfurique et peuvent dégager des gaz explosifs. Soyez très prudent lorsque vous manipulez une batterie. Gardez les batteries hors de portée des enfants.

## ⚠ ATTENTION

Branchez toujours le câble POSITIF (rouge) à sa borne avant de brancher le câble NÉGATIF (noir).

**Note :** La borne positive de la batterie est identifiée par POS (+). La borne négative de la batterie est identifiée par NEG (-).

### Branchement des câbles de batterie

## ⚠ AVERTISSEMENT

Branchez toujours le câble positif (rouge) à la batterie avant de brancher le câble négatif (noir) pour éviter toute formation d'étincelles et toute blessure en cas de court-circuit causé par le contact des outils avec l'appareil.

Aux fins d'expédition, les deux câbles de batterie de votre appareil peuvent avoir été débranchés en usine. Procédez comme suit pour brancher les câbles de la batterie :

1. Retirez le protecteur en plastique, le cas échéant, de la borne positive. Connectez le raccord rouge à la borne positive (+) avec un boulon et un écrou. Voir Figure 12.

2. Retirez le protecteur en plastique, le cas échéant, de la borne négative de la batterie et fixez le câble noir à la borne négative (-) avec un boulon (a) et un écrou (b). Voir Figure 14.

3. Remplacez le capuchon rouge en caoutchouc (c) sur la borne positive (+) de la batterie pour la protéger contre la corrosion. Voir Figure 14.

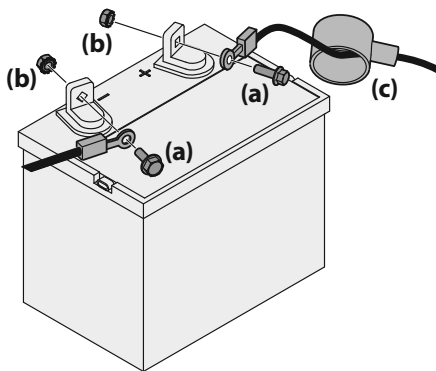


Figure 14

**Note :** Si la batterie est mise en service après la date indiquée sur le dessus ou sur le côté de la batterie, rechargez-la selon les instructions du chapitre Entretien et réglages de ce manuel avant d'utiliser l'appareil.

### Entretien de la batterie

- La batterie est remplie d'électrolyte et scellée à l'usine. Cependant, même une batterie « sans entretien » demande un peu d'entretien de temps à autre pour assurer son cycle de vie complet.
- Vaporisez les bornes et les fils exposés avec un scellant approprié ou appliquez une mince couche de graisse ou de gelée de pétrole sur les bornes pour les protéger contre la corrosion.

- Assurez-vous que les câbles et les bornes de la batterie sont toujours propres et non corrodés.
- Évitez de faire basculer la batterie. L'électrolyte peut s'échapper de la batterie même si elle est scellée.

### Remisage de la batterie

- Lorsque vous remisez l'appareil pour une longue période, débranchez le câble négatif de la batterie. Il n'est pas nécessaire de retirer la batterie.
- Toutes les batteries se déchargent pendant le remisage. Gardez l'extérieur de la batterie (surtout la partie supérieure) propre. Une batterie sale se décharge plus rapidement.
- La batterie doit être complètement chargée avant d'être remisee. Une batterie déchargée gèle plus rapidement qu'une batterie chargée. Une batterie complètement chargée se conserve plus longtemps à des températures basses qu'à des températures élevées.
- Rechargez la batterie avant de vous en servir. L'appareil peut démarrer, mais le système de charge du moteur peut ne pas recharger la batterie complètement.

### Démontage de la batterie

## ⚠ AVERTISSEMENT

Les bornes et les cosses de batterie ainsi que les accessoires connexes contiennent du plomb et des composés de plomb. Lavez-vous les mains après toute manipulation.

La batterie est située sous le châssis du siège. Pour retirer la batterie :

- Retirez le boulon hexagonal (a) qui fixe la tige de retenue de la batterie (b) au châssis. Faites pivoter la tige de retenue de la batterie (b) vers le haut et retirez la batterie. Voir Figure 15.
- Retirez la vis d'assemblage et l'écrou qui fixent le câble négatif (noir) à la borne négative de la batterie (NEG). Placez le câble loin de la borne négative de la batterie.
- Retirez la vis d'assemblage et l'écrou qui fixent le câble positif (rouge) à la borne positive de la batterie (indiquée POS).
- Enlevez la batterie avec précaution.
- Pour installer la batterie, suivez les étapes ci-dessus dans l'ordre inverse.

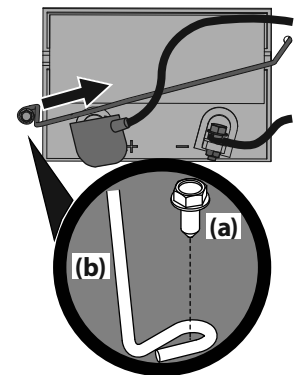


Figure 15

### Recharge de la batterie

Si l'appareil a été remisé pendant une longue période, vérifiez la batterie et rechargez-la au besoin.

- Le voltmètre, ou le testeur de charge, doit indiquer 12,6 V (CC) ou plus aux deux bornes de batterie. Voir Figure 16.

Tension lue au voltmètre	État de charge	Temps de charge
12,7	100 %	Pleine charge
12,4	75 %	90 min
12,2	50 %	180 min
12,0	25 %	280 min

- Rechargez la batterie avec un chargeur de batterie de 12 V réglé à 10 A au MAXIMUM.

Figure 16

# ASSEMBLAGE

## Utilisation du loquet de siège

1. Placez les barres de conduite complètement en position de frein de stationnement.
2. Localisez le loquet du siège à l'arrière du siège.
3. Appuyez sur les languettes avant pour dégager le loquet du siège.
4. Faites pivoter tout le plateau du siège vers le haut. Voir Figure 17.

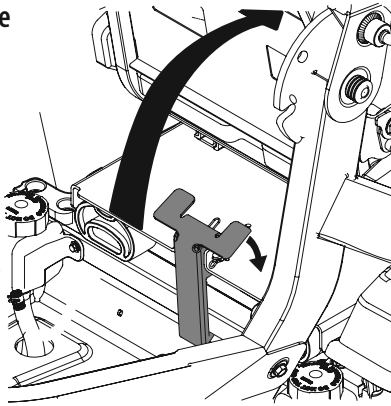


Figure 17

## Fixation de le câble d'attache du siège (modèles ZT6)

Les modèles ZT6 sont expédiés avec le siège rabattu vers l'avant et le câble d'attache du siège détaché de l'assise.

1. Localisez le câble d'attache du siège. L'extrémité inférieure sera préinstallée sur le côté intérieur gauche du cadre.
2. À l'aide d'une clé 7/16" et d'une clé 3/8", retirez le boulon à épaulement et le contre-écrou hexagonal du côté gauche du siège.
3. Installez l'extrémité détachée du câble d'attache du siège sur l'assise du siège avec le matériel préalablement retiré. Voir Figure 18.
  - a. Faites glisser le câble sur le boulon à épaulement précédemment retiré.
  - b. Faites passer le boulon à épaulement dans le trou de l'intérieur vers l'extérieur.
  - c. Fixez le câble avec le contre-écrou hexagonal et serrez-le à 8-11,5 N-m (68-102 in-lb).

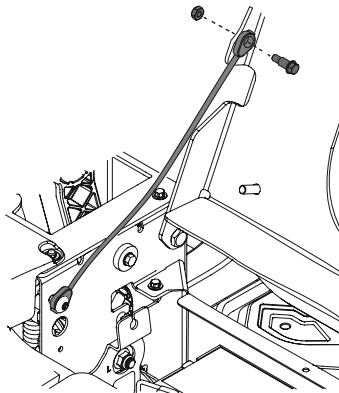


Figure 18

## Réglage du siège

1. Poussez le levier à gauche et tenez-le pour régler la position du siège.
2. Glissez le siège vers l'avant ou vers l'arrière à la position désirée.
3. Relâchez le levier. Assurez-vous que le siège est bien dans la bonne position et bloqué avant d'utiliser l'appareil. Voir Figure 19.

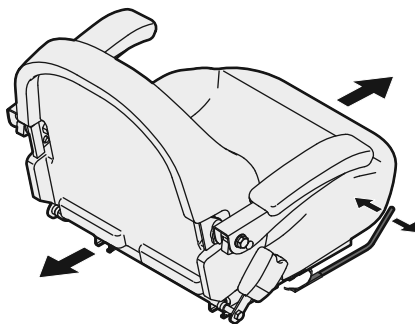


Figure 19

## Réglage du mécanisme de suspension mécanique (modèles ZT6)

Le mécanisme de suspension mécanique (le cas échéant) comprend des commandes de réglage poids / manœuvre pour les opérateurs dans la plage de poids allant de 125 à 275 lb (57-124 kg). Tournez le bouton situé à l'avant du siège dans le sens des aiguilles d'une montre pour augmenter la capacité de poids et dans le sens des aiguilles d'une montre pour diminuer. Voir Figure 20.

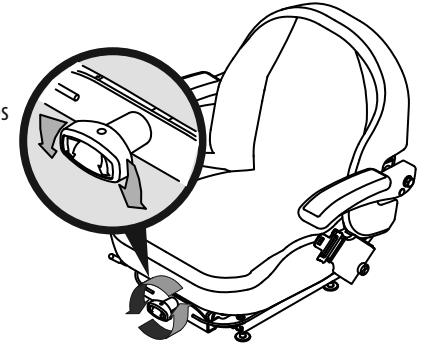


Figure 20

**Note:** La base du siège doit être sécurisée par le loquet, sinon le siège pourrait basculer vers l'avant. Le capteur de présence de l'opérateur doit être connecté au faisceau de câbles électriques.

# UTILISATION

**Note :** Ce manuel est commun à plusieurs modèles. Les caractéristiques peuvent varier selon le modèle. Certaines caractéristiques décrites dans ce manuel peuvent ne pas s'appliquer à tous les modèles. Votre appareil peut différer du modèle illustré.

**Note :** Toutes les mentions de GAUCHE, DROITE, AVANT et ARRIÈRE ne s'entendent qu'à partir du poste de conduite.

## ① Barres de conduite

Les barres de conduite sont placées de chaque côté du siège du conducteur. Ces barres de conduite pivotent vers l'extérieur pour permettre au conducteur de s'asseoir sur le siège ou de quitter le poste de conduite. Elles doivent être poussées à fond vers l'extérieur pour engager le frein de stationnement pour que le moteur puisse être démarré. Le frein de stationnement est engagé lorsqu'elles sont poussées à fond vers l'extérieur.

Chaque barre de conduite contrôle une transmission. Elles contrôlent donc tous les mouvements de l'appareil. L'utilisation d'une tondeuse à rayon de braquage zéro équipée de barres de conduite est différente de celle d'un tracteur de pelouse de type conventionnel. L'utilisateur doit s'habituer aux commandes de direction (c.-à-d. aux barres de conduite). Consultez la section Première utilisation pour plus de renseignements.

## ② Barre de réglage de la hauteur du plateau de coupe

Il y a un écart de 6,35 mm (¼ po) entre chaque trou. La hauteur est de 2,5 cm (1 po) lorsque le plateau est placé au trou le plus bas et de 12 cm (4¾ po) au trou le plus haut. Voir Figure 21, 4a et 4b.

## ③ Levier de verrouillage du plateau de coupe

Placez le levier de relevage du plateau au-dessus de la position de tonte la plus haute pour verrouiller le plateau de coupe dans la position de transport. Pour verrouiller le plateau, appuyez sur la pédale de relevage et placez le bouton en position arrière. Pour déverrouiller le plateau et le placer à la position de coupe appropriée, appuyez sur la pédale de relevage et placez le bouton en position avant.

## ④a Pédale de relevage du plateau de coupe

La pédale de relevage est située à l'avant droit du marchepied. Utilisez cette pédale et le bouton de réglage pour relever et abaisser le plateau de coupe. Pressez sur la pédale, tournez le bouton à la hauteur de coupe désirée et relâchez la pédale.

## ④b Bouton de réglage du plateau de coupe

Utilisez ce bouton et la pédale de relevage pour relever et abaisser le plateau de coupe. Pressez sur la pédale, tournez le bouton à la hauteur de coupe désirée et relâchez la pédale.

## ⑤ Bouton de la prise de force

### Embrayage de la prise de force électrique

Le bouton de la prise de force permet d'embrayer la prise de force électrique qui est installée à la base du vilebrequin du moteur. Tirez le bouton pour embrayer la prise de force ou pressez le bouton pour la débrayer.

Le bouton de la prise de force doit se trouver à la position désengagée (OFF) au démarrage.

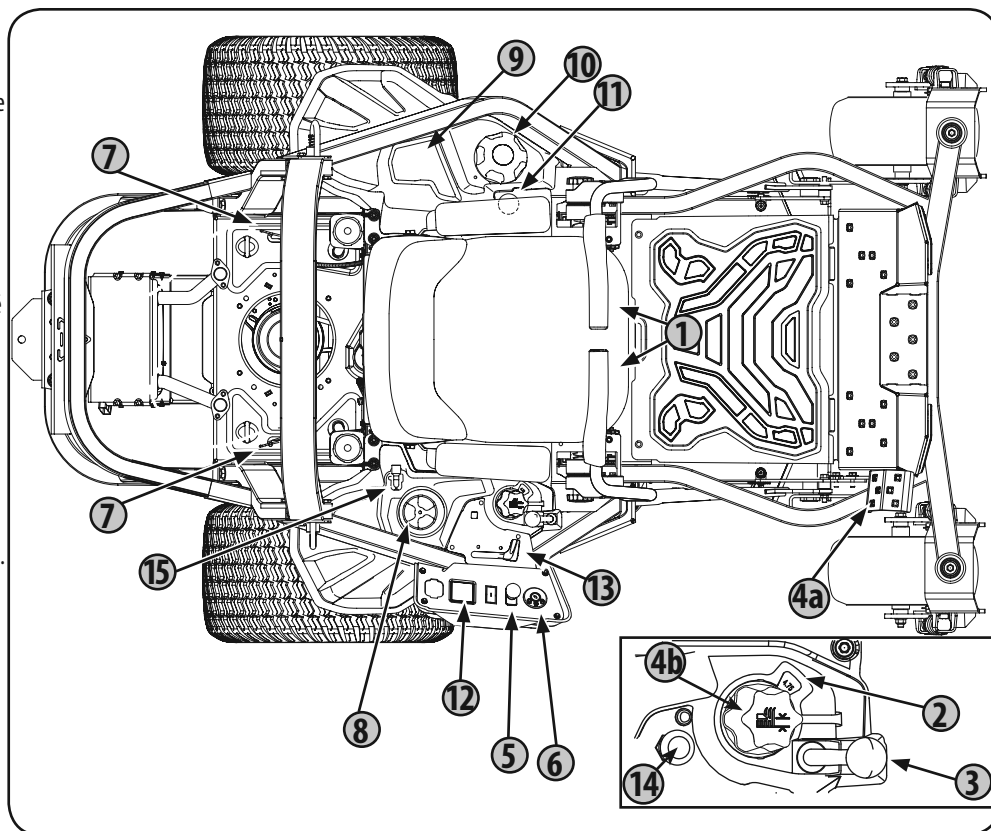


Figure 21

## ⑥ Commutateur d'allumage

### ⚠ AVERTISSEMENT

Ne laissez jamais votre appareil en marche sans surveillance. Débrayez toujours la prise de force, engagez le frein de stationnement, arrêtez le moteur et retirez la clé de contact pour empêcher tout démarrage accidentel.

Les trois positions du commutateur d'allumage sont :

ARRÊT (STOP) — Le moteur est arrêté et le système électrique est hors circuit.

MARCHE (RUN) — Le système électrique de l'appareil est sous tension.

DÉMARRAGE (START) — Le démarreur fait tourner le moteur. Relâchez la clé lorsque le moteur démarre.

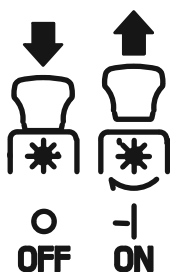
**Note :** Retirez la clé de contact lorsque vous n'utilisez pas l'appareil pour éviter un démarrage accidentel ou la décharge de la batterie.

## ⑦ Tiges de dérivation des transmissions

La tige de dérivation de la transmission droite et celle de la transmission gauche sont placées du côté intérieur de chaque pneu arrière. Lorsqu'elles sont engagées, les deux tiges permettent la dérivation des transmissions hydrostatiques, ce qui permet le déplacement manuel de l'appareil sur de courtes distances. Veuillez consulter le chapitre Assemblage pour des instructions détaillées.

### ⚠ ATTENTION

Ne remorquez jamais votre appareil. Le remorquage de l'appareil avec les roues arrière au sol peut gravement endommager la transmission.





# UTILISATION

## 8 Porte-gobelet

Le porte-gobelet est placé sur la partie supérieure de l'aile.

## 9 Bac de rangement

Le bac de rangement se trouve à l'arrière de l'aile.

## 10 Bouchon de réservoir d'essence

Tournez le bouchon d'environ un quart de tour et tirez-le vers le haut pour le retirer. Le bouchon est attaché à l'appareil pour qu'il ne se perde pas. Ne détachez pas le bouchon du réservoir. Remplissez le réservoir jusqu'à 12,7 mm (½ po) sous la base du col de remplissage pour laisser assez d'espace pour l'expansion de l'essence. Ne faites pas déborder le réservoir d'essence.

Pour replacer le bouchon, pressez sur le bouchon et tournez-le vers la droite jusqu'à ce qu'il y ait au moins deux dé clics. Resserrez bien le bouchon après l'avoir retiré.

### ⚠ AVERTISSEMENT

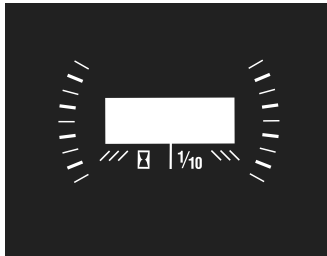
Ne faites jamais le plein lorsque le moteur est en marche. Si le moteur est chaud, attendez qu'il refroidisse pendant au moins cinq minutes avant de faire le plein. L'essence est inflammable et ses éclaboussures sur un moteur chaud risquent de provoquer un incendie.

## 11 Jauge de carburant

La jauge est placée à la gauche du siège et sert à mesurer le niveau d'essence dans le réservoir.

## 12 Écran de rappels d'entretien et compteur d'heures (le cas échéant)

Un rappel d'entretien est affiché à l'écran ACL lorsqu'il faut changer l'huile à moteur ou vérifier le filtre à air. L'écran ACL vous avertit également si le niveau d'huile est bas ou si la batterie est faible. Lorsque la clé de contact est déplacée de la position ARRÊT (STOP) à toute autre position que celle de démarrage, l'écran de rappels d'entretien affiche brièvement la tension de la batterie, puis le nombre d'heures d'utilisation de l'appareil.



**Note :** Lorsque la clé de contact est déplacée de la position ARRÊT (STOP), le compteur d'heures enregistre la durée d'utilisation (le sablier est activé), même si le moteur n'a pas été démarré.

### Changement d'huile

Lorsqu'un changement d'huile est nécessaire, l'écran ACL affichera les lettres « CHG », « OIL » (huile) et « SOON » (bientôt), puis le nombre d'heures d'utilisation. L'affichage des lettres « CHG / OIL / SOON » et du nombre d'heures d'utilisation sera alterné sur l'écran pendant 7 minutes quand le compteur d'heures atteindra 50 heures d'utilisation. Le rappel de changement d'huile s'affiche toutes les 50 heures d'utilisation. Changez l'huile à moteur dans le délai indiqué, selon les instructions de la notice d'utilisation du moteur.

### Niveau d'huile bas

**Note :** La fonction « Pression d'huile basse » n'est disponible que si le moteur est équipé d'un interrupteur de pression d'huile.

Si la pression d'huile du moteur est basse, l'écran ACL affichera les lettres « LO » et « OIL » (huile), puis le nombre d'heures d'utilisation. Ceci est normal lors du démarrage du moteur. Après le démarrage, le témoin restera allumé jusqu'à ce que le moteur produise assez de pression. Si le moteur a fonctionné à plein régime pendant quelques minutes et le témoin demeure allumé, arrêtez l'appareil immédiatement. Vérifiez le niveau d'huile selon les instructions dans la notice d'utilisation du moteur. Si le témoin demeure allumé tandis que le niveau d'huile est correct, contactez un centre de service agréé.

### Batterie faible

Au démarrage, l'écran ACL affiche brièvement la tension de la batterie, puis le nombre d'heures d'utilisation. Si la batterie est faible, l'écran affichera les lettres « LO » et « BATT », puis le nombre d'heures d'utilisation. Les lettres « LO / BATT » et le nombre d'heures d'utilisation apparaîtront sur l'écran si la tension est inférieure à 11,5 volts. La tension de la batterie est 11 volts si la batterie n'est pas assez chargée ou si le système de charge du moteur ne produit pas assez d'ampérage. Rechargez la batterie selon les instructions du chapitre Assemblage de ce manuel ou visitez votre centre de service pour faire vérifier le système de charge.

### Vérification du filtre à air

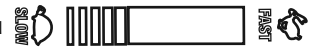
Lorsqu'un changement d'huile est nécessaire, l'écran ACL affichera les lettres « CLN », « AIR » et « FILT », puis le nombre d'heures d'utilisation de l'appareil. L'affichage des lettres « CLN / AIR / FILT » et du nombre d'heures d'utilisation sera alterné sur l'écran pendant 7 minutes quand le compteur d'heures atteindra 25 heures d'utilisation. Le rappel d'entretien du filtre à air s'affiche toutes les 25 heures d'utilisation. Lorsque le rappel d'entretien du filtre à air coïncide avec celui du changement d'huile, l'écran affiche d'abord le rappel de changement d'huile, puis celui du filtre à air.

## 13 Levier d'accélérateur/d'étrangleur ou levier d'accélérateur

**Note :** Le régime du moteur sera maintenu selon le réglage choisi.

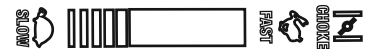
### Levier d'accélérateur (le cas échéant)

Déplacez le levier d'accélérateur vers l'avant pour augmenter la vitesse. L'appareil est conçu pour fonctionner avec le levier d'accélérateur à la position RAPIDE (plein régime) lorsque l'appareil avance et le plateau de coupe est engagé. Déplacez le levier vers l'arrière pour réduire le régime du moteur.



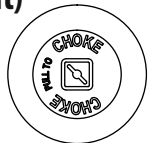
### Levier d'accélérateur/d'étrangleur (le cas échéant)

Déplacez le levier d'accélérateur/d'étrangleur vers l'avant pour augmenter la vitesse. L'appareil est conçu pour fonctionner avec le levier d'accélérateur à la position RAPIDE (plein régime) lorsque l'appareil avance et le plateau de coupe est engagé. Déplacez ce levier l'arrière pour réduire le régime du moteur. Au démarrage, poussez le levier à fond vers l'avant à la position ÉTRANGLEUR (CHOKE). Lorsque le moteur est en marche, déplacez le levier vers l'arrière jusqu'à ce qu'il ait passé le point de friction. Ce levier n'est pas utilisé pour contrôler la vitesse de l'appareil, il doit être maintenu à la position Rapide lorsque les lames sont embrayées.



## 14 Commande d'étrangleur (le cas échéant)

Cette commande sert à contrôler le degré d'ouverture du papillon d'étrangleur. Tirez le bouton pour actionner l'étrangleur ou pressez le bouton pour désactiver l'étrangleur.



## 15 Outil multifonction

L'outil multifonction (a) se trouve derrière l'aile droite. Cet outil (a) peut être utilisé comme levier de verrouillage du plateau de coupe ou de dégagement avec l'embout de ½ po. Il peut aussi servir pour ajuster la hauteur des barres de conduite et régler les barres de conduite. Consultez le chapitre Entretien et réglages pour plus de renseignements. Voir Figure 22.

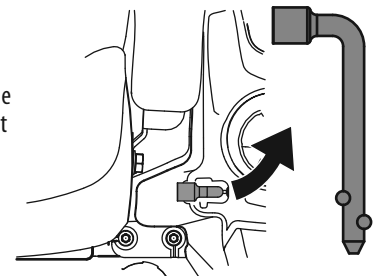


Figure 22

### Phares (non illustré)

Les phares se trouvent sur le devant du châssis. Ils s'allument lorsque la clé de contact est déplacée de la position ARRÊT (STOP). Les phares s'éteignent lorsque la clé de contact est tournée à la position ARRÊT (STOP).

### Levier de réglage du siège (non illustré)

Le levier de réglage du siège est situé sous le siège. Il permet de déplacer le siège du conducteur vers l'avant ou vers l'arrière. Consultez le chapitre Assemblage pour plus d'informations sur le réglage du siège.

**Note :** Si votre appareil n'est pas équipé de ce levier, utilisez les boutons sous le siège pour ajuster le siège. Consultez le chapitre Assemblage pour plus d'informations sur le réglage du siège.

## Utilisation

### Avant d'utiliser votre appareil

- Avant d'utiliser l'appareil, consultez la section Entretien et réglages de ce manuel pour les renseignements sur son entretien courant.

# UTILISATION

- Le moteur est conçu pour fonctionner avec de l'essence propre, fraîche et sans plomb. Utilisez de l'essence propre, fraîche, sans plomb, avec un indice d'octane de 87 ou plus.
- N'utilisez pas de l'essence de la saison précédente pour réduire la formation de dépôts dans le système d'alimentation.
- L'essence-alcool (comprenant jusqu'à 10 % d'alcool éthylique et 90 % d'essence sans plomb en volume) est un carburant approuvé. Les autres mélanges d'essence et d'alcool ne sont pas approuvés.
- Les mélanges de méthyl tert-butyl éther (MTBE) et d'essence sans plomb (jusqu'à un maximum de 15 % de MTBE en volume) sont approuvés. Les autres mélanges d'alcool et d'éther ne sont pas approuvés.

## Système de verrouillage de sécurité

### ⚠ AVERTISSEMENT

**N'utilisez pas l'appareil si un composant du système de verrouillage est défectueux. Ce système a été conçu pour votre sécurité et votre protection.**

Cet appareil est équipé d'un système de verrouillage de sécurité pour assurer la protection de l'utilisateur. Si ce système ne fonctionne pas correctement, n'utilisez pas l'appareil. Contactez un centre de service agréé.

- Le système de verrouillage de sécurité empêche le démarrage du moteur si le frein de stationnement n'est pas engagé ou si le levier de la prise de force n'est pas à la position débrayée.
- Le moteur s'arrête automatiquement si le conducteur se lève sans serrer le frein de stationnement.
- Le moteur s'arrête automatiquement si le conducteur quitte le poste de conduite quand l'interrupteur de la prise de force est à la position embrayée, que le frein de stationnement soit engagé ou non.

## Vérification des circuits du système de sécurité

Vérifiez régulièrement le bon fonctionnement des circuits du système de sécurité. Si un circuit ne fonctionne pas comme prévu, adressez-vous à un centre de service pour faire inspecter l'appareil. N'utilisez PAS l'appareil si un circuit du système de sécurité ne fonctionne pas correctement. Procédez comme suit pour vérifier les circuits de sécurité :

1. Embrayez la prise de force. Tournez brièvement la clé de contact à la position de démarrage. Le moteur ne devrait pas démarrer.
2. Pendant que le moteur est en marche et que les barres de conduites sont à la position neutre, poussez les deux barres à fond vers l'intérieur, puis soulevez-vous du siège du conducteur. Le moteur devrait s'arrêter.
3. Poussez les deux barres de conduite à fond vers l'extérieur pour engager le frein de stationnement, puis embrayez la prise de force. Soulevez-vous du siège du conducteur. Le moteur devrait s'arrêter.

## Démarrage du moteur

### ⚠ ATTENTION

**L'utilisateur doit être assis pour démarrer le moteur.**

1. Asseyez-vous et assurez-vous que les deux barres de conduite sont poussées à fond vers l'extérieur pour engager le frein de stationnement. Voir Figure 23. Veuillez consulter la section Première utilisation pour des instructions détaillées.

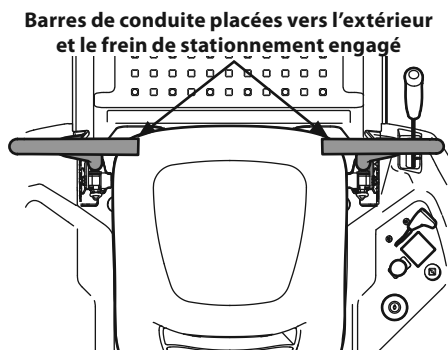


Figure 23

2. Assurez-vous que la prise de force est débrayée (OFF). Placez le levier d'accélérateur/d'étrangleur à la position ÉTRANGLEUR ou tirez le bouton d'étrangleur vers le haut pour actionner l'étrangleur. Si votre appareil est équipé d'un bouton d'étrangleur, placez le levier d'accélération entre la position LENTE et la position RAPIDE.

**Note :** Il n'est pas nécessaire d'étrangler le moteur s'il est déjà chaud.

3. Tournez la clé de contact vers la droite à la position de démarrage. Relâchez la clé dès que le moteur démarre. La clé retournera automatiquement à la position MARCHÉ.

### ⚠ ATTENTION

**NE tenez PAS la clé dans la position de démarrage pendant plus de dix secondes à la fois car cela risque d'endommager le démarreur électrique du moteur.**

4. Pendant que le moteur est en marche, tirez graduellement le levier d'accélérateur/d'étrangleur vers l'arrière, au-delà du point de friction de l'étrangleur. Pour les modèles équipés d'un bouton d'étrangleur, poussez lentement le bouton d'étrangleur vers le bas. N'utilisez pas l'étrangleur pour enrichir le mélange de carburant. Utilisez l'étrangleur au besoin pour faire démarrer le moteur.
5. Laissez le moteur en marche à mi-régime pendant quelques minutes avant d'appliquer une charge.
6. Vérifiez l'écran de rappels d'entretien. Si l'écran indique que le niveau d'huile est bas ou que la batterie est faible, arrêtez immédiatement le moteur. Faites inspecter votre appareil dans un centre de service agréé.

## Démarrage par temps froid

Pour démarrer le moteur lorsque la température est près ou au-dessous du point de congélation, utilisez une huile à moteur qui présente la viscosité appropriée et vérifiez que la batterie est complètement chargée. Démarrez le moteur comme suit :

1. Assurez-vous que la batterie est en bon état. Une batterie réchauffée a une plus grande capacité de démarrage qu'une batterie froide.
2. Utilisez de l'essence fraîche, appropriée pour l'hiver. L'essence pour l'hiver est plus volatile pour faciliter le démarrage. N'utilisez pas l'essence de la saison précédente.
3. Pour démarrer le moteur, suivez les instructions de la sous-section Démarrage du moteur.

## Démarrage du moteur à l'aide de câbles de démarrage

### ⚠ AVERTISSEMENT

**Les batteries contiennent de l'acide sulfurique et peuvent dégager des gaz explosifs. Assurez-vous que la zone de travail est bien aérée, portez des gants et des lunettes de protection et évitez de produire des flammes et des étincelles près de la batterie.**

Si la charge de la batterie est insuffisante pour faire démarrer le moteur, rechargez la batterie. Si vous n'avez pas de chargeur de batterie, utilisez une batterie d'appoint pour démarrer le moteur. Branchez la batterie d'appoint comme suit :

1. Branchez l'extrémité d'un câble à la borne positive de la batterie déchargée, puis branchez l'autre extrémité du câble à la borne positive de la batterie d'appoint.
2. Branchez l'extrémité de l'autre câble à la borne négative de la batterie d'appoint, puis branchez l'autre extrémité de ce câble au châssis de l'appareil, le plus loin possible de la batterie.
3. Démarrez le moteur de l'appareil selon les instructions de démarrage normal précédentes. Débranchez ensuite les câbles de démarrage dans l'ordre inverse de leur branchement.
4. Faites vérifier et réparer le système électrique de l'appareil dès que possible pour ne pas avoir à recharger la batterie de nouveau.

# UTILISATION

## Arrêt du moteur

1. Débrayez la prise de force.
2. Poussez les deux barres de conduite à fond vers l'extérieur pour engager le frein de stationnement.
3. Placez le levier d'accélérateur à la position RAPIDE.
4. Tournez la clé à la position ARRÊT (STOP) et retirez la clé du commutateur d'allumage.

**Note :** Si l'appareil est laissé sans surveillance, retirez toujours la clé du commutateur d'allumage pour éviter un démarrage accidentel ou la décharge de la batterie.

## Première utilisation

L'utilisation d'une tondeuse à rayon de braquage zéro est différente de celle d'un tracteur de pelouse de type conventionnel. Même si une tondeuse à rayon de braquage zéro est plus facile à manœuvrer, l'utilisateur doit s'habituer à utiliser les barres de conduite.

Il est fortement conseillé de choisir une zone assez spacieuse, plane et dégagée, sans obstacles et sans personnes à proximité, pour s'exercer à conduire l'appareil pendant au moins 30 minutes.

Déplacez l'appareil avec précaution dans la zone de pratique. La prise de force doit être débrayée pendant cet exercice. Faites fonctionner l'appareil à mi-régime et ne conduisez pas à la vitesse maximale en marche avant ou en marche arrière.

Suivez les instructions de la sous-section suivante, Utilisation de l'appareil, pour vous familiariser avec le fonctionnement de l'appareil. Continuez à vous exercer jusqu'à ce que vous soyez à l'aise pour utiliser l'appareil en toute sécurité.

## Utilisation de l'appareil

### ⚠ AVERTISSEMENT

Déplacez toujours les barres de conduite lentement et graduellement. Tout mouvement brusque des barres de conduite peut affecter la stabilité de l'appareil et causer son renversement, ce qui peut entraîner de graves blessures, voire la mort.

1. Ajustez le siège du conducteur à la position la plus confortable pour faciliter l'utilisation des commandes. Consultez le chapitre Assemblage pour plus d'informations sur le réglage du siège.
2. Tirez les barres de conduite vers l'intérieur à la position neutre. Le frein de stationnement sera désengagé. Voir Figure 24.

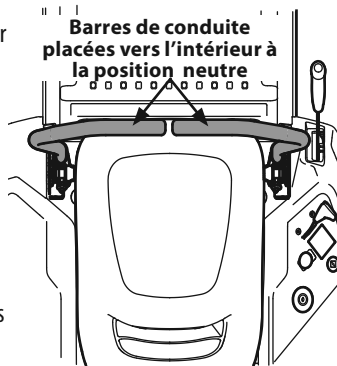


Figure 24

**Note :** Avant de déplacer les barres de conduite vers l'avant ou vers l'arrière, tirez-les à fond vers l'intérieur pour vous assurer que le frein de stationnement est désengagé. Ne stationnez pas l'appareil sur un terrain accidenté ou sur une pente car les freins peuvent rester bloqués ou partiellement engagés. L'appareil ne roulera pas si les freins ne sont pas complètement désengagés. Déplacez légèrement les barres de conduite dans la direction opposée (par rapport à la pente) pour déplacer la charge et complètement relâcher les freins.

**Note :** Si les barres de conduite ne sont pas alignées en position neutre, consultez la section Entretien et réglages pour plus d'informations sur le réglage des barres de conduite.

3. Placez le levier d'accélérateur à la position de plein régime.

### ⚠ AVERTISSEMENT

Maintenez les barres de conduite d'une prise ferme. NE relâchez PAS les barres de conduite pour ralentir ou arrêter l'appareil; utilisez vos mains pour placer les deux barres de conduite à la position neutre.

4. Pour conduire l'appareil, tenez fermement les barres de conduite avec vos deux mains et suivez les instructions à la section suivante, Déplacement en marche avant.

## Déplacement en marche avant

1. Poussez les barres de conduite lentement et graduellement vers l'avant. L'appareil commencera à avancer. Voir Figure 25.
2. Plus vous poussez les barres de conduite vers l'avant, plus l'appareil se déplacera rapidement.
3. Pour réduire la vitesse, déplacez les barres de conduite vers l'arrière jusqu'à la vitesse désirée ou placez les barres de conduite à la position neutre pour arrêter l'appareil.

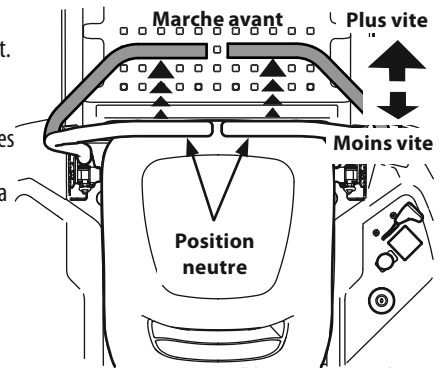


Figure 25

## Virage en marche avant

### ⚠ AVERTISSEMENT

Un virage très serré risque de réduire le contrôle de l'appareil. Ralentissez TOUJOURS avant d'effectuer un virage serré.

Pour effectuer un virage en marche avant, poussez une barre de conduite vers l'avant et tirez l'autre barre de conduite vers vous, selon le besoin. L'appareil tournera dans la direction de la barre de conduite qui est tirée vers l'arrière.

1. Pour tourner à gauche, tirez la barre de conduite gauche vers vous et poussez la barre de conduite droite vers l'avant. Voir Figure 26.
2. Pour tourner à droite, tirez la barre de conduite droite vers vous et poussez la barre de conduite gauche vers l'avant. Voir Figure 27.

### Virage à gauche en marche avant

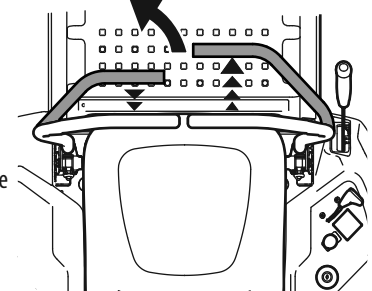


Figure 26

3. Plus la distance entre les deux barres de conduite est grande, plus le virage sera serré.
4. Pour effectuer un virage à 360 degrés, placez une barre de conduite (celle de la direction du virage) à la position neutre pendant que vous poussez l'autre barre de conduite vers l'avant.

### Virage à droite en marche avant

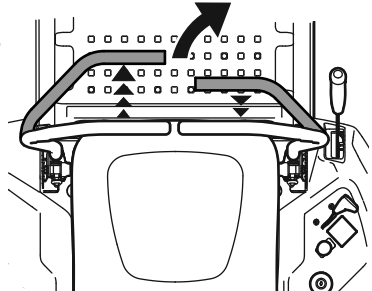


Figure 27

**Note :** Un virage à 360° risque d'endommager la pelouse.

# UTILISATION

## Déplacement en marche arrière

### ⚠ AVERTISSEMENT

Regardez toujours derrière vous et de chaque côté de l'appareil avant de reculer. Regardez toujours derrière vous lorsque vous reculez. Il n'est pas recommandé de tondre en marche arrière.

1. Poussez les barres de conduite lentement et graduellement vers l'arrière. L'appareil commencera à reculer. Voir Figure 28.
2. Plus vous poussez les barres de conduite vers l'arrière, plus l'appareil se déplacera rapidement.
3. Pour réduire la vitesse, déplacez les barres de conduite vers l'avant jusqu'à la vitesse désirée ou placez les barres de conduite à la position neutre pour arrêter l'appareil.

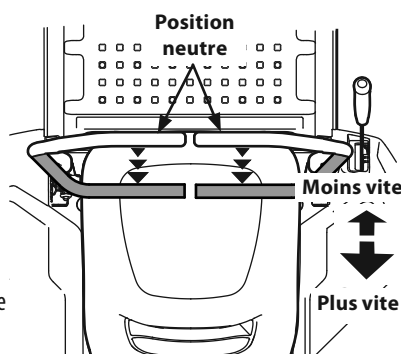


Figure 28

## Virage en marche arrière

Pour effectuer un virage en marche arrière, poussez une barre de conduite vers l'avant et tirez l'autre barre de conduite vers vous, selon le besoin. L'appareil tournera dans la direction de la barre de conduite qui est poussée vers l'avant.

1. Pour tourner à gauche en marche arrière, poussez la barre de conduite gauche vers l'avant et tirez la barre de conduite droite vers vous. Voir Figure 29.

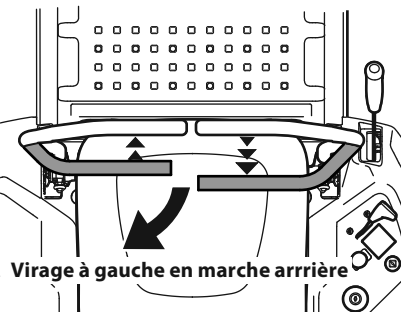


Figure 29

2. Pour tourner à droite en marche arrière, poussez la barre de conduite droite vers l'avant et tirez la barre de conduite gauche vers vous. Voir Figure 30.

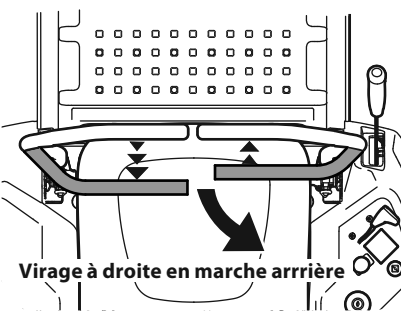


Figure 30

**Plus** la distance entre les barres de conduite est grande, plus le virage sera serré.

3. Pour effectuer un virage à 360 degrés, placez une barre de conduite (celle de la direction du virage) à la position neutre pendant que vous poussez l'autre barre de conduite vers l'arrière.

**Note :** Un virage à 360° risque d'endommager la pelouse.

## Virage à 360 degrés

1. Placez les deux barres de conduite à la position neutre pour empêcher le déplacement de l'appareil en marche avant ou en marche arrière.
2. Pour tourner à droite, poussez la barre de conduite gauche vers l'avant et tirez la barre de conduite droite vers l'arrière. Voir Figure 31.

### Virage à 360° à droite

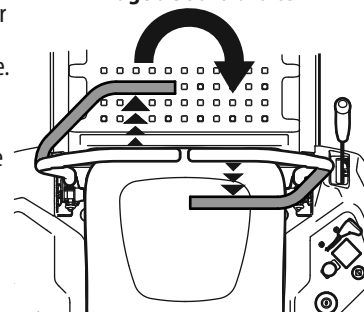


Figure 31

3. Pour tourner à gauche, poussez la barre de conduite droite vers l'avant et tirez la barre de conduite gauche vers l'arrière. Voir Figure 32.

### Virage à 360° à gauche

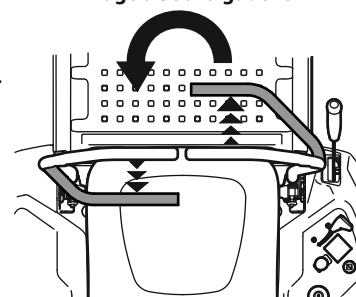


Figure 32

## Arrêt de l'appareil


1. Placez les deux barres de conduite à la position neutre pour immobiliser l'appareil.
2. Débrayez la prise de force.
3. Utilisez le levier de relevage et le bouton pour relever le plateau de coupe à la position la plus haute.
4. Avant de quitter le poste de conduite, placez les barres de conduite à la position neutre, poussez-les vers l'extérieur pour engager le frein de stationnement, placez le levier d'accélérateur à la position RAPIDE (FAST), tournez la clé de contact à la position ARRÊT (STOP) et retirez la clé du commutateur d'allumage et retirez la clé du commutateur d'allumage.


### ⚠ AVERTISSEMENT

Ne quittez pas le poste de conduite sans avoir débrayé la prise de force et poussé les barres de conduite à fond vers l'extérieur pour engager le frein de stationnement. Arrêtez le moteur, tournez la clé de contact à la position ARRÊT (STOP), puis retirez-la si vous laissez l'appareil sans surveillance.

## Embrayage de la prise de force

Lorsque la prise de force est embrayée, la puissance est transférée au plateau de coupe ou à tout autre accessoire (disponible séparément). Pour embrayer la prise de force :

1. Placez le levier d'accélérateur à la position RAPIDE .
2. Tirez le bouton de la prise de force vers le haut à la position embrayée (ON).

**Note :** Assurez-vous que le levier d'accélérateur est toujours à la position RAPIDE . Faites fonctionner l'appareil à plein régime pour éviter de réduire la durée de vie de la batterie et avoir une tonte de qualité.

3. Pour débrayer la prise de force, appuyez sur le bouton de la prise de force (a) à la position débrayée (OFF).

# UTILISATION

## Tonte de l'herbe

### ⚠ AVERTISSEMENT

Pour éviter tout contact avec les lames et toute blessure causée par une projection, ne permettez à personne (en particulier les enfants et les animaux) de s'approcher à moins de 23 mètres (75 pieds). Arrêtez l'appareil si quelqu'un s'approche de la zone de travail.

### ⚠ AVERTISSEMENT

Débarrassez la zone de travail de tout débris, bâton, caillou, fil électrique et de tout autre objet qui peut être projeté par les lames rotatives.

**Note :** N'engagez pas le plateau de coupe lorsqu'il est abaissé sur l'herbe qui n'a pas été coupée. La courroie trapézoïdale et l'embrayage de la prise de force risquent de s'user prématurément. Relevez le plateau de coupe à la plus haute position de coupe ou déplacez l'appareil sur une surface non gazonnée avant de l'engager.

- Tondez perpendiculairement la pente, et non en remontant et en descendant la pente. Lorsque vous tondez une pente, commencez au pied de la pente et travaillez en remontant pour effectuer les virages en montée.
- Ne tondez pas à une vitesse élevée, surtout lorsqu'un kit de déchiquetage ou un sac à herbe est installé.
- Ne coupez pas l'herbe trop court. L'herbe courte encourage la croissance de mauvaises herbes et risque de jaunir plus rapidement durant les périodes sèches.
- Assurez-vous que le levier d'accélérateur est toujours à la position RAPIDE lorsque vous tondez l'herbe.
- Au premier passage, choisissez un point de repère de l'autre côté de la zone à tondre. Suivez ce repère pour vous déplacer en ligne droite.
- Embrayez la prise de force et placez le levier d'accélération ou le levier d'accélération/d'étrangleur à la position RAPIDE.
- Puis, abaissez le plateau de coupe.
- Pour de meilleurs résultats, projetez l'herbe vers le centre de la zone de travail lors des deux premiers passages. Par la suite, changez de direction pour projeter l'herbe vers l'extérieur. Votre pelouse sera plus belle.
- Poussez les barres de conduite lentement et graduellement vers l'avant pour faire avancer l'appareil et dirigez-le vers le point de repère choisi.

**Note :** La vitesse de déplacement de l'appareil aura un effet sur la qualité de la tonte. Travailler à pleine vitesse nuira à la qualité de la tonte. Contrôlez la vitesse de déplacement avec les barres de conduite.

- Cet appareil est conçu pour une utilisation non-professionnelle. Il peut tondre un gazon de 25 centimètres (10 pouces) de haut au maximum. Il n'est pas fait pour tondre les hautes herbes (par ex. dans un pré) ou pour déchiqueter des tas de feuilles mortes. Si des débris végétaux secs s'accumulent sous le plateau de coupe et atteignent le tuyau d'échappement, ils risquent de prendre feu.
- NE tondez PAS les broussailles, les mauvaises herbes ou l'herbe très haute. Cet appareil est conçu pour l'entretien résidentiel de pelouses, et non pour couper les broussailles.
- Assurez-vous que les lames sont bien aiguisées. Remplacez les lames usées ou endommagées.
- Lorsque vous êtes au bout d'un passage, ralentissez ou arrêtez complètement l'appareil avant d'effectuer le virage. Effectuez un demi-tour, à moins qu'un virage à 360 degrés soit nécessaire.
- Alignez l'appareil sur le passage précédent et chevauchez ce passage sur environ 7,6 centimètres (3 pouces).
- Continuez à travailler en alignant l'appareil sur chaque passage précédent.
- Pour éviter la formation de sillons, changez la direction de tonte de 45 degrés à chaque tonte ultérieure.

Si, pour une raison quelconque, vous devez immobiliser l'appareil sur une surface gazonnée, procédez toujours comme suit :

- Poussez les deux barres de conduite à fond vers l'extérieur pour engager le frein de stationnement.
- Arrêtez le moteur et retirez la clé de contact.
- Vous minimiserez ainsi le risque de brûler la pelouse avec les gaz d'échappement du moteur en marche.

# ENTRETIEN ET RÉGLAGES

## CALENDRIER D'ENTRETIEN

### AVERTISSEMENT

Avant d'effectuer tout travail d'entretien, désengagez toutes les commandes, arrêtez le moteur et attendez l'arrêt complet des pièces mobiles. Débranchez le fil de bougie et mettez-le à la masse contre le moteur pour empêcher ce dernier de démarrer. Portez des lunettes de sécurité pour utiliser votre appareil ou pour effectuer des réglages ou des réparations.

Respectez le calendrier ci-dessous. Ce tableau décrit seulement des directives générales d'entretien. Utilisez la colonne Journal d'entretien pour faire le suivi des entretiens.

Consultez la notice d'utilisation du moteur pour toutes les instructions sur l'entretien des éléments du moteur ci-dessous.

	Avant chaque utilisation	Après les 5 premières heures	Toutes les 10 heures	Toutes les 25 heures	Toutes les 50 heures	Toutes les 100 heures	Toutes les 200 heures	Avant le remisage	Voir la notice du moteur
Vérifiez/nettoyez la grille d'entrée d'air du moteur et les ailettes de refroidissement #	✓							✓	
Vérifiez/nettoyez le collecteur d'échappement, le tuyau d'échappement et les pare-chaleurs du silencieux #	✓							✓	
Vérifiez/nettoyez le dessus et le dessous du plateau de coupe, le dessous des couvercles de fusée et la zone autour des courroies #	✓							✓	
Vérifiez/nettoyez la zone autour des fusibles, du câblage électrique et des faisceaux #	✓							✓	
Vérifiez/nettoyez les essieux ainsi que la zone autour de la transmission et du ventilateur #	✓							✓	
Vérifiez/ajoutez/changez le fluide de la transmission selon le besoin							✓		
Vérifiez si les composants du filtre à air sont souillés, desserrés ou endommagés	✓								
Vérifiez le niveau d'huile à moteur	✓								
Nettoyez les bornes de la batterie			✓					✓	
Graissez tous les points de lubrification			✓					✓	
Vérifiez/nettoyez la grille d'entrée d'air du moteur			✓					✓	
Vérifiez les lames et aiguissez-les ou remplacez-les au besoin			✓					✓	
Vérifiez la pression des pneus			✓					✓	
Vérifiez/nettoyez le dessous du plateau de coupe			✓						
Vérifiez le système de verrouillage de sécurité			✓					✓	
Vérifiez le matériel ROPS et la ceinture de sécurité			✓					✓	
Vérifier le temps d'arrêt des lames			✓					✓	
Inspectez et lubrifiez les roues du plateau de coupe				✓				✓	
Vérifiez si le plateau de coupe est de niveau				✓				✓	
Vérifiez si les courroies et les poulies sont endommagées ou usées					✓				
Vérifiez que la quincaillerie est bien fixée						✓			
Vérifiez le serrage du boulon de montage du moteur (Serrez à un couple de 37-50 N m (325-450 po-lb))		✓			✓			✓	✓
Vérifiez le serrage du boulon de la lame (Serrez à un couple de 95-122 N m (70-90 pi-lb))		✓			✓			✓	
Vérifiez l'état et l'écartement de la bougie d'allumage						✓		✓	✓
Changez l'huile à moteur (après la période de rodage)		✓							✓
Changez l'huile à moteur					✓			✓	✓
Vérifiez le système d'alimentation (conduits, réservoir, bouchon et raccords)		✓			✓			✓	✓
Vérifiez le pare-étincelles		✓			✓			✓	✓
Remplacez le filtre à huile					✓			✓	✓
Nettoyez ou remplacez le filtre à air					✓				✓
Remplacez le filtre à carburant					✓				✓
Vérifiez et ajustez les soupapes *									✓

\* -- Cet entretien doit être effectué par un centre de service agréé.

# -- Vérifiez et nettoyez plus fréquemment en cas d'utilisation dans des environnements poussiéreux et après le déchiquetage.

# ENTRETIEN ET RÉGLAGES

**Note :** Ce manuel est commun à plusieurs modèles. Les caractéristiques peuvent varier selon le modèle. Certaines caractéristiques décrites dans ce manuel peuvent ne pas s'appliquer à tous les modèles. Votre appareil peut différer du modèle illustré.

## Entretien de la tondeuse après son utilisation

Après chaque utilisation, consultez le calendrier d'entretien de ce manuel et suivez les procédures d'entretien pour garder votre appareil en bon état de fonctionnement.

### ⚠ AVERTISSEMENT

Le non-respect de ces instructions peut entraîner de graves blessures et endommager l'appareil.

## Nettoyage de l'appareil

### ⚠ AVERTISSEMENT

Lorsque l'appareil vient d'être utilisé, les surfaces en métal, le moteur et le silencieux sont brûlants. Attendez au moins cinq minutes avant de procéder, sinon vous risquez de vous brûler. Soyez très prudent pour éviter les brûlures.

L'appareil doit être nettoyé après chaque utilisation et un nettoyage supplémentaire peut être nécessaire dans certaines conditions, lors de sécheresse ou après le déchiquetage.

Enlevez régulièrement les accumulations de débris sous l'appareil pour maintenir son bon fonctionnement et pour réduire les risques d'incendie. Suivez les instructions ci-dessous et communiquez avec votre concessionnaire agréé si vous avez des questions.

- Laissez refroidir l'appareil dans une aire ouverte avant de le nettoyer.

**Note :** Il n'est pas conseillé d'utiliser une laveuse à pression ou un tuyau d'arrosage pour nettoyer la tondeuse sauf pour nettoyer le dessous du plateau. Les composants électriques, les fusées, les poulies, les roulements ou le moteur peuvent être endommagés. Le nettoyage à l'eau réduit la durée de vie et la performance de l'appareil.

- Nettoyez autour des fusibles, les deux côtés des ailettes de refroidissement des transmissions, le collecteur d'échappement, le câblage électrique et les faisceaux, le tuyau du silencieux, le pare-chaleur du silencieux, les grilles d'entrée d'air du moteur et les ailettes de refroidissement, entre autres. Voir Figure 33.
- Nettoyez la partie supérieure du plateau de coupe, la partie sous le couvercle des fusées et la partie autour des courroies. Voir Figure 34.

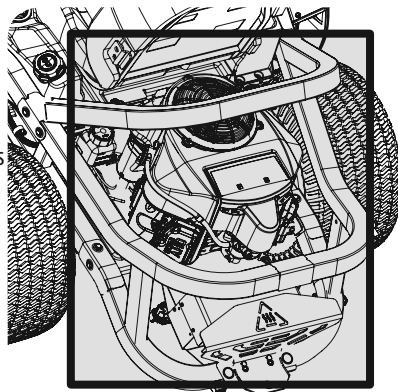


Figure 33

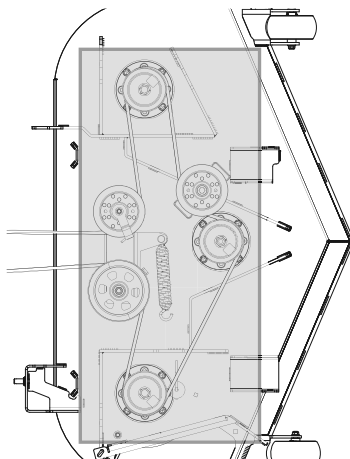
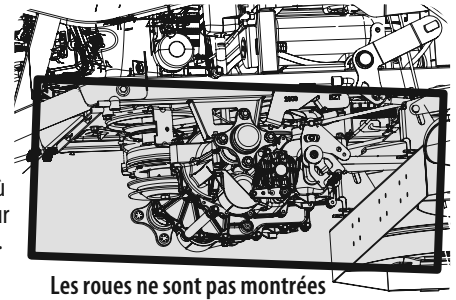


Figure 34

- Gardez l'essieu ainsi que la partie autour de la transmission et du ventilateur propres. Voir Figure 35.
- Les débris peuvent s'accumuler n'importe où sur le tracteur, surtout sur les surfaces horizontales. Un nettoyage supplémentaire peut être nécessaire après le déchiquetage ou dans des conditions de sécheresse.



Les roues ne sont pas montrées

Figure 35

- Les débris peuvent s'accumuler en cas de fuites de carburant, d'huile ou d'excédent de lubrifiant. Faites immédiatement les réparations et nettoyez l'huile et l'essence répandues pour réduire les risques d'incendie.
- Nettoyez l'appareil après chaque utilisation et avant le remisage. De plus, ne coupez pas l'herbe très haute (mesurant 25,4 centimètres (10 pouces) ou plus), l'herbe sèche (par exemple, le pâturage), ou les tas de feuilles sèches. Si des débris végétaux secs s'accumulent sous le plateau de coupe et atteignent le tuyau d'échappement, ils risquent de prendre feu.

## Remisage de l'appareil

- Laissez refroidir l'appareil dans une aire ouverte avant de le ranger.
- Ne remisez pas l'appareil près de matières inflammables (bois, vêtements ou produits chimiques), de flammes nues ou des sources d'inflammation (chaudière, chauffe-eau ou élément chauffant).
- Retirez les matières combustibles de l'appareil avant de l'entreposer. Videz les bacs récupérateurs ou les contenants.
- Si l'appareil est doté d'une soupape d'arrêt, fermez-la toujours avant de transporter ou de remiser l'appareil.
- Vérifiez régulièrement le système d'alimentation (les conduits, le réservoir, le bouchon et les raccords), selon le calendrier d'entretien, pour déceler les fissures et les fuites. Effectuez les réparations nécessaires et nettoyez au besoin.

## Entretien

### Retrait du panneau du plancher

#### ⚠ AVERTISSEMENT

N'utilisez pas la tondeuse sans le panneau du plancher.

Pour certains modèles, le panneau du plancher peut être retiré pour l'entretien, la réparation et le nettoyage. Pour enlever le panneau du plancher :

1. Soulevez avec précaution la partie arrière du panneau. Voir Figure 36 (1).
2. Glissez le panneau vers l'arrière pour faire sortir la partie avant. Voir Figure 36 (2).
3. Puis, soulevez le panneau pour le retirer. Voir Figure 36 (3).
4. Pour replacer le panneau, insérez les pattes de la partie avant et abaissez la partie arrière.

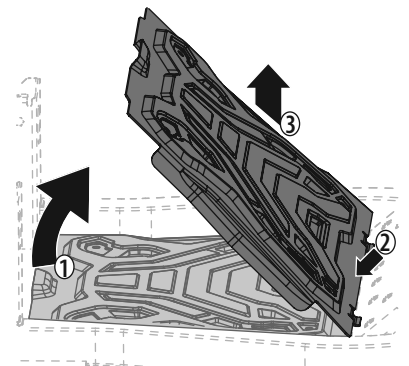


Figure 36

# ENTRETIEN ET RÉGLAGES

## Moteur

### ⚠ AVERTISSEMENT

Laissez refroidir l'appareil dans une aire ouverte avant de le ranger ou de faire le plein.

Consultez la notice d'utilisation du moteur pour les instructions et les procédures d'entretien du moteur.

**Note :** L'entretien, la réparation et le remplacement des dispositifs et des systèmes anti-pollution qui ne sont pas couverts par la garantie (aux frais du propriétaire) peuvent être effectués par n'importe qui. Les réparations dans le cadre de la garantie doivent être effectuées dans un centre de service agréé.

## Changement de l'huile à moteur

### ⚠ AVERTISSEMENT

Lorsque l'appareil vient d'être utilisé, les surfaces en métal, le moteur et le silencieux sont brûlants. Attendez au moins cinq minutes avant de procéder, sinon vous risquez de vous brûler. Soyez très prudent pour éviter les brûlures.

**Note :** Le filtre à huile doit être remplacé à chaque changement d'huile.

Procédez comme suit pour effectuer un changement d'huile :

1. Repérez le boyau de vidange d'huile (a) sur le côté du moteur.
2. Placez un récipient adéquat d'une capacité minimum de 2,37 l (2,5 quarts) sous l'extrémité du boyau de vidange d'huile pour recueillir l'huile usée. Enlevez le bouchon de remplissage et la jauge d'huile (b) du tube de remplissage d'huile.

3. Tenez l'extrémité libre du boyau de vidange d'huile au-dessus du récipient collecteur, puis dévissez le bouchon à tête carrée (c) du boyau de vidange d'huile. Voir Figure 37. Vidangez l'huile du moteur dans le récipient.

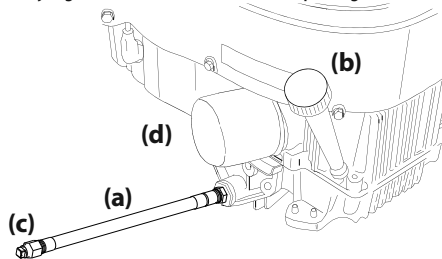


Figure 37

4. Après avoir vidangé l'huile, essuyez l'excédent d'huile du boyau de vidange. Vissez le bouchon à tête carrée sur le raccord du boyau de vidange d'huile et serrez le bouchon à un couple de 22 N m (16 pi-lb).
5. Retirez le filtre à huile et laissez l'huile s'écouler dans le récipient.
6. Remplacez le filtre à huile (d) et remplissez le moteur avec de l'huile neuve selon les instructions de la notice d'utilisation du moteur.

**Note :** Placez un chiffon absorbant sous le filtre à huile pour éviter de salir l'embrayage.

**Note :** Respectez la législation sur l'élimination des déchets liquides (essence, huile, etc.) afin de préserver l'environnement.

**Note :** L'entretien, la réparation et le remplacement des dispositifs et des systèmes anti-pollution qui ne sont pas couverts par la garantie (aux frais du propriétaire) peuvent être effectués par n'importe qui. Les réparations dans le cadre de la garantie doivent être effectuées dans un centre de service agréé.

## Lubrification

### ⚠ AVERTISSEMENT

Avant de lubrifier, de réparer ou d'inspecter l'appareil, débrayez toujours la prise de force, engagez le frein de stationnement, arrêtez le moteur et retirez la clé de contact afin d'empêcher un démarrage accidentel.

- Lubrifiez tous les points de pivotement avec une huile de graissage de qualité. Consultez le calendrier d'entretien de ce manuel pour des renseignements sur l'entretien de l'appareil.

## Entretien du pare-étincelles (le cas échéant)

Le pare-étincelles doit être retiré, inspecté et nettoyé régulièrement. Consultez le calendrier d'entretien à cet effet. Inspectez visuellement la grille pour vous assurer qu'il n'y a pas de déchirures, de fils sectionnés ou des ruptures de soudure. Si tel est le cas, remplacez le pare-étincelles. Si la grille est en bon état, brossez-le pour enlever la poussière et les particules de carbone.

## Pneus

Gardez les pneus gonflés aux pressions recommandées. Une pression inadéquate réduit la durée de vie des pneus. La pression recommandée est indiquée sur le flanc du pneu. Consultez le calendrier d'entretien de ce manuel pour des renseignements sur l'entretien de l'appareil.

Suivez les conseils ci-dessous :

- Ne gonflez pas un pneu à une pression supérieure à celle indiquée sur le flanc du pneu.
- Ne regonflez pas un pneu qui a roulé à plat ou un pneu très sous gonflé. Faites examiner le pneu par un mécanicien qualifié.

## Transmission hydrostatique

Votre tondeuse à rayon de braquage zéro est équipée de deux transmissions hydrostatiques. Certains modèles sont dotés d'un réservoir d'expansion de l'huile de transmission. Dans des conditions normales de fonctionnement, vous n'avez pas à vérifier le niveau d'huile ni à ajouter de l'huile.

## Vérification et ajout de l'huile de transmission

### ⚠ AVERTISSEMENT

Vérifiez le niveau d'huile AVANT de démarrer l'appareil, c'est-à-dire lorsque l'huile de la transmission est froide.

1. Nettoyez le bouchon du réservoir et la zone autour du bouchon pour que les débris ne contaminent pas l'huile. Voir Figure 38.

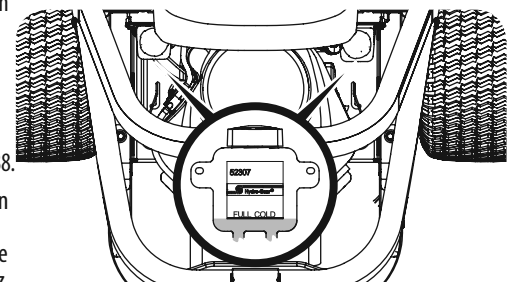


Figure 38

2. Tournez le bouchon dans le sens anti-horaire pour le retirer, puis vérifiez le niveau d'huile. Il doit y avoir de l'huile au fond de la cuvette, cependant le niveau d'huile NE doit PAS dépasser la marque PLEIN FROID (FULL COLD). Voir Figure 38. NE REMPLISSEZ PAS CE RÉSERVOIR.
3. S'il est nécessaire d'ajouter de l'huile en raison d'une fuite, ajoutez de l'huile 20W50 dans le réservoir jusqu'à ce que le niveau d'huile soit à la marque PLEIN FROID (FULL COLD). Remplacez le bouchon et serrez-le bien.

**Note :** Avant la première utilisation, le niveau d'huile dans le réservoir peut dépasser le niveau maximal en raison de la présence d'air dans les boyaux. Lorsque l'appareil est utilisé, l'air se dégagera des boyaux et le niveau d'huile reviendra au niveau maximal.

4. Répétez l'opération pour l'autre transmission.

## Changement de l'huile de transmission et du filtre (le cas échéant)

**Note :** Consultez le calendrier d'entretien de ce manuel pour des renseignements sur l'entretien de l'appareil.

Pour changer l'huile de la transmission :

1. Retirez le bouchon du réservoir d'expansion de l'huile de la transmission. Voir Figure 38.
2. Retirez les trois vis (a) et le protecteur du filtre (b). Enlevez les débris autour du filtre (c). Voir Figure 39.
3. Placez un récipient de 7,6 litres (8 quarts) sous le filtre.
4. Retirez le filtre à huile.



# ENTRETIEN ET RÉGLAGES

5. Après avoir vidangé l'huile, essuyez la base du filtre et huilez-la légèrement.

6. Installer le nouveau filtre.

7. Remplacez le protecteur du filtre.

8. Retirez le bouchon (d) sur la transmission pour que l'air se dégage lorsque l'huile est ajoutée. Voir Figure 39.

9. Ajoutez lentement de l'huile 20W50 dans la transmission jusqu'à ce que l'huile soit au bord de l'ouverture des transmissions.

10. Remplacez le bouchon. Serrez-le à un couple de 20,3 N M (180 po-lb) et continuez d'ajouter de l'huile jusqu'à la marque PLEIN FROID (FULL COLD).

11. Remplacez le bouchon du réservoir et serrez-le bien.

12. Répétez l'opération pour l'autre transmission.

13. Lorsque vous effectuez un changement d'huile, vous devez purger la transmission pour évacuer l'air. Assurez-vous que les roues arrière de la tondeuse ne touchent pas le sol quand vous effectuez cette manœuvre. Travaillez dans un endroit sans objet et sans passant. Pour évacuer l'air :

- Désengagez le frein, ouvrez la soupape de dérivation et démarrez le tracteur.
- Faites avancer et reculer l'appareil de 5 à 6 fois.
- Fermez la soupape de dérivation.
- Faites avancer et reculer l'appareil de 5 à 6 fois.
- Vérifiez le niveau d'huile et ajoutez-en au besoin.
- Répétez les étapes a à c jusqu'à ce que les roues tournent sans bruit anormal.

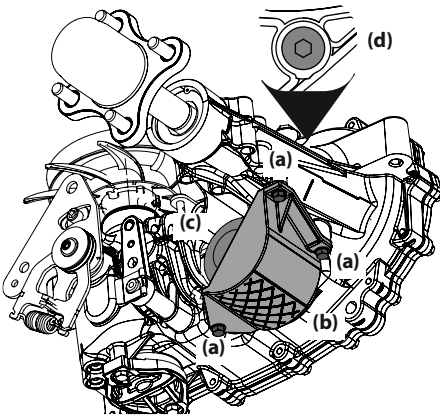


Figure 39

c. Vidangez le système d'alimentation si l'appareil est remis pour plus de 90 jours :

- Avant de remiser l'appareil, assurez-vous de vider le réservoir.
- Faites fonctionner le moteur jusqu'à ce qu'il cale. Utilisez l'étrangleur pour faire fonctionner le moteur jusqu'à ce que le réservoir d'essence soit vide.
- Consultez la notice d'utilisation du moteur pour les instructions sur la vidange d'essence.

3. Nettoyez bien le moteur et l'appareil.

**Note :** Il n'est pas conseillé d'utiliser une laveuse à pression ou un boyau de jardinage pour nettoyer la tondeuse sauf pour nettoyer le dessous du plateau. Les composants électriques, les fusées, les poulies, les roulements ou le moteur peuvent être endommagés. Le nettoyage à l'eau réduit la durée de vie et la performance de l'appareil.

4. Nettoyez et rechargez la batterie. Débranchez le câble négatif de la batterie pour empêcher sa décharge. Rechargez la batterie régulièrement pendant le remisage.

**Note :** Retirez la batterie de l'appareil si elle est exposée à des températures inférieures à zéro pendant de longues périodes. Rangez la batterie dans un endroit frais et sec où la température ambiante est supérieure à zéro.

5. Lubrifiez tous les points de lubrification.

## Remise en service de l'appareil

- Vérifiez l'huile à moteur.
- Chargez la batterie. Gonflez les pneus à la pression recommandée. La pression recommandée est indiquée sur le flanc du pneu.
- Remplissez le réservoir avec de l'essence fraîche et propre.
- Démarrez le moteur et laissez-le tourner pendant quelques minutes pour vous assurer qu'il fonctionne correctement.
- Conduisez l'appareil sans aucune charge pour vous assurer que tous les systèmes fonctionnent correctement.

## Réglages

### Réglage de la pédale de levage du plateau

La pédale peut être ajustée selon les préférences de l'opérateur.

- Placez le plateau de coupe en position de transport.
- Retirez le boulon hexagonal, la rondelle et l'écrou hexagonal près du centre de la pédale. Voir Figure 40.
- Positionnez la pédale sur la position optimale en fonction des préférences de l'opérateur.
- Réinstallez le matériel précédemment retiré et serrez l'écrou à 28-35 N-m (28-35 lb-pi). Voir Figure 41.

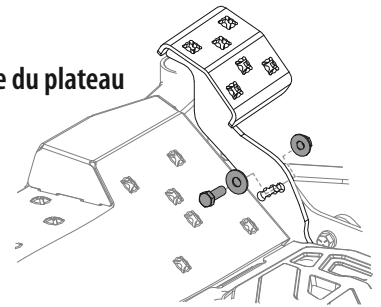


Figure 40

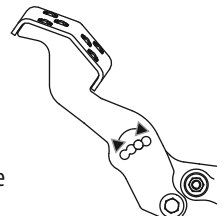


Figure 41

### Mise à niveau du plateau de coupe

Si le plateau de coupe tond de manière inégale, effectuez un réglage du plateau de coupe.

## ⚠ AVERTISSEMENT

Lorsque l'appareil vient d'être utilisé, les surfaces en métal, le moteur et le silencieux sont brûlants. Attendez au moins cinq minutes avant de procéder, sinon vous risquez de vous brûler. Soyez très prudent pour éviter les brûlures.

## Remisage pendant l'hiver

Si vous n'utilisez pas l'appareil pendant une longue période (pendant plus de trente jours), préparez-le pour le remisage. Remisez l'appareil dans un endroit sec et bien protégé. Pour le remisage à l'extérieur, couvrez l'appareil (y compris les pneus) pour le protéger des intempéries. Procédez comme suit pour remiser l'appareil :

1. Changez l'huile à moteur et remplacez le filtre en suivant les instructions fournies dans la notice d'utilisation du moteur.

## ⚠ AVERTISSEMENT

Ne remisez jamais l'appareil avec de l'essence dans un endroit mal aéré ou à l'intérieur car les vapeurs d'essence pourraient entrer en contact avec une flamme nue, une étincelle ou une veilleuse d'allumage comme celle d'une chaudière, d'un chauffe-eau, d'une sècheuse, etc.

2. Si l'appareil est remis pendant 30 jours ou plus :

- Pour éviter le mauvais fonctionnement du moteur et la formation de dépôts gommeux dans le carburateur, vidangez complètement le système d'alimentation ou ajoutez un stabilisateur à l'essence.
- Utilisez un stabilisateur lorsque l'appareil est remis pour une période de 30 à 90 jours :
  - Lisez les instructions et les recommandations du fabricant du produit.
  - Ajoutez la quantité adéquate de stabilisateur à l'essence propre et fraîche en fonction de la capacité (environ 5 gallons) du système d'alimentation.
  - Remplissez le réservoir avec l'essence traitée et faites fonctionner le moteur pendant deux à trois minutes pour que l'essence se répande dans le carburateur.
  - Pendant le remisage, l'essence dans le réservoir risque de se détériorer et de causer de graves problèmes de démarrage.

# ENTRETIEN ET RÉGLAGES

## Mise à niveau latérale du plateau de coupe

1. Stationnez la tondeuse sur une surface plane.
2. Assurez-vous que la pression des pneus est adéquate.
3. Placez le levier de relevage du plateau de coupe ou le bouton dans la position centrale. Faites pivoter les deux lames de façon à ce qu'elles soient perpendiculaires à l'appareil.
4. Mesurez la distance entre l'extrémité extérieure de la lame gauche et le sol ainsi que la distance entre l'extrémité extérieure de la lame droite et le sol. Les deux mesures doivent être égales. Si elles ne le sont pas, passez à l'étape suivante.

5. Les écrous de réglage sont sur les tiges de relevage du plateau de coupe de chaque côté de la tondeuse. Un écrou est placé sur chaque côté avant du plateau, entre la plateforme et le tube inférieur du châssis. Un écrou se trouve sur chaque côté arrière du plateau, près du devant de la roue arrière. Voir Figure 42.

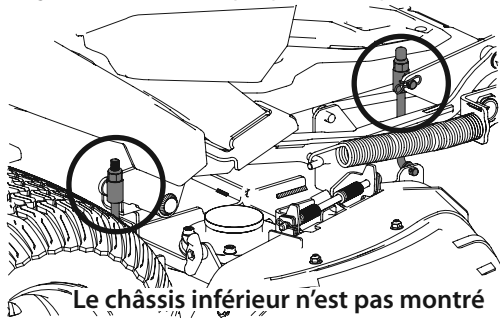


Figure 42

6. Retirez le capuchon des tiges de relevage avant du plateau et gardez-les pour utilisation ultérieure.
7. Tournez l'écrou à gauche (avant et arrière) ou l'écrou à droite (avant et arrière) vers la droite pour relever le plateau de coupe ou vers la gauche pour l'abaisser, selon le besoin.

**Note :** Effectuez le réglage en tournant l'écrou d'un quart de tour à la fois. Puis, mesurez la distance de la pointe de la lame des deux côtés à chaque fois.

## Mise à niveau de l'avant à l'arrière

L'avant du plateau de coupe doit être de 3-9 mm (1/8-3/8 po) plus bas que l'arrière. Si nécessaire, effectuez le réglage comme suit :

1. Stationnez l'appareil sur une surface plane et solide. Placez le bouton de réglage du plateau de coupe dans la position centrale.
2. Assurez-vous que la pression des pneus est adéquate.
3. Vérifiez que le plateau de coupe est de niveau latéralement.
4. Faites pivoter la lame la plus proche du déflecteur d'éjection de façon à ce qu'elle soit parallèle à l'appareil.
5. Mesurez la distance entre l'extrémité avant de la lame et le sol ainsi que la distance entre l'extrémité arrière de la lame et le sol. La distance entre l'extrémité avant et le sol doit être de 3-9 mm (1/8-3/8 po) inférieure à la distance entre l'extrémité arrière et le sol.
6. Déterminez la distance approximative nécessaire pour assurer le réglage approprié du plateau de coupe, puis passez à l'étape suivante, si nécessaire.

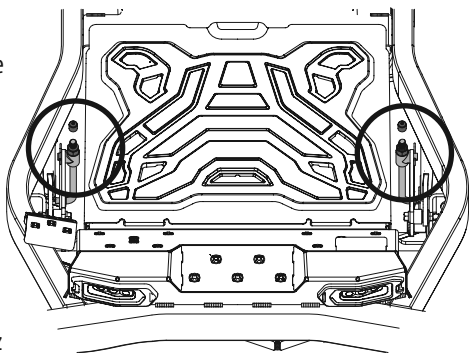


Figure 43

- a. Retirez le capuchon des tiges de relevage avant du plateau et gardez-les pour utilisation ultérieure. Voir Figure 43.

- b. Tournez les écrous avant vers la droite pour relever le plateau de coupe ou vers la gauche pour l'abaisser. Voir Figure 36.

**Note :** Effectuez le réglage en tournant l'écrou d'un quart de tour à la fois. Puis, mesurez la distance de la pointe de la lame de l'avant à l'arrière. Répétez l'opération jusqu'à ce que le plateau soit bien ajusté.

- c. Remplacez le capuchon des tiges de relevage.

## Réglage des roues du plateau de coupe

### ⚠ AVERTISSEMENT

Gardez vos mains et vos pieds loin de l'ouverture d'éjection du plateau de coupe.

**Note :** Les roues du plateau de coupe préviennent le dégazonnement de la pelouse et ne sont pas conçues pour soutenir le plateau de coupe. Lorsque vous ajustez la hauteur du plateau de coupe, réglez également les roues pour qu'elles soient de 6,35 mm à 12,7 mm (1/4 po à 1/2 po) du sol. Consultez la section Assemblage et montage pour plus d'instructions sur le réglage des roues du plateau de coupe.

## Synchronisation des barres de conduite

Lorsque les deux barres de conduite sont poussées à fond vers l'avant à la position rapide et que l'appareil tire d'un côté plus que de l'autre, il est nécessaire de régler les barres de conduite pour synchroniser la vitesse des roues. Procédez comme suit pour régler les barres de conduite :

1. Déterminez si la tondeuse tire plus du côté gauche ou du côté droit, puis ajustez la barre de conduite opposée. Si l'appareil tire vers la droite, ajustez la barre de conduite gauche vers le bas (pour réduire la vitesse) et vice versa.
2. Repérez les boulons de réglage (a) des barres de conduite à l'avant du châssis du siège. Voir Figure 44.

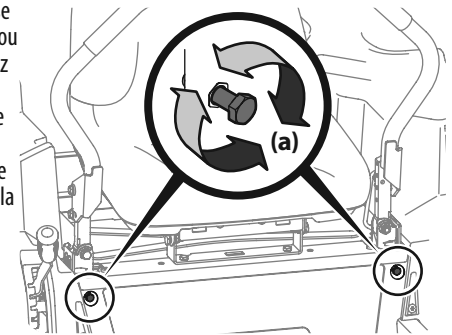


Figure 44

- Note :** Vous pouvez utiliser l'outil multifonction (si fourni) pour effectuer ce réglage.
3. Pour réduire la vitesse en marche avant, tournez les boulons de réglage (a) vers la droite. Pour augmenter la vitesse en marche avant, tournez les boulons de réglage (a) vers la gauche. Tournez les boulons de réglage (a) des barres de conduite dans la direction nécessaire d'un quart de tour à la fois. Après avoir ajusté les boulons de réglage (a), conduisez l'appareil pour vérifier le réglage.
4. Ajustez les barres de conduite jusqu'à ce que les roues soient synchronisées et vérifiez que l'appareil se déplace en ligne droite lorsque les barres de conduite sont poussées à fond vers l'avant à la position RAPIDE.

**Note :** Le bout des boulons doit dépasser les écrous du châssis pour activer le verrouillage.

## Entretien

### Système électrique

Un fusible est installé dans le câblage électrique pour protéger le système électrique de l'appareil contre tout dommage causé par une intensité trop élevée. Remplacez toujours un fusible par un autre fusible de même intensité. Si le système électrique ne fonctionne pas, vérifiez si le fusible a sauté.

En cas de problème récurrent de fusible sauté, faites examiner le système électrique dans un centre de service agréé.

### Relais et interrupteurs

Des interrupteurs de sécurité sont installés dans le système électrique. Si le système de verrouillage de sécurité ne fonctionne pas, faites examiner le système électrique dans un centre de service agréé.

# ENTRETIEN ET RÉGLAGES

## Réglage du frein de stationnement

Si l'appareil ne s'immobilise pas complètement lorsque les barres de conduite sont placées à fond vers l'extérieur à la position neutre, ou si les roues arrière tournent alors que le frein de stationnement est engagé (et la soupape de dérivation hydrostatique est ouverte), il est nécessaire de régler le frein. Contactez un centre de service agréé pour faire ajuster le frein.

## Démontage du plateau de coupe

Procédez comme suit pour démonter le plateau de coupe :

1. Stationnez l'appareil sur une surface plate, débrayez la prise de force, arrêtez le moteur et poussez les barres de conduite à fond vers l'extérieur pour engager le frein de stationnement.
2. Il y a deux méthodes pour enlever la courroie. Passez à l'étape 3 pour la retirer en réduisant la tension ou passez à l'étape 4 pour la retirer en la faisant sortir de sa poulie.

### ⚠ AVERTISSEMENT

Faites attention de ne pas pincer vos doigts lorsque vous retirez la courroie de la poulie.

3. Pour réduire la tension :

- a. À l'aide du pédale de relevage et du bouton, positionnez le plateau de façon à ce que la courroie qui passe entre les poulies de tension et la poulie de la prise de force soit aussi horizontale que possible.
- b. Décrochez le ressort de la poulie du crochet sur le côté droit du milieu du plateau. Voir Figure 45.

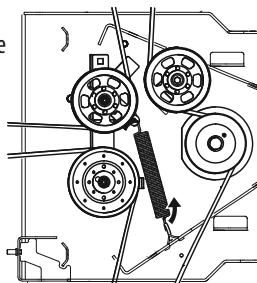


Figure 45

4. Pour retirer la courroie de la poulie de la prise de force :

- a. Positionnez le plateau de façon à ce que la courroie qui passe entre les poulies de tension et la poulie de la prise de force, soit aussi horizontale que possible (sous le moteur).
- b. Placez-vous à l'arrière de l'appareil en faisant face vers l'avant. Tendez le bras pour saisir la courroie devant la poulie de la prise de force.
- c. Tirez le côté gauche de la courroie vers l'arrière et vers le bas tout en tournant manuellement la poulie de la prise de force vers la droite jusqu'à ce que la courroie sorte de la gorge inférieure de la poulie.

**Note :** Si vous tirez sur le côté droit de la courroie, tournez la poulie de la prise de force vers la gauche.

- d. Maintenez la courroie de la prise de force (a) vers le bas et continuez de tourner la poulie de la prise de force (b) jusqu'à ce que la courroie de la prise de force (a) soit complètement dégagée de la poulie de la prise de force (b). Voir Figure 46.

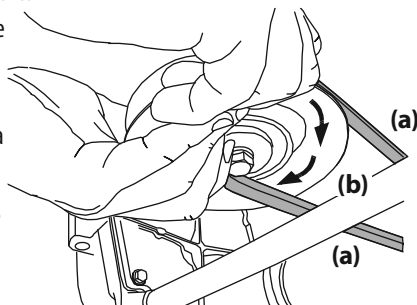


Figure 46

- e. Abaissez le plateau de coupe au maximum.

### ⚠ AVERTISSEMENT

Le système de relevage est doté d'un ressort qui est sous tension. Vous pouvez être blessé si le système de relevage est relâché brusquement. Vous devez utiliser l'outil multifonction pour placer le système de relevage à la position verrouillée. N'utilisez pas la pédale de relevage lorsque le système de relevage est verrouillé avec l'outil multifonction.

5. La pédale de relevage et le bouton de réglage doivent être utilisés pour placer le plateau à la position la plus basse. L'outil multifonction est utilisé pour verrouiller le système de relevage. Il y a deux trous près de la roue arrière gauche de la tondeuse (un sur le châssis et l'autre sur le bras de relevage du plateau). Voir Figure 47. L'outil doit être bien inséré pour que le bras de relevage soit bien fixé au châssis.

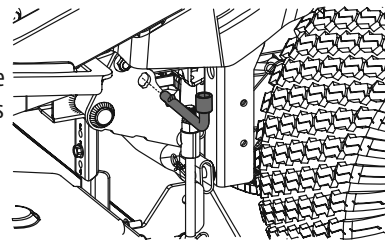


Figure 47

6. Retirez les deux goupilles fendues des tiges fixant les supports de relevage au milieu sur le devant du châssis aux supports du plateau. Tirez l'extrémité avant des tiges. Voir Figure 48.

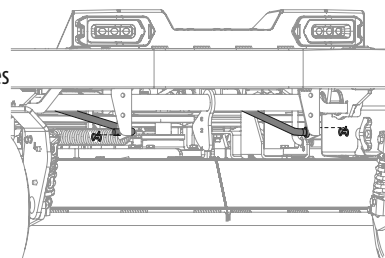


Figure 48

7. Enlevez la barre stabilisatrice de l'arrière du plateau comme suit :

- a. Retirez la goupille fendue sur le côté droit de la barre qui la retient au support du châssis. Voir Figure 49.
- b. Enlevez la goupille fendue sur le côté gauche de la barre qui la retient au support du châssis. Voir Figure 50.

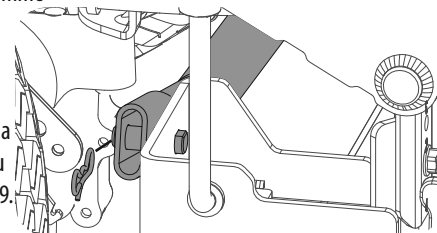


Figure 49

8. Retirez la goupille de l'axe de chape de chaque tige de réglage. Une tige est placée de chaque côté avant du plateau et de chaque côté arrière. La Figure 51 présente le côté gauche du plateau.

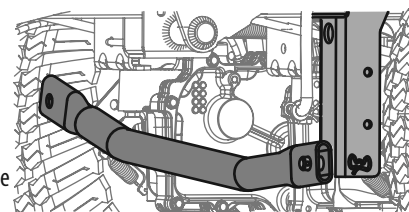


Figure 50

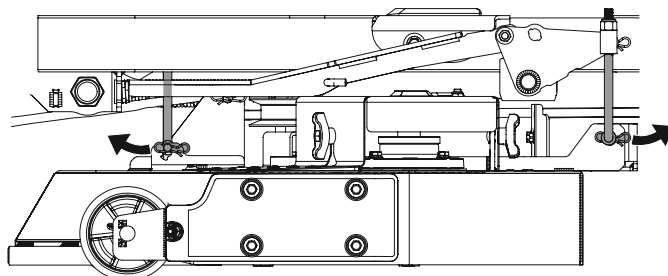


Figure 51

9. Faites glisser le plateau de coupe du dessous de la tondeuse.

# ENTRETIEN ET RÉGLAGES

## Installation du plateau de coupe

Procédez comme suit pour installer le plateau de coupe :

1. Faites glisser avec précaution le plateau sous le côté droit de l'appareil en prenant soin d'aligner les tiges de relevage retirées auparavant avec leurs supports sur le plateau.
2. Après avoir installé le plateau, placez-le à la position de tonte la plus basse.  
**Note :** Pour bien aligner les supports, il est parfois nécessaire de placer un petit bloc de bois sous chaque côté du plateau de coupe.
3. Remplacez la quincaillerie dans l'ordre inverse du démontage du plateau.
  - a. Installez chaque tige retirée à l'étape 8 à l'extrémité des axes de chape et fixez-les avec les goupilles.
  - b. Remettez en place la barre stabilisatrice à l'arrière du plateau. Utilisez les goupilles fendues pour retenir le côté gauche au châssis et le côté droit au plateau.
  - c. Remplacez les tiges de relevage avant dans leurs supports et fixez-les avec les goupilles fendues retirées auparavant.
4. Assurez-vous que la courroie en « V » est bien placée sur les poulies de fusée.
5. Le dos de la courroie doit s'appuyer contre la poulie fixe et la poulie mobile. Remplacez toute la quincaillerie retirée ou resserrez la quincaillerie dévissée lorsque le plateau a été retiré.
6. Faites passer la courroie vers l'arrière, sous le châssis de l'appareil, au-dessus des tubes de transmission, puis vers la poulie de la prise de force sous le moteur.
7. À l'aide du levier de relevage du plateau de coupe, positionnez le plateau de façon que la courroie placée entre les poulies de tension et la poulie de la prise de force soit aussi horizontale que possible sous le moteur.
8. Placez-vous à l'arrière de l'appareil en faisant face vers l'avant. Vérifiez que la courroie n'est pas entortillée. Tendez le bras pour saisir la courroie, puis tirez la courroie vers la poulie de la prise de force.

### ⚠ AVERTISSEMENT

Faites attention de ne pas pincer vos doigts lorsque vous installez la courroie de la poulie.

9. Tirez le côté droit de la courroie et placez le côté plus étroit en forme de « V » de la courroie de la prise de force dans la poulie de la prise de force. Voir Figure 52.
10. Tenez la courroie de la prise de force et la poulie, puis tournez la poulie vers la gauche. Voir Figure 46. Continuez à tenir et à tourner la poulie et la courroie de la prise de force jusqu'à ce que la courroie soit complètement enroulée autour de la poulie de la prise de force.  
**Note :** Avant d'utiliser l'appareil, vérifiez que la courroie est correctement installée.
11. Vérifiez si le plateau de coupe est de niveau. Ajustez le réglage au besoin.

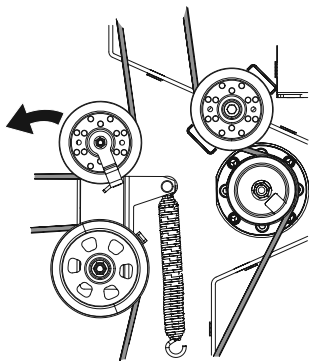


Figure 52

## Remplacement de la courroie du plateau de coupe

1. Démontez le plateau de coupe (voir Démontage du plateau de coupe).
2. Retirez les boulons qui fixent les couvercles de courroie au plateau de coupe. Voir Figure 53.
3. Retirez le couvercle des courroies du plateau. Voir Figure 54.

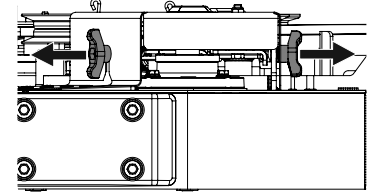


Figure 53

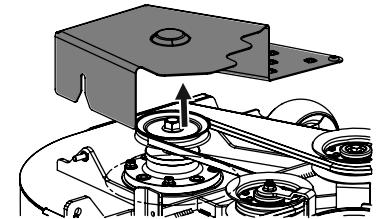


Figure 54

4. Pour retirer les deux poulies de tension, enlevez les écrous autobloquants supérieurs des poulies et retirez les poulies du bras de renvoi. Voir Figure 55.

**Note :** Notez bien l'emplacement de la quincaillerie, surtout celui des garde-courroies, afin de pouvoir les installer correctement plus tard.

5. Retirez la courroie des poulies de fusée.
6. Placez la courroie neuve autour des poulies de fusée et remplacez les couvercles de courroie retirés à l'étape 1.
7. Installez la courroie autour des poulies de tension retirées à l'étape 4 avec le côté en « V » vers le bas. Assurez-vous qu'elle n'est pas pliée ou tordue. Puis, vissez légèrement la quincaillerie du bras de renvoi.
8. Placez la courroie comme indiqué à la Figure 56, puis serrez la quincaillerie du bras de renvoi.

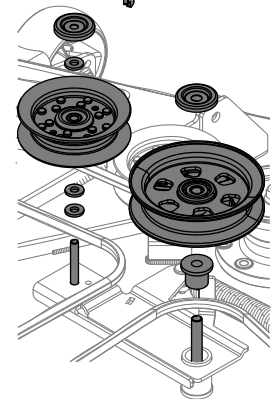


Figure 55

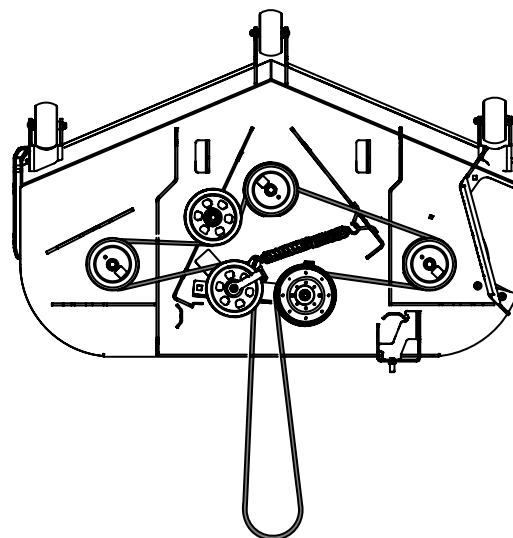


Figure 56

# ENTRETIEN ET RÉGLAGES

## Entretien des lames

### ⚠ AVERTISSEMENT

Avant d'effectuer un entretien, débrayez la prise de force et poussez les barres de conduite à fond vers l'extérieur pour engager le frein de stationnement. Arrêtez le moteur, tournez la clé de contact à la position ARRÊT (OFF), puis retirez-la si vous laissez l'appareil sans surveillance. Lorsque vous manipulez une lame, portez des gants épais pour protéger vos mains. Lors de l'entretien du plateau de coupe, soyez prudent et faites attention de ne pas vous couper avec les lames tranchantes.

Les lames de coupe doivent être toujours bien affûtées. Affûtez les tranchants de manière égale pour que les lames restent bien équilibrées et l'angle d'affûtage soit maintenu.

Si le tranchant d'une lame a déjà été aiguisé plusieurs fois ou si le métal s'effrite, il est conseillé de changer la lame. Les lames sont en vente chez votre concessionnaire Cub Cadet.

Procédez comme suit pour démonter une lame :

1. Enlevez le plateau de coupe de l'appareil (voir Démontage du plateau de coupe), puis retournez le plateau de coupe pour avoir accès à son dessous.
2. À l'aide d'une clé de 15/16", retenez l'écrou sur le haut de la fusée, puis desserrez l'écrou hexagonal (a) qui fixe la lame (b) à la fusée. Pour desserrer plus facilement l'écrou hexagonal (a) qui fixe la lame, placez un petit bloc de bois (c) entre le plateau de coupe et le tranchant de la lame (b). Voir Figure 57.
3. Lorsque vous réinstallez la lame, assurez-vous que les ailettes de la lame pointent vers le haut du plateau de coupe.
4. Serrez les écrous hexagonaux (a) à un couple de 95 à 122 N m (70 à 90 pi-lb).
5. Installez le plateau de coupe (voir Installation du plateau de coupe).

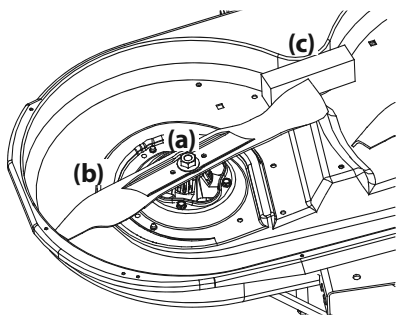


Figure 57

### Remplacement de la courroie d'entraînement de la transmission

Certaines pièces doivent être démontées et des outils spéciaux sont nécessaires pour remplacer la courroie d'entraînement de la transmission. Contactez un centre de service agréé pour faire remplacer la courroie d'entraînement.

### Mouvement de l'appareil à l'arrêt

Si l'appareil se déplace vers l'avant ou vers l'arrière lorsque les pédales de déplacement sont placées à la position neutre et le moteur est en marche, adressez-vous à un centre de service agréé.

# DÉPANNAGE

## AVERTISSEMENT

Avant d'effectuer tout travail d'entretien, désengagez toutes les commandes, arrêtez le moteur et attendez l'arrêt complet des pièces mobiles. Débranchez le fil de bougie et mettez-le à la masse contre le moteur pour que ce dernier ne démarre pas. Portez toujours des lunettes de protection lorsque vous utilisez l'appareil et lorsque vous effectuez un réglage ou une réparation.

Cette section traite des problèmes mineurs. Pour trouver le centre de service agréé de votre région, veuillez vous référer au document annexe.

Problème	Cause	Solution
Le moteur ne démarre pas	<ol style="list-style-type: none"> <li>1. La prise de force est embrayée (le bouton de la prise de force est tiré vers le haut).</li> <li>2. Le frein de stationnement n'est pas engagé.</li> <li>3. Le fil de bougie est débranché.</li> <li>4. Le levier d'accélérateur n'est pas à la position de démarrage.</li> <li>5. Le réservoir d'essence est vide ou l'essence est éventée.</li> <li>6. Le conduit d'essence est bouché ou le filtre à carburant est encrassé.</li> <li>7. La bougie d'allumage est défectueuse.</li> <li>8. Le moteur est noyé.</li> <li>9. Un fusible a sauté.</li> </ol>	<ol style="list-style-type: none"> <li>1. Appuyez sur le bouton de la prise de force.</li> <li>2. Engagez le frein de stationnement.</li> <li>3. Branchez le fil à la bougie d'allumage.</li> <li>4. Placez le levier d'accélérateur à la position RAPIDE.</li> <li>5. Remplissez le réservoir avec de l'essence propre et fraîche.</li> <li>6. Remplacez le conduit d'essence. Consultez un centre de service agréé. Remplacez le filtre à carburant.</li> <li>7. Nettoyez la bougie, remplacez-la ou ajustez son écartement.</li> <li>8. Faites tourner le moteur à plein régime.</li> <li>9. Remplacez le fusible.</li> </ol>
Le moteur tourne irrégulièrement	<ol style="list-style-type: none"> <li>1. La tondeuse fonctionne alors que l'étrangleur est engagé.</li> <li>2. Le fil de bougie est desserré.</li> <li>3. Le conduit d'essence est bouché ou l'essence est éventée.</li> <li>4. L'évent du bouchon du réservoir est bouché.</li> <li>5. Il y a de l'eau ou de la saleté dans le circuit d'alimentation.</li> <li>6. Le filtre à air est sale.</li> </ol>	<ol style="list-style-type: none"> <li>1. Vérifiez si l'étrangleur électrique fonctionne. Consultez un centre de service agréé.</li> <li>2. Branchez le fil de bougie et serrez-le.</li> <li>3. Remplacez le conduit d'essence. Consultez un centre de service agréé. Remplissez le réservoir avec l'essence propre et fraîche.</li> <li>4. Nettoyez l'évent ou remplacez le bouchon s'il est endommagé.</li> <li>5. Vidangez le réservoir d'essence. Remplissez le réservoir avec l'essence propre et fraîche.</li> <li>6. Remplacez l'élément en papier du filtre à air ou nettoyez le pré-filtre en mousse.</li> </ol>
Le moteur surchauffe	<ol style="list-style-type: none"> <li>1. Le niveau d'huile à moteur est bas.</li> <li>2. Le débit d'air est restreint.</li> </ol>	<ol style="list-style-type: none"> <li>1. Faites le plein avec le type d'huile et la quantité d'huile recommandés.</li> <li>2. Nettoyez autour des ailettes de refroidissement et autour du boîtier du ventilateur.</li> </ol>
Le moteur a des ratés à haute vitesse	<ol style="list-style-type: none"> <li>1. L'écartement de la bougie est trop petit</li> </ol>	<ol style="list-style-type: none"> <li>1. Retirez la bougie d'allumage et ajustez l'écartement.</li> </ol>
Le moteur tourne irrégulièrement au ralenti	<ol style="list-style-type: none"> <li>1. La bougie d'allumage est encrassée.</li> <li>2. Le filtre à air est sale.</li> </ol>	<ol style="list-style-type: none"> <li>1. Retirez la bougie d'allumage et ajustez l'écartement.</li> <li>2. Nettoyez ou remplacez l'élément du filtre à air ou nettoyez le pré-filtre.</li> </ol>
Le moteur produit des vibrations excessives	<ol style="list-style-type: none"> <li>1. La lame de coupe est desserrée ou mal équilibrée.</li> <li>2. La lame de coupe est émoussée, déformée ou endommagée.</li> </ol>	<ol style="list-style-type: none"> <li>1. Serrez la lame et la fusée. Équilibrez la lame.</li> <li>2. Remplacez la lame de coupe.</li> </ol>
L'appareil coupe de manière irrégulière	<ol style="list-style-type: none"> <li>1. Le plateau de coupe n'est pas mis à niveau.</li> <li>2. La lame de coupe est émoussée.</li> <li>3. La pression des pneus est inégale.</li> </ol>	<ol style="list-style-type: none"> <li>1. Effectuez la mise à niveau latérale du plateau de coupe.</li> <li>2. Aiguissez la lame de coupe ou remplacez-la.</li> <li>3. Vérifiez la pression des quatre pneus.</li> </ol>

## NOTES

## NOTES