

Item #434-940, 526-012, 1001 223 284

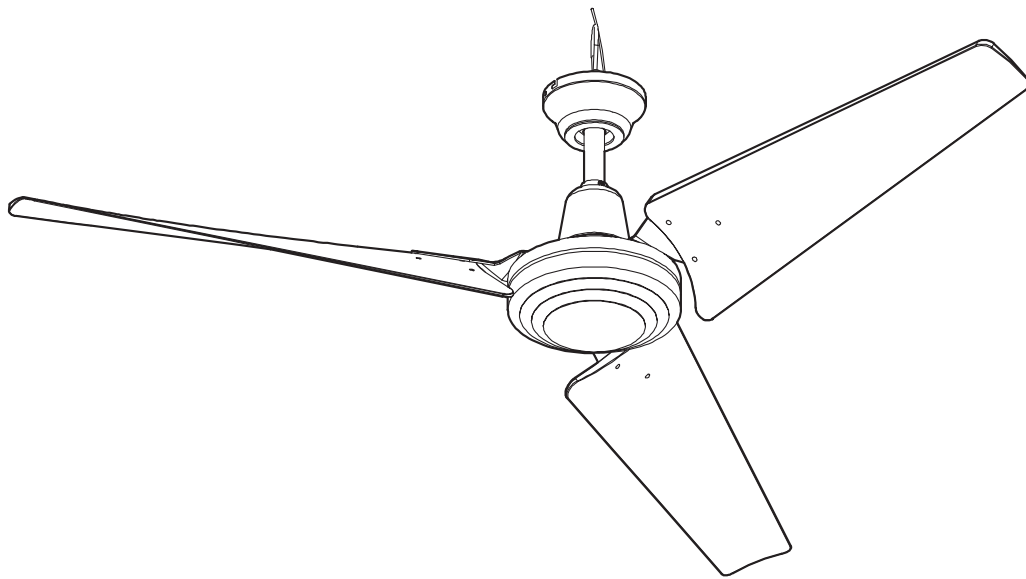
Model #52869, 52860, 26829

# HAMPTON BAY®

## USE AND CARE GUIDE

---

### INDUSTRIAL 60-INCH CEILING FAN



Questions, problems, missing parts? Before returning to the store call  
Hampton Bay Customer Service  
8 a.m. - 6 p.m., EST, Monday-Friday.

1-855-HD-HAMPTON

HAMPTONBAY.COM

---

#### THANK YOU

*We appreciate the trust and confidence you have placed in Hampton Bay through the purchase of this ceiling fan. We strive to continually create quality products designed to enhance your home. Visit us online to see our full line of products available for your home improvement needs.*

*Thank you for choosing Hampton Bay!*

# Table of Contents

Table of Contents .....	2	Assembly .....	7
Safety Information .....	2	Operation .....	12
Warranty .....	3	Care and Cleaning .....	13
Pre-Installation .....	3	Troubleshooting .....	13
Installation.....	6		

# Safety Information

1. All wiring must be in accordance with the National Electrical Code ANSI/NFPA 70-1999 and local electrical codes. Electrical installation should be performed by a qualified licensed electrician.
2. The outlet box and support structure must be securely mounted and capable of reliably supporting 35 lbs. (15.9kg). Use only UL Listed outlet boxes marked "Acceptable for Fan Support of 35 lbs. (15.9kg) or less."
3. The fan must be mounted with a minimum of 10 ft (3 m) clearance from the trailing edge of the blades to the floor.
4. Do not operate the reversing switch while the fan blades are in motion. You must turn the fan off and stop the blades before you reverse the blade direction.
5. Do not place objects in the path of the blades.
6. Electrical diagrams are for reference only.
7. After making electrical connections, spliced conductors should be turned upward and pushed carefully up into the outlet box. The wires should be spread apart with the grounded conductor and the equipment-grounding conductor on one side of the outlet box.
8. All set screws must be checked and retightened where necessary before installation.



**WARNING:** To reduce the risk of personal injury, do not bend the blade brackets (also referred to as flanges) during assembly or after installation. Do not insert objects in the path of the blades.



**WARNING:** To reduce the risk of fire or electric shock, do not use this fan with any solid-state speed control device.



**WARNING:** To avoid possible electrical shock, turn the electricity off at the main fuse box before wiring. If you feel you do not have enough electrical wiring knowledge or experience, contact a licensed electrician.



**WARNING:** To reduce the risk of shock, this fan must be installed with a wall-control/switch.



**WARNING:** To reduce the risk of fire, electric shock or personal injury, mount to outlet box marked "Acceptable for fan support of 35lbs. (15.9kg) or less", and use screws provided with the outlet box.



**WARNING:** To reduce the risk of fire, electric shock or personal injury, wire only a single wall-control panel/switch and ceiling fan unit together. Wiring two or more ceiling fans to any wall-control panel/switch may cause the circuitry to fail by overheating. Please do not attempt to defeat this feature of the ceiling fan system as doing so will void the warranty, both explicit and implicit stipulations thereof.



**CAUTION:** To reduce the risk of personal injury, use only the screws provided with the outlet box.



**CAUTION:** To avoid personal injury or damage to the fan and other items, use caution when working around or cleaning the fan.

# Warranty

The supplier warrants the fan motor to be free from defects in workmanship and material present at time of shipment from the factory for a life-time after the date of purchase by the original purchaser. The supplier also warrants that all other fan parts, excluding any glass or acrylic blades, to be free from defects in workmanship and material at the time of shipment from the factory for a period of two years after the date of purchase by the original purchaser. We agree to correct such defects without charge or at our option replace with a comparable or superior model if the product is returned. To obtain warranty service, you must present a copy of the receipt as proof of purchase. All costs of removing and reinstalling the product are your responsibility. Damage to any part such as by accident or misuse or improper installation or by affixing any accessories, is not covered by this warranty. Because of varying climatic conditions this warranty does not cover any changes in brass finish, including rusting, pitting, corroding, tarnishing, or peeling. Brass finishes of this type give their longest useful life when protected from varying weather conditions. A certain amount of "wobble" is normal and should not be considered a defect. Servicing performed by unauthorized persons shall render the warranty invalid. There is no other express warranty. Hampton Bay hereby disclaims any and all warranties, including but not limited to those of merchantability and fitness for a particular purpose to the extent permitted by law. The duration of any implied warranty which cannot be disclaimed is limited to the time period as specified in the express warranty. Some states do not allow a limitation on how long an implied warranty lasts, so the above limitation may not apply to you. The retailer shall not be liable for incidental, consequential, or special damages arising out of or in connection with product use or performance except as may otherwise be accorded by law. Some states do not allow the exclusion of incidental or consequential damages, so the above exclusion or limitation may not apply to you. This warranty gives specific legal rights, and you may also have other rights which vary from state to state. This warranty supersedes all prior warranties. Shipping costs for any return of product as part of a claim on the warranty must be paid by the customer.

Contact the Customer Service Team at 1-855-HD-HAMPTON or visit [www.HamptonBay.com](http://www.HamptonBay.com)

# Pre-Installation

## SPECIFICATIONS

Size	Speed	Volts	Amps	Power Use (WATT)	RPM	Airflow CFM	Airflow Efficiency (Higher Is Better) CFM/WATT	Net Weight	Gross Weight	Cube Feet
60 in.	Low	120	0.41	17	64	3709	218	17.64 lbs (8 kgs)	19.4 lbs (8.8 kgs)	1.43'
	Medium		0.59	34	111	5570	164			
	High 1		0.89	81	161	8702	107			
	High 2		1.04	118	194	9999	84			



**NOTE:** Measured according to Energy STAR® approved Solid State test method.



## TOOLS REQUIRED



Phillips screwdriver



Flat blade screwdriver



Adjustable wrench



Electrical tape



Wire cutter



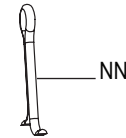
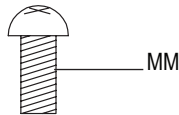
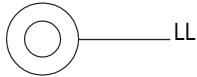
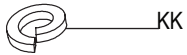
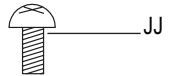
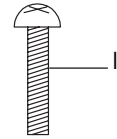
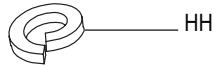
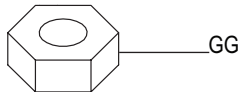
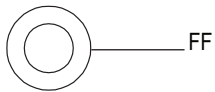
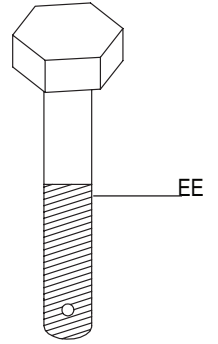
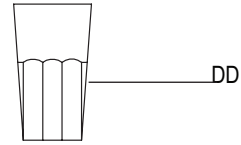
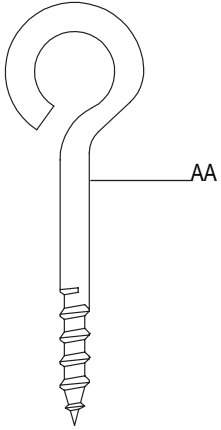
Step ladder

# Pre-Installation (continued)

## HARDWARE INCLUDED



NOTE: Hardware not shown to actual size.

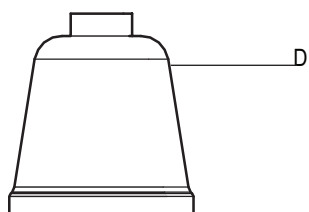
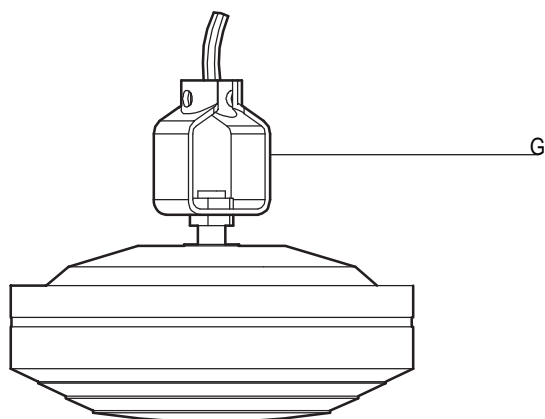
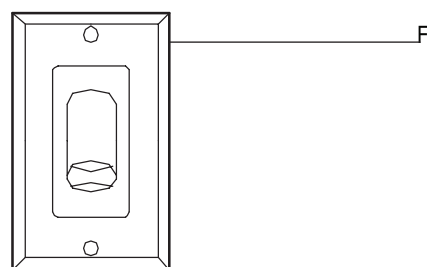
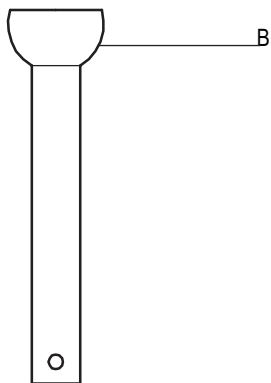
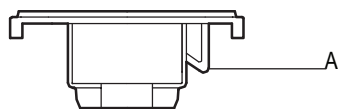


Part	Description	Quantity
AA	J wood screw	1
BB	Canopy mounting screw	4
CC	Canopy mounting lock washer	4
DD	Plastic wire connector	6
EE	Hanger bolt	1
FF	Flat washer	1
GG	Hexagonal nut	1
HH	Lockwasher	1

Part	Description	Quantity
II	Control mounting screw	2
JJ	Control mounting screw	2
KK	Lockwasher	6
LL	Flat washer	6
MM	Screw	6
NN	Split pin	1

# Pre-Installation (continued)

## PACKAGE CONTENTS



Part	Description	Quantity
A	Mounting bracket	1
B	Ball/downrod assembly	1
C	Canopy	1
D	Coupler cover	1

Part	Description	Quantity
E	Blade	3
F	Wall control	1
G	Motor	1



**IMPORTANT:** This product and/or components are governed by one or more of the following U.S. Patents: 5,947,436; 5,988,580; 6,010,110; 6,046,416; 6,210,117 and other patents pending.

# Installation

## MOUNTING OPTIONS



**WARNING:** To reduce the risk of fire, electric shock or personal injury, mount to outlet box marked "Acceptable for fan support of 35lbs. (15.9kg) or less", and use screws provided with the outlet box. An outlet box commonly used for the support of lighting fixtures may not be acceptable for fan support and may need to be replaced. If in doubt, consult a qualified electrician.

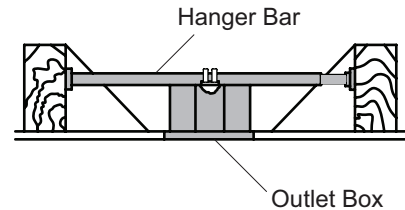
If your ceiling fan does not have an existing UL-listed mounting box, then install one using the following instructions:

- Disconnect the power by removing the fuses or turning off the circuit breakers.
- Secure the outlet box directly to the building structure. Use the appropriate fasteners and materials. The outlet box and support structure must be securely mounted and capable of reliably supporting 35 lbs. (15.9kg). Use only UL Listed outlet boxes marked "Acceptable for Fan Support of 35 lbs. (15.9kg) or less.". Do not use a plastic outlet box.

The illustrations below show three different ways to mount the outlet box.



**NOTE:** You may need a longer downrod to maintain proper blade clearance when installing on a steep, sloped ceiling. The maximum angle allowable is 30° away from horizontal.



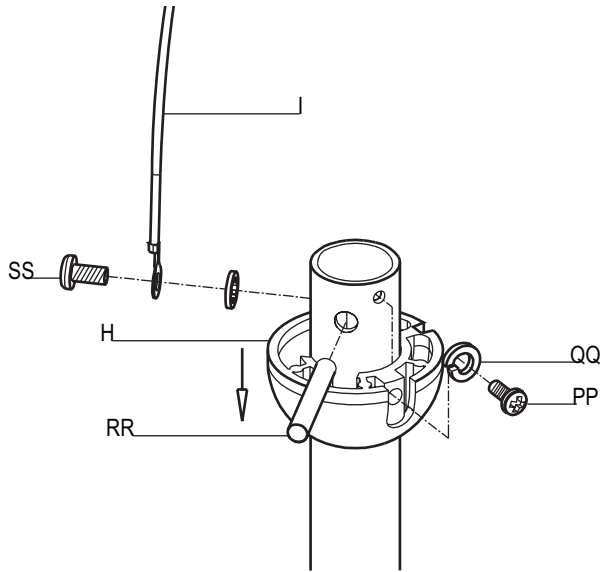
If the canopy touches the downrod, then remove the decorative canopy bottom cover, and turn the canopy 180° before attaching the canopy to the mounting plate.

To hang your fan where there is an existing fixture but no ceiling joist, you may need an installation hanger bar as shown above (available at any Home Depot store).

# Assembly

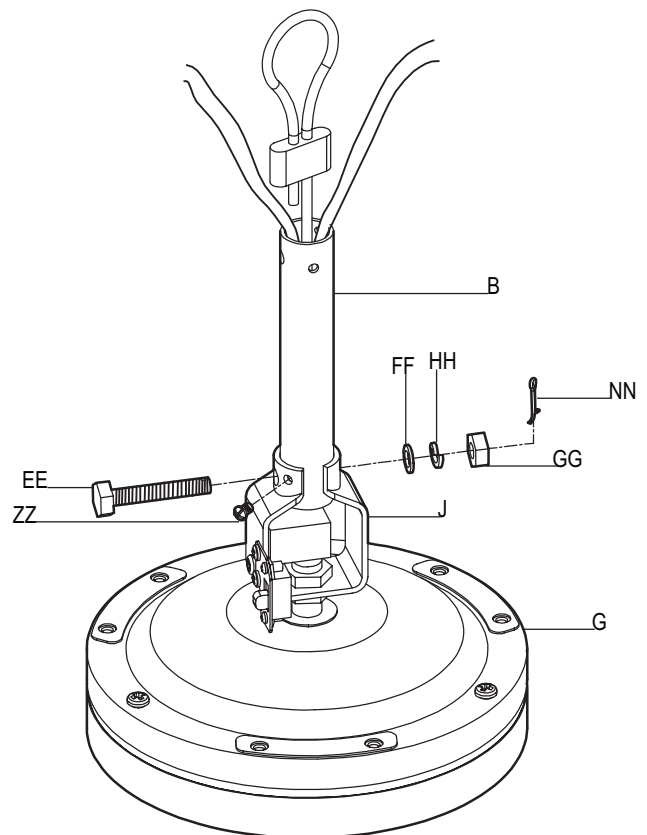
## 1 Dismantling the ball/downrod assembly

- Loosen the hanger ball (H) by removing the set screw (PP) and lockwasher (QQ) at the top of the downrod (B) which holds the hanger ball to the downrod.
- Slide the hanger ball (H) down the downrod (B) and remove the support pin (RR).
- Unscrew the green groundwire (I) located at the top of the downrod (B) by unscrewing the screw (SS) on the downrod (B).



## 2 Installing the downrod

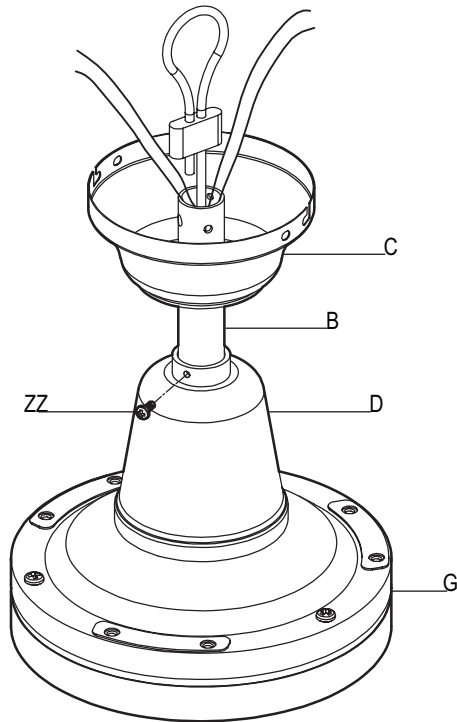
- Route the wires exiting the top of the motor housing (G) through the downrod (B).
- Loosen the set screw (ZZ) from the coupler (J).
- Insert the downrod (B) into the coupler (J) on the top of the motor housing (G).
- Align the holes at the bottom of the downrod (B) with the holes in the coupler (J) and insert the hanger bolt (EE).
- Secure the hanger bolt (EE) using the flat washer (FF), lockwasher (HH), and the hexagonal nut (GG).
- Insert the split pin (NN) into the end of the hanger bolt (EE) and split the ends of the split pin (NN) apart to secure the hanger bolt (EE).
- Tighten the set screw (ZZ) firmly.



## Assembly (continued)

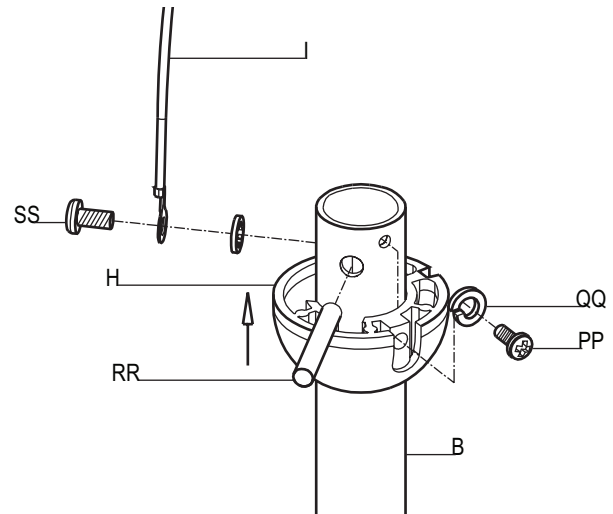
### 3 Installing the coupler cover and canopy

- Slide the coupler cover (D) onto the downrod (B) and push the coupler cover (D) until it rests on the top of the motor housing (G).
- Tighten the set screw (ZZ) to secure the coupler cover (D) onto the downrod (B).
- Slide the canopy (C) onto the downrod (B).



### 4 Installing the ball on the downrod

- Slide the hanger ball (H) onto the top of the downrod (B) past the holes in the downrod (B).
- Re-attach the green ground wire (I) to the downrod using the screw (SS) and washer that were removed in step 1.
- Slide the ball (H) up and align the holes in the ball (H) and downrod (B). Make sure the support pin (RR) aligns in the slot of the ball (H).
- Replace the support pin (RR) into the holes located at the top of the downrod (B).
- Screw the set screw (PP) and lockwasher (QQ) into the hole in the ball (H) and downrod (B) to secure the ball.



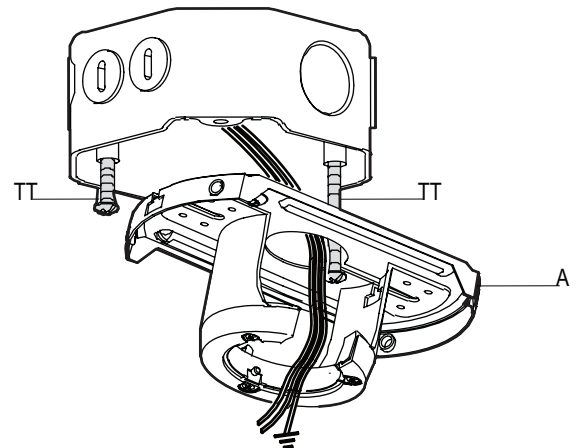
## Assembly - Hanging the Fan

### 5 Installing the mounting bracket



**WARNING:** To reduce the risk of fire, electric shock or personal injury, mount to outlet box marked "Acceptable for fan support of 35lbs. (15.9kg) or less", and use screws provided with the outlet box.

- Pass the 120-Volt supply wires through the center hole in the mounting bracket (A).
- Install the ceiling mounting plate on the outlet box by sliding the mounting bracket (A) over the two screws (TT) provided with the outlet box. If necessary, use leveling washers (not included) between the mounting bracket (A) and the outlet box. Note that the flat side of the mounting bracket (A) is toward the outlet box.
- Securely tighten the two mounting screws (TT).





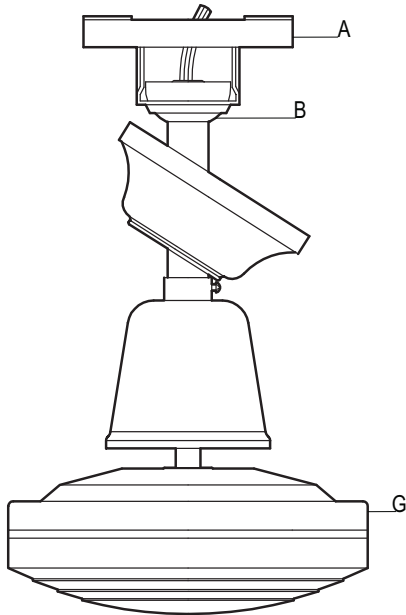
# Assembly - Hanging the Fan (continued)

## 6 Hanging the fan



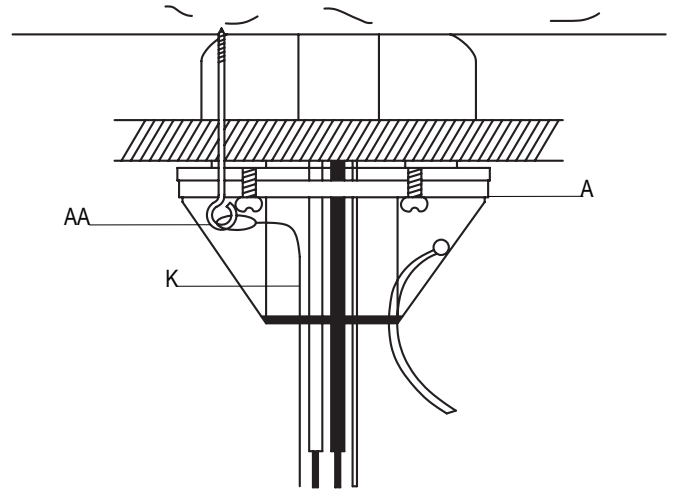
**WARNING:** When using the standard ball/downrod mounting, the tab in the ring at the bottom of the mounting bracket must rest in the groove of the hanger ball. Failure to properly seat the tab in the groove could cause damage to the wiring.

- Carefully lift the fan motor assembly (G) up to the mounting bracket (A).
- Seat the hanger ball portion of the ball/downrod assembly (B) in the mounting bracket socket. Ensure that the tab on the mounting bracket (A) socket is properly seated in the groove in the hanger ball (B).



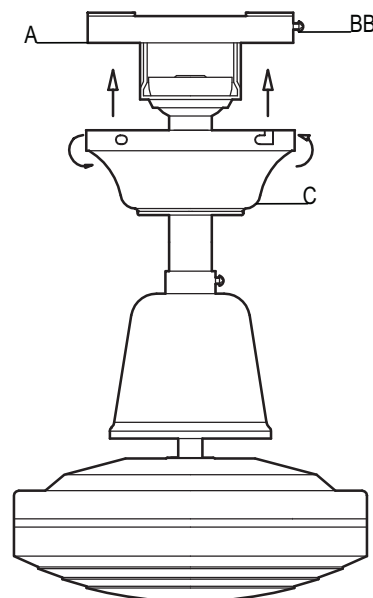
## 7 Connecting the safety cable

- Turn the wood screw (AA) into the ceiling.
- Place the looped end of the safety cable (K) onto the wood screw (AA) and then tighten the screw firmly, or connect the safety cable directly to the outer joist or mounting bracket (A).



## 8 Attaching the canopy

- Align the locking slots of the ceiling canopy (C) with the two screws in the mounting bracket (A). Push up to engage the slots, and turn clockwise to lock the canopy (C) in place.
- Firmly tighten the two mounting screws (BB) with lock washer (CC).
- Install the remaining two mounting screws (BB) into the holes in the canopy (C) and tighten firmly.



# Assembly - Hanging the Fan (continued)

## 9 Making the electrical connection

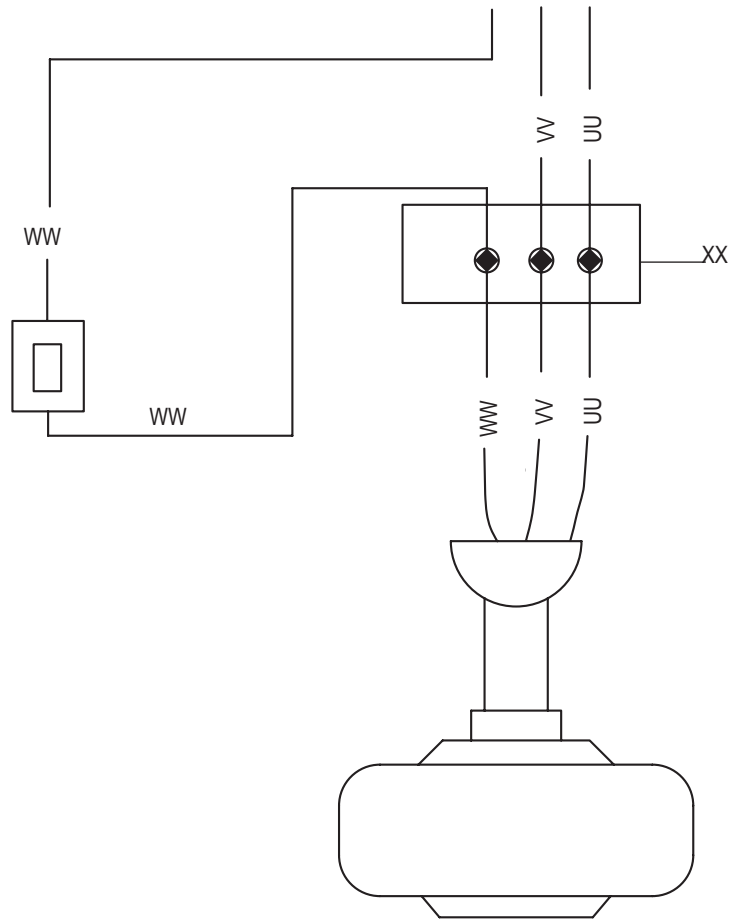


**WARNING:** Each wire not supplied with this fan is designed to accept up to one 12-gauge house wire and two wires from the fan. If you have larger than 12-gauge house wiring or more than one house wire to connect to the fan wiring, consult an electrician for the proper size wire nuts to use.



**IMPORTANT:** Use the wire connecting nuts (DD) supplied with your fan. Secure the connectors with electrical tape and ensure there are no loose strands or connections.

- ❑ Connect the ground conductor of the 120-Volt supply (this may be a bare wire or a wire with green colored insulation) to the green ground lead(s) (UU) of the fan.
- ❑ Connect the fan motor white wire (VV) to the supply white wire (VV) using a wire connecting nut (DD).
- ❑ Connect the fan motor black wire (WW) to the supply black wire (WW) using a wire connecting nut (DD).
- ❑ After connecting the wires, spread them apart so that the green (UU) and white wires (VV) are one side of the outlet box (XX) and the black wire (WW) is on the other side.
- ❑ Turn the wire connecting nuts upward, and carefully push the wiring into the outlet box (XX).



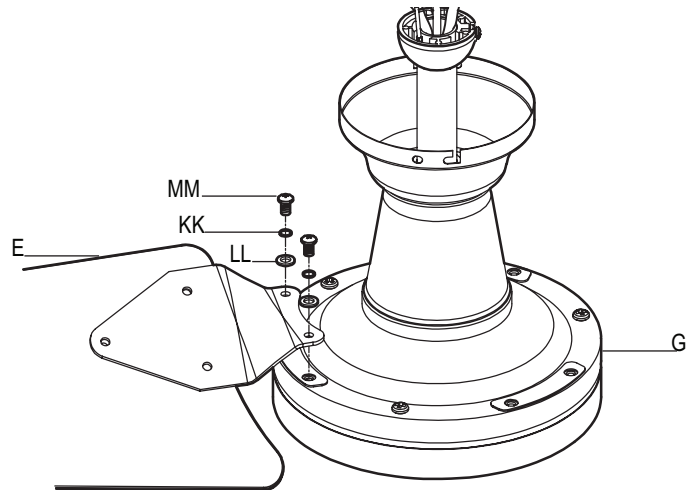
# Assembly (continued)

## 10 Attaching the fan blades



**NOTE:** The blade and blade arms are pre-assembled together at the factory. The blades feature new technology for higher efficiency. The blades are not reversible.

- ❑ Position the blade assembly (E) on the motor so the mounting screw holes align with the threaded holes.
- ❑ Turn the screw (MM), spring washer (KK), and flat washer (LL) into the hole but do not completely tighten. Make sure the second hole in the blade assembly aligns with a hole in the motor housing (G).
- ❑ Install a second screw (MM), spring washer (KK) and flat washer (LL) in the blade assembly in the same manner.
- ❑ Repeat for the remaining blades.
- ❑ Tighten all screws.



# Operation

## Install 4-speed wall control

See the instructions enclosed with the wall control package.

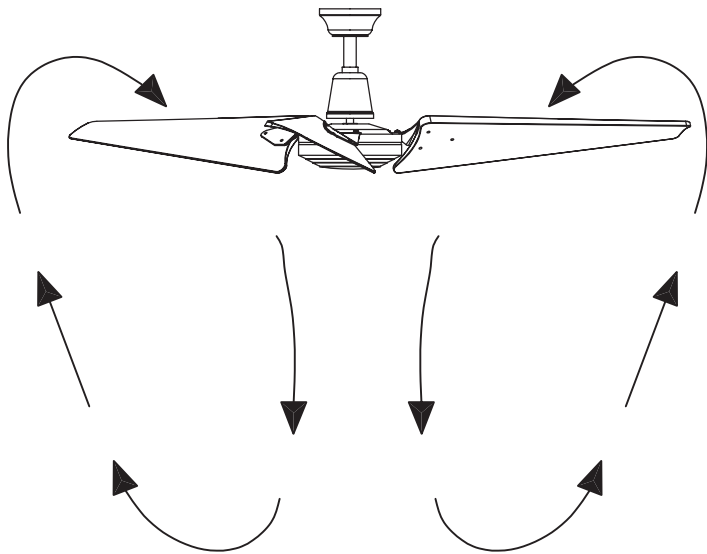
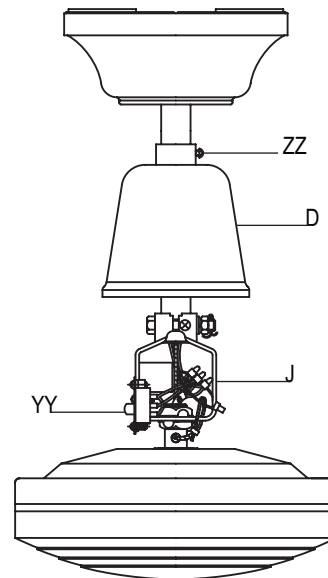
## Operating your fan



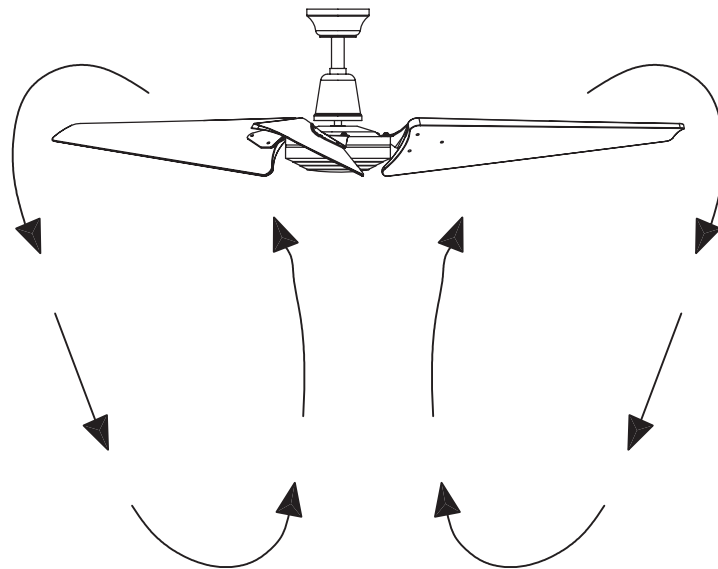
**NOTE:** Wait for the fan to completely stop before setting the slide switch to reverse the direction of blade rotation.

The reverse switch is located on the coupler (J). To switch the direction of the blade rotation, follow the instructions below.

- Loosen the set screw (ZZ) on the coupler cover (D).
- Slide coupler cover (D) up to reveal the coupler (J) and reverse switch (YY).
- Set reverse switch (YY) in desired direction:  
For warm weather, set switch in down position.  
For cool weather, set switch in up position.



**Warm weather - (Forward)** A downward airflow creates a cooling effect. This allows you to set your air conditioner on a warmer setting without affecting your comfort.



**Cool weather - (Reverse)** An upward airflow moves warm air off of the ceiling. This allows you to set your heating unit on a cooler setting without affecting your comfort.

# Care and Cleaning



**WARNING:** Make sure the power is off before cleaning your fan.

- Because of the fan's natural movement, some connections may become loose. Check the support connections, brackets, and blade attachments twice a year. Make sure they are secure. It is not necessary to remove the fan from the ceiling.
- Clean your fan periodically to help maintain its new appearance over the years. Do not use water when cleaning, as this could damage the motor, or the wood, or possibly cause an electrical shock. Use only a soft brush or lint-free cloth to avoid scratching the finish. The plating is sealed with a lacquer to minimize discoloration or tarnishing.
- You can apply a light coat of furniture polish to the wood for additional protection and enhanced beauty. Cover small scratches with a light application of shoe polish.
- You do not need to oil your fan. The motor has permanently-lubricated sealed ball bearings.

# Troubleshooting

Problem	Solution
The fan will not start	<ul style="list-style-type: none"><li>□ Check the main and branch circuit fuses or breakers.</li><li>□ Check the line wire connections to the fan and switch wire connections in the switch housing.</li></ul>
The fan is noisy	<ul style="list-style-type: none"><li>□ Ensure all motor housing screws are snug.</li><li>□ Ensure the screws that attach the fan blade bracket to the motor hub are tight.</li><li>□ Ensure the wire nut connections are not rattling against each other or the interior wall of the switch housing.</li><li>□ Allow a 24-hour "breaking in" period. Most noises associated with a new fan disappear during this time.</li><li>□ If you are using the Ceiling Fan light kit, ensure the screws securing the glassware are tight. Check that the light bulbs are also secure.</li><li>□ Ensure the canopy is a short distance from the ceiling. It should not touch the ceiling.</li><li>□ Ensure your outlet box is secure and rubber isolator pads were used between the mounting plate and outlet box.</li></ul>
The fan wobbles	<ul style="list-style-type: none"><li>□ Check that all blade and blade arm screws are secure.</li><li>□ Most fan wobble problems are caused when blade levels are unequal. Check this level by selecting a point on the ceiling above the tip of one of the blades. Measure from a point on the center of the blade to the point on the ceiling. Rotate the fan until the next blade is positioned for measurement, and measure from the same point on each blade to the ceiling. Repeat for each blade. Any measurement deviation should be within 1/8 in. Run the fan for ten minutes. If the fan continues to wobble please contact Customer Service and a balancing kit will be sent to you at no charge.</li></ul>

# HAMPTON BAY<sup>®</sup>

Questions, problems, missing parts? Before returning to the store call  
Hampton Bay Customer Service  
8 a.m. - 6 p.m., EST, Monday-Friday

**1-855-HD-HAMPTON**

**HAMPTONBAY.COM**

Retain this manual for future use.