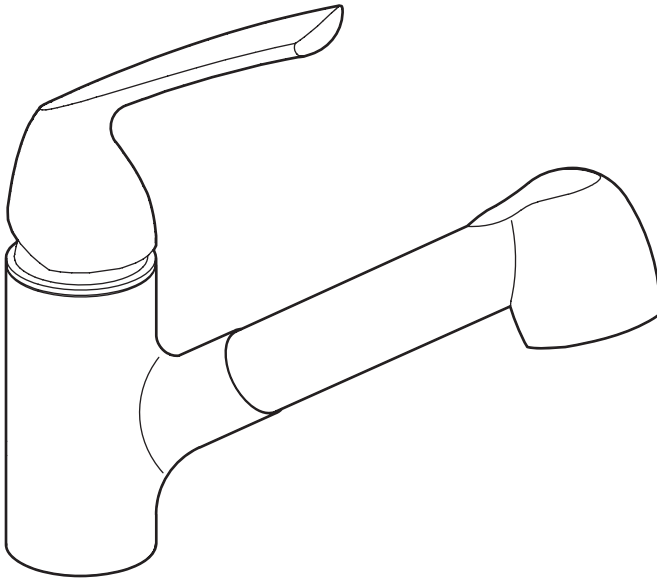


# USE AND CARE GUIDE

---

## PULL-OUT KITCHEN FAUCET



Questions, problems, missing parts? Before returning to the store,  
call Glacier Bay Customer Service  
8 a.m. - 6 p.m., EST, Monday - Friday

1-855-HD-GLACIER

[HOMEDEPOT.COM/GLACIERBAY](http://HOMEDEPOT.COM/GLACIERBAY)

---

### THANK YOU

*We appreciate the trust and confidence you have placed in Glacier Bay through the purchase of this faucet. We strive to continually create quality products designed to enhance your home. Visit us online to see our full line of products available for your home improvement needs. Thank you for choosing Glacier Bay!*

# Table of Contents

Table of Contents .....	2	Tools Required .....	3
Safety Information .....	2	Package Contents .....	4
Warranty.....	2	<b>Installation</b> .....	<b>5</b>
Limited Lifetime Warranty.....	2	<b>Maintenance</b> .....	<b>7</b>
Pre-Installation .....	3	Replacing the Cartridge .....	7
Planning Installation .....	3	Replacement or Cleaning of the Aerator .....	7
Temperature and Pressure Specifications .....	3	<b>Care and Cleaning</b> .....	<b>7</b>

## Safety Information

1. Always turn off the water supply before removing the existing faucet or replacing any part of the faucet. Open the faucet handle to relieve water pressure and ensure that water is completely shut off.
2. Cover the drain in your sink to avoid losing parts.



**WARNING:** Avoid contact of plastic parts with plumber's putty, pipe dope, or any other oil-based compound.

## Warranty

### LIMITED LIFETIME WARRANTY

Glacier Bay products are manufactured with superior quality standards and workmanship and are backed by our limited lifetime warranty. Glacier Bay products are warranted to the original consumer purchaser to be free of defects in materials or workmanship. We will replace FREE OF CHARGE any product or parts that proves defective. Simply, return the product / part to any of The Home Depot retail locations or call 1-855-HD-Glacier (1-855-434-5224) to receive the replacement item. Proof of purchase (original sales receipt) from the original consumer purchaser must be made available for all Glacier Bay warranty claims.

This warranty excludes incidental/inconsequential damages and failures due to misuse, abuse or normal wear and tear. This warranty excludes all industrial, commercial & business usage, whose purchasers are hereby, extended a five year limited warranty from the date of purchase, with all other terms of this warranty applying except the duration of warranty.

Some states and provinces do not allow the exclusion or limitation of incidental or consequential damages, so the above limitations may not apply to you. This warranty gives you specific legal rights and you may also have other rights that vary from state to state and province to province.

Contact the Customer Service Team at 1-855-HD-GLACIER or visit [HOMEDEPOT.COM/GLACIERBAY](http://HOMEDEPOT.COM/GLACIERBAY).

# Pre-Installation

## PLANNING INSTALLATION

Before you begin to install this product, ensure that all parts are present. Compare parts with the package contents list. If any part is missing or damaged, do not attempt to install the product. Contact customer service for replacement parts.

Always turn off the water supply before you remove or replace the existing faucet. Turn off the cold and hot water lines and turn on the old faucet to release build-up pressure.

## TEMPERATURE AND PRESSURE SPECIFICATIONS

Water Supply	Recommended	Max.	Min.
Hot Water Temperature	66°C (150°F)	80°C (175°F)	15°C (60°F)
Working Pressure	3 BAR (45 PSI)	5 BAR (75PSI)	0.5 BAR (7PSI)

In case of pressures over 5 BAR (~75 PSI), a pressure reducer is recommended. Before proceeding with the assembly, purge the hot and cold water pipes so as to avoid the accumulation of dirt and impurities that could affect the function of the tap.

## TOOLS REQUIRED



Adjustable  
Wrench



Phillips  
screwdriver



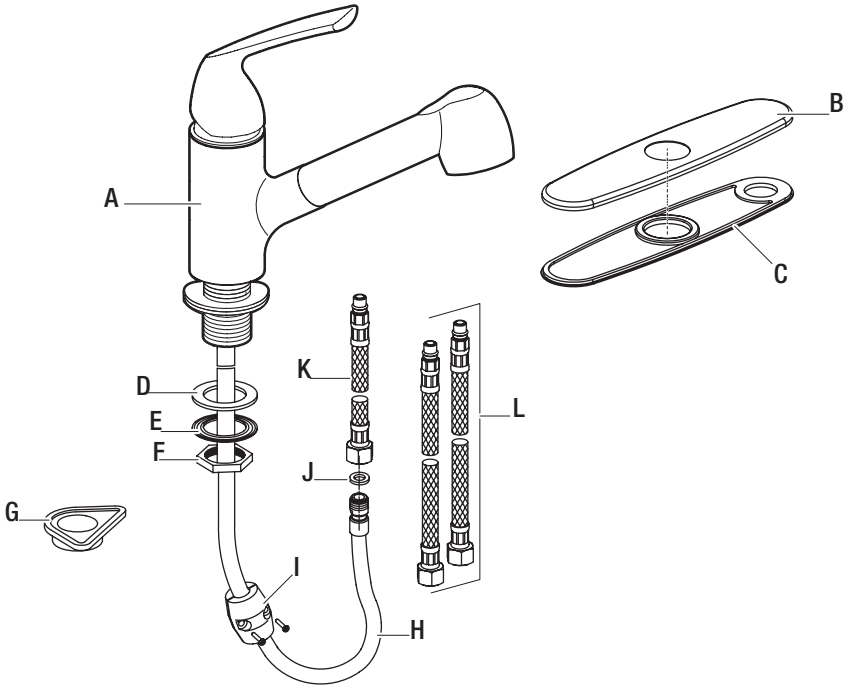
Silicone  
Sealant



Sealant  
Tape

# Pre-Installation (continued)

## PACKAGE CONTENTS

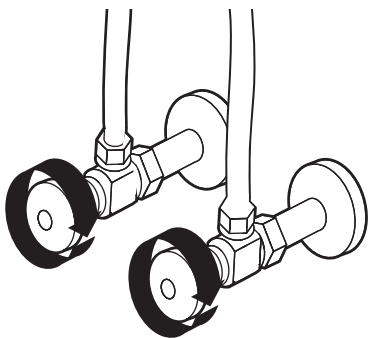


Part	Description	Quantity
A	Faucet body	1
B	Deckplate	1
C	Baseplate	1
D	Rubber washer (preassembled to Faucet body (A))	1
E	Metal washer (preassembled to Faucet body (A))	1
F	Lock nut (preassembled to Faucet body (A))	1
G	Flange	1
H	Pull-out hose (preassembled to Faucet body (A))	1
I	Weight	1
J	Flex pipe washer (preassembled to Faucet body (A))	1
K	Flex pipe (preassembled to Faucet body (A))	1
L	Supply hose	2

# Installation

## 1 Turning off the water supply

- Purge the hot and cold water pipes to avoid the accumulation of dirt and impurities.
- Shut off the water supply.
- If necessary, remove the old faucet and clean off the installation surface.

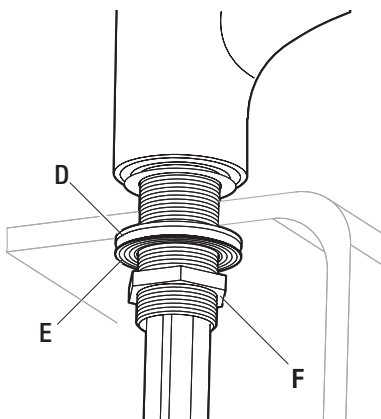


## 2 Installing the faucet without the deckplate



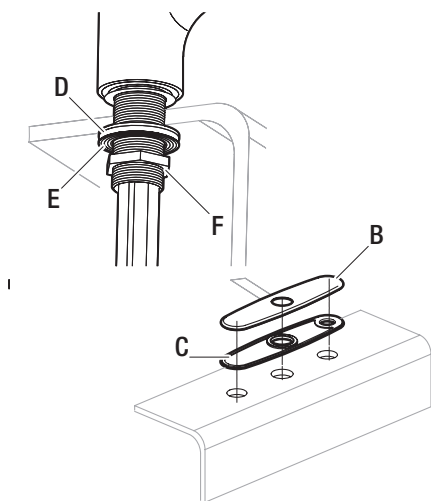
**NOTE:** If you wish to install the faucet with the deckplate, proceed to Step 3.

- Remove the preassembled lock nut (F), metal washer (E), and rubber washer (D) from the faucet body (A).
- Place the faucet body (A) over the installation hole in the sink and insert the faucet body (A) and hose connections through the sink.



## 3 Installing the faucet with the deckplate

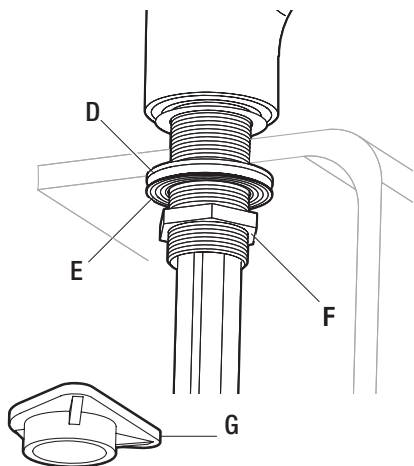
- Remove the preassembled lock nut (F), metal washer (E), and rubber washer (D) from the faucet body (A).
- Place a bead of silicone sealant (not included) around the base of the baseplate (C).
- Place the deckplate (B) and baseplate (C) over the installation holes in the sink and insert the faucet body (A) into the deckplate (B) and through the sink.



## Installation (continued)

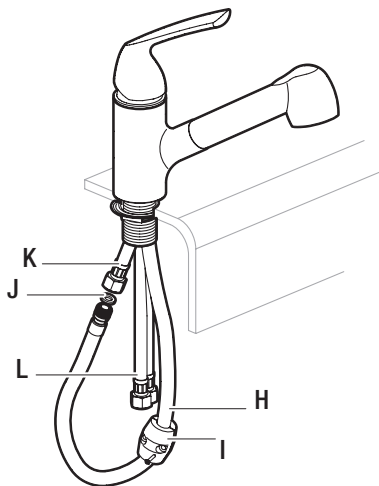
### 4 Installing the faucet

- Attach the faucet body (A) from underneath the sink using the rubber washer (D), metal washer (E), and lock nut (F).
- Securely tighten the lock nut (G) to secure in place. If the faucet body seems unstable, increase the stability by inserting the flange (G) between the rubber washer (D) and the bottom of the sink.



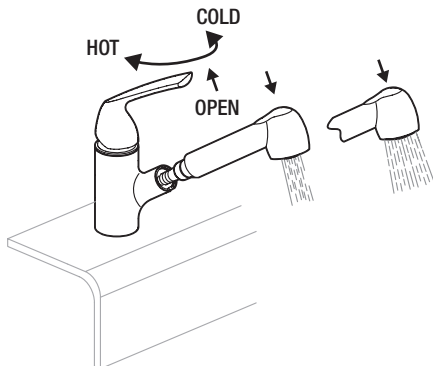
### 5 Connecting the water supply lines

- Connect the left supply pipe (L) to the hot water outlet and the right supply pipe (L) to the cold water outlet.
- Connect the pull-out hose (H) to the outlet flex pipe (K) positioning the washer (J) in between.
- Locate the lowest point on the pull-out hose (H) and attach the weight (I) to the hose (H).



### 6 Checking for leaks

- Turn on the water supply and check all of the water connections for leaks. If you discover any leaks, check the connections to ensure they are installed properly.
- Press the top of the faucet head to change the water flow between normal and shower. Lift the faucet handle up to turn the water on, twist to the right for cold water and to the left for hot water.

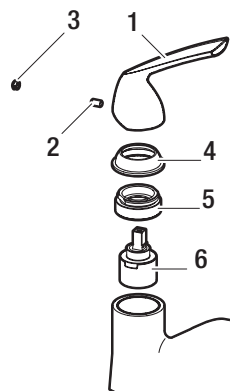


## Maintenance

### REPLACING THE CARTRIDGE

- Turn off the water supply to the sink.
- Remove the plate (3) and loosen the screw (2). Remove the lever from the top (1).
- Screw off the cap (4) and the locknut (5). Remove the mixing cartridge (6).

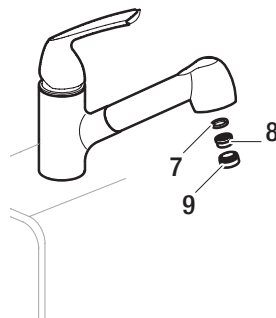
To reassemble, proceed in reverse order paying special attention when cleaning the surfaces of the sealing washers. Tighten the locknut (5) so as to guarantee a correct seal and enable a smooth movement of the lever.



### REPLACEMENT OR CLEANING OF THE AERATOR

Periodically clean the aerator to prevent the accumulation of debris and limestone which may gradually reduce the flow.

To disassemble the aerator, loosen the locknut (9) and clean the filter (8) from any impurities. Reassemble in reverse order making sure to correctly position the washer (7).



## Care and Cleaning

- Before cleaning, make sure the tap is cold (heat wears the surface of the tap down).
- Do not use products containing acids or corrosive substances.
- Wipe the tap daily with a soft cloth. Do not use steel wool or metal pads, abrasive sponges or similar products.
- Immediately rinse off any detergent residues with cold water. Damages to the taps caused by incorrect treatment are not covered by the warranty.



**Questions, problems, missing parts? Before returning to the store,  
call Glacier Bay Customer Service  
8 a.m.-6 p.m., EST, Monday-Friday**

**1-855-HD-GLACIER**

**[HOMEDEPOT.COM/GLACIERBAY](http://HOMEDEPOT.COM/GLACIERBAY)**

**Retain this manual for future use.**