

OVENTE®

CYCLONIC
VACUUM

SUPER-TURBO
2620 Series



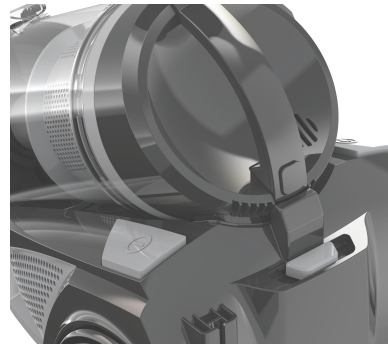
Before use, please read this manual thoroughly and save for future reference.

ovente.com

OVENTE®



ENERGY SAVING
SPEED
CONTROL



Intuitive speed settings allow you to regulate how much power and energy you want to use

CYCLONIC CANISTER VACUUM

ST2620 SERIES

TABLE OF CONTENTS

| | | |
|----------------------|-----------|---|
| IMPORTANT SAFEGUARDS | | 4 |
| PARTS & FEATURES | | 6 |
| USING YOUR VACUUM | | 7 |
| CARE & MAINTENANCE | | 9 |



IMPORTANT SAFEGUARDS

When using this vacuum, basic safety precautions should always be followed, including:

- ⚠ Read all instructions.
- ⚠ Check to ensure your electricity supply corresponds to that shown on the rating plate, which can be found on the base of the vacuum between the wheels. The vacuum must only be used as rated.
- ⚠ Do not leave vacuum plugged in. Unplug from electrical outlet when not in use.
- ⚠ Do not use outdoors or on wet surfaces or to vacuum water or other liquids as electric shock and personal injury may occur.
- ⚠ Do not use with a damaged cord or plug; do not pull or carry by the cord; do not use the cord as a handle; do not close a door on the cord or pull the cord around sharp edges or corners. Do not run the machine over the cord. Keep the cord away from heated surfaces and open flames.
- ⚠ Do not unplug by pulling on the cord. To unplug, grasp the plug, not the cord.
- ⚠ Do not handle the plug or vacuum with wet hands.
- ⚠ Do not use the vacuum without the canister and the filter in place.
- ⚠ Do not allow to be used as a toy. Close supervision is necessary when used by or near children.
- ⚠ Do not allow anyone to use the vacuum if he or she is unable to operate it safely.
- ⚠ Use only as described in this manual. Use only with manufacturer-recommended attachment, accessories and replacement parts.
- ⚠ Keep hair, loose clothing, fingers and all parts of your body away from openings in the vacuum and moving parts such as the floor brush.



IMPORTANT SAFEGUARDS

When using this vacuum, basic safety precautions should always be followed, including:

- ❗ Ensure that the cord is fully extended.
- ❗ Do not use the vacuum to pick up sharp, hard objects, small toys, pins, paper clips, etc. They may cause damage to the vacuum.
- ❗ The use of an extension cord is not recommended.
- ❗ Store the vacuum indoors. Put the vacuum away after use.
- ❗ Turn off all controls before unplugging.
- ❗ Always make sure the cord stopper is firmly in place before rewinding. Hold plug when rewinding onto the cord reel. Do not allow plug to whip when rewinding.
- ❗ Take extra care when cleaning stairs; always work the machine at the bottom of the stairs. Keep vacuum on the floor. Do not put on chairs, tables, etc.
- ❗ Do not pick up anything that is burning or smoking, such as cigarettes, matches or hot ashes.
- ❗ Do not pick up flammable or combustible liquids, such as gasoline or use in areas where they may be present.
- ❗ Ensure that the power cable never becomes wet or moist during operation.
- ❗ Never submerge the vacuum or the power cable in water, and do not clean these components under running water.



PARTS & FEATURES



- 1 | ENERGY SAVING SPEED CONTROL
- 2 | BAGLESS TRANSLUCENT DUST COMPARTMENT
- 3 | AUTOMATIC CORD REWIND
- 4 | 1.5-METER CRUSH-PROOF HOSE
- 5 | 5-METER POWER CORD
- 6 | TELESCOPIC STAINLESS STEEL TUBE
- 7 | HEPA FILTRATION SYSTEM
- 8 | 360-DEGREE SWIVEL HOSE
- 9 | STANDARD FLOOR BRUSH



PET/SOFA BRUSH



BRISTLE BRUSH



MULTI-ANGLE BRUSH

ACCESSORIES

ALSO INCLUDES

- BRISTLE BRUSH
- FURNITURE NOZZLE (NOT SHOWN)
- CREVICE TOOL (NOT SHOWN)

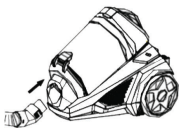
WITH BRISTLE BRUSH
(for hardwood floors)
WITHOUT BRISTLE
BRUSH (for carpets)



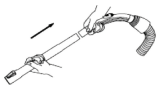
USING YOUR VACUUM

ASSEMBLING

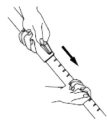
- Fit the hose onto the vacuum cleaner by inserting the swivel hose connector into the vacuum cleaner until you hear a click. To remove the hose, press the button located at the side of the hose connector, and then pull it out.



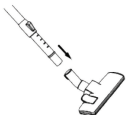
- Insert the telescopic tube into the other end of the hose.



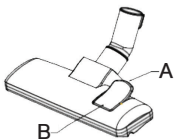
- Adjust the length of the telescopic tube by pushing the locking mechanism down and pulling in the bottom section of the tube to a suitable length. When storing, shorten the tube as far as possible.



- Attach the floor brush or other accessories into the telescopic tube.

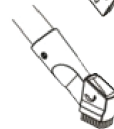


- Floor Nozzle
The floor nozzle has two settings:
A. For carpets and mats brushes should be retracted into the nozzle



B. For hard surfaces like parquet flooring, tiles, etc. nozzle brushes should be extended

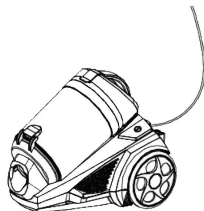
- Press the brush change button to switch between the two settings
- Crevice Tool
For corners, cracks, etc.
- Bristle Brush
For sofas, bookshelves, curtains and furniture, etc.
- Furniture Nozzle
For furniture, curtains, drapes, etc.
- Sofa/Pet Brush
For upholstery/sofas, etc.
- Multi-Angle Brush
For high-reaching ceilings, lighting, furniture tops, etc.



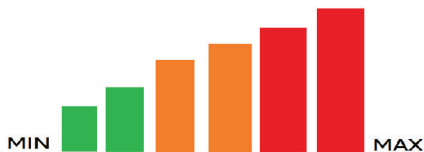


USING YOUR VACUUM

- Pull out the cord as long as you need, but do not exceed the maximum length or the yellow marks.
- To switch on the vacuum, press the foot pedal button on the casing.
- To rewind the power cord, press the button and hold the cord to ensure that it does not whip as it may cause damage.



ENERGY SAVING

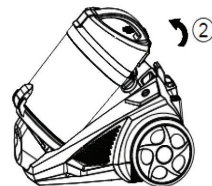
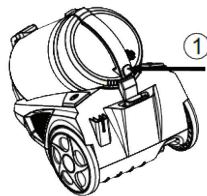


Conserve energy by using the speed control.

EMPTYING DUST COMPARTMENT

Empty the dust compartment regularly. The latest you should empty it is when the quantity of dirt has reached the "MAX" mark or when the suction power has decreased.

- Switch off the vacuum cleaner and disconnect the plug from the power outlet. To do this, always disconnect by pulling the plug and not the cord.
- Release the dust compartment by pressing down the release button (1).
- Lift the dust compartment forward and out of the cylinder vacuum cleaner (2).
- When emptying the dust compartment, hold it low over a trash can.
- Press the open button. The base opens and the dust falls into the trash can (3).
- Carefully knock the remaining dust loose.
- Close the base.
- Place the dust compartment onto the cylinder vacuum cleaner.
- Check whether the dust compartment is securely attached.

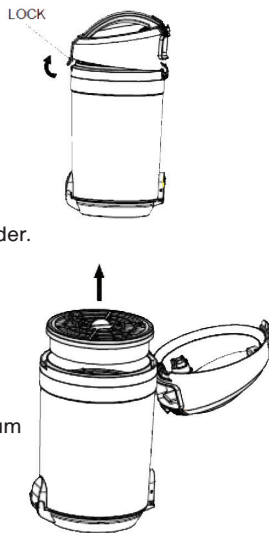




CARE AND MAINTENANCE

CLEANING THE MOTOR FILTER

- Turn off and unplug vacuum.
- Remove the dust compartment.
- Open the dust compartment cover and take out the filter.
- Hold the protective motor filter over a trash can and knock it gently to empty it.
- Insert the dry protective motor filter back into its holder.
- Place protective motor filter together back into its receptacle.
- Replace the filter cover by hooking it precisely from above first, and then engage the lock by pressing it until it audibly clicks into place.
- Place the dust compartment onto the cylinder vacuum cleaner.
- Check whether the dust compartment is securely attached.

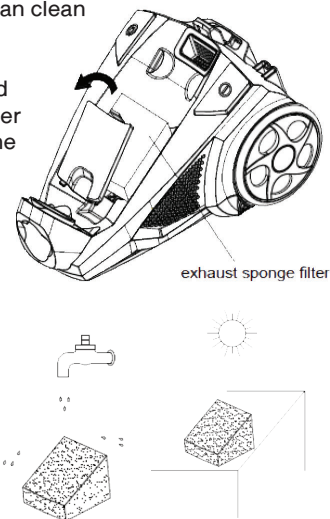


IMPORTANT! Never use the vacuum cleaner without a motor filter.

CLEANING THE EXHAUST AIR FILTER

The exhaust air filter cleans the air one final time before it leaves the exhaust sponge filter of the vacuum cleaner. You can clean the exhaust air filter as follows:

- Switch off the vacuum cleaner and disconnect the plug from the power outlet. To do this, always pull on the plug and not on the cord.
- Remove the dust compartment.
- Open the exhaust sponge cover.
- Rinse the sponge filter under cold running water and allow to dry.
- Put the exhaust air filter back into place.
- Close the exhaust sponge cover.





CARE AND MAINTENANCE

TRANSPORT AND STORAGE

- You can lift and carry the vacuum cleaner using the carrying handle. Never pull or lift the vacuum cleaner by the cord.
- Before putting the vacuum away, always make sure the cord stopper is set firmly in place, or else the plug will go inside the vacuum. Switch off the socket, unplug and press the cord rewind button until the cord is fully rewound.
- To save space, the vacuum can be stored upright. The telescopic tube can be hung on the vacuum cleaner by inserting the parking fixture into the vertical parking holder.
- Unplug the vacuum cleaner from the power outlet.
- Clean the vacuum cleaner body by wiping it with a slightly damp cloth.

- Do not use any form of strong solvent or abrasive cleaning agent.
- Wait until it dries completely before next use.
- Never wash the vacuum or power cable; the housing may be cleaned by means of a slightly dampened cloth only.



ELECTRICAL REQUIREMENTS

Voltage: 120V

Wattage: 1400W

Hertz: 60Hz



OVENTE WARRANTY

LIMITED ONE (1) YEAR WARRANTY

At Ovente, we aim to make your life easier by producing top-quality housewares, designed with you in mind. We have pledged to uphold all our offerings to the highest standards, and we back all our canister vacuums with a one-(1) year warranty from the date of purchase from an authorized retailer. This warranty covers defects in workmanship and materials. It does not include damage due to abuse, misuse, commercial use, accidents or natural wear and tear. In case of replacement, shipping and handling fees may apply.

LIMITATIONS

The warranty stated above is the only warranty applicable to this product. Other expressed or implied warranties are hereby disclaimed. No verbal or written information given by the Manufacturer, its agents or employees shall create a guarantee or in any way increase the scope and duration of this warranty. Repair or replacement as provided under this warranty is the exclusive remedy of the consumer. The manufacturer shall not be liable for incidental or consequential damages resulting from the use of this product. Any implied warranty of merchantability or fitness for a particular purpose on this product is limited to the applicable warranty period set forth above except to the extent prohibited by law. Proof of purchase may be required to validate the order. Promotional items may not be covered under any warranty. Consumer rights may vary from state to state.

For product support email support@ovente.com or call **1-855-926-2626**.

Visit us at ovente.com



[Facebook.com/ovente](https://www.facebook.com/ovente)



[@oventeTweets](https://twitter.com/oventeTweets)



[@Ovente](https://www.instagram.com/Ovente)



[youtube.com/ovente](https://www.youtube.com/ovente)

ovente.com

OVENTE®

Defining Housewares