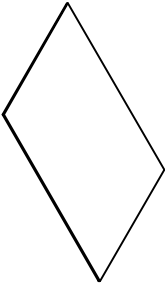
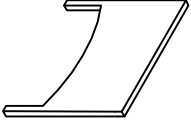
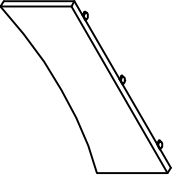
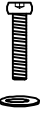


| | | |
|---|--|-------|
| H |  | 1 P C |
| I |  | 2PCS |
| J |  | 2PCS |
| E |  M6*30 MM | 8PCS |

