



User Guide

Upright Freezer

THANK YOU for purchasing this high-quality product. Register your freezer at www.maytag.com. In Canada, register your freezer at www.maytag.ca.

For future reference, please make a note of your product model and serial numbers. These numbers can be found inside your freezer.

Model Number

Serial Number

TABLE OF CONTENTS

SAFETY	1	CARING FOR YOUR FREEZER	8
INSTALLING YOUR FREEZER	2	Cleaning Your Frost-Free Freezer	8
Unpacking.....	2	Changing the Light Bulb	9
Location Requirements.....	3	Power Interruptions	9
Electrical Requirements.....	3	Moving Care	9
Freezer Door.....	4	PROBLEM SOLVER	10
Freezer Leveling and Door Closing.....	6	Freezer Operation	10
OPERATING YOUR FREEZER	7	WARRANTY	12
Ensuring Proper Air Circulation	7		
Using the Control	7		
Freezer Features	8		

SAFETY

Your safety and the safety of others are very important.

We have provided many important safety messages in this manual and on your appliance. Always read and obey all safety messages.



This is the safety alert symbol.

This symbol alerts you to potential hazards that can kill or hurt you and others.

All safety messages will follow the safety alert symbol and either the word "DANGER" or "WARNING."

These words mean:

⚠ DANGER

You can be killed or seriously injured if you don't immediately follow instructions.

⚠ WARNING

You can be killed or seriously injured if you don't follow instructions.

All safety messages will tell you what the potential hazard is, tell you how to reduce the chance of injury, and tell you what can happen if the instructions are not followed.

IMPORTANT SAFETY INSTRUCTIONS

WARNING: To reduce the risk of fire, electric shock, or injury when using your freezer, follow these basic precautions:

- Plug into a grounded 3 prong outlet.
- Do not remove ground prong.
- Do not use an adapter.
- Do not use an extension cord.
- Disconnect power before servicing.
- Replace all parts and panels before operating.
- Use nonflammable cleaner.
- Keep flammable materials and vapors, such as gasoline, away from freezer.
- Use two or more people to move and install freezer.
- Keep key away from children.
- Remove doors or lid from your old freezer or refrigerator.
- Disconnect power before installing ice maker (on ice maker kit ready models only).

SAVE THESE INSTRUCTIONS

State of California Proposition 65 Warnings:

WARNING: This product contains one or more chemicals known to the State of California to cause cancer.

WARNING: This product contains one or more chemicals known to the State of California to cause birth defects or other reproductive harm.

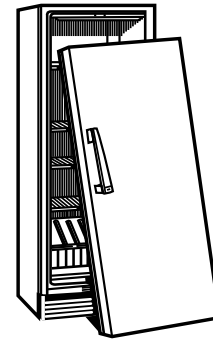
PROPER DISPOSAL OF YOUR OLD FREEZER OR REFRIGERATOR

⚠ WARNING

Suffocation Hazard

Remove doors or lid from your old freezer or refrigerator.

Failure to do so can result in death or brain damage.



IMPORTANT: Child entrapment and suffocation are not problems of the past. Junked or abandoned freezers or refrigerators are still dangerous... even if they will sit for "just a few days." If you are getting rid of your old refrigerator or freezer, please follow these instructions to help prevent accidents.

Before You Throw Away Your Old Freezer or Refrigerator:

- Take off the doors or lid.
- Leave the shelves in place so that children may not easily climb inside.

Important information to know about disposal of refrigerants:

Dispose of freezer in accordance with Federal and Local regulations. Refrigerants must be evacuated by a licensed, EPA certified refrigerant technician in accordance with established procedures.

INSTALLING YOUR FREEZER

Unpacking

⚠ WARNING

Excessive Weight Hazard

Use two or more people to move and install freezer.

Failure to do so can result in back or other injury.

Remove Packaging Materials

- Remove tape and glue residue from surfaces before turning on the freezer. Rub a small amount of liquid dish soap over the adhesive with your fingers. Wipe with warm water and dry.

- Do not use sharp instruments, rubbing alcohol, flammable fluids, or abrasive cleaners to remove tape or glue. These products can damage the surface of your freezer. For more information, see "Safety."

When Moving Your Freezer:

Your freezer is heavy. When moving the freezer for cleaning or service, be sure to cover the floor with cardboard or hardboard to avoid floor damage. Always pull the freezer straight out when moving it. Do not wiggle or "walk" the freezer when trying to move it, as floor damage could occur.

Clean Before Using

After you remove all of the packaging materials, clean the inside of your freezer before using it. See the cleaning instructions in "Caring for Your Freezer."

Important information to know about glass shelves and covers:

Do not clean glass shelves or covers with warm water when they are cold. Shelves and covers may break if exposed to sudden temperature changes or impact, such as bumping. Tempered glass is designed to shatter into many small, pebble-size pieces. This is normal. Glass shelves and covers are heavy. Use both hands when removing them to avoid dropping.

Location Requirements

⚠ WARNING



Explosion Hazard

Keep flammable materials and vapors, such as gasoline, away from freezer.

Failure to do so can result in death, explosion, or fire.

Ventilation and Clearance

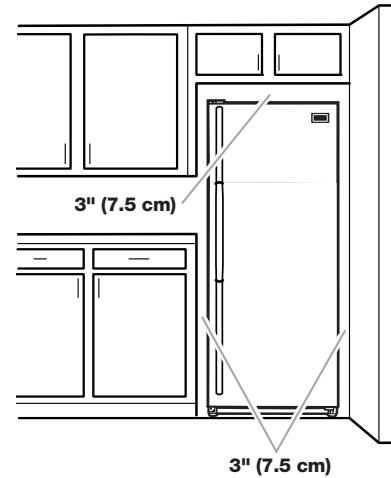
- Keep flammable materials and vapors, such as gasoline, away from freezer.
- Do not cover the freezer with items such as blankets, sheets, tablecloths, etc. This reduces air circulation.
- Allow at least 3" (7.5 cm) of air space at the top and on both sides of the freezer and 1" (2.5 cm) between the back of the freezer and the wall. If the freezer is to be next to a fixed wall, leave extra space on the hinge side so the door can open wider.

Temperature

Your freezer operates most efficiently when located in an area where the temperature will not fall below 40°F (5°C). Place your freezer in a location where the temperature will not fall below this recommended temperature.

Upon Moving to Final Location

NOTE: Allow for a 3" (7.5 cm) clearance at the top and sides and a 1/4" (6.4 mm) clearance between the appliances.



Electrical Requirements

⚠ WARNING



Electrical Shock Hazard

Plug into a grounded 3 prong outlet.

Do not remove ground prong.

Do not use an adapter.

Do not use an extension cord.

Failure to follow these instructions can result in death, fire, or electrical shock.

Before you move your freezer into its final location, it is important to make sure you have the proper electrical connection.

Recommended Grounding Method

A 115 Volt, 60 Hz., AC only, 15- or 20-amp fused, grounded electrical supply is required. It is recommended that a separate circuit serving only your freezer be provided. Use an outlet that cannot be turned off by a switch. Do not use an extension cord.

NOTE: Before performing any type of installation, cleaning, or removing a light bulb, press and hold TEMP SETTING for 3 seconds to turn off cooling, and then disconnect the freezer from the electrical source.

temp
setting
cooling
on|off

hold 3 sec.

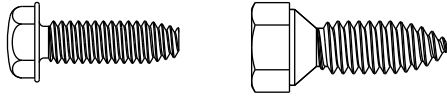
Freezer Door

Tools Needed: 5/16" hex-head socket wrench, 3/8" hex-head socket wrench, flat 2" putty knife.

IMPORTANT:

- All graphics referenced in the following instructions are included later in this section after "Final Steps." The graphics shown are for a right-hand swing door (hinges factory installed on the right).
- If you only want to remove and replace the door, see the "Remove Door and Hinges" and "Replace Door and Hinges."
- Before you begin, press and hold TEMP SETTING for 3 seconds to turn off cooling, and remove food and adjustable door or utility bins from door.

Remove Door and Hinges



Hinge screws

1. Unplug freezer or disconnect power.
2. Keep the freezer door closed until you are ready to lift it free from the cabinet.
NOTE: Provide additional support for the door while the hinges are being moved. Do not depend on the door magnets to hold the door in place while you are working.
3. Remove the parts for the top hinge as shown in Top Hinge graphic.
4. Lift the freezer door free from the bottom hinge and cabinet and set aside.
5. Remove the four hex-head hinge screws and bottom hinge assembly. See Bottom Hinge graphic.

Reverse Door (optional on some models)

IMPORTANT: If you want to reverse your door so that it opens in the opposite direction, continue with "Reverse Door (optional on some models)" instructions. If you are not reversing the door, see "Replace Door and Hinges."

Cabinet

1. Remove the cabinet hinge hole plugs from the cabinet top and move them to the opposite side hinge holes as shown in Graphic 2.
2. Remove the bottom hinge pin from the hinge bracket.
3. Remove the decals covering the holes on the opposite side of the bottom hinge.
4. Reinstall the bottom hinge pin in the alternate hole in the hinge bracket. See Graphic 3.
5. Reinstall the hinge bracket to the cabinet with the four hex-head hinge screws.

Door

1. Remove the hinge hole plug from the top of the door.
2. Remove the door stop from the bottom of the door.
3. Move the door stop to the opposite side making sure that the hole in the door stop bracket is aligned perfectly with the hole in the door for the bottom hinge pin.
4. Using the screws removed in Step 2, fasten the door stop bracket to the bottom of the door.
5. Tighten all screws. Set aside the door until the bottom hinge is in place.

Replace Door and Hinges

NOTE: Graphic may be reversed if door swing is reversed.

1. Replace the parts for the bottom hinge as shown and tighten screws. See Bottom Hinge graphic. Replace the freezer door.
NOTE: Provide additional support for the door while the hinges are being moved. Do not depend on the door magnets to hold the door in place while you are working.
2. Assemble the parts of the top hinge as shown in the Top Hinge graphic. Do not tighten the screws completely.

Final Steps

1. Check all holes to make sure that hole plugs and screws are in place. Reinstall top hinge cover. See Top Hinge graphic.
2. Using the provided decals, cover the remaining holes located on the side opposite the bottom hinge.

⚠ WARNING



Electrical Shock Hazard

Plug into a grounded 3 prong outlet.

Do not remove ground prong.

Do not use an adapter.

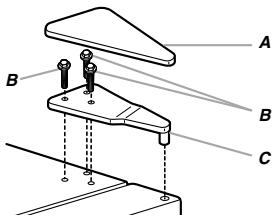
Do not use an extension cord.

Failure to follow these instructions can result in death, fire, or electrical shock.

3. Plug into a grounded 3 prong outlet.
4. Reset the control. See "Using the Control."
5. Return all removable door parts to door and food to freezer.

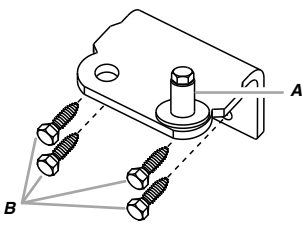
Door Removal & Replacement

Top Hinge



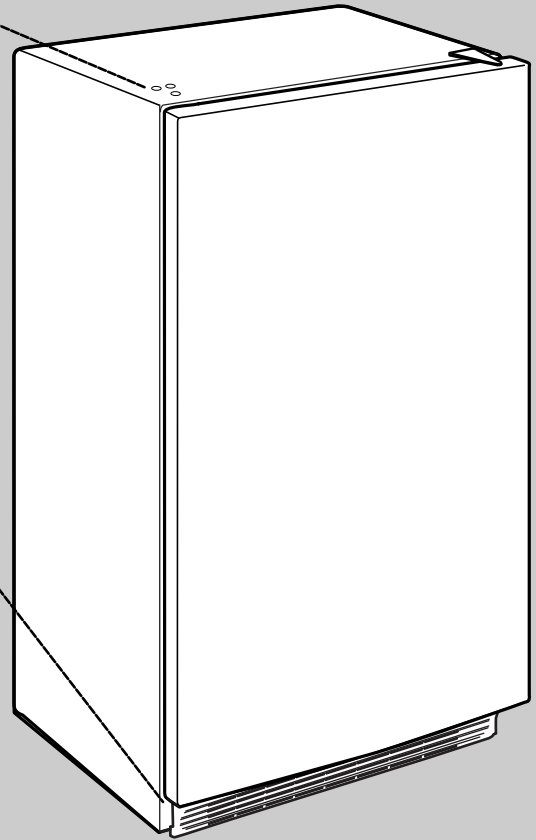
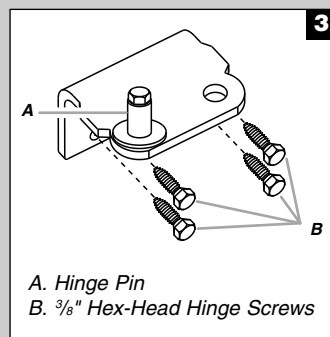
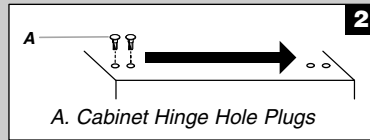
- A. Top Hinge Cover
- B. $\frac{5}{16}$ " Hex-Head Hinge Screws
- C. Top Hinge

Bottom Hinge



- A. Hinge Pin
- B. $\frac{3}{8}$ " Hex-Head Hinge Screws

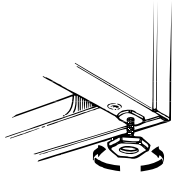
Door Swing Reversal (optional)



Freezer Leveling and Door Closing

Style 1—Without Grille

1. Locate the two front leveling legs taped among the packing materials.
2. Screw these legs into the front holes on the bottom of the freezer. The back of the freezer rests on two fixed supports.
3. Adjust the front legs enough to lift the cabinet up off the floor.
4. Place a leveling tool on top of the freezer first side to side, then front to back. Turn leg counterclockwise to raise a corner. Turn leg clockwise to lower a corner.



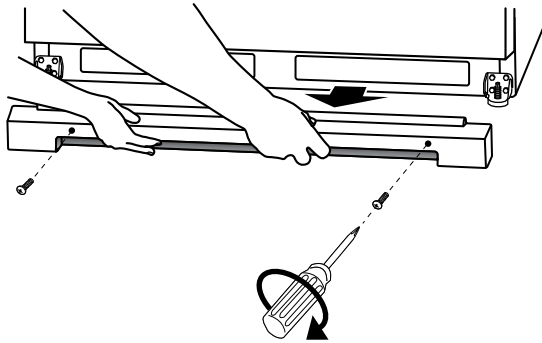
5. Repeat Step 4 until freezer is level.
6. After freezer is fully loaded with food, recheck with level as in Step 4.

Style 2—With Grille

Your freezer has two front adjustable legs, one on each side. The back of the freezer rests on two fixed rollers. The base grille covers the adjustable brake feet and roller assemblies located at the bottom of the freezer below the freezer door. Before making any adjustments, remove the base grille and move the freezer to its final location.

Tools Needed: ¼" hex driver, Phillips head screwdriver

1. Remove the base grille screws. Grasp the grille firmly and pull it toward you. Open the freezer door to access the brake feet.
NOTE: To allow the freezer to roll more easily, raise the brake feet by turning them counterclockwise. The front rollers will be touching the floor.

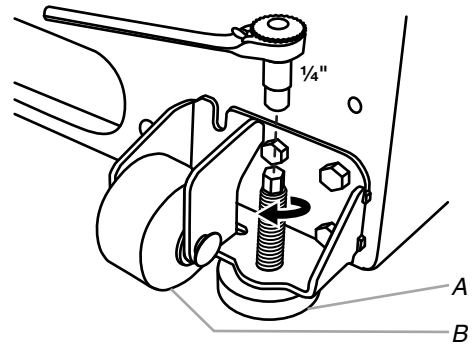


2. Move the freezer to its final location.
3. Lower the brake feet, by turning them clockwise, until the rollers are off the floor and both brake feet are snug against the floor. This keeps the freezer from rolling forward when opening the freezer door.
IMPORTANT: If you need to make further adjustments involving the brake feet, you must turn both brake feet the same amount to keep the freezer level.
4. Make sure the door closes easily. If you are satisfied with the door opening and closing, skip the next section. If, however, the door does not close easily or the door pops open, adjust the tilt.

To Adjust the Cabinet Tilt:

NOTE: Having someone push against the top of the freezer takes some weight off the brake feet. This makes it easier to turn them.

- Open the freezer door. Use a ¼" hex driver to turn both brake feet clockwise the same amount. This will raise the front of the freezer. It may take several turns to allow the door to close more easily.



A. Brake foot
B. Front roller

5. Make sure the freezer is steady. If the freezer seems unsteady or rolls forward when the door is pulled open, adjust the brake feet.

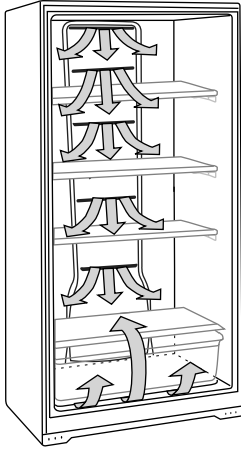
To Steady the Freezer:

- Open the freezer door. Using a ¼" hex driver, turn both brake feet clockwise the same amount until the brake feet are snug against the floor. Check again. If not satisfied, continue to adjust the brake feet by half turns of the screw until the freezer does not roll forward when the door is opened.
6. Replace the base grille by aligning the ends of the grille with the leveling assemblies on each side and snapping the grille into place. Reinstall the Phillips screws.

OPERATING YOUR FREEZER

Ensuring Proper Air Circulation

In order to ensure proper temperature, you need to permit proper airflow in the freezer. As shown in the illustration, cool air enters from the freezer wall and moves down. The air then recirculates through the vent near the bottom.



Do not block any of these vents with food packages. If the vents are blocked, airflow will be restricted, and temperature and moisture problems may occur.

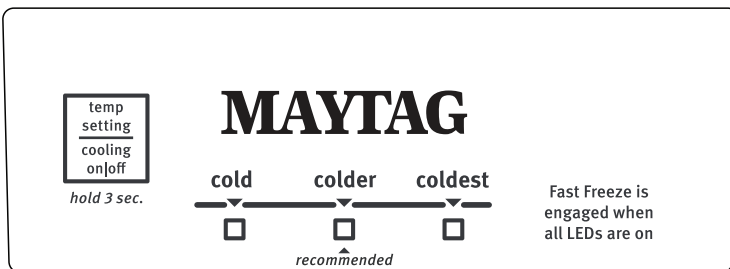
IMPORTANT: To avoid odor transfer and drying out of food, wrap or cover foods tightly.

Using the Control

The temperature control is located at the top front of the freezer compartment

Temperature Control

For your convenience, the temperature control is preset at the factory. When you first install your freezer, check that the control is still set to the recommended setting as shown.



Recommended Setting "Colder"

IMPORTANT:

- The recommended setting is designed to maintain the temperature at or near 0°F (-17.8°C) under normal operating conditions.
- Allow the freezer to cool 6 to 8 hours before filling with frozen food.

- When the freezer is first started, the compressor will run constantly until the freezer is cooled. It may take up to 6 or 8 hours (or longer), depending on room temperature and number of times the freezer door is opened. After the freezer is cooled, the compressor will turn on and off as needed to keep the freezer at the proper temperature.
- The outside of your freezer may feel warm. This is normal. The freezer's design and main function is to remove heat from packages and air space inside the freezer. The heat is transferred to the room air, making the outside of the freezer feel warm.

Adjusting Control

If you need to adjust the temperature in the freezer compartment, press the TEMP SETTING button to display the desired temperature setting from Cold to Coldest.

NOTE: Except when starting the freezer, do not adjust the control more than one setting at a time. Wait 24 hours between adjustments for the temperature to stabilize.

Cooling On/Off

Your freezer will not cool when cooling is turned off.

To turn cooling off, press and hold the TEMP SETTING button for 3 seconds. In the off condition, none of the lights on the control panel will be illuminated. The main freezer light bulb will still operate.

To turn cooling on, press and hold the TEMP SETTING button for 3 seconds. When cooling is on, the control panel lights will be illuminated.

Fast Freeze (on some models)

Use this feature before adding large amounts of unfrozen food. For the best food quality, do not exceed 3 lbs (1,361 g) per cu. ft (28.32 L) of freezer space.

To activate Fast Freeze, press the TEMP SETTING button until all the indicator light positions are illuminated simultaneously.

The freezer will remain in the Fast Freeze setting for 24 hours after the extra-low temperature is reached. Once the time has expired, the freezer will return to the previous temperature setting. Fast Freeze may be manually turned off by pressing the TEMP SETTING button to select the desired temperature setting from Cold to Coldest.

Freezer Features

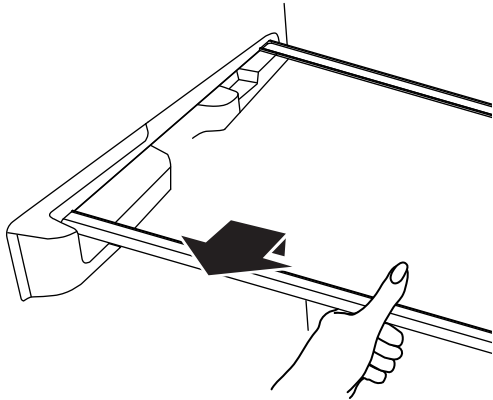
This manual covers several different models. The freezer you have purchased may have some or all of the items listed. The locations of the features may not match those of your model.

Freezer Shelves

Store similar foods together and adjust the shelves to fit different heights. This reduces the time the freezer door is open and saves energy.

To Remove and Replace a Shelf:

1. Remove the shelf by lifting straight up, and pulling the shelf out.



2. Replace the shelf by lowering the shelf onto the supports on the side wall.

Storage Gate (on some models)

To Remove the Storage Gate:

1. Lift up the top of the gate and out of the supports.
2. Return the gate to original position. Lower the gate into the supports.

CARING FOR YOUR FREEZER

! WARNING



Explosion Hazard

Use nonflammable cleaner.

Failure to do so can result in death, explosion, or fire.

Cleaning Your Frost-Free Freezer

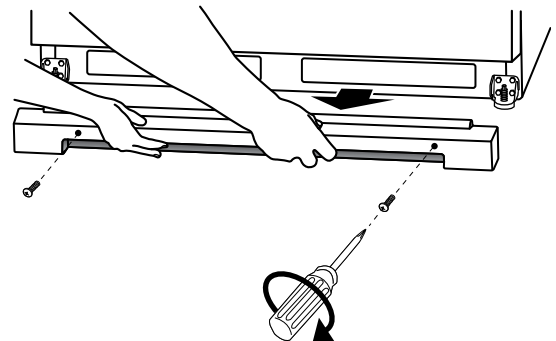
Frost-free means that you will not have to defrost your freezer. Frost is removed by air moving and collecting any moisture and depositing it on the cooling coil. The cooling coil periodically warms up enough to melt the frost, and it then flows down to the drain pan (located behind the base grille) where it is evaporated.

Complete cleaning should be done at least once a year.

1. Press and hold TEMP SETTING for 3 seconds to turn off cooling.
2. Unplug freezer or disconnect power.
3. Remove all frozen food. Wrap frozen food in several layers of newspaper and cover with a blanket. Food will stay frozen for several hours. You may also store frozen food in a cooler, additional refrigerator-freezer, or in a cool area.
4. Remove all removable parts from inside, such as shelves, bins, etc.

5. Hand wash, rinse, and dry removable parts and interior surfaces thoroughly. Use a clean sponge or soft cloth and a mild detergent in warm water.
 - Do not use abrasive or harsh cleaners such as window sprays, scouring cleansers, flammable fluids, cleaning waxes, concentrated detergents, bleaches or cleansers containing petroleum products on plastic parts, interior and door liners or gaskets. Do not use paper towels, scouring pads, or other harsh cleaning tools. These can scratch or damage materials.
 - To help remove odors, you can wash interior walls with a mixture of warm water and baking soda (2 tbs to 1 qt [26 g to 0.95 L] of water).
6. Replace the removable parts.
7. Use the appropriate cleaning method for your exterior finish.

Painted metal: Wash exteriors with a clean sponge or soft cloth and a mild detergent in warm water. Do not use abrasive or harsh cleaners, or cleaners designed for stainless steel. Dry thoroughly with a soft cloth.
8. Remove the base grille by opening the freezer door and removing the two Phillips-head screws. Pull the grille toward you to remove.

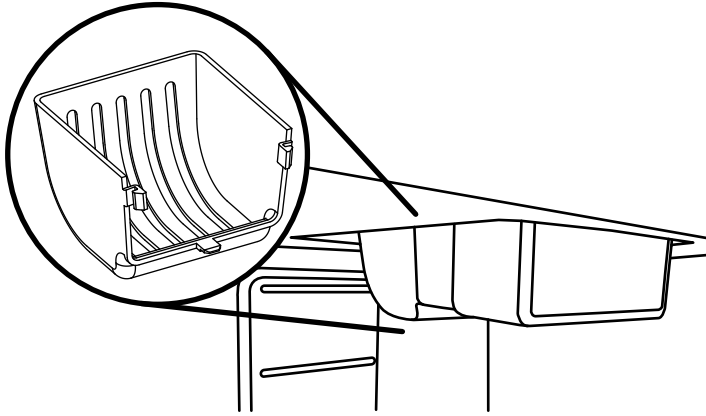


9. Replace the base grille by aligning the ends of the grille with the leveling assemblies on each side and snapping the grille into place. Reinstall the screws.
10. Replace all frozen food.
11. Plug in freezer or reconnect power.
12. Set temperature control to desired setting. See “Using the Control.”

Changing the Light Bulb

NOTE: Not all appliance bulbs will fit your freezer. Be sure to replace the bulb with one of the same size, shape, and wattage.

1. Unplug freezer or disconnect power.
2. Remove the light shield by squeezing the lens from the sides, pushing back and pulling down.



3. Replace bulb with a 40-watt maximum appliance bulb or LED bulb.
NOTE: LED bulb must be purchased from an authorized dealer.
4. Replace the light shield.
5. Plug in freezer or reconnect power.

Power Interruptions

If the power will be out for 24 hours or less, keep the door closed to help food stay cold and frozen.

If the power will be out for more than 24 hours, do one of the following:

- Remove all frozen food and store it in a frozen food locker.
- If a food locker is not available, consume or can perishable food at once.

REMEMBER: A full freezer stays cold longer than a partially filled one. A freezer full of meat stays cold longer than a freezer full of baked goods. If you see that food contains ice crystals, it may be refrozen, although the quality and flavor may be affected. If the condition of the food is poor, dispose of it.

Moving Care

When you are moving your freezer to a new home, follow these steps to prepare it for the move.

1. Remove all frozen food.
2. Unplug the freezer.
3. Take out all removable parts, wrap them well, and tape them together so they don't shift and rattle during the move.
4. Clean the freezer thoroughly.
5. Tape the freezer shut and tape the electrical cord to the cabinet.

When you get to your new home, refer to the “Installing Your Freezer” and “Operating Your Freezer” sections for information on installation and setting the controls.

PROBLEM SOLVER

First try the solutions suggested here. If you need further assistance or more recommendations that may help you avoid a service call, refer to the warranty page in this manual and scan the code with your mobile device, or visit http://www.maytag.com/product_help. In Canada visit <http://www.maytag.ca>.

Contact us by mail with any questions or concerns at the address below:

In the U.S.A.:

Maytag Brand Home Appliances
Customer eXperience Center
553 Benson Road
Benton Harbor, MI 49022-2692

In Canada:

Maytag Brand Home Appliances
Customer eXperience Centre
200 – 6750 Century Ave.
Mississauga, Ontario L5N 0B7

Please include a daytime phone number in your correspondence.

Freezer Operation

⚠ WARNING



Electrical Shock Hazard

Plug into a grounded 3 prong outlet.

Do not remove ground prong.

Do not use an adapter.

Do not use an extension cord.

Failure to follow these instructions can result in death, fire, or electrical shock.

⚠ WARNING



Explosion Hazard

Use nonflammable cleaner.

Failure to do so can result in death, explosion, or fire.

PROBLEM	RECOMMENDED SOLUTIONS
Freezer Will Not Operate	<p>Check that the freezer is not running an automatic defrost cycle.</p> <p>Check that it is plugged into a grounded 3 prong outlet.</p> <p>Check that the temperature control is turned on.</p> <p>Replace the fuse or reset the circuit breaker.</p> <p>NOTE: If problems continue, contact an electrician.</p>
Lights Do Not Work	<p>Check that it is plugged into a grounded 3 prong outlet.</p> <p>Check that the light bulb is tight in the socket and is not burned out.</p>
Water in Defrost Drain Pan	<p>It is normal for water to drip into the defrost drain pan when freezer is defrosting.</p> <p>When humidity is high, it is normal for water in the defrost pan to take longer to evaporate.</p>
Motor Seems to Run Too Much	<p>Check that door closes properly.</p> <p>Defrost and clean the freezer to remove excessive frost.</p> <p>Adding a large amount of food warms the freezer causing the freezer to run longer to cool back down. If this is the situation, wait approximately 6 to 8 hours to allow the freezer to reach the correct temperature.</p> <p>Get all items out at one time, keep food organized and close door as soon as possible.</p> <p>Check that the condenser coils are clean.</p> <p>Check that the door gasket is sealed all the way around. If not, contact a qualified person or technician.</p> <p>Check that space around freezer meets air circulation requirements. See "Location Requirements."</p> <p>NOTE: If none of the above, your new freezer will run longer than your old one due to its high-efficiency motor.</p>

PROBLEM	RECOMMENDED SOLUTIONS
Temperature Is Too Warm	<p>Check that air vents are clear. See “Ensuring Proper Air Circulation” for air vent locations.</p> <p>Get all items out at one time, keep food organized and close door as soon as possible.</p> <p>Adding a large amount of food warms the freezer causing the freezer to run longer to cool back down.</p> <p>Check that the temperature control is set correctly for surrounding conditions.</p>
The Door Will Not Close Completely or Is Difficult To Open	<p>Check that there are no food packages blocking the door.</p> <p>On some models, check that the shelves and basket are in the correct position.</p> <p>Check that gaskets are clean. See “Caring for Your Freezer.”</p> <p>Check that the freezer is stable. See “Freezer Leveling and Door Closing.”</p>
Freezer Makes Loud Buzzing/ Clicking Sound	<p>If the freezer has recently been plugged in or turned on following a defrost or product move, or if there has been an extended power failure, turn off the temperature alarm for the next 24 hours.</p> <p>Adding a large amount of food warms the freezer. It can take several hours for the freezer to return to normal temperature. Turn the temperature alarm off for the next 24 hours.</p>

MAYTAG® MAJOR APPLIANCE LIMITED WARRANTY

ATTACH YOUR RECEIPT HERE. PROOF OF PURCHASE IS REQUIRED TO OBTAIN WARRANTY SERVICE.

Please have the following information available when you call the Customer eXperience Center:

- Name, address and telephone number
- Model number and serial number
- A clear, detailed description of the problem
- Proof of purchase including dealer or retailer name and address

IF YOU NEED SERVICE:

1. Before contacting us to arrange service, please determine whether your product requires repair. Some questions can be addressed without service. Please take a few minutes to review the Troubleshooting or Problem Solver section of the Use and Care Guide, scan the QR code on the right to access additional resources, or visit https://www.maytag.com/product_help.
2. All warranty service is provided exclusively by our authorized Maytag Service Providers. In the U.S. and Canada, direct all requests for warranty service to:

Maytag Customer eXperience Center

In the U.S.A., call 1-800-688-9900. In Canada, call 1-800-807-6777.

If outside the 50 United States or Canada, contact your authorized Maytag dealer to determine whether another warranty applies.



https://www.maytag.com/product_help

ONE YEAR LIMITED WARRANTY

WHAT IS COVERED

For one year from the date of purchase, when this major appliance is installed, operated and maintained according to instructions attached to or furnished with the product, Maytag brand of Whirlpool Corporation or Whirlpool Canada LP (hereafter "Maytag") will pay for Factory Specified Replacement Parts and repair labor to correct defects in materials or workmanship that existed when this major appliance was purchased, or at its sole discretion replace the product. In the event of product replacement, your appliance will be warranted for the remaining term of the original unit's warranty period.

YOUR SOLE AND EXCLUSIVE REMEDY UNDER THIS LIMITED WARRANTY SHALL BE PRODUCT REPAIR AS PROVIDED HEREIN. Service must be provided by a Maytag designated service company. This limited warranty is valid only in the United States or Canada and applies only when the major appliance is used in the country in which it was purchased. This limited warranty is effective from the date of original consumer purchase. Proof of original purchase date is required to obtain service under this limited warranty.

WHAT IS NOT COVERED

1. Commercial, non-residential, multiple-family use, or use inconsistent with published user, operator or installation instructions.
2. In-home instruction on how to use your product.
3. Service to correct improper product maintenance or installation, installation not in accordance with electrical or plumbing codes or correction of household electrical or plumbing (i.e. house wiring, fuses or water inlet hoses).
4. Consumable parts (i.e. light bulbs, batteries, air or water filters, preservation solutions, etc.).
5. Conversion of products from natural gas or L.P. gas.
6. Damage from accident, misuse, abuse, fire, floods, acts of God or use with products not approved by Maytag.
7. Repairs to parts or systems to correct product damage or defects caused by unauthorized service, alteration or modification of the appliance.
8. Cosmetic damage including scratches, dents, chips, and other damage to the appliance finishes unless such damage results from defects in materials and workmanship and is reported to Maytag within 30 days.
9. Discoloration, rust or oxidation of surfaces resulting from caustic or corrosive environments including but not limited to high salt concentrations, high moisture or humidity or exposure to chemicals.
10. Food or medicine loss due to product failure.
11. Pick-up or delivery. This product is intended for in-home repair.
12. Travel or transportation expenses for service in remote locations where an authorized Maytag servicer is not available.
13. Removal or reinstallation of inaccessible appliances or built-in fixtures (i.e. trim, decorative panels, flooring, cabinetry, islands, countertops, drywall, etc.) that interfere with servicing, removal or replacement of the product.
14. Service or parts for appliances with original model/serial numbers removed, altered or not easily determined.

The cost of repair or replacement under these excluded circumstances shall be borne by the customer.

DISCLAIMER OF IMPLIED WARRANTIES

IMPLIED WARRANTIES, INCLUDING ANY IMPLIED WARRANTY OF MERCHANTABILITY OR IMPLIED WARRANTY OF FITNESS FOR A PARTICULAR PURPOSE, ARE LIMITED TO ONE YEAR OR THE SHORTEST PERIOD ALLOWED BY LAW. Some states and provinces do not allow limitations on the duration of implied warranties of merchantability or fitness, so this limitation may not apply to you. This warranty gives you specific legal rights, and you also may have other rights that vary from state to state or province to province.

DISCLAIMER OF REPRESENTATIONS OUTSIDE OF WARRANTY

Maytag makes no representations about the quality, durability, or need for service or repair of this major appliance other than the representations contained in this warranty. If you want a longer or more comprehensive warranty than the limited warranty that comes with this major appliance, you should ask Maytag or your retailer about buying an extended warranty.

LIMITATION OF REMEDIES; EXCLUSION OF INCIDENTAL AND CONSEQUENTIAL DAMAGES

YOUR SOLE AND EXCLUSIVE REMEDY UNDER THIS LIMITED WARRANTY SHALL BE PRODUCT REPAIR AS PROVIDED HEREIN. MAYTAG SHALL NOT BE LIABLE FOR INCIDENTAL OR CONSEQUENTIAL DAMAGES. Some states and provinces do not allow the exclusion or limitation of incidental or consequential damages, so these limitations and exclusions may not apply to you. This warranty gives you specific legal rights, and you also may have other rights that vary from state to state or province to province.



Guide d'utilisation

Congélateur vertical

Nous vous REMERCIONS d'avoir acheté ce produit de haute qualité. Enregistrer le congélateur sur www.maytag.com. Au Canada, enregistrer le congélateur sur www.maytag.ca.

Pour référence ultérieure, consignez par écrit les numéros de modèle et de série de votre produit. Vous trouverez les numéros de modèle et de série à l'intérieur du congélateur.

Numéro de modèle

Numéro de série

TABLE DES MATIÈRES

SÉCURITÉ	1	ENTRETIEN DU CONGÉLATEUR	7
INSTALLATION DU CONGÉLATEUR	2	Nettoyage du congélateur sans givre	7
Déballage	2	Remplacement de l'ampoule d'éclairage	8
Exigences d'emplacement	3	Pannes de courant électrique	8
Spécifications électriques.....	3	Déménagement	8
Porte du congélateur	4	RÉSOLUTION DE PROBLÈMES	9
Mise à niveau du congélateur et fermeture de la porte	5	Fonctionnement du congélateur.....	9
UTILISATION DU CONGÉLATEUR	6	GARANTIE	11
Pour s'assurer d'une circulation d'air appropriée.....	6		
Utilisation de la commande.....	6		
Caractéristiques du congélateur	7		

SÉCURITÉ

Votre sécurité et celle des autres est très importante.

Nous donnons de nombreux messages de sécurité importants dans ce manuel et sur votre appareil ménager. Assurez-vous de toujours lire tous les messages de sécurité et de vous y conformer.



Voici le symbole d'alerte de sécurité.

Ce symbole d'alerte de sécurité vous signale les dangers potentiels de décès et de blessures graves à vous et à d'autres.

Tous les messages de sécurité suivront le symbole d'alerte de sécurité et le mot "DANGER" ou "AVERTISSEMENT". Ces mots signifient :

⚠ DANGER

Risque possible de décès ou de blessure grave si vous ne suivez pas immédiatement les instructions.

⚠ AVERTISSEMENT

Risque possible de décès ou de blessure grave si vous ne suivez pas les instructions.

Tous les messages de sécurité vous diront quel est le danger potentiel et vous disent comment réduire le risque de blessure et ce qui peut se produire en cas de non-respect des instructions.

IMPORTANTES INSTRUCTIONS DE SÉCURITÉ

AVERTISSEMENT : Pour réduire les risques d'incendie, de choc électrique ou des blessures lors de l'utilisation du congélateur, prendre quelques précautions fondamentales, y compris les suivantes :

- Brancher l'appareil sur une prise à 3 alvéoles reliée à la terre.
- Ne pas enlever la broche de liaison à la terre.
- Ne pas utiliser un adaptateur.
- Ne pas utiliser un câble de rallonge.
- Débrancher la source de courant électrique avant l'entretien.
- Replacer pièces et panneaux avant de faire la remise en marche.
- Utiliser un produit de nettoyage ininflammable.
- Garder les matériaux et les vapeurs inflammables, telle que l'essence, loin du congélateur.
- Utiliser deux ou plus de personnes pour déplacer et installer le congélateur.
- Garder la clé loin des enfants.
- Enlever les portes ou le couvercle de votre vieux congélateur ou réfrigérateur.
- Débrancher la source de courant électrique avant l'installation de la machine à glaçons (seulement pour modèles prêts à recevoir une machine à glaçons).

CONSERVEZ CES INSTRUCTIONS

Avertissements de la proposition 65 de l'État de Californie :

AVERTISSEMENT : Ce produit contient au moins un produit chimique connu par l'État de Californie pour être à l'origine de cancers.

AVERTISSEMENT : Ce produit contient au moins un produit chimique connu par l'État de Californie pour être à l'origine de malformations et autres déficiences de naissance.

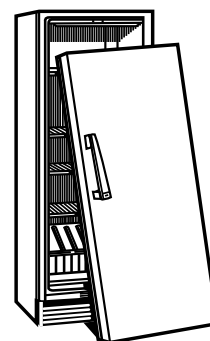
MISE AU REBUT APPROPRIÉE DE VOTRE VIEUX CONGÉLATEUR OU RÉFRIGÉRATEUR

⚠ AVERTISSEMENT

Risque de suffoquer

Enlever les portes ou le couvercle de votre vieux congélateur ou réfrigérateur.

Le non-respect de cette instruction peut causer un décès ou des lésions cérébrales.



IMPORTANT : Le problème des enfants trouvés enfermés ou étouffés n'est pas un problème révolu. Les congélateurs ou réfrigérateurs jetés ou abandonnés présentent des dangers, même s'ils sont abandonnés pendant "quelques jours" seulement. Si vous vous débarrassez de votre vieux réfrigérateur ou congélateur, veuillez suivre les instructions suivantes pour aider à éviter les accidents.

Avant de mettre au rebut votre vieux congélateur ou réfrigérateur :

- Enlever les portes ou le couvercle.
- Laisser les tablettes en place, de sorte que les enfants ne puissent pas facilement se glisser à l'intérieur.

Renseignements importants à propos de la mise au rebut des fluides réfrigérants :

Mettre le congélateur au rebut conformément à la réglementation fédérale et locale. Les fluides réfrigérants doivent être évacués par un technicien certifié et agréé par l'EPA conformément aux procédures établies.

INSTALLATION DU CONGÉLATEUR

Déballage

⚠ AVERTISSEMENT

Risque du poids excessif

Utiliser deux ou plus de personnes pour déplacer et installer le congélateur.

Le non-respect de cette instruction peut causer une blessure au dos ou d'autre blessure.

Enlèvement des matériaux d'emballage

- Enlever le ruban adhésif et la colle des surfaces du congélateur avant de le mettre en marche. Frotter une petite quantité de savon liquide pour la vaisselle sur l'adhésif avec les doigts. Rincer à l'eau tiède et essuyer.
- Ne pas utiliser d'instruments coupants, d'alcool à friction, de liquides inflammables ou de nettoyants abrasifs pour enlever le ruban adhésif ou la colle. Ces produits peuvent endommager la surface de votre congélateur. Pour plus de renseignements, voir "Sécurité".

Déplacement de votre congélateur :

Votre congélateur est lourd. Lors du déplacement de votre congélateur pour le nettoyage ou un entretien, veiller à recouvrir le plancher avec du carton ou un panneau de fibre dur pour éviter qu'il ne subisse tout dommage. Toujours tirer le congélateur tout droit lors du déplacement. Ne pas incliner le congélateur d'un côté ou de l'autre ni le "faire marcher" en essayant de le déplacer car le plancher pourrait être endommagé.

Nettoyage avant l'utilisation

Après avoir enlevé tous les matériaux d'emballage, nettoyer l'intérieur du congélateur avant l'utilisation. Voir les instructions de nettoyage à "Entretien du congélateur".

Importants renseignements à savoir au sujet des tablettes et des couvercles en verre :

Ne pas nettoyer les tablettes ou couvercles en verre avec de l'eau tiède quand ils sont froids. Les tablettes et les couvercles peuvent se briser s'ils sont exposés à des changements soudains de température ou à un impact tel que coup brusque. Le verre trempé est conçu pour éclater en d'innombrables pièces minuscules. Ceci est normal. Les tablettes et les couvercles en verre sont lourds. Les saisir à deux mains lors de leur dépose afin d'éviter de les faire tomber.

Exigences d'emplacement

⚠ AVERTISSEMENT



Risque d'explosion

Garder les matériaux et les vapeurs inflammables, telle que l'essence, loin du congélateur.

Le non-respect de cette instruction peut causer un décès, une explosion ou un incendie.

Ventilation et dégagement

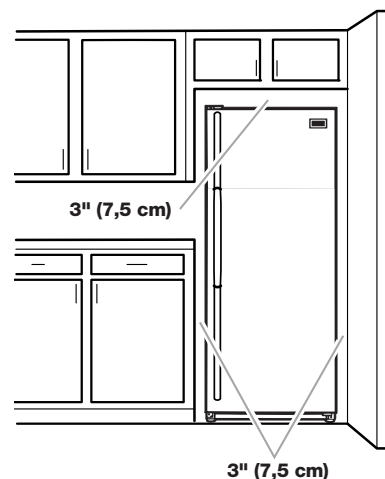
- Garder les matériaux et les vapeurs inflammables, tels que l'essence, loin du congélateur.
- Ne pas couvrir le congélateur avec des articles tels que couvertures, draps, nappes de table, etc. Ceci réduit la circulation d'air.
- Laisser un espace d'au moins 3" (7,5 cm) des deux côtés du congélateur et de 1" (2,5 cm) entre l'arrière du congélateur et le mur. Si le congélateur est installé près un mur fixe, laisser un espace supplémentaire du côté des charnières pour une plus grande ouverture de la porte.

Température

Le congélateur fonctionne à son efficacité maximale lorsqu'il se trouve dans un endroit où la température ne descend pas en dessous de 40°F (5°C). Installer le congélateur dans un endroit où la température ne descend pas en dessous de cette température recommandée.

En cas de déplacement à son emplacement final

REMARQUE : Laisser un dégagement de 3" (7,5 cm) sur le dessus et un dégagement de 1/4" (6,4 mm) entre les appareils.



Spécifications électriques

⚠ AVERTISSEMENT



Risque de choc électrique

Brancher sur une prise à 3 alvéoles reliée à la terre.

Ne pas enlever la broche de liaison à la terre.

Ne pas utiliser un adaptateur.

Ne pas utiliser un câble de rallonge.

Le non-respect de ces instructions peut causer un décès, un incendie ou un choc électrique.

Avant de déplacer le congélateur à son emplacement final, il est important de vous assurer d'avoir le raccordement électrique approprié.

Méthode recommandée de mise à la terre

Une source de courant électrique de 115 V, 60 Hz, CA seulement, et protégée par un fusible de 15 ou 20 ampères, adéquatement mise à la terre est nécessaire. Il est recommandé d'utiliser un circuit distinct pour alimenter uniquement le congélateur. Utiliser une prise de courant murale qui ne peut pas être mise hors circuit à l'aide d'un commutateur. Ne pas employer un câble de rallonge.

REMARQUE : Avant de procéder à tout type d'installation, de nettoyage ou de changement d'une ampoule, appuyer sans relâcher sur TEMP SETTING (réglage de la température) pendant 3 secondes pour désactiver le refroidissement, puis déconnecter le congélateur de la source de courant électrique.

temp
setting
cooling
on|off

hold 3 sec.

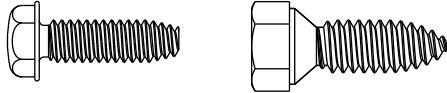
Porte du congélateur

Outillage nécessaire : Clé à douille à tête hexagonale de $\frac{5}{16}$ " , clé à douille à tête hexagonale de $\frac{3}{8}$ " , couteau à mastic plat de 2".

IMPORTANT :

- Toutes les illustrations mentionnées dans les instructions suivantes sont incluses plus loin dans cette section après "Étapes finales". Les illustrations correspondent à une porte s'ouvrant à droite (charnières installées à droite à l'usine).
- Si vous désirez seulement enlever et réinstaller les portes, voir "Démontage - Portes et charnières" et "Réinstallation - Portes et charnières".
- Avant de commencer, appuyer sans relâcher sur TEMP SETTING (réglage de la température) pendant 3 secondes pour désactiver le refroidissement, et retirer les aliments et tout balconnet réglable ou compartiment utilitaire de la porte.

Démontage - Portes et charnières



Vis de charnière

1. Débrancher le congélateur ou déconnecter la source de courant électrique.
2. Fermer la porte du congélateur; et la maintenir fermée jusqu'au moment où on est prêt à la séparer de la caisse de l'appareil.
REMARQUE : Prévoir un support additionnel des portes pendant la réinstallation des charnières. La force d'attraction des aimants des portes ne suffit pas à les maintenir en place.
3. Retirer les pièces de la charnière supérieure - voir l'illustration charnière supérieure.
4. Soulever la porte du congélateur pour la séparer de la charnière inférieure et de la caisse et la conserver à part.
5. Retirer les quatre vis de charnière à tête hexagonale et la charnière inférieure. Voir l'illustration charnière inférieure.

Inversion du sens d'ouverture des portes (facultatif sur certains modèles)

IMPORTANT : Si vous souhaitez inverser le sens d'ouverture des portes, suivre les instructions de la section "Inversion du sens d'ouverture des portes (facultatif - sur certains modèles)". S'il n'est pas nécessaire de changer l'orientation des portes, voir "Réinstallation - Portes et charnières".

Caisse

1. Enlever les bouchons d'obturation des trous de charnière au sommet de la caisse; transférer ceux-ci dans les trous de charnière du côté opposé. Voir l'illustration 2.
2. Retirer l'écrou de l'axe de la charnière et l'axe du support de charnière.
3. Retirer les œillets recouvrant les trous du côté opposé de la charnière inférieure.
4. Réinstaller l'axe de charnière dans l'autre trou de la bride de charnière. Voir l'illustration 3.
5. Réinstaller la bride de charnière sur la caisse à l'aide des quatre vis de charnière à tête hexagonale.

Porte

1. Enlever le bouchon d'obturation de la partie supérieure de charnière au sommet de la porte.
2. Retirer la butée de porte du bas de la porte.
3. Placer la butée de porte du côté opposé en s'assurant que le trou de la plaque de butée de porte est parfaitement aligné avec le trou de la porte destiné à l'axe de charnière inférieure.
4. À l'aide des vis retirées à l'étape 2, fixer le support de butée de porte au bas de la porte.
5. Serrer toutes les vis. Conserver la porte du congélateur à part jusqu'à la mise en place de la charnière inférieure.

Réinstallation - Portes et charnières

REMARQUE : Si on inverse le sens d'ouverture des portes, considérer l'image symétrique.

1. Replacer les pièces de la charnière inférieure tel qu'illustré et serrer les vis. Voir l'illustration Charnière inférieure. Réinstaller la porte du congélateur.
REMARQUE : Prévoir un support additionnel des portes pendant la réinstallation des charnières. La force d'attraction des aimants des portes ne suffit pas à les maintenir en place.
2. Assembler les pièces de la charnière supérieure (voir l'illustration charnière supérieure). Ne pas complètement serrer les vis.

Étapes finales

1. Inspecter tous les trous. Vérifier que tous les bouchons d'obturation et vis sont en place. Réinstaller le couvercle de la charnière supérieure. Voir l'illustration charnière supérieure.
2. À l'aide des œillets fournis, recouvrir les trous restants situés sur le côté opposé de la charnière inférieure.

⚠ AVERTISSEMENT



Risque de choc électrique

Brancher sur une prise à 3 alvéoles reliée à la terre.

Ne pas enlever la broche de liaison à la terre.

Ne pas utiliser un adaptateur.

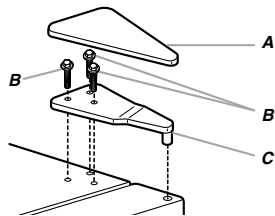
Ne pas utiliser un câble de rallonge.

Le non-respect de ces instructions peut causer un décès, un incendie ou un choc électrique.

3. Brancher sur une prise à 3 alvéoles reliée à la terre.
4. Réinitialiser la commande. Voir "Utilisation de la commande".
5. Réinstaller toutes les pièces amovibles des portes et remettre les aliments dans le compartiment de congélation.

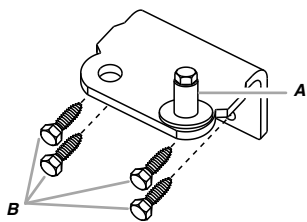
Dépose et réinstallation de la porte

Charnière supérieure



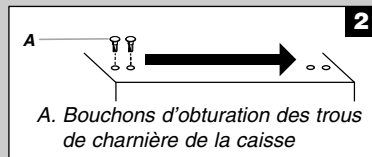
- A. Couvercle de charnière supérieure
 B. Vis de charnière à tête hexagonale de $\frac{5}{16}$ "
 C. Charnière supérieure

Charnière inférieure

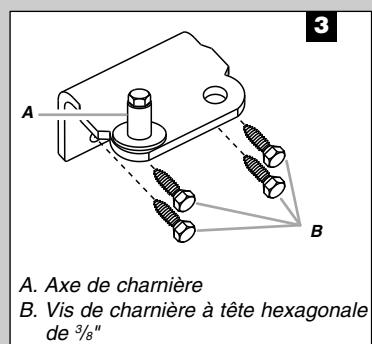


- A. Vis de butée de porte
 B. Vis de charnière à tête hexagonale de $\frac{3}{8}$ "

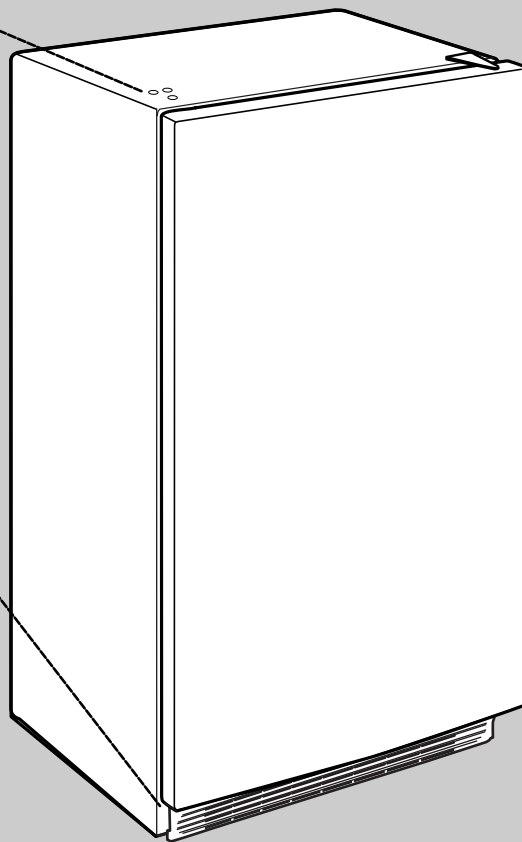
Inversion du sens d'ouverture de la porte (facultatif)



- A. Bouchons d'obturation des trous de charnière de la caisse



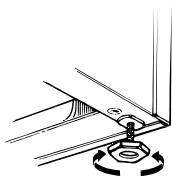
- A. Axe de charnière
 B. Vis de charnière à tête hexagonale de $\frac{3}{8}$ "



Mise à niveau du congélateur et fermeture de la porte

Style 1—sans grille

1. Repérer les deux pieds de nivellement avant fixés parmi les matériaux d'emballage.
2. Visser ces pieds dans les trous avant situés au bas du congélateur. L'arrière du congélateur repose sur 2 supports fixes.
3. Ajuster suffisamment les pieds avant pour séparer la caisse du sol.
4. Placer un niveau au sommet de la caisse du congélateur, transversalement puis dans le sens avant-arrière. Pour soulever un coin, faire tourner le pied dans le sens antihoraire. Pour abaisser un coin, faire tourner le pied dans le sens horaire.



5. Répéter l'étape 4 jusqu'à ce que le congélateur soit d'aplomb.
6. Lorsque le congélateur est complètement rempli d'aliments, revérifier avec un niveau comme à l'étape 4.

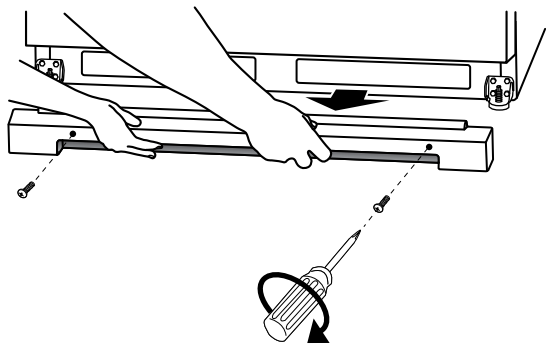
Style 2—avec grille

Le congélateur est équipé de 2 pieds avant réglables, un de chaque côté. L'arrière du congélateur repose sur 2 roulettes fixes. La grille de la base recouvre les pieds de stabilisation réglables et les roulettes situées au bas du congélateur sous la porte du congélateur. Avant de réaliser les ajustements, retirer la grille de la base et déplacer le congélateur à son emplacement définitif.

Outils nécessaires : tourne-écrou de $\frac{1}{4}$ ", tournevis Phillips

1. Retirer les vis de la grille de la base. Saisir la grille fermement et la tirer vers soi. Ouvrir la porte du congélateur pour accéder aux pieds de stabilisation.

REMARQUE : Pour permettre au congélateur de rouler plus facilement, soulever les pieds de stabilisation en les tournant dans le sens antihoraire. Les roulettes avant toucheront le plancher.



2. Déplacer le congélateur jusqu'à son emplacement final.
3. Abaisser les pieds de stabilisation en les tournant dans le sens horaire, jusqu'à ce que les roulettes ne touchent plus le sol et que les deux pieds de stabilisation soient fermement en appui sur le sol. Cet arrangement vise à empêcher le congélateur de rouler vers l'avant à l'ouverture des portes.

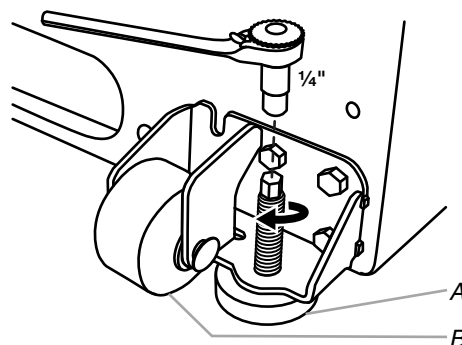
IMPORTANT : Si des arrangements sont nécessaires par la suite et si cela comprend les pieds de stabilisation, les deux pieds de stabilisation doivent être tournés de façon égale pour conserver l'aplomb du congélateur.

4. S'assurer que la porte ferme facilement. Si vous êtes satisfait de la facilité avec laquelle la porte s'ouvre et se ferme, sauter la section suivante. Cependant, si la porte ne ferme pas facilement ou qu'elle s'ouvre d'elle-même, régler l'inclinaison.

Réglage de l'inclinaison de la caisse :

REMARQUE : Si une autre personne pousse le haut du congélateur, le poids devient moins lourd sur les pieds de nivellement. Ceci facilite leur rotation.

- Ouvrir la porte du congélateur. Utiliser un tourne-écrou de 1/4" pour tourner les deux pieds de stabilisation du même nombre de tours dans le sens horaire. Cela soulève l'avant du congélateur. Cela peut nécessiter plusieurs tours pour permettre à la porte de se fermer plus facilement.



A. Pied de stabilisation
B. Roulette avant

5. S'assurer que le congélateur est stable. Si le congélateur semble instable ou qu'il roule vers l'avant lorsqu'on ouvre la porte, régler les pieds de nivellement.

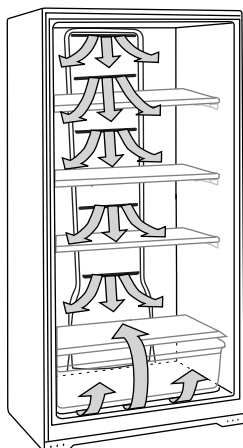
Stabilisation du congélateur :

- Ouvrir la porte du congélateur. Utiliser un tourne-écrou de 1/4" pour tourner les deux pieds de stabilisation du même nombre de tours dans le sens horaire, jusqu'à ce qu'ils soient fermement en appui sur le sol. Vérifier de nouveau. Si le résultat n'est pas satisfaisant, continuer de régler les pieds de nivellement en tournant la vis par demi-tours jusqu'à ce que le congélateur ne roule plus vers l'avant lors de l'ouverture de la porte.
6. Réinstaller la grille de la base en alignant les extrémités de la grille avec les dispositifs de nivellement de chaque côté et emboîter la grille. Réinstaller les vis Phillips.

UTILISATION DU CONGÉLATEUR

Pour s'assurer d'une circulation d'air appropriée

Pour s'assurer d'avoir des températures appropriées, il faut permettre à l'air de circuler dans le congélateur. Comme l'indique l'illustration, l'air froid pénètre par la paroi du congélateur et se déplace vers le bas. L'air recircule ensuite par l'évent près de la base.



Ne pas obstruer l'une ou l'autre de ces ouvertures d'aération avec des emballages d'aliments. Si les ouvertures d'aération sont bloquées, le courant d'air sera coupé et des problèmes de température et d'humidité peuvent survenir.

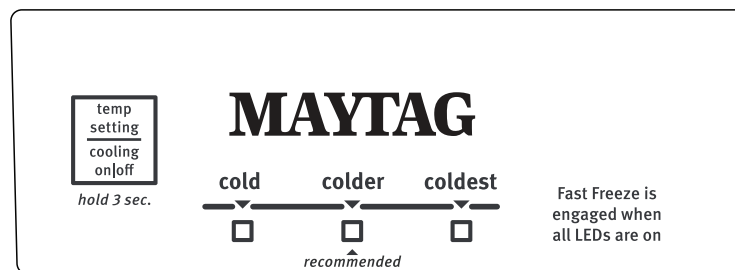
IMPORTANT : Pour empêcher le transfert d'odeurs et l'assèchement des aliments, envelopper ou recouvrir hermétiquement les aliments.

Utilisation de la commande

La commande de la température se trouve dans la partie supérieure avant du compartiment de congélation.

Commande de la température

Pour votre commodité, la commande de température est pré-réglée à l'usine. Lors de l'installation initiale du congélateur, vérifier que la commande est encore pré-réglée au point de réglage recommandé tel qu'illustré.



"Colder" est le réglage recommandé

IMPORTANT :

- Ce réglage est conçu pour maintenir la température à environ 0°F (-17,8°C) dans des conditions de fonctionnement normales.
- Laisser le congélateur refroidir pendant 6 ou 8 heures avant de le remplir de produits surgelés.
- Lorsque le congélateur est mis en marche pour la première fois, le compresseur fonctionne sans cesse jusqu'à ce que le congélateur soit refroidi. Cela peut durer entre 6 et 8 heures (ou plus), en fonction de la température de la pièce et de la fréquence d'ouverture de la porte de congélateur. Une fois le congélateur refroidi, le compresseur s'allume et s'éteint par intermittence selon le besoin, afin de permettre au congélateur de rester à la bonne température.

- Il est possible que l'extérieur du congélateur soit chaud. Ceci est normal. La conception du congélateur ainsi que sa fonction principale permettent de supprimer la chaleur provenant des emballages et de l'espace à l'intérieur du congélateur. La chaleur est transférée dans l'air ambiant, ce qui entraîne le réchauffement de l'extérieur du congélateur.

Réglage de la commande

Si le réglage de la température du compartiment de congélation est souhaité, appuyer sur le bouton TEMP SETTING (réglage de la température) pour afficher le réglage de la température désiré, du flocon de neige de gauche (le moins froid) au flocon de neige de droite (le plus froid).

REMARQUE : Ne pas régler la commande de plus d'un réglage à la fois, sauf lors de la mise en marche du congélateur. Attendre 24 heures entre chaque réglage pour que la température puisse se stabiliser.

Cooling On/Off

(marche/arrêt du refroidissement)

Le congélateur ne refroidit pas lorsque le refroidissement est désactivé.

Pour désactiver le refroidissement, appuyer sur le bouton TEMP SETTING (réglage de la température) pendant 3 secondes. Si le refroidissement est désactivé, aucun des témoins lumineux du tableau de commande ne s'allume. L'ampoule d'éclairage principale du congélateur continue de fonctionner.

Pour activer le refroidissement, appuyer sur le bouton TEMP SETTING (réglage de la température) pendant 3 secondes. Lorsque le refroidissement est activé, les témoins lumineux du tableau de commande sont allumés.

Fast Freeze (congélation rapide) (sur certains modèles)

Utiliser cette caractéristique avant d'ajouter de grandes quantités d'aliments non congelés. Pour que la qualité des aliments reste optimale, ne pas dépasser 3 lb (1,361 g) d'aliments par pied cube (28,32 L) dans le congélateur.

Pour activer la caractéristique de congélation rapide, appuyer sur le bouton TEMP SETTING (réglage de la température) jusqu'à ce que tous les témoins lumineux des flocons de neige s'allument simultanément.

Le congélateur reste réglé sur congélation rapide pendant 24 heures une fois la très basse température atteinte. Dès que la durée a expiré, le congélateur revient au réglage de température précédent. La caractéristique de congélation rapide peut être désactivée manuellement en appuyant sur TEMP SETTING (réglage de la température) pour sélectionner le réglage de la température désiré, du flocon de neige de gauche (le moins froid) au flocon de neige de droite (le plus froid).

Caractéristiques du congélateur

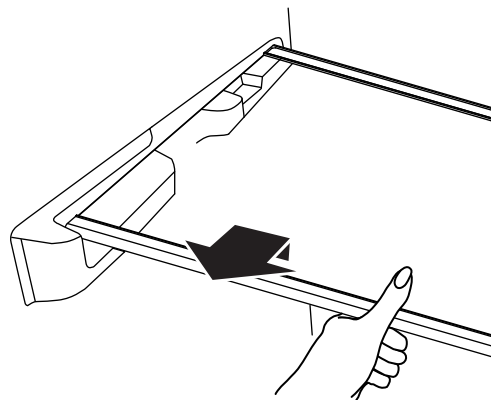
Ce manuel couvre plusieurs modèles différents. Le congélateur que vous avez acheté peut comporter certaines ou toutes les caractéristiques indiquées ci-dessous. Les emplacements des caractéristiques peuvent ne pas correspondre au modèle que vous avez.

Tablettes de congélateur

Le remisage d'aliments semblables ensemble et le réglage des tablettes pour convenir à différentes hauteurs réduiront aussi le temps d'ouverture de la porte du congélateur, ce qui économisera de l'énergie.

Pour retirer et réinstaller une tablette :

1. Retirer la tablette en la soulevant et en la tirant pour l'extraire.



2. Réinstaller la tablette en l'abaissant sur les supports situés sur la paroi latérale.

Barrière d'entreposage (sur certains modèles)

Pour abaisser et lever la barrière d'entreposage :

1. Soulever légèrement le sommet de la barrière, hors des appuis.
2. Retourner la grille à la position verticale. Abaisser la barrière dans les appuis.

ENTRETIEN DU CONGÉLATEUR

Nettoyage du congélateur sans givre

⚠ AVERTISSEMENT



Risque d'explosion

Utiliser un produit de nettoyage ininflammable.

Le non-respect de cette instruction peut causer un décès, une explosion ou un incendie.

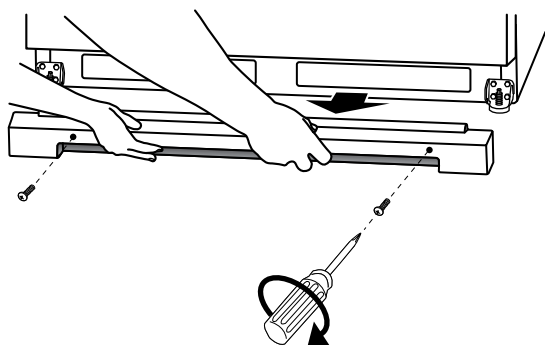
1. Appuyer sur le bouton TEMP SETTING (réglage de la température) pendant 3 secondes pour désactiver le refroidissement.
2. Débrancher le congélateur ou déconnecter la source de courant électrique.
3. Retirer tous les aliments congelés. Envelopper les aliments congelés dans plusieurs épaisseurs de journaux et recouvrir d'une couverture. Les aliments demeureront congelés pendant plusieurs heures. On peut aussi entreposer les aliments congelés dans un contenant refroidisseur, un congélateur/réfrigérateur supplémentaire ou dans un endroit froid.
4. Retirer toutes les pièces amovibles de l'intérieur, telles que les tablettes, bacs, etc.

“Sans givre” signifie que le congélateur n'aura pas besoin d'être dégivré. Le givre est enlevé par l'air en circulation qui accapare toute humidité et la dépose sur le serpentin de refroidissement. Le serpentin de refroidissement se réchauffe périodiquement, juste assez pour faire fondre le givre, et ensuite l'écoule dans le plat d'égouttage (situé derrière la grille de la base) où le liquide s'évapore.

Un nettoyage complet doit être fait au moins une fois par année.

5. Laver à la main, rincer et sécher les pièces amovibles et les surfaces internes à fond. Utiliser une éponge propre ou un linge doux et un détergent doux dans de l'eau tiède.
 - Ne pas utiliser des nettoyants abrasifs tels que les nettoyants à vitre en atomiseurs, nettoyants à récurer, liquides inflammables, cires nettoyantes, détergents concentrés, eaux de Javel ou nettoyants contenant du pétrole sur les pièces en plastique, les garnitures intérieures, ou les joints de portes. Ne pas utiliser d'essuie-tout, tampons à récurer ou autre outil de nettoyage abrasif. Ces produits risquent d'égratigner ou d'endommager les matériaux.
 - Pour aider à éliminer les odeurs, on peut laver les parois intérieures avec un mélange d'eau tiède et de bicarbonate de soude (2 c. à soupe pour 1 pinte [26 g pour 0,95 L] d'eau).
6. Replacer les pièces amovibles.
7. Utiliser la méthode de nettoyage adéquate pour votre finition extérieure.

Métal peint : Laver les surfaces extérieures avec une éponge propre ou un linge doux et un détergent doux dans de l'eau tiède. Ne pas utiliser de nettoyant fort ou abrasif, ni de nettoyant conçu pour l'acier inoxydable. Sécher à fond avec un linge doux.
8. Ouvrir la porte du congélateur et retirer la grille de la base en enlevant les 2 vis Phillips et en tirant la grille vers soi.

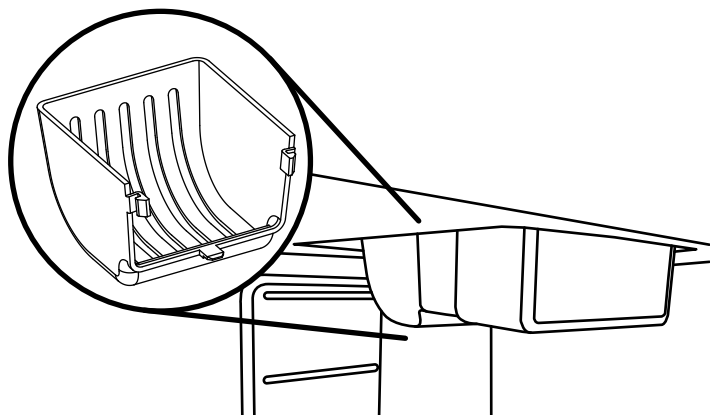


9. Réinstaller la grille de la base en alignant les extrémités de la grille avec les dispositifs de nivellement de chaque côté et emboîter la grille. Réinstaller les vis.
10. Replacer tous les aliments congelés.
11. Brancher le congélateur ou reconnecter la source de courant électrique.
12. Réglage la commande de température au réglage désiré. Voir "Utilisation de la commande".

Remplacement de l'ampoule d'éclairage

REMARQUE : Votre congélateur ne pourra pas accommoder toutes les ampoules pour appareils ménagers. S'assurer de remplacer l'ampoule par une ampoule de grosseur, de forme et de puissance semblables.

1. Débrancher le congélateur ou déconnecter la source de courant électrique.
2. Retirer le protège-ampoule en appuyant sur les côtés du cabochon, en poussant et en tirant vers le bas.



3. Utiliser uniquement une ampoule pour appareil électroménager de 40 watts maximum ou une ampoule DEL.

REMARQUE : L'ampoule DEL doit être achetée chez un revendeur agréé.

4. Réinstaller le protège-ampoule.
5. Brancher le congélateur ou reconnecter la source de courant électrique.

Pannes de courant électrique

Si le courant électrique doit être interrompu pendant 24 heures ou moins, garder la porte fermée pour aider les aliments à demeurer froids et congelés.

Si le courant doit être interrompu pendant plus de 24 heures, faire l'une des choses suivantes :

- Retirer tous les aliments congelés et les entreposer dans un casier frigorifique.
- S'il n'y a pas de casier frigorifique, consommer ou mettre immédiatement en conserve les aliments périssables.

À NOTER : Un congélateur plein restera froid plus longtemps qu'un congélateur partiellement rempli. Un congélateur plein de viande demeure froid plus longtemps qu'un congélateur rempli d'aliments cuits. Si les aliments contiennent des cristaux de glace, ils peuvent être remis à congeler, cependant la qualité et la saveur risquent d'être affectées. Si les aliments semblent de piètre qualité ou douteux, les jeter.

Déménagement

En cas de déménagement et de déplacement du congélateur dans une nouvelle habitation, suivre ces étapes pour préparer le déménagement.

1. Enlever tous les aliments congelés.
2. Débrancher le congélateur.
3. Retirer toutes les pièces amovibles, bien les envelopper et les attacher ensemble avec du ruban adhésif pour qu'elles ne bougent ou ne s'entrechoquent pas durant le déménagement.
4. Bien nettoyer le congélateur.
5. Immobiliser le couvercle du congélateur avec un ruban adhésif et fixer le cordon électrique à la caisse avec un ruban adhésif.

Lorsque vous arrivez à la nouvelle demeure, consulter les sections "Installation du congélateur" et "Utilisation du congélateur" pour des renseignements sur l'installation et le réglage des commandes.

RÉSOLUTION DE PROBLÈMES

Essayer d'abord les solutions suggérées ici. Pour obtenir de l'aide ou des conseils qui permettront peut-être d'éviter une intervention de dépannage, consulter la page de garantie de ce manuel et scanner le code QR avec votre appareil intelligent, ou consulter le site internet www.maytag.com/product_help. Au Canada, consulter <http://www.maytag.ca>.

Vous pouvez adresser tous commentaires ou questions par courrier à l'adresse ci-dessous :

Aux États-Unis :

Maytag Brand Home Appliances
Customer eXperience Center
553 Benson Road
Benton Harbor, MI 49022-2692

Au Canada :

Maytag Brand Home Appliances
Customer eXperience Centre
200 - 6750 Century Ave.
Mississauga ON L5N 0B7

Dans votre correspondance, veuillez indiquer un numéro de téléphone où l'on peut vous joindre dans la journée.

Fonctionnement du congélateur

⚠ AVERTISSEMENT



Risque de choc électrique

Brancher sur une prise à 3 alvéoles reliée à la terre.

Ne pas enlever la broche de liaison à la terre.

Ne pas utiliser un adaptateur.

Ne pas utiliser un câble de rallonge.

Le non-respect de ces instructions peut causer un décès, un incendie ou un choc électrique.

⚠ AVERTISSEMENT



Risque d'explosion

Utiliser un produit de nettoyage ininflammable.

Le non-respect de cette instruction peut causer un décès, une explosion ou un incendie.

PROBLÈME	SOLUTION RECOMMANDÉE
Le congélateur ne fonctionne pas	Vérifier qu'aucun programme automatique de dégivrage n'est en cours. Vérifier que le congélateur est branché sur une prise de courant à 3 alvéoles reliée à la terre. Vérifier que la commande de température est allumée. Remplacer le fusible ou réenclencher le disjoncteur. REMARQUE : Si le problème persiste, appeler un électricien.
Les lampes ne fonctionnent pas	Vérifier que le congélateur est branché sur une prise de courant à 3 alvéoles reliée à la terre. Vérifier que l'ampoule est bien serrée dans la douille et qu'elle n'est pas grillée.
Le bac de dégivrage contient de l'eau	Il est normal que de l'eau s'égoutte dans le bac de dégivrage lorsque le congélateur est en cours de dégivrage. Lorsque le taux d'humidité est élevé, il est normal que l'eau dans le bac de dégivrage prenne plus de temps à s'évaporer.
Le moteur semble fonctionner excessivement	Vérifier que la porte ferme correctement. Dégivrer et nettoyer le congélateur afin de retirer l'excès de givre. L'ajout d'une grande quantité d'aliments réchauffe le congélateur, l'obligeant à fonctionner plus longtemps pour refroidir. Dans ce cas, prévoir un délai d'environ 6 à 8 heures pour que le congélateur atteigne la température adéquate. Retirer tous les articles en une seule fois, ranger les aliments de façon organisée et refermer la porte le plus vite possible. Vérifier que les serpentins du condensateur sont propres. Vérifier que le joint du couvercle est hermétique sur toute la surface de contact. Si ce n'est pas le cas, contacter une personne ou un technicien qualifié. Vérifier que l'espace autour du congélateur répond aux exigences en matière de circulation de l'air. Voir "Exigences d'emplacement". REMARQUE : Si aucun des problèmes évoqué n'est rencontré, votre nouveau congélateur fonctionnera plus longtemps que l'ancien grâce à son moteur à haute efficacité.

PROBLÈME	SOLUTION RECOMMANDÉE
<p>La température est trop élevée</p>	<p>Vérifier que les ouvertures d'aération sont dégagées. Voir "Pour assurer une circulation d'air correcte" pour savoir où se trouvent les ouvertures d'aération.</p> <p>Retirer tous les articles en une seule fois, ranger les aliments de façon organisée et refermer la porte le plus vite possible.</p> <p>L'ajout d'une grande quantité d'aliments réchauffe le congélateur, l'obligeant à fonctionner plus longtemps pour refroidir.</p> <p>Vérifier que le réglage de la commande de température est adapté à l'environnement de l'appareil.</p>
<p>La porte ne ferme pas complètement ou est difficile à ouvrir</p>	<p>Vérifier qu'aucun emballage d'aliments n'empêche la fermeture de la porte.</p> <p>Sur certains modèles, vérifier que les tablettes et le panier sont positionnés correctement.</p> <p>Vérifier que les joints sont propres. Voir "Entretien du congélateur".</p> <p>Vérifier que le congélateur est stable. Voir "Mise à niveau du congélateur et fermeture de la porte".</p>
<p>Le congélateur émet un fort bourdonnement/cliquetis</p>	<p>Si le congélateur a récemment été branché ou allumé à la suite d'un dégivrage ou d'un déplacement, ou si une longue panne de courant s'est produite, éteindre l'alarme de température pour les 24 prochaines heures.</p> <p>Ajouter une grande quantité d'aliments réchauffe le congélateur. Plusieurs heures peuvent être nécessaires pour que le congélateur revienne à la température normale. Éteindre l'alarme de température pour les 24 prochaines heures.</p>

GARANTIE LIMITÉE DES GROS APPAREILS MÉNAGERS MAYTAG®

ATTACHEZ ICI VOTRE REÇU DE VENTE. UNE PREUVE D'ACHAT EST OBLIGATOIRE POUR OBTENIR L'APPLICATION DE LA GARANTIE.

Lorsque vous appelez le centre d'eXpérience de la clientèle, veuillez garder à disposition les renseignements suivants :

- Nom, adresse et numéro de téléphone
- Numéros de modèle et de série
- Une description claire et détaillée du problème rencontré
- Une preuve d'achat incluant le nom et l'adresse du marchand ou du détaillant

SI VOUS AVEZ BESOIN DE SERVICE :

1. Avant de nous contacter pour obtenir un dépannage, veuillez déterminer si des réparations sont nécessaires pour votre produit. Certains problèmes peuvent être résolus sans intervention de dépannage. Prenez quelques minutes pour parcourir la section Dépannage ou Résolution de problèmes du guide d'utilisation et d'entretien, scannez le code QR ci-contre avec votre téléphone intelligent pour accéder à des ressources supplémentaires, ou rendez-vous sur le site <http://www.maytag.ca>.
2. Tout service sous garantie doit être effectué exclusivement par nos fournisseurs de dépannage autorisés Maytag. Aux É.-U. et au Canada, dirigez toutes vos demandes de service sous garantie au

Centre d'eXpérience de la clientèle Maytag

Aux É.-U., composer le 1-800-688-9900. Au Canada, composer le 1-800-807-6777.

Si vous résidez à l'extérieur du Canada et des 50 États des États-Unis, contactez votre marchand Maytag autorisé pour déterminer si une autre garantie s'applique.



<http://www.maytag.ca>

GARANTIE LIMITÉE DE UN AN

CE QUI EST COUVERT

Pendant un an à compter de la date d'achat, lorsque ce gros appareil ménager est installé, utilisé et entretenu conformément aux instructions jointes à ou fournies avec le produit, la marque Maytag de Whirlpool Corporation ou Whirlpool Canada, LP (ci-après désignées "Maytag") décidera à sa seule discrétion de remplacer le produit ou de couvrir le coût des pièces spécifiées par l'usine et de la main-d'œuvre nécessaires pour corriger les vices de matériaux ou de fabrication qui existaient déjà lorsque ce gros appareil ménager a été acheté. S'il est remplacé, l'appareil sera couvert pour la période restant à courir de la garantie limitée d'un an du produit d'origine.

LE SEUL ET EXCLUSIF RECOURS DU CLIENT DANS LE CADRE DE LA PRÉSENTE GARANTIE LIMITÉE CONSISTE EN LA RÉPARATION PRÉVUE PAR LA PRÉSENTE. Le service doit être fourni par une compagnie de service désignée par Maytag. Cette garantie limitée est valide uniquement aux États-Unis ou au Canada et s'applique exclusivement lorsque le gros appareil ménager est utilisé dans le pays où il a été acheté. La présente garantie limitée est valide à compter de la date d'achat initial par le consommateur. Une preuve de la date d'achat initial est exigée pour obtenir un dépannage dans le cadre de la présente garantie limitée.

CE QUI N'EST PAS COUVERT

1. Usage commercial, non résidentiel ou par plusieurs familles, ou non-respect des instructions de l'utilisateur, de l'opérateur ou des instructions d'installation.
2. Visite d'instruction à domicile pour montrer à l'utilisateur comment utiliser l'appareil.
3. Visites de service pour rectifier une installation ou un entretien fautifs du produit, une installation non conforme aux codes d'électricité ou de plomberie, ou la rectification de l'installation électrique ou de la plomberie du domicile (ex : câblage électrique, fusibles ou tuyaux d'arrivée d'eau du domicile).
4. Pièces consommables (ex : ampoules, batteries, filtres à air ou à eau, solutions de conservation, etc.).
5. Conversion de votre produit du gaz naturel ou du gaz de pétrole liquéfié.
6. Dommages causés par : accident, mésusage, abus, incendie, inondations, catastrophe naturelle ou l'utilisation de produits non approuvés par Maytag.
7. Réparations aux pièces ou systèmes dans le but de rectifier un dommage ou des défauts résultant d'une réparation, altération ou modification non autorisée faite à l'appareil.
8. Défauts d'apparence, notamment les éraflures, traces de choc, fissures ou tout autre dommage subi par le fini de l'appareil ménager, à moins que ces dommages ne résultent de vices de matériaux ou de fabrication et ne soient signalés à Maytag dans les 30 jours suivant la date d'achat.
9. Décoloration, rouille ou oxydation des surfaces résultant d'environnements caustiques ou corrosifs incluant des concentrations élevées de sel, un haut degré d'humidité ou une exposition à des produits chimiques (exemples non exhaustifs).
10. Perte d'aliments ou de médicaments due à la défaillance du produit.
11. Enlèvement ou livraison. Ce produit est conçu pour être réparé à l'intérieur du domicile.
12. Frais de déplacement et de transport pour le dépannage/la réparation dans une région éloignée où une compagnie de service Maytag autorisée n'est pas disponible.
13. Retrait ou réinstallation d'appareils inaccessibles ou de dispositifs préinstallés (ex : garnitures, panneaux décoratifs, plancher, meubles, îlots de cuisine, plans de travail, panneaux de gypse, etc.) qui entravent le dépannage, le retrait ou le remplacement du produit.
14. Service et pièces pour des appareils dont les numéros de série et de modèle originaux ont été enlevés, modifiés ou ne peuvent pas être facilement identifiés.

Le coût d'une réparation ou d'un remplacement dans le cadre de ces circonstances exclues est à la charge du client.

CLAUSE D'EXONÉRATION DE RESPONSABILITÉ AU TITRE DES GARANTIES IMPLICITES

LES GARANTIES IMPLICITES, Y COMPRIS LES GARANTIES APPLICABLES DE QUALITÉ MARCHANDE OU D'APTITUDE À UN USAGE PARTICULIER, SONT LIMITÉES À UN AN OU À LA PLUS COURTE PÉRIODE AUTORISÉE PAR LA LOI. Certains États et provinces ne permettent pas de limitation sur la durée des garanties implicites de qualité marchande ou d'aptitude à un usage particulier, de sorte que la limitation ci-dessus peut ne pas être applicable dans votre cas. Cette garantie vous confère des droits juridiques spécifiques et vous pouvez également jouir d'autres droits qui peuvent varier d'une juridiction à l'autre.

EXONÉRATION DE RESPONSABILITÉ DANS LES DOMAINES NON COUVERTS PAR LA GARANTIE

Maytag décline toute responsabilité au titre de la qualité, de la durabilité ou en cas de dépannage ou de réparation nécessaire sur ce gros appareil ménager autre que les responsabilités énoncées dans la présente garantie. Si vous souhaitez une garantie plus étendue ou plus complète que la garantie limitée fournie avec ce gros appareil ménager, adressez-vous à Maytag ou à votre détaillant pour obtenir les modalités d'achat d'une garantie étendue.

LIMITATION DES RECOURS; EXCLUSION DES DOMMAGES FORTUITS OU INDIRECTS

LE SEUL ET EXCLUSIF RECOURS DU CLIENT DANS LE CADRE DE LA PRÉSENTE GARANTIE LIMITÉE CONSISTE EN LA RÉPARATION PRÉVUE PAR LA PRÉSENTE. MAYTAG N'ASSUME AUCUNE RESPONSABILITÉ POUR LES DOMMAGES FORTUITS OU INDIRECTS. Certains États et certaines provinces ne permettent pas l'exclusion ou la limitation des dommages fortuits ou indirects de sorte que ces limitations et exclusions peuvent ne pas être applicables dans votre cas. Cette garantie vous confère des droits juridiques spécifiques et vous pouvez également jouir d'autres droits qui peuvent varier d'une juridiction à l'autre.

