

Electronic Oil Igniters

120V Applications

Beckett
PARTS & ACCESSORIES

Product Sheet

Features & Benefits

- UL recognized in the US and Canada.
- 20 kV peak rating guarantees quick and efficient ignition.
- Small size and lightweight
- A vacuum encapsulation process using a synthetic resin provides resistance to moisture and excellent heat dissipation and electrical insulation.
- Case material is a high-temperature thermoplastic that provides high impact strength and scratch resistance, and is impenetrable to most chemicals.
- Adapts to multiple baseplates – making it the most versatile unit on the market. It will also fit on many other vendors' transformer baseplates.
- Case design has "breakout" sections at the rear and side for lead wire exit and a hood to neatly cover and protect these wires where required.



Photo for reference only. Design of igniter base plates will depend on applicaiton.

Technical Specifications

Input: 120 VAC, 50-60 Hz, 35 VA

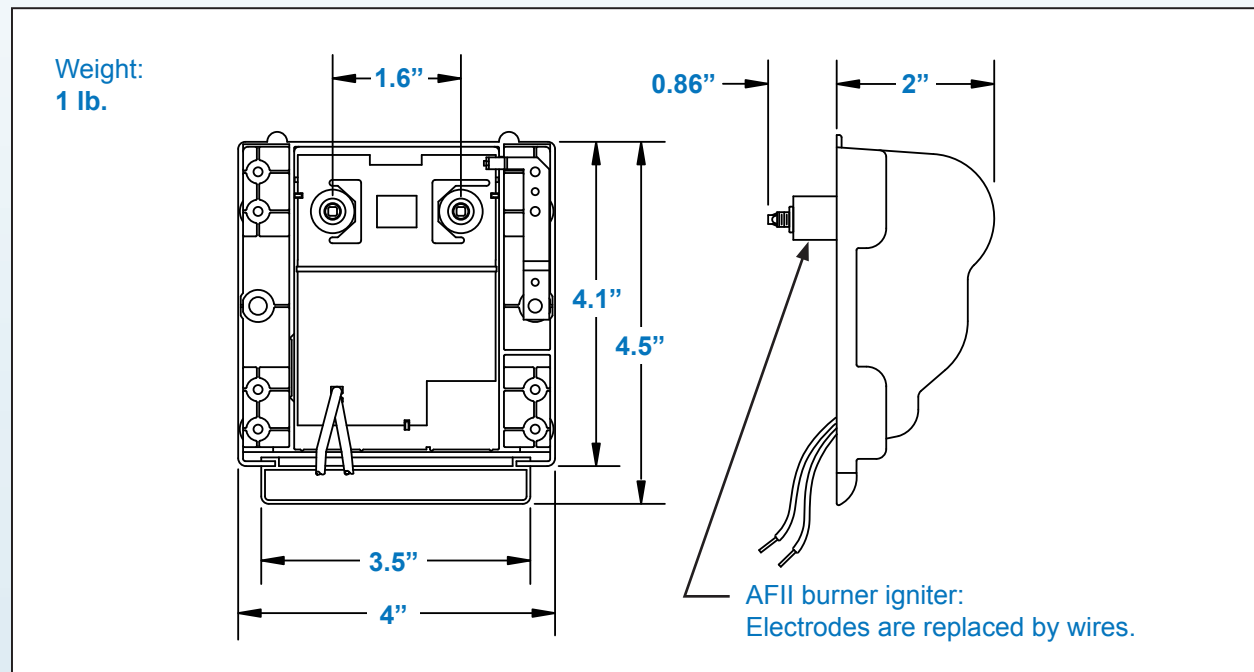
Output Voltage: 6 kV RMS, 20 kV PEAK

Output Current: 35 mA RMS

Secondary Mid-point Ground

Ambient Operating Temperature: -40°F to +150°F

Storage Temperature: -40°F to +150°F



Electronic Oil Igniters

120V Applications

Beckett
PARTS & ACCESSORIES

Product Sheet

Igniter Kits

Kit Part No.	Application
51838U	Igniter Only (For all A & S Models)
51771U	Beckett A, AF, AFG, NX
51805U	Beckett AFII
51824U	Beckett S, SF, SMG, SR, SM, CF500, CF800
51826U	Carlin 100
51840U	Carlin 200
51825U	Wayne M
51827U	Wayne E
51836U	Wayne HS (No base plate)

Photo for reference only. Design of igniter base plates will depend on application.



Igniter Base Plate Kits

Includes one base plate, hardware and instructions

Kit Part No.	Application
51834U	Aero
51830U	Beckett A Housing
51831U	Beckett S Housing
51832U	Carlin 100
51841U	Carlin 200
51833U	Wayne E
51829U	Wayne M

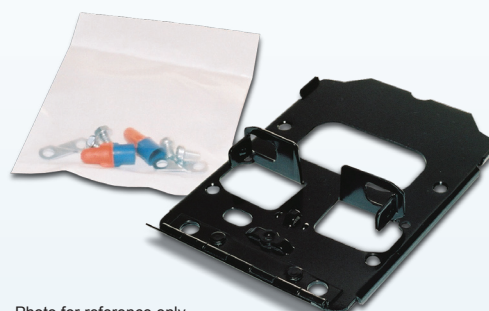


Photo for reference only. Design of igniter base plates will depend on application.

51835 - Electronic Oil Igniter Kit



- **Lightweight:** Entire kit weighs less than one standard transformer
- **Diverse:** Two igniters, assorted mounting plates and terminals allow for easy adaptation to:

Aero
Beckett (A, AF, AFG, NX,
S, SF, SMG, SR, SM,
CF500, CF800)

Carlin (100, 101CRD, 102CRD,
200, 201, 500CRD)
Wayne (M, E, & HS)
Weil McLain

R.W. **BECKETT** CORPORATION

USA: R.W. Beckett Corporation • ph: (800)645-2876 • fax: (800)800-9802 | Canada: R.W. Beckett Canada Ltd. • ph: (800)665-6972 • fax: (519)763-5656

www.beckettcorp.com