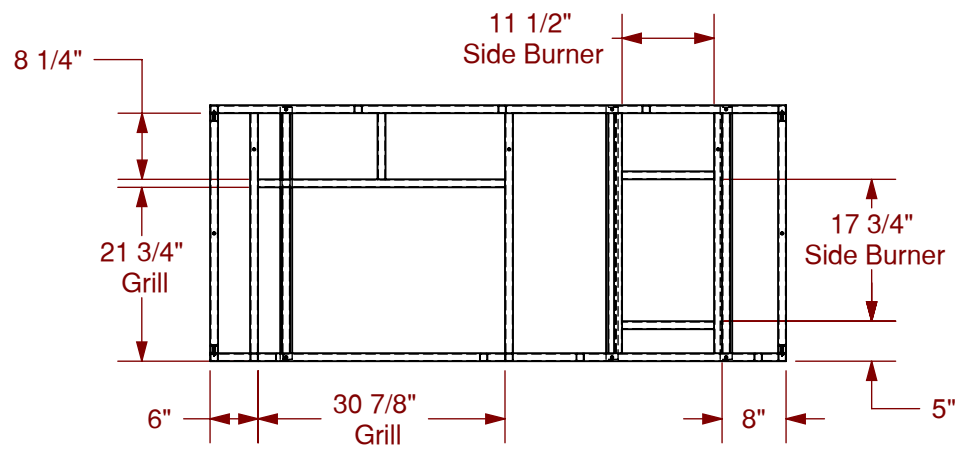
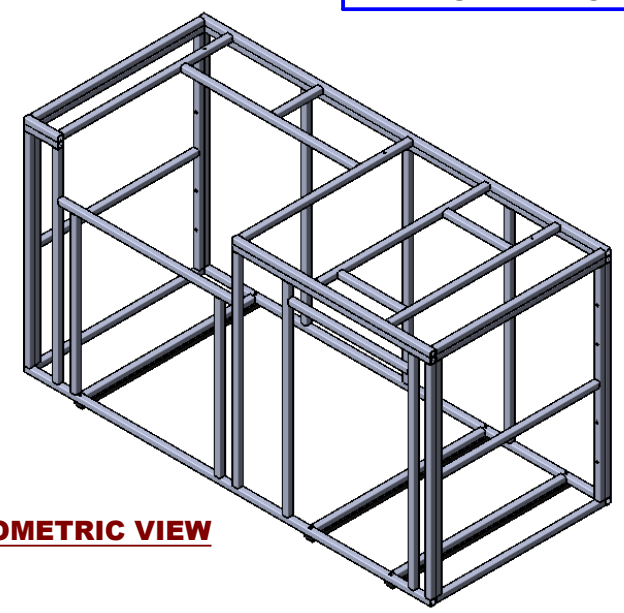


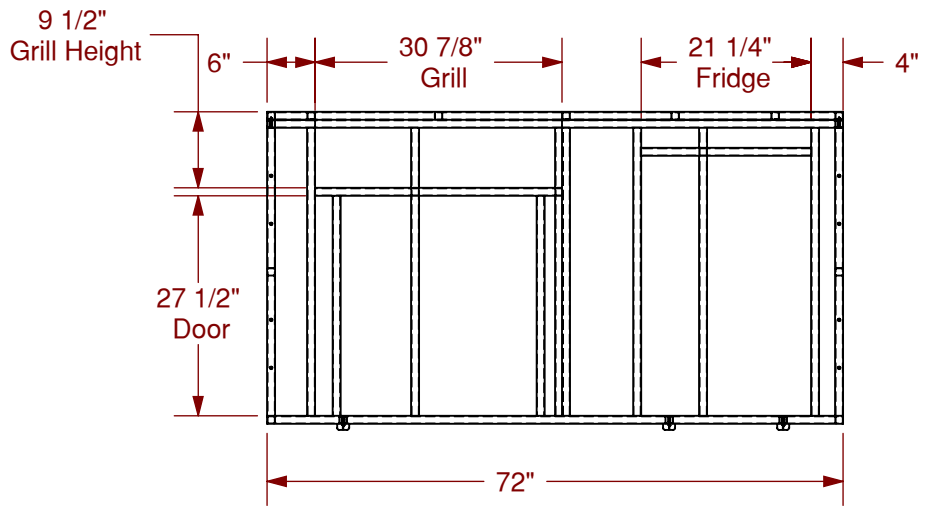
LINE	BBQ LINE
MODEL	KDF6002
SHEET 1 OF 6	



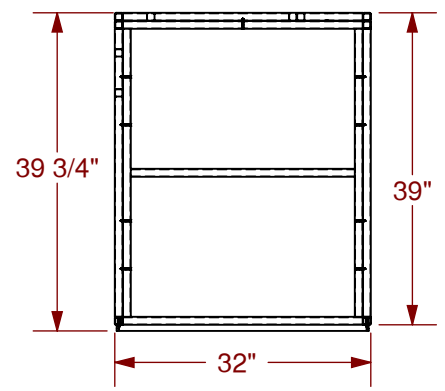
**TOP VIEW**



**ISOMETRIC VIEW**



**FRONT VIEW**



**SIDE VIEW**

**GENERAL NOTE:**

- ALL FRAMING WITH 1X1 SQUARE MATL.

**UNLESS OTHERWISE SPECIFIED:**

- 1)-Add 1 1/2" to all base sides for rock finishes
- 2)-6" Max. height on all stubs-ups
- 3)-Keep gas & water lines to the far left or right to prevent fitting issues
- 4)-Subtract 3 1/2" from iner perimeter
- 5)-Product specifications are subject to change without notice
- 6)-Equipment Placement in this drawing is standardized and cannot be customize



PROPRIETARY AND CONFIDENTIAL  
 THE INFORMATION CONTAINED IN THIS DRAWING IS THE SOLE PROPERTY OF CAL FLAME ANY REPRODUCTION IN PART OR AS A WHOLE WITHOUT THE WRITTEN PERMISSION OF CAL FLAME IS PROHIBITED.

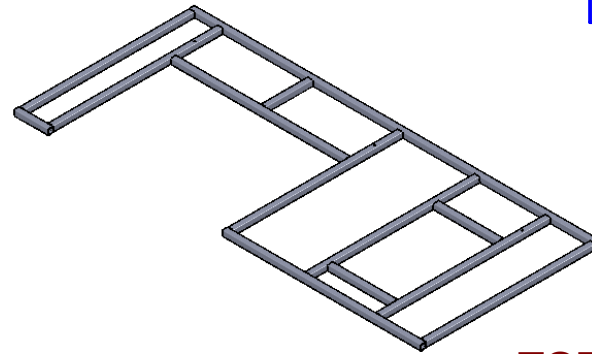
TITLE: <b>2013 BBQ LINE KD FRAME KDF6002</b>		
SIZE <b>A</b>	DWG NO.	REV
SCALE <b>1:16</b>	DWG BY <b>S. Linares</b>	DATE <b>07/23/13</b>

# KD FRAME CHECKLIST 6002

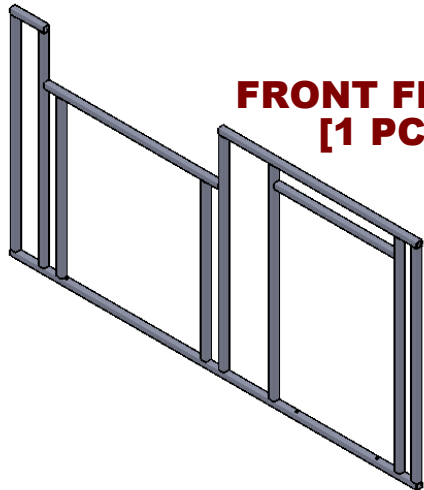
LINE	BBQ LINE
MODEL	KDF6002
SHEET 2 OF 6	



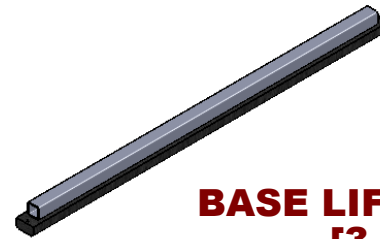
**BACK FRAME  
[1 PC.]**



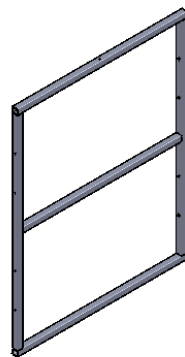
**TOP FRAME  
[1 PC.]**



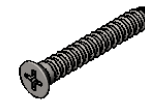
**FRONT FRAME  
[1 PC.]**



**BASE LIFT SUPPORT  
[3 PCS.]**



**SIDE FRAME  
[2 PCS.]**



**#1 SELF TAPPING  
SCREW  
[24 PCS.]**

**UNLESS OTHERWISE SPECIFIED:**

- 1)-Add 1 1/2" to all base sides for rock finishes
- 2)-6" Max. height on all stubs-ups
- 3)-Keep gas & water lines to the far left or right to prevent fitting issues
- 4)-Subtract 3 1/2" from inner perimeter
- 5)-Product specifications are subject to change without notice
- 6)-Equipment Placement in this drawing is standardized and cannot be customize



PROPRIETARY AND CONFIDENTIAL  
THE INFORMATION CONTAINED IN THIS  
DRAWING IS THE SOLE PROPERTY OF  
CAL FLAME ANY REPRODUCTION  
IN PART OR AS A WHOLE WITHOUT  
THE WRITTEN PERMISSION  
OF CAL FLAME IS PROHIBITED.

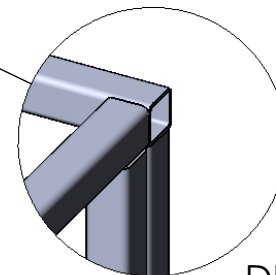
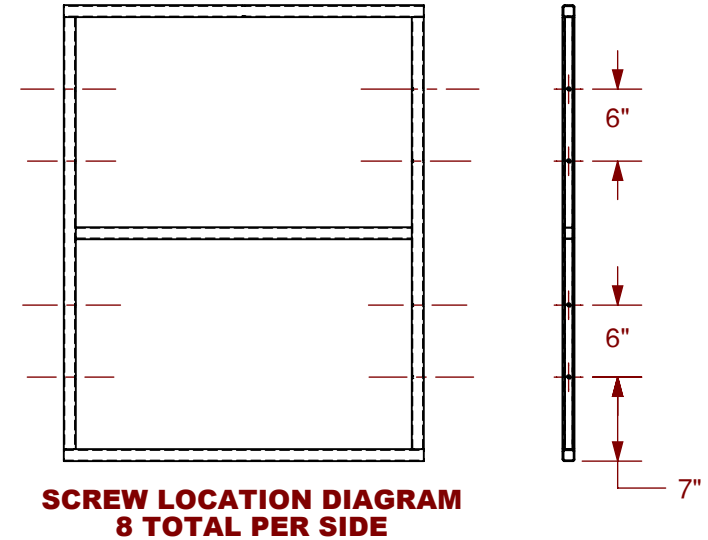
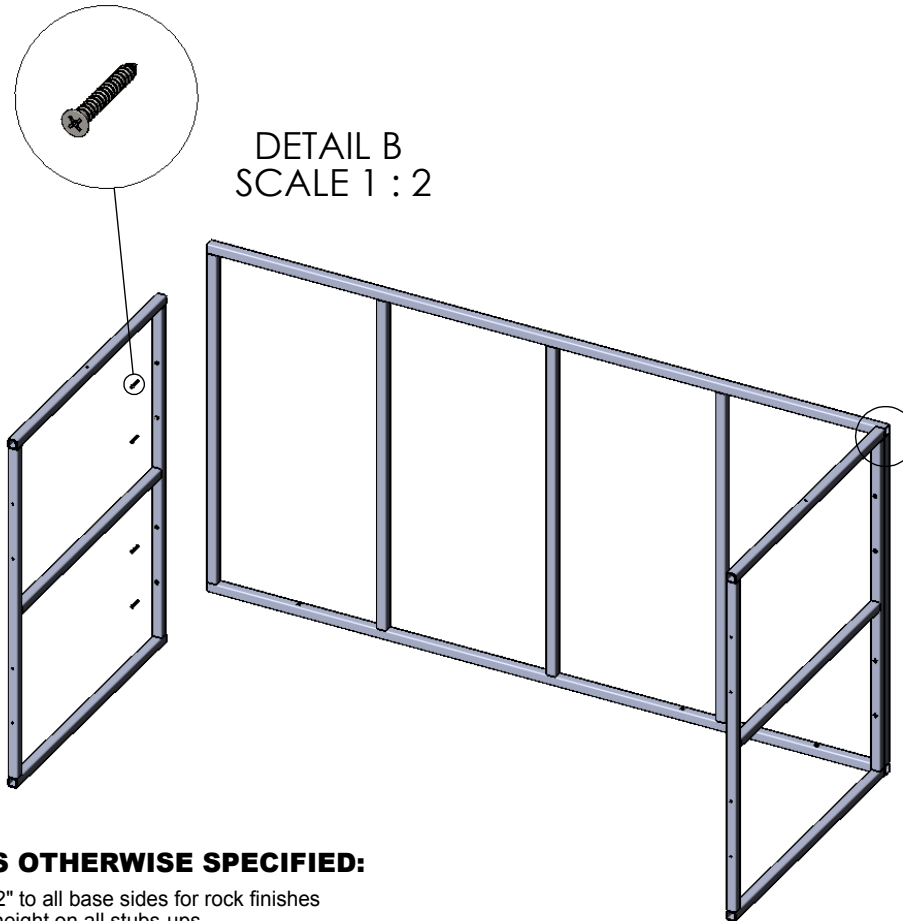
**TITLE: 2013 BBQ LINE  
KDF 6002  
CHECK LIST**

SIZE <b>A</b>	DWG NO.	REV
SCALE <b>1:16</b>	DWG BY <b>S. Linares</b>	DATE <b>07/23/13</b>

# STEP#1

LINE	BBQ LINE
MODEL	KD FRAME ASSEM.
SHEET 3 OF 6	

- **FIRST, ALIGN BACK AND SIDE FRAME TOGETHER AS SHOWN IN DIAGRAM (NOTE: THE USE OF A SET OF CLAMPS WILL FACILITATE THE JOB, AND GET A PERFECT ALIGNMENT)**
- **NEXT, SCREW IN BOTH FRAMES AS SHOWN IN DETAIL B; USING PROVIDED #10 SCREWS.**
- **FINALLY, REPEAT PROCESS FOR BOTH SIDES.**



**DETAIL A  
SCALE 1 : 4**

**UNLESS OTHERWISE SPECIFIED:**

- 1)-Add 1 1/2" to all base sides for rock finishes
- 2)-6" Max. height on all stubs-ups
- 3)-Keep gas & water lines to the far left or right to prevent fitting issues
- 4)-Subtract 3 1/2" from iner perimeter
- 5)-Product specifications are subject to change without notice
- 6)-Equipment Placement in this drawing is standardized and cannot be customize



**PROPRIETARY AND CONFIDENTIAL**  
THE INFORMATION CONTAINED IN THIS DRAWING IS THE SOLE PROPERTY OF CAL FLAME ANY REPRODUCTION IN PART OR AS A WHOLE WITHOUT THE WRITTEN PERMISSION OF CAL FLAME IS PROHIBITED.

**TITLE:**  
**2013 KD FRAME  
ASSEM INSTRUCTIONS  
KDF6002**

SIZE <b>A</b>	DWG NO.	REV
SCALE <b>1:16</b>	DWG BY <b>S. Linares</b>	DATE <b>07/12/13</b>

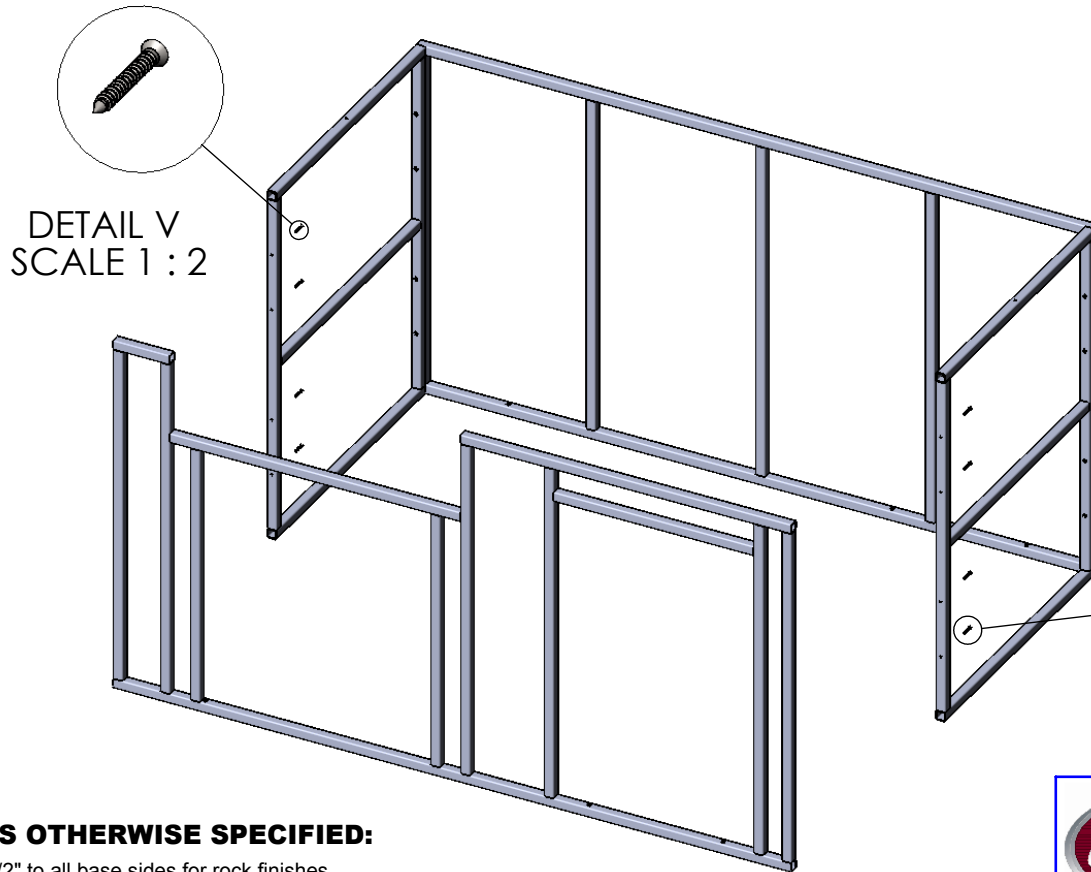
# STEP#2

LINE	BBQ LINE
MODEL	KD FRAME ASSEM.
SHEET 4 OF 6	

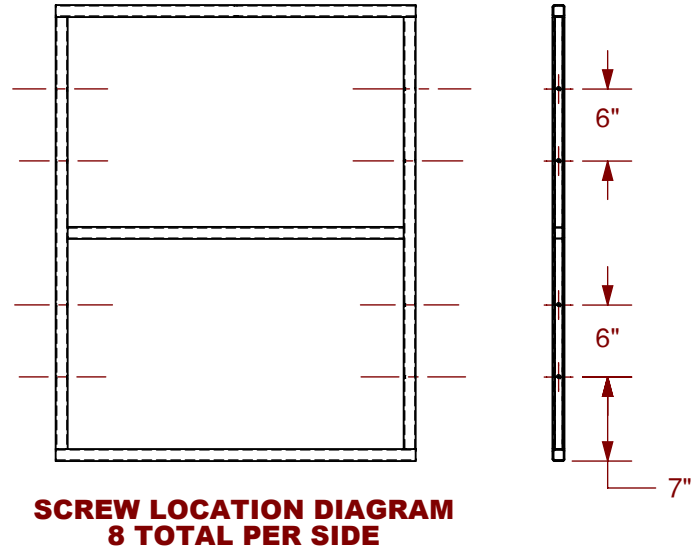
• FIRST, ALIGN PREVIOUS ASSEMBLED FRAME FROM STEP #1 WITH FRONT FRAME AS SHOW IN DIAGRAM

(NOTE: THE USE OF A SET OF CLAMPS WILL FACILITATE THE JOB, AND GET A PERFECT ALIGNMENT)

• FINALLY, SCREW IN BOTH FRAMES AS SHOWN IN BELOW DIAGRAM; USING PROVIDED #10 SCREWS.



FRONT FRAME SIDE



**UNLESS OTHERWISE SPECIFIED:**

- 1)-Add 1 1/2" to all base sides for rock finishes
- 2)-6" Max. height on all stubs-ups
- 3)-Keep gas & water lines to the far left or right to prevent fitting issues
- 4)-Subtract 3 1/2" from inner perimeter
- 5)-Product specifications are subject to change without notice
- 6)-Equipment Placement in this drawing is standardized and cannot be customize



PROPRIETARY AND CONFIDENTIAL  
 THE INFORMATION CONTAINED IN THIS DRAWING IS THE SOLE PROPERTY OF CAL FLAME ANY REPRODUCTION IN PART OR AS A WHOLE WITHOUT THE WRITTEN PERMISSION OF CAL FLAME IS PROHIBITED.

TITLE: **2013 KD FRAME ASSEM INSTRUCTIONS KDF6002**

SIZE <b>A</b>	DWG NO.	REV
SCALE <b>1:16</b>	DWG BY <b>S. Linares</b>	DATE <b>07/12/13</b>

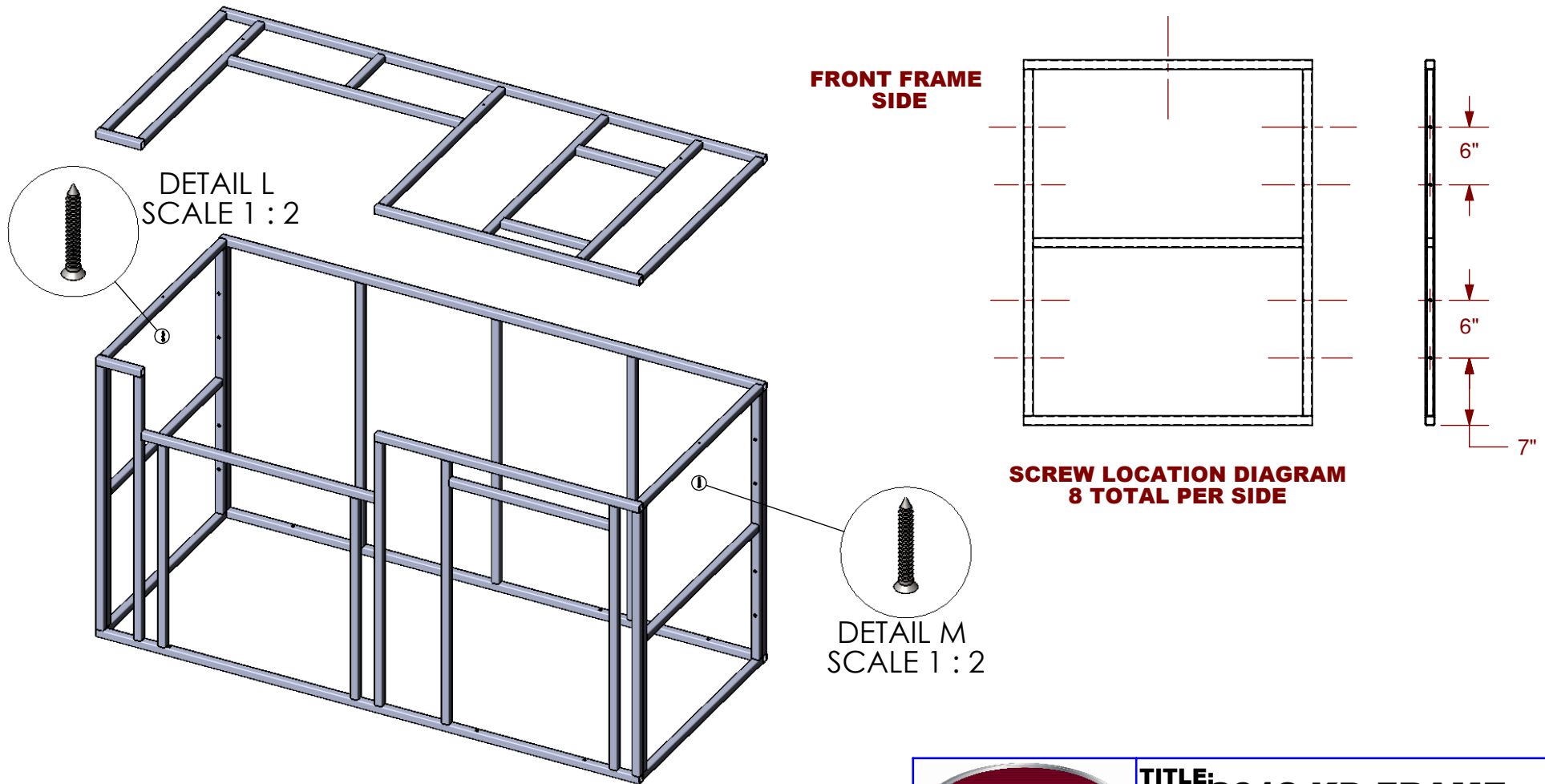
# STEP#3

LINE	BBQ LINE
MODEL	KD FRAME ASSEM.
SHEET 5 OF 6	

- FIRST, ALIGN PREVIOUS ASSEMBLED FRAME FROM STEP #2 WITH TOP FRAME AS SHOW IN DIAGRAM

(NOTE: THE USE OF A SET OF CLAMPS WILL FACILITATE THE JOB, AND GET A PERFECT ALIGNMENT)

- FINALLY, SCREW IN BOTH FRAMES AS SHOWN IN BELOW DIAGRAM; USING PROVIDED #10 SCREWS.



### UNLESS OTHERWISE SPECIFIED:

- Add 1 1/2" to all base sides for rock finishes
- 6" Max. height on all stubs-ups
- Keep gas & water lines to the far left or right to prevent fitting issues
- Subtract 3 1/2" from inner perimeter
- Product specifications are subject to change without notice
- Equipment Placement in this drawing is standardized and cannot be customize



PROPRIETARY AND CONFIDENTIAL  
THE INFORMATION CONTAINED IN THIS DRAWING IS THE SOLE PROPERTY OF CAL FLAME ANY REPRODUCTION IN PART OR AS A WHOLE WITHOUT THE WRITTEN PERMISSION OF CAL FLAME IS PROHIBITED.

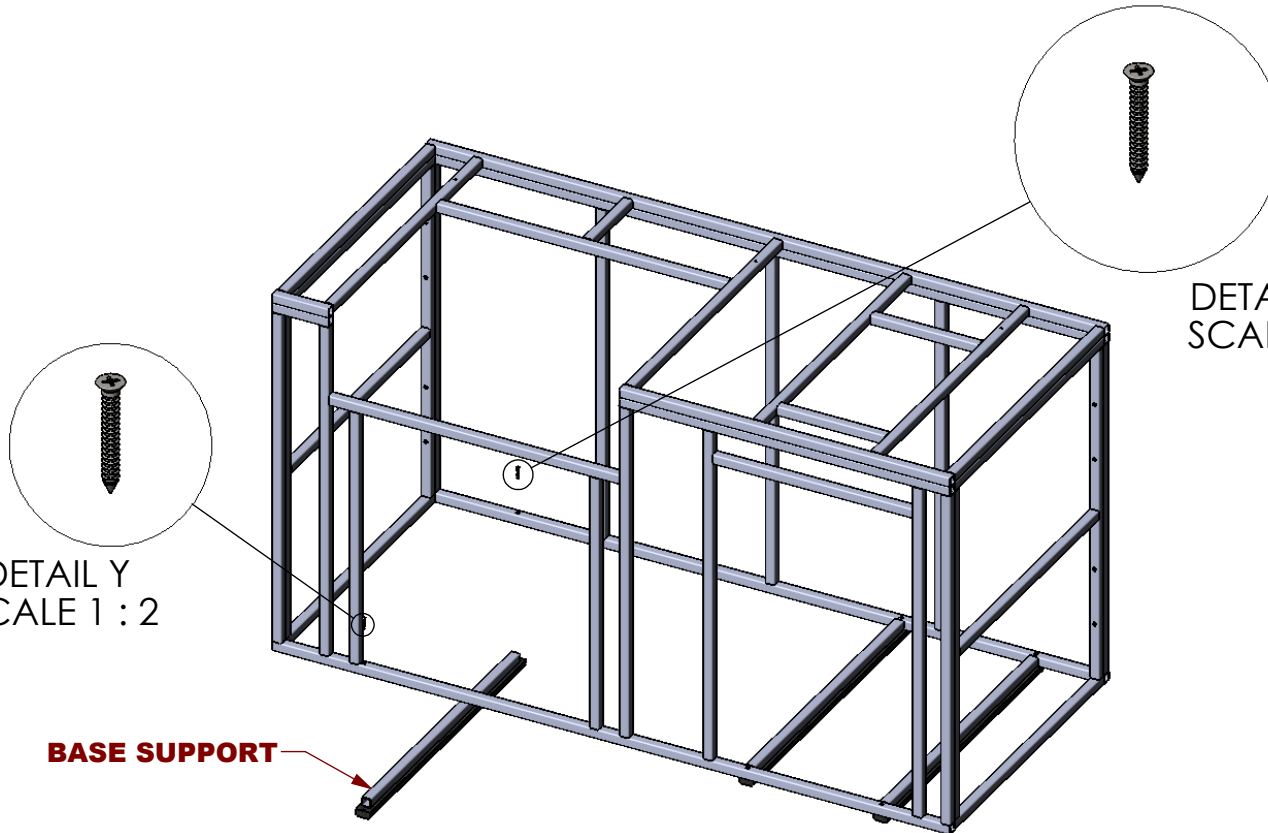
**TITLE:**  
**2013 KD FRAME ASSEM INSTRUCTIONS**  
**KDF6002**

SIZE <b>A</b>	DWG NO.	REV
SCALE <b>1:16</b>	DWG BY <b>S. Linares</b>	DATE <b>07/12/13</b>

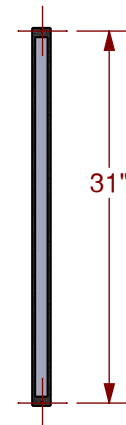
# STEP#4

- **FIRST, LIFT FRAME (MAY NEED THE HELP OF OTHER PERSON) AND SCREW IN PROVIDED BASE SUPPORTS USING #10 SCREWS AS SHOWN IN BELOW DIAGRAM.**
- **FINALLY, REPEAT PREVIOUS STEP TO COMPLETE ALL 3 SUPPORTS.**  
**NOTE: ALIGN PRE-DRILL HOLE TOGETHER FOR EASY INSTALLATION**

LINE	BBQ LINE
MODEL	KD FRAME ASSEM.
SHEET 6 OF 6	



**SCREW LOCATION DIAGRAM  
2 TOTAL PER SUPPORT**



**UNLESS OTHERWISE SPECIFIED:**

- 1)-Add 1 1/2" to all base sides for rock finishes
- 2)-6" Max. height on all stubs-ups
- 3)-Keep gas & water lines to the far left or right to prevent fitting issues
- 4)-Subtract 3 1/2" from inner perimeter
- 5)-Product specifications are subject to change without notice
- 6)-Equipment Placement in this drawing is standardized and cannot be customize



PROPRIETARY AND CONFIDENTIAL  
 THE INFORMATION CONTAINED IN THIS  
 DRAWING IS THE SOLE PROPERTY OF  
 CAL FLAME ANY REPRODUCTION  
 IN PART OR AS A WHOLE WITHOUT  
 THE WRITTEN PERMISSION  
 OF CAL FLAME IS PROHIBITED.

**TITLE: 2013 KD FRAME  
 ASSEM INSTRUCTIONS  
 KDF6002**

SIZE <b>A</b>	DWG NO.	REV
SCALE <b>1:16</b>	DWG BY <b>S. Linares</b>	DATE <b>07/12/13</b>