

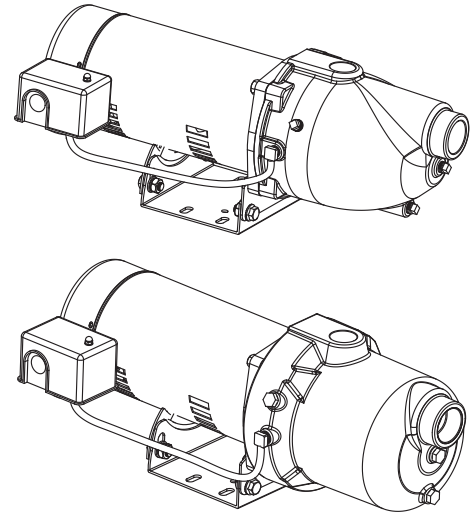


ITEM # 1011 677 533, 1011 677 534,
1011 677 535, 1011 677 537
MODEL# HDSWJ5, HDSWJ7
HDSWJ5P, HDSWJ7P

WARRANTY INFORMATION

SHALLOW WELL JET PUMP
CAST IRON OR THERMOPLASTIC CONSTRUCTION

RETAIN ORIGINAL PURCHASE RECEIPT
FOR WARRANTY ELIGIBILITY



TWO (2) YEAR LIMITED WARRANTY - SKU #1011 677 533 & 1011 677 534
ONE (1) YEAR LIMITED WARRANTY - SKU #1011 677 535 & 1011 677 537

The manufacturer warrants the products to be free from defects in materials and workmanship for a period of two (2) years for SKU #1011 677 533 & #1011 677 534 (cast iron construction) and one (1) year for SKU #1011 677 535 & #1011 677 537 (thermoplastic construction) from date of purchase. This warranty applies only to the original purchaser and only to products used in normal use and service. If within two years for SKU #1011 677 533 & #1011 677 534 and one year for SKU #1011 677 535 & #1011 677 537 this product is found upon examination by the manufacturer to be defective in materials or workmanship, the manufacturer's only obligation, and your exclusive remedy, is the repair or replacement of the product at the manufacturer's direction, provided that the product has not been damaged through misuse, abuse, accident, modifications, alterations, neglect, or mishandling. Your original receipt of purchase is required to determine warranty eligibility.

The purchaser must pay all labor and shipping charges necessary to replace the product covered by this warranty.

This Limited Warranty does not cover products which have been damaged as a result of accident, misuse, abuse, negligence, alteration, improper installation or maintenance, or failure to operate in accordance with the instructions supplied with the products, or operational failures caused by corrosion, rust, or other foreign materials in the system.

Requests for service under this warranty shall be made by returning the defective product to the manufacturer after the discovery of any alleged defect. The manufacturer will subsequently take corrective action as promptly as reasonably possible.

The manufacturer does not warrant and especially disclaims any warranty, whether express or implied, of fitness for a particular purpose, other than the warranty contained herein. This is the exclusive remedy and any liability for any and all indirect or consequential damages or expenses whatsoever is excluded.

Some states do not allow the exclusion or limitation of incidental or consequential damages or limitations on how long an implied warranty lasts, so the above limitations or exclusions may not apply to you. This warranty gives you specific legal rights and you may also have other rights which vary from state to state.

Contact the Customer Service Team at 1-844-883-1872 or visit www.HomeDepot.com.

Questions, problems, missing parts?
Before returning to the store, call Everbilt Customer Service
8 a.m. - 6 p.m., EST, Monday - Friday
1-844-883-1872
HOMEDEPOT.COM