



Showerhead 432SH Specification Submittal

Model Numbers

- 432SH Showerhead

Options / Modifications

Append appropriate -suffix to model number.

- CG** -1.5 1.5gpm (5.7 L/min) Flow rate restrictor
- 2.0 2.0gpm (7.6 L/min) Flow rate restrictor

Finish Options / Modifications

Append appropriate -suffix to model number.

- STN Satin nickel finish
- Polished chrome finish (standard finish)

Feature Highlights

- Single mode showerhead
- Polished chrome finish (standard finish)
- 2.5 gpm (9.5 L/min) standard flow rate

Standards / Certifications

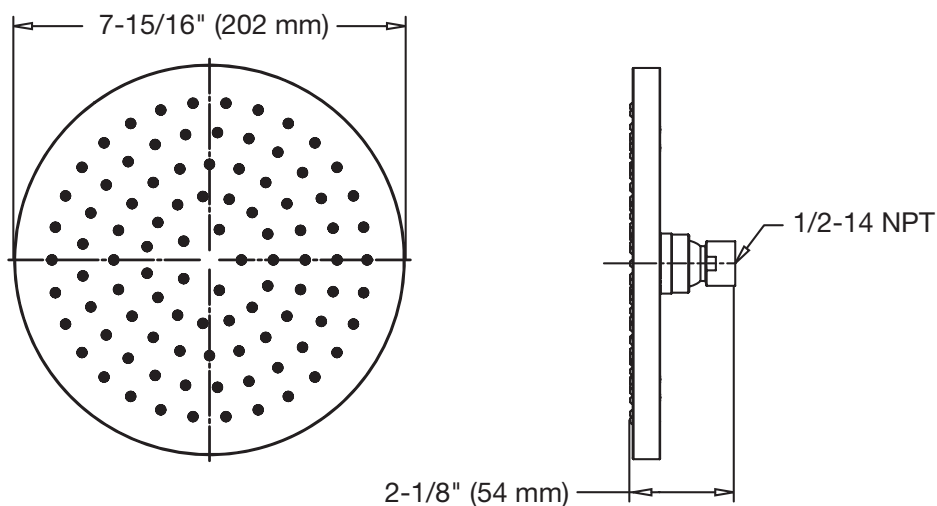
- ASME A112.18.1/CSA B125.1
- WaterSense 2.0 gpm (7.6 L/min)



Warranty

- Limited Lifetime - to the original end purchaser in consumer installations.
- 5 years - for commercial installations

Dimensions Showerhead, 432SH



Note: Dimensions subject to change without notice.

Symmons Industries, Inc. ■ 31 Brooks Drive ■ Braintree, MA 02184
 Phone: (800) 796-6667 ■ Fax: (800) 961-9621
 Website: symmons.com ■ Email: gethelp@symmons.com

Copyright © 2018 Symmons Industries, Inc. ■ ZV-1741 REV B ■ 031918

