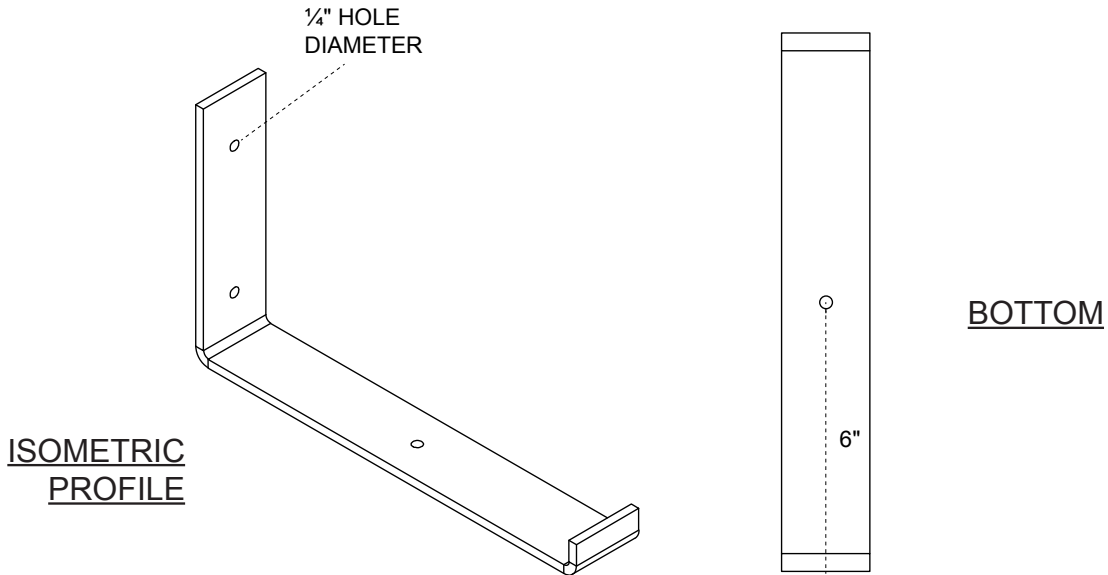
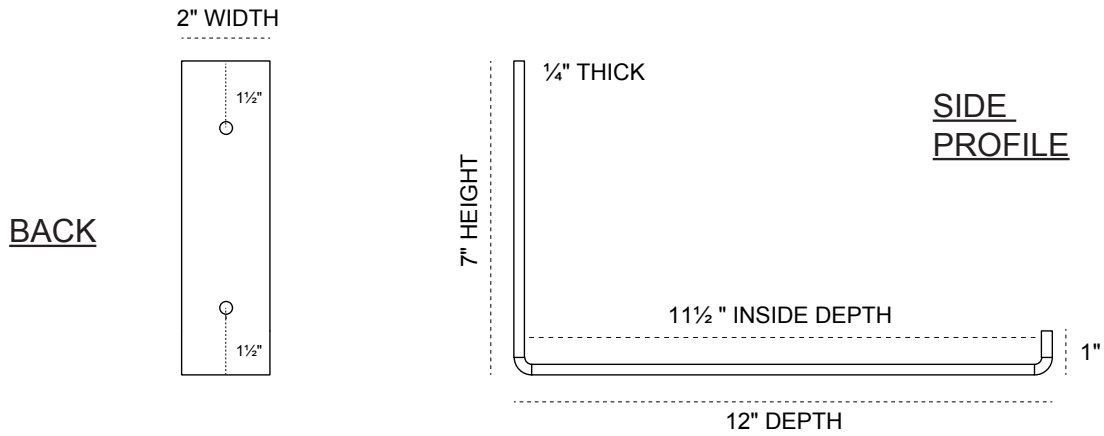


# 2-INCH W X 12-INCH D X 7-INCH H HANGING SHELF BRACKET



**HEAVY-DUTY 1/4" THICK**

**AVAILABLE IN:**  
STAINLESS STEEL  
ZINC PLATED STEEL  
POWDER COATED BLACK

**BKTM02X12X07HSSS**  
**BKTM02X12X07HSCRS**  
**BKTM02X12X07HSPBL**

P:866.607.0453 | F: 866.591.3143  
2300 W. Main St. | Clarksville, TX 75426  
sales@ekenamillwork.com | www.ekenamillwork.com



**EKENA**  
MILLWORK