

ASSEMBLY INSTRUCTIONS

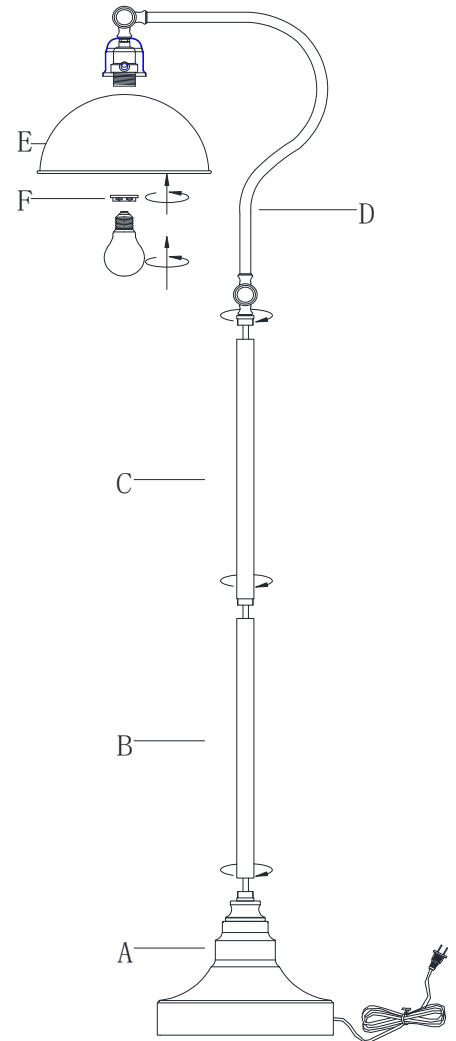
ITEM NO: BO-3025FL

Carefully place all parts on smooth surface to assembly.

1. SCREW POLE (B) TO BASE (A) AND POLE (C) TO POLE (B), TIGHTEN SOCKET PART (D) ONTO POLE (C), PULL ADDITIONAL WIRE FROM THE SIDE OF THE BASE.
2. TIGHTEN THE LAMP HOLDER RING (F) TO SECURE THE METAL SHADE(E) TO THE LAMP SOCKET PART(D).
3. INSTALL RECOMMENDED BULB (NOT INCLUDED IN THIS PACKING).

INSERT PLUG INTO AN OUTLET AND ENJOY YOUR LAMP!!

**Use Max 60W type A bulbs
(bulbs not included)**



** TO REDUCE THE RISK OF ELECTRIC SHOCK, ALWAYS UNPLUG FROM THE ELECTRICAL OUTLET BEFORE INSTALLATION.*

** THIS FIXTURE IS SUITABLE FOR DRY LOCATION ONLY.*

** THIS FIXTURE SHOULD ONLY BE CLEANED WITH A SOFT LINT FREE CLOTH DAMPLED WITH WATER. DO NOT USE ANY CHEMICAL OR ABUSIVE CLEANER AS THEY MAY DAMAGE THE SURFACE OF THE PRODUCTS.*

THIS PORTABLE LAMP HAS A POLARIZED PLUG (ONE BLADE IS WIDER THAN THE OTHER) AS A SAFETY FEATURE TO REDUCE THE RISK OF ELECTRIC SHOCK. THIS PLUG WILL FIT IN A POLARIZED OUTLET ONLY ONE WAY. IF IT DOES NOT FIT FULLY IN THE OUTLET, REVERSE THE PLUG. IF IT STILL DOES NOT FIT, CONTACT A QUALIFIED ELECTRICIAN. NEVER USE WITH AN EXTENSION CORD UNLESS THE PLUG CAN BE FULLY AND EASILY INSERTED. DO NOT ATTEMPT TO ALTER THE PLUG.

SAVE THESE INSTRUCTIONS FOR FUTURE REFERENCE.