

Features

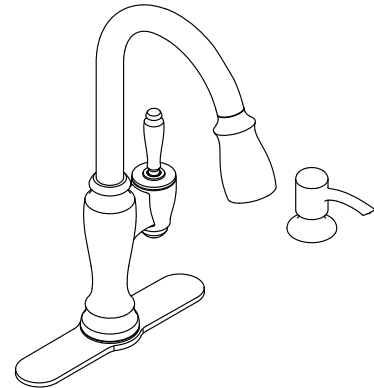
- Two-function pull-down sprayhead with touch-control allows you to switch between stream and Sweep® spray.
- Sweep® spray is a wide, powerful blade of water that sweeps your dishes and sink clean.
- DockNetik® magnetic docking system securely locks the sprayhead into place when not in use.
- ProMotion® technology allows the pull-down sprayhead to swivel for more comfortable use.
- MasterClean™ sprayface withstands mineral buildup to wipe clean easily without cleaning products.
- High-arch swing spout offers vertical clearance for tall cookware and pitchers.
- 1.5 gpm (5.7 l/min) maximum flow rate at 60 psi (4.14 bar).
- Single lever handle makes adjusting water temperature easy with one hand.
- Top-filling soap/lotion dispenser.
- KOHLER® ceramic disc valves exceed industry longevity standards, ensuring durable performance for life.
- Box includes: Assembled faucet, supply lines, escutcheon plate, soap/lotion dispenser.

Material

- Premium metal construction.
- KOHLER finishes featuring ScratchShield™ technology withstand even the toughest daily use.

Installation

- Installs with 1-, 2-, 3- or 4-hole sink.
- Flexible supply lines and quick-connect fittings make installation easy.
- Longer shank works with countertops up to 2-1/2" thick and is easy to install.



ADA **CSA B651**

Codes/Standards



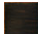
ASME A112.18.1/CSA B125.1
 NSF/ANSI 61
 NSF/ANSI 372
 All applicable US Federal and State material regulations
 DOE - Energy Policy Act 1992
 California Energy Commission (CEC)
 ADA
 ICC/ANSI A117.1
 CSA B651

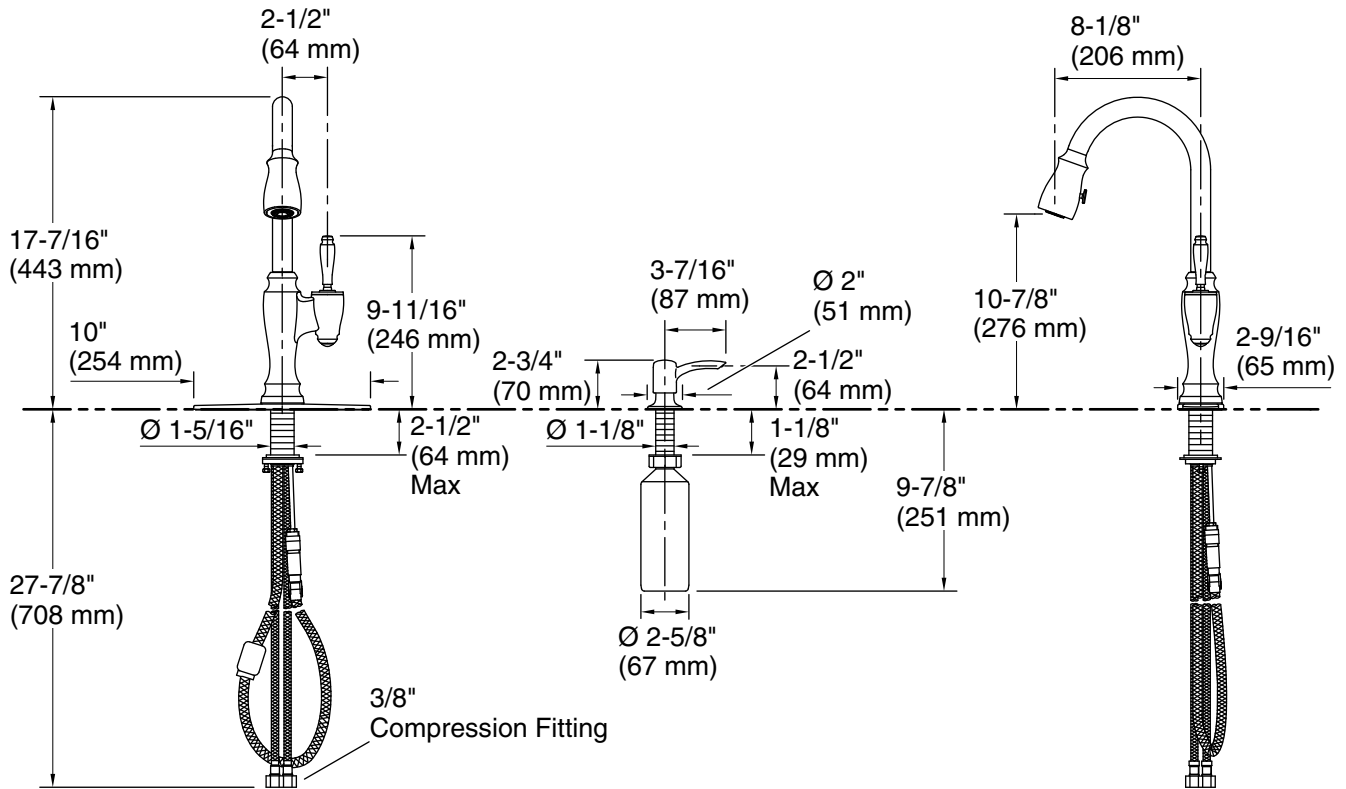
KOHLER® Faucet Lifetime Limited Warranty

See website for detailed warranty information.

Available Colors/Finishes

Color tiles intended for reference only.

Color	Code	Description
	CP	Polished Chrome
	VS	Vibrant® Stainless
	2BZ	Oil-Rubbed Bronze



Technical Information

All product dimensions are nominal.

Faucet:

Flow rate: 1.5 gal/min (5.7 l/min)

Pressure: 60 psi (4.1 bar)

Spout:

Spout reach: 8-1/8" (206 mm)

Notes

Install this product according to the installation instructions.

ADA, CSA B651 compliant when installed to the specific requirements of these regulations.