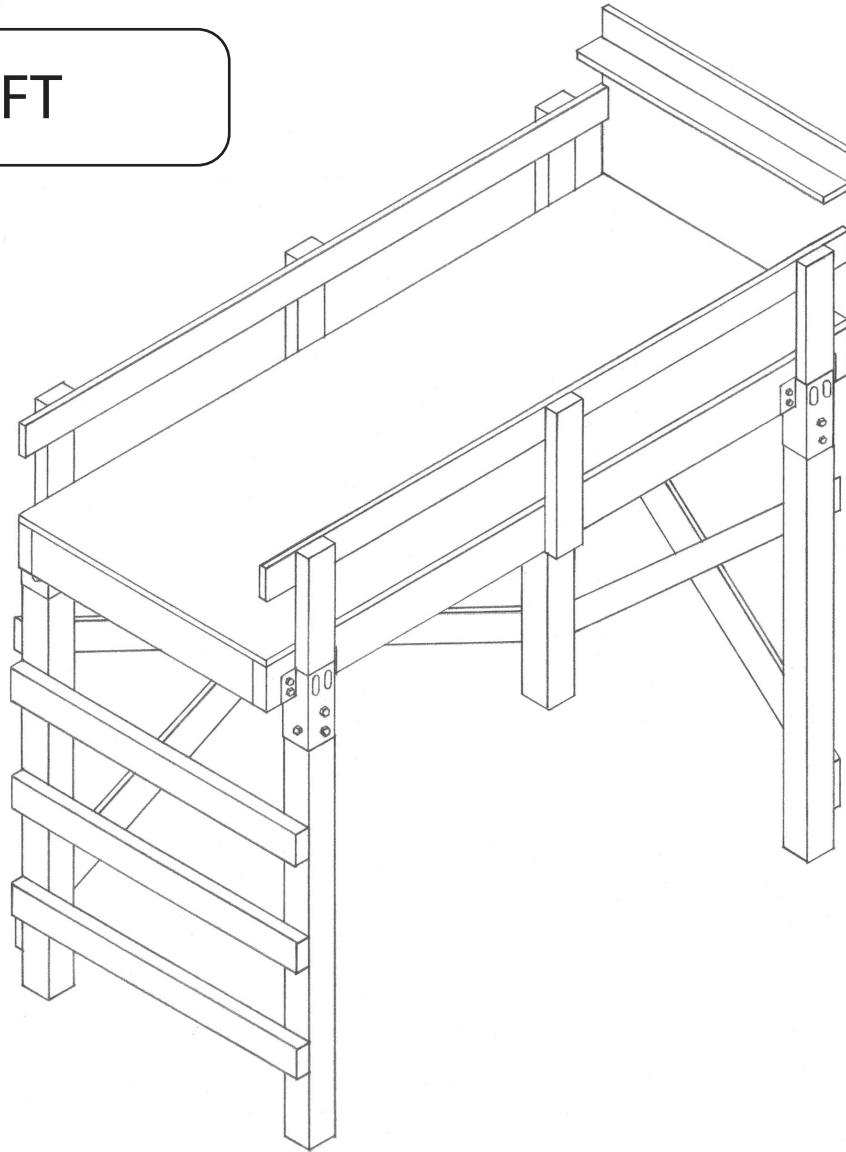


# DORM LOFT

- Use quality lumber.
- Build to local code.



## Materials List

### Clock Shelf

1 - 1x4, 37" long

### Head Board

1 - 4x8 sheet of 1/2" plywood, 30" x 37"

### Side Rails

2 - 1x4's, 8' long then cut to size

6 - 2x4's, 8' long then cut to size

### For Legs

4 - 4x4's, up to six feet tall

add an additional step if over 5'

### Frame:

4 - 2x4's, 34"

2 - 2x6's, 34"

2 - 2x6's, 80"

1 - 4x8 sheet of 1/2" plywood, 37" x 80"

### Steps

3 or 4 - 2x4's, 41"

Hardware

8 - 2x4' joist hangers

3 - shelf brackets

2 - 90 degree corner brackets, 1-1/2" x 3-1/2"

2lb box of 2 1/2" screws

2lb box of 3" screws

16 - 3 x 5/16" lag bolts

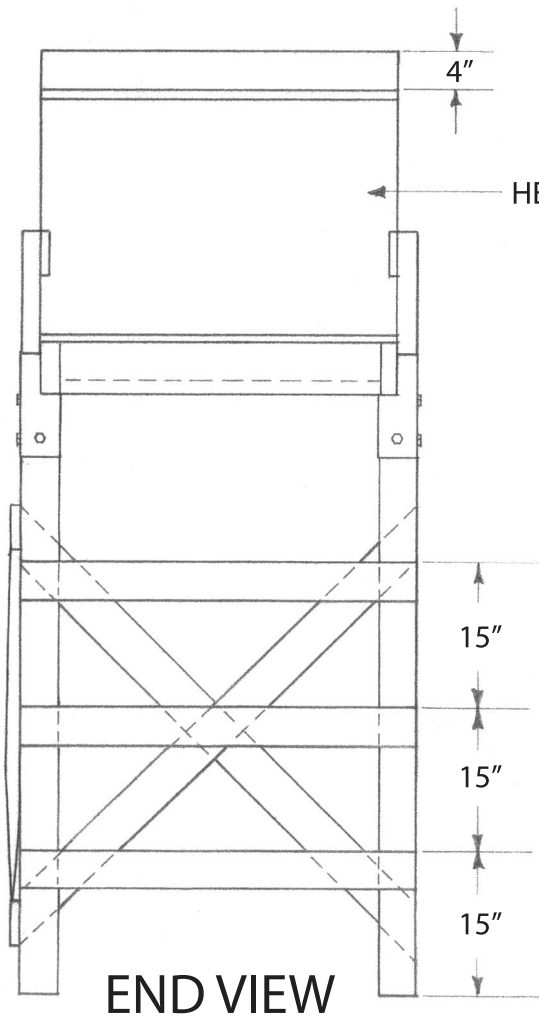
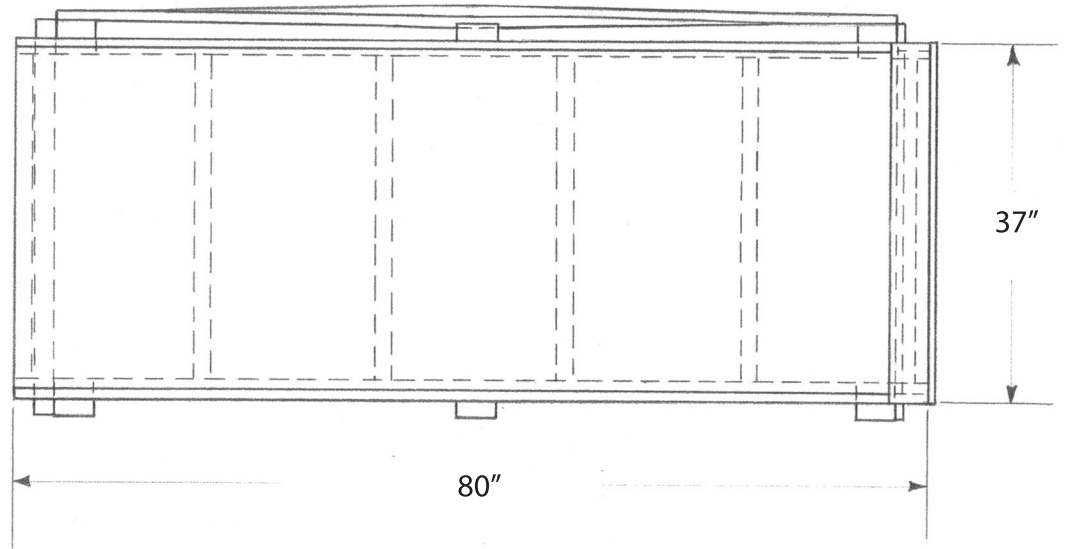
12 - 1 1/2 x 5/16" lag bolts

28 - Flat 5/16" washers

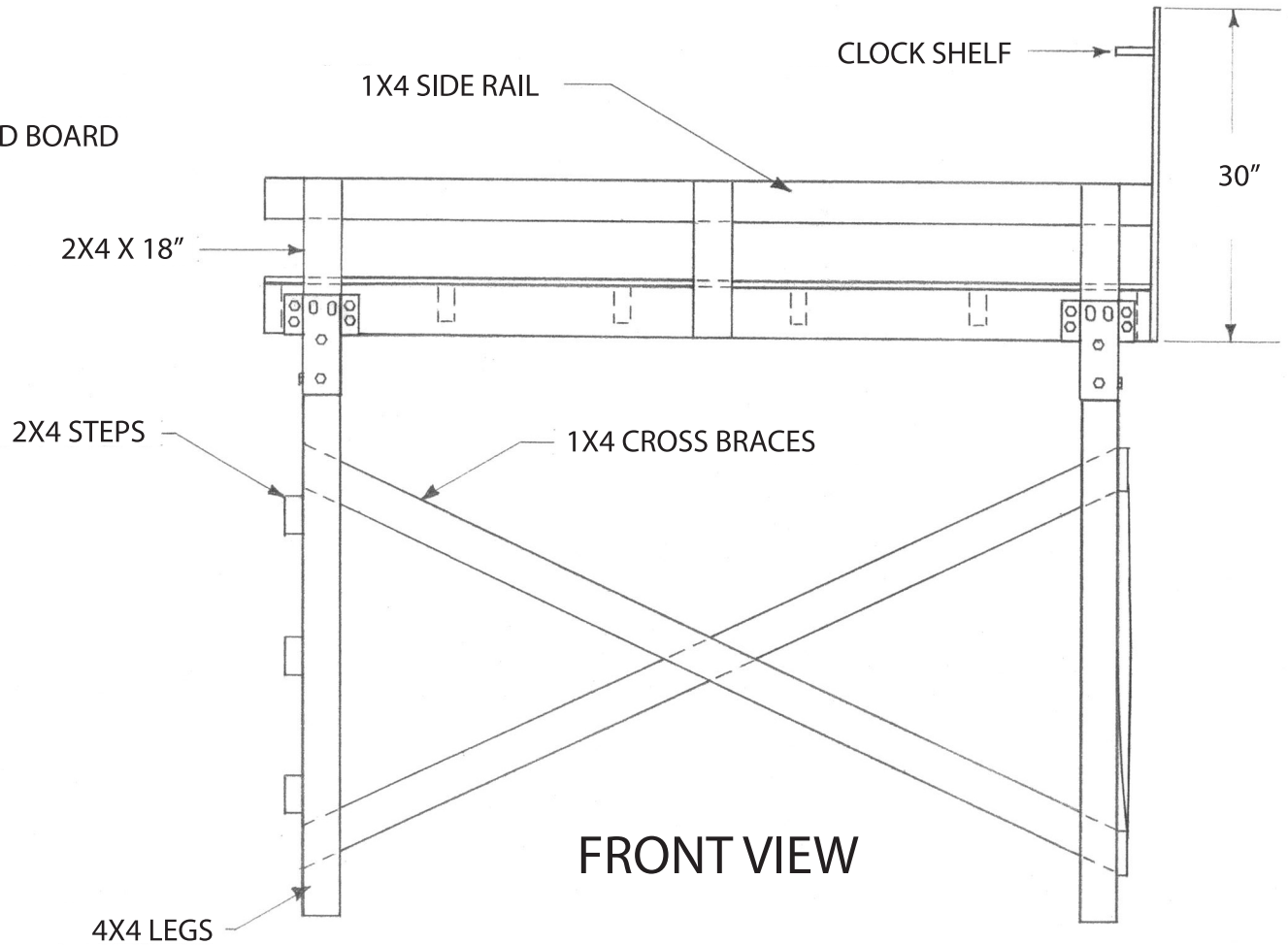
4x4 (E100) Straight Elevators, set of 4.



TOP VIEW

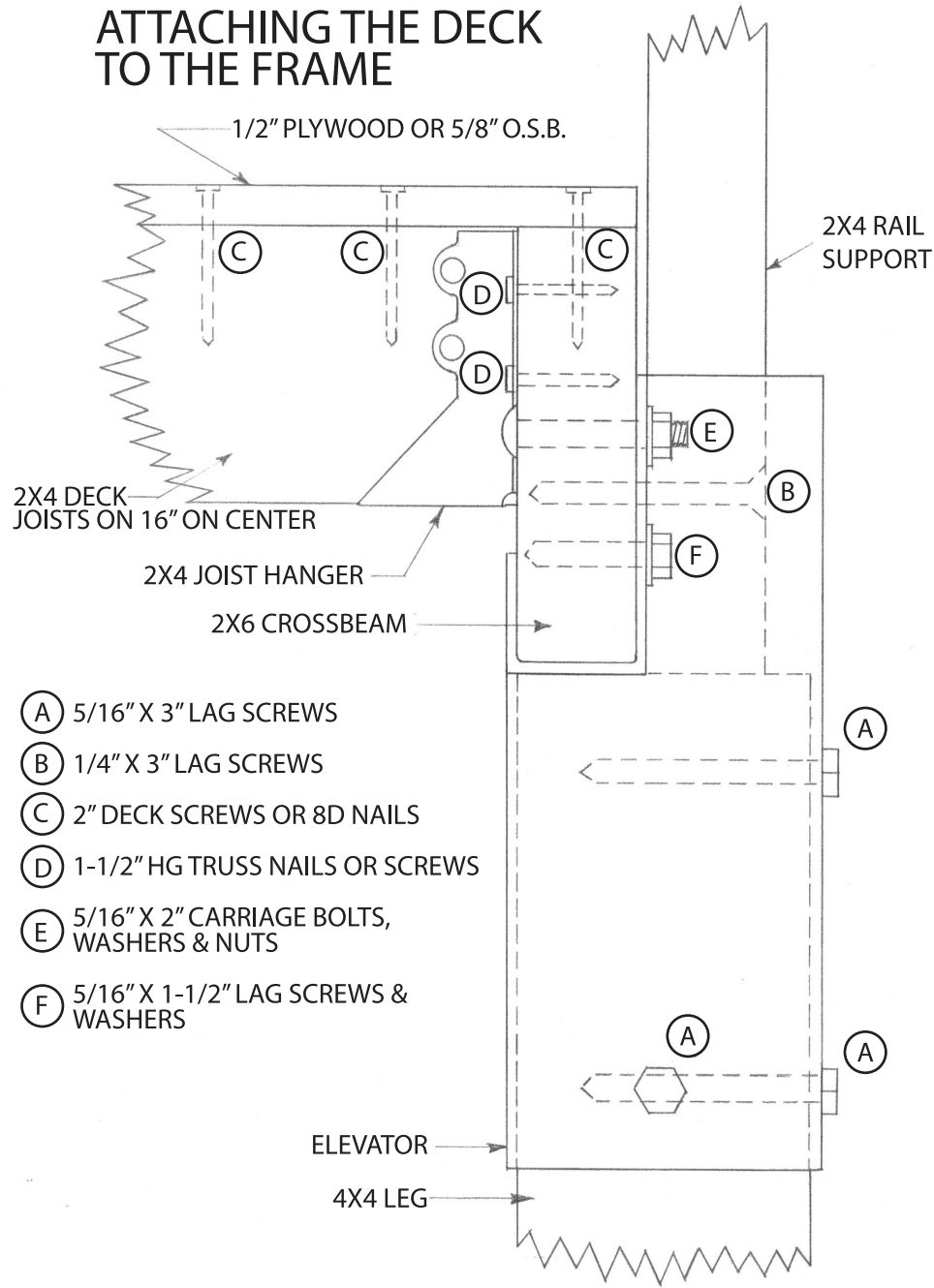


END VIEW



FRONT VIEW

# ATTACHING THE DECK TO THE FRAME



- (A) 5/16" X 3" LAG SCREWS
- (B) 1/4" X 3" LAG SCREWS
- (C) 2" DECK SCREWS OR 8D NAILS
- (D) 1-1/2" HG TRUSS NAILS OR SCREWS
- (E) 5/16" X 2" CARRIAGE BOLTS, WASHERS & NUTS
- (F) 5/16" X 1-1/2" LAG SCREWS & WASHERS

# HEADBOARD ASSEMBLY

