

# HOME DECORATORS COLLECTION

BUFFORD GLASS DOOR BOOKCASE

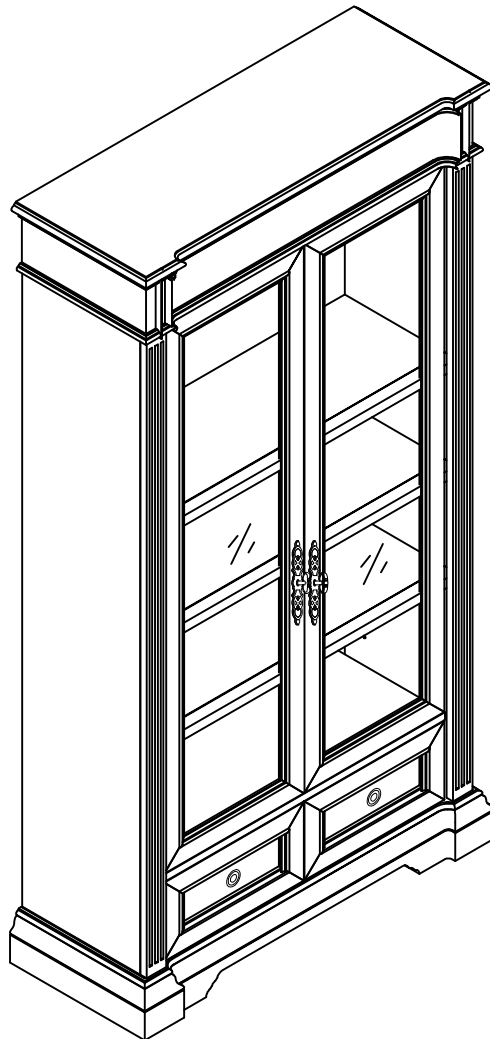
## Assembly Instructions

HDC#:9484500218/9484500219

MFG#:B4076B-BOX1/B4076B-BOX2

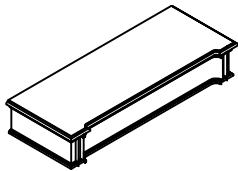
Please read over the instructions; it will be a time-saver in the long run.

Note: before assemble, please be sure to work on a soft flat surface to avoid any damage to the finish.



## Parts Check List

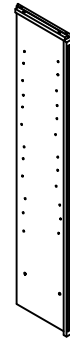
Please remove all the parts carefully from the box. Thoroughly clean all wood surfaces to remove dust and dirt that may have settled onto the finish.



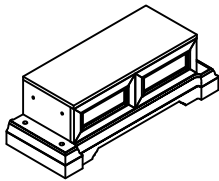
① Top Panel-1



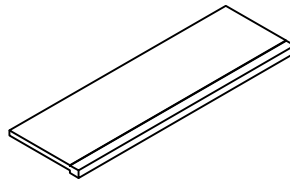
② Left Side Panel-1



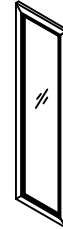
③ Right Side Panel-1



④ Bottom Panel-1



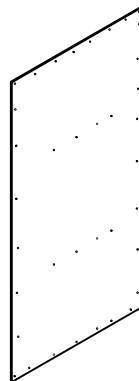
⑤ Adjustable shelf-3



⑥ Left Door-1



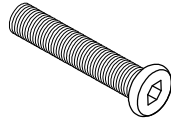
⑦ Right Door-1



⑧ Back Panel-1

# Hardware Check List

Please take all the hardware listed below out of the hardware bag.



**A** Bolt-8  
(Ø1/4" x 1-1/4")



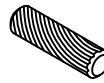
**B** Lock Washer-8  
(Ø1/4")



**C** Flat Washer-8  
(Ø 1/4" \* 12mm)



**D** Allen Wrench-1  
(Ø1/4")



**E** Wood Dowel-8  
(Ø8\*30mm)



**F** Shelf Pin-12



**G** Round Head Screw-28  
(#6 x 15mm)



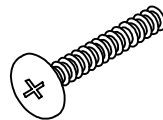
**H** Hinge-6



**I** Flat Head Screw-36  
(#7 x 15mm)



**J** Door Pull-2



**K** Bolt-2

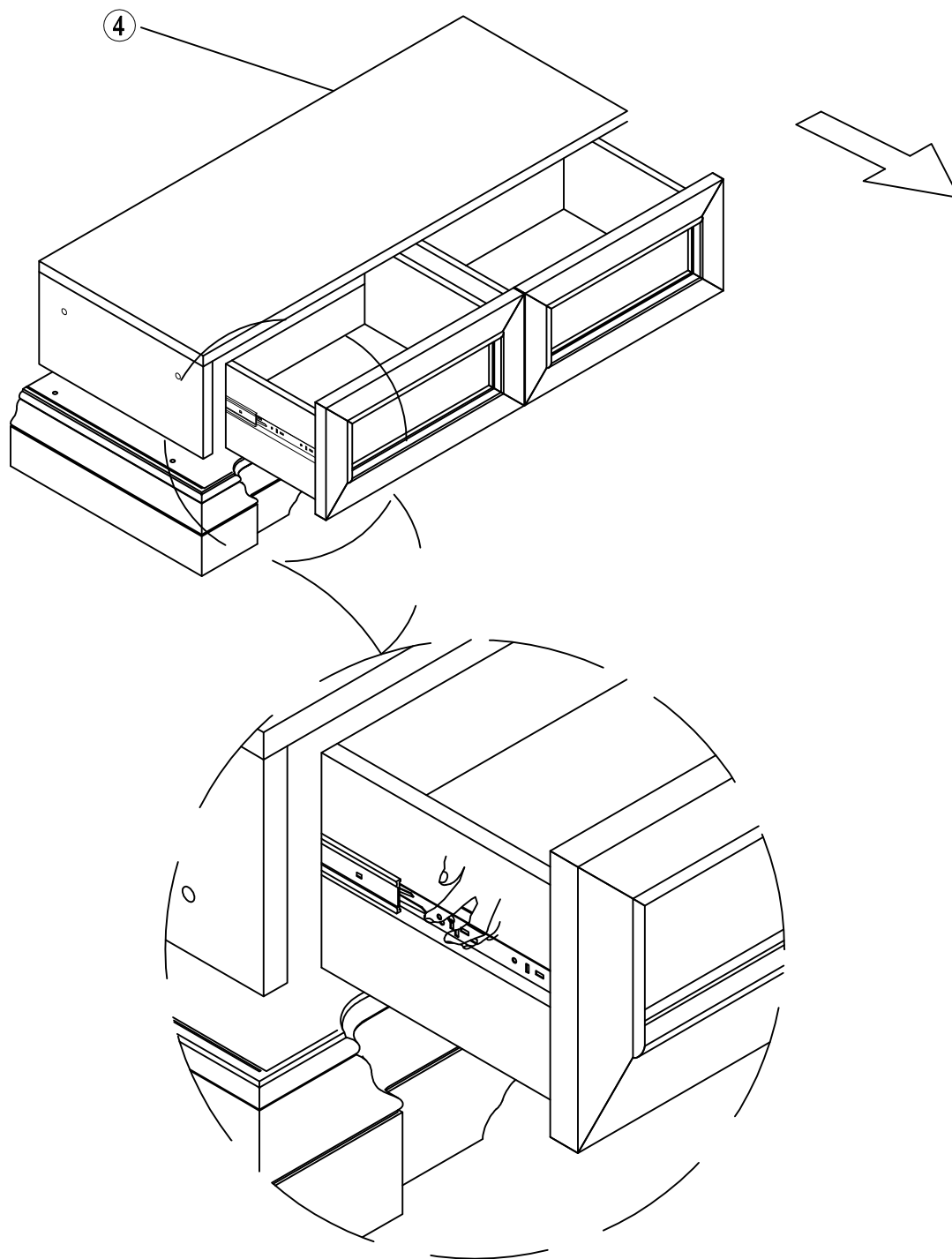


**L** Plastic cover-4



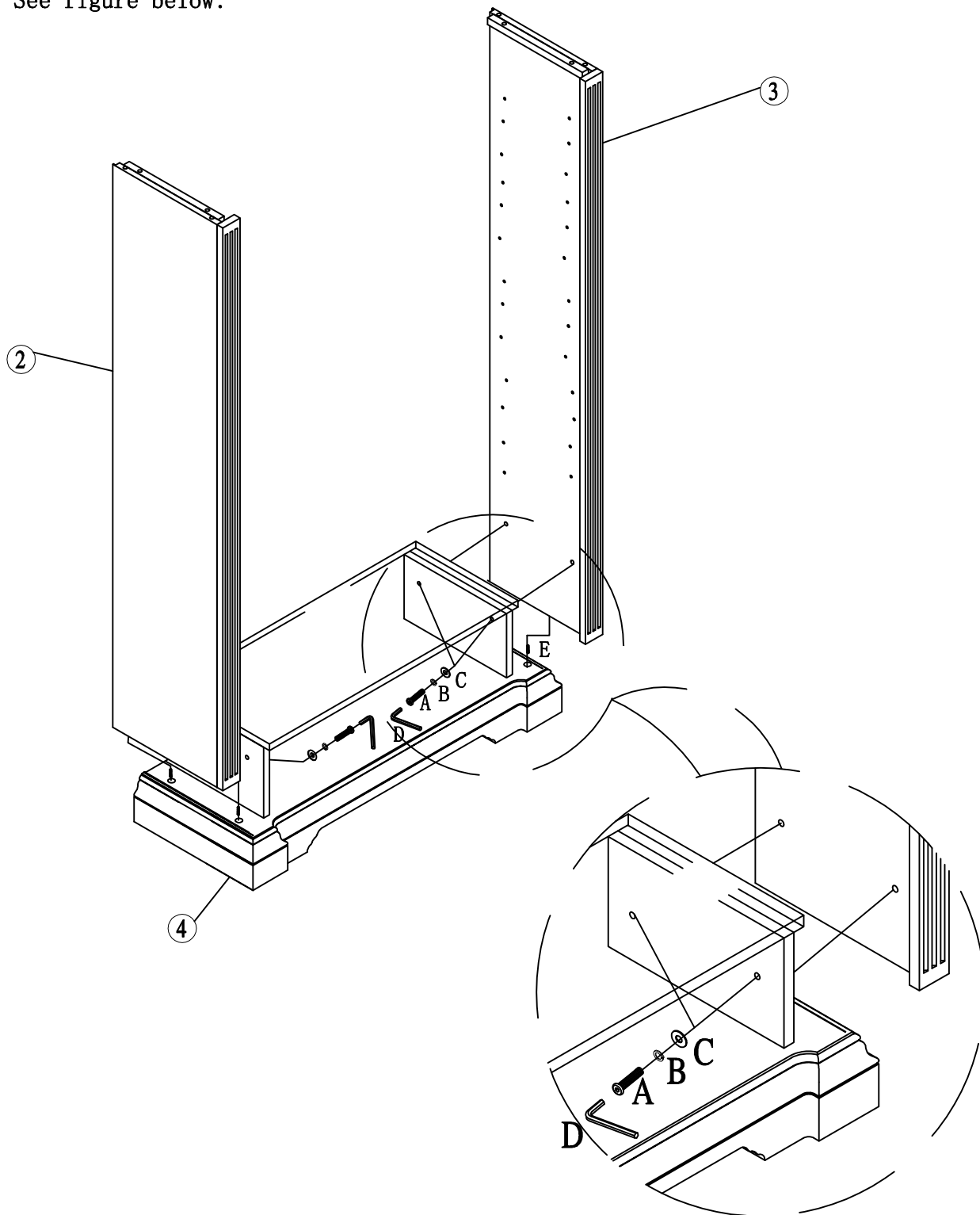
**M** Flat Head Screw-12  
(#6 x 12mm)

Step 1. Remove drawers from bottom panel (4) as shown.  
See figure below:



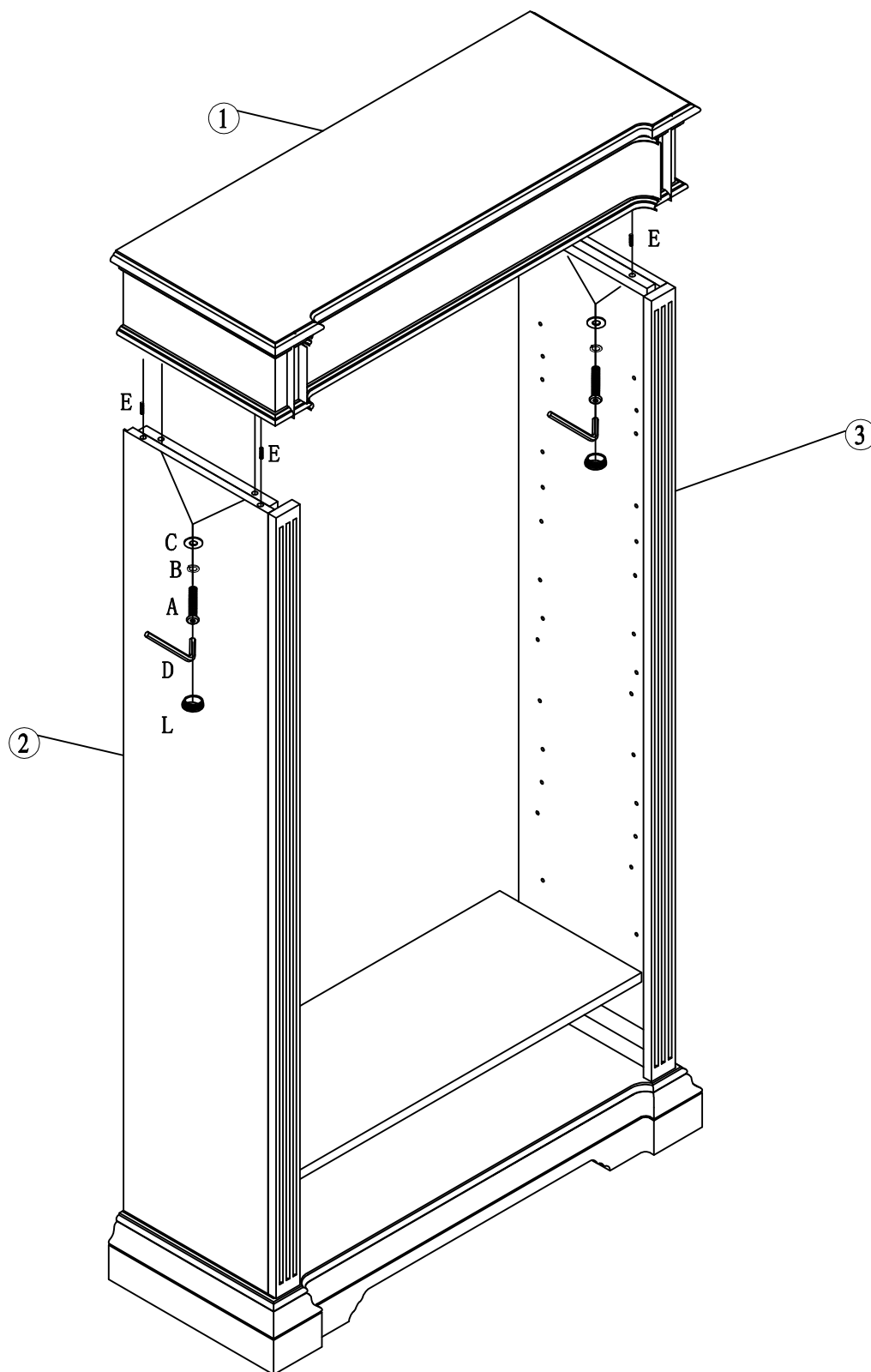
Step 2. Insert wood dowels (E) to the bottom panel(4) as shown. Then, attach left side panel (2) and right side panel (3) with bolt (A) through lock washer (B) and flat washer (C) by allen wrench (D).

See figure below:



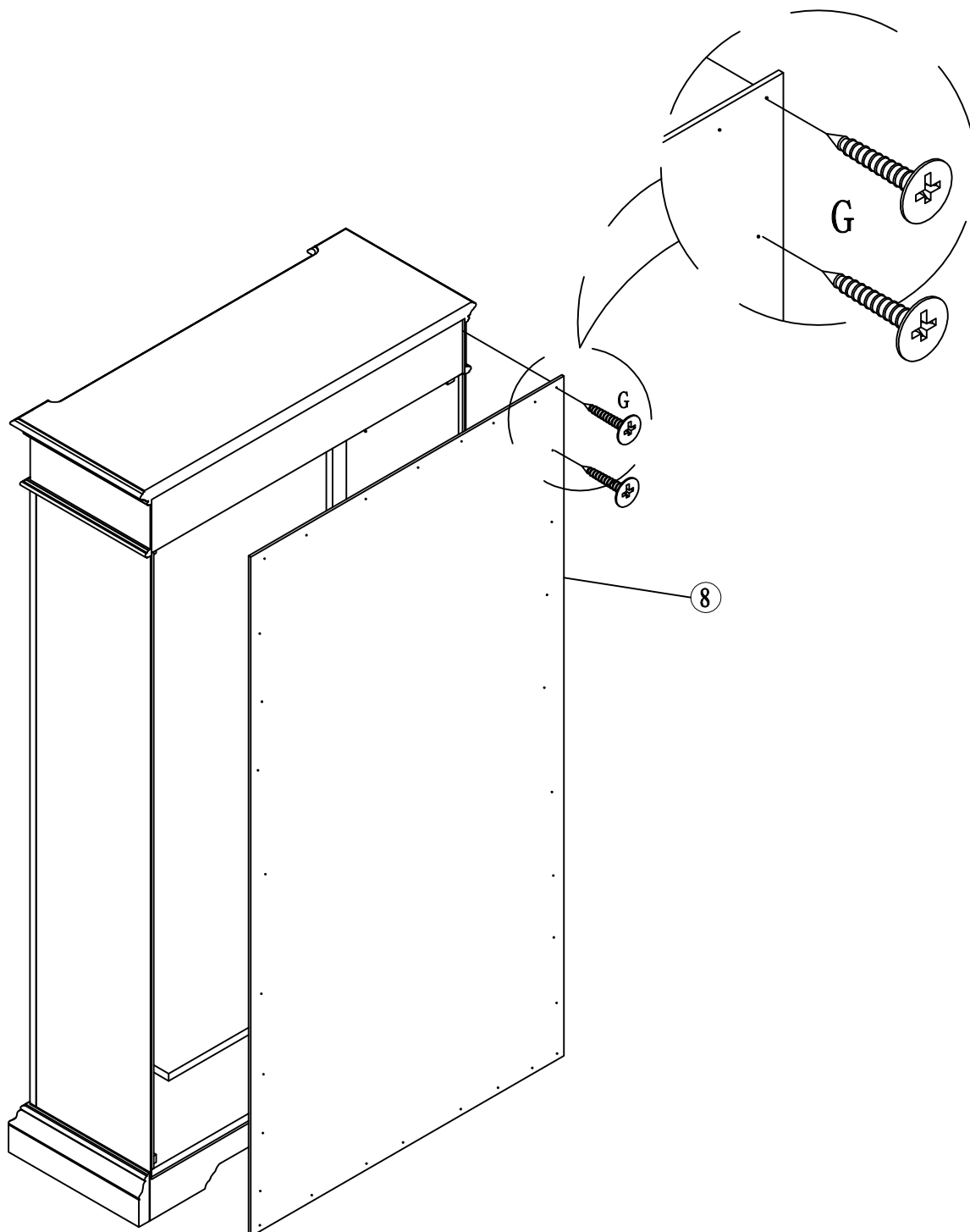
Step 3. First, insert wood dowels (E) to the left side panel (2) and right side panel (3) as shown. Now, attach the top panel (1) with bolt (A) through lock washer (B) and flat washer (C) by allen wrench (D). Then, attach the plastic cover (L).

See figure below:



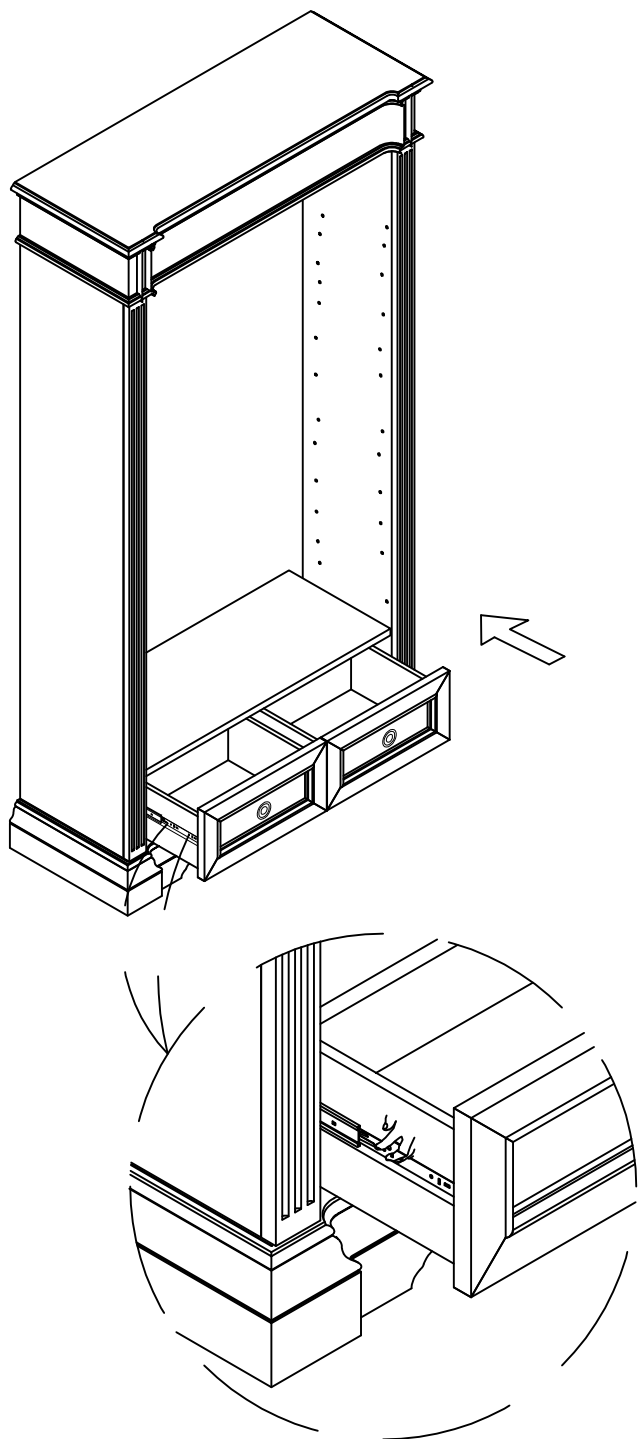
Step 4. Attach back panel (8) with screw (G) as shown.

See figure below:



Step 5. Place the drawers back into the unit as shown.

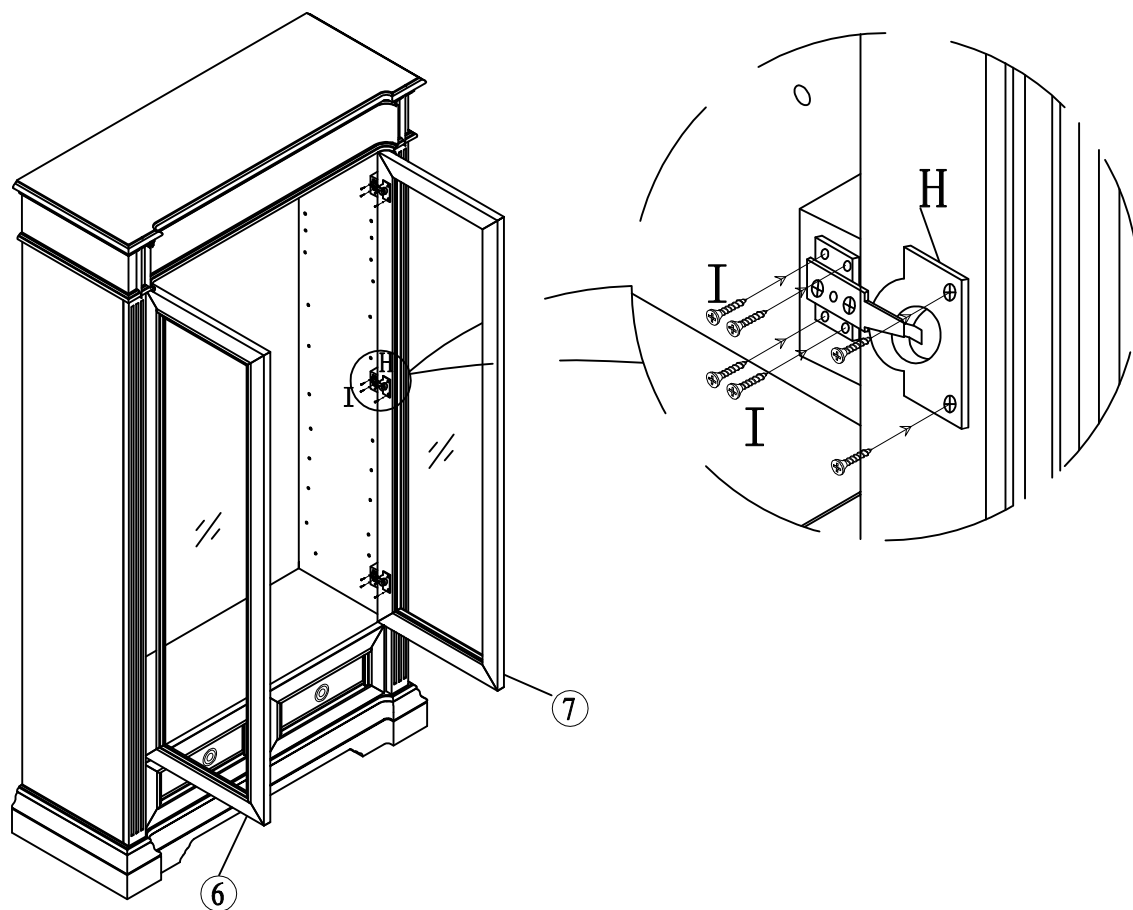
See figure below:





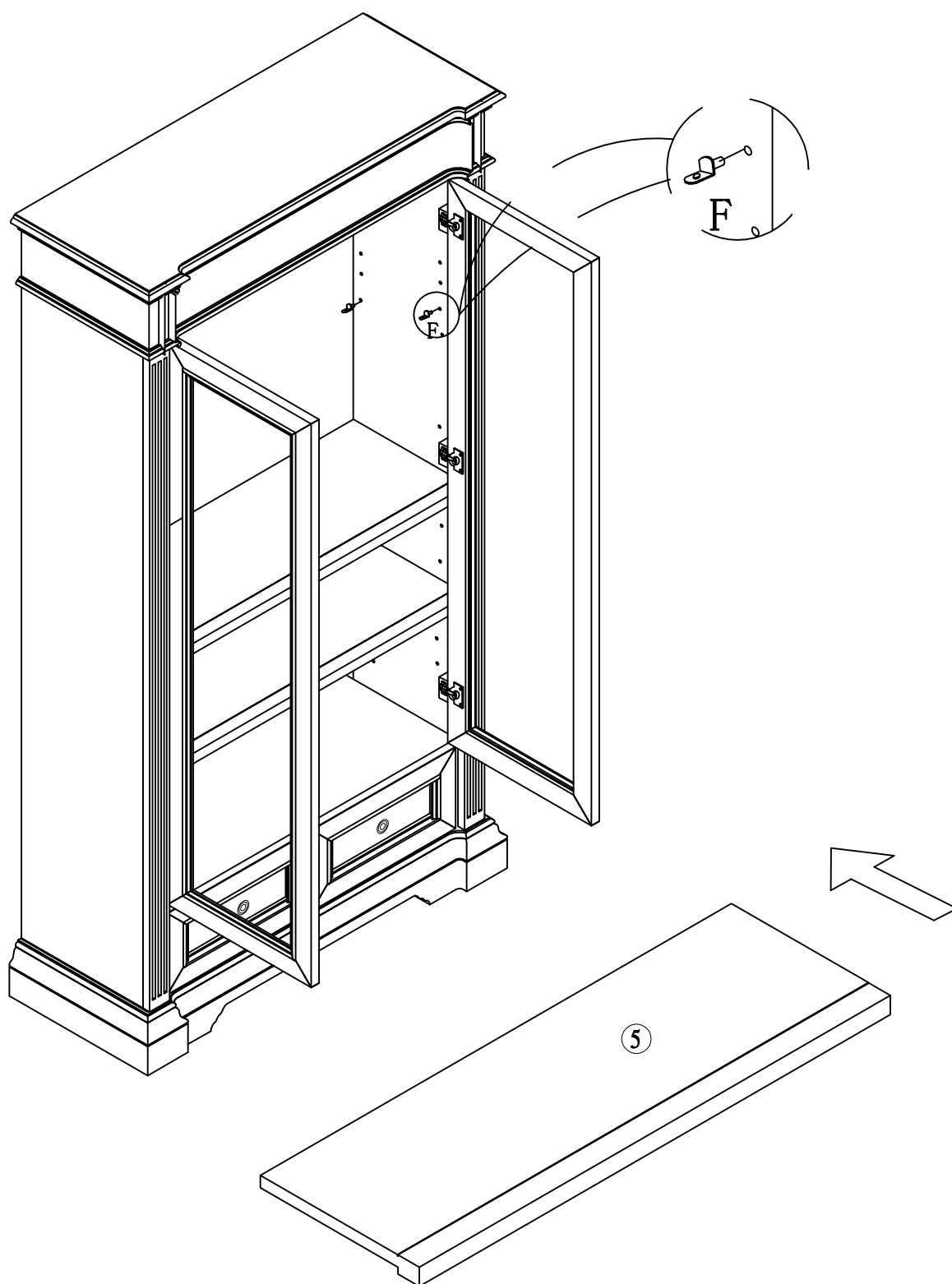
Step 6. Attach the left door (6) and right door (7) with hinge (H) and screw (I) as shown.

See figure below:



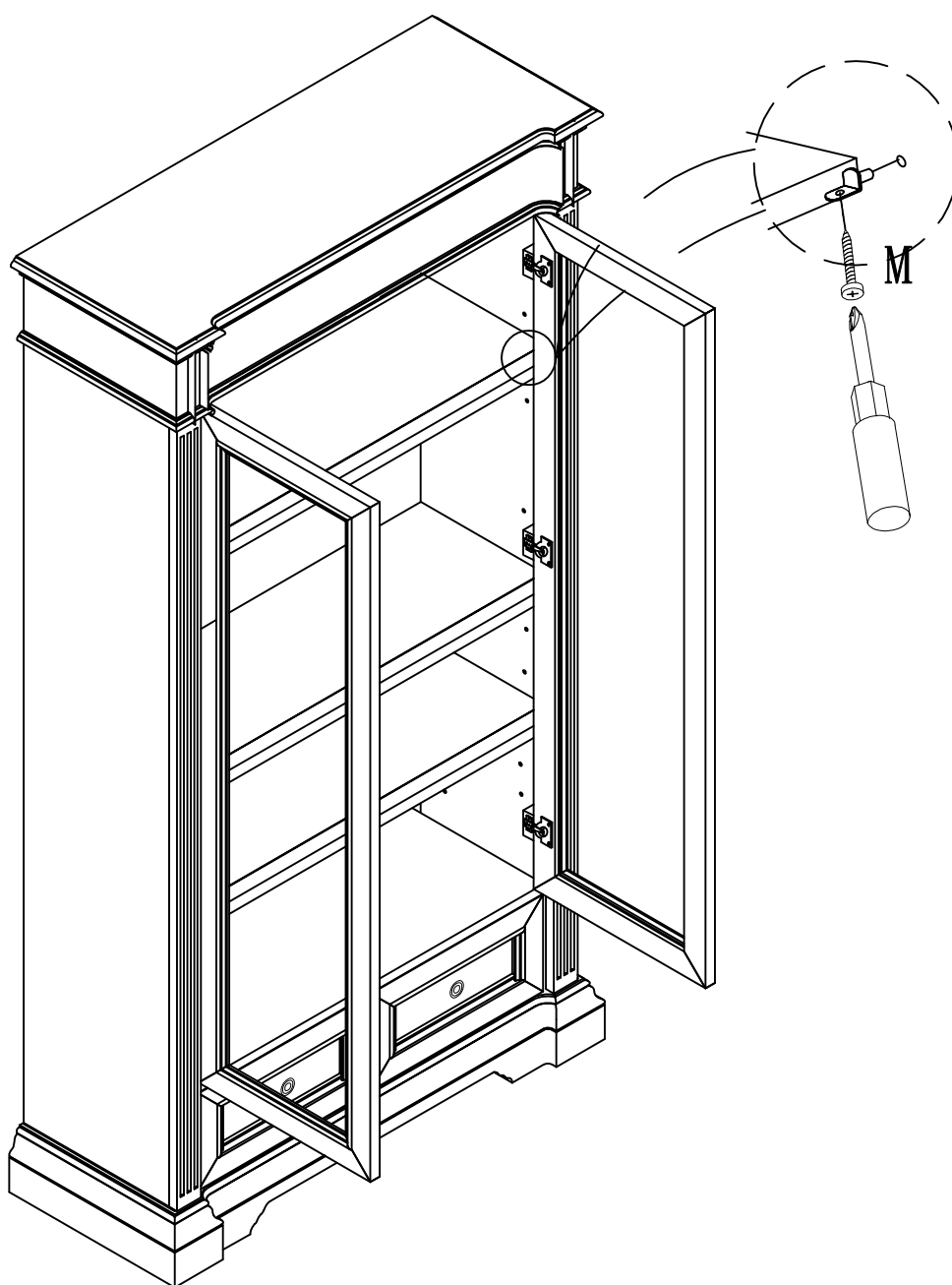
Step 7. Place adjustable shelves (5) onto shelf pins(F) as shown.

See figure below:



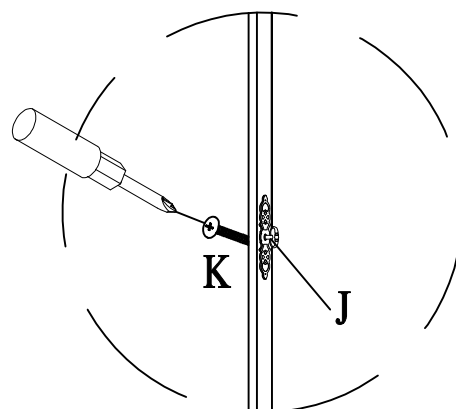
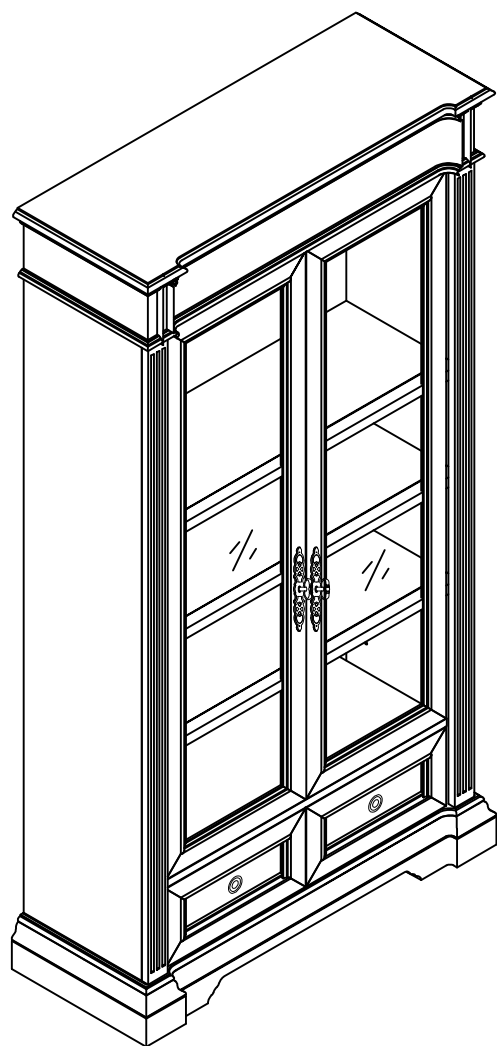
Step 8. Using a Phillips head screwdriver, secure shelf pin to shelving with 1 screw (M) as shown.

See figure below:



Step 9. Attach door pull(J) with bolt (K) onto door frame as shown.

See figure below:



Step 10. Anti-tip hardware kit must always be used to prevent the bookcase from tipping as shown.

See figure below:

