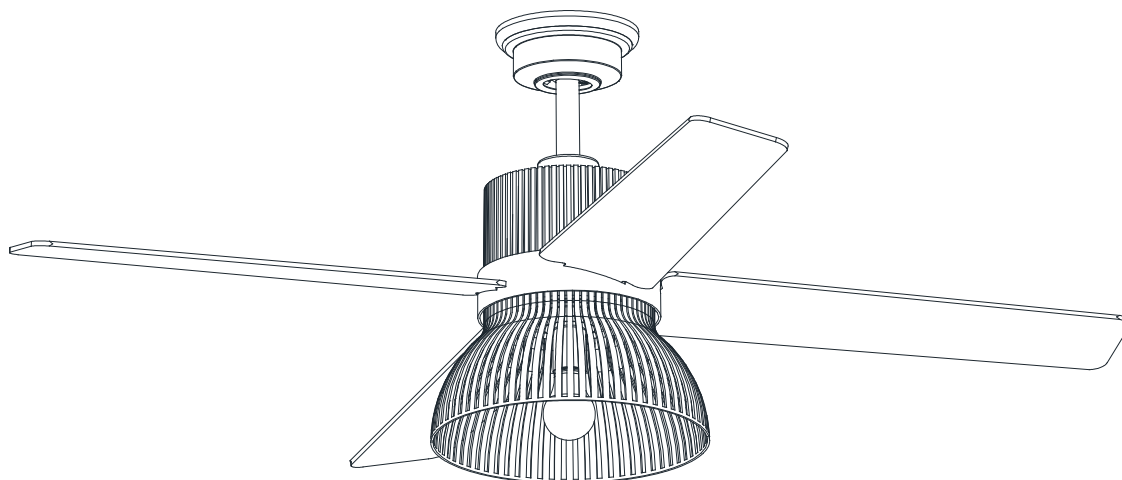


USE AND CARE GUIDE

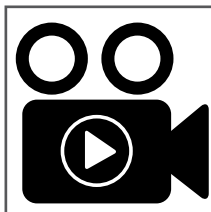
SAVANNAH 52-INCH CEILING FAN



Questions, problems, missing parts? Before returning to the store,
call Home Decorators Collection Customer Service
8 a.m. - 7 p.m., EST, Monday-Friday, 9 a.m. - 6 p.m., EST, Saturday.

1-800-986-3460

HOMEDEPOT.COM/HOMEDECORATORS



To view an instructional video on how to install this product:

1. Go to www.homedepot.com and enter either the Item or Model number, found in the top right corner of the cover of this instruction manual, in the search field.
2. Click on your product from the list of search results and click on the video link in the "Product Overview" section.

THANK YOU

We appreciate the trust and confidence you have placed in Home Decorators Collection through the purchase of this ceiling fan. We strive to continually create quality products designed to enhance your home. Visit us online to see our full line of products available for your home improvement needs. Thank you for choosing Home Decorators Collection!

Table of Contents

Table of Contents	2	Assembly.....	7
Safety Information.....	2	Operation	13
Warranty.....	3	Care and Cleaning.....	14
Pre-Installation	3	Troubleshooting.....	14
Installation.....	6		

Safety Information

READ AND SAVE THESE INSTRUCTIONS.

1. To reduce the risk of electric shock, ensure the electricity has been turned off at the circuit breaker or fuse box before you begin.
2. All wiring must be in accordance with the National Electrical Code ANSI/NFPA 70 and local electrical codes. Electrical installation should be performed by a qualified licensed electrician.
3. The outlet box and support structure must be securely mounted and capable of reliably supporting 35 lbs. (15.9 kg). Use only UL Listed outlet boxes marked "Acceptable for Fan Support of 35 lbs. (15.9 kg) or less".
4. **CAUTION:** The fan must be mounted with a minimum of 7 ft. (2.1 m) clearance from the trailing edge of the blades to the floor.
5. Do not operate the reversing switch while the fan blades are in motion. You must turn the fan off and stop the blades before you reverse the blade direction.
6. Do not place objects in the path of the blades.
7. To avoid personal injury or damage to the fan and other items, use caution when working around or cleaning the fan.
8. Electrical diagrams are for reference only. Light kits that are not packed with the fan must be UL-listed and marked suitable for use with the model fan you are installing. Switches must be UL General Use Switches. Refer to the instructions packaged with the light kits and switches for proper assembly.
9. After making electrical connections, spliced conductors should be turned upward and pushed carefully up into the outlet box. The wires should be spread apart with the grounded conductor and the equipment-grounding conductor on one side of the outlet box.
10. All set screws must be checked and retightened where necessary before installation.



WARNING: To reduce the risk of personal injury, do not bend the blade brackets (also referred to as flanges) during assembly or after installation. Do not insert objects in the path of the blades.



WARNING: To avoid possible electrical shock, turn the electricity off at the main fuse box before wiring. If you feel you do not have enough electrical wiring knowledge or experience, contact a licensed electrician.



WARNING: Electrical diagrams are for reference only. Optional use of any light kit shall be UL-listed and marked suitable for use with this fan.



WARNING: To reduce the risk of fire or electric shock, this fan should only be used with fan speed control part no. AP-3RDL manufactured by Dawnsun Electronic Technology Co., LTD ZhongShan.



WARNING: To reduce the risk of electric shock, this fan must be installed with an isolating wall switch.



CAUTION: To reduce the risk of personal injury, use only the screws provided with the outlet box.



CAUTION: Changes or modifications not expressly approved by the party responsible for compliance could void the user's authority to operate the equipment.



CAUTION: Do NOT use this fan with a dimmer switch or wall control. Using a dimmer switch or wall control will damage the fan.

This equipment has been tested and found to comply with the limits for a Class B digital device, pursuant to Part 15 of the FCC Rules. These limits are designed to provide reasonable protection against harmful interference in a residential installation. This equipment generates, uses and can radiate radio frequency energy and, if not installed and used in accordance with the instructions, may cause harmful interference to radio communications. However, there is no guarantee that interference will not occur in a particular installation. If this equipment does cause harmful interference to radio or television reception, which can be determined by turning the equipment off and on, the user is encouraged to try to correct the interference by one or more of the following measures:

- Reorient or relocate the receiving antenna.
- Increase the separation between the equipment and receiver.
- Connect the equipment into an outlet on a circuit different from that to which the receiver is connected.
- Consult the dealer or an experienced radio/TV technician for help.



CAUTION: Any changes or modifications not expressly approved by the grantee of this device could void the user's authority to operate the equipment. This device complies with Part 15 of the FCC Rules. Operation is subject to the following two conditions: (1) This device may not cause harmful interference, and (2) this device must accept any interference received, including interference that may cause undesired operation.

Warranty

The supplier warrants the fan motor to be free from defects in workmanship and material present at time of shipment from the factory for a lifetime after the date of purchase by the original purchaser. The supplier warrants that the light kit, excluding any glass, to be free from defects in workmanship and material at the time of shipment from the factory for a period of five years after the date of purchase by the original purchaser. The supplier also warrants that other fan parts, excluding any glass or acrylic blades, to be free from defects in workmanship and material at the time of shipment from the factory for a period of two years after the date of purchase by the original purchaser. We agree to correct such defects without charge or at our option replace with a comparable or superior model if the product is returned. To obtain warranty service, you must present a copy of the receipt as proof of purchase. All costs of removing and reinstalling the product are your responsibility. Damage to any part, such as by accident, misuse, improper installation, or by affixing any accessories, is not covered by this warranty. Because of varying climatic conditions this warranty does not cover any changes in brass finish, including rusting, pitting, corroding, tarnishing, or peeling. Brass finishes of this type give their longest useful life when protected from varying weather conditions. A certain amount of "wobble" is normal and should not be considered a defect. Servicing performed by unauthorized persons shall render the warranty invalid. There is no other express warranty. Home Decorators Collection hereby disclaims any and all warranties, including but not limited to those of merchantability and fitness for a particular purpose to the extent permitted by law. The duration of any implied warranty, which cannot be disclaimed, is limited to the time period as specified in the express warranty. Some states do not allow a limitation on how long an implied warranty lasts, so the above limitation may not apply to you. The retailer shall not be liable for incidental, consequential, or special damages arising out of or in connection with product use or performance except as may otherwise be accorded by law. Some states do not allow the exclusion of incidental or consequential damages, so the above exclusion or limitation may not apply to you. This warranty gives specific legal rights, and you may also have other rights that vary from state to state. This warranty supersedes all prior warranties. Shipping costs for any return of product as part of a claim on the warranty must be paid by the customer.

Contact the Customer Service Team at 1-800-986-3460 or visit HOMEDEPOT.COM/HOMEDECORATORS.

Pre-Installation

SPECIFICATIONS

Size	Speed	Volts	Amps	Watts	RPM	CFM	Net Weight	Gross Weight	Cubic Feet
52 in.	Low	120	0.22	12	70	2759	15.8 lbs (7.2 kg)	22.05 lbs (10 kg)	2.19 ft ³
	Medium		0.35	30	120	4171			
	High		0.49	59	180	5897			



NOTE: These are approximate measures. They do not include the amps and wattage used by the light kit.



TOOLS REQUIRED



Phillips screwdriver



Flat head screwdriver



Adjustable wrench



Electrical tape



Wire cutter



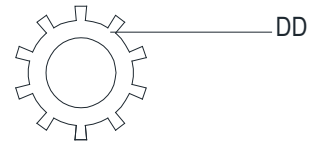
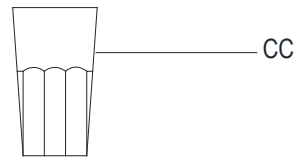
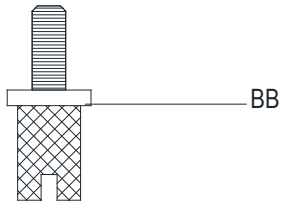
Step ladder

Pre-Installation (continued)

HARDWARE INCLUDED



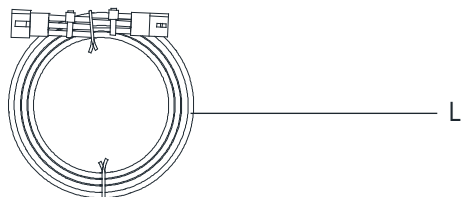
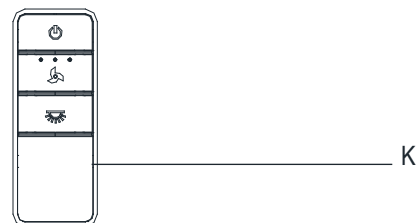
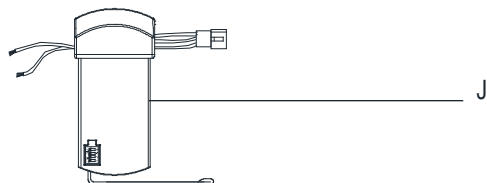
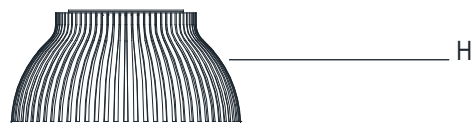
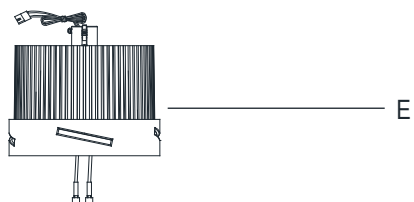
NOTE: Hardware not shown to actual size.



Part	Description	Quantity
AA	Blade screws	13
BB	Thumb screw	3
CC	Plastic wire connector	3
DD	Washers	3

Pre-Installation (continued)

PACKAGE CONTENTS



Part	Description	Quantity
A	Slide-on mounting bracket (inside canopy)	1
B	Ball/downrod assembly	1
C	Canopy	1
D	Decorative motor collar cover	1
E	Fan-motor assembly	1
F	Light kit assembly	1
G	Blade	4

Part	Description	Quantity
H	Decorative cage	1
I	Bulb	1
J	Receiver	1
K	Remote control	1
L	Extension lead wire	1
M	Battery	1



IMPORTANT: This product and/or components are governed by one or more of the following U.S. Patents: 5,947,436; 5,988,580; 6,010,110; 6,046,416, 6,210,117 and other patents pending.

Installation

MOUNTING OPTIONS



WARNING: To reduce the risk of fire, electric shock, or personal injury, mount the fan to an outlet box marked "Acceptable for fan support of 35 lbs (15.9 kg) or less" and use the screws provided with the outlet box. An outlet box commonly used for the support of lighting fixtures may not be acceptable for fan support and may need to be replaced. If in doubt, consult a qualified electrician.

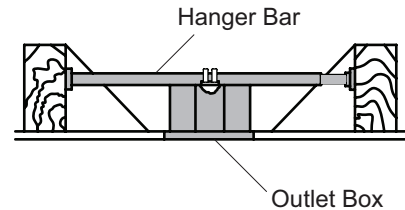
If your ceiling fan does not have an existing UL-listed mounting box, then install one using the following instructions:

- Disconnect the power by removing the fuses or turning off the circuit breakers.
- Secure the outlet box directly to the building structure. Use the appropriate fasteners and materials. The outlet box and its bracing must be able to fully support the weight of the moving fan (at least 35 lbs). Do not use a plastic outlet box.

The illustrations below show three different ways to mount the outlet box.



NOTE: You may need a longer downrod to maintain proper blade clearance when installing on a steep, sloped ceiling. The maximum angle allowable is 20° away from horizontal.



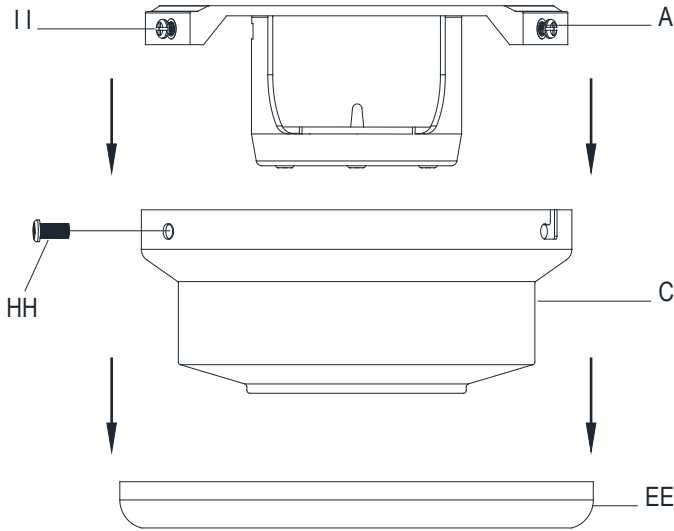
If the canopy (C) touches the ball/downrod assembly (B), then remove the decorative canopy bottom cover and turn the canopy (C) 180° before attaching the canopy (C) to the mounting plate.

To hang your fan where there is an existing fixture but no ceiling joist, you may need an installation hanger bar as shown above (available at any Home Depot store).

Assembly - Standard Ceiling Mount

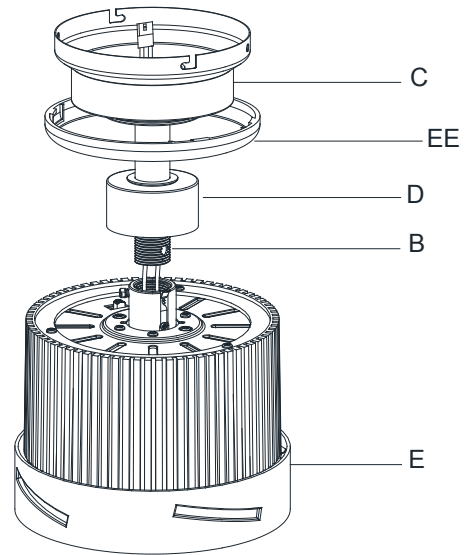
1 Preparing for standard mounting

- Remove the canopy ring (EE) by turning the ring counter-clockwise until it unlocks.
- Remove the mounting bracket (A) from the canopy (C) by loosening the two canopy screws (II) located in the “L shaped” slots.
- Remove and save the two canopy screws (HH) in the round holes. This will enable you to remove the mounting bracket (A).



2 Routing the wires

- Route the wires exiting the top of the fan motor assembly (E) through the decorative motor collar cover (D) and then the canopy trim ring (EE).
- Make sure the opening of the canopy (C) is on top and insert the ball/downrod (B) through the canopy (C).
- Route the wires exiting the top of the fan motor assembly (E) through the downrod (B) as shown.



3 Assembling the fan

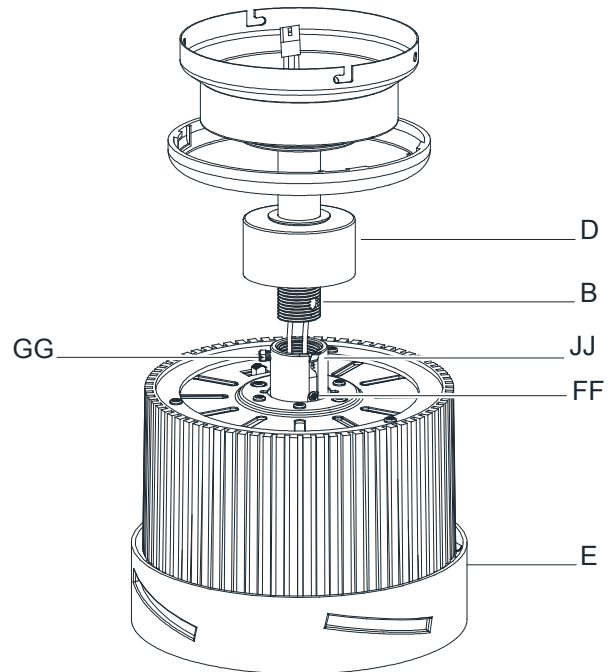


CAUTION: To ensure wobble-free operation and to avoid damage to the fan, the downrod (B) and the setscrew (GG) must be completely tightened.



NOTE: This fan is equipped with a safety tab (JJ). Should the setscrew (GG) ever become loose while the fan is running in reverse, the safety tab (JJ) will engage and stop the fan from falling.

- Loosen, but do not remove, the set screws (GG) on the collar on top of the fan-motor assembly (E).
- Install the downrod (B) by inserting it into the motor collar (FF), and turning it clockwise until it is tight.
- Re-tighten the set screws (GG) on the collar on top of the fan-motor assembly (E).



Assembly - Hanging the Fan

1 Attaching the fan to the electrical box

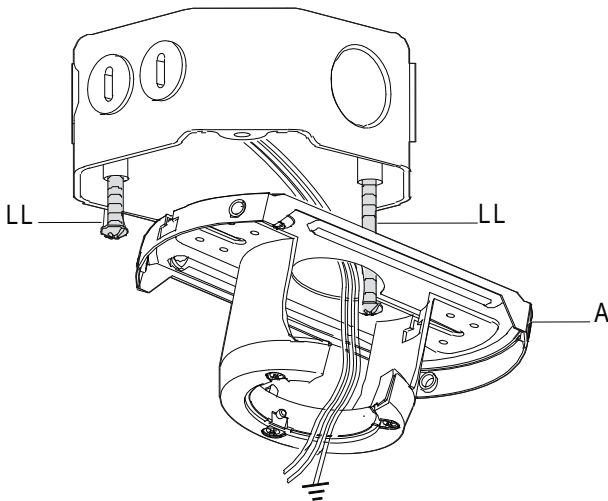


WARNING: To reduce the risk of fire, electric shock, or other personal injury, mount the fan to an outlet box or supporting system marked "Acceptable for fan support of 35 lbs (15.9 kg) or less" and use the mounting screws provided with the outlet box.



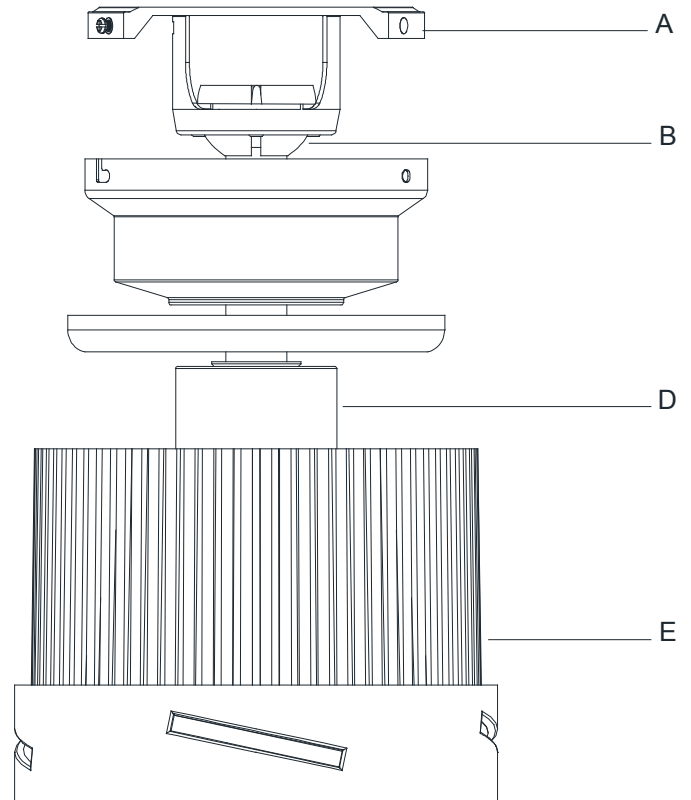
NOTE: The mounting bracket (A) is designed to slide into place on an outlet box with the outlet box screws (LL).

- Pass the 120-volt supply wires through the center hole in the slide-on mounting bracket (A).
- Install the ceiling slide-on mounting bracket (A) on the outlet box by sliding the slide-on mounting bracket (A) over the two screws (LL) provided with the outlet box. If necessary, use leveling washers (not included) between the slide-on mounting bracket (A) and the outlet box. Note that the flat side of the slide-on mounting bracket (A) is toward the outlet box.
- Securely tighten the two mounting screws (LL).



2 Hanging the fan

- Carefully lift the fan-motor assembly (E) up to the slide-on mounting bracket (A).
- Seat the hanger ball portion of the ball/downrod assembly (B) in the mounting bracket socket. Ensure that the tab on the slide-on mounting bracket (A) socket is properly seated in the groove in the hanger ball of the ball/downrod assembly (B).



Assembly - Hanging the Fan (continued)

3 Setting the code on the remote control and receiver



NOTE: The frequencies on your receiver and hand unit have been preset at the factory. Before installing the receiver, make sure the dip switches on the receiver and hand unit are set to the same frequency. The dip switches on the hand unit are located inside the battery compartment.

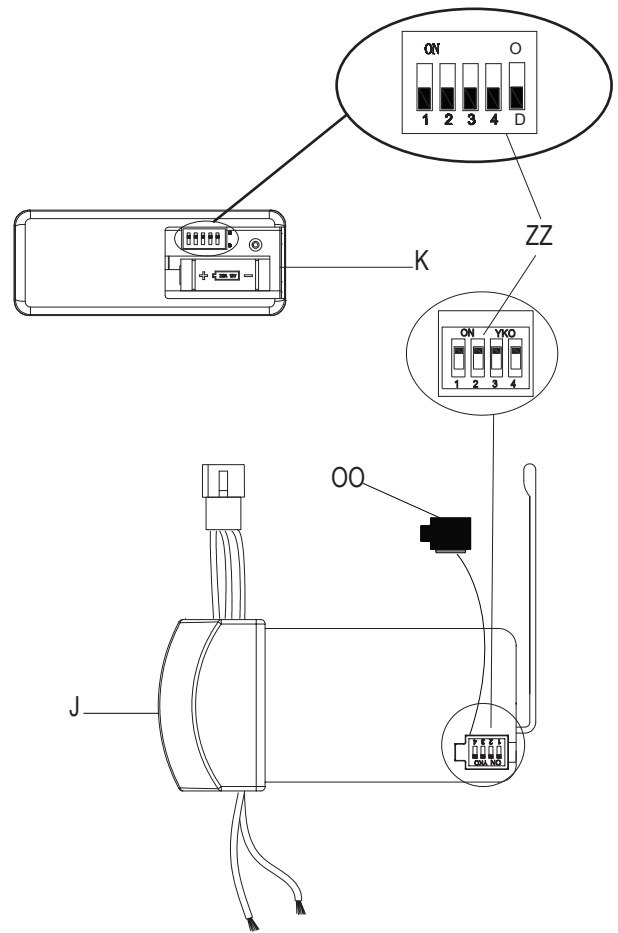


NOTE: The switch marked "O/D" controls the dimming function of the lights. If using non-dimmable bulbs, use a ballpoint pen or small screwdriver to set the switch to "O" to disable the dimming function. If using dimmable bulbs, set the switch to "D" to enable the dimming function.



NOTE: The battery will weaken with age and should be replaced before leaking takes place, as this will damage the hand unit. Dispose of the used battery properly and keep the battery out of the reach of children.

- ❑ Remove the remote control (K) battery cover by pressing firmly on the arrow and sliding the cover off.
- ❑ Slide the dip switches (ZZ) to your choice of either up or down. The factory setting is up.
- ❑ Slide the dip switches (ZZ) on the receiver (J) to the same position as set on the remote control (K).
- ❑ Install the 23A 12V batteries (included).
- ❑ Replace the battery cover on the remote control (K).
- ❑ Insert the silicone rubber stopper (OO) into the hole on the receiver (J) to cover the dip switches.



4 Installing the receiver

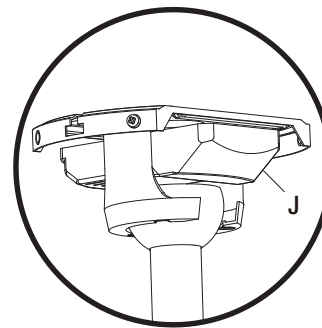


WARNING: To reduce the risk of fire or electric shock, remember to disconnect power. The electrical wiring must meet all local and national electrical code requirements. The electrical source and fan must be 110/120 volt, 60Hz. Do not use this product in conjunction with any variable wall control. Incorrect wire connection can damage this receiver.

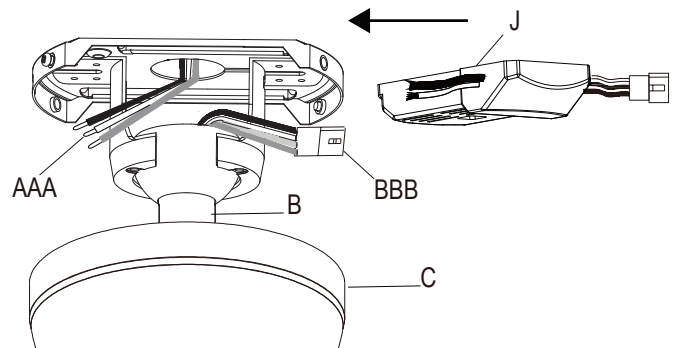


CAUTION: If other fan wires are a different color, have this unit installed by a licensed electrician.

- ❑ Position the house supply wires (AAA) to one side of the slide-on mounting bracket (A); position the fan wires (BBB) to the opposite side.
- ❑ Insert the narrow end of the receiver (J) (as shown, flat side towards the ceiling) into the slide-on mounting bracket (A) until it rests on top of the ball/downrod assembly (B).



Receiver (J) correctly positioned in the mounting bracket.



Assembly - Hanging the Fan (continued)

5 Wiring the receiver to the household wiring



WARNING: To avoid possible electrical shock, turn the electricity off at the main fuse box before wiring. If you feel you do not have enough electrical wiring knowledge or experience, contact a licensed electrician.

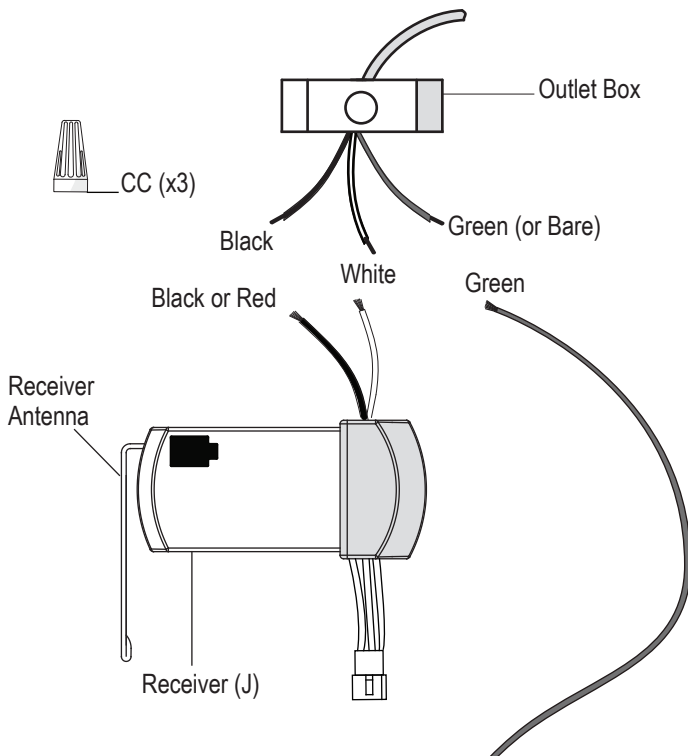


WARNING: Each wire nut supplied with this fan is designed to accept up to one 12-gauge house wire and two wires from the fan. If you have larger than 12-gauge house wiring or more than one house wire to connect to the fan wiring, consult an electrician for the proper size wire nuts to use.



IMPORTANT: Use the wire connecting nuts (CC) supplied with your fan. Secure the connectors with electrical tape and ensure there are no loose strands or connections.

- Spread the wires apart so that the green and white wires are on one side of the outlet box and the black wire is on the other side.
- Connect the green fan wires to the household ground wire (this may be a green or bare wire) using a wire connecting nut (CC).
- Connect the receiver (J) black or red wire to the household black (hot) wire using a wire connecting nut (CC).
- Connect the receiver (J) white wire to the household white wire (neutral) using a wire connecting nut (CC).
- Secure each wire connecting nut using electrical tape.

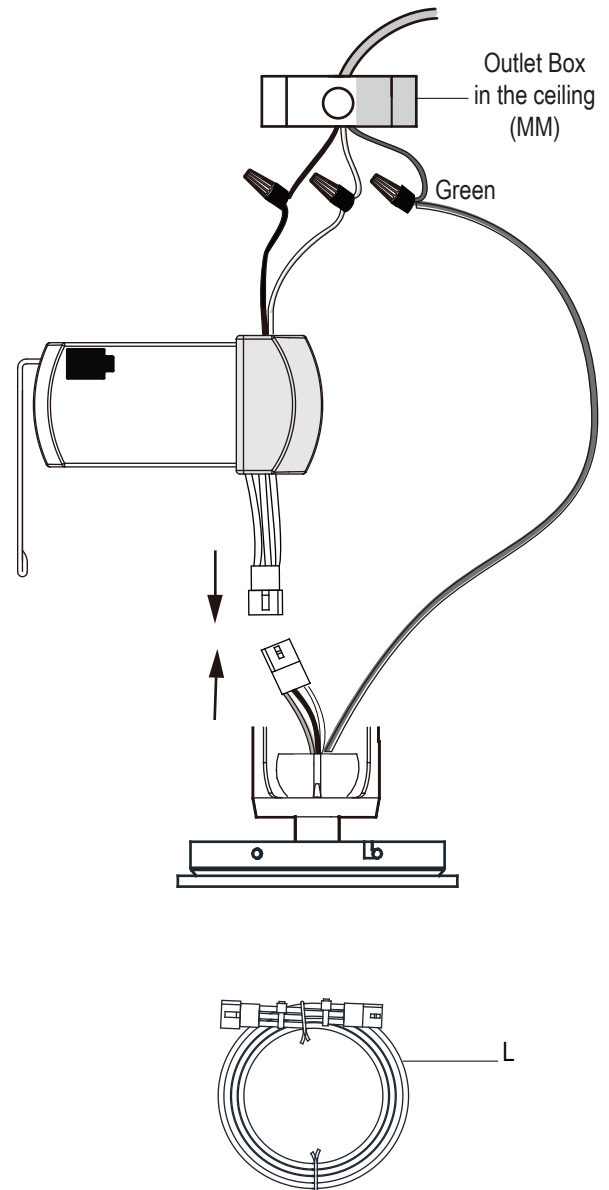


6 Wiring the fan to the receiver



NOTE: The fan comes with 12 in. lead wires for use with the provided 6 in. ball downrod assembly (B). If you wish to use longer downrod, you can use the extension lead wire (42 in.) (L) provided.

- If using the 6 in. ball downrod assembly (B) provided, wire the receiver to the fan wires by connecting the molded adaptor plug from the receiver (J) with the molded adaptor of the fan motor assembly (E) together.
- If you wish to use a longer downrod, you can use the extension lead wire (42 in.) (L) provided by connecting the molded adaptor together.



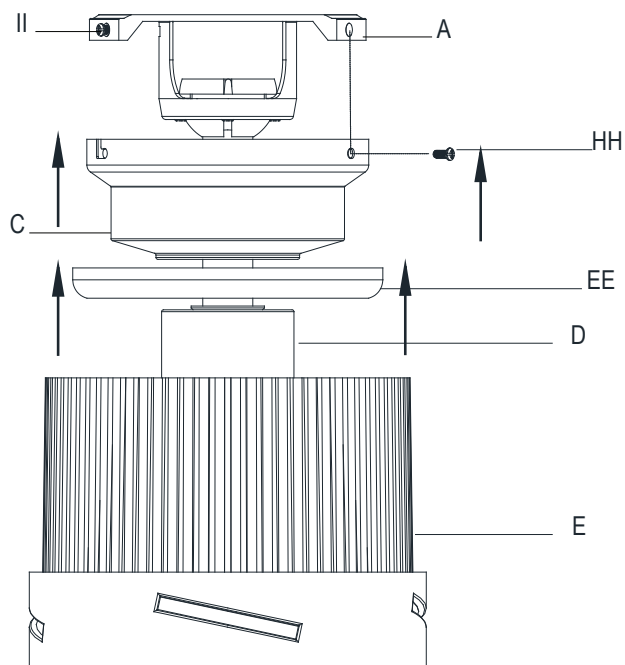
Assembly - Hanging the Fan (continued)

7 Mounting the fan-motor assembly (standard mount)



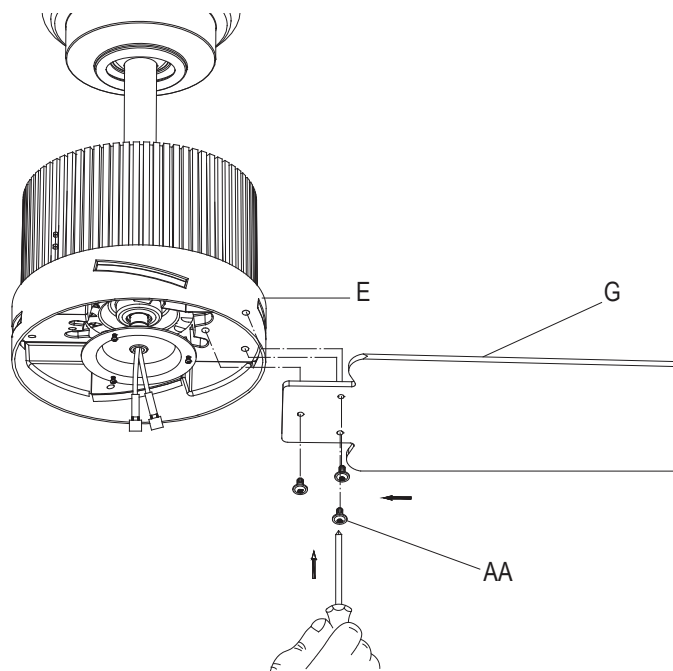
WARNING: When using the standard ball/downrod mounting, the tab in the ring at the bottom of the mounting bracket must rest in the groove of the hanger ball. Failure to properly seat the tab in the groove could cause damage to the wiring.

- Align the locking slots of the canopy (C) with the two screws (II) in the mounting bracket (A). Push up to engage the slots and turn clockwise to lock in place.
- Firmly tighten the two mounting screws (II).
- Install the two canopy screws (HH) (saved from Assembly Step 1 “Preparing for mounting”) into the holes in the canopy (C) and tighten firmly.
- Install the decorative canopy ring (EE) by aligning the ring’s slots with the screws in the canopy (C). Rotate the ring clockwise to lock in place.



8 Installing the blades

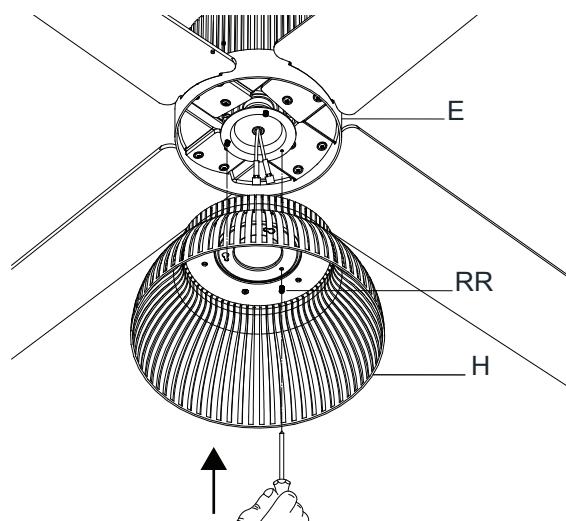
- Attach a blade (G) to the fan motor assembly (E) by inserting the blade (G) into slots in the side of the fan motor assembly (E) and aligning the three screw holes in the blade with the holes in the center flywheel and secure with screws (AA).
- Make sure all the screws are firmly tightened.
- Repeat these steps for the remaining blades.



Assembly - Attaching the Light

1 Installing the decorative cage

- Remove one screw (RR) from the black bracket below the fan motor assembly (E), and loosen, but do not remove, the other two screws.
- Push the decorative cage (H) up to the black bracket so that the two loosened screw heads fit into the keyhole slots. Turn the decorative cage (H) clockwise to secure.
- Re-install the screw (RR) that was removed in step 1.
- Make sure all the screws are firmly tightened.

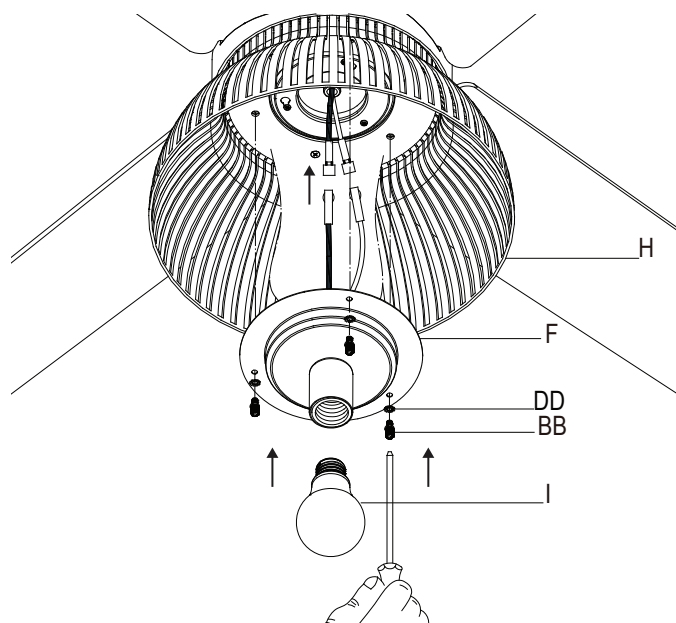


2 Attaching the light kit fitter assembly



CAUTION: To reduce the risk of electric shock, disconnect the electrical supply circuit to the fan before installing the light fixture.

- Connect the wires from the light kit fitter assembly (F) to the wires from the fan motor assembly (E) by connecting the molded adaptor plugs together (blue to black, white to white). Carefully tuck all wires and splices into the switch cup.
- Push the light kit fitter assembly (F) up to the decorative cage (H) and align the holes on the light kit fitter assembly (F) with the holes on the decorative cage (H). Secure the light kit fitter assembly (F) by tightening the three thumb screws (BB) and washers (DD).
- Use the screwdriver to make sure all the screws are firmly tightened.
- With power off, install the light bulb (I) by screwing it into the light bulb socket.



Assembly - Attaching the Accessories

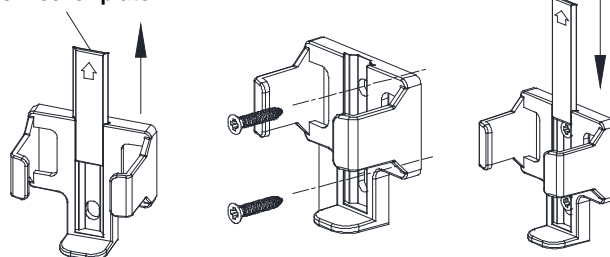
Mounting the remote control holder



NOTE: Screw wall anchors are included for extra support. The included screws are designed to screw easily into the wall. If you would like a more permanent or secure hold, install the wall anchors prior to attaching the wall cradle to the wall.

- Slide the screw cover plate up to remove it from the wall cradle.
- Position the wall cradle in the desired position and attach it to the wall using the included wall cradle screws.
- Slide the screw cover plate back onto the wall cradle to conceal the screws.

Screw cover plate



Operating Your Fan and Remote Control

Remote control - Your fan is equipped with a remote control to operate the speed and lights of your new ceiling fan.

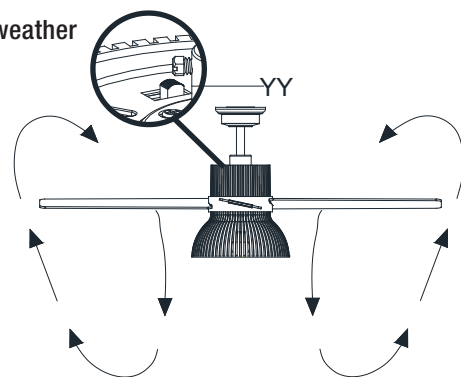
The speed setting for warm or cool weather depends on factors such as the room size, ceiling height, number of fans and so on.

The fan is shipped from the factory with the reversing switch (YY) positioned to circulate air downward. If airflow is desired in the opposite direction, turn your fan off and wait for the blades to stop turning, then slide the reversing switch (located on the top of the motor housing) to the opposite position, and turn the fan on again. The fan blades will turn in the opposite direction and reverse airflow.

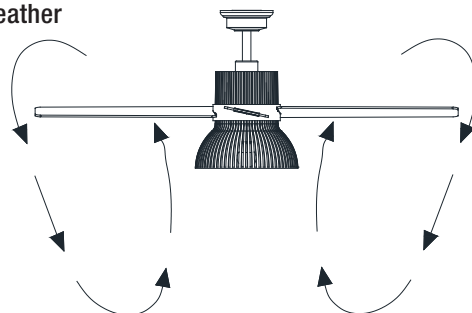
Warm weather - (Forward) A downward airflow creates a cooling effect. This allows you to set your air conditioner on a higher setting without affecting your comfort.

Cool weather - (Reverse) An upward airflow moves warm air off of the ceiling. This allows you to set your heating unit on a lower setting without affecting your comfort.








A. Warm weather

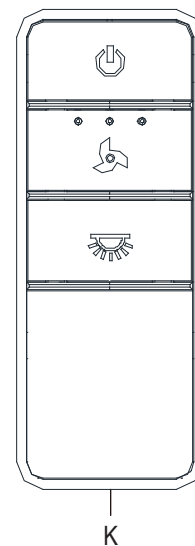


B. Cool weather



Operating Your Fan and Remote Control

- Power ON/OFF** - Press and release the  button to turn the fan and light on or off.
- Fan Speed** - LEDs on the fan speed button will illuminate to the corresponding speed.
 -  - Press and release 1 time - turns the fan on high speed.
 -  - Press and release 2 times - turns the fan on medium speed.
 -  - Press and release 3 times - turns the fan on low speed.
 -  - Press and release 4 times - turns the fan off.
- Light ON/OFF/Dimmer** - Press and release the  button to turn the light on or off. Press and hold the  button to activate the dimmer function (as long as you have not previously set O/D dip switch in your remote to the "ON" position).



Care and Cleaning



WARNING: Make sure the power is off before cleaning your fan.

- Because of the fan's natural movement, some connections may become loose. Check the support connections, brackets, and blade attachments twice a year. Make sure they are secure. It is not necessary to remove the fan from the ceiling.
- Clean your fan periodically to help maintain its new appearance over the years. Do not use water when cleaning, as this could damage the motor or the wood, or possibly cause an electrical shock. Use only a soft brush or lint-free cloth to avoid scratching the finish. The plating is sealed with a lacquer to minimize discoloration or tarnishing.
- You can apply a light coat of furniture polish to the wood for additional protection and enhanced beauty. Cover small scratches with a light application of shoe polish.
- You do not need to oil your fan. The motor has permanently-lubricated sealed ball bearings.

Troubleshooting

Problem	Solution
The fan will not start.	<ul style="list-style-type: none">□ Check the main and branch circuit fuses or breakers.□ Check to make sure the wall switch is in the on position if applicable.□ Check the line wire connections to the fan and switch wire connections in the switch housing.□ Check the battery in the transmitter.□ Ensure you are in the normal range of 10-20 feet.□ Ensure the dip switch settings are the same on the transmitter and receiver.□ Remember to turn off the power supply before checking the dip switch settings.
The fan is noisy.	<ul style="list-style-type: none">□ Ensure all motor housing screws are snug.□ Ensure the screws that attach the fan blade bracket to the motor hub are tight.□ Ensure the wire nut connections are not rattling against each other or the interior wall of the switch housing.□ Allow a 24-hour "breaking in" period. Most noises associated with a new fan disappear during this time.□ If you are using the ceiling fan light kit, ensure the screws securing the glassware are tight. Check that the light bulbs are also secure.□ Ensure the canopy is a short distance from the ceiling. It should not touch the ceiling.□ Ensure your outlet box is secure and rubber isolator pads were used between the mounting bracket and outlet box.
The fan wobbles.	<ul style="list-style-type: none">□ Check that all blade and blade arm screws are secure.□ Most fan wobble problems are caused when blade levels are unequal. Check this level by selecting a point on the ceiling above the tip of one of the blades. Measure from a point on the center of each blade to the point on the ceiling. Rotate the fan until the next blade is positioned for measurement. Repeat for each blade. Any measurement deviation should be within 1/8". Run the fan for ten minutes. If the fan continues to wobble, please contact Customer Service and a balancing kit will be sent to you at no charge.

HOME
DECORATORS
COLLECTION®

Questions, problems, missing parts? Before returning to the store,
call Home Depot Customer Service
8 a.m. - 7 p.m., EST, Monday-Friday, 9 a.m. - 6 p.m., EST, Saturday.

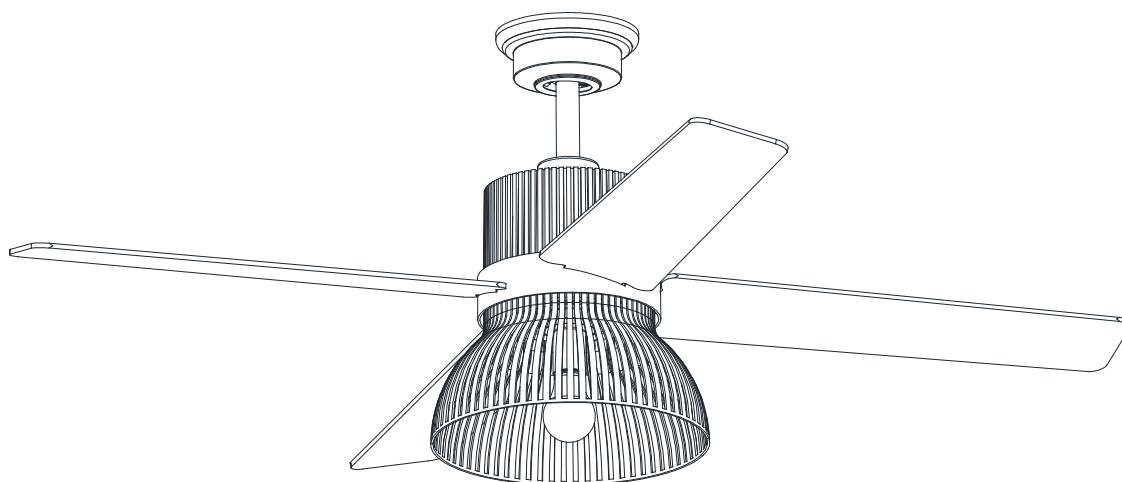
1-800-986-3460

[HOMEDEPOT.COM/HOMEDECORATORS](https://www.homedepot.com/homedecorators)

Retain this manual for future use.

GUÍA DE USO Y MANTENIMIENTO

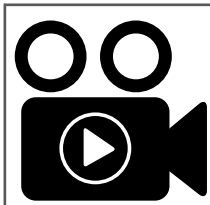
VENTILADOR DE TECHO SAVANNAH, DE 1.3 M (52 PLG)



¿Preguntas, problemas, piezas faltantes? Antes de devolver a la tienda, llama al servicio al cliente de Home Decorators Collection, de lunes a viernes, entre 8:00 a.m. y 7:00 p.m. (hora del Este), y los sábados de 9:00 a.m. a 6:00 p.m. (hora del Este).

1-800-986-3460

HOMEDEPOT.COM/HOMEDECORATORS



Para ver un video instructivo sobre cómo instalar este producto:

1. Visita www.homedepot.com e ingresa, en el campo de búsqueda, el número de artículo o modelo que aparece en la esquina superior derecha de la portada de este manual de instrucciones.
2. Haz clic sobre tu producto, en la lista de resultados de la búsqueda, y sobre el enlace de video en la sección "Product Overview" (Información General del Producto).

GRACIAS

Apreciamos la plena confianza depositada en Home Decorators Collection al comprar este ventilador de techo. Nos esforzamos en crear continuamente productos de calidad diseñados para mejoras del hogar. Visítanos por Internet para ver nuestra línea completa de productos disponibles a fin de satisfacer la necesidades de mejoras de tu hogar. ¡Gracias por elegir Home Decorators Collection!

Tabla de contenido

Tabla de contenido	2	Ensamblaje.....	7
Información de seguridad.....	2	Funcionamiento	13
Garantía.....	3	Mantenimiento y limpieza.....	14
Preinstalación	3	Solución de problemas	14
Instalación.....	6		

Información de seguridad

LEE Y GUARDA ESTAS INSTRUCCIONES.

1. Para disminuir el riesgo de descarga eléctrica, asegúrate de cortar la electricidad en el cortacircuitos o en la caja de fusibles antes de comenzar.
2. Todo el cableado tiene que cumplir con el Código Nacional de Electricidad ANSI/NFPA 70 y con los códigos eléctricos locales. La instalación eléctrica debe hacerse por un electricista calificado con licencia.
3. La caja eléctrica y estructura de soporte tienen que montarse de forma segura para poder sostener con confianza 35 lb (15.9 kg). Use solo cajas eléctricas aprobadas por UL y marcadas como "apropiadas para sostener ventiladores de 35 lb (15.9 kg) o menos".
4. CUIDADO: El ventilador debe ir montado con un mínimo de 7 pies (2.1 m) de separación entre el borde trasero de las aspas y el piso.
5. No uses el interruptor de reversa mientras las aspas del ventilador estén en movimiento. Tienes que apagar el ventilador y detener las aspas antes de invertir su dirección de giro.
6. No coloques objetos en la trayectoria de las aspas.
7. Para evitar lesiones personales o daños al ventilador y a otros objetos, ten cuidado al limpiarlo o al trabajar cerca de él.
8. Los diagramas eléctricos son solo para referencia. Los kits de luces que no vienen en la caja del ventilador tienen que estar aprobados por UL y marcados como apropiados para usar con el modelo de ventilador que estás instalando. Los interruptores deben ser interruptores UL de uso general. Para ensamblar bien, consulta las instrucciones adjuntas a los kits de luces e interruptores.
9. Después de concluir las conexiones eléctricas, debes voltear los conductores empalmados hacia arriba y meterlos con cuidado en la caja eléctrica. Los cables deben estar separados con el cable a tierra y el conductor a tierra del equipo a un lado de la caja eléctrica.
10. Antes de la instalación, todos los tornillos de fijación tienen que comprobarse y reajustarse donde sea necesario.



ADVERTENCIA: Para reducir el riesgo de lesiones no dobles los soportes de las aspas (también llamados bridas) durante el ensamblaje o después de la instalación. No coloques objetos en la trayectoria de las aspas.



ADVERTENCIA: Para evitar una posible descarga eléctrica, desconecta la electricidad en la caja principal de fusibles antes cablear. Si crees que no tienes suficiente experiencia o conocimientos en cableado eléctrico, contacta a un electricista con licencia.



ADVERTENCIA: Los diagramas eléctricos son sólo para referencia. Cualquier juego de luces opcional debe estar aprobado por UL y debe estar marcado como adecuado para ser usado con este ventilador.



ADVERTENCIA: Para reducir el riesgo de incendio o descarga eléctrica, este ventilador solo debe usarse con el control de velocidad de ventilador con número de pieza AP-3RDL fabricado por DAWNSUN ELECTRONIC TECHNOLOGY CO., LTD. ZHONGSHAN.



ADVERTENCIA: A fin de reducir el riesgo de descargas eléctricas, este ventilador tiene que instalarse con un interruptor de pared con aislamiento.



PRECAUCIÓN: Para reducir el riesgo de lesiones usa sólo los tornillos incluidos con la caja eléctrica.



PRECAUCIÓN: Los cambios o modificaciones sin previa aprobación expresa de parte responsable de su cumplimiento podrían anular el derecho del usuario a operar el equipo.



PRECAUCIÓN: NO usar este ventilador con control de pared ni con interruptor provisto de regulador de intensidad luminosa. Usar un control de pared o un interruptor con regulador de intensidad luminosa dañará este ventilador.

Este equipo fue sometido a prueba y se determinó que cumple con los límites establecidos para un dispositivo digital Clase B según la Parte 15 de las Normas FCC. Estos límites fueron establecidos para dar protección razonable contra la interferencia dañina en uso residencial. Este equipo genera, consume y puede irradiar energía de radiofrecuencia; si no se instala y usa de acuerdo con las instrucciones, puede causar interferencia nociva a comunicaciones radiales. Sin embargo, no hay garantía de que no ocurrirá interferencia en cierta instalación particular. Si este equipo causa interferencia perjudicial a la recepción de radio o televisión, que puede determinarse encendiendo y apagando el equipo, se exhorta al usuario a tratar de corregir la interferencia mediante una o más de las siguientes medidas:

- Reorientar o reubicar la antena receptora.
- Incrementar la distancia entre el equipo y el receptor.
- Conectar el equipo a un tomacorriente de circuito distinto al que el receptor esté conectado.
- Consultar al distribuidor o algún técnico de radio/TV con experiencia.



PRECAUCIÓN: Los cambios o modificaciones sin aprobación expresa del responsable de este dispositivo podrían anular el derecho del usuario a operar el equipo. Este dispositivo cumple con la Parte 15 de las Normas FCC. Su operación está sujeta a las dos condiciones siguientes: (1) Este dispositivo no debe causar interferencia dañina y (2) tiene que aceptar cualquier interferencia recibida, incluyendo aquella que pudiera afectar su funcionamiento.

Garantía

El proveedor garantiza de por vida que el motor del ventilador no presenta defectos de fabricación ni de materiales al momento del envío desde la fábrica hasta después de la fecha de adquisición por el comprador original. El proveedor garantiza, por un período de cinco años a partir de la fecha de adquisición por el comprador original, que el kit de luces, sin incluir ningún vidrio, no presentará ningún defecto de fabricación o de material desde el momento de su salida de la fábrica. El proveedor también garantiza, por dos años a partir de la fecha de adquisición por el comprador original, que ninguna de las piezas del ventilador, excluyendo las aspas o vidrio, presenta defectos de fabricación ni de materiales al momento del envío desde la fábrica. Si el producto es devuelto, aceptamos reparar sus defectos sin cargo alguno o, a nuestra entera discreción, reemplazarlo con un modelo similar o superior. Para obtener el servicio de garantía tiene que presentarse una copia del recibo como comprobante de compra. Todos los costos de retiro y reinstalación del producto son responsabilidad del cliente. Los daños a cualquier pieza por accidente, instalación o uso inadecuado, o por montar cualquier accesorio, no están cubiertos por esta garantía. Puesto que las condiciones climáticas pueden variar, esta garantía no cubre ningún cambio del acabado en latón, como óxido, perforación, corrosión, manchas o descascaramiento. Este tipo de acabados en latón tiene una vida útil prolongada si se lo protege contra las condiciones climáticas cambiantes. Es normal que se produzca un cierto movimiento oscilante y esto no debe considerarse un defecto. Cualquier servicio prestado por personal no autorizado invalidará la garantía. No hay ninguna otra garantía expresa. Por este medio Home Decorators Collection se exime de toda garantía, incluyendo, pero sin limitarse a, aquellas de comercialización e idoneidad para un fin particular, en el alcance permitido por la ley. La duración de cualquier garantía implícita que no pueda exonerarse se limita al período especificado en la garantía explícita. Algunos estados no permiten limitaciones sobre la duración de las garantías implícitas, así que es posible que la limitación anterior no se aplique en su caso. El minorista no será responsable por daños incidentales, emergentes ni especiales derivados del uso o funcionamiento del producto, excepto en los casos en los que la ley así lo disponga. Algunos estados no permiten excluir ni limitar daños directos o indirectos, así que es posible que la limitación o exclusión anterior no se aplique en este caso. Esta garantía otorga derechos legales especiales al cliente y es posible que también goce de otros derechos que pueden variar según el estado. Esta garantía sustituye a todas las garantías anteriores. Los costos de envío en cualquier devolución de productos como parte de una reclamación de garantía corren por cuenta del cliente.

Comuníquese con el Equipo de Servicio al Cliente llamando al 1-800-986-3460, o visite HOMEDEPOT.COM/HOMEDECORATORS.

Preinstalación

ESPECIFICACIONES

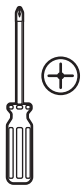
Tamaño	Velocidad	Voltios	Amperios	Vatios	RPM	CFM (pies cúbicos por minuto)	Peso Neto	Peso Bruto	Pies cúbicos
1.32 m	Baja	120	0.22	12	70	2759	15.8 lb (7.2 kg)	22.05 lb (10 kg)	2.19 pies ³
	Media		0.35	30	120	4171			
	Alta		0.49	59	180	5897			



NOTA: Estas medidas son aproximadas. No incluyen ni el amperaje ni el vataje consumido por el kit de luces.



HERRAMIENTAS NECESARIAS



Destornillador
Phillips



Destornillador
de cabeza
plana



Llave
ajustable



Cinta de
electricista



Cortacables



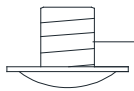
Escalera de tijera

Preinstalación (continuación)

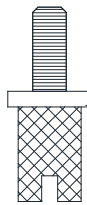
HERRAJES INCLUIDOS



NOTA: Los herrajes no se muestran en tamaño real.



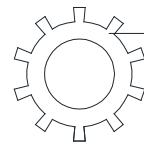
AA



BB



CC

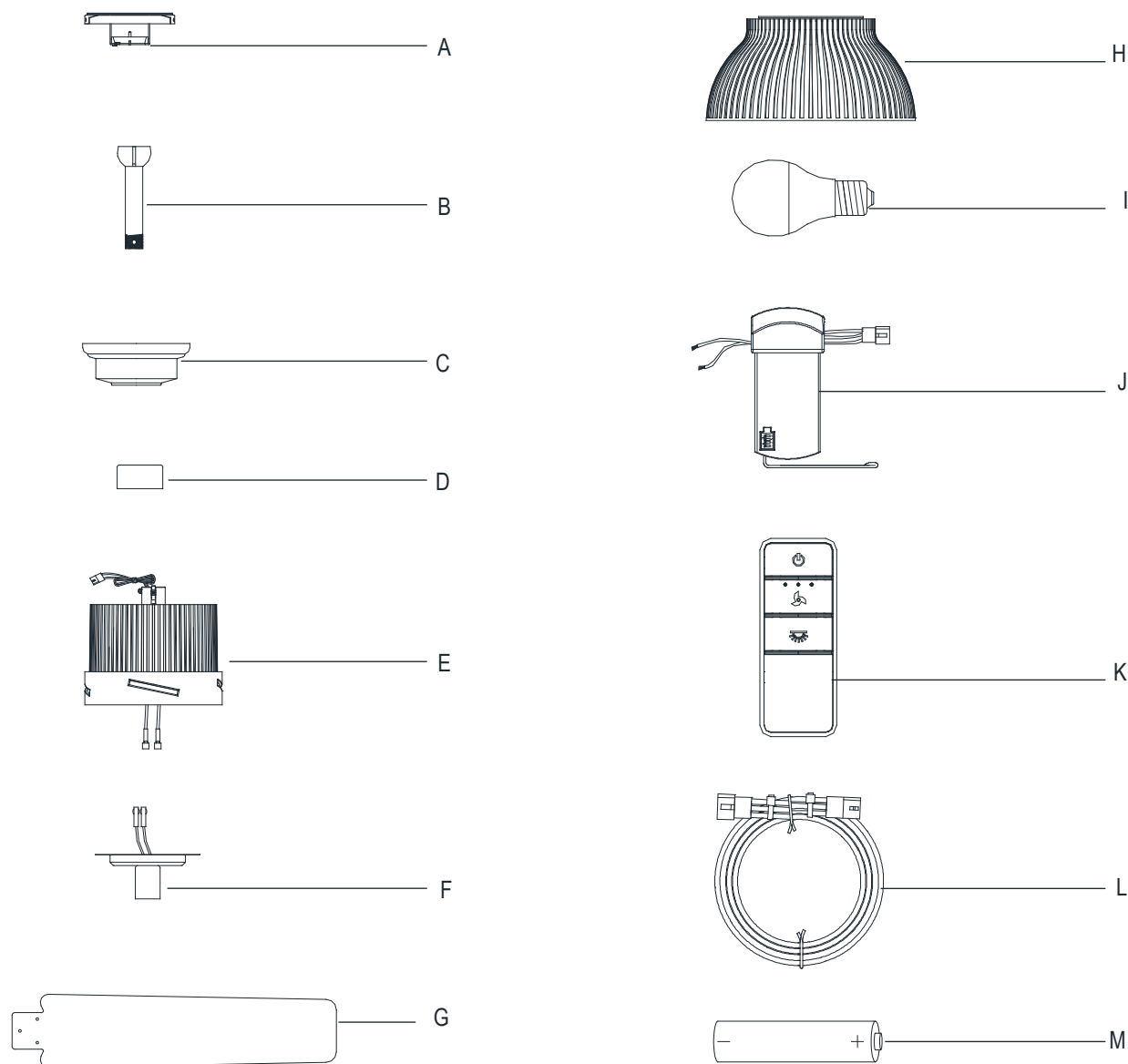


DD

Pieza	Descripción	Cantidad
AA	Tornillos de aspas	13
BB	Tornillo de ajuste manual	3
CC	Conector plástico para cables	3
DD	Arandelas	3

Preinstalación (continuación)

CONTENIDO DEL PAQUETE



Pieza	Descripción	Cantidad
A	Soporte de montaje deslizante (dentro de la cubierta)	1
B	Conjunto de tubo bajante/esfera	1
C	Cubierta	1
D	Cubierta decorativa del collarín del motor	1
E	Conjunto motor-ventilador	1
F	Ensamblaje del kit de luces	1
G	Aspa	4

Pieza	Descripción	Cantidad
H	Carcasa decorativa	1
I	Bombilla	1
J	Receptor	1
K	Control remoto	1
L	Extensión de cable terminal	1
M	Batería	1



IMPORTANTE: Este producto o sus componentes están protegidos por una o más de las siguientes patentes de los EE. UU.: 5,947,436; 5,988,580; 6,010,110; 6,046,416; 6,210,117, así como otras patentes pendientes.

Instalación

OPCIONES DE MONTAJE

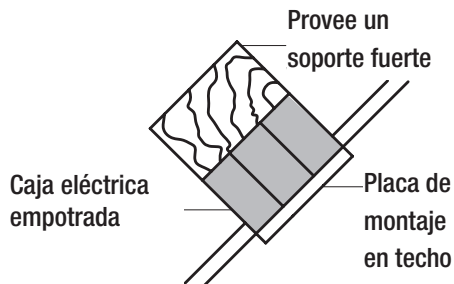
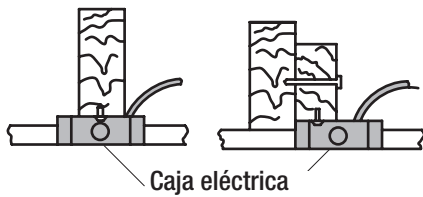
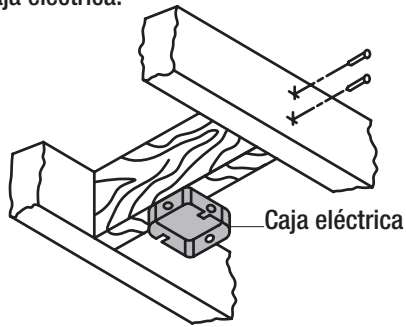


ADVERTENCIA: Para reducir el riesgo de incendio, descarga eléctrica o lesiones personales, instala en una caja eléctrica clasificada como "Apropiada para sostener ventiladores de 35 lb (15.9 kg) o menos" y usa los tornillos que vienen con ella. Las cajas eléctricas que suelen utilizarse para el soporte de lámparas pudieran no servir como soporte del ventilador y tal vez deban reemplazarse. En caso de duda, consulta a un electricista calificado.

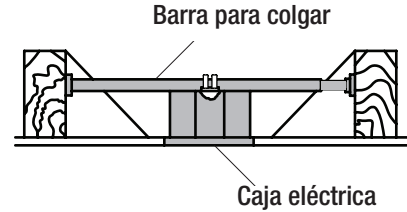
Si tu ventilador de techo no tiene una caja de montaje aprobada por UL, instala una conforme a las instrucciones siguientes:

- ❑ Desconecta la energía retirando los fusibles o apagando los cortacircuitos.
- ❑ Asegura la caja eléctrica directamente a la estructura de la edificación. Usa sujetadores y materiales apropiados. La caja eléctrica y su soporte tienen que ser aptos para sostener completamente el peso en movimiento del ventilador (al menos 35 lb = 15.9 kg). No uses una caja eléctrica de plástico.

Las ilustraciones a continuación muestran tres formas distintas de montar la caja eléctrica.



NOTA: Tal vez necesites un tubo bajante más largo para mantener la altura mínima adecuada de las aspas al instalar el ventilador en un techo inclinado. El ángulo máximo permitido es 20° desde la línea horizontal.



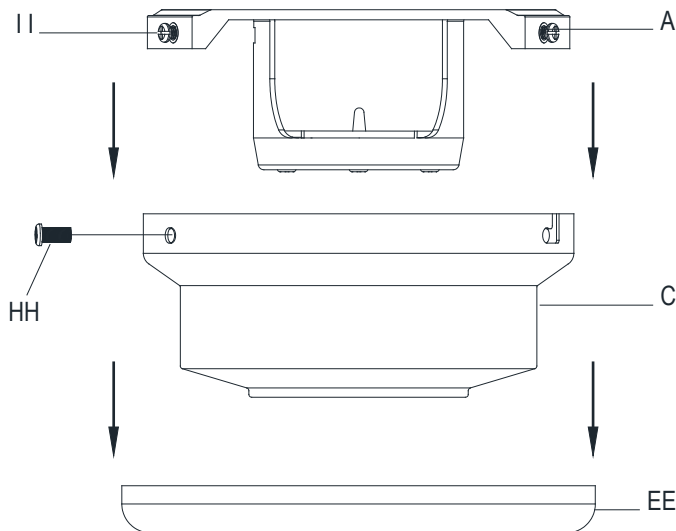
Si la cubierta (C) toca el conjunto del tubo bajante/esfera (B), retira la tapa inferior decorativa de la cubierta y gira 180° esta última (C) antes de fijarla a la placa de montaje.

Para colgar el ventilador donde ya hay una lámpara, pero ninguna viga de techo, tal vez necesites una barra de instalación colgante como se muestra arriba (disponible en cualquier tienda de The Home Depot).

Ensamblaje - Montaje estándar en techo

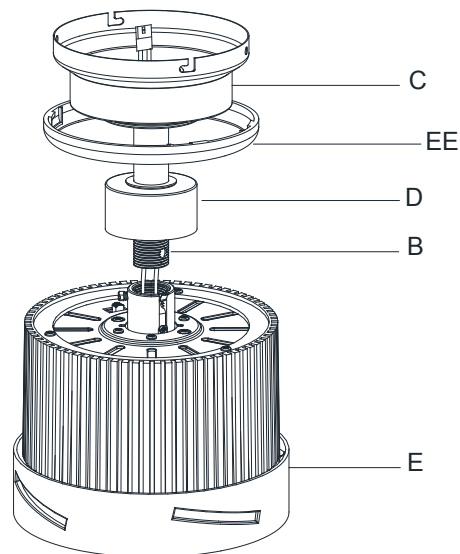
1 Preparación para el montaje estándar

- Retira el aro de la cubierta (EE) girándolo hacia la izquierda hasta liberarlo.
- Retira el soporte de montaje (A) de la cubierta (C) aflojando los dos tornillos de la cubierta (II) ubicados en las ranuras en forma de L.
- Quita y guarda los dos tornillos de la cubierta (HH) en los orificios redondos. Esto te permitirá retirar el soporte de montaje (A).



2 Cómo tender los cables

- Pasa los cables que salen por la parte superior del conjunto motor-ventilador (E) a través de la cubierta decorativa del collarín del motor (D) y enseguida a través del centro del aro del borde de la cubierta (EE).
- Asegúrate de que la abertura de la cubierta (C) esté sobre la parte superior e inserta el tubo bajante/esfera (B) a través de la cubierta (C).
- Inserta los cables que salen por la parte superior del conjunto del motor-ventilador (E) a través del tubo bajante (B) como se muestra.



3 Cómo ensamblar el ventilador

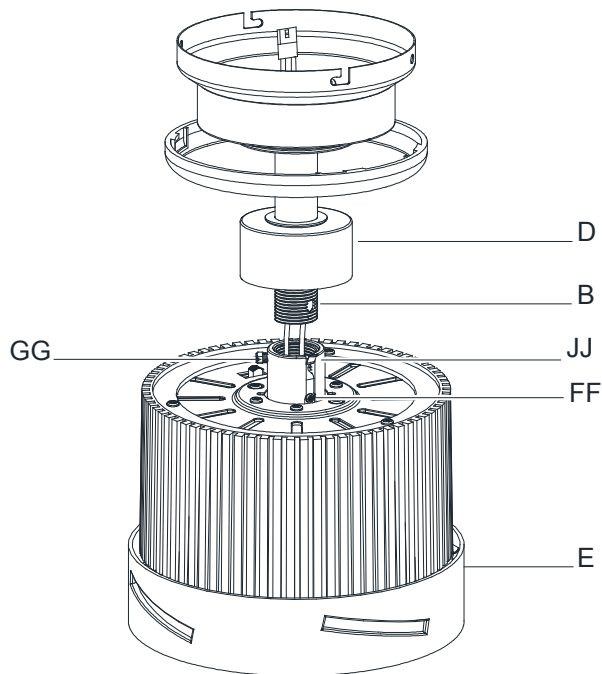


PRECAUCIÓN: Para asegurarte de que no hay oscilación y evitar daños al ventilador, el tubo bajante (B) y el tornillo del fijación (GG) tienen que quedar completamente ajustados.



NOTA: Este ventilador está equipado con una pestaña de seguridad (JJ). Si el tornillo de fijación (GG) se afloja mientras el ventilador está funcionando en reversa, la pestaña de seguridad (JJ) se enganchará y evitará que el ventilador caiga.

- Afloja, sin quitar, los dos tornillos de fijación (GG) en el collarín sobre la parte superior del conjunto ensamblado motor-ventilador (E).
- Instala el tubo bajante (B) insertándolo en el collarín del motor (FF) y girándolo hacia la derecha hasta que quede apretado.
- Vuelve a apretar los tornillos de fijación (GG) en el collarín sobre la parte superior del conjunto ensamblado motor-ventilador (E).



Ensamblaje - Cómo colgar el ventilador

1 Cómo fijar el ventilador a la caja eléctrica

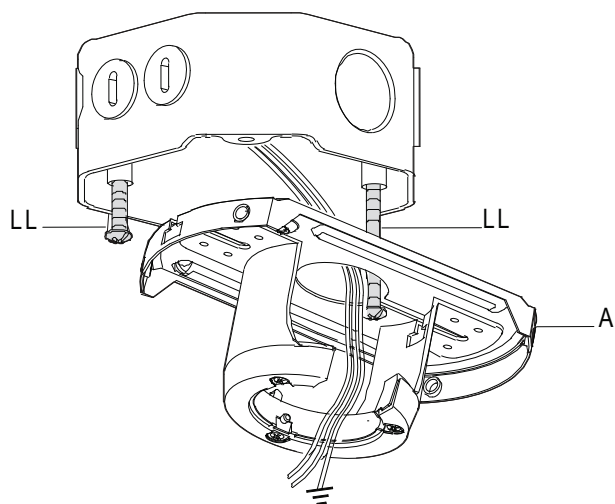


ADVERTENCIA: Para reducir el riesgo de incendio, descarga eléctrica o lesiones personales, instala sólo en una caja eléctrica o sistema de soporte marcado como "Apropiado para sostener ventiladores de 35 lb (15.9 kg) o menos", y usa sólo los tornillos de montaje incluidos con la caja eléctrica.



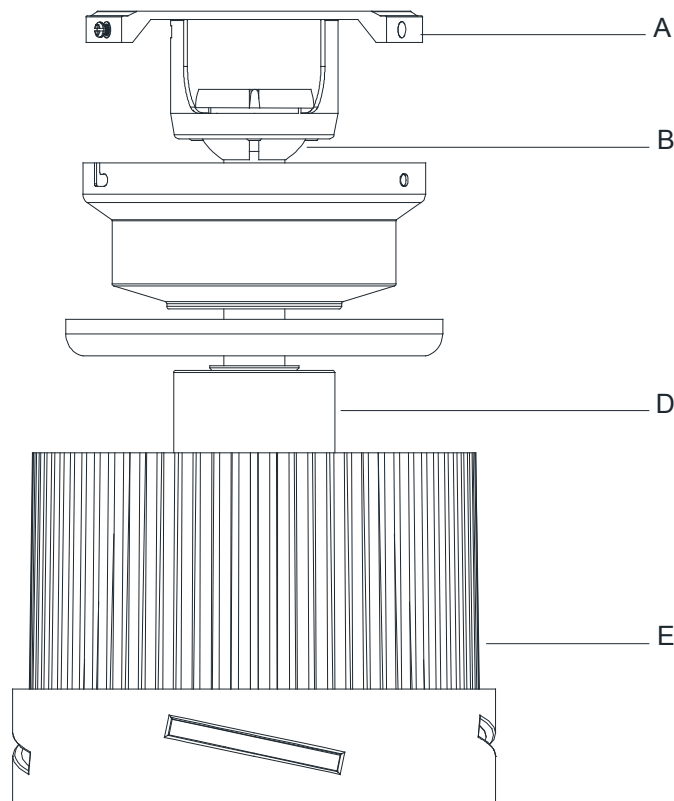
NOTA: El soporte de montaje (A) está diseñado para ser deslizado sobre una caja eléctrica con los tornillos de la caja eléctrica (LL) ya instalados.

- Pasa los cables de suministro de 120 V a través del orificio central en el soporte de montaje deslizable (A).
- Instala el soporte de montaje deslizable (A) de techo sobre la caja eléctrica, deslizándolo (A) sobre los dos tornillos (LL) suministrados con la caja eléctrica. Si es necesario, usa arandelas niveladoras (no se incluyen) entre el soporte de montaje deslizable (A) y la caja eléctrica. Ten en cuenta que el lado plano del soporte de montaje deslizable (A) apunta hacia la caja eléctrica.
- Ajusta firmemente los dos tornillos de montaje (LL).



2 Cómo colgar el ventilador

- Hay que levantar con cuidado el conjunto motor-ventilador (E) hasta el soporte de montaje deslizable (A).
- Coloca la bola de soporte del ensamblaje del tubo bajante/esfera (B) en el soporte de montaje. Asegúrate de que la pestaña en el casquillo del soporte de montaje deslizable (A) encaje bien dentro de la ranura de la esfera de soporte del conjunto tubo bajante/esfera (B).



Ensamblaje - Cómo colgar el ventilador (continuación)

3 Cómo configurar el código del control remoto y el receptor



NOTA: Las frecuencias del receptor y de la unidad de mano han sido preconfiguradas en la fábrica. Antes de instalar el receptor, asegúrate de que los interruptores en línea del receptor y de la unidad de mano estén configurados en la misma frecuencia. Los interruptores en línea en la unidad de mano están ubicados dentro del compartimiento de la batería.

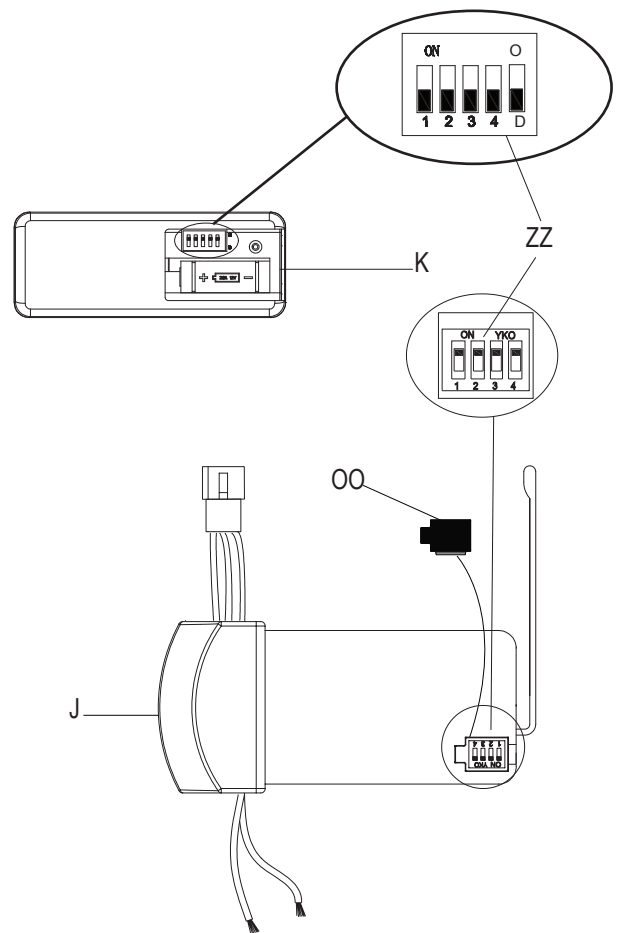


NOTA: El interruptor marcado con "O/D" controla la función de regular la intensidad de las luces. Si usas bombillas no regulables, emplea un bolígrafo de punta redonda o un destornillador pequeño para fijar el interruptor en la posición "O" a fin de desactivar la función de regulación de intensidad. Si usas bombillas regulables, configura el interruptor en la posición "D" para activar la función de regulación de intensidad.



NOTA: La batería se debilitará con el tiempo y deberá ser reemplazada antes de que se produzca alguna fuga, ya que esto dañará la unidad de mano. Desecha la batería adecuadamente y mantenla fuera del alcance de los niños.

- ❑ Quita la cubierta de la batería del control remoto (K) presionando con firmeza sobre la flecha y deslizando la cubierta hasta soltarla.
- ❑ Desliza los interruptores en línea (ZZ) hacia arriba o abajo según prefieras. La configuración de fábrica es hacia arriba.
- ❑ Desliza los interruptores en línea (ZZ) del receptor (J) hacia la misma posición fijada para el control remoto (K).
- ❑ Instala las baterías de 23 A / 12 V (incluidas).
- ❑ Coloca de nuevo la cubierta de la batería en el control remoto (K).
- ❑ Inserta el tapón de goma de silicona (OO) en el orificio del receptor (J) para cubrir los interruptores.



4 Cómo instalar el receptor

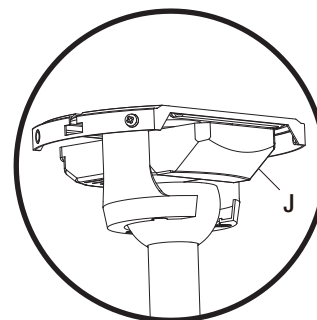


ADVERTENCIA: Para reducir el riesgo de incendio o de descarga eléctrica, recuerda desconectar la electricidad. El cableado eléctrico tiene que cumplir todos los requisitos de los códigos eléctricos nacionales y locales. La fuente de energía y el ventilador tienen que ser de 110/120 V y 60 Hz. No utilizar este producto con ningún control variable de pared. Conectar el cableado de manera incorrecta dañará este receptor.

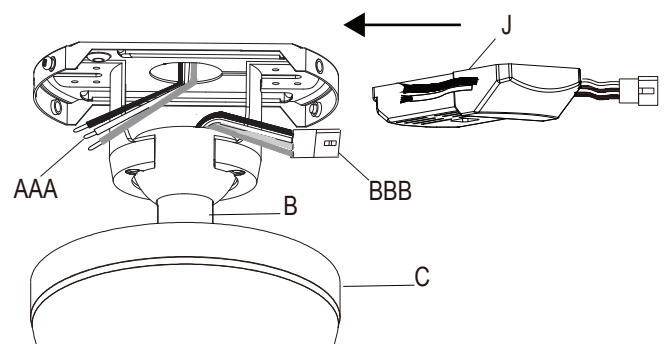


PRECAUCIÓN: Si otros cables del ventilador son de color diferente, un electricista certificado deberá instalar esta unidad.

- ❑ Ubica los cables de suministro doméstico (AAA) a un lado del soporte de montaje deslizante (A) y coloca los cables del ventilador (BBB) en el lado opuesto.
- ❑ Inserta el extremo angosto del receptor (J) (como se muestra, con el lado plano hacia el techo) en el soporte de montaje deslizante (A) hasta dejarlo apoyado en la parte superior del conjunto tubo bajante/esfera (B).



Receptor (J) correctamente colocado en el soporte de montaje.



Ensamblaje - Cómo colgar el ventilador (continuación)

5 Cómo cablear el receptor al cableado del hogar



ADVERTENCIA: Para evitar una posible descarga eléctrica, desconecta la electricidad en la caja principal de fusibles antes cablear. Si crees que no tienes suficiente experiencia o conocimientos en cableado eléctrico, contacta a un electricista con licencia.

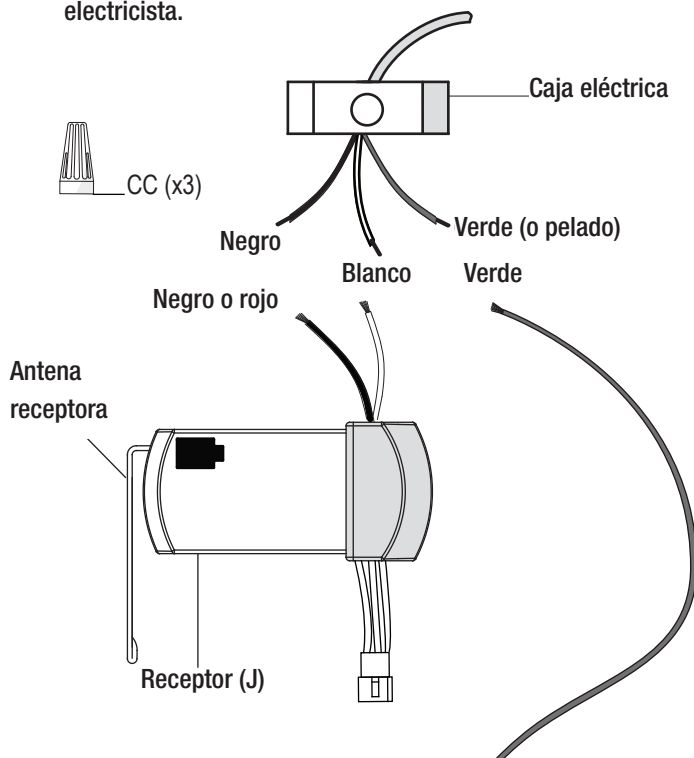


ADVERTENCIA: Cada tuerca para cable proporcionada con este ventilador está diseñada para aceptar cables domésticos de máximo calibre 12 y dos cables del ventilador. Si tienes un cableado doméstico de calibre superior a 12 o más de un cable doméstico para conectar el cableado del ventilador, consulta a un electricista para el tamaño adecuado de tuercas de cable.



IMPORTANTE: Usa las tuercas de conexión de cables (CC) incluidas con tu ventilador. Sujeta los conectores con cinta de electricista y asegúrate de que no haya conexiones ni cables sueltos.

- Separa los cables de manera que los cables verde y blanco queden de un lado de la caja eléctrica y el cable negro, del otro lado.
- Conecta los cables verdes del ventilador al cable con conexión a tierra de la casa (este puede ser verde o pelado) con una tuerca de conexión de cables (CC).
- Conecta el cable negro o rojo del receptor (J) al cable negro del hogar (positivo) usando una tuerca de conexión de cables (CC).
- Conecta el cable blanco del receptor (J) al cable blanco (neutro) del hogar con una tuerca de conexión de cables (CC).
- Asegura cada tuerca de conexión de cables con cinta de electricista.

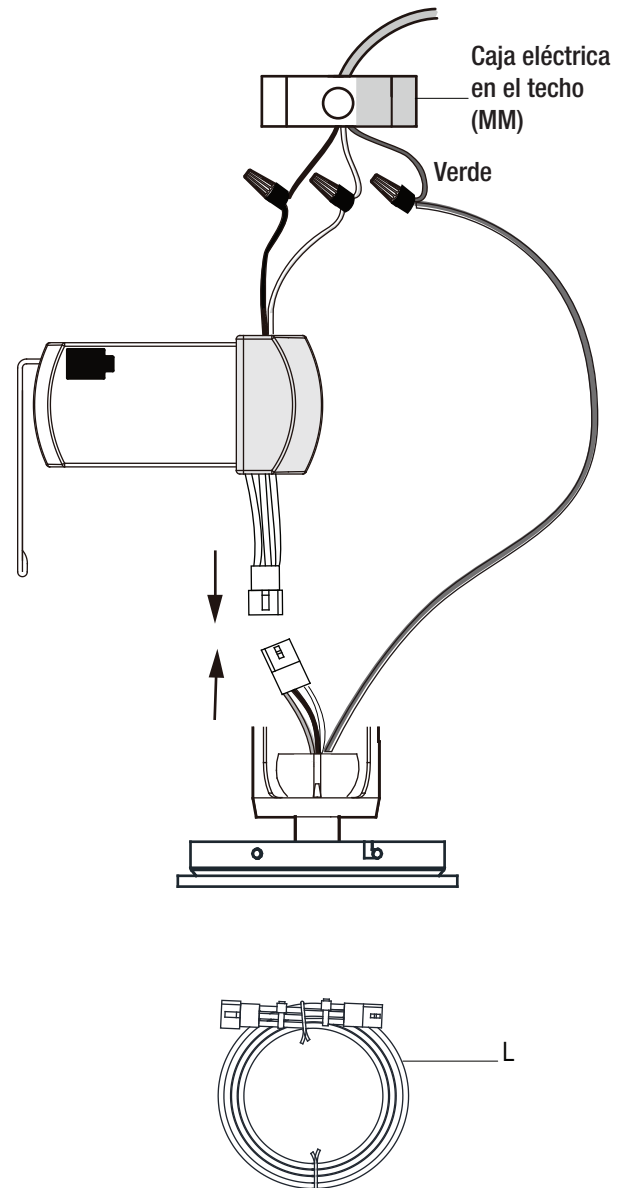


6 Cómo cablear el ventilador al receptor



NOTA: El ventilador viene con cables terminales de 12 plg (30.5 cm) para usar con el conjunto de tubo bajante/esfera (B) de 6 plg (15.24 cm) incluido. Si deseas un tubo bajante más largo, puedes usar la extensión de cable terminal (42 plg = 1.07 m) (L) incluida.

- Si usas el conjunto del tubo bajante/esfera (B) de 6 plg (15.2 cm) incluido, conecta los cables del receptor a los cables del ventilador uniendo el enchufe del adaptador moldeado del receptor (J) con el adaptador moldeado del conjunto motor-ventilador (E).
- Si deseas un tubo bajante más largo, puedes usar la extensión de cable terminal (42 plg = 1.07 m) (L) incluida conectando el adaptador moldeado.



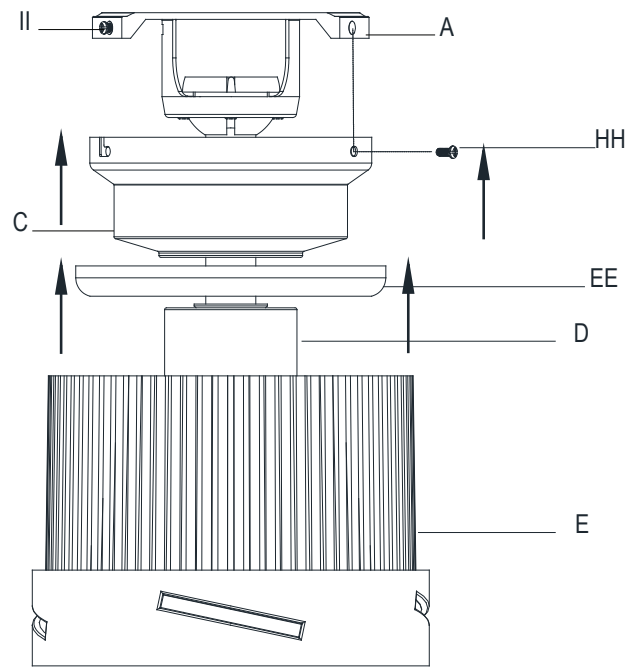
Ensamblaje - Cómo colgar el ventilador (continuación)

7 Cómo montar el conjunto motor-ventilador (montaje estándar)



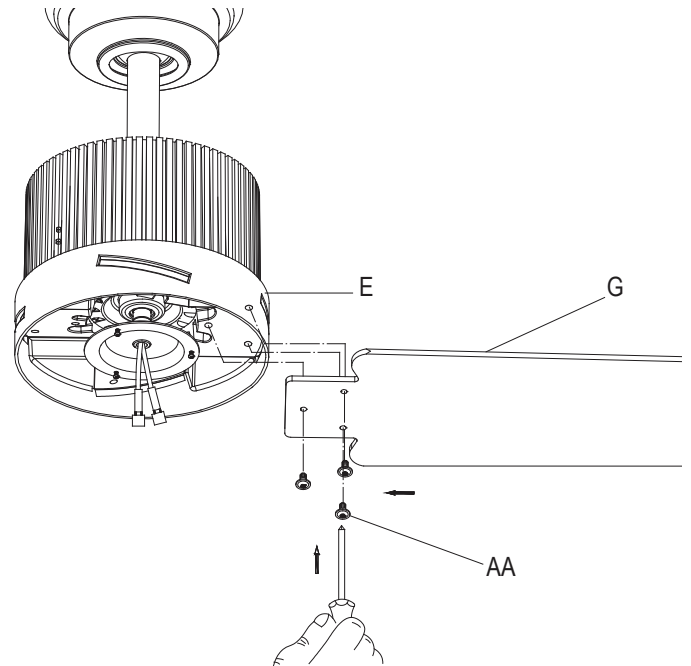
ADVERTENCIA: Cuando uses el montaje de tubo bajante-esfera estándar, la pestaña en el aro en la parte inferior del soporte de montaje tiene que encajar en la ranura de la esfera de soporte. Si la pestaña no se asienta correctamente en la ranura, se puede dañar el cableado.

- Alinea las ranuras de cierre de la cubierta (C) con los dos tornillos (II) del soporte de montaje (A). Empuja hacia arriba para enganchar las ranuras y gira de izquierda a derecha para asegurarlas en su lugar.
- Ajusta bien los dos tornillos de montaje (II).
- Instala los dos tornillos de la cubierta (HH) (guardados en el Paso 1 del Ensamblaje: "Preparación para el montaje estándar") en sus orificios correspondientes (C) y apriete firmemente.
- Instala el aro de cubierta decorativa (EE) alineando las ranuras del aro con los tornillos en la cubierta (C). Gira el aro hacia la derecha para fijarlo en su lugar.



8 Cómo instalar las aspas

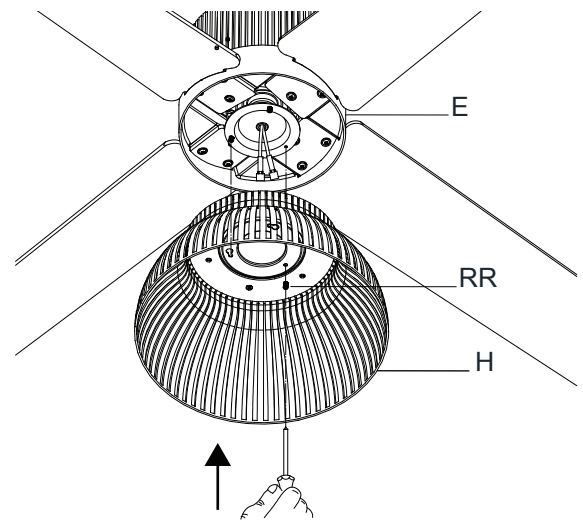
- Fija un aspa (G) al conjunto motor -ventilador (E) insertándola (G) dentro de las ranuras del costado de este (E) y alineando los tres orificios de tornillo en el aspa con los orificios en el volante central para asegurarlos con tornillos (AA).
- Comprueba que todos los tornillos estén firmemente apretados.
- Repite estos pasos para ensamblar las aspas restantes.



Ensamblaje - Cómo montar la luz

1 Cómo instalar la carcasa decorativa

- ❑ Quita un tornillo (RR) del soporte negro debajo del conjunto motor-ventilador (E) y afloja los otros dos, pero sin quitarlos.
- ❑ Empuja hacia arriba la carcasa decorativa (H) hasta el soporte negro, de manera que las cabezas de los dos tornillos aflojados encajen en las ranuras tipo ojo de cerradura. Gira la carcasa decorativa (H) hacia la derecha para asegurarla.
- ❑ Reinstala el tornillo (RR) retirado en el paso 1.
- ❑ Comprueba que todos los tornillos estén firmemente apretados.

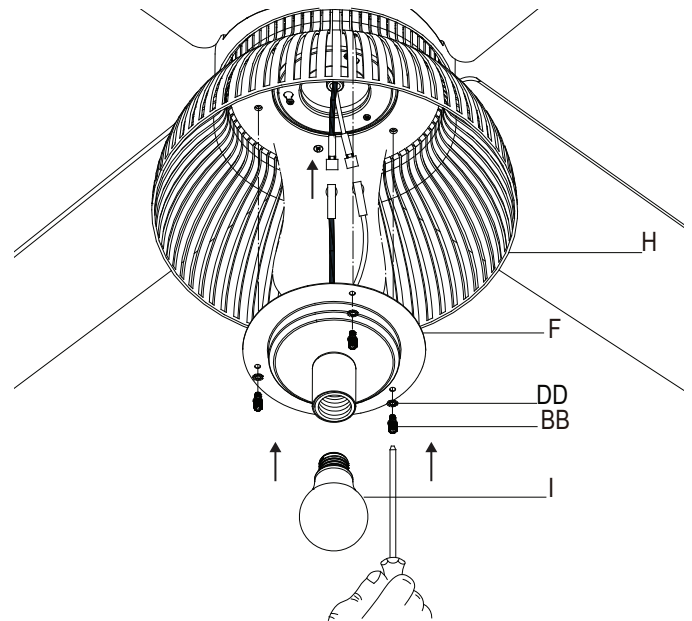


2 Cómo instalar el conjunto del soporte del kit de luces



PRECAUCIÓN: Para disminuir el riesgo de descarga eléctrica, desconecta el circuito de energía del ventilador antes de instalar la lámpara.

- ❑ Conecta los cables del conjunto de soporte del kit de luces (F) a los cables del conjunto motor-ventilador (E) conectando juntos los enchufes del adaptador moldeado (Azul a negro, blanco a blanco). Coloca con cuidado todos los cables y empalmes dentro de la caja del interruptor.
- ❑ Empuja el soporte del kit de luces (F) hacia la carcasa decorativa (H) y alinea el orificio redondo del soporte (F) con los orificios de la carcasa (H). Asegura el soporte del kit de luces (F) apretando los tres tornillos mariposa (BB) y arandelas (DD).
- ❑ Usa el destornillador para asegurar que todos los tornillos estén firmemente apretados.
- ❑ Con la electricidad apagada, instala la bombilla (I) enroscándola en su portabombillas.



Ensamblaje – Cómo montar los accesorios

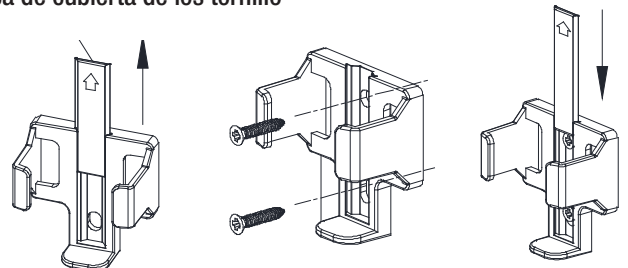
Cómo instalar el soporte del control remoto



NOTA: Se incluyen anclajes de pared con tornillos para soporte adicional. Los tornillos incluidos están diseñados para atornillarse fácilmente en la pared. Si deseas una sujeción más permanente o segura, instala los anclajes de pared antes de fijar el soporte de pared a la pared.

- ❑ Desliza la placa de la cubierta de los tornillos hacia arriba para quitarla del soporte de pared.
- ❑ Coloca el soporte de pared en la posición deseada y fíjalo a la pared con los tornillos del soporte de pared incluidos.
- ❑ Desliza la placa de la cubierta de los tornillos nuevamente sobre el soporte de pared para ocultar los tornillos.

Placa de cubierta de los tornillos



Cómo usar tu ventilador y control remoto

Control remoto - Tu ventilador está equipado con un control remoto que controla la velocidad y las luces.

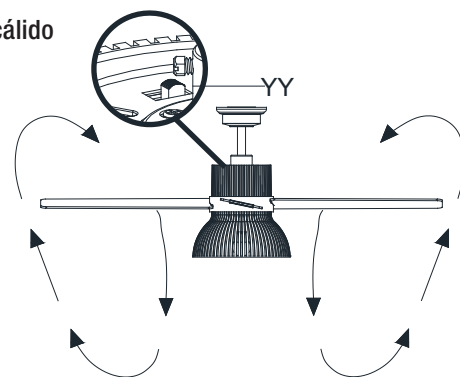
Las configuraciones de velocidad para clima cálido o frío dependen de factores como el tamaño de la habitación, la altura del techo, la cantidad de ventiladores y demás.

El ventilador se envía desde la fábrica con el interruptor de reversa (YY) colocado para hacer circular el aire hacia abajo. Si deseas dirigir la corriente de aire en sentido contrario, apaga el ventilador y espera que las aspas se detengan. Enseguida desliza el interruptor de reversa (ubicado sobre la carcasa del motor) en el sentido opuesto y vuelve a encender el ventilador. Las aspas del ventilador girarán en sentido contrario e invertirán el flujo del aire.

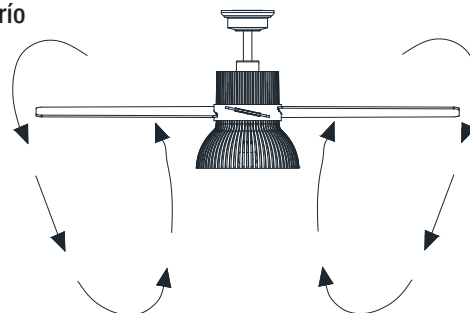
Clima cálido: (Hacia adelante) Un flujo de aire descendente surte un efecto refrescante. Esto permite fijar tu aire acondicionado en una configuración más alta sin afectar tu comodidad.

Clima frío: (Reversa) Un flujo de aire ascendente mueve el aire cálido del techo interior. Esto te permite fijar la unidad de calefacción en una configuración más baja sin afectar tu comodidad.








A. Clima cálido

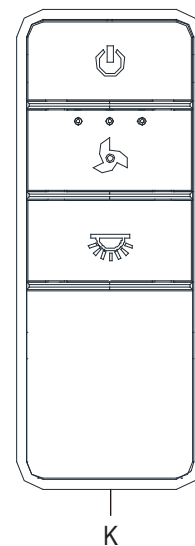


B. Clima frío



Cómo usar tu ventilador y el control remoto

- Encendido y apagado (ON/OFF):** Presiona y suelta el botón  para encender o apagar el ventilador y la luz.
- Velocidad del ventilador:** Las luces LED en el botón de velocidad del ventilador iluminarán la velocidad correspondiente.
 -  - Oprime y suelta 1 vez para encender el ventilador a velocidad alta.
 -  - Oprime y suelta 2 veces para encender el ventilador a velocidad media.
 -  - Oprime y suelta 3 veces para encender el ventilador a velocidad baja.
 -  - Oprime y suelta 4 veces para apagar el ventilador.
- Luz ON/OFF/Regulador de intensidad** - Presionar y suelta el botón  para encender (On) o apagar (Off) la luz.
Mantén presionado el botón  para activar la función de regulación de intensidad (siempre que NO hayas configurado previamente el interruptor O/D del control remoto en la posición "ON")



Cuidado y limpieza



ADVERTENCIA: Asegúrate de que la corriente esté cortada antes de limpiar el ventilador.

- Debido al movimiento natural del ventilador, algunas conexiones pueden aflojarse. Revisa dos veces al año las conexiones de soporte, los soportes y los accesorios de las aspas. Comprueba que estén seguros. No es necesario desmontar el ventilador del techo.
- Limpia el ventilador con frecuencia para que luzca como nuevo con el paso de los años. No uses agua al limpiar, esto puede dañar el motor o la madera, o causar descargas eléctricas. Usa solo un cepillo suave o un paño sin pelusas para evitar rayar el acabado. El revestimiento está sellado con laca para minimizar la decoloración u opacidad.
- Puedes aplicar a la madera una fina capa de pulimento para muebles y dar así más protección y belleza. Cubre los rayones diminutos con una ligera aplicación de lustrador para calzado.
- No necesitas lubricar tu ventilador. El motor tiene cojinetes de bola sellados y permanentemente lubricados.

Solución de problemas

Problema	Solución
El ventilador no enciende.	<ul style="list-style-type: none"><input type="checkbox"/> Verifica los fusibles o cortacircuitos principales y secundarios.<input type="checkbox"/> Asegúrate de que el interruptor de pared esté en posición de encendido (ON), si corresponde.<input type="checkbox"/> Verifica las conexiones de los cables al ventilador y las conexiones a la caja del interruptor.<input type="checkbox"/> Revisa la batería del transmisor.<input type="checkbox"/> Asegúrate de que estén en el rango normal de 10 a 20 pies.<input type="checkbox"/> Asegura que las configuraciones del interruptor en línea sean idénticas en el transmisor y en el receptor.<input type="checkbox"/> Recuerda desconectar la electricidad antes de verificar las configuraciones del interruptor.
El ventilador hace ruido.	<ul style="list-style-type: none"><input type="checkbox"/> Asegúrate de que todos los tornillos de la carcasa del motor estén ajustados.<input type="checkbox"/> Verifica que los tornillos que unen el soporte de aspa al cubo del motor estén bien apretados.<input type="checkbox"/> Asegura que las conexiones de tuerca de cable no choquen unas con otras ni con la pared interior de la caja del interruptor.<input type="checkbox"/> Deja que transcurra un período de “adaptación” de 24 horas. La mayoría de los ruidos asociados con un ventilador nuevo desaparecen en ese período.<input type="checkbox"/> Si usas el kit de luces de ventilador de techo, asegura que los tornillos que sujetan el vidrio estén bien ajustados. Verifica que las bombillas estén bien apretadas.<input type="checkbox"/> Controla que la cubierta quede a corta distancia del techo. No debe tocar el techo.<input type="checkbox"/> Asegúrate de que tu caja eléctrica esté bien segura y las almohadillas aislantes de goma se hayan instalado entre el soporte de montaje y la caja eléctrica.
El ventilador oscila.	<ul style="list-style-type: none"><input type="checkbox"/> Verifica que todas las aspas y los tornillos de sus brazos estén bien ajustados.<input type="checkbox"/> La mayoría de los problemas de oscilación del ventilador se debe a que las aspas no están al mismo nivel. Verifica este nivel seleccionando un punto en el techo sobre la punta de una de las aspas. Mide desde un punto en el centro de cada aspa al punto en el techo. Gira el ventilador hasta que la siguiente aspa quede en posición para medir. Repite el procedimiento para cada aspa. Las desviaciones de la medición no deben pasar de 1/8". Deja que el ventilador funcione durante diez minutos. Si continúa oscilando, comunícate con el servicio al cliente y te enviarán un kit de compensación de aspas sin costo alguno.

HOME
DECORATORS
COLLECTION®

¿Preguntas, problemas, piezas faltantes? Antes de devolver a la tienda, llama al Servicio al Cliente de Home Depot, de lunes a viernes, entre 8:00 a.m. y 7:00 p.m. (Hora del Este), y los sábados de 9:00 a.m. a 6:00 p.m. (Hora del Este).

1-800-986-3460

[HOMEDEPOT.COM/HOMEDECORATORS](https://www.homedepot.com/homedecorators)

Conserva este manual para uso futuro.