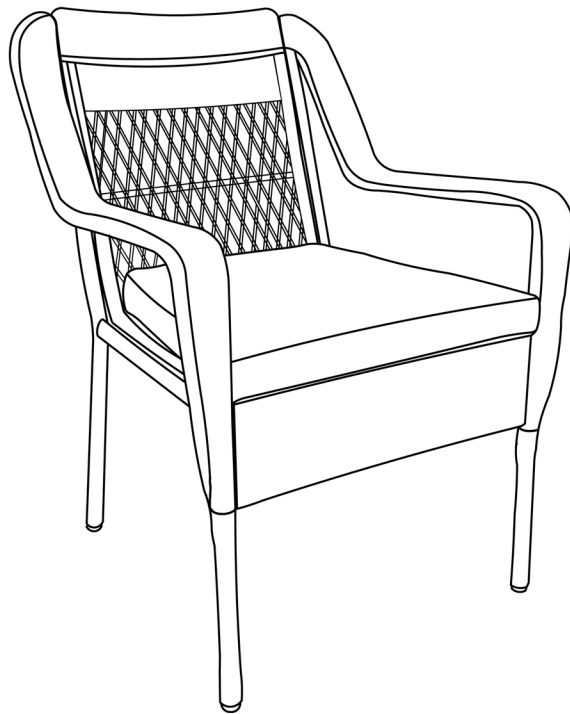


USE AND CARE GUIDE

Mix & Match Wicker Lounge Chair



Questions, problems, missing parts? Before returning to the store,
call Hampton Bay Customer Service
8 a.m. - 7 p.m., EST, Monday – Friday, 9 a.m. – 6 p.m., EST, Saturday

1-855-HD-HAMPTON

HAMPTONBAY.COM

THANK YOU

We appreciate the trust and confidence you have placed in Hampton Bay through the purchase of this set of 4. We strive to continually create quality products designed to enhance your home. Visit us online to see our full line of products available for your home improvement needs. Thank you for choosing Hampton Bay!


Table of Contents


Table of Contents 1
THD - TOC2 1
Safety Information 1
Warranty 2
What is covered..... 2
What is not covered 2

Pre-Installation..... 3
Hardware Included..... 2
Package Contents 3
Installation..... 4
Care & Cleaning 5

Important Safety Instructions

SAVE THESE INSTRUCTIONS


 **WARNING:** FUELS USED IN LIQUEFIED PROPANE GAS APPLIANCES, AND THE PRODUCTS OF COMBUSTION OF SUCH FUELS, CAN EXPOSE YOU TO CHEMICALS INCLUDING BENZENE, WHICH IS KNOWN TO THE STATE OF CALIFORNIA TO CAUSE CANCER AND CAUSE BIRTH DEFECTS OR OTHER REPRODUCTIVEHARM. For more information go to: www.P65Warnings.ca.gov.


 **WARNING:** FUELS USED IN WOOD OR CHARCOAL BURNING APPLIANCES, AND THE PRODUCTS OF COMBUSTION OF SUCH FUELS, CAN EXPOSE YOU TO CHEMICALS INCLUDING CARBON BLACK, WHICH IS KNOWN TO THE STATE OF CALIFORNIA TO CAUSE CANCER, AND CARBON MONOXIDE, WHICH IS KNOWN TO THE STATE OF CALIFORNIA TO CAUSE BIRTH DEFECTS OR OTHER REPRODUCTIVE HARM. For more information go to: www.P65Warnings.ca.gov.


READ ALL INSTRUCTIONS BEFORE USE


To reduce the risk of injury to persons:

1. Close supervision is necessary when this furnishing is used by or near children, or disabled persons, if applicable.
2. Use this furnishing only for its intended use as described in these instructions. Do not use attachments not recommended by the manufacturer.
3. Do not move the lounge chair while it is occupied. Failure to obey this caution could result injury.

 **DANGER:** THD Danger/Warning/Caution/Important/Note Text. [HelveticaNeueLT STD, 9pt.]

 **WARNING:** THD Danger/Warning/Caution/Important/Note Text. [HelveticaNeueLT STD, 9pt.]

 **CAUTION:** THD Danger/Warning/Caution/Important/Note Text. [HelveticaNeueLT STD, 9pt.]

 **IMPORTANT:** THD Danger/Warning/Caution/Important/Note Text. [HelveticaNeueLT STD, 9pt.]

SET UP YOUR FURNITURE PROPERLY

1. Ensure that all parts are assembled properly and fully tightened as per the instructions.
2. When placing in the desired location, ensure that all legs are resting on the same surface.


EXAMINE YOUR FURNITURE

Examine occasionally to ensure that there are no loose parts. If loose parts are found, they must be re-tightened fully before additional use.

OBERVE WEIGHT LIMITS

The weight limits for the following products are listed below:

- | | |
|--|---|
| <input type="checkbox"/> Chair: 300 lbs | <input type="checkbox"/> Sofa: 700 lbs |
| <input type="checkbox"/> Swivel Chair: 300 lbs | <input type="checkbox"/> Rocking Chair: 300 lbs |
| <input type="checkbox"/> Loveseat: 500 lbs | <input type="checkbox"/> Chaise Lounge: 300 lbs |
| <input type="checkbox"/> Ottoman: 150 lbs | <input type="checkbox"/> Dining Table: 100 lbs |
| <input type="checkbox"/> Table: 50 lbs | <input type="checkbox"/> Dining Chair: 200 lbs |

 **CAUTION:** If you overload your furniture, injuries can occur.

Warranty

TWO YEAR FRAME, WEAVE AND FABRIC LIMITED WARRANTY

WHAT IS COVERED

We warrant the frame, weave and fabric to be free of manufacturing defects to the original purchaser for two years. For glass table top we warrant 30 days from the date of purchase.

WHAT IS NOT COVERED

This warranty does not cover commercial use, hardware, acts of nature, fire, freezing and abusive use. In addition, purchased parts are not covered under this warranty.

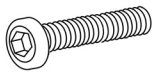
We reserve the right to make substitutions with similar merchandise, if the model in question is no longer in production. Contact the Customer Service Team at 1-855-HD-HAMPTON or visit www.Hamptonbay.com.

Pre-Installation 65-729227

PLANNING INSTALLATION

To prevent damage, place all parts on a soft surface during assembly. Remove all protective caps before beginning assembly.

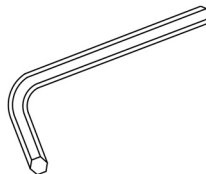
HARDWARE INCLUDED



FF



BB



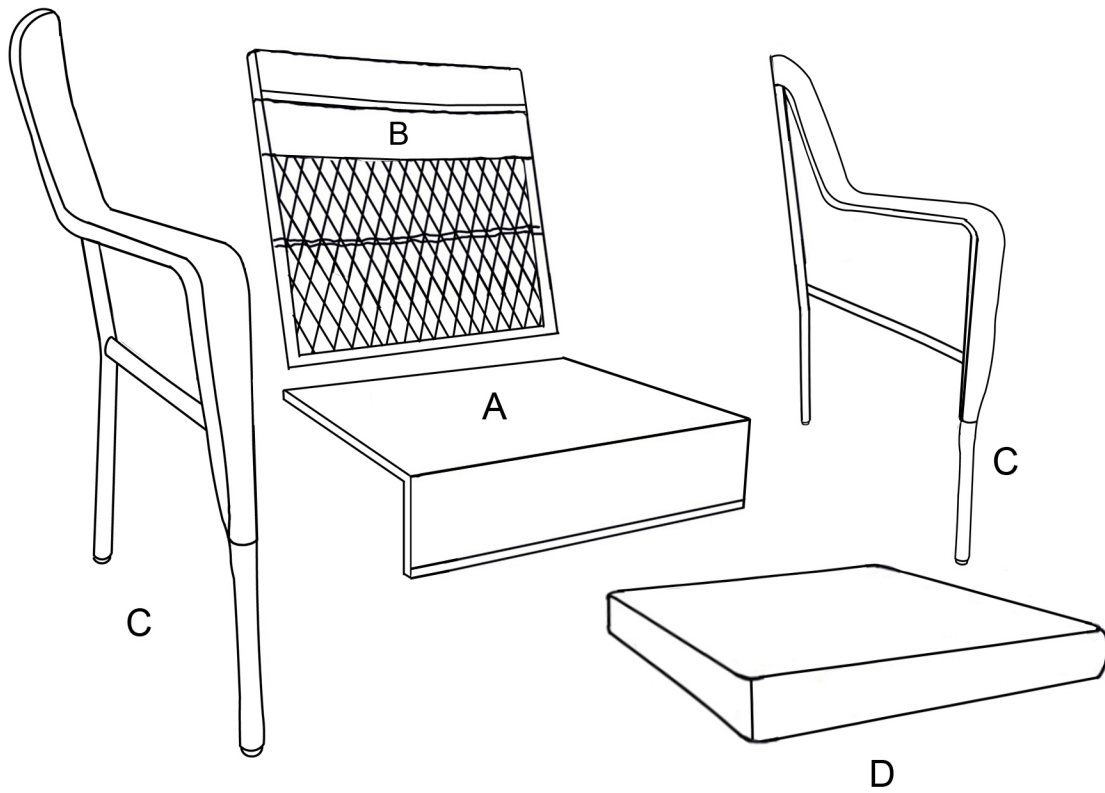
CC



EE

Part	Description	Quantity	
		For 1 Chair	For 2 Chairs
FF	panhead allen bolt (Φ6x35mm)	10	20
BB	plain washer (Φ6mm)	10	20
CC	allen wrench (Φ4mm)	1	1
EE	plastic cap (Φ6mm)	10	20

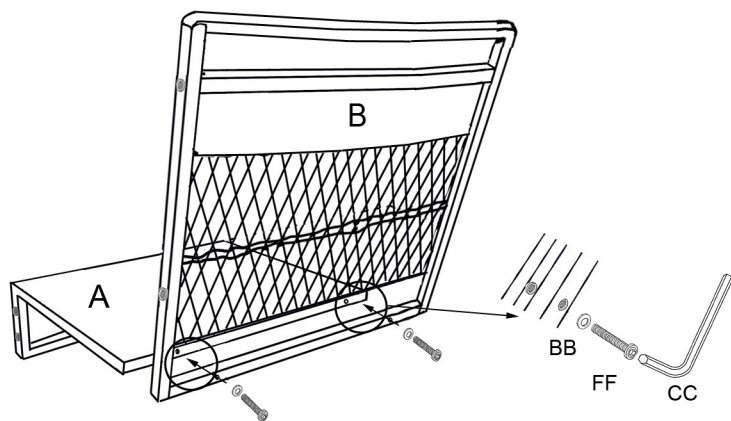
PACKAGE CONTENTS (Lounge Chair)



Part	Description	Quantity
A	Seat	1
B	Back	1
C	Left and Right Arm	2
D	Seat Cushion	1

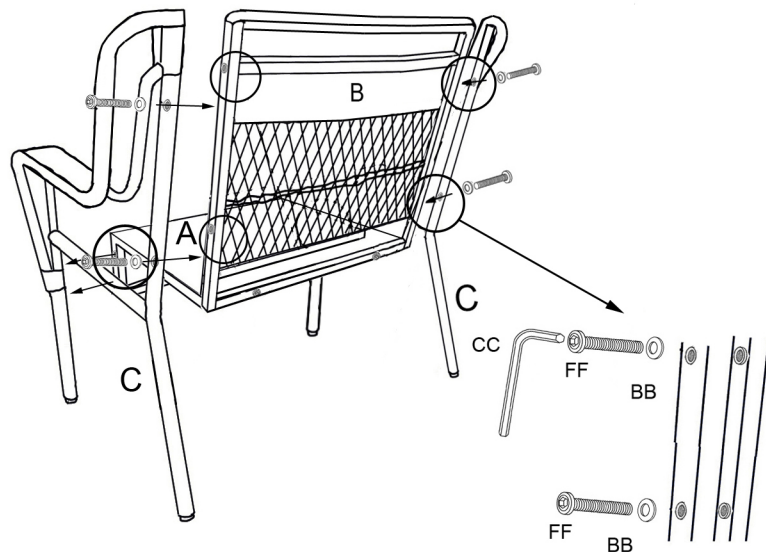
1 Attach the Seat and Back.

- Attach the back (B) to the seat (A) by aligning holes on the seat (A) with the holes on the back (B) and inserting panhead allen bolt (FF) with washer (BB).
- Tighten half way using the allen wrench (CC).
- Do not tighten completely.



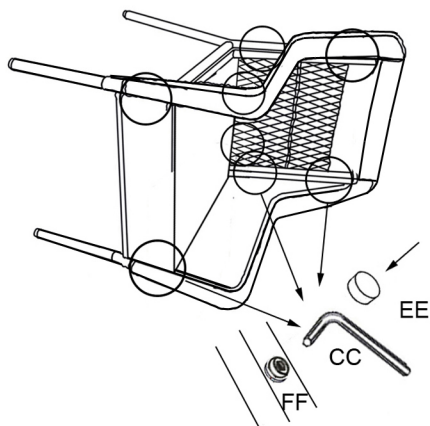
2 Attach the Left and Right Arm.

- Attach the left and right arm (C) to the seat (A) and back (B) by aligning side holes on the seat (A) and inserting panhead allen bolt (FF) with washer (BB).
- Tighten half way using the allen wrench (CC).
- Do not tighten completely.



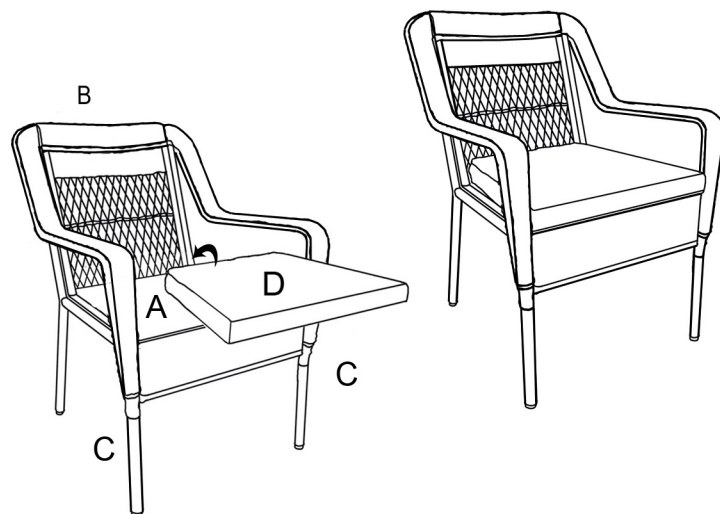
3 Completely the assembly.

- Check the assembled chair and make adjustments if needed.
- Fully tighten all panhead allen bolt (FF) with allen wrench (CC).
- Attach all plastic caps (EE)
- Place the chair right side up.



4 Install the Seat Cushion.

- Place the seat cushion (D) on the seat (A).
- The chair is now ready for your enjoyment.



Care and Cleaning

- Before using, wipe with a clean, dry cloth. Do not use bleach or solvents. When not in use, store furniture in a cool, dry place. If your set includes cushions or mesh fabric, they may be cleaned by hand with a mild solution of soap and water.
- Rinse cushion thoroughly and allow to drip dry. Do not machine wash or tumble dry, as cushions may shrink.
- Do not use bleach or solvents on fabrics. When cleaning the table top make sure to use a soft, clean cloth that does not bleed color as well.

Care and Maintenance

- Wash the frame with a mild solution of soap and water, rinse with clean water, and dry thoroughly.
- Cushions may also be cleaned by hand with a mild solution of soap and water. Rinse the cushion cover thoroughly and allow to drip dry. The back cushion and pillow should be spot cleaned with a soft cloth. Do not machine wash or tumble dry, as cushions may shrink. Do not use bleach or solvents on fabrics. Never use cleaners that contain acid or abrasive materials.
- Use and operation: To improve the lifespan of this furniture, cover when not use and store in a dry place in the off season.

HAMPTON BAY®

Questions, problems, missing parts? Before returning to the store,
call Hampton Bay Customer Service
8 a.m. – 7 p.m., EST, Monday – Friday, 9 a.m. – 6 p.m., EST, Saturday

1-855-HD-HAMPTON

HAMPTONBAY.COM

Retain this manual for future use.