



**VEIKOUS**



# **INSTRUCTION MANUAL**

---

**IRON DESK-150**



# VEIKOUS

---

THANK YOU FOR CHOOSING VEIKOUS!

YOU WILL NEVER KNOW

HOW EASILY YOU COULD ENLIGHTEN YOUR LIFE

WITH SUPERIORITY AND PLEASURE

NOW YOU KNOW IT

- FOR MORE COST-EFFECTIVE PRODUCTS.

VISIT [WWW.VEIKOUS.COM](http://WWW.VEIKOUS.COM).

- IF YOU HAVE ANY PROBLEM.

E-MAIL US AT [CUSTOMERSERVICE@VEIKOUS.COM](mailto:CUSTOMERSERVICE@VEIKOUS.COM)

---

## TOOLS REQUIRED



PHILLIPS  
SCREWDRIVER




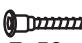



2 PERSON  
ASSEMBLY


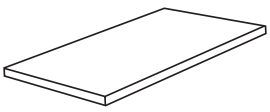
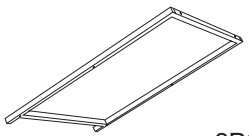
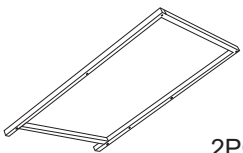

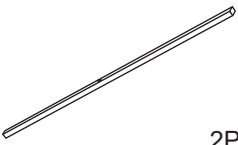


APPROXIMATELY  
20 MIN.  
ASSEMBLY

## HARDWARE

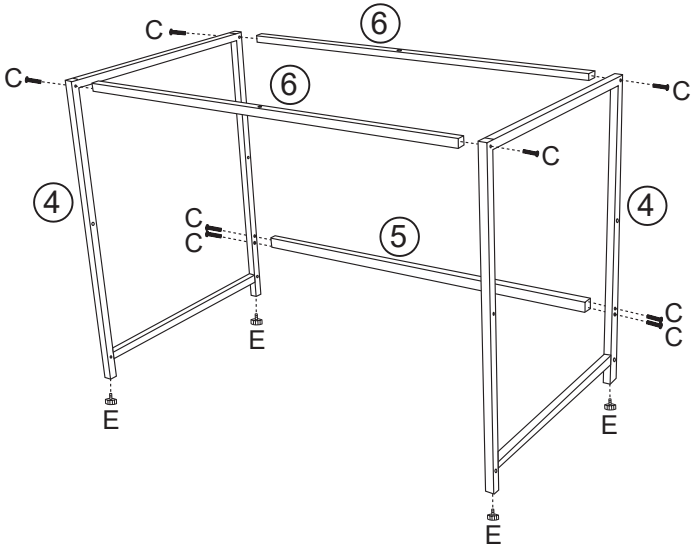
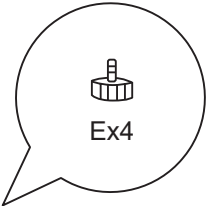
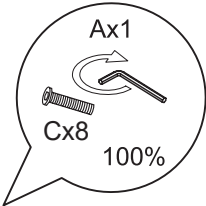
A  4mm 1PC	B  6x30mm 6PCS	C  6x40mm 8PCS	D  7x50mm 16PCS	E  8PCS	
---	--	--	---	--	--

## PARTS

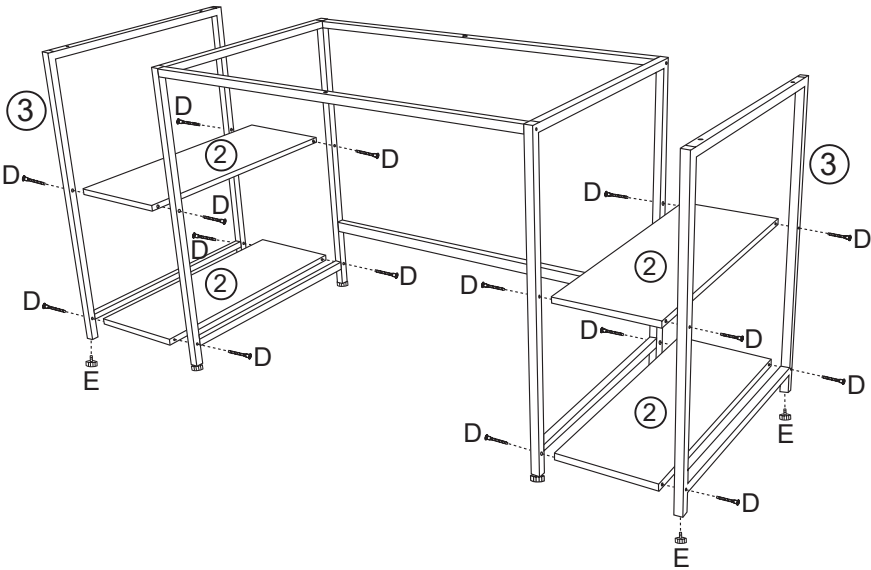
1  1PC	2  4PCS	3  2PCS
4  2PCS	5  1PC	6  2PCS

PRODUCT ASSEMBLY

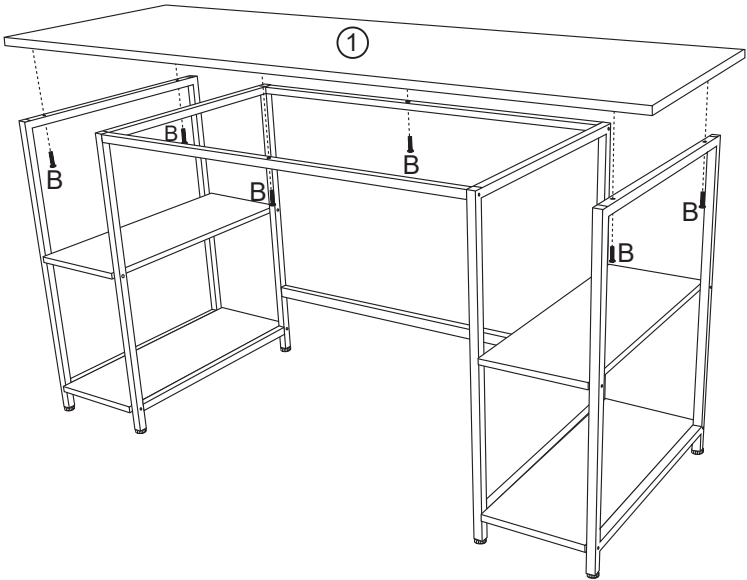
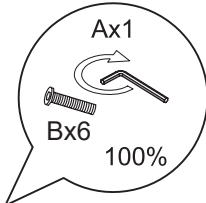
1



2



3



ENJOY YOUR PRODUCT!



## WARNING

Manufacturer and seller expressly disclaim any and all liability for personal injury, property damage or loss, whether direct, indirect, or incidental, resulting from the incorrect attachment, improper use, inadequate maintenance, or neglect of this product.