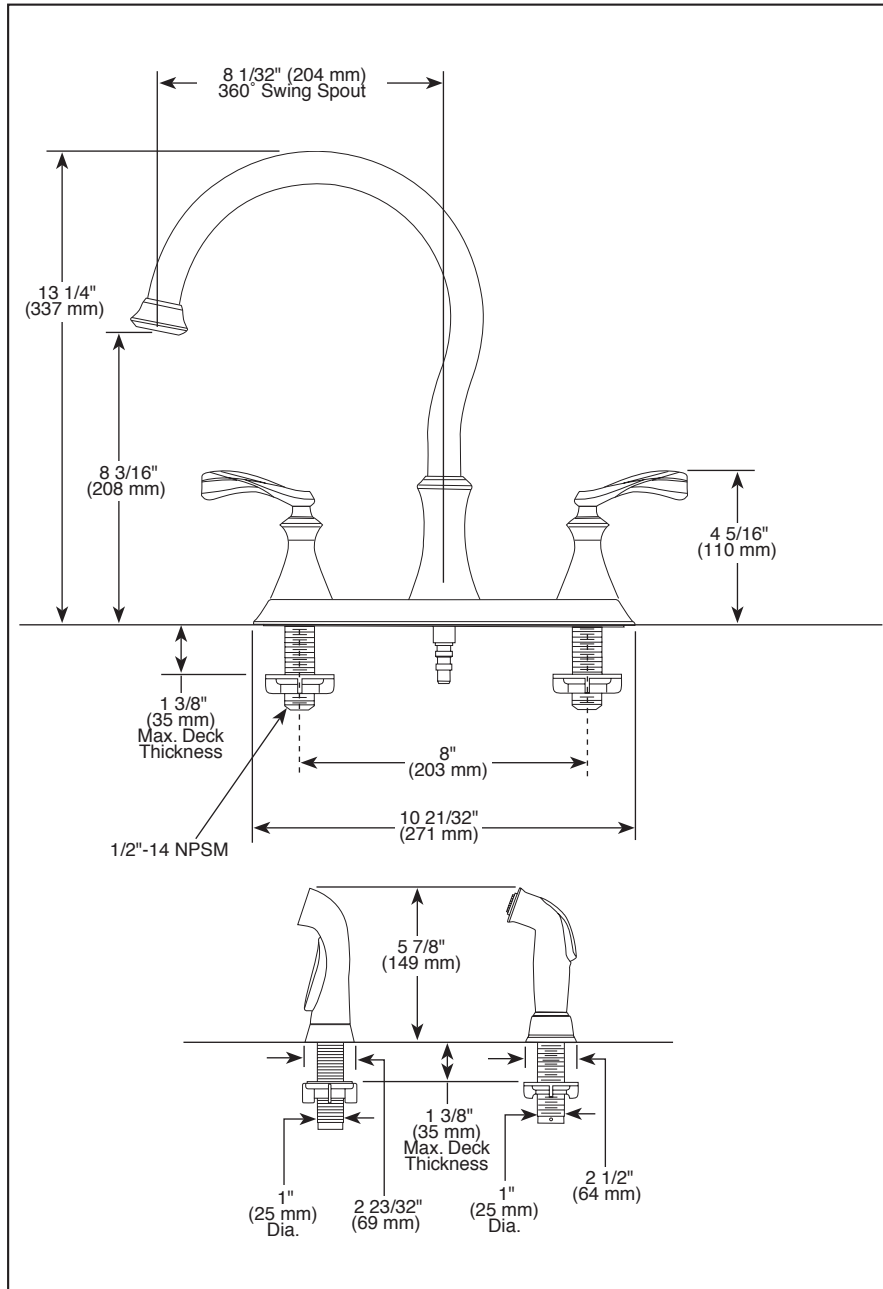


Submitted Model No.: _____

Specific Features: _____



▲ = Designate Proper Finish Suffix

Delta reserves the right (1) to make changes in specifications and materials, and (2) to change or discontinue models, both without notice or obligation. Dimensions are for reference only. See current full-line price book or www.deltafaucet.com for finish options and product availability.

DSP-K-21925LF Rev. C



KITCHEN FAUCETS

- Vessona® Collection
- Two Handle Deck Mount
- 4 Hole Sink Application

STANDARD SPECIFICATIONS:

- Maximum flow rate 1.8 gpm @ 60 PSI, 6.8 L/min @ 414 kPa.
- Solid brass fabricated body.
- 8" (203 mm) centers.
- 8 1/32" (204 mm) long, 13 1/4" (337 mm) high, spout swings 360°.
- Metal lever handles with 1/4" turn stops.
- Hot and cold stems are interchangeable.
- Control mechanism shall be of the rotating cylinder type with stainless steel plate and with replaceable non-metallic seats operating in stainless steel lined sockets.
- 1/2" I.P.S. threaded male inlet shanks.
- Model 21925LF Series with spray attachment has anti-siphon device as integral part of valve body.

WARRANTY

- Lifetime limited warranty on parts (other than electronic parts and batteries) and finishes; or for commercial users, for 5 years from the date of purchase.
- 5 year limited warranty on electronic parts (other than batteries); or for commercial users, for 1 year from the date of purchase. No warranty is provided on batteries.



COMPLIES WITH:

- ASME A112.18.1 / CSA B125.1

 Indicates compliance to ICC/ANSI A117.1

- Verified compliant with 0.25% weighted average Pb content regulations.



55 E. 111th Street, Indianapolis, Indiana 46280
350 South Edgeware Road, St. Thomas, Ontario Canada N5P 4L1
© 2015 Masco Corporation of Indiana