

Detailed Diagrams of Shower Door Components

Diagram A

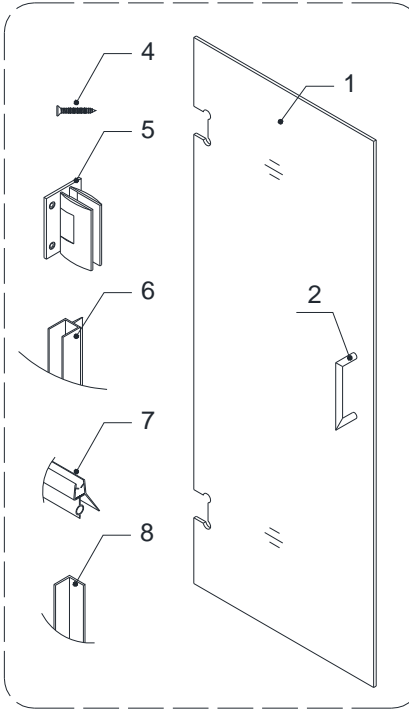


Diagram B

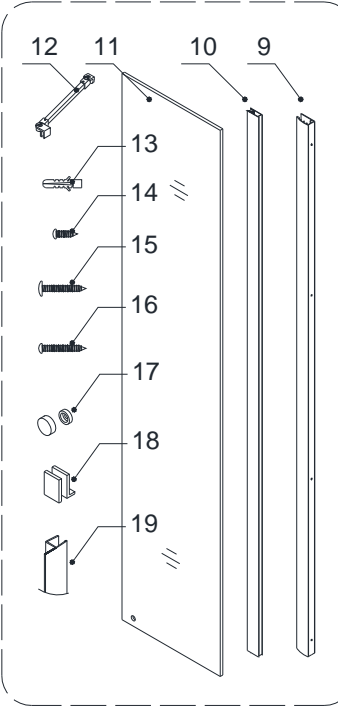


Diagram C

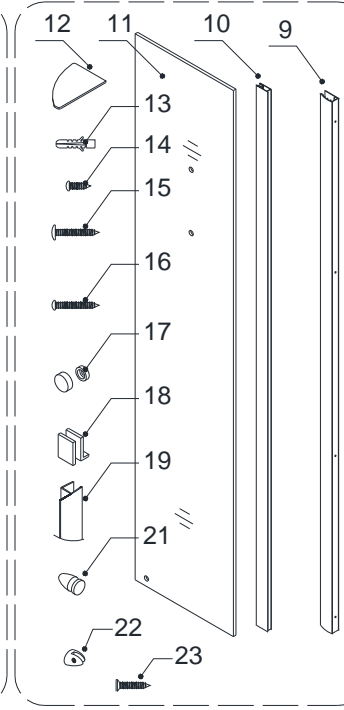


Diagram D

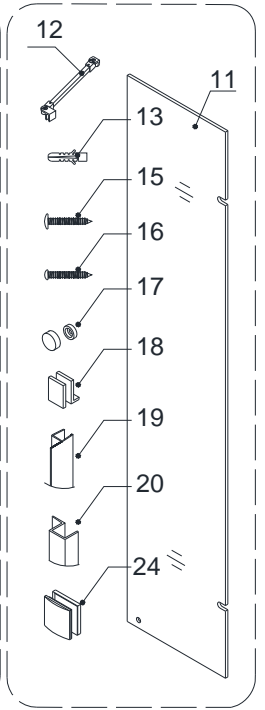


Diagram A

01	Glass door	1pc	06	Side strip (3 sections to cut)	1pc
02	Handle	1pc	07	Bottom anti-water strip	1pc
04	Countersunk screw ST5×70	8pcs	08	L-shaped strip	1pc
05	Hinge	2pcs			

Diagram B

09	Wall profile	1pc	15	Big flat head screw ST4.2×40	4pcs+1pc*
10	Glass profile	1pc	16	Round head screw ST4.2×35	1pc
11	Stationary glass	1pc	17	Decorative screw cover	5pcs
12	Support bar	1pc*	18	Bottom bracket	1pc
13	Wall Anchor	4pcs+1pc*	19	Anti-Water strip (Door)	1pc
14	Round head screw ST4.2×10	4pcs			

Diagram C

09	Wall profile	1pc	16	Round head screw ST4.2×35	1pc
10	Glass profile	1pc	17	Decorative screw cover	5pcs
11	Stationary glass	1pc	18	Bottom bracket	1pc
12	Glass shelf	2pcs	19	Anti-Water strip (Door)	1pc
13	Wall anchor	8pcs	21	Shelf bracket (with nut)	2pcs
14	Round head screw ST4.2×10	4pcs	22	Shelf bracket (without nut)	4pcs
15	Big flat head screw ST4.2×40	4pcs	23	Countersunk screw ST4.2×40	4pcs

Diagram D

11	Stationary glass	1pc	17	Decorative screw cover	1pc
12	Support bar	1pc*	18	Bottom bracket	1pc
13	Wall anchor	2pcs+1pc*	19	Anti-Water strip (Door)	1pc
15	Big flat head screw ST4.2×55	2pcs+1pc*	20	Anti-Water strip (Enclosure)	1pc
16	Round head screw ST4.2×35	1pc	24	Wall bracket	2pcs

*** ATTENTION:** All parts that marked with the star (*), not provided with 6" Stationary panel.

NOTE: Unpack your unit carefully and inspect it. Lay it out and identify all parts using detailed diagram in your manual as a reference. Before discarding the carton, check for small hardware bags that tend to fall to the bottom of the box. If any parts are damaged or missing, please contact DreamLine™ for replacement.

STYLE A

Single Shower door 23"-30"

Diagram A must be used for assembly

Pages: 5-9

STYLE B

Shower door with 6" small or 12"-30" large Stationary glass

Diagram A and Diagram B must be used for assembly

Pages: 5-9, 10-12, 14-15

STYLE C

Shower door with 12"-30" large Stationary glass

Diagram A and Diagram C must be used for assembly

Pages: 5-9, 10-12, 16-17

STYLE D

Shower door with 6" small or 14"-30" large Stationary glass

Diagram A and Diagram D must be used for assembly

Pages: 5-9, 18-21, 22-23

STYLE E

Shower enclosure with 30" Return Stationary glass

Diagram A and Diagram D must be used for assembly

Pages: 24-32