



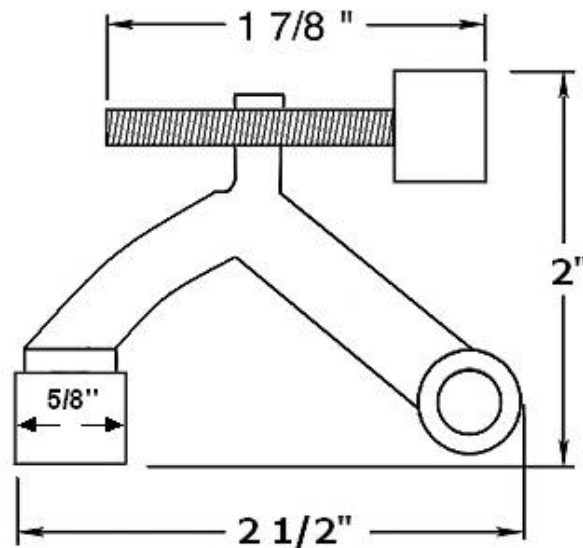
"The Special Finishes Specialist" ©

by St. Simons, Inc.

idhbrass.com

Quality Solid Brass Decorative Hardware & Bath Accessories

Installation Instructions
Premium Grade Solid Brass
Hinge Pin Stop
Item# 13029



Dimensions:

- 2-1/2" x 2"
- Adjustable door swing radius
- Weight: 2-1/2 oz.

Dimensions are for reference use only.

For exact dimensions, please measure actual part.

Installation Instructions:

1. Assemble door stop by pressing rubber tips onto threaded and fixed door stop arms and screw together.
2. Using screwdriver and hammer, carefully remove pin from top hinge.
3. Position door stop on top of hinge with threaded arm facing door.
4. Gently tap hinge pin into hinge using hammer. If hinge pin is too large, remove bushing.
5. Adjust stop for desired degree of opening by turning threaded arm.



Catalog Section: D

Hinge Pin Stop

Item# 13029

Date: Rev 01/18