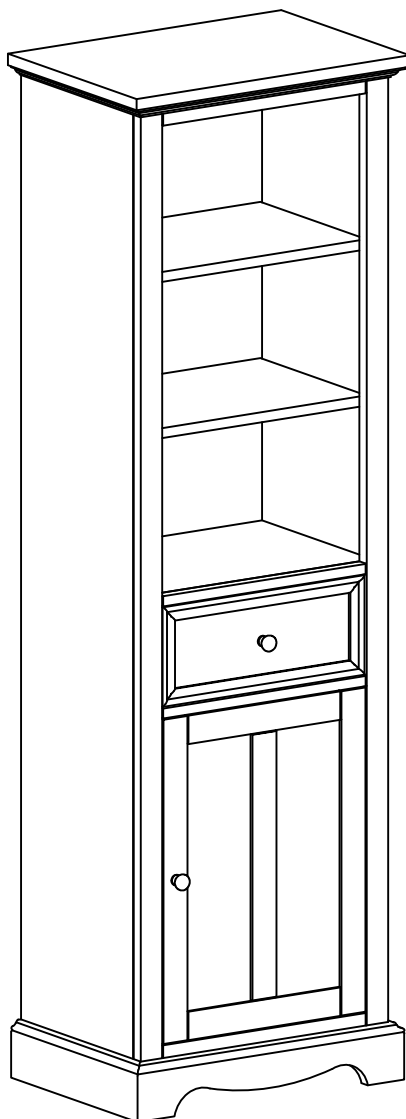


ASSEMBLY INSTRUCTIONS

FREMONT LINEN CABINET



Questions, problems, missing parts? Before returning to the store,
call Home Decorators Collection Customer Service
8 a.m - 7 p.m., EST Monday- Friday, 9 a.m. 6 p.m.,EST, Saturday

1-800-998-7021

[HOMEDEPOT .COM/HOMEDECORATORS](http://HOMEDEPOT.COM/HOMEDECORATORS)

THANK YOU

We appreciate the trust and confidence you have placed in Home Decorators Collection through the purchase of this wall mirror cabinet. We strive to continually create quality products designed to enhance your home. Visit us online to see our full line of products available for your home improvement needs.

Thank you for choosing Home Decorators Collection!

Table of Contents

Table of Contents	2	Hardware Included.....	4
Safety Information	2	Pre-assembly (continued)	5
Warranty	2	Parts included.....	5
Limited lifetime Warranty.....	3	Package Contents.....	5
What is Covered.....	3	Assembly	6 & 7
What is not Covered.....	3	1 Installing the Anti-tip hardware.....	6
California and Minnesota Residents	3	2 Adjusting the leveler.....	6
California residents.....	3	3 Adjusting the shelves.....	7
Minnesota residents.....	3	3 Removing the drawers.....	7
Pre-assembly	4		
Planning Assembly.....	4		
Tools Required.....	4		

Safety Information

DANGER

- Keep small parts away from children during assembly.
- Failure to follow warning and cautions could result in serious injury.
- Product is designed to hold 60 lbs. Exceeding this limit may damage the product or cause injury to the user.

WARNING

- Read these instructions carefully and keep in a safe place.
- Adult assembly required.
- Do not over tighten connectors (screws, bolts, etc.) Overtightening can lead to product damage.
- Small parts may present choking hazard prior to assembly.

CAUTION

- Be sure to check all packing materials carefully for small parts that may have come loose inside the carton during shipment. If parts are missing, contact THE HOME DEPOT to obtain any missing parts.

WARNING

- Unit must be placed on a level surface or leveled with included hardware (when applicable).
- Do not sit or stand on or allow children to climb, sit or stand on the assembled product.
- For safety reasons, it is imperative that this unit be mounted on the wall or floor.
- Do not use without installing the tip restraint.
- Unit can tip over causing severe injury or death.
- Never open more than one drawer at a time.
- Do not exceed the recommended weight limits.
- Evenly distribute the weight on each level and always keep the heavier loads on the bottom.
- Before cutting, drilling or hammering into any wall or floor surface, verify the location of electrical, plumbing and gas lines.

LIMITED LIFETIME WARRANTY

WHAT IS COVERED

Home Decorators Collection products are manufactured with superior quality standards and workmanship and are backed by our limited lifetime warranty. Home Decorators Collection products are warranted to the original consumer purchaser to be free of defects in materials or workmanship. We will replace FREE OF CHARGE any product or parts that proves defective. Simply, return the product / part to any of The Home Depot retail locations or call 1-800-998-7021 to receive the replacement item. Proof of purchase (original sales receipt) from the original consumer purchaser must be made available for all Home Decorators Collection warranty claims.

WHAT IS NOT COVERED

This warranty excludes incidental/consequential damages and failures due to misuse, abuse or normal wear and tear. This warranty excludes all industrial, commercial & business usage, whose purchasers are hereby extended a five-year limited warranty from the date of purchase, with all other terms of this warranty applying except the duration of warranty. Some states and provinces do not allow the exclusion or limitation of incidental or consequential damages, so the above limitations may not apply to you. This warranty gives you specific legal rights and you may also have other rights that vary from state to state and province to province. Please see a store or contact 1-800-998-7021 for more details.

California and Minnesota Residents

CALIFORNIA RESIDENTS

 **WARNING THIS PRODUCT CAN EXPOSE YOU TO FORMALDEHYDE WHICH IS KNOWN TO THE STATE OF CALIFORNIA TO CAUSE CANCER. FOR MORE INFORMATION, GO TO WWW.P65WARNINGS.CA.GOV.**

MINNESOTA RESIDENTS

"IMPORTANT HEALTH NOTICE.

SOME OF THE BUILDING MATERIALS USED IN THIS HOME (OR THESE BUILDING MATERIALS) EMIT FORMALDEHYDE. EYE, NOSE, AND THROAT IRRITATION, HEADACHE, NAUSEA AND A VARIETY OF ASTHMA-LIKE SYMPTOMS, INCLUDING SHORTNESS OF BREATH, HAVE BEEN REPORTED AS A RESULT OF FORMALDEHYDE EXPOSURE. ELDERLY PERSONS AND YOUNG CHILDREN, AS WELL AS ANYONE WITH A HISTORY OF ASTHMA, ALLERGIES, OR LUNG PROBLEMS, MAY BE AT GREATER RISK. RESEARCH IS CONTINUING ON THE POSSIBLE LONG-TERM EFFECTS OF EXPOSURE TO FORMALDEHYDE.

REDUCED VENTILATION MAY ALLOW FORMALDEHYDE AND OTHER CONTAMINANTS TO ACCUMULATE IN THE INDOOR AIR. HIGH INDOOR TEMPERATURES AND HUMIDITY RAISE FORMALDEHYDE LEVELS. WHEN A HOME IS TO BE LOCATED IN AREAS SUBJECT TO EXTREME SUMMER TEMPERATURES, AN AIR-CONDITIONING SYSTEM CAN BE USED TO CONTROL INDOOR TEMPERATURE LEVELS. OTHER MEANS OF CONTROLLED MECHANICAL VENTILATION CAN BE USED TO REDUCE LEVELS OF FORMALDEHYDE AND OTHER INDOOR AIR CONTAMINANTS.

IF YOU HAVE ANY QUESTIONS REGARDING THE HEALTH EFFECTS OF FORMALDEHYDE, CONSULT YOUR DOCTOR OR LOCAL HEALTH DEPARTMENT."

Pre-assembly

PLANNING ASSEMBLY

Check the Cabinet for damage before installation. If any part of the Cabinet is missing or damaged, contact the Customer Service Team at 1-800-998-7021.

TOOLS REQUIRED



Safety goggles



Phillips screwdriver

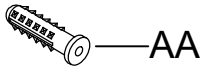


Level

HARDWARE INCLUDED



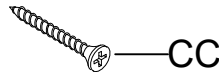
NOTE: Hardware not shown to actual size.



AA



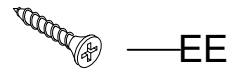
BB



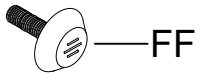
CC



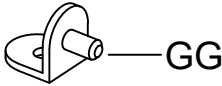
DD



EE



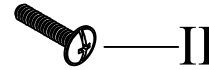
FF



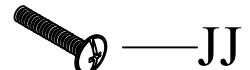
GG



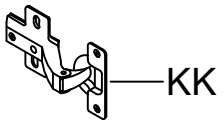
HH



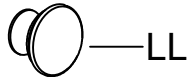
II



JJ



KK

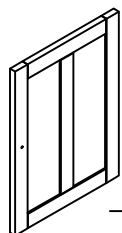


LL

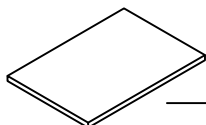
Part	Description	Quantity
AA	Anchor	4
BB	Metal bracket	4
CC	Screw	2
DD	Plastic rope	2
EE	Screw	2
FF	Leveler	4
GG	Shelf pin	12
HH	Ball bearing glide	2
II	Screw for door	1
JJ	Screw for drawer	1
KK	European hinge	2
LL	Knob	2

Pre-assembly (continued)

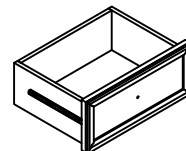
PARTS INCLUDED



B



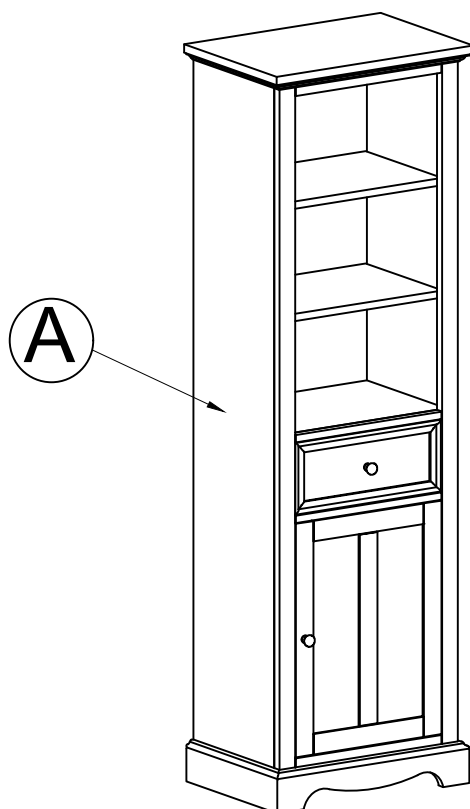
C



D

Part	Description	Quantity
B	Door	1
C	Adjustable shelf	3
D	Drawer	1

PACKAGE CONTENTS

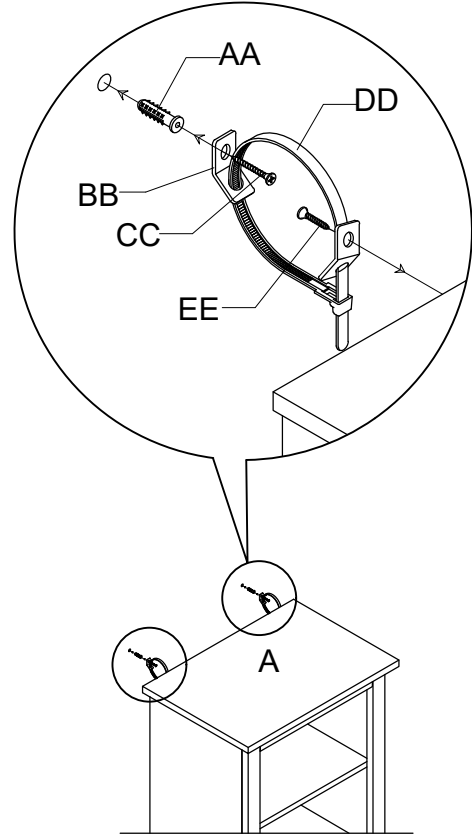
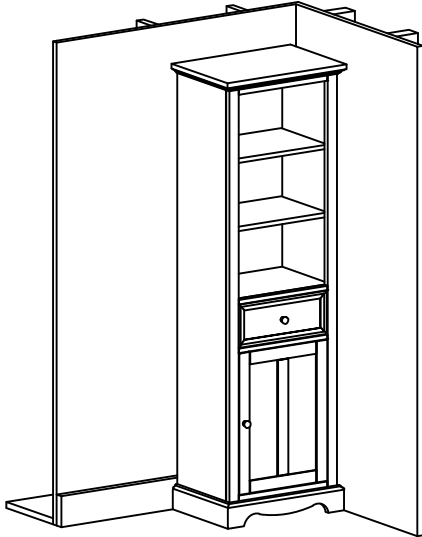


Part	Description	Quantity
A	Linen cabinet	1

Assembly

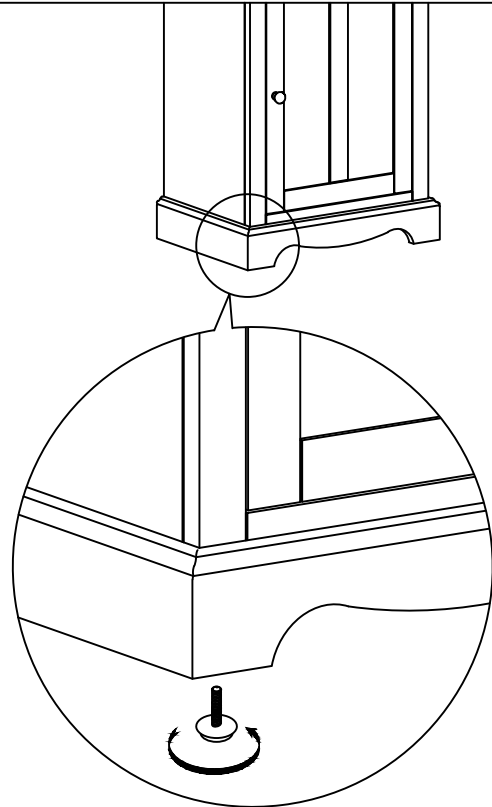
1 Installing the Anti-tip hardware

- Use four screw (CC) to attach the metal bracket (BB) to the anchor (AA) and secure to the desired location on the wall.
- Use the four screws (EE) to attach the metal bracket (BB) to the top panel (A) using the plastic rope (DD).



2 Adjusting the leveler

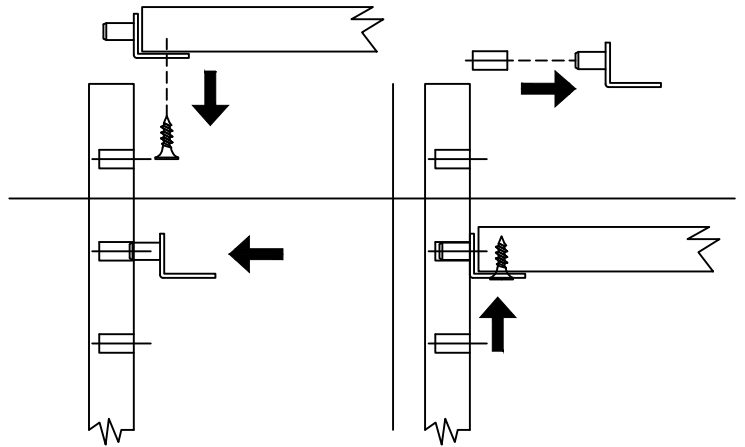
- Adjust the leg levelers to ensure that the vanity is even.



Assembly

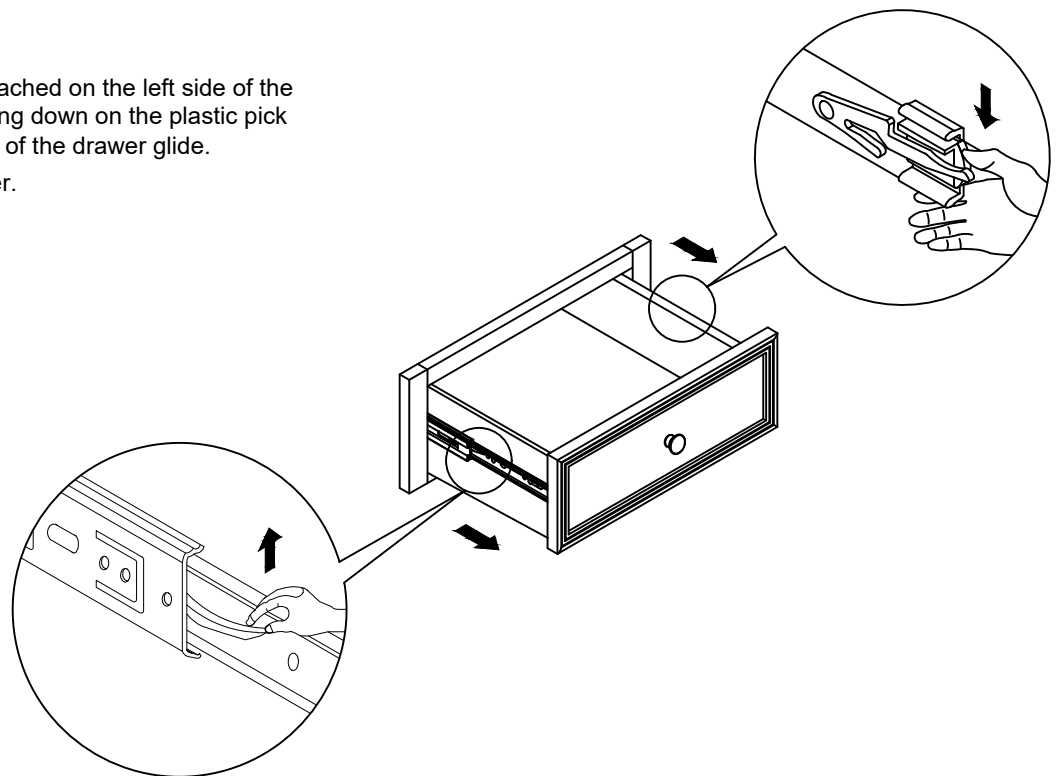
3 Adjusting the shelves

- ❑ Remove the shelf screws securing the shelf to the shelf bracket.
- ❑ Remove the shelf from the floor cabinet.
- ❑ Insert the shelf brackets into the desired holes. Ensure that all the shelf brackets are level.
- ❑ Gently insert the shelf into the vanity and secure it to the shelf brackets using the shelf screws.



4 Removing the drawers

- ❑ Lift up the plastic pick attached on the left side of the drawer glide while pressing down on the plastic pick attached on the right side of the drawer glide.
- ❑ Gently remove the drawer.



HOME DECORATORS COLLECTION

Questions, problems, missing parts? Before returning to the store,
call Home Decorators Collection Customer Service
8 a.m - 7 p.m., EST Monday- Friday, 9 a.m. 6 p.m.,EST, Saturday

1-800-998-7021

HOMEDEPOT.COM/HOMEDECORATORS

Retain this manual for future use.