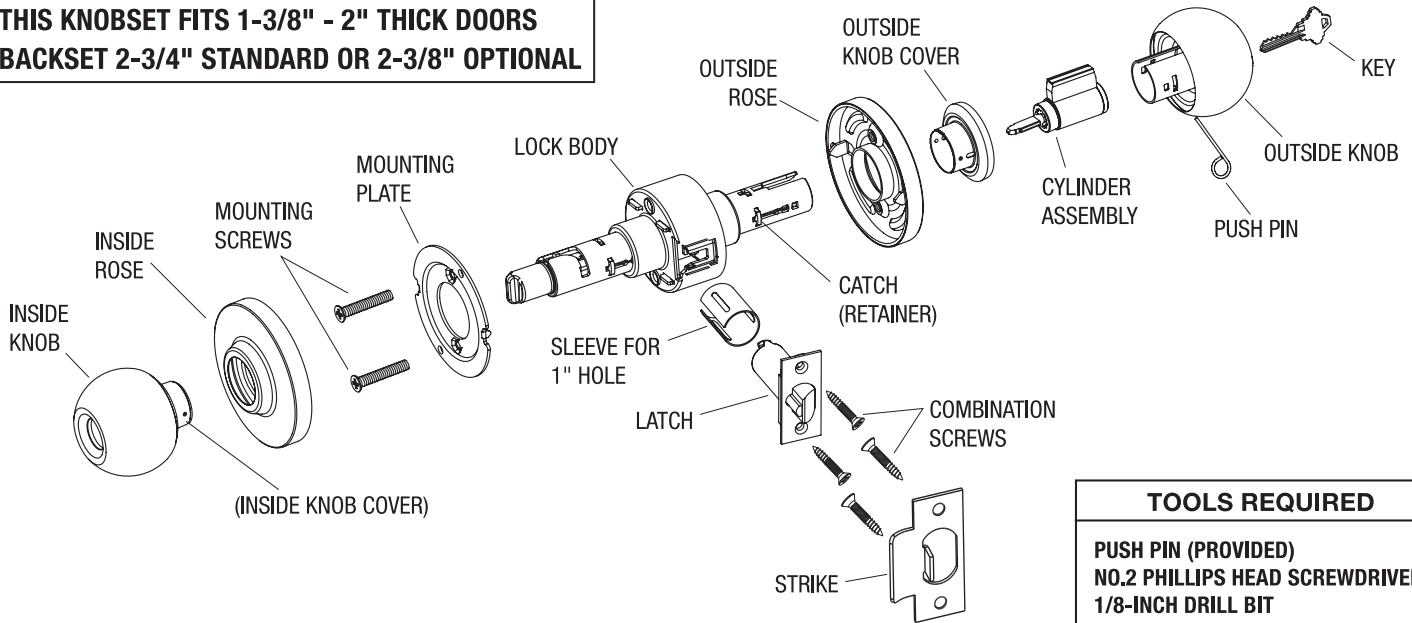


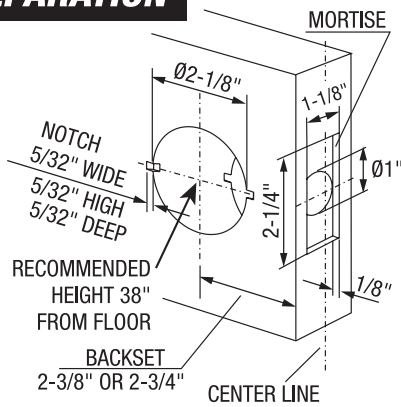
**THIS KNOBSET FITS 1-3/8" - 2" THICK DOORS
BACKSET 2-3/4" STANDARD OR 2-3/8" OPTIONAL**



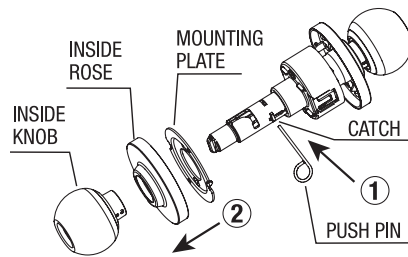
TOOLS REQUIRED
PUSH PIN (PROVIDED)
NO.2 PHILLIPS HEAD SCREWDRIVER
1/8-INCH DRILL BIT

NEW DOOR PREPARATION

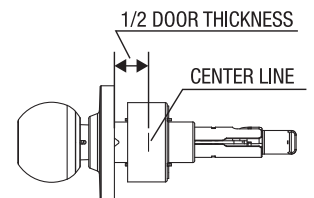
1. Fold template on edge of door and mark holes.
2. Drill a 2-1/8" hole through face of door (from both sides to avoid damaging door).
3. Drill a 1" hole in edge of door.
4. Cut 5/32" notches on 2-1/8" hole on both sides of door.
5. Mortise door edge 2-1/4" x 1-1/8" x 1/8".



1 REMOVE INSIDE TRIM AND ADJUST DOOR THICKNESS

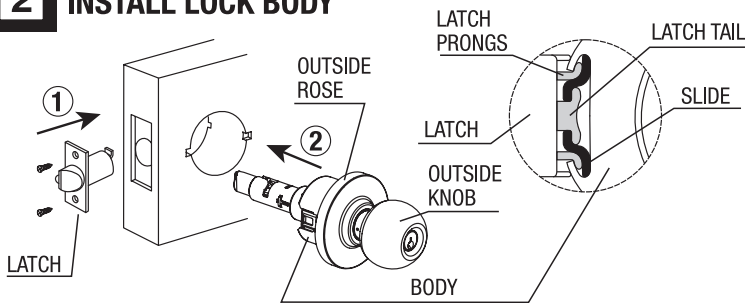


1A: Use push pin to depress knob catch and pull off inside knob, then remove inside rose, mounting plate.



1B: Turn outside rose to adjust center line of lock body to match the centerline of the door.

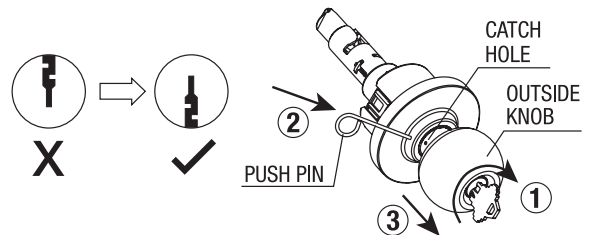
2 INSTALL LOCK BODY



- 2A:** Install latch and secure with screws provided.
2B: Slide lock body into door and make sure that latch prongs engage lock body.

CHANGING DIRECTION OF KEYWAY

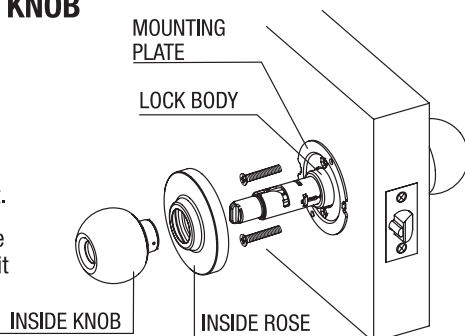
Keyway direction is normally in down position. To change the direction, follow steps below: (for more details, see reverse page)



- A.** Turn key 75° clockwise ①, insert push pin into catch hole to depress knob catch ②. Pull outside knob off of spindle ③.
B. Turn knob 180° and then reinstall knob.

3 INSTALL INSIDE KNOB

- 3A:** Install mounting plate and secure with mounting screws.
3B: Screw inside rose onto spindle until hand tight.
3C: Push inside knob all the way onto spindle until it clicks into catch hole.



4 INSTALL STRIKE

