

CHAMBERLAIN®

Garage Opener

- Please read this manual and the enclosed safety materials carefully!
- Fasten the manual near the garage door after installation.
- The door **WILL NOT CLOSE** unless the Protector System® is connected and properly aligned.
- Periodic checks of the garage door opener are required to ensure safe operation.
- The model number label is located on the front panel of your garage door opener.
- This garage door opener is compatible with myQ® and Security+ 2.0® accessories.
- **DO NOT** install on a one-piece door if using devices or features providing unattended close. Unattended devices and features are to be used **ONLY** with sectional doors.



Owner's Manual

C273

Chain Drive
Garage Door Opener

FOR RESIDENTIAL USE ONLY

PRE-PROGRAMMED REMOTE CONTROL
INCLUDED



TO WATCH VIDEOS GO TO:
tinyurl.com/lgh5x3h

Contents

Preparation	2-5
Assembly	6-10
Installation	11-28
Install the Door Control	21-22
Install the Protector System®	23-26
Power.....	27-28
Adjustments.....	29-31
Battery Backup	32
myQ® Smartphone Control.....	33
Operation.....	34-37
Features	35
Using your Garage Door Opener	36
Remote Control.....	36
Homelink®	36
To Erase the Memory	37
To Open the Door Manually	37
Maintenance	38
Troubleshooting	39-40
Accessories	41
Warranty.....	42
Repair Parts	43-44

www.chamberlain.com
www.mychamberlain.com

Preparation

Safety Symbol and Signal Word Review

This garage door opener has been designed and tested to offer safe service provided it is installed, operated, maintained and tested in strict accordance with the instructions and warnings contained in this manual.

WARNING

Mechanical

When you see these Safety Symbols and Signal Words on the following pages, they will alert you to the possibility of **serious injury or death** if you do not comply with the warnings that accompany them. The hazard may come from something mechanical or from electric shock. Read the warnings carefully.

WARNING

Electrical

When you see this Signal Word on the following pages, it will alert you to the possibility of damage to your garage door and/or the garage door opener if you do not comply with the cautionary statements that accompany it. Read them carefully.

CAUTION



WARNING: This product can expose you to chemicals including lead, which are known to the State of California to cause cancer or birth defects or other reproductive harm. For more information go to www.P65Warnings.ca.gov

Unattended Operation

The Timer-to-Close (TTC) feature, the myQ® Smartphone Control app, and myQ Garage Door and Gate Monitor are examples of unattended close and are to be used **ONLY** with sectional doors. Any device or feature that allows the door to close without being in the line of sight of the door is considered unattended close. The Timer-to-Close (TTC) feature, the myQ Smartphone Control, and any other myQ devices are to be used **ONLY** with sectional doors.

Check the Door

WARNING

To prevent possible **SERIOUS INJURY** or **DEATH**:

- ALWAYS call a trained door systems technician if garage door binds, sticks, or is out of balance. An unbalanced garage door may NOT reverse when required.
- NEVER try to loosen, move or adjust garage door, door springs, cables, pulleys, brackets or their hardware, ALL of which are under **EXTREME** tension.
- Disable ALL locks and remove ALL ropes connected to garage door BEFORE installation and operating garage door opener to avoid entanglement.
- DO NOT install on a one-piece door if using devices or features providing unattended close. Unattended devices and features are to be used **ONLY** with sectional doors.

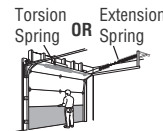
CAUTION

To prevent damage to garage door and opener:

- ALWAYS disable locks BEFORE installing and operating the opener.
- ONLY operate garage door opener at 120V, 60 Hz to avoid malfunction and damage.

Before you begin:

1. Disable locks and remove any ropes connected to the garage door.
2. Lift the door halfway up. Release the door. If balanced, it should stay in place, supported entirely by its springs.
3. Raise and lower the door to check for binding or sticking. If your door binds, sticks, or is out of balance, call a trained door systems technician.
4. Check the seal on the bottom of the door. Any gap between the floor and the bottom of the door must not exceed 1/4" (6 mm). Otherwise, the safety reversal system may not work properly.
5. The opener should be installed above the center of the door. If there is a torsion spring or center bearing plate in the way of the header bracket, it may be installed within 4 feet (1.2 m) to the left or right of the door center. See page 12.



Preparation

Before You Connect with Your Smartphone

Monitor and control your garage door from anywhere using the myQ app. You will need a router with Wi-Fi and a smartphone or other mobile device. Make sure your mobile device is connected to your Wi-Fi network. Hold your mobile device in the place where your garage door opener will be installed and check the Wi-Fi signal strength.



Check Signal Strength. If you see:



Wi-Fi signal is strong. You're all set!
Install your new garage door opener.



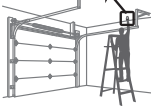
Wi-Fi signal is weak.

The garage door opener will *likely* connect to your Wi-Fi network. If not, try one of the options below.



No Wi-Fi signal. Try one of the following:

- Move your router closer to the garage door opener to minimize interference from walls and other objects
- Buy a Wi-Fi range extender
- Buy a myQ Internet Gateway (828LG) see page 41



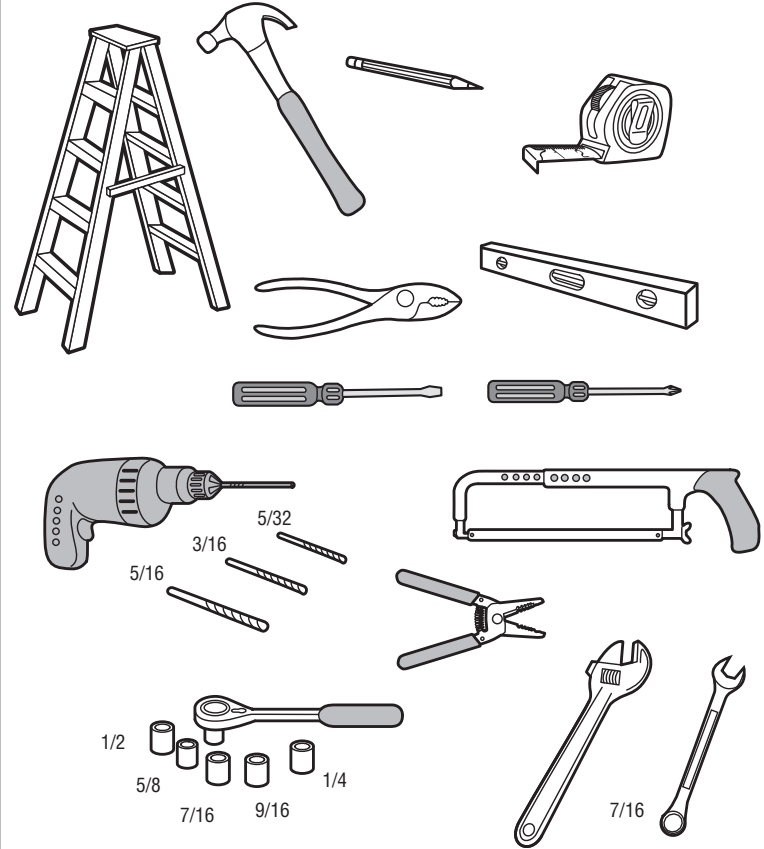
See myQ Smartphone Control page 33 to connect your garage door opener to your Wi-Fi network.

Additional Items You May Need:

Survey your garage area to see if you will need any of the following items:

- **(2) 2X4 Pieces of wood** : May be used to fasten the header bracket to the structural supports. Also used to position the garage door opener during installation and for testing the safety reversing sensors.
- **Support bracket and fastening hardware**: Must be used if you have a finished ceiling in your garage.
- **Extension brackets (MODEL 041A5281-1) or wood blocks**: Depending upon garage construction, extension brackets or wood blocks may be needed to install the safety reversing sensor.
- **Fastening hardware**: Alternate floor mounting of the safety reversing sensor will require hardware not provided.
- **Door reinforcement**: Required if you have a lightweight steel, aluminum, fiberglass or glass panel door.
- **Rail extension kit**: Required if your garage door is more than 7 feet (2.13 m) high.

Tools Needed



Preparation

Carton Inventory

Save the carton and packing material until the installation and adjustment is complete. Instructions for the accessories will be attached to the accessory and are not included in this manual. The images throughout this manual are for reference only and your product may look different.

- A. Header bracket
- B. Pulley
- C. Door bracket
- D. Curved door arm
- E. Straight door arm (Packaged inside front rail section)
- F. Trolley

NOTE: Be sure to assemble the trolley before sliding onto rail.

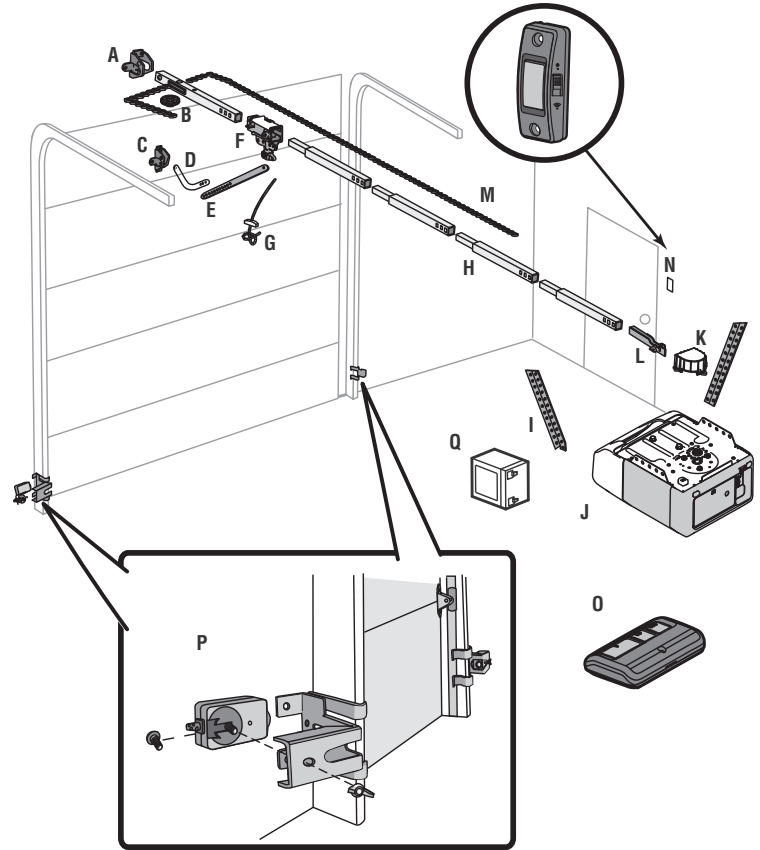
- G. Emergency release rope and handle
- H. Rail (1 front and 4 center sections)
- I. Hanging brackets (2) (Packaged inside the front rail section)
- J. Garage door opener (motor unit)
- K. Sprocket cover
- L. "U" bracket
- M. Chain and cable
- N. Door control - Push button
- O. Remote control - 3 Button
- P. **The Protector System®**

Safety reversing sensors with 2 conductor white and white/black wire attached: Sending Sensor (1), Receiving Sensor (1), and Safety Sensor Brackets (2)

- Q. Battery Backup

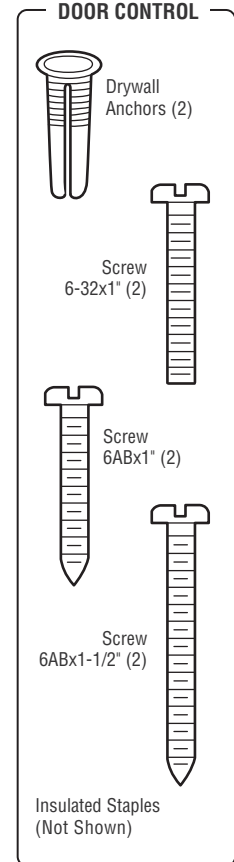
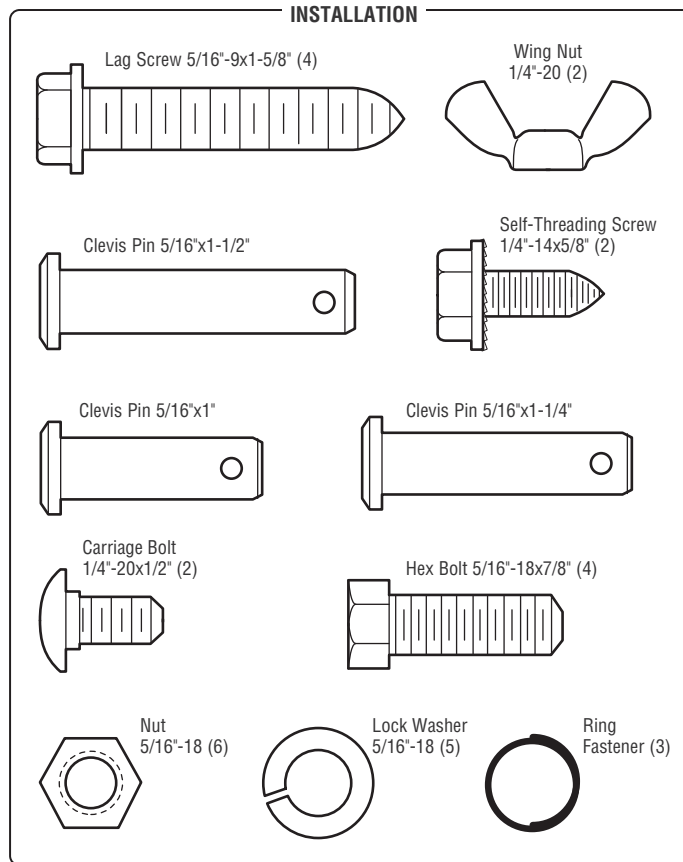
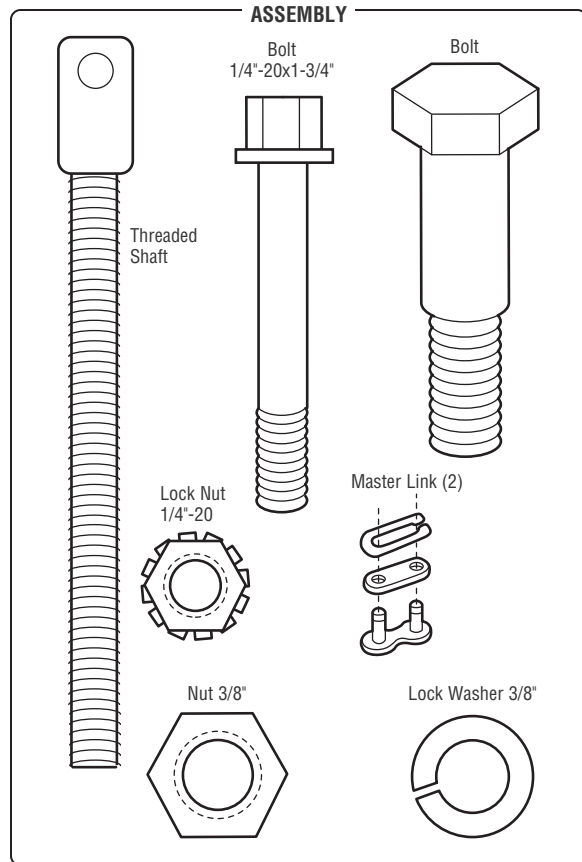
NOT SHOWN

White and red/white wire
Owner's manual
Hardware



Preparation

Hardware



Assembly

STEP 1 Assemble the rail and install the trolley

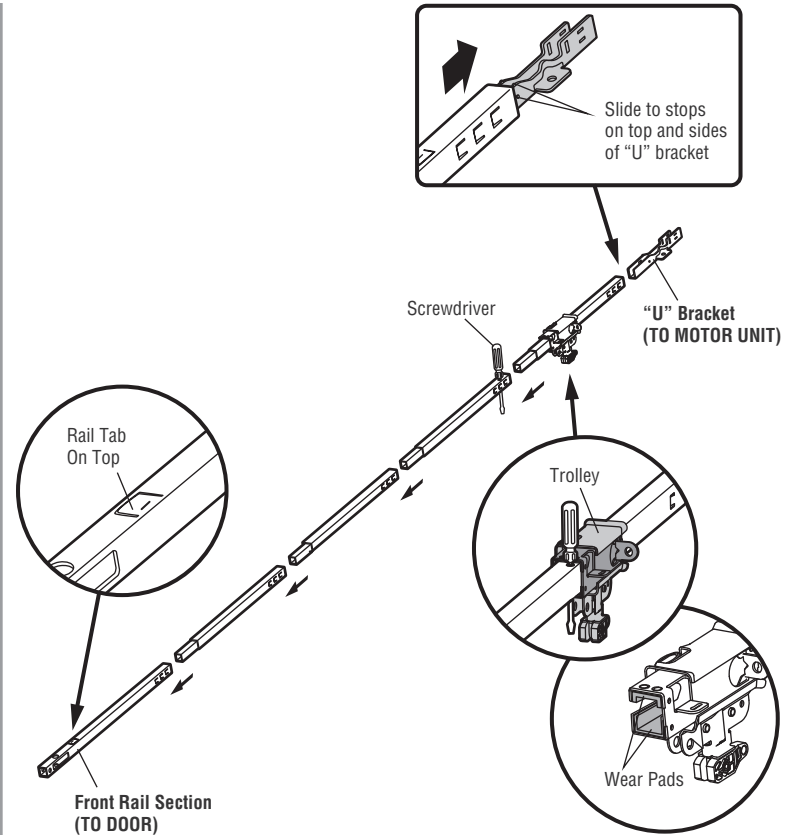
CAUTION

To prevent INJURY from pinching, keep hands and fingers away from the joints while assembling the rail.

To avoid installation difficulties, do not run the garage door opener until instructed to do so.

The front rail has a cut out "window" at the door end. The rail tab **MUST** be on top of the rail when assembled.

1. Remove the straight door arm and hanging bracket packaged inside the front rail and set aside for Installation Step 5 and 9. **NOTE:** To prevent INJURY while unpacking the rail carefully remove the straight door arm stored within the rail section.
2. Align the rail sections on a flat surface as shown and slide the tapered ends into the larger ones. Tabs along the side will lock into place.
3. Place the motor unit on packing material to protect the cover, and rest the back end of the rail on top. For convenience, put a support under the front end of the rail.
4. As a temporary stop, insert a screwdriver into the hole in the second rail section from the motor unit, as shown.
5. Check to be sure there are 4 plastic wear pads inside the inner trolley. If they became loose during shipping, check all packing material. Snap them back into position as shown.
6. Slide the trolley assembly toward the screwdriver as shown.
7. Slide the rail onto the "U" bracket, until it reaches all the stops on the top and sides of the "U" bracket.



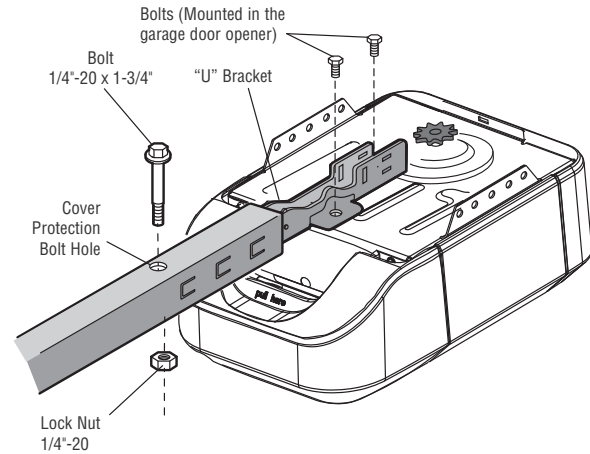
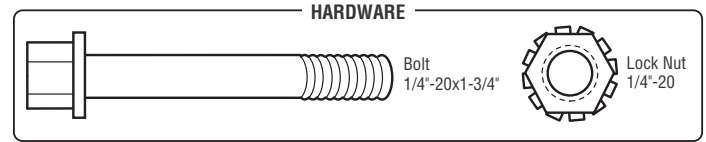
Assembly

STEP 2 Fasten the rail to the motor unit

CAUTION

To avoid **SERIOUS** damage to garage door opener, use **ONLY** those bolts/fasteners mounted in the top of the opener.

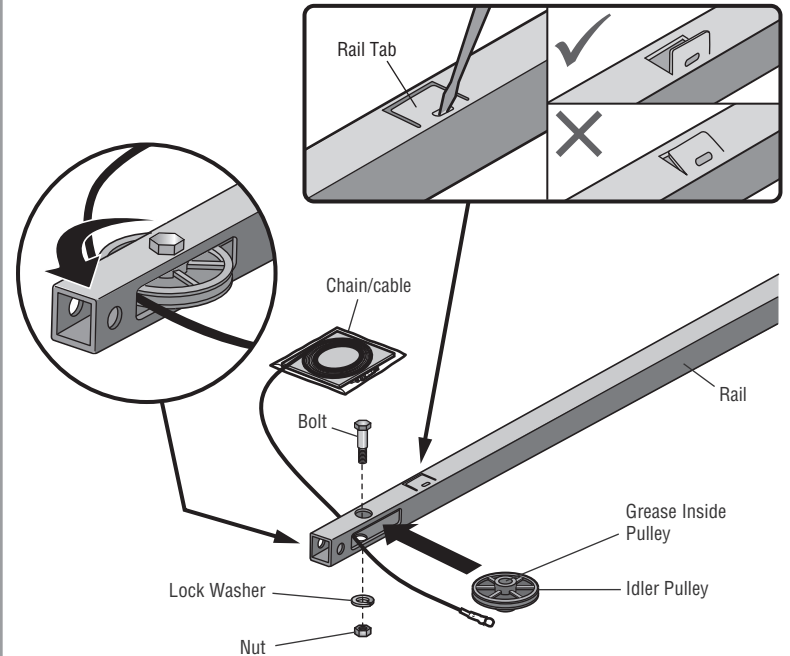
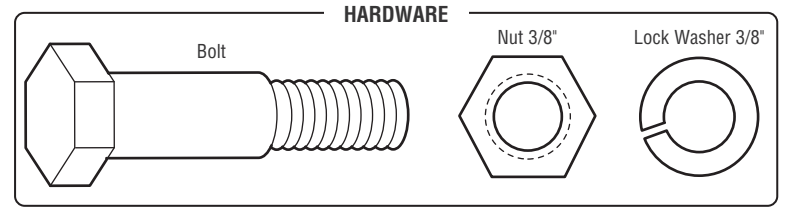
1. Insert a 1/4"-20x1-3/4" bolt into the cover protection bolt hole on the back end of the rail as shown. Tighten securely with a 1/4"-20 lock nut. **DO NOT** overtighten.
2. Remove the bolts from the top of the motor unit.
3. Use the carton to support the front end of the rail.
4. Place the "U" bracket, flat side down onto the motor unit and align the bracket holes with the bolt holes.
5. Fasten the "U" bracket with the previously removed bolts ; **DO NOT** use any power tools. The use of power tools may permanently damage the garage door opener.



Assembly

STEP 3 Install the idler pulley

1. Lay the chain/cable beside the rail, as shown. Grasp the end of the cable and pass approximately 12" (30 cm) of cable through the window. Allow it to hang until Assembly Step 4.
2. Remove the tape from the idler pulley. The inside center should be pre-greased. If dry, regrease to ensure proper operation.
3. Place the idler pulley into the window as shown.
4. Insert the idler bolt from the top through the rail and pulley. Tighten with a 3/8" lock washer and nut underneath the rail until the lock washer is compressed.
5. Rotate the pulley to be sure it spins freely.
6. Locate the rail tab. The rail tab is near the idler pulley on the front rail section. Use a flat head screwdriver and lift the rail tab until the tab is vertical (90°).



Assembly

STEP 4 Install the chain

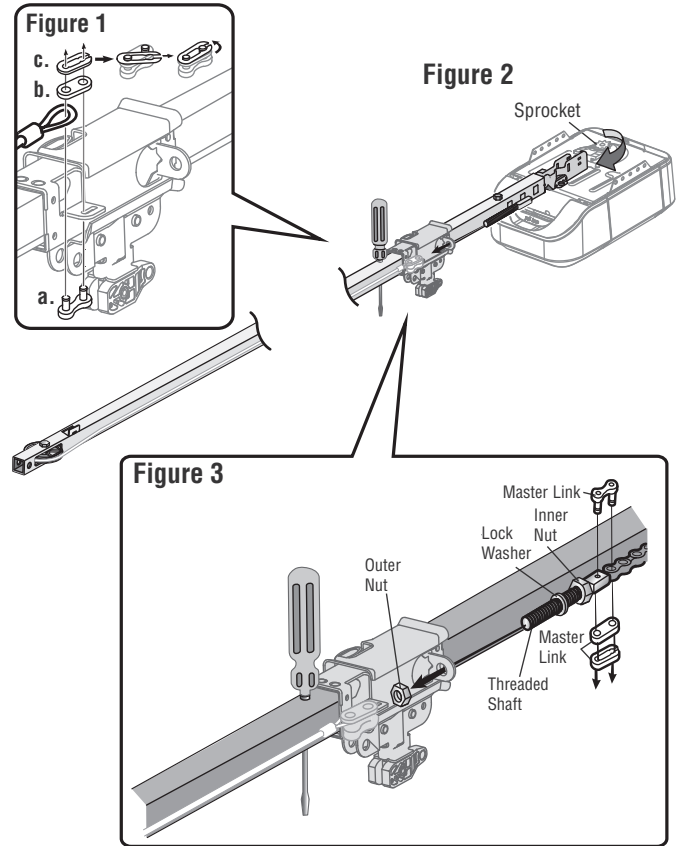
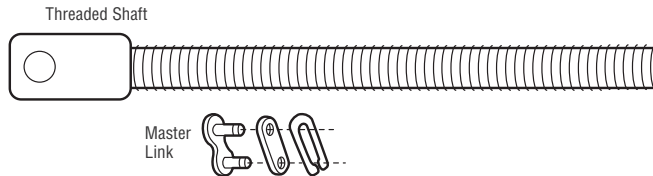
WARNING

To avoid possible **SERIOUS INJURY** to finger from moving garage door opener:

- ALWAYS keep hand clear of sprocket while operating opener.
- Securely attach sprocket cover **BEFORE** operating.

1. Pull the cable around the idler pulley and toward the trolley.
2. Connect the cable to the retaining slot on the trolley, as shown. (Figure 1)
 - a. Push pins of master link bar through cable link and trolley slot.
 - b. Push master link cap over pins and past pin notches.
 - c. Slide the closed end of the clip-on spring over one of the pins. Push the open end of the clip-on spring onto the other pin.
3. With the trolley against the screwdriver, dispense the remainder of the cable/chain along the rail toward the motor unit around the sprocket and continuing to the trolley assembly. The sprocket teeth must engage the chain. (Figure 2)
4. Check to make sure the chain is not twisted, then connect it to the threaded shaft with the remaining master link.
5. Thread the inner nut and lock washer onto the trolley threaded shaft.
6. Insert the trolley threaded shaft through the hole in the trolley. *Be sure the chain is not twisted.* (Figure 3)
7. Loosely thread the outer nut onto the trolley threaded shaft.
8. Remove the screwdriver.

HARDWARE



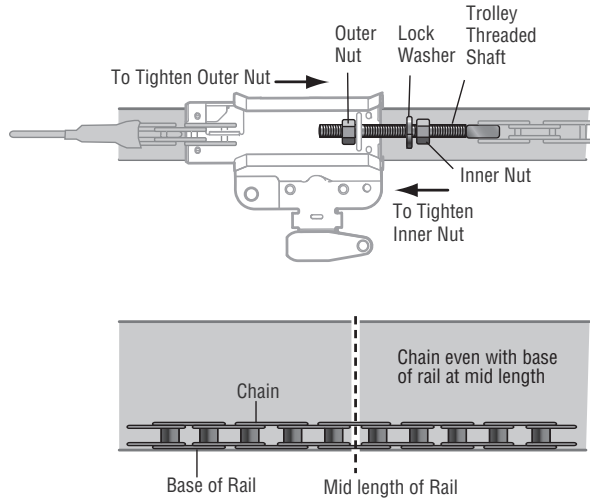
Assembly

STEP 5 Tighten the chain

1. Spin the inner nut and lock washer down the trolley threaded shaft, away from the trolley.
2. To tighten the chain, turn the outer nut in the direction shown.
3. When the chain is approximately even with the base of the rail at its midpoint, re-tighten the inner nut to secure the adjustment. **IMPORTANT:** DO NOT over-tighten the chain.

Sprocket noise can result if chain is too tight or too loose. When installation is complete, you may notice some chain droop with the door closed. This is normal. If the chain returns to the position shown when the door is open, do not re-adjust the chain.

NOTE: During future maintenance, ALWAYS pull the emergency release handle to disconnect the trolley before adjusting the chain.



STEP 6 Install the sprocket cover

WARNING

To avoid possible **SERIOUS INJURY** to finger from moving garage door opener:

- ALWAYS keep hand clear of sprocket while operating opener.
- Securely attach sprocket cover **BEFORE** operating.

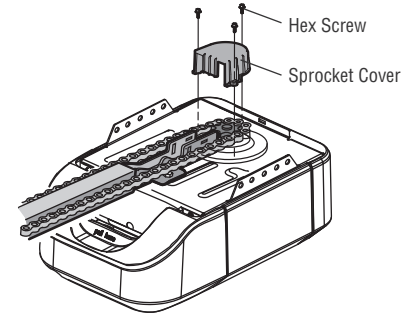
1. Position the sprocket cover over the sprocket as shown and fasten to the mounting plate with 8x3/8" hex screws provided.

You have now finished assembling your garage door opener. Please read the following warnings before proceeding to the installation section.

HARDWARE



Hex Screw #8x3/8"
(Packed with the sprocket cover)



IMPORTANT INSTALLATION INSTRUCTIONS

WARNING

To reduce the risk of SEVERE INJURY or DEATH:

1. READ AND FOLLOW ALL INSTALLATION WARNINGS AND INSTRUCTIONS.
2. Install garage door opener ONLY on properly balanced and lubricated garage door. An improperly balanced door may NOT reverse when required and could result in SEVERE INJURY or DEATH.
3. ALL repairs to cables, spring assemblies and other hardware MUST be made by a trained door systems technician BEFORE installing opener.
4. Disable ALL locks and remove ALL ropes connected to garage door BEFORE installing opener to avoid entanglement.
5. Where possible, install the door opener 7 feet (2.13 m) or more above the floor.
6. Mount the emergency release within reach, but at least 6 feet (1.83 m) above the floor and avoiding contact with vehicles to avoid accidental release.
7. NEVER connect garage door opener to power source until instructed to do so.
8. NEVER wear watches, rings or loose clothing while installing or servicing opener. They could be caught in garage door or opener mechanisms.
9. Install wall-mounted garage door control:
 - within sight of the garage door.
 - out of reach of small children at a minimum height of 5 feet (1.5 m) above floors, landings, steps or any other adjacent walking surface.
 - away from ALL moving parts of the door.
10. Place entrapment warning label on wall next to garage door control in a prominent location.
11. Place emergency release/safety reverse test label in plain view on inside of garage door.
12. Upon completion of installation, test safety reversal system. Door MUST reverse on contact with a 1-1/2" (3.8 cm) high object (or a 2x4 laid flat) on the floor.
13. DO NOT install on a one-piece door if using devices or features providing unattended close. Unattended devices and features are to be used ONLY with sectional doors.

Installation

STEP 1 Determine the header bracket location

WARNING

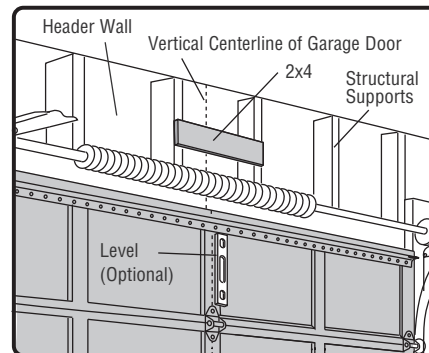
To prevent possible **SERIOUS INJURY** or **DEATH**:

- Header bracket **MUST** be **RIGIDLY** fastened to structural support on header wall or ceiling, otherwise garage door might **NOT** reverse when required. **DO NOT** install header bracket over drywall.
- Concrete anchors **MUST** be used if mounting header bracket or 2x4 into masonry.
- **NEVER** try to loosen, move or adjust garage door, springs, cables, pulleys, brackets, or their hardware, **ALL** of which are under **EXTREME** tension.
- **ALWAYS** call a trained door systems technician if garage door binds, sticks, or is out of balance. An unbalanced garage door might **NOT** reverse when required.

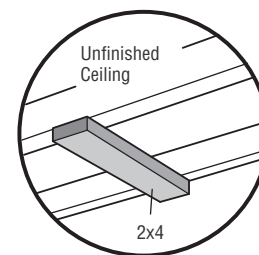
Installation procedures vary according to garage door types. Follow the instructions which apply to your door.

1. Close the door and mark the inside vertical centerline of the garage door.
2. Extend the line onto the header wall above the door. You can fasten the header bracket within 4 feet (1.22 m) of the left or right of the door center only if a torsion spring or center bearing plate is in the way; or you can attach it to the ceiling (see page 13) when clearance is minimal. (It may be mounted on the wall upside down if necessary, to gain approximately 1/2" (1 cm). If you need to install the header bracket on a 2x4 (on wall or ceiling), use lag screws (not provided) to securely fasten the 2x4 to structural supports as shown here and on page 13.
3. Open your door to the highest point of travel as shown. Draw an intersecting horizontal line on the header wall 2" (5 cm) above the high point:
 - 2" (5 cm) above the high point for sectional door and one-piece door with track.
 - 8" (20 cm) above the high point for one-piece door without track.

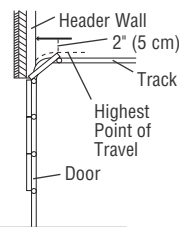
This height will provide travel clearance for the top edge of the door. **NOTE:** If the total number of inches exceeds the height available in your garage, use the maximum height possible, or refer to page 13 for ceiling installation.



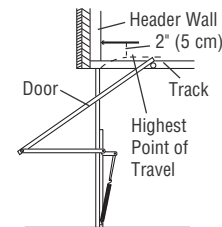
OPTIONAL CEILING MOUNT FOR HEADER BRACKET



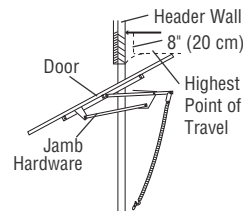
Sectional door with curved track



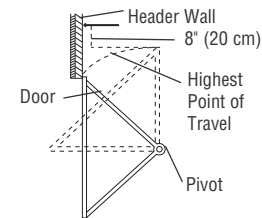
One-piece door with horizontal track



One-piece door without track: jamb hardware



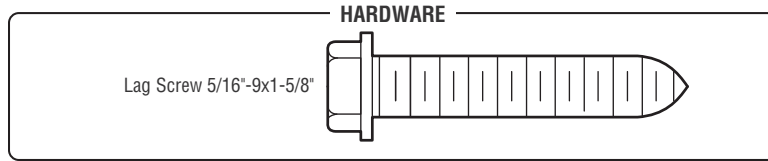
One-piece door without track: pivot hardware



Installation

STEP 2 Install the header bracket

You can attach the header bracket either to the wall above the garage door, or to the ceiling. Follow the instructions which will work best for your particular requirements. **Do not install the header bracket over drywall.** If installing into masonry, use concrete anchors (not provided).



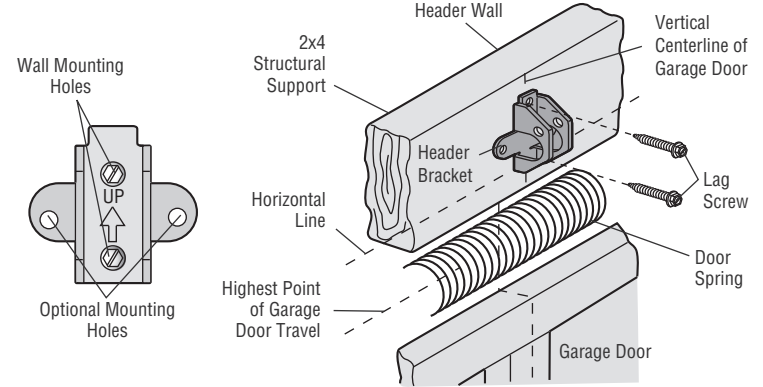
OPTION A - WALL INSTALLATION

1. Center the bracket on the vertical centerline with the bottom edge of the bracket on the horizontal line as shown (with the arrow pointing toward the ceiling).
2. Mark the vertical set of bracket holes. Drill 3/16" pilot holes and fasten the bracket securely to a structural support with the hardware provided.

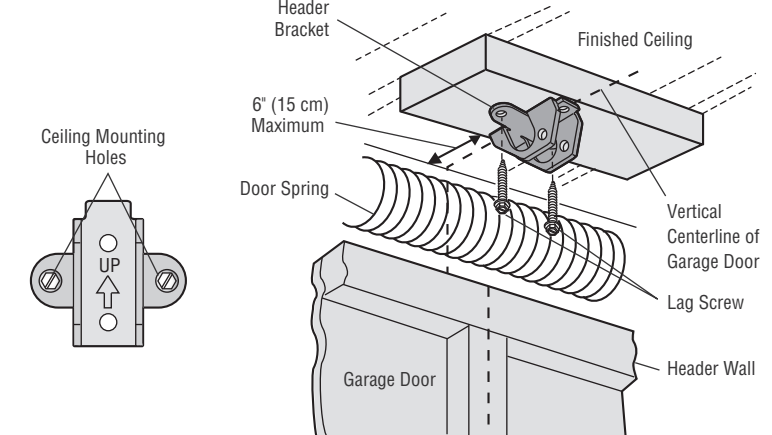
OPTION B - CEILING INSTALLATION

1. Extend the vertical centerline onto the ceiling as shown.
2. Center the bracket on the vertical mark, no more than 6" (15 cm) from the wall. Make sure the arrow is pointing away from the wall. The bracket can be mounted flush against the ceiling when clearance is minimal.
3. Mark the side holes. Drill 3/16" pilot holes and fasten bracket securely to a structural support with the hardware provided.

WALL INSTALLATION



CEILING INSTALLATION

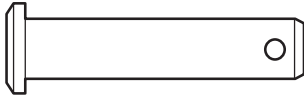


Installation

STEP 3 Attach the rail to the header bracket

1. Position the opener on the garage floor below the header bracket. Use packing material as a protective base.
NOTE: If the door spring is in the way, you will need help. Have someone hold the opener securely on a temporary support to allow the rail to clear the spring.
2. Position the rail bracket against the header bracket.
3. Align the bracket holes and join with a clevis pin as shown.
4. Insert a ring fastener to secure.

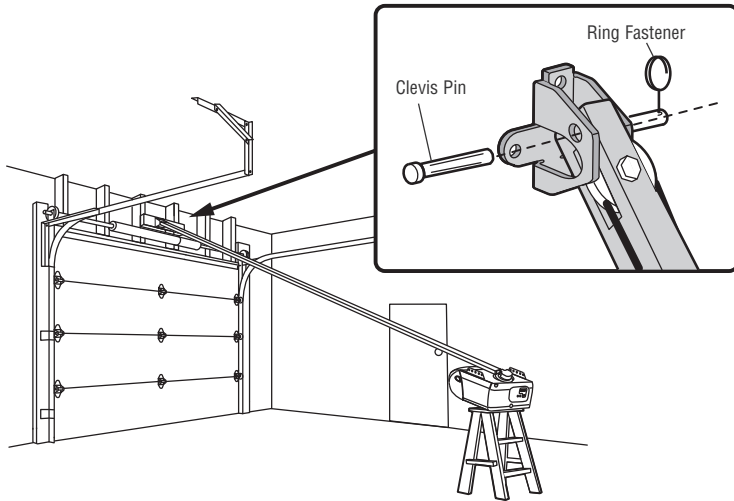
HARDWARE



Clevis Pin
5/16"x1-1/2"



Ring Fastener



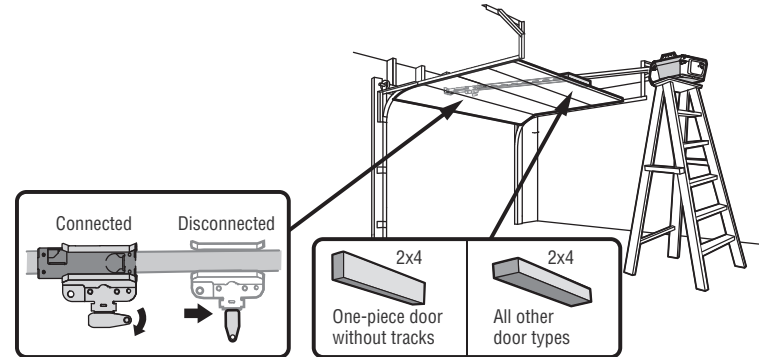
STEP 4 Position the garage door opener

! CAUTION

To prevent damage to garage door, rest garage door opener rail on 2x4 placed on top section of door.

1. Remove the packing material and lift the garage door opener onto a ladder.
2. Fully open the door and place a 2x4 (laid flat) under the rail. For one-piece doors without tracks, lay the 2x4 on its side.

NOTE: A 2x4 is ideal for setting the distance between the rail and the door. If the ladder is not tall enough you will need help at this point. If the door hits the trolley when it is raised, pull the trolley release arm down to disconnect the inner and outer trolley. Slide the outer trolley toward the garage door opener. The trolley can remain disconnected until instructed.



Installation

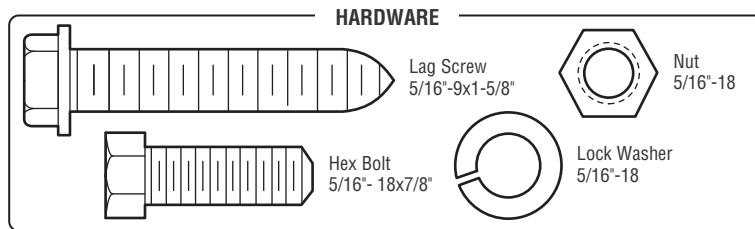
STEP 5 Hang the garage door opener

WARNING

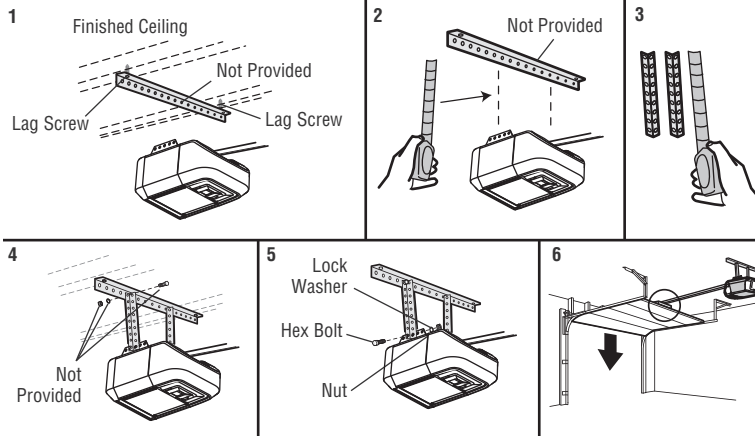
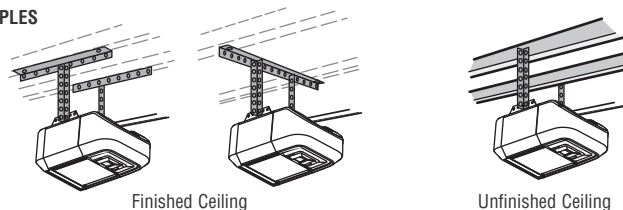
To avoid possible **SERIOUS INJURY** from a falling garage door opener, fasten it **SECURELY** to structural supports of the garage. Concrete anchors **MUST** be used if installing **ANY** brackets into masonry.

Hanging the garage door opener will vary depending on your garage. Below are three example installations. Your installation may be different. For **ALL** installations the garage door opener **MUST** be connected to structural supports. The instructions illustrate one of the examples below.

1. On finished ceilings, use the lag screws to attach a support bracket (not provided) to the structural supports before installing the garage door opener.
2. Make sure the garage door opener is aligned with the header bracket. Measure the distance from each side of the garage door opener to the support bracket.
3. Cut both pieces of the hanging bracket to required lengths.
4. Attach the end of each hanging bracket to the support bracket with appropriate hardware (not provided).
5. Attach the garage door opener to the hanging brackets with the hex bolts, lock washers, and nuts.
6. Remove the 2x4 and manually close the door. If the door hits the rail, raise the header bracket.



EXAMPLES



Installation

STEP 6 Install the light bulb

CAUTION

To prevent possible OVERHEATING of the endpanel or light socket:

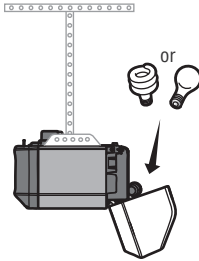
- DO NOT use short neck or specialty light bulbs.
- DO NOT use halogen bulbs. Use ONLY incandescent.

To prevent damage to the opener:

- DO NOT use bulbs larger than 100W.
- ONLY use A19 size bulbs.

1. Pull on the top sides of the light lens and rotate the light lens down.
2. Insert an A19 incandescent (100W maximum) or compact fluorescent (26W, 100W equivalent) light bulb into the light socket.
3. Rotate the lens up to close.

NOTE: Do not use halogen, short neck, or specialty light bulbs as these may overheat the end panel or light socket. Do not use LED bulbs as they may reduce the range or performance of your remote controls.



STEP 7 Attach the emergency release rope and handle

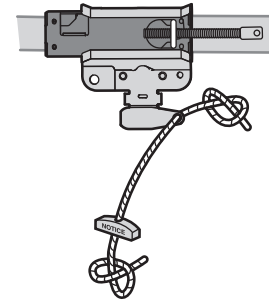
WARNING

To prevent possible SERIOUS INJURY or DEATH from a falling garage door:

- If possible, use emergency release handle to disengage trolley ONLY when garage door is CLOSED. Weak or broken springs or unbalanced door could result in an open door falling rapidly and/or unexpectedly.
- NEVER use emergency release handle unless garage doorway is clear of persons and obstructions.
- NEVER use handle to pull door open or closed. If rope knot becomes untied, you could fall.

1. Insert one end of the emergency release rope through the handle. Make sure that "NOTICE" is right side up. Secure with an overhand knot at least 1" (2.5 cm) from the end of the rope to prevent slipping.
2. Insert the other end of the emergency release rope through the hole in the trolley release arm. Mount the emergency release within reach, but at least 6 feet (1.83 m) above floor, avoiding contact with vehicles to prevent accidental release and secure with an overhand knot.

NOTE: If it is necessary to cut the emergency release rope, seal the cut end with a match or lighter to prevent unraveling. Ensure the emergency release rope and handle are above the top of all vehicles to avoid entanglement.



Installation

STEP 8 Install the door bracket

CAUTION

Fiberglass, aluminum or lightweight steel garage doors **WILL REQUIRE** reinforcement BEFORE installation of door bracket. Contact the garage door manufacturer or installing dealer for opener reinforcement instructions or reinforcement kit. Failure to reinforce the top section as required according to the door manufacturer may void the door warranty.

A horizontal and vertical reinforcement is needed for lightweight garage doors (fiberglass, aluminum, steel, doors with glass panel, etc.) (not provided). A horizontal reinforcement brace should be long enough to be secured to two or three vertical supports. A vertical reinforcement brace should cover the height of the top panel. Contact the garage door manufacturer or installing dealer for opener reinforcement instructions or reinforcement kit.

NOTE: Many door reinforcement kits provide for direct attachment of the clevis pin and door arm. In this case you will not need the door bracket; proceed to the next step.

OPTION A - SECTIONAL DOORS

1. Center door bracket on the previously marked vertical centerline used for header bracket installation. Note correct UP placement, as stamped inside bracket.
2. Position top edge of the bracket 2"-4" (5-10 cm) below top edge of the door, OR directly below any support across top of door.
3. Mark, drill holes and install as follows, depending on your door's construction.

Metal or light weight doors using vertical angle iron brace in the door panel support and the door bracket:

- Drill 3/16" fastening holes. Secure the door bracket using the two 1/4"-14x5/8" self-threading screws. (Figure 1)
- Alternately, use two 5/16"-18x2" bolts, lock washers and nuts (not provided). (Figure 2)

Metal, insulated or light weight factory reinforced doors:

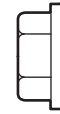
- Drill 3/16" fastening holes. Secure door bracket using self-threading screws. (Figure 3)

Wood doors:

- Use top and bottom or side to side door bracket holes. Drill 5/16" holes through door and secure bracket with 5/16"-18x2" carriage bolts, lock washers and nuts (not provided). (Figure 4)

NOTE: The 1/4"-14x5/8" self-threading screws are not intended for use on wood doors.

HARDWARE



Self-Threading Screw
1/4"-14x5/8"

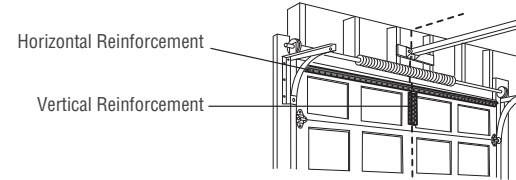


FIGURE 1

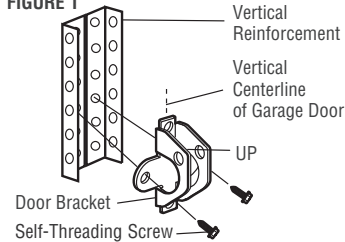


FIGURE 2

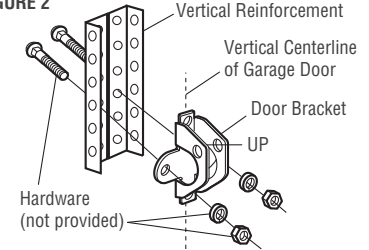


FIGURE 3

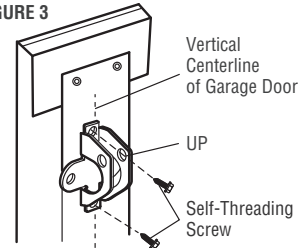
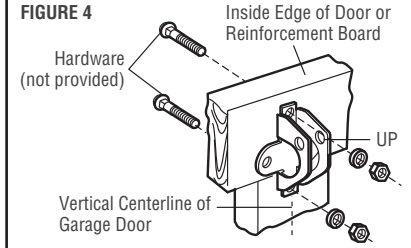


FIGURE 4



Installation

STEP 8 Install the door bracket (continued)

OPTION B - ONE-PIECE DOORS

1. Center the door bracket on the top of the door, in line with the header bracket as shown.
2. Mark either the left and right, or the top and bottom holes.

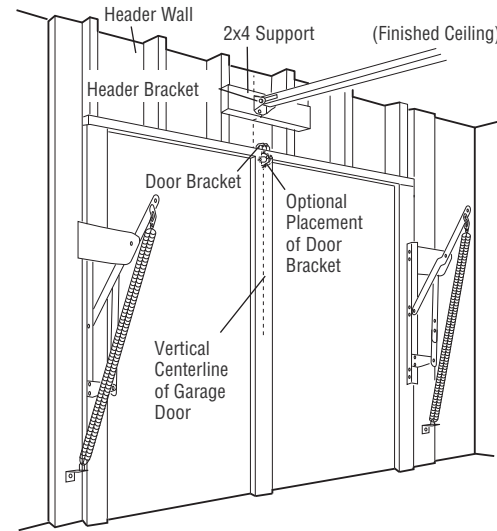
Metal Doors:

- Drill 3/16" pilot holes and fasten the bracket with the self-threading screws provided.

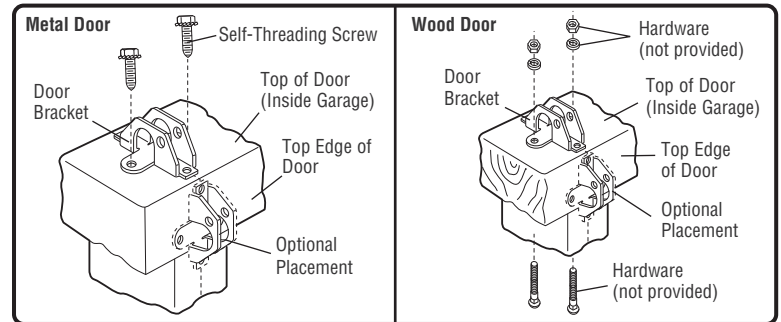
Wood Doors:

- Drill 5/16" holes and use 5/16"-18x2" carriage bolts, lock washers and nuts (not provided) or 5/16"x1-1/2" lag screws (not provided) depending on your installation needs.

NOTE: The door bracket may be installed on the top edge of the door if required for your installation. (Refer to the dotted line optional placement drawing.)



For a door with no exposed framing, or for the optional installation, use lag screws 5/16"x1-1/2" (not provided) to fasten the door bracket.



Installation

STEP 9 Connect the door arm to the trolley

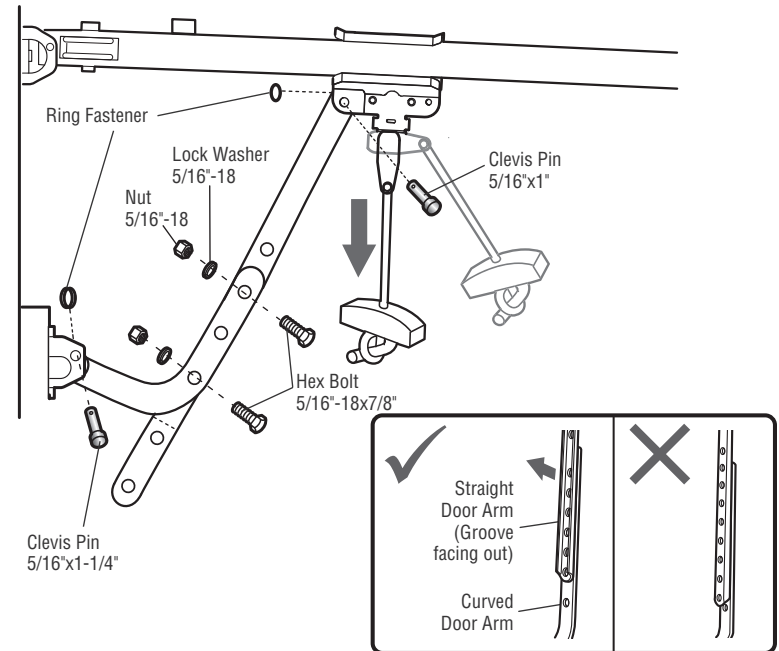
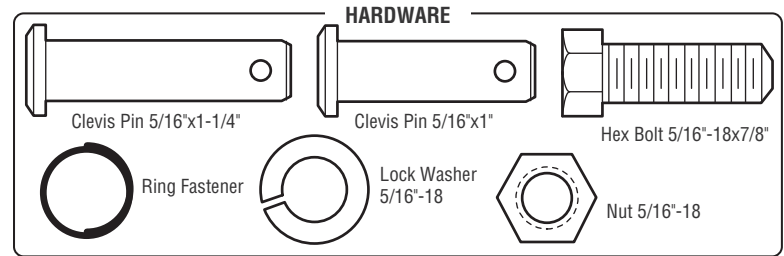
Installation will vary according to the garage door type. Follow the instructions which apply to your door.

OPTION A - SECTIONAL DOORS

IMPORTANT: The groove on the straight door arm **MUST** face away from the curved door arm.

1. Close the door. Disconnect the trolley by pulling the emergency release handle.
2. Attach the straight door arm to the outer trolley using the clevis pin. Secure with the ring fastener.
3. Attach the curved door arm to the door bracket using the clevis pin. Secure with the ring fastener.
4. Bring arm sections together. Find two pairs of holes that line up and join sections. Select holes as far apart as possible to increase door arm rigidity and attach using the bolts, nuts, and lock washers.
5. Pull the emergency release handle toward the garage door opener until the trolley release arm is horizontal. The trolley will re-engage automatically when the garage door opener is activated.

NOTE: If the holes in the curved door arm and the straight door arm do not align, reverse the straight door arm, select two holes (as far apart as possible) and attach using bolts, nuts, and lock washers. If the straight door arm is hanging down too far, you may cut 6" (15 cm) from the solid end.



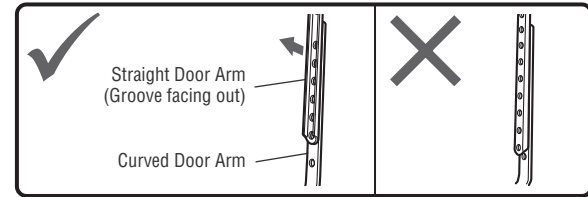
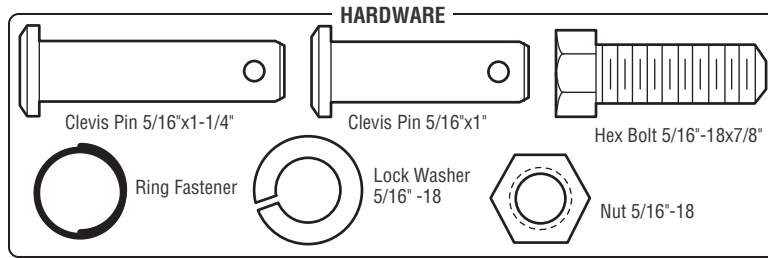
Installation

STEP 9 Connect the door arm to the trolley (continued)

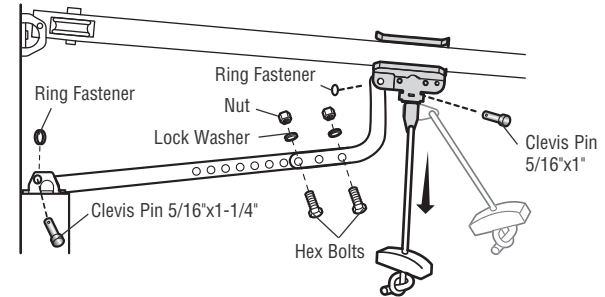
OPTION B - ONE-PIECE DOORS

IMPORTANT: The groove on the straight door arm MUST face away from the curved door arm.

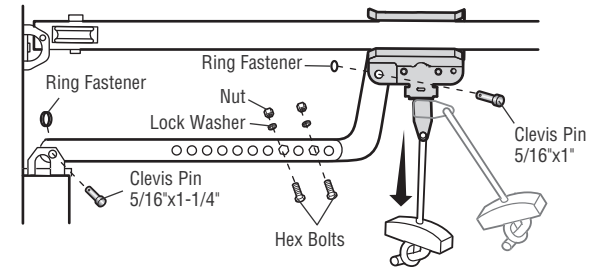
1. Close the door. Disconnect the trolley by pulling the emergency release handle.
2. Fasten the straight door arm and the curved door arm together to the longest possible length (with a 2 or 3 hole overlap) using the bolts, nuts, and lock washers.
3. Attach the straight door arm to the door bracket using the clevis pin. Secure with the ring fastener.
4. Attach the curved door arm to the trolley using the clevis pin. Secure with the ring fastener.
5. Pull the emergency release handle toward the garage door opener until the trolley release arm is horizontal.



One-Piece Door without Track



One-Piece Door with Track



Installation

STEP 10 Install the door control

WARNING

To prevent possible **SERIOUS INJURY** or **DEATH** from electrocution:

- Be sure power is **NOT** connected **BEFORE** installing door control.
- Connect door control **ONLY** to 12 VOLT low voltage wires.

To prevent possible **SERIOUS INJURY** or **DEATH** from a closing garage door:

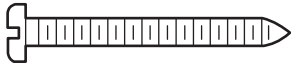
- Install door control within sight of garage door, out of reach of small children at a minimum height of 5 feet (1.5 m) above floors, landings, steps or any other adjacent walking surface, and away from **ALL** moving parts of door.
- **NEVER** permit children to operate or play with door control push buttons or remote control transmitters.
- Activate door **ONLY** when it can be seen clearly, is properly adjusted, and there are no obstructions to door travel.
- **ALWAYS** keep garage door in sight until completely closed. **NEVER** permit anyone to cross path of closing garage door.

INTRODUCTION

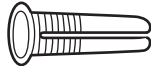
Install the door control within sight of the door at a minimum height of 5 feet (1.5 m) above floors, landings, steps or any other adjacent walking surface, where small children cannot reach, and away from the moving parts of the door.

NOTE: Your product may look different than the illustrations.

HARDWARE



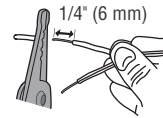
Screw 6ABx1-1/2" (2)



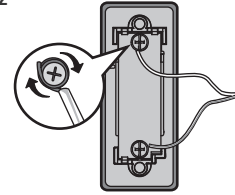
Drywall Anchors (2)

1. Strip 1/4" (6 mm) of insulation from one end of the wire and separate the wires.
2. Connect one wire to each of the two screws on the back of the door control. The wires can be connected to either screw.
3. Mount the door control with the hardware provided.

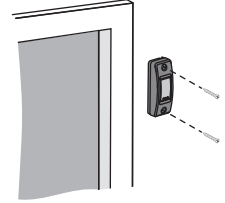
1



2



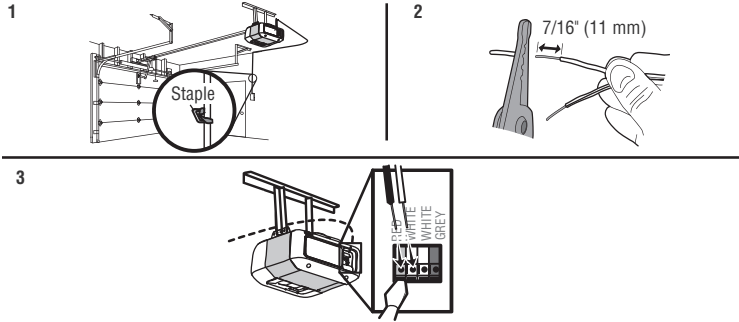
3



Installation

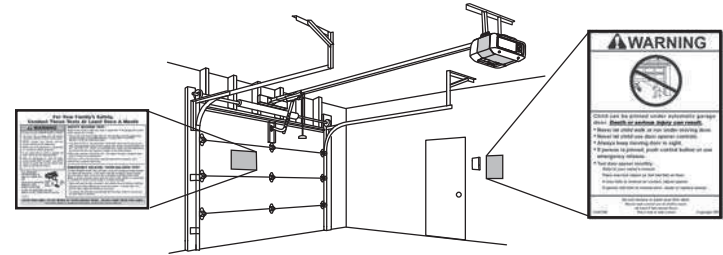
STEP 11 Wire the door control to the garage door opener

1. Run the white and red/white wire from the door control to the garage door opener. Attach the wire to the wall and ceiling with the staple (not applicable for gang box or pre-wired installations). Do not pierce the wire with the staple as this may cause a short or an open circuit.
2. Strip 7/16" (11 mm) of insulation from the end of the wire near the garage door opener.
3. Connect the wire to the red and white terminals on the garage door opener. If your garage is pre-wired make sure you use the same wires that are connected to the door control. To insert or release wires from the terminal, push in the tab with screwdriver tip.



STEP 12 Attach the warning labels

1. Attach the entrapment warning label on the wall near the door control with tacks or staples.
2. Attach the manual release/safety reverse test label in a visible location on the inside of the garage door.



Installation

STEP 13 Install the Protector System®

WARNING

Be sure power is NOT connected to the garage door opener BEFORE installing the safety reversing sensor. To prevent **SERIOUS INJURY** or **DEATH** from closing garage door:

- Correctly connect and align the safety reversing sensor. This required safety device **MUST NOT** be disabled.
- Install the safety reversing sensor so beam is **NO HIGHER** than 6" (15 cm) above garage floor.

IMPORTANT INFORMATION ABOUT THE SAFETY REVERSING SENSORS

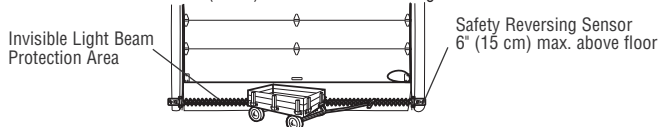
The safety reversing sensors must be connected and aligned correctly before the garage door opener will move in the down direction.

The sending sensor (with an amber LED) transmits an invisible light beam to the receiving sensor (with a green LED). If an obstruction breaks the light beam while the door is closing, the door will stop and reverse to the full open position, and the garage door opener lights will flash 10 times.

NOTE: For energy efficiency the garage door opener will enter sleep mode when the door is fully closed. The sleep mode shuts the garage door opener down until activated. The sleep mode is sequenced with the garage door opener lights; as the lights turn off, the sensor LEDs will turn off and whenever the garage door opener lights turn on, the sensor LEDs will light. The garage door opener will not go into the sleep mode until the garage door opener has completed 5 cycles upon power up.

When installing the safety reversing sensors check the following:

- Sensors are installed inside the garage, one on either side of the door.
- Sensors are facing each other with the lenses aligned and the receiving sensor lens does not receive direct sunlight.
- Sensors are no more than 6" (15 cm) above the floor and the light beam is unobstructed.



Facing the door from inside the garage

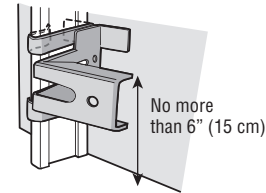


The safety reversing sensors can be attached to the door track, the wall, or the floor. The sensors should be no more than 6" (15 cm) above the floor. If the door track will not support the sensor bracket a wall installation is recommended. Choose one of the following installations.

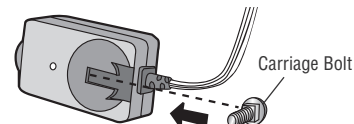
OPTION A - DOOR TRACK INSTALLATION

1. Slide the curved arms of the sensor bracket around the edge of the door track. Snap into place so that the sensor bracket is flush against the track.
2. Slide the carriage bolt into the slot on each sensor.
3. Insert the bolt through the hole in the sensor bracket and attach with the wing nut. The lenses on both sensors should point toward each other. Make sure the lens is not obstructed by the sensor bracket.

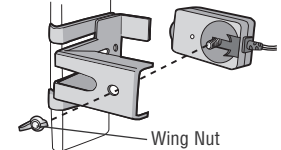
1



2



3



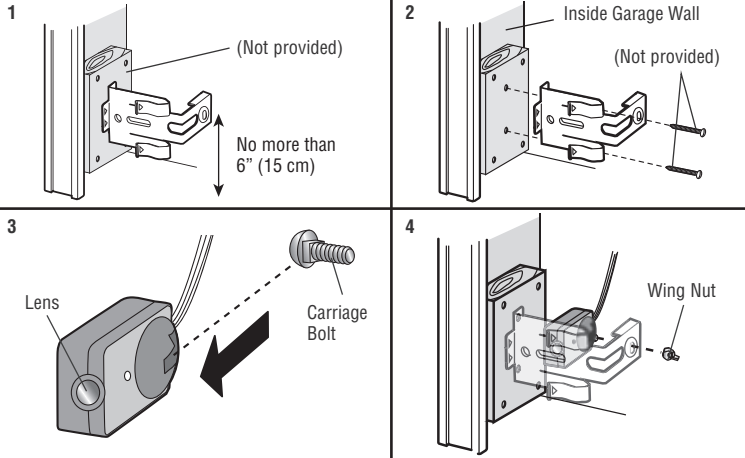
Installation

STEP 13 Install the Protector System (continued)

OPTION B - WALL INSTALLATION

If additional clearance is needed an extension bracket (not provided) or wood blocks can be used. Make sure each bracket has the same amount of clearance so they will align correctly.

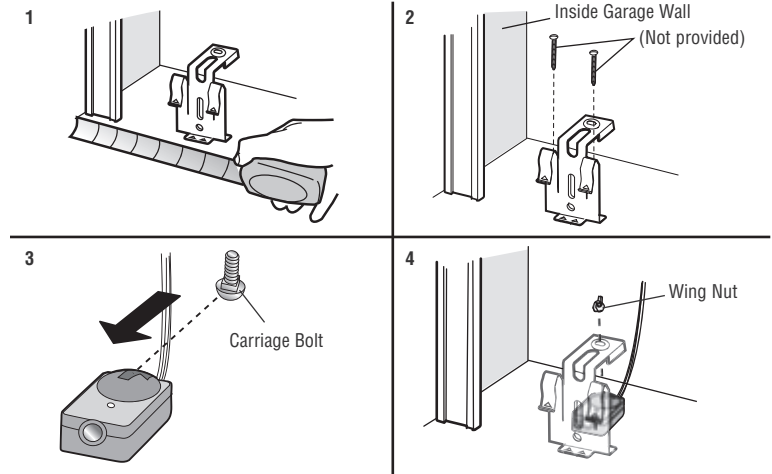
1. Position the sensor bracket against the wall with the curved arms facing the door. Make sure there is enough clearance for the beam to be unobstructed. Mark holes.
2. Drill 3/16-inch pilot holes for each sensor bracket and attach the sensor brackets to the wall using lag screws (not provided).
3. Slide the carriage bolt into the slot on each sensor.
4. Insert the bolt through the hole in the sensor bracket and attach with the wing nut. The lenses on both sensors should point toward each other. Make sure the lens is not obstructed by the sensor bracket.



OPTION C - FLOOR INSTALLATION

Use an extension bracket (not provided) or wood block to raise the sensor bracket if needed.

1. Carefully measure the position of both sensor brackets so they will be the same distance from the wall and unobstructed.
2. Attach the sensor brackets to the floor using concrete anchors (not provided).
3. Slide the carriage bolt into the slot on each sensor.
4. Insert the bolt through the hole in the sensor bracket and attach with the wing nut. The lenses on both sensors should point toward each other. Make sure the lens is not obstructed by the sensor bracket.



Installation

STEP 14 Wire the Safety Reversing Sensors

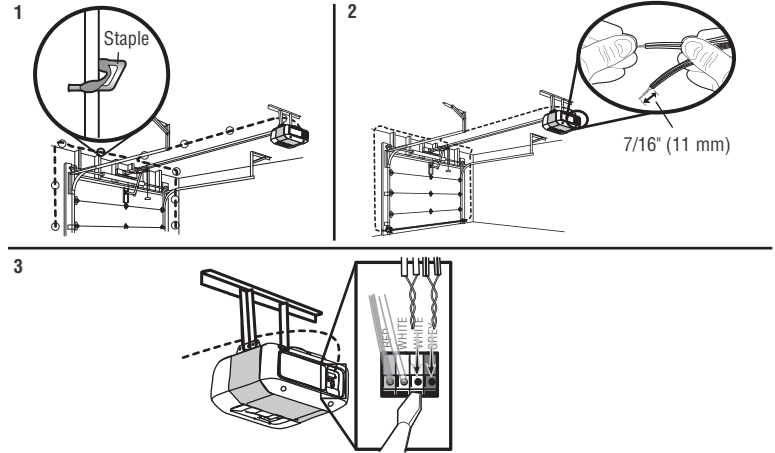
If your garage already has wires installed for the safety reversing sensors, proceed to page 26.

OPTION A INSTALLATION WITHOUT PRE-WIRING

1. Run the wire from both sensors to the garage door opener. Attach the wire to the wall and ceiling with the staples.
2. Strip 7/16" (11 mm) of insulation from each set of wires. Separate the wires. Twist the white wires together. Twist the white/black wires together.
3. Insert the white wires into the white terminal on the garage door opener. Insert the white/black wires into the grey terminal on the garage door opener. To insert or remove the wires from the terminal, push in the tab with a screwdriver tip.

HARDWARE

Insulated Staple (Not Shown)

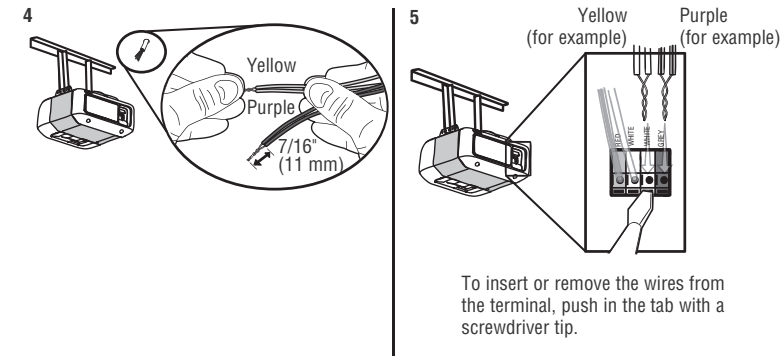
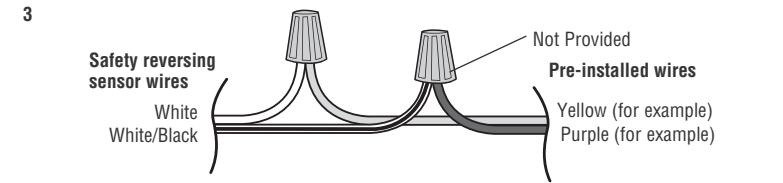
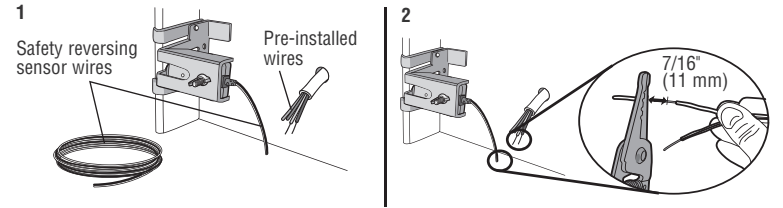


Installation

STEP 14 Wire the Safety Reversing Sensors (continued)

OPTION B PRE-WIRED INSTALLATION

1. Cut the end of the safety reversing sensor wire, making sure there is enough wire to reach the pre-installed wires from the wall.
2. Separate the safety reversing sensor wires and strip 7/16" (11 mm) of insulation from each end. Choose two of the pre-installed wires and strip 7/16" (11 mm) of insulation from each end. Make sure that you choose the same color pre-installed wires for each sensor.
3. Connect the pre-installed wires to the sensor wires with wire nuts making sure the colors correspond for each sensor. For example, the white wire would connect to the yellow wire and the white/black wire would connect to the purple wire.
4. At the garage door opener, strip 7/16" (11 mm) of insulation from each end of the wires previously chosen for the safety reversing sensors. Twist the like-colored wires together.
5. Insert the wires connected to the white safety sensor wires to the white terminal on the garage door opener. Insert the wires that are connected to the white/black safety sensor wires to the grey terminal on the garage door opener.



Installation

STEP 15 Connect power

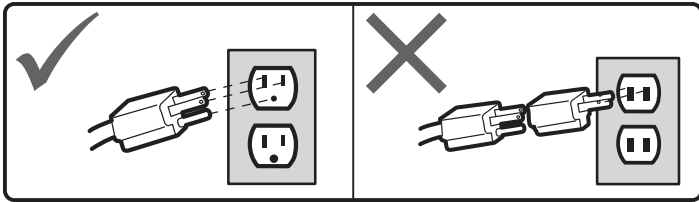
WARNING

To prevent possible **SERIOUS INJURY** or **DEATH** from electrocution or fire:

- Be sure power is **NOT** connected to the opener, and disconnect power to circuit **BEFORE** removing cover to establish permanent wiring connection.
- Garage door installation and wiring **MUST** be in compliance with **ALL** local electrical and building codes.
- **NEVER** use an extension cord, 2-wire adapter, or change plug in **ANY** way to make it fit outlet. Be sure the opener is grounded.

To avoid installation difficulties, do not run the opener at this time.

To reduce the risk of electric shock, your garage door opener has a grounding type plug with a third grounding pin. This plug will only fit into a grounding type outlet. If the plug doesn't fit into the outlet you have, contact a qualified electrician to install the proper outlet.



THERE ARE TWO OPTIONS FOR CONNECTING POWER:

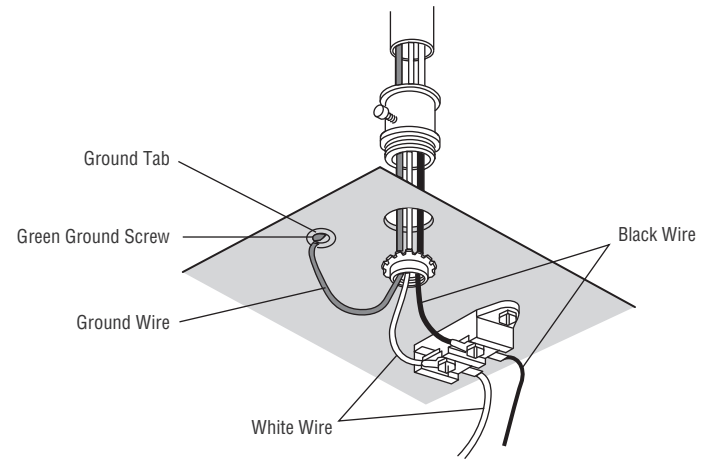
OPTION A - TYPICAL WIRING

1. Plug in the garage door opener into a grounded outlet.
2. **DO NOT** run garage door opener at this time.

OPTION B - PERMANENT WIRING

If permanent wiring is required by your local code, refer to the following procedure. To make a permanent connection through the 7/8-inch hole in the top of the motor unit (according to local code):

1. Remove the motor unit cover screws and set the cover aside.
2. Remove the attached 3-prong cord.
3. Connect the black (line) wire to the screw on the brass terminal; the white (neutral) wire to the screw on the silver terminal; and the ground wire to the green ground screw. **The opener must be grounded.**
4. Reinstall the cover.



Installation

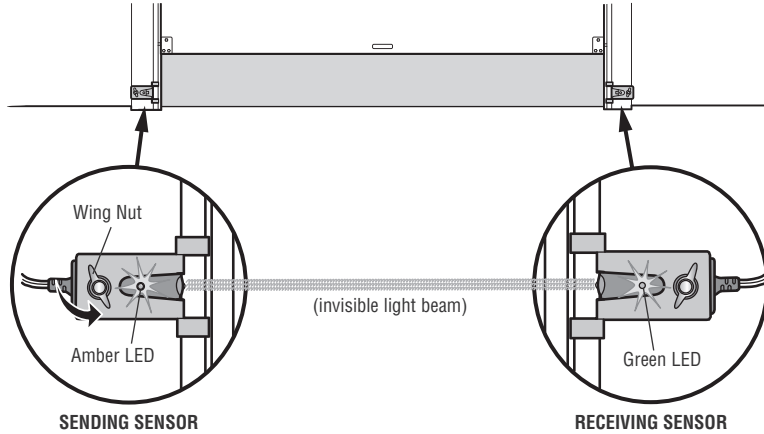
STEP 16 Aligning the safety reversing sensors

The door will not close if the sensors have not been installed and aligned correctly.

When the light beam is obstructed or misaligned while the door is closing, the door will reverse and the garage door opener lights will flash ten times. If the door is already open, it will not close.

1. Check to make sure the LEDs in both sensors are glowing steadily. The LEDs in both sensors will glow steadily if they are aligned and wired correctly.

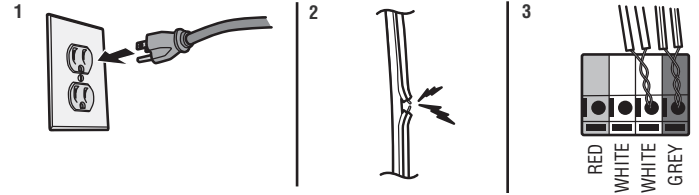
The sensors can be aligned by loosening the wing nuts, aligning the sensors, and tightening the wing nuts.



If the receiving sensor is in direct sunlight, switch it with sending sensor so it is on the opposite side of the door.

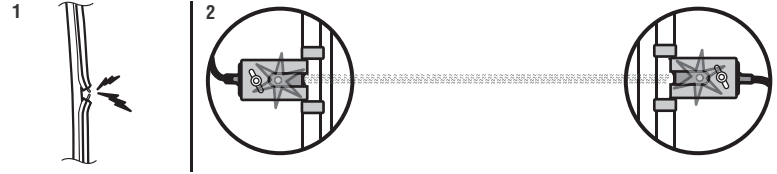
IF THE AMBER LED ON THE SENDING SENSOR IS NOT GLOWING:

1. Make sure there is power to the garage door opener.
2. Make sure the sensor wire is not shorted/broken.
3. Make sure the sensor has been wired correctly: white wires to white terminal and white/black wires to grey terminal.



IF THE GREEN LED ON THE RECEIVING SENSOR IS NOT GLOWING:

1. Make sure the sensor wire is not shorted/broken.
2. Make sure the sensors are aligned.



STEP 17 Ensure the door control is wired correctly

The LED behind the push button on the door control will blink if installed correctly.

Adjustments

Introduction

WARNING

Without a properly installed safety reversal system, persons (particularly small children) could be **SERIOUSLY INJURED** or **KILLED** by a closing garage door.

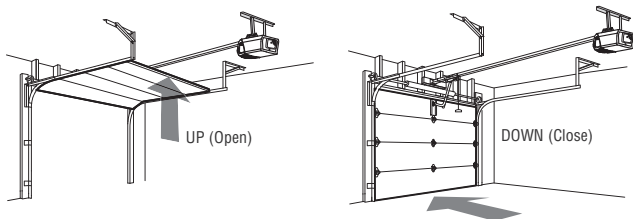
- Incorrect adjustment of garage door travel limits will interfere with proper operation of safety reversal system.
- After **ANY** adjustments are made, the safety reversal system **MUST** be tested. Door **MUST** reverse on contact with 1-1/2" (3.8 cm) high object (or 2x4 laid flat) on floor.

CAUTION

To prevent damage to vehicles, be sure fully open door provides adequate clearance.

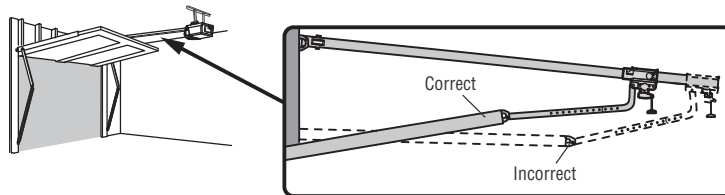
Your garage door opener is designed with electronic controls to make setup and adjustments easy. The adjustments allow you to program where the door will stop in the open (UP) and close (DOWN) position. The electronic controls sense the amount of force required to open and close the door. The force is adjusted automatically when you program the travel.

NOTE: If anything interferes with the door's upward travel it will stop. If anything interferes with the door's downward travel, it will reverse.



One-Piece Doors Only

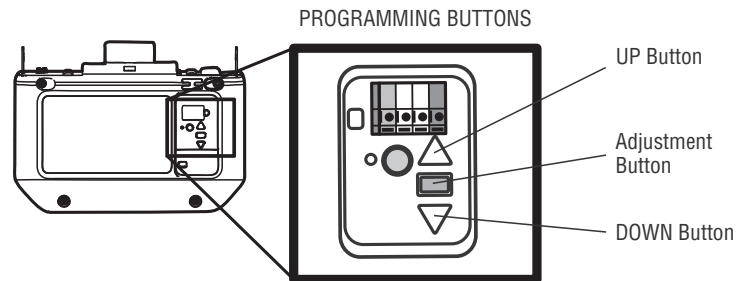
When setting the UP travel for a one-piece door ensure that the door does not slant backwards when fully open (UP). If the door is slanted backwards this will cause unnecessary bucking and/or jerking when the door is opening or closing.



Programming Buttons

PROGRAMMING BUTTONS

The programming buttons are located on the back panel of the garage door opener and are used to program the travel. While programming, the UP and DOWN buttons can be used to move the door as needed.



Adjustments

STEP 1 Program the Travel

WARNING

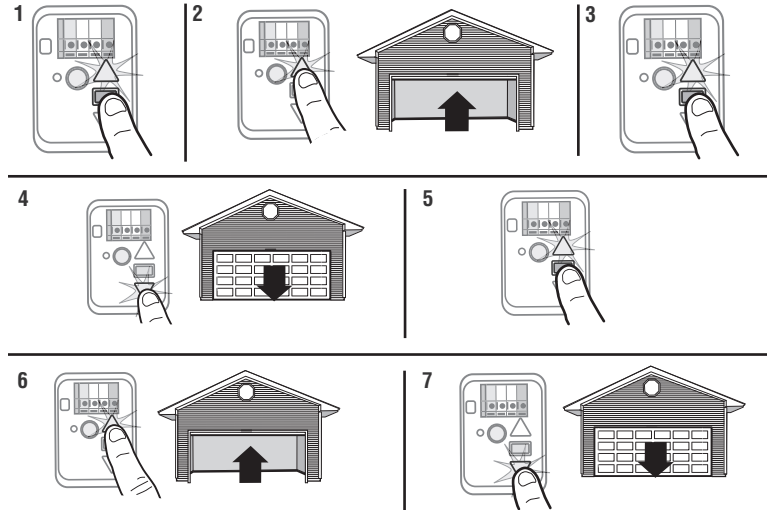
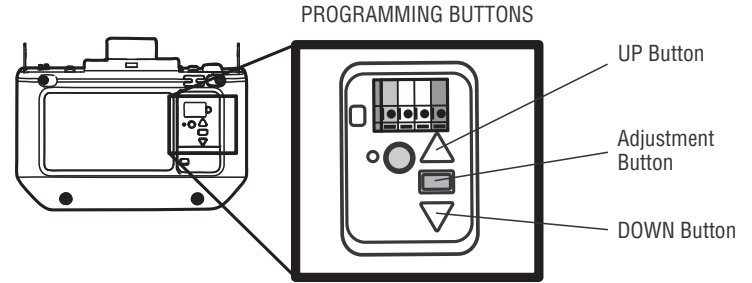
Without a properly installed safety reversal system, persons (particularly small children) could be **SERIOUSLY INJURED** or **KILLED** by a closing garage door.

- Incorrect adjustment of garage door travel limits will interfere with proper operation of safety reversal system.
- After ANY adjustments are made, the safety reversal system **MUST** be tested. Door **MUST** reverse on contact with 1-1/2" (3.8 cm) high object (or 2x4 laid flat) on floor.

While programming, the UP and DOWN buttons can be used to move the door as needed.

1. Press and hold the Adjustment Button until the UP Button begins to flash and/or a beep is heard.
2. Press and hold the UP Button until the door is in the desired UP position.
3. Once the door is in the desired UP position press and release the Adjustment Button. The garage door opener lights will flash twice and the DOWN Button will begin to flash.
4. Press and hold the DOWN button until the door is in the desired DOWN position.>
5. Once the door is in the desired DOWN position press and release the Adjustment Button. The garage door opener lights will flash twice and the UP Button will begin to flash.
6. Press and release the UP Button. When the door travels to the programmed UP position, the DOWN Button will begin to flash.
7. Press and release the DOWN Button. The door will travel to the programmed DOWN position. Programming is complete.

* If the garage door opener lights are flashing 5 times during the steps for Program the Travel, the programming has timed out. If the garage door opener lights are flashing 10 times during the steps for Program the Travel, the safety reversing sensors are misaligned or obstructed (refer to page 28). When the sensors are aligned and unobstructed, cycle the door through a complete up and down cycle using the remote control or the UP and DOWN buttons. Programming is complete. If you are unable to operate the door up and down, repeat the steps for Programming the Travel.



To watch a video, go to tinyurl.com/kwbhbj

Adjustments

STEP 2 Test the Safety Reversal System

WARNING

Without a properly installed safety reversal system, persons (particularly small children) could be **SERIOUSLY INJURED** or **KILLED** by a closing garage door.

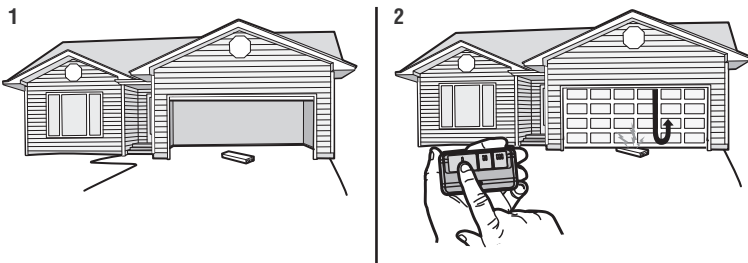
- Safety reversal system **MUST** be tested every month.
- After **ANY** adjustments are made, the safety reversal system **MUST** be tested. Door **MUST** reverse on contact with 1-1/2" (3.8 cm) high object (or 2x4 laid flat) on the floor.

1. With the door fully open, place a 1-1/2" (3.8 cm) board (or a 2x4 laid flat) on the floor, centered under the garage door.
2. Press the remote control push button to close the door. The door **MUST** reverse when it makes contact with the board.

If the door stops but does not reverse:

1. Review the installation instructions provided to insure all steps were followed;
2. Repeat Program the Travel (see Adjustment Step 1);
3. Repeat the Safety Reversal test.

If the test continues to fail, call a trained door systems technician.



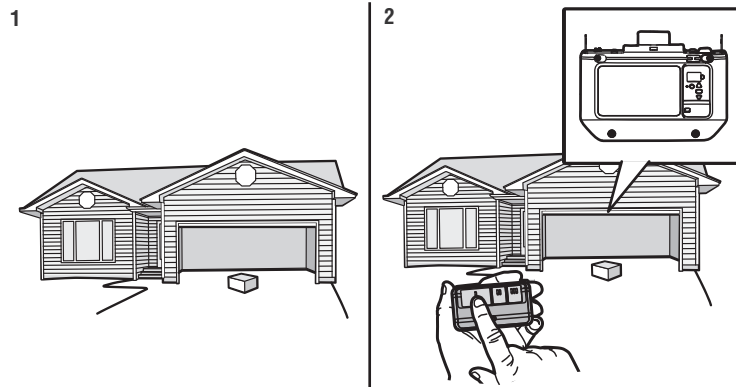
STEP 3 Test the Protector System

WARNING

Without a properly installed safety reversing sensor, persons (particularly small children) could be **SERIOUSLY INJURED** or **KILLED** by a closing garage door.

1. Open the door. Place the garage door opener carton in the path of the door.
2. Press the remote control push button to close the door. The door will not move more than 1" (2.5 cm), and the garage door opener lights will flash 10 times.

The garage door opener will not close from a remote control if the LED in either safety reversing sensor is off (alerting you to the fact that the sensor is misaligned or obstructed). If the garage door opener closes the door when the safety reversing sensor is obstructed (and the sensors are no more than 6" [15 cm] above the floor), call for a trained door systems technician.



Battery Backup

STEP 1 Install the Battery

WARNING

To reduce the risk of FIRE or INJURY to persons:

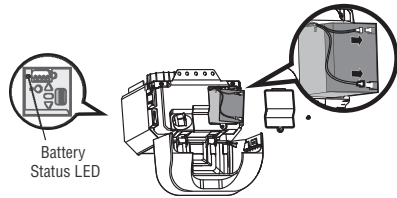
- Disconnect ALL electric and battery power BEFORE performing ANY service or maintenance.
- Use ONLY Chamberlain part # 041A6357-1 for replacement battery.
- DO NOT dispose of battery in fire. Battery may explode. Check with local codes for disposal instructions.

CAUTION

ALWAYS wear protective gloves and eye protection when changing the battery or working around the battery compartment.

The battery backup allows access in and out of your garage, even when the power is out. The battery does not have to be fully charged to operate the garage door opener. When the garage door opener is operating on battery power, it will run slower and the battery status LED will glow solid orange, a beep will sound approximately every 2 seconds. The following features are unavailable when operating on battery power:

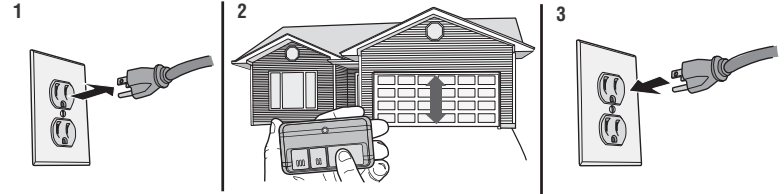
- Garage Door Opener Lights
- Unattended close devices and features (e.g. myQ Smartphone Control and Timer-to-Close)



1. Unplug the garage door opener.
2. Open the light lens of the garage door opener. Use a Phillips head screwdriver to remove the battery cover on the garage door opener.
3. Partially insert the battery into the battery compartment with the terminals facing out.
4. Connect red (+) and black (-) wires from the garage door opener to the corresponding terminals on the battery.
5. Replace the battery cover.
6. Plug in the garage door opener.
7. Wait for the green Battery Status LED to start flashing before proceeding to test the battery.

STEP 2 Test the Battery

1. Unplug the garage door opener. The battery status LED will either glow solid orange indicating opener is operating on battery power or will flash indicating low battery power. **NOTE: Make sure the garage door opener is unplugged.**
2. Open and close the door using the remote control or door control. The garage door opener may run slower if the battery is not fully charged. The battery will take 24 hours to fully charge.
3. Plug in the garage door opener. Verify the battery status LED is flashing green, indicating the battery is charging.



Charge the Battery

The battery charges when the garage door opener is plugged into a 120 Vac electrical outlet that has power and requires 24 hours to fully charge. A fully charged battery supplies 12 Vdc to the garage door opener for one to two days of normal operation during an electrical power outage. After the electrical power has been restored, the battery will recharge within 24 hours. The battery will last approximately 1 to 2 years with normal usage. Instructions for replacement are provided with the battery. To obtain maximum battery life and prevent damage, disconnect the battery when the garage door opener is unplugged for an extended period of time, such as a summer or winter home.

NOTE: When the garage door opener is in battery backup mode the garage door opener lights, Timer-to-Close, and Remote Close features are unavailable.

myQ® Smartphone Control

Connect With Your Smartphone

You will need:

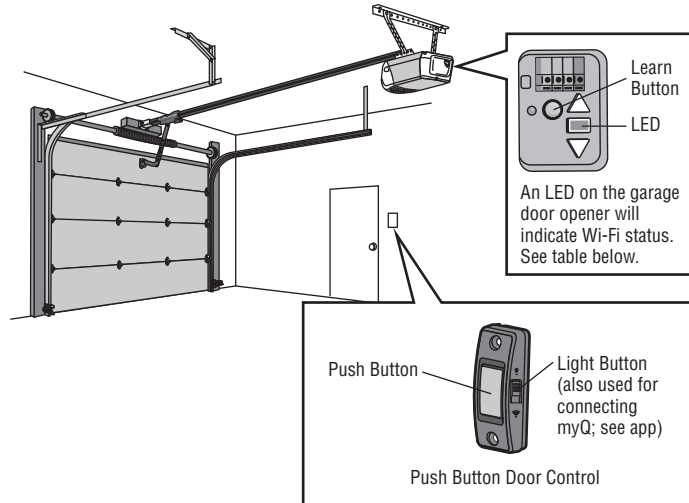
- Wi-Fi enabled smartphone, tablet or laptop
- Broadband Internet Connection
- Wi-Fi signal in the garage (**2.4 Ghz, 802.11b/g/n required**), see page page 3
- Password for your home network (router's main account, not guest network)
- myQ serial number located on the garage door opener

Download the myQ App to Set Up an Account and Connect

Open and close your door, get alerts and set schedules from anywhere. Connected smart garage door openers also receive software updates to ensure the opener has the latest operational features.

1. Download the myQ App.
2. Set up an account and connect.

For more information on connecting your garage door opener, visit support.chamberlaingroup.com.



Wi-Fi Status	
LED	Definition
Blue	Off - Wi-Fi is not turned on. Blinking - Garage door opener is in Wi-Fi learn mode. Solid - Mobile device connected to the garage door opener.
Blue and Green	Blinking - Attempting to connect to router.
Green	Blinking - Attempting to connect to the Internet server. Solid - Wi-Fi has been set up and garage door opener is connected to the internet.

NOTES:

The myQ Smartphone Control WILL NOT work if the garage door opener is operating on battery power.

To erase the Wi-Fi settings, see page page 37.

IMPORTANT SAFETY INSTRUCTIONS



To reduce the risk of SEVERE INJURY or DEATH:

1. READ AND FOLLOW ALL WARNINGS AND INSTRUCTIONS.
2. ALWAYS keep remote controls out of reach of children. NEVER permit children to operate or play with garage door control push buttons or remote controls.
3. ONLY activate garage door when it can be seen clearly, it is properly adjusted, and there are no obstructions to door travel.
4. ALWAYS keep garage door in sight and away from people and objects until completely closed. NO ONE SHOULD CROSS THE PATH OF THE MOVING DOOR.
5. NO ONE SHOULD GO UNDER A STOPPED, PARTIALLY OPENED DOOR.
6. If possible, use emergency release handle to disengage trolley ONLY when garage door is CLOSED. Use caution when using this release with the door open. Weak or broken springs or unbalanced door could result in an open door falling rapidly and/or unexpectedly and increasing the risk of SEVERE INJURY or DEATH.
7. NEVER use emergency release handle unless garage doorway is clear of persons and obstructions.
8. NEVER use handle to pull garage door open or closed. If rope knot becomes untied, you could fall.
9. After ANY adjustments are made, the safety reversal system MUST be tested.
10. Safety reversal system MUST be tested every month. Garage door MUST reverse on contact with 1-1/2" (3.8 cm) high object (or a 2x4 laid flat) on the floor. Failure to adjust the garage door opener properly increases the risk of SEVERE INJURY or DEATH.
11. ALWAYS KEEP GARAGE DOOR PROPERLY BALANCED (see page 2). An improperly balanced door may NOT reverse when required and could result in SEVERE INJURY or DEATH.
12. ALL repairs to cables, spring assemblies and other hardware, ALL of which are under EXTREME tension, MUST be made by a trained door systems technician.
13. ALWAYS disconnect electric and battery power to garage door opener BEFORE making ANY repairs or removing covers.
14. This operator system is equipped with an unattended operation feature. The door could move unexpectedly. NO ONE SHOULD CROSS THE PATH OF THE MOVING DOOR.
15. DO NOT install on a one-piece door if using devices or features providing unattended close. Unattended devices and features are to be used ONLY with sectional doors.

16. SAVE THESE INSTRUCTIONS.

Operation

Features

Your garage door opener is equipped with features to provide you with greater control over your garage door operation.

myQ

The Wi-Fi Garage Door Opener is compatible with up to 16 myQ enabled accessories. Up to 10 devices can be paired to the Wi-Fi garage door opener's internal gateway. These devices can be controlled with the myQ app. These devices include any combination of myQ garage door openers, Wi-Fi garage door openers, and myQ light controls. Up to 6 devices can be paired to garage door opener itself (controlled by garage door opener through 900MHz). These devices include any combination of myQ light controls or a garage door and gate monitor.

TIMER-TO-CLOSE (DO NOT enable on one-piece doors)

The Timer-to-Close feature is not available on all door controls. Below is a list of door controls with the Timer-to-Close feature:

041A7305-1 Smart Control Panel and 041A7327-1 Motion Detecting Control Panel

The Timer-to-Close feature automatically closes the garage door after a specified time period. **DO NOT enable TTC if operating a one-piece door. TTC is to be used ONLY with sectional doors.** Factory default is set to off. The garage door opener will beep and the lights will flash before closing the door. The TTC feature will deactivate if the garage door encounters an obstruction twice; or the safety reversing sensors are incorrectly installed. The garage door will reverse open and WILL NOT close until the obstructions are clear or the safety reversing sensors are correctly installed. When the obstruction has been cleared or the safety reversing sensors have been aligned, the door will close when the garage door opener is activated. TTC WILL NOT work if the garage door opener is operating by battery power or if the safety reversing sensors are misaligned. This feature is NOT intended to be the primary method of closing the door. **A keyless entry should be installed in the event of an accidental lock out when using this feature.**

REMOTE CONTROLS AND DOOR CONTROLS

Your garage door opener has already been programmed at the factory to operate with your remote control, which changes with each use, randomly accessing over 100 billion new codes.

myQ Accessories	MEMORY CAPACITY
Remote Controls	Up to 8
Door Controls	Up to 2 myQ door controls
Keyless Entries	Up to 1

THE PROTECTOR SYSTEM® (SAFETY REVERSING SENSORS)

When properly connected and aligned, the safety reversing sensors will detect an obstruction in the path of the infrared beam. If an obstruction breaks the infrared beam while the door is closing, the door will stop and reverse to full open position, and the opener lights will flash 10 times. If the door is fully open, and the safety reversing sensors are not installed, or are misaligned, the door will not close from a remote control. However, you can close the door if you hold the button on the door control or keyless entry until the door is fully closed. The safety reversing sensors do not effect the opening cycle.

ENERGY CONSERVATION

For energy efficiency the garage door opener will enter sleep mode when the door is fully closed. The sleep mode shuts the garage door opener down until activated. The sleep mode is sequenced with the garage door opener light bulb; as the light bulb turns off the sensor LEDs will turn off and whenever the garage door opener lights turn on the sensor LEDs will light. The garage door opener will not go into the sleep mode until the garage door opener has completed 5 cycles upon power up.

LIGHTS

The garage door opener light bulbs will turn on when the opener is initially plugged in; power is restored after interruption, or when the garage door opener is activated. The lights will turn off automatically after 4-1/2 minutes. An incandescent A19 light bulb (100W maximum) or for maximum energy efficiency a 26W (100W equivalent) compact fluorescent light (CFL) bulb may be used. **NOTE: Do not use halogen, short neck, or specialty light bulbs as these may overheat the end panel or light socket. Do not use LED bulbs as they may reduce the range or performance of your remote controls.**

Light Feature

The garage door opener is equipped with an added feature; the lights will turn on when someone enters through the open garage door and the safety reversing sensor infrared beam is broken.

Operation

Using your Garage Door Opener

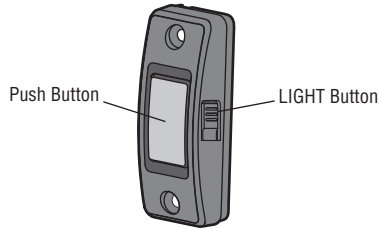
The garage door opener can be activated through a wall-mounted door control, remote control, wireless keyless entry or myQ accessory.

When the door is closed and the garage door opener is activated the door will open. If the door senses an obstruction or is interrupted while opening the door will stop. When the door is in any position other than closed and the garage door opener is activated the door will close. If the garage door opener senses an obstruction while closing, the door will reverse. If the obstruction interrupts the sensor beam the garage door opener lights will blink 10 times. However, you can close the door if you hold the button on the door control or keyless entry until the door is fully closed.

The safety reversing sensors do not affect the opening cycle. The safety reversing sensor must be connected and aligned correctly before the garage door opener will move in the down direction.

Push Button Door Control

SYNCHRONIZE THE DOOR CONTROL: To synchronize the door control to the garage door opener, press the push button until the garage door opener activates (it may take up to 3 presses).



Remote Control and Keyless Entry

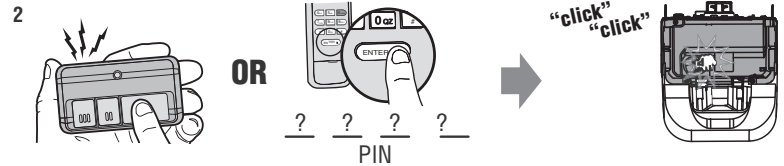
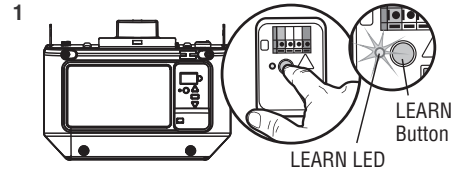
Pre-programmed remote control included, no need to program the remote.

To add or reprogram a remote control, follow the instructions below. Older Chamberlain remote controls are NOT compatible, see page 41 for compatible accessories.

PROGRAM USING THE DOOR CONTROL

1. Press and immediately release the Learn button.
2. **Remote Control:** Press and hold the button on the remote control that you wish to use.
Keyless Entry: Enter a 4-digit personal identification number (PIN) of your choice on the keyless entry keypad. Then press the ENTER button.

The garage door opener lights will flash (or two clicks will be heard) when the code has been programmed. Repeat the steps for programming additional remote controls or keyless entry devices.



To watch a video, go to tinyurl.com/lcsf6xt

HomeLink®

If your vehicle is equipped with HomeLink, a Compatibility Bridge™ (not included) may be necessary for certain vehicles. Visit bridge.chamberlain.com to find out if a Bridge is needed.

Operation

To Erase the Memory

ERASE ALL REMOTE CONTROLS AND KEYLESS ENTRIES

1. Press and hold the LEARN button on garage door opener until the learn LED goes out (approximately 6 seconds). All remote control and keyless entry codes are now erased. Reprogram any accessory you wish to use.

ERASE ALL REMOTE CONTROLS, KEYLESS ENTRIES AND myQ DEVICES FROM GARAGE DOOR OPENER

1. Press and hold the LEARN button on garage door opener until the learn LED goes out (approximately 6 seconds).
2. Immediately press and hold the LEARN button again until the learn LED goes out. All codes are now erased. Reprogram any accessory you wish to use.

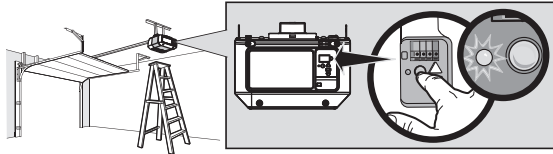
ERASE THE CONNECTION FROM GARAGE DOOR OPENER TO HOME WI-FI NETWORK

1. Press and hold the black adjustment button on the garage door opener until 3 beeps are heard (Approximately 6 seconds).

ERASE A myQ ACCOUNT

1. Go to www.mychamberlain.com to access your myQ account.
2. Go to "Account" section.
3. Click "Delete Account".

Go to support.chamberlaingroup.com for more details.



To Open the Door Manually

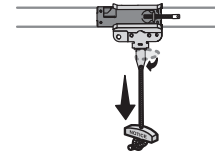
WARNING

To prevent possible **SERIOUS INJURY** or **DEATH** from a falling garage door:

- If possible, use emergency release handle to disengage trolley **ONLY** when garage door is **CLOSED**. Weak or broken springs or unbalanced door could result in an open door falling rapidly and/or unexpectedly.
- **NEVER** use emergency release handle unless garage doorway is clear of persons and obstructions.
- **NEVER** use handle to pull door open or closed. If rope knot becomes untied, you could fall.

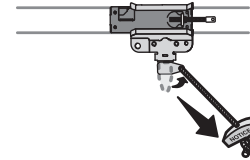
DISCONNECT THE TROLLEY

1. The door should be fully closed if possible.
2. Pull down on the emergency release handle so the trolley release arm snaps to the vertical position. The door can now be raised and lowered as often as necessary.



TO RE-CONNECT THE TROLLEY

1. Pull the emergency release handle toward the garage door opener so the trolley release arm snaps to the horizontal position. The trolley will reconnect on the next UP or DOWN operation, either manually or by using the door control or remote control.



Maintenance

Maintenance Schedule

EVERY MONTH

- Manually operate door. If it is unbalanced or binding, call a trained door systems technician.
- Check to be sure door opens and closes fully. Adjust if necessary, see page 29.
- Test the safety reversal system. Adjust if necessary, see page 31.

EVERY YEAR

- Oil door rollers, bearings and hinges. The garage door opener does not require additional lubrication. Do not grease the door tracks.
- Test the battery backup and consider replacing the battery to ensure the garage door opener will operate during an electrical power outage, see page 32 to test the battery backup.

NOTICE: This device complies with Part 15 of the FCC rules and Industry Canada's license-exempt RSSs. Operation is subject to the following two conditions: (1) this device may not cause harmful interference, and (2) this device must accept any interference received, including interference that may cause undesired operation. Any changes or modifications not expressly approved by the party responsible for compliance could void the user's authority to operate the equipment.

This device must be installed to ensure a minimum 20 cm (8 in.) distance is maintained between users/bystanders and device.

This device has been tested and found to comply with the limits for a Class B digital device, pursuant to part 15 of the FCC rules and Industry Canada ICES standard. These limits are designed to provide reasonable protection against harmful interference in a residential installation. This equipment generates, uses and can radiate radio frequency energy and, if not installed and used in accordance with the instructions, may cause harmful interference to radio communications. However, there is no guarantee that interference will not occur in a particular installation. If this equipment does cause harmful interference to radio or television reception, which can be determined by turning the equipment off and on, the user is encouraged to try to correct the interference by one or more of the following measures:

- Reorient or relocate the receiving antenna.
- Increase the separation between the equipment and receiver.
- Connect the equipment into an outlet on a circuit different from that to which the receiver is connected.
- Consult the dealer or an experienced radio/TV technician for help.

The Remote Control Battery



To prevent possible **SERIOUS INJURY** or **DEATH**:

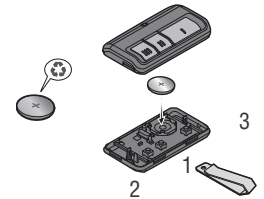
- **NEVER** allow small children near batteries.
- If battery is swallowed, immediately notify doctor.

To reduce risk of fire, explosion or chemical burn:

- Replace **ONLY** with 3V CR2032 coin batteries.
- **DO NOT** recharge, disassemble, heat above 212°F (100°C) or incinerate.

The 3V CR2032 Lithium battery should produce power for up to 3 years. If the battery is low, the remote control's LED will not flash when the button is pressed.

To replace battery, pry open the case first in the middle (1), then at each side (2 and 3) with the visor clip. Replace the batteries with only 3V CR2032 coin cell batteries. Insert battery positive side up. Dispose of old batteries properly.



Troubleshooting

Diagnostic Chart

Your garage door opener is programmed with self-diagnostic capabilities. The UP and DOWN arrows on the garage door opener flash the diagnostic codes.

DIAGNOSTIC CODE		SYMPTOM	SOLUTION
Up Arrow Flash(es)	Down Arrow Flash(es)		
1	1	The garage door opener will not close and the light bulbs flash.	Safety reversing sensors are not installed, connected, or wires may be cut. Inspect sensor wires for a disconnected or cut wire.
1	2	The garage door opener will not close and the light bulbs flash.	There is a short or reversed wire for the safety reversing sensors. Inspect safety sensor wire at all staple and connection points, replace wire or correct as needed.
1	3	The door control will not function.	The wires for the door control are shorted or the door control is faulty. Inspect door control wires at all staple and connection points, replace wire or correct as needed.
1	4	The garage door opener will not close and the light bulbs flash.	Safety reversing sensors are misaligned or were momentarily obstructed. Realign both sensors to ensure both LEDs are steady and not flickering. Make sure nothing is hanging or mounted on the door that would interrupt the sensor's path while closing.
1	5	Door moves 6-8" (15-20 cm) stops or reverses.	Manually open and close the door. Check for binding or obstructions, such as a broken spring or door lock, correct as needed. Check wiring connections at travel module and at the logic board. Replace travel module if necessary.
		No movement, only a single click.	Manually open and close the door. Check for binding or obstructions, such as a broken spring or door lock, correct as needed. Replace logic board if necessary.
		Opener hums for 1-2 seconds no movement.	Manually open and close the door. Check for binding or obstructions, such as a broken spring or door lock, correct as needed. Replace motor if necessary.
1	6	Door coasts after it has come to a complete stop.	Program travel to coasting position or have door balanced by a trained door systems technician.
2	1-5	No movement, or sound.	Replace logic board.
3	2	Unable to set the travel or retain position.	Check travel module for proper assembly, replace if necessary.

Troubleshooting

DIAGNOSTIC CODE		SYMPTOM	SOLUTION
Up Arrow Flash(es)	Down Arrow Flash(es)		
3	3	The battery status LED is constantly flashing green.	Battery backup charging circuit error, replace the logic board.
4	1-4	Door is moving stops or reverses.	Manually open and close the door. Check for binding or obstructions, such as a broken spring or door lock, correct as needed. If the door is binding or sticking contact a trained door systems technician. If door is not binding or sticking attempt to reprogram travel (refer to page 30).
4	5	Opener runs approximately 6-8" (15-20 cm), stops and reverses.	Communication error to travel module. Check travel module connections, replace travel module if necessary.
4	6	The garage door opener will not close and the light bulbs flash.	Safety reversing sensors are misaligned or were momentarily obstructed. Realign both sensors to ensure both LEDs are steady and not flickering. Make sure nothing is hanging or mounted on the door that would interrupt the sensor's path while closing.

The garage door opener can beep for several reasons:

- Garage door opener has been activated through a device or feature such as Timer-to-Close or garage door monitor, see page 35.

My remote control will not activate the garage door:

- Verify the lock feature is not activated on the door control.
- Reprogram the remote control.
- If the remote control will still not activate the door check the diagnostic codes to ensure the garage door opener is working properly.

My door will not close and the light bulbs blink on my motor unit:

The safety reversing sensor must be connected and aligned correctly before the garage door opener will move in the down direction.

- Verify the safety reversing sensors are properly installed, aligned and free of any obstructions.

My garage door opener light(s) will not turn off when the door is open:

The garage door opener is equipped with a feature that turns the light on when the safety reversing sensors have been obstructed.

My neighbor's remote control opens my garage door:

Erase the memory from your garage door opener and reprogram the remote control(s).

My vehicle's Homelink is not programming to my garage door opener:

Compatibility Bridge (not included) may be necessary for certain vehicles. Visit bridge.chamberlain.com to find out if a Bridge is needed.

Wi-Fi troubleshooting

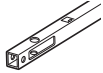
The garage door opener will NOT enter Wi-Fi LEARN mode:

- After the initial installation of the garage door opener, the garage door opener must complete a full cycle (open and closed) before the Wi-Fi LEARN mode can be activated.
- If there has been a recent power outage, the garage door opener must complete a full cycle before the Wi-Fi LEARN mode can be activated.

Accessories

7708CB 8 Foot (2.4 m) Rail Extension:

To allow an 8 foot (2.4 m) door to open fully.



041A5281-1 Extension Brackets:

(Optional) For safety reversing sensor installation onto the wall or floor.



953EV

Remote Control:

Works with ALL Chamberlain openers from 1993-present. myQ compatible. Includes visor clip.



956EV

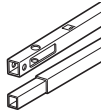
Keychain Remote Control:

Works with ALL Chamberlain openers from 1993-present. myQ compatible. With key ring.



7710CB 10 Foot (3 m) Rail Extension:

To allow a 10 foot (3 m) door to open fully.



CLLP1

Laser Parking Assistant:

Park in the right spot every time! A laser beam is activated by your garage door opener and projected on to the dashboard of your vehicle to guide perfect parking.



940EV

Wireless Keypad:

For use outside of the home to enable access to the garage using a 4-digit PIN. Works with ALL Chamberlain openers from 1993-present. myQ compatible.



041A6357-1 Standby Power System

Battery: Provides backup power to the garage door opener.



myQ Accessories

You can program up to 10 myQ accessories to your myQ account.

PILCEV

myQ Remote Lamp Control:

Monitor and control this plug in lamp switch with the myQ Smartphone App.



WSLCEV

myQ Interior/Exterior Light Switch

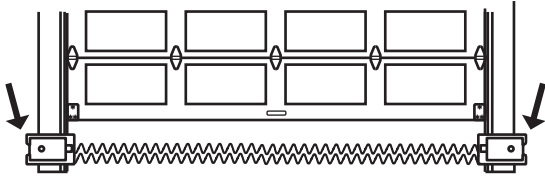
Monitor and control this wall light switch with the myQ Smartphone App.



Warranty

STOP!

This garage door opener **WILL NOT** work until the safety reversing sensors are properly installed and aligned.



Contact Information

For installation and service information call:

1-800-528-9131

Before calling, please have the model number of the garage door opener.

If you are calling about a Troubleshooting issue, it is recommended that you have access to your garage door opener while calling.

If you are ordering a repair part please have the following information: part number, part name, and model number.

CHAMBERLAIN® LIMITED WARRANTY

The Chamberlain Group, Inc.® (“Seller”) warrants to the first retail purchaser of this product, for the residence in which this product is originally installed, that it is free from defects in materials and/or workmanship for a specific period of time as defined below (the “Warranty Period”). The warranty period commences from the date of purchase.

WARRANTY PERIOD		
Parts	Motor	Accessories
1 Year	6 Years	1 Year

The proper operation of this product is dependent on your compliance with the instructions regarding installation, operation, and maintenance and testing. Failure to comply strictly with those instructions will void this limited warranty in its entirety. If, during the limited warranty period, this product appears to contain a defect covered by this limited warranty, call 1-800-528-9131, toll free, before dismantling this product. You will be advised of disassembly and shipping instructions when you call. Then send the product or component, pre-paid and insured, as directed to our service center for warranty repair. Please include a brief description of the problem and a dated proof-of-purchase receipt with any product returned for warranty repair. Products returned to Seller for warranty repair, which upon receipt by Seller are confirmed to be defective and covered by this limited warranty, will be repaired or replaced (at Seller’s sole option) at no cost to you and returned pre-paid. Defective parts will be repaired or replaced with new or factory rebuilt parts at Seller’s sole option. [You are responsible for any costs incurred in removing and/or reinstalling the product or any component.]

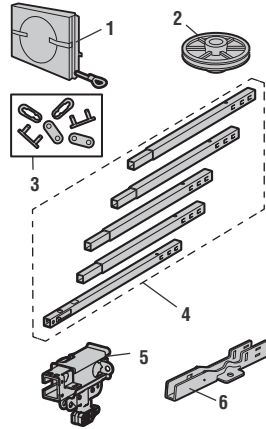
ALL IMPLIED WARRANTIES FOR THE PRODUCT, INCLUDING BUT NOT LIMITED TO ANY IMPLIED WARRANTIES OF MERCHANTABILITY AND FITNESS FOR A PARTICULAR PURPOSE, ARE LIMITED IN DURATION TO THE APPLICABLE LIMITED WARRANTY PERIOD SET FORTH ABOVE FOR THE RELATED COMPONENT(S), AND NO IMPLIED WARRANTIES WILL EXIST OR APPLY AFTER SUCH PERIOD. Some States and Provinces do not allow limitations on how long an implied warranty lasts, so the above limitation may not apply to you. THIS LIMITED WARRANTY DOES NOT COVER NON-DEFECT DAMAGE, DAMAGE CAUSED BY IMPROPER INSTALLATION, OPERATION OR CARE (INCLUDING, BUT NOT LIMITED TO ABUSE, MISUSE, FAILURE TO PROVIDE REASONABLE AND NECESSARY MAINTENANCE, UNAUTHORIZED REPAIRS OR ANY ALTERATIONS TO THIS PRODUCT), LABOR CHARGES FOR REINSTALLING A REPAIRED OR REPLACED UNIT, REPLACEMENT OF CONSUMABLE ITEMS (E.G., BATTERIES IN REMOTE CONTROL TRANSMITTERS AND LIGHT BULBS), OR UNITS INSTALLED FOR NON-RESIDENTIAL USE. THIS LIMITED WARRANTY DOES NOT COVER ANY PROBLEMS WITH, OR RELATING TO, THE GARAGE DOOR OR GARAGE DOOR HARDWARE, INCLUDING BUT NOT LIMITED TO THE DOOR SPRINGS, DOOR ROLLERS, DOOR ALIGNMENT OR HINGES. THIS LIMITED WARRANTY ALSO DOES NOT COVER ANY PROBLEMS CAUSED BY INTERFERENCE. UNDER NO CIRCUMSTANCES SHALL SELLER BE LIABLE FOR CONSEQUENTIAL, INCIDENTAL OR SPECIAL DAMAGES ARISING IN CONNECTION WITH USE, OR INABILITY TO USE, THIS PRODUCT. IN NO EVENT SHALL SELLER’S LIABILITY FOR BREACH OF WARRANTY, BREACH OF CONTRACT, NEGLIGENCE OR STRICT LIABILITY EXCEED THE COST OF THE PRODUCT COVERED HEREBY. NO PERSON IS AUTHORIZED TO ASSUME FOR US ANY OTHER LIABILITY IN CONNECTION WITH THE SALE OF THIS PRODUCT.

Some states and provinces do not allow the exclusion or limitation of consequential, incidental or special damages, so the above limitation or exclusion may not apply to you. This limited warranty gives you specific legal rights, and you may also have other rights, which vary from state to state and province to province.

Repair Parts

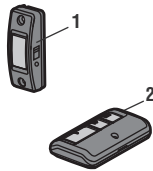
Rail Assembly Parts

Description	Part Number
1 Chain and Cable	041A5807
2 Pulley	K144C0056
3 Master Link	004A1008
4 Rail	041A5665
5 Trolley Assembly Includes: Threaded Shaft (1), Clevis pin (1), Ring (1)	041C5141-1
6 "U" Bracket	041D0598-1
Not Shown	
Wear Pads	041A7276
Hardware Bag	041A7920-1



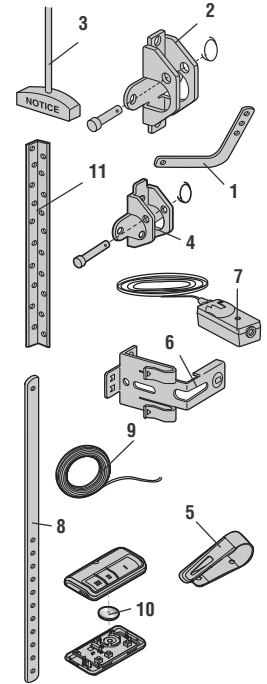
Accessories

Description	Part Number
1 Push Button Door Control	041A7367-3
2 3-Button Remote Control	953ESTD



Installation Parts

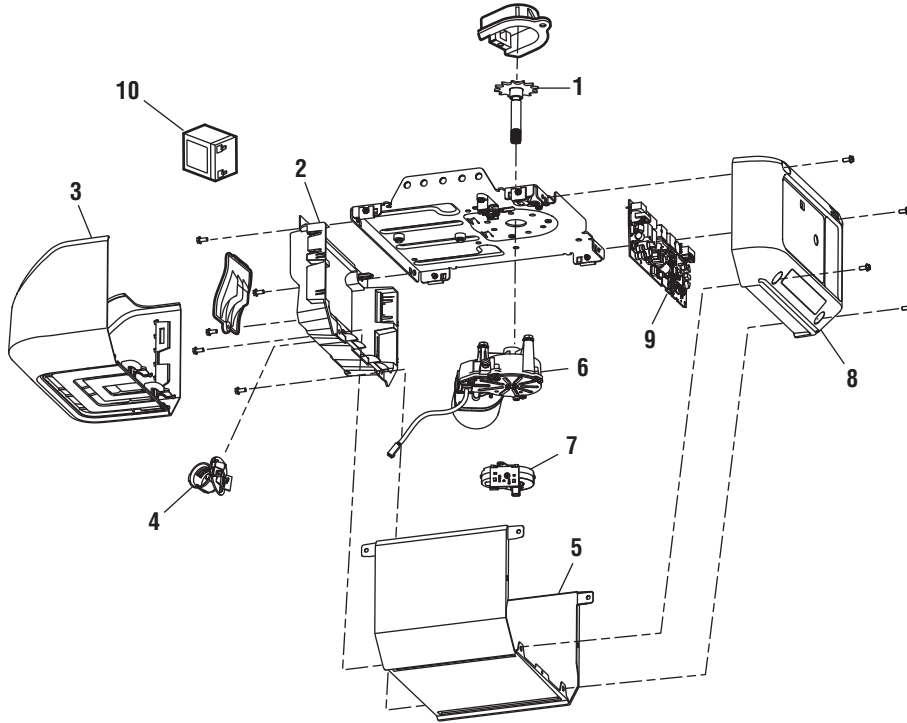
Description	Part Number
1 Curved Door Arm	041B0035B
2 Door Bracket with Clevis Pin and Fastener	041A5047-1
3 Emergency Release Rope and Handle	041A2828
4 Header Bracket with Clevis Pin and Fastener	041A5047-2
5 Remote Control Visor Clip	K029B0137
6 Safety Sensor Bracket	041A5266-3
7 Safety Sensor Kit Receiving and sending sensors with 2-conductor wire	041A5034
8 Straight Door Arm	4178B0034B
9 White and Red/White Wire	041B4494-1
10 3V CR2032 Lithium Battery	K010A0020
11 Hanging Brackets	012B0776
Not Shown	
Owner's Manual	114A5223



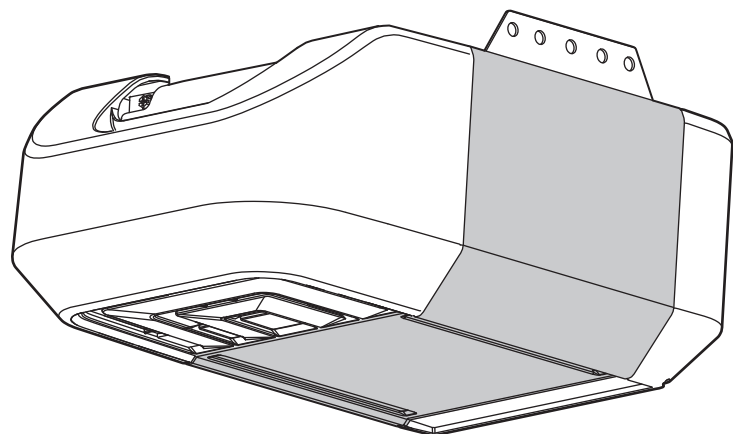
Repair Parts

Garage Door Opener Parts

The images are for reference only and your product may look different.



	Description	Part Number
1	Sprocket & Sprocket Cover with screws	041B5348-2
2	Front End Panel	041A7618
3	Light Lens	041D0145-1
4	Light Socket	041C0279
5	Cover	041D0646-2
6	Motor with Travel Module	041D8006-1
7	Travel Module	041D8071-4
8	End Panel for Receiver Logic Board	041D0233-3
9	Logic Board	050DCTWF
10	12V Battery	041A6357-1
Not Shown		
	Wire Harness	041D9069
	Transformer	041D0277-1
	Line Cord	041B4245
	Terminal Block	041A3150



Manual del propietario C273

Abre-puertas de garaje
de cadena

SÓLO PARA USO RESIDENCIAL

INCLUYE UN CONTROL REMOTO
PROGRAMADO



PARA VER LOS VIDEOS
CONÉCTESE A:
tinyurl.com/lgh5x3h

CHAMBERLAIN®

Garage Opener

- ¡Lea atentamente el contenido de este manual y las instrucciones de seguridad en él incluidas!
- Al terminar la instalación, deje el manual a mano cerca de la puerta del garaje.
- La puerta **NO SE CERRARÁ** si el Protector System® no está conectado y debidamente alineado.
- Como medida de seguridad, es conveniente efectuar inspecciones periódicas del mecanismo de apertura.
- El número de modelo se encuentra en el panel frontal del abre puertas.
- Esté abre-puerta del garaje es compatibles con accesorios de myQ® y Security+ 2.0®
- **NO** usarlo para puertas de una sola pieza si utiliza dispositivos de cierre automático. Los dispositivos y funciones automáticas deben usarse ÚNICAMENTE con puertas seccionales.



Contenido

Preparación.....	2-5
Ensamblado	6-10
Instalación	11-28
Instale el control de la puerta ...	21-22
Instale la Protector System®	23-26
Conecte la alimentación eléctrica	27-28
Ajustes.....	29-31
Batería de repuesto	32
Control inteligente myQ® Conéctese ...	33
Operación	34-37
Funciones	35
Cómo usar su abre-puertas de garaje	36
Control remoto	36
Homelink®	36
Para borrar la memoria	37
Para abrir la puerta manualmente	37
Mantenimiento	38
Resolución de problemas	39-40
Accesorios	41
Garantía	42
Piezas de repuesto.....	43-44

www.chamberlain.com
www.mychamberlain.com

Preparación

Revisión de los símbolos y términos de seguridad

Este abre-puertas de garaje ha sido diseñado y probado para un funcionamiento seguro, siempre y cuando se instale, se opere, se mantenga y se pruebe cumpliendo al pie de la letra con todas las advertencias y las instrucciones incluidas en este manual.

WARNING

Mecánica

WARNING

Eléctrica

CAUTION



ADVERTENCIA: Este producto puede exponerle a productos químicos (incluido el plomo), que a consideración del estado de California causan cáncer, defectos congénitos u otros daños reproductivos. Para más información, visite www.P65Warnings.ca.gov Para obtener más información, visite www.P65Warnings.ca.gov

Operación en estado pasivo

La función temporizador de cierre (TTC), la aplicación de control por teléfono inteligente myQ®, el monitor de puerta y de portón de garaje myQ son ejemplos de cierre en estado pasivo y SOLO se deben usar con puertas seccionales. Cualquier dispositivo o función por medio de los cuales la puerta se cierre sin estar en la línea de visión de la puerta, se considera cierre en estado pasivo. La función temporizador de cierre (TTC), el control para teléfonos inteligentes myQ y cualquier otro dispositivo myQ® SOLO se deben usar con puertas seccionales.

Estas advertencias y/o símbolos de seguridad que aparecen a lo largo de este manual le alertarán de la existencia de riesgo de **una lesión seria o de muerte** si no se siguen las instrucciones correspondientes. El peligro puede ser eléctrico (electrocución) o mecánico. Lea detenidamente estas advertencias.

Cuando vea esta palabra clave en las páginas siguientes, se le alertará sobre la posibilidad de dañar la puerta del garaje o el abre-puertas de garaje si no se siguen las precauciones correspondientes. Léalas detenidamente.

Revise la puerta

ADVERTENCIA

Para evitar una posible LESIÓN GRAVE o LA MUERTE:

- SIEMPRE llame a un técnico especializado en sistemas de puertas si la puerta del garaje se atasca, atora o si está desequilibrada. Es posible que una puerta de garaje que no esté bien equilibrado NO retroceda cuando se requiera.
- NUNCA intente aflojar, mover ni ajustar la puerta de garaje, los resortes de la puerta, los cables, las poleas, las ménsulas ni el herraje, pues TODOS estos elementos están bajo una tensión EXTREMA.
- Quite TODOS los seguros y retire TODAS las cuerdas conectadas a la puerta de garaje ANTES de instalar y opere el abre-puertas para evitar que estas se enreden.
- NO usarlo para puertas de una sola pieza si utiliza dispositivos de cierre automático. Los dispositivos y funciones automáticas deben usarse ÚNICAMENTE con puertas seccionales.

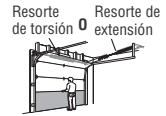
PRECAUCIÓN

Para evitar daños a la puerta y al abre-puertas:

- SIEMPRE quite los seguros ANTES de instalar o de operar el abre-puertas.
- SOLAMENTE opere el abre-puertas de garaje con corriente de 120 V, 60 Hz para evitar su mal funcionamiento y que el abre-puertas se dañe.

Antes de comenzar:

1. Quite todos los seguros y retire cualquier cuerda o cable que esté conectado a la puerta del garaje.
2. Levante la puerta hasta la mitad de su recorrido. Suelte la puerta. Si está equilibrada, deberá mantenerse en esa posición con solo el soporte de los resortes.
3. Suba y baje la puerta para ver si se atora con algo o si se traba. Si su puerta se atora o se traba, o no está equilibrada, llame a un técnico capacitado en sistemas de puertas.
4. Revise el cierre en la parte de abajo de la puerta. El espacio entre la base de la puerta y el piso no debe exceder 6 mm (1/4 de pulg.). De no ser así, el sistema de reversa de seguridad podría no funcionar debidamente.
5. El abre-puertas se debe instalar por encima del centro de la puerta. Si existe algún resorte de tensión o placa de apoyo en el paso de la ménsula del cabezal, se puede instalar hasta a 1.2 m (4 pies) a la derecha o a la izquierda del centro de la puerta. Consulte pagina 12.



Preparación

Antes de conectarse con su teléfono inteligente

Monitoree y controle la puerta de garaje desde cualquier lugar con la aplicación myQ. Necesitará un router con Wi-Fi y un teléfono inteligente u otro dispositivo móvil. Verifique que el dispositivo móvil esté conectado a la red de Wi-Fi. Ubíquese con el dispositivo móvil en el lugar donde se instalará el abre-puertas y verifique la intensidad de la señal de Wi-Fi.



Revise la intensidad de la señal. Si observa:



La señal de Wi-Fi es fuerte. ¡Todo listo!
Instale su nuevo abre-puertas de garaje.



La señal de Wi-Fi es débil.

Es probable que el abre-puertas de garaje se conecte a su red de Wi-Fi. Si no es así, pruebe alguna de las opciones de abajo.



Sin señal de Wi-Fi. Pruebe una de las siguientes opciones:

- Coloque el router más cerca del abre-puertas de garaje para minimizar la interferencia de las paredes y otros objetos
- Compre un amplificador de alcance de Wi-Fi
- Compre un Chamberlain myQ Internet Gateway (828LG) consulte la página 41

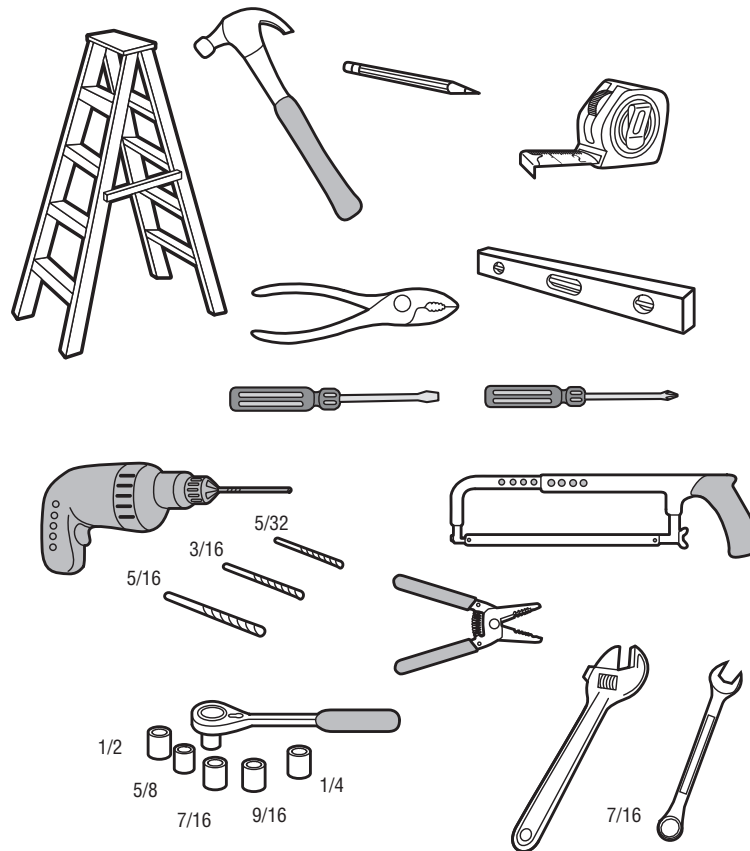
Consulte Control por teléfono inteligente de myQ página 33 para conectar el abre-puertas de garaje a su red de Wi-Fi.

Elementos adicionales que posiblemente necesite:

Inspeccione el área de su garaje para ver si necesitará alguno de los siguientes elementos:

- **(2) pedazos de madera de 5 X 10 cm (2 X 4 pulg.):** Se puede usar para ajustar la ménsula del cabezal a los soportes estructurales. También se usa para colocar el abre-puertas del garaje durante la instalación y para probar los sensores de reversa de seguridad.
- **Ménsula de soporte y herraje de sujeción:** Se deben usar si el cielo raso de su garaje está terminado.
- **Ménsulas de extensión (MODELO 041A5281-1) o bloques de madera:** Dependiendo de la estructura del garaje, se podrían necesitar ménsulas de extensión o bloques de madera para instalar el sensor de reversa de seguridad.
- **Herraje de sujeción:** Para el montaje en el piso alternativo del sensor de reversa de seguridad, se necesitará herraje de sujeción no provisto.
- **Refuerzo de la puerta:** Es necesario si tiene una puerta de acero fino, aluminio, fibra de vidrio o con paneles de vidrio.
- **Juego de extensión del riel:** Se necesita si la puerta del garaje tiene más de 2.13 m (7 pies) de altura.

Herramientas necesarias



Preparación

Inventario de la caja de cartón

Conserve la caja y los materiales de embalaje hasta que la instalación y el ajuste se hayan terminado. Las instrucciones para los accesorios vendrán adjuntas al accesorio y no están incluidas en este manual. Las imágenes en este manual se usan solamente como referencia. El producto comprado podría tener un aspecto diferente.

- A. Ménsula de cabecera
- B. Polea
- C. Soporte de la puerta
- D. Brazo curvo de la puerta
- E. Brazo recto de la puerta (embalado dentro de la sección del riel)
- F. Carro

NOTA: *Asegúrese de ensamblar el carro antes de deslizarlo sobre el riel.*

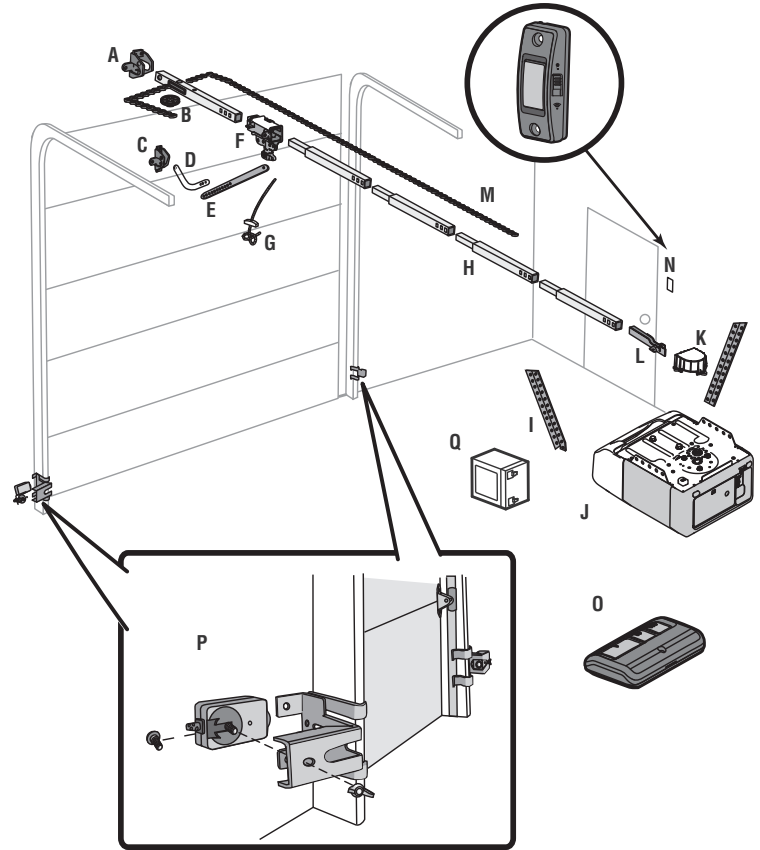
- G. Manija y cuerda de liberación de emergencia
- H. Riel (1 delantero y 4 secciones centrales)
- I. Ménsulas colgantes (2) (embaladas dentro de la sección del riel frontal)
- J. Abre-puertas de garaje (unidad de motor)
- K. Cubierta de la rueda dentada
- L. Ménsula en U
- M. Cadena y cable
- N. Control de la puerta - Botón pulsador
- O. Control remoto - 3 botón
- P. **The Protector System®**

Sensores de reversa de seguridad con 2 cables conductores blanco y blanco/negro: Sensor emisor (1), sensor receptor (1), sensor receptor (1) y ménsulas del sensor de seguridad (2)

- Q. Batería de respaldo

NO SE MUESTRA

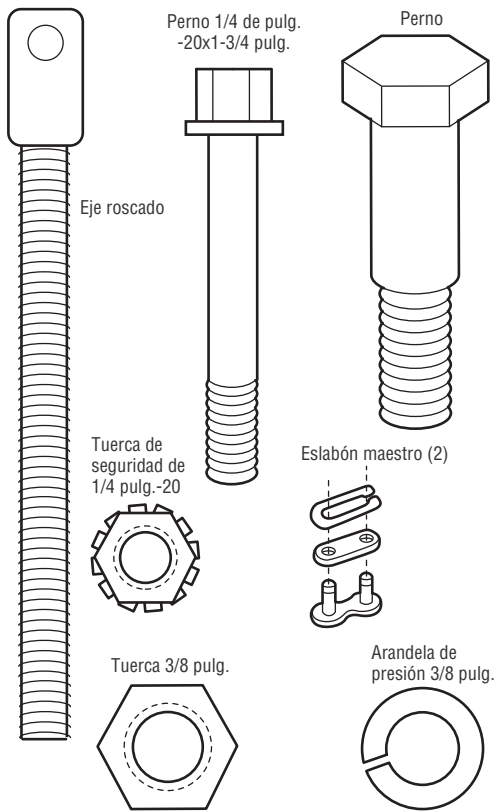
Cable blanco y rojo/blanco
Manual del propietario
Herrajes



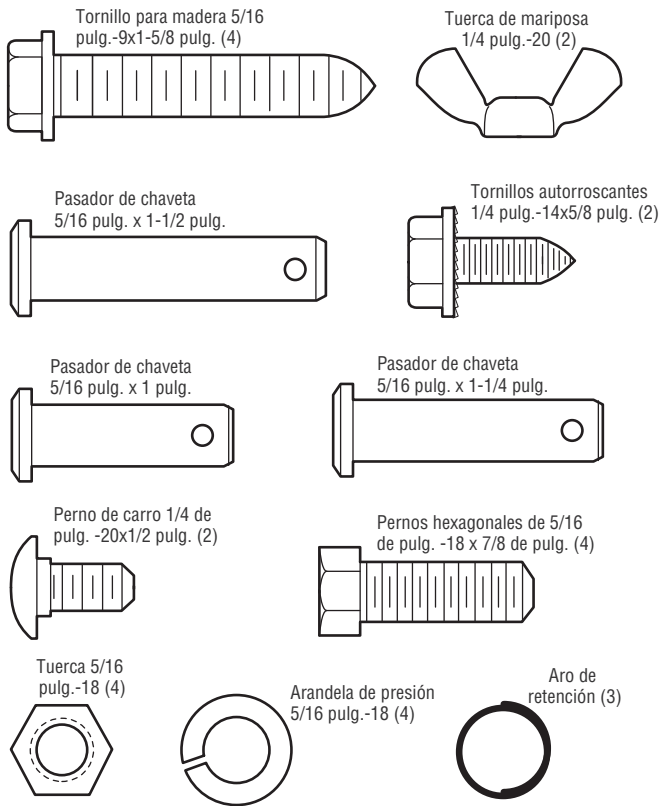
Preparación

Herrajes

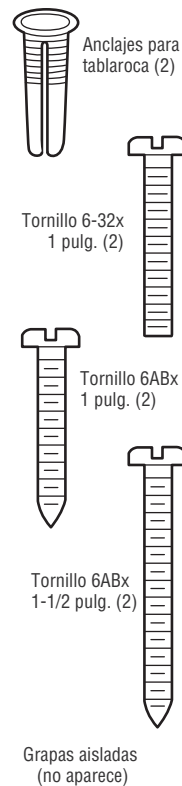
ENSAMBLAJE



INSTALACIÓN



CONTROL DE LA PUERTA



Ensamblaje

PASO 1 Ensamblado del riel y instale el carro

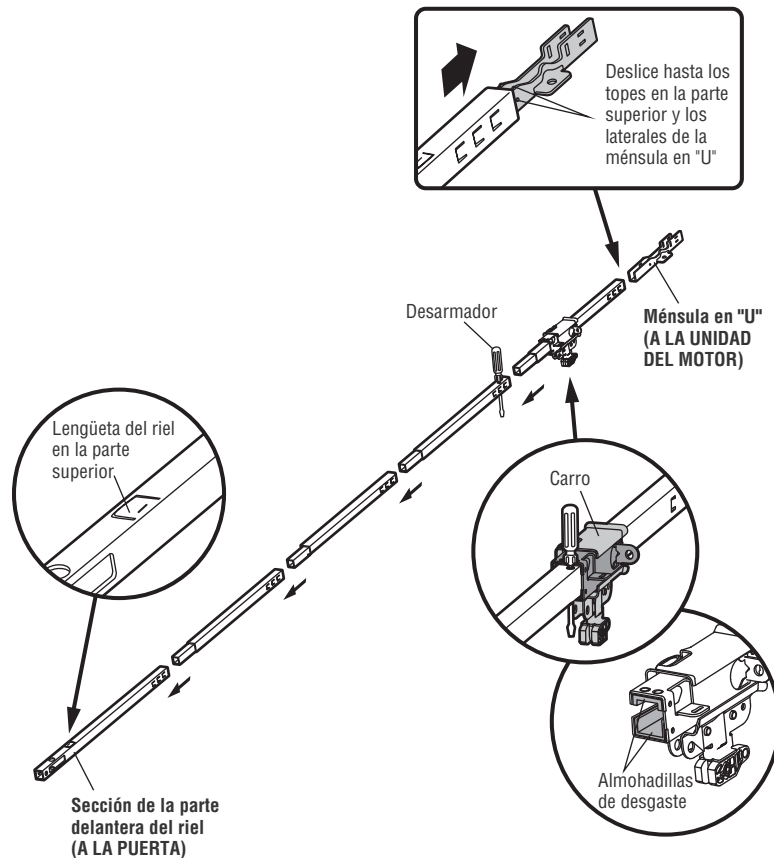
PRECAUCIÓN

Para prevenir LESIONES por presión, mantenga las manos y los dedos alejados de las uniones mientras se ensambla el riel.

No encienda ni use el abre-puertas hasta que llegue al paso de la instalación correspondiente, de otra manera corre el riesgo de complicar el proceso de instalación.

El riel frontal tiene una "ventana" en el extremo de puerta. La pestaña del riel DEBE estar encima del carril cuando está ensamblado.

1. Quite el brazo recto de la puerta y la ménsula colgante empacados dentro del riel frontal y póngalos a un lado para usarlos en el Paso 5 y 9 de la Instalación. **NOTA:** Para evitar LESIONES al desempacar el riel, retire cuidadosamente el brazo recto de la puerta empacado dentro de la sección del riel.
2. Alinee las secciones del riel sobre una superficie plana exactamente como se indica y luego deslice los extremos más pequeños dentro de los más grandes. Las pestañas a lo largo del lado se trabarán en posición.
3. Coloque el motor sobre el material de empaque para proteger la cubierta del mismo y apoye el extremo posterior del riel encima. Para que le resulte más cómodo, ponga algún tipo de apoyo bajo el extremo delantero del riel.
4. Como una parada temporal, inserte un destornillador en el orificio de la segunda sección del riel de la unidad motor, como se muestra.
5. Revise y cerciórese de que haya 4 cojinetes plásticos de desgaste dentro del carro interno. Si los cojinetes se han soltado durante el transporte, revise todo el material de empaque. Ponga los cojinetes de desgaste en su lugar como se indica.
6. Deslice el carro por el riel hacia el destornillador, como se muestra.
7. Deslice el riel en la ménsula en "U", hasta los topes que sobresalen en la parte superior y a los lados de la ménsula en "U".



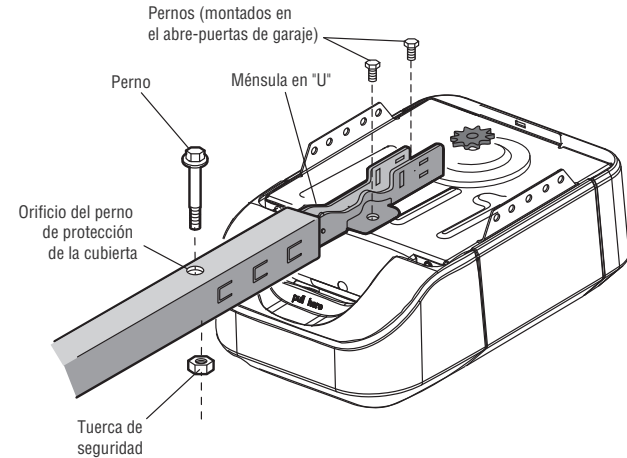
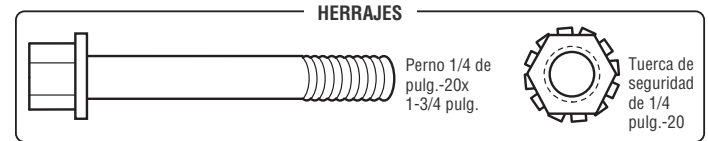
Ensamblaje

PASO 2 Fijar riel al abre-puertas de garaje

PRECAUCIÓN

Para evitar daños GRAVES en el abre-puertas, utilice SOLAMENTE los pernos/sujetadores que vienen montados en la parte superior del abre-puertas.

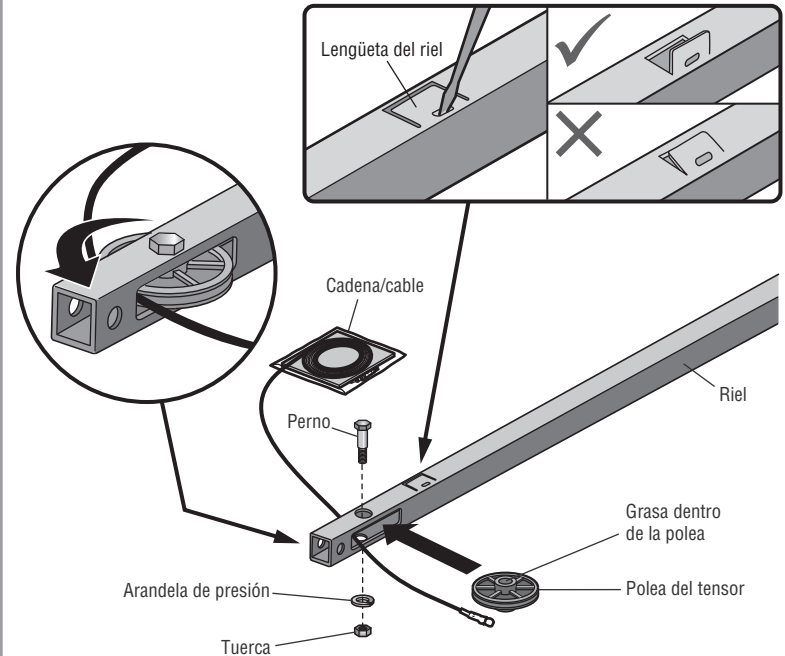
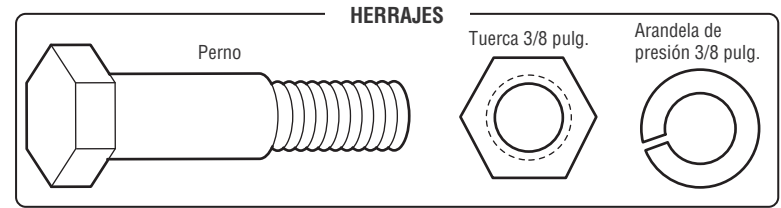
1. Coloque un perno de 1/4-20 x 1-3/4 de pulg. dentro del orificio de la cubierta de protección que se encuentra en el extremo posterior del riel, como se indica en la ilustración. Apriete bien el perno con tuerca de 1/4 de pulg.-20. NO ajuste demasiado.
2. Quite los pernos de la parte superior del motor.
3. Uso el cartón para soporte el frente del riel.
4. Ponga la ménsula en "U" sobre el motor con el lado plano hacia abajo y alinee los orificios de la ménsula con los orificios de los pernos.
5. Ajuste la ménsula en "U" con pernos quitados anteriormente; SIN usar herramientas eléctricas. El uso de herramientas eléctricas podría dañar permanentemente el abre-puerta de garaje.



Ensamblaje

PASO 3 Instale la polea loca

1. Coloque la cadena y el cable a un lado del riel como se muestra en la ilustración. Sujete el extremo del cable y pase aproximadamente 30 cm (12 pulgadas) de cable por la ventana. Deje que cuelgue hasta llegar al Paso 4 del Montaje.
2. Retire la cinta de la polea loca. El interior del centro debe estar engrasado. Si se ha secado, vuelva a engrasarlo para asegurar que la operación sea adecuada.
3. Coloque la polea loca dentro de la ventana como se muestra en la ilustración.
4. Inserte el perno loco desde la parte superior y a través del riel y la polea. Apriete con una arandela y una tuerca de 3/8 de pulg. por debajo del riel hasta que la arandela quede comprimida.
5. Gire la polea para asegurarse de que rote libremente.
6. Ubicar la pestaña del riel. La ficha de riel está cerca de la polea en la sección de riel delantero. Utilizar un destornillador de punta plana para levantar la pestaña hasta que quede en posición vertical (a 90°).



Ensamblaje

PASO 4 Instale la cadena

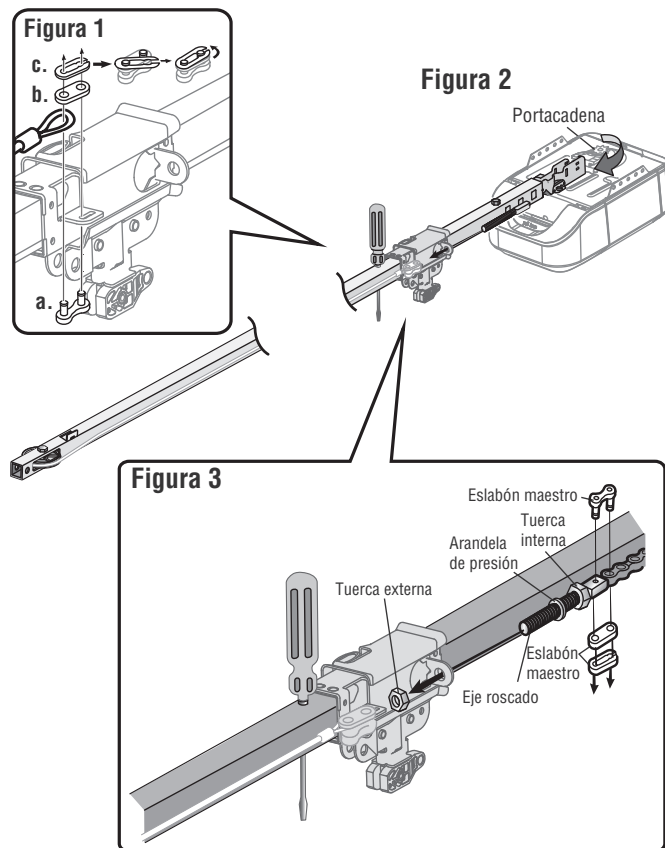
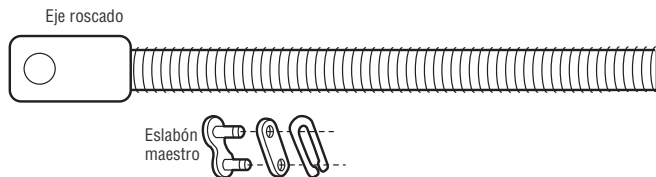
ADVERTENCIA

Para evitar posibles LESIONES GRAVES en los dedos causadas por las partes móviles del abre-puertas de garaje:

- SIEMPRE tenga las manos lejos de la rueda dentada mientras el abre-puertas esté en funcionamiento.
- Ponga bien la cubierta de la rueda dentada ANTES de hacer funcionar el abre-puertas.

1. Coloque el cable alrededor de la polea y tirela hacia el trole.
2. Enganche el cable en la ranura de retención del trole como se muestra. (Figura 1)
 - a. Empuje los pernos de la barra del enlace maestro a través del cable y del orificio en el carro.
 - b. Empuje la tapa del enlace maestro sobre los pernos y las muescas de los pernos.
 - c. Deslice el extremo cerrado del resorte sobre uno de los pasadores. Empuje el extremo abierto de la primavera con clip en la espiga de otra.
3. Con el carro contra el destornillador, introduzca el resto del cable/cadena a largo del riel hacia la unidad del cable/cadena a largo del riel hacia la unidad del alrededor de la rueda dentada sobre el desplegador de cadena y continuando hacia el conjunto del trole. Los dientes del portacadena deben engranar en la cadena. (Figura 2)
4. Cérchese de que la cadena no esté torcida, luego conéctela al eje roscado con el enlace maestro restante.
5. Enrosque la tuerca interna y la arandela en el eje roscado del carro.
6. Introduzca el eje roscado del trole por el orificio del carro. *Cérchese de que la cadena no esté torcida.* (Figura 3)
7. Enrosque, aunque sin ajustar, la tuerca externa en el eje roscado del trole.
8. Quite el desarmador.

HERRAJES



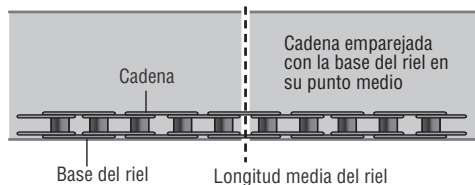
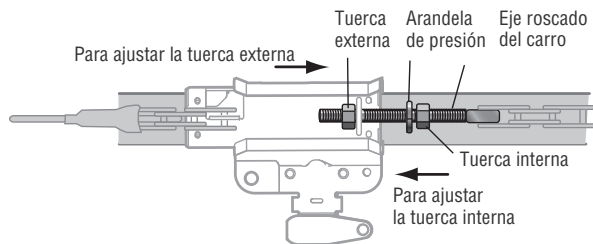
Ensamblaje

PASO 5 Apretar la cadena

1. Girar la tuerca interna y la arandela de presión en el eje roscado del carro, en sentido opuesto al carro.
2. Para ajustar la cadena, gire la tuerca externa en la dirección mostrada.
3. Una vez que la cadena esta a la misma altura que la base de riel en su punto medio, vuelva a apretar la tuerca interna para asegurar el ajuste. **IMPORTANTE:** NO apretar demasiado la cadena.

Si la cadena queda demasiado floja o demasiado apretada la rueda dentada puede hacer ruido. Al terminar la instalación, es posible que note que la cadena está caída cuando la puerta está cerrada. Esto es normal. Si la cadena regrese a la posición mostrada al abrir la puerta, no vuelva a ajustar la cadena.

NOTA: Durante el mantenimiento futuro, SIEMPRE jale la manija de desenganche de emergencia para desconectar el carro antes de ajustar la cadena.



PASO 6 Instale la cubierta de la rueda dentada

⚠ ADVERTENCIA

Para evitar posibles LESIONES GRAVES en los dedos causadas por las partes móviles del abre-puertas de garaje:

- SIEMPRE tenga las manos lejos de la rueda dentada mientras el abre-puertas esté en funcionamiento.
- Ponga bien la cubierta de la rueda dentada ANTES de hacer funcionar el abre-puertas.

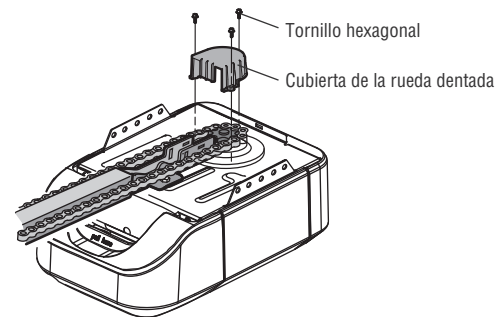
1. Coloque la cubierta de la rueda dentada tal como se muestra y ajuste la placa de montaje con los tornillos hexagonales de 8x3/8 de pulg. incluidos.

Ha finalizado el ensamblado de su abre-puertas de garaje. Leer las advertencias siguientes antes de proceder con la sección de instalación.

HERRAJES



Tornillo hexagonal nro. 8 x 3/8 de pulg.
(empaquetado con la cubierta del portacadena)



INSTRUCCIONES DE INSTALACIÓN IMPORTANTES

ADVERTENCIA

Para reducir el riesgo de **LESIONES GRAVES** o la **MUERTE**:

1. LEA Y RESPETE TODAS LAS ADVERTENCIAS Y LAS INSTRUCCIONES DE INSTALACIÓN.
2. Instale el abre-puertas de garaje **SOLAMENTE** en puertas de garaje que estén bien equilibradas y lubricadas. Si la puerta no está debidamente equilibrada es posible que NO retroceda cuando así se requiera y podría ocasionar una **LESIÓN GRAVE** o incluso la **MUERTE**.
3. **TODAS** las reparaciones de los cables, resortes y otras partes las **DEBE** llevar a cabo un técnico especializado en sistemas de puertas, **ANTES** de instalar el abre-puertas.
4. Desarme **TODOS** los seguros y retire **TODAS** las cuerdas conectadas a la puerta de garaje **ANTES** de instalar el abre-puertas para evitar que estas se enreden.
5. Si es posible, instale el abre-puertas a una distancia de 2.13 m (7 pies) o más por encima del piso.
6. Monte la manija de desenganche de emergencia de modo que esté al alcance, pero con una altura mínima de 1.83 m (6 pies) del piso para evitar contacto con los vehículos y que se suelte accidentalmente.
7. No conecte **NUNCA** el abre-puertas de garaje a una fuente de energía eléctrica hasta que se le indique.
8. **NUNCA** lleve puestos relojes, anillos o prendas sueltas durante la instalación o la reparación del abre-puertas, Pues podrían atorarse en la puerta del garaje o en los mecanismos del abre-puertas.
9. Instale el control de la puerta de garaje montado en la pared:
 - de manera que quede a la vista desde la puerta del garaje.
 - fuera del alcance de los niños pequeños a una altura mínima de 1.5 m (5 pies) por encima de pisos, descansos, peldaños o cualquier otra superficie de tránsito peatonal adyacente.
 - lejos de **TODAS** las partes móviles de la puerta.
10. Instale el cartel de advertencia de atrapamiento junto al control de la puerta, en un lugar visible.
11. Coloque la calcomanía de prueba de reversa de seguridad y liberación de emergencia a plena vista en la parte interior de la puerta de garaje.
12. Pruebe el sistema de reversa de seguridad al terminar la instalación. La puerta del garaje **DEBE** retroceder al entrar en contacto con un objeto de 3.8 cm (1-1/2 de pulg.) de altura (o de 5 x 10 cm (2 x 4 pulg.) acostado en el piso.
13. **NO** usarlo para puertas de una sola pieza si utiliza dispositivos de cierre automático. Los dispositivos y funciones automáticas deben usarse **ÚNICAMENTE** con puertas seccionales.

Instalación

PASO 1 Determine la ubicación de la ménsula de cabecera

ADVERTENCIA

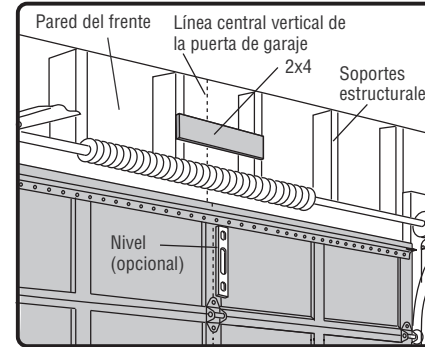
Para evitar posibles LESIONES GRAVES o la MUERTE:

- La ménsula del cabezal DEBE quedar RÍGIDAMENTE sujeta al soporte estructural en la pared delantera o en el cielo raso, de no ser así es posible que la puerta del garaje NO retroceda cuando se requiera. NO instale la ménsula del cabezal en muros falsos.
- Se DEBEN utilizar anclajes de concreto si se monta el soporte de travesaño o 5 x 10 cm (2 x 4 pulg.) en la mampostería.
- NUNCA trate de aflojar, mover, ni ajustar la puerta del garaje, los resortes, los cables, las poleas, las ménsulas ni la pernería, pues TODAS estas piezas están bajo una tensión EXTREMA.
- SIEMPRE llame a un técnico especializado en sistemas de puertas si la puerta del garaje se atasca, atora o si está desequilibrada. Una puerta de garaje que no está equilibrada puede NO retroceder cuando se requiera.

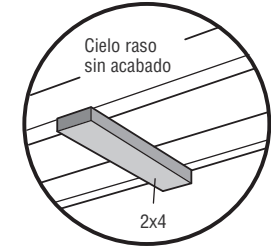
Los procedimientos de instalación varían según el tipo de puerta de garaje. Siga las instrucciones que correspondan a su puerta.

1. Con la puerta cerrada, marque el centro vertical de la puerta del garaje.
2. Es posible ajustar la ménsula de cabecera a una distancia de 1.2 m (4 pies) a la izquierda o la derecha del centro de la puerta, pero solamente si hay un resorte de torsión o una placa central de apoyo en el recorrido; o puede sujetarla al cielo raso (consulte página 13) cuando el espacio es reducido. (Asimismo, se puede instalar en forma invertida sobre la pared si fuese necesario. Esto le dará aproximadamente 1 cm [1/2 pulg.] de espacio). Si necesita instalar la ménsula del cabezal sobre una tabla de 5 x 10 cm (2 x 4 pulg.) (ya sea en la pared o en el cielo raso), utilice tornillos de cabeza cuadrada (no se incluyen) para sujetar bien la tabla de madera a los soportes estructurales tal como se muestra aquí y en página 13.
3. Abra la puerta hasta el punto más alto de su recorrido tal como se muestra. Marque una línea horizontal que intersecte la pared de cabecera a 5 cm (2 pulg.) por encima del punto más alto.
 - 5 cm (2 pulg.) por encima del punto más alto para las puertas seccionales y para las puertas de una pieza con carril.
 - 20 cm (8 pulg.) por encima del punto más alto para las puertas de una pieza sin carril.

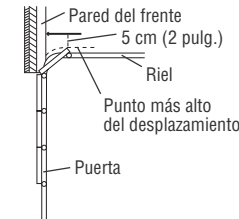
Esta altura brindará suficiente espacio de desplazamiento para el borde superior de la puerta. **NOTA:** Si el número total de centímetros excede la altura disponible de su garaje, use la altura máxima posible o consulte la página página 13 para obtener información sobre la instalación en el cielo raso.



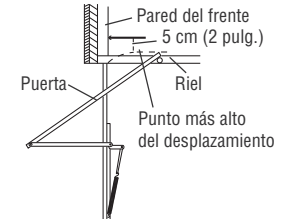
MONTAJE OPCIONAL EN EL TECHO PARA LA MÉNSULA DE CABECERA



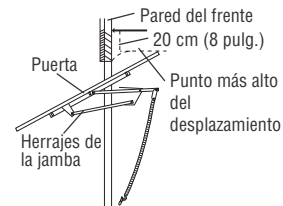
Puerta seccionada con riel curvo



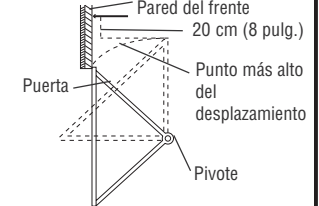
Puerta de una pieza con riel horizontal



Puerta de una pieza sin riel: herrajes de la jamba



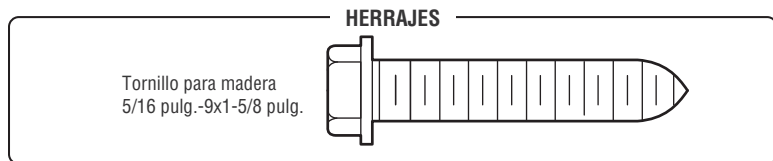
Puerta de una pieza sin riel: herrajes del pivote



Instalación

PASO 2 Instale la ménsula de cabecera

La ménsula del cabezal se puede sujetar a la pared sobre la puerta del garaje o en el cielo raso. Siga las instrucciones que sean las más adecuadas para las necesidades de su garaje. **No instale la ménsula del cabezal en un muro falso. Si la instalación es en mampostería, asegúrese de utilizar anclajes para hormigón (no se incluyen).**



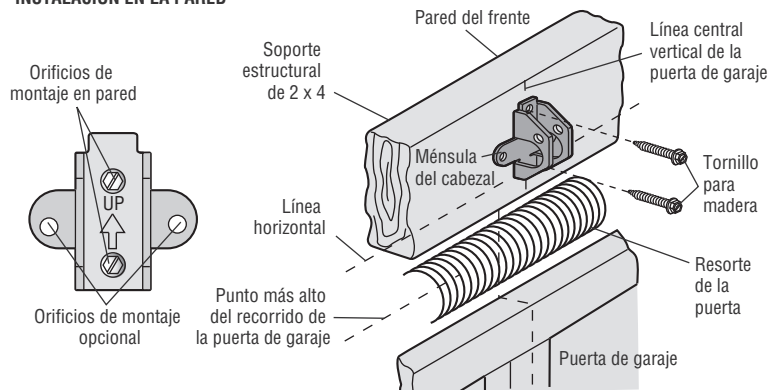
OPCIÓN A - INSTALACIÓN EN LA PARED

1. Coloque la ménsula sobre la línea central vertical con el borde inferior sobre la línea horizontal como se muestra en la ilustración (con la flecha de la ménsula apuntando hacia el cielo raso).
2. Marque los agujeros superior e inferior de la ménsula. Taladre los orificios piloto de 3/16 de pulg. y sujete la ménsula firmemente a un soporte estructural con los herrajes provistos.

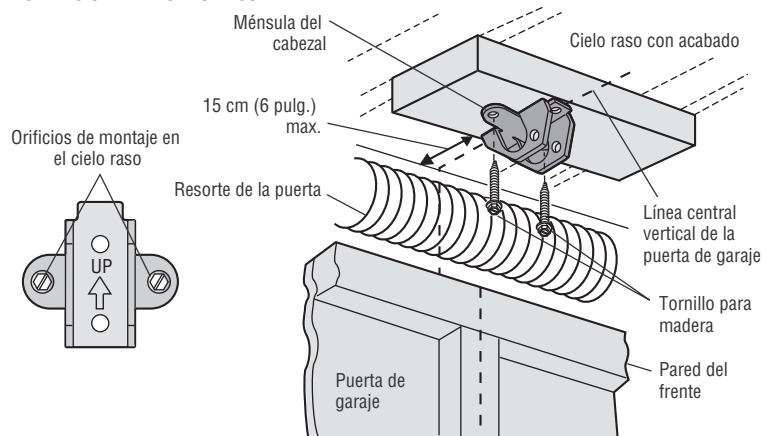
OPCIÓN B INSTALACIÓN EN EL CIELO RASO

1. Continúe marcando la línea central vertical sobre el cielo raso como se muestra en la ilustración.
2. Coloque la ménsula al centro de la línea a no más de 15 cm (6 pulg.) de la pared. Asegúrese de que la flecha de la ménsula apunte en dirección opuesta a la pared. La ménsula se puede instalar pegada al cielo raso cuando el espacio es muy reducido.
3. Marque dónde taladrará los orificios laterales. Taladre los orificios con una broca de 3/16 de pulg. y sujete la ménsula firmemente al soporte de la estructura con la pernería que se incluye.

INSTALACIÓN EN LA PARED



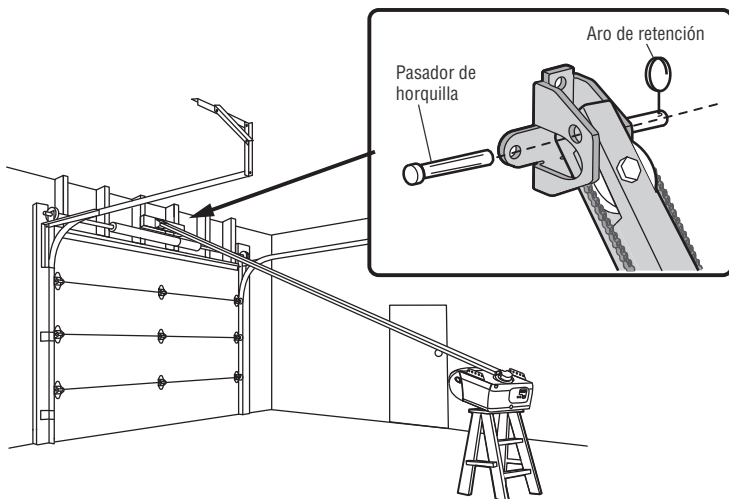
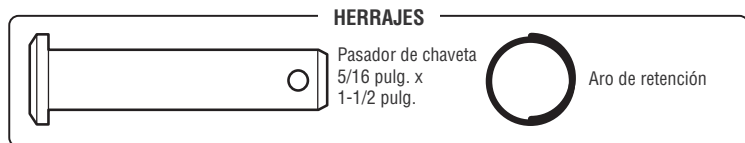
INSTALACIÓN EN EL CIELO RASO



Instalación

PASO 3 Coloque el riel en la ménsula del cabezal

1. Coloque el abre-puertas sobre el piso de la garaje debajo de la ménsula del cabezal. Use el material del empaque como base para protegerlo.
NOTA: Si el resorte de la puerta está obstruido, va a necesitar ayuda. Otra persona tendrá que sostener el abre-puertas firmemente sobre un soporte temporal para permitir que el riel pueda librar el resorte.
2. Coloque la ménsula del riel contra la ménsula del cabezal.
3. Alinee los orificios de las ménsulas y júntelas con un pasador de chaveta como se muestra en la ilustración.
4. Introduzca un anillo de seguro para terminar la unión.



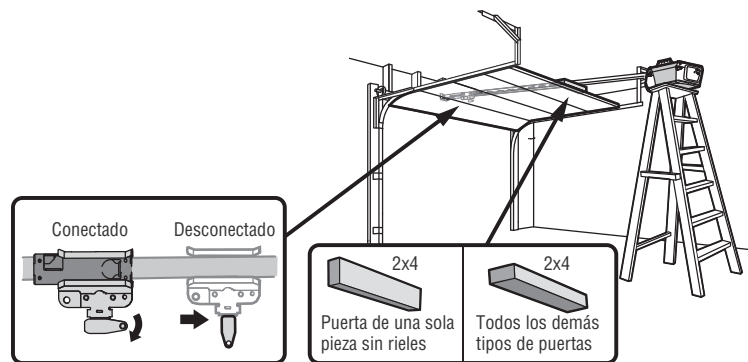
PASO 4 Colocación del abre-puertas del garaje

! PRECAUCIÓN

Para evitar que la puerta del garaje sufra daños, apoye el riel del abre-puertas de garaje sobre un pedazo de madera de 5 x 10 cm (2 x 4 pulg.) colocado en la sección superior de la puerta.

1. Retire la espuma de embalaje y ponga el abre-puertas de garaje sobre la escalera.
2. Abra la puerta totalmente y apoye acostado un tirante de madera de 3.8 cm (2 X 4 pulg.) abajo del riel. Para puertas de una pieza sin carriles, coloque el pedazo de madera de 5 x 10 cm (2 x 4 pulg.) de costado.

NOTA: Una tabla de 5 x 10 cm (2 x 4 pulg.) es ideal para fijar la distancia entre el riel y la puerta. Si la escalera no es lo suficientemente alta, va a necesitar ayuda. Si la puerta toca el carro cuando se la levanta, tire del brazo del seguro del carro para separar la parte interna de la externa. Deslice el carro externo hacia el abre-puertas de garaje. El carro puede permanecer desconectado hasta que se indique.



Instalación

PASO 5 Cuelgue el abre-puertas de garaje

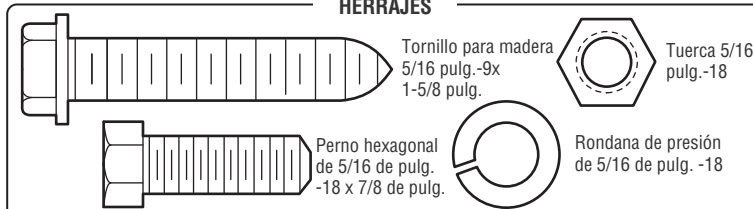
ADVERTENCIA

Para evitar la posibilidad de una **LESIÓN GRAVE** si se cae el abre-puertas de garaje, sujételo **FIRMEMENTE** a los soportes estructurales del garaje. Se **DEBEN** usar anclajes para hormigón **SI** se instalan ménsulas en la mampostería.

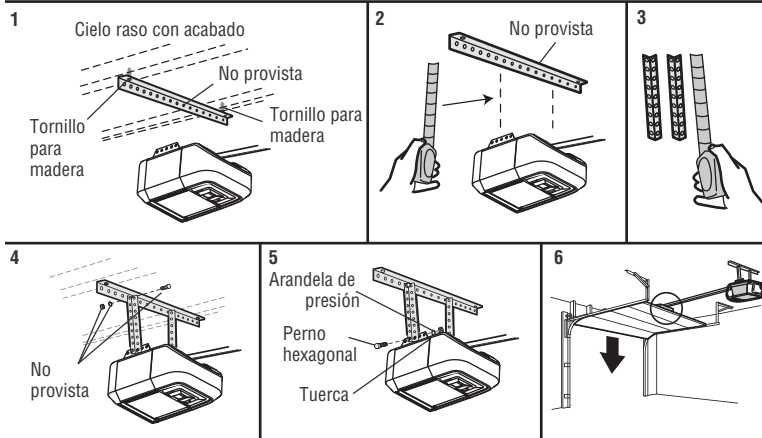
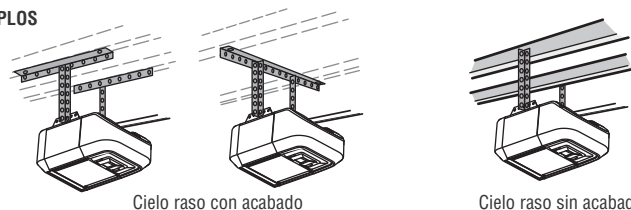
Colgará el abre-puertas de garaje según su tipo de garaje. A continuación veremos tres ejemplos de instalaciones. Quizá su instalación sea diferente. **TODAS** las instalaciones de abre-puertas de garaje **DEBEN** conectarse a soportes estructurales. En las siguientes instrucciones se muestra uno de los ejemplos.

1. En cielos rasos acabados, use tornillos de cabeza cuadrada para fijar la ménsula de soporte (no provista) a los soportes estructurales antes de instalar el abre-puertas de garaje.
2. Asegúrese de que el abre-puertas de garaje esté alineado con la ménsula del cabezal. Mida la distancia entre cada lado del abre-puertas de garaje y la ménsula de soporte.
3. Corte las dos partes de los soportes colgantes a la medida adecuada.
4. Fije un extremo de cada ménsula colgante a la ménsula de soporte con las herramientas apropiadas (no provistas).
5. Fije el abre-puertas de garaje a las ménsulas colgantes con pernos, arandelas de presión y tuercas.
6. Quite la tabla de madera de 5 x 10 cm (2 x 4 pulg.) y cierre la puerta manualmente. Si la puerta golpea el riel, suba la ménsula del cabezal.

HERRAJES



EJEMPLOS



Instalación

PASO 6 Instale la bombilla

PRECAUCIÓN

Para evitar un posible SOBRECALENTAMIENTO del panel trasero o del receptáculo para la bombilla:

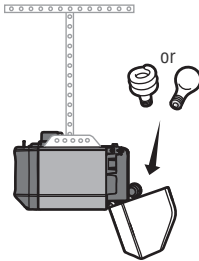
- NO utilice bombillas de cuello corto ni de tipo especial.
- NO utilice bombillas halógenas. Use SOLAMENTE bombillas incandescentes.

Para impedir daños en el abre-puertas:

- NO use bombillas de más de 100 vatios.
- Use SOLAMENTE bombillas de tamaño A19.

1. Tire los laterales superiores de la lente de luz y gire la lente hacia abajo.
2. Introduzca una bombilla A19 (100 vatios máximo) incandescente o fluorescente compacta (26 vatios, equivalente a 100 vatios) en el receptáculo para la bombilla.
3. Rote la lente suavemente hacia arriba para cerrar.

NOTA: No use bombillas de halógeno, de cuello corto o especiales, ya que pueden recalentar el panel del extremo o el casquillo de la luz. No use bombillas LED, ya que pueden reducir el alcance o el rendimiento de los controles remotos.



PASO 7 Instale la manija y la cuerda de emergencia

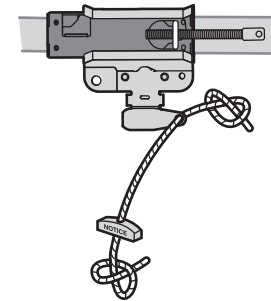
ADVERTENCIA

Para evitar la posibilidad de una LESIÓN GRAVE o incluso LA MUERTE si la puerta del garaje se cae:

- De ser posible, use el desenganche de emergencia para soltar el carro SOLO cuando la puerta del garaje esté CERRADA. Si los resortes están débiles o rotos o si la puerta está desequilibrada, podría abrirse y caer rápida y/o inesperadamente.
- NUNCA use la manija del desenganche de emergencia a menos que la entrada al garaje esté libre de obstrucciones y no haya ninguna persona presente.
- NUNCA use la manija para tirar de la puerta para abrirla o cerrarla. Si el nudo de la cuerda se suelta, usted podría caerse.

1. Inserte un extremo de la cuerda de liberación de emergencia a través de la manija. Verifique que la palabra "NOTICE" (aviso) esté hacia arriba. Asegúrelo con un nudo simple por lo menos a 2.5 cm (1 pulg.) del extremo de la cuerda para evitar que se suelte.
2. Inserte el otro extremo de la cuerda de liberación de emergencia a través del orificio del brazo de desenganche del carro. Monte la manija de liberación de emergencia de modo que esté al alcance, pero con una altura mínima de 1.83 m (6 pies) del piso para evitar el contacto con los vehículos y que se suelte accidentalmente y asegúrela con un nudo simple.

NOTA: Si es necesario cortar la cuerda de desenganche de emergencia, queme el extremo cortado con un fósforo o con un encendedor para evitar que el cordón se desate. Asegúrese de que la cuerda de desenganche de emergencia y la manija estén encima de la parte superior de los vehículos para que no se enreden.



Instalación

PASO 8 Instale la ménsula de la puerta

PRECAUCIÓN

Para puertas de garaje de fibra de vidrio, acero fino o aluminio, es **NECESARIO** un refuerzo ANTES de instalar la ménsula de puerta. Consulte con el fabricante de la puerta del garaje o distribuidor que realizó la instalación para obtener instrucciones acerca del refuerzo del abre-puertas o de juego de refuerzo. No reforzar la parte superior según lo requiere el fabricante de la puerta puede anular la garantía de la puerta.

Se necesita un refuerzo horizontal y otro vertical para las puertas de garaje livianas (fibra de vidrio, aluminio, acero, puertas con panel de vidrio, etc.) (no suministrados). Si usa un puntal horizontal, éste debe de ser lo suficientemente largo para fijarlo en dos o tres soportes verticales. Si usa un puntal vertical, éste debe de ser de la altura del panel superior. Consulte con el fabricante de la puerta del garaje o distribuidor que realizó la instalación para obtener instrucciones acerca del refuerzo del abre-puertas o de juego de refuerzo.

NOTA: Muchos de los juegos de refuerzo permiten la conexión directa de los pasadores de chaveta y del brazo de la puerta. En este caso, no necesitará instalar la ménsula de la puerta. Continúe con el siguiente paso.

OPCIÓN A - PUERTAS SECCIONALES

1. Coloque la ménsula de la puerta sobre la línea central vertical que había marcado previamente para la instalación de la ménsula del cabezal. Asegúrese de que la leyenda "UP" (arriba) esté en la posición correcta, como se indica en la parte interior de la ménsula.
2. El borde superior de la ménsula debe quedar a una distancia de 5 a 10 cm (2 a 4 pulgadas) por debajo del borde superior de la puerta. O directamente bajo un soporte transversal en la parte superior de la puerta.
3. Marque y taladre los orificios y proceda con las siguientes instrucciones de instalación, según el tipo de puerta.

Puertas metálicas o livianas con refuerzo vertical de hierro en ángulo entre el soporte del panel de la puerta y la ménsula de la puerta:

- Taladre los orificios de sujeción de 3/16 de pulg. Fije la ménsula de la puerta con dos tornillos autorroscantes de 1/4 de pulg.-14 x 5/8 de pulg. (Figura 1)
- Como alternativa puede usar dos pernos de 5/16 de pulg. con arandelas de presión y tuercas (no incluidos). (Figura 2)

Puertas metálicas, con aislamiento o livianas, reforzadas de fábrica:

- Taladre los orificios de sujeción de 3/16 de pulg. Fije la ménsula de la puerta con tornillos autorroscantes. (Figura 3)

Puertas de madera:

- Use los orificios laterales o superior e inferior de la ménsula de la puerta. Haga los agujeros correspondientes de 5/16 de pulg. en la puerta y fije la ménsula con pernos de cabeza redonda de 5/16 de pulg.-18 x 2 pulg., arandelas de seguro y tuercas (no incluidos). (Figura 4)

NOTA: Los tornillos autorroscantes de 1/4 de pulg.-14 x 5/8 de pulg. no son aptos para las puertas de madera.

HERRAJES

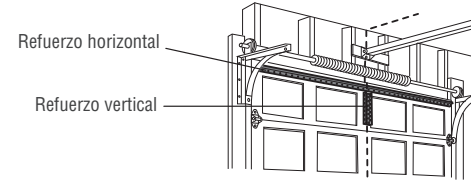
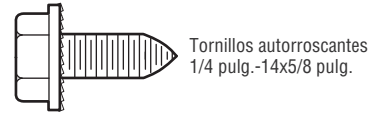


FIGURA 1

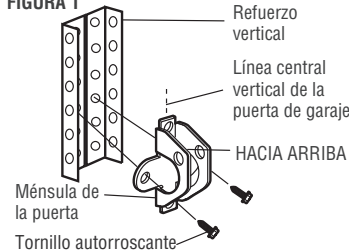


FIGURA 2

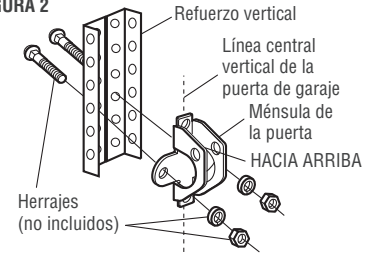


FIGURA 3

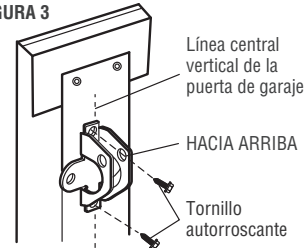
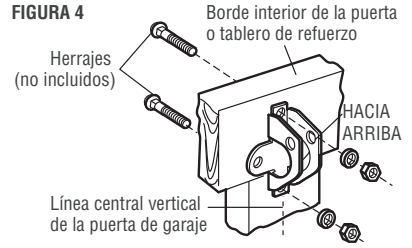


FIGURA 4



Instalación

PASO 8 Instale la ménsula de la puerta (continuación)

OPCIÓN B - PUERTAS DE UNA SOLA PIEZA

1. Coloque la ménsula de la puerta en el centro de la parte superior de la misma, alineada con la ménsula del cabezal, según se muestra.
2. Marque ya sea los orificios derecho e izquierdo o superior e inferior.

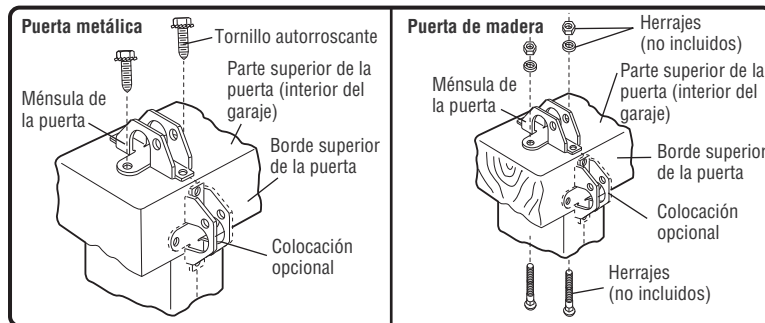
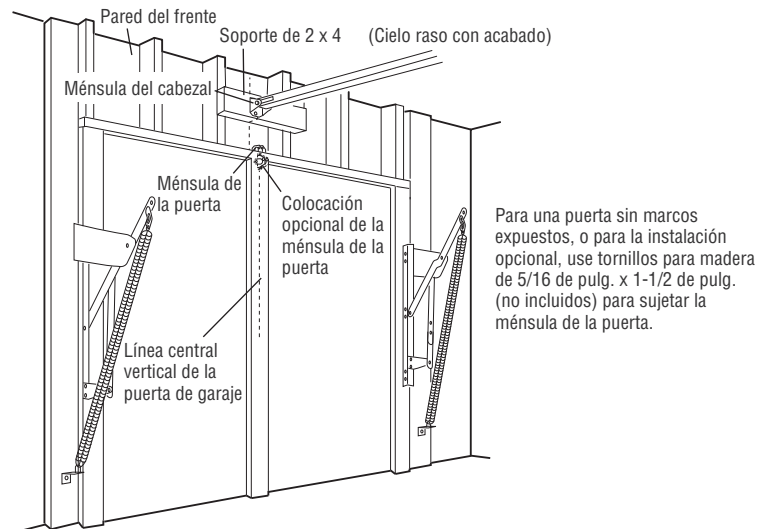
Puertas metálicas:

- Taladre los orificios guía de 3/16 de pulg. y ajuste la ménsula con los tornillos autorroscantes provistos.

Puertas de madera:

- Taladre orificios de 5/16 de pulg. y use pernos con cabeza redonda de 5/16 de pulg., arandelas de presión y tuercas (no provistas) o tornillos de cabeza cuadrada de 5/16 de pulg. x 1-1/2 de pulg. (no provistos), dependiendo de lo que necesite para su instalación.

NOTA: La ménsula de la puerta puede instalarse sobre el borde superior de la puerta si es necesario para su instalación. (Vea la ilustración de colocación opcional, señalada con la línea punteada).



Instalación

PASO 9 Conecte el brazo de la puerta al carro

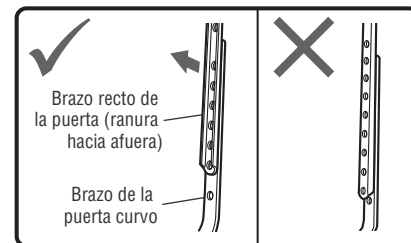
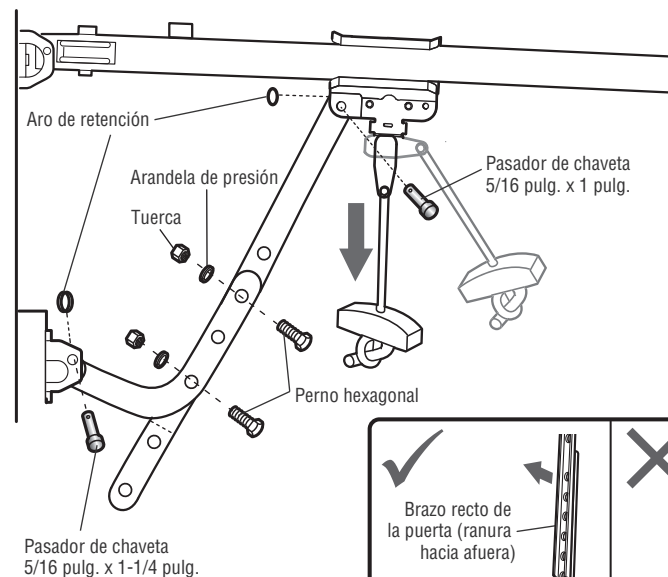
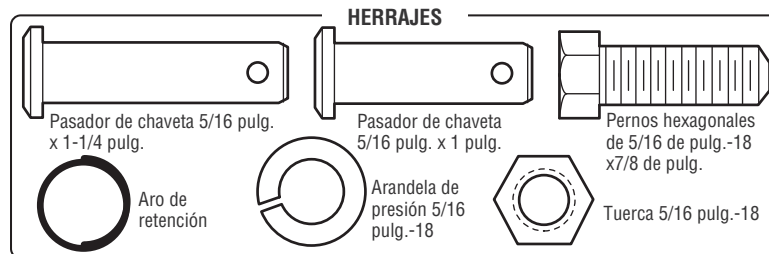
Los procedimientos de instalación varían según el tipo de puerta de garaje. Siga las instrucciones que correspondan a su puerta.

OPCIÓN A - PUERTAS SECCIONALES

IMPORTANTE: El ranura en el brazo recto de la puerta DEBE voltearse del brazo curvado de la puerta.

1. Cierre la puerta. Desconecte el trole tirando de la manija de desenganche de emergencia.
2. Acople el brazo recto de la puerta al carro exterior usando el pasador de chaveta. Asegúrelo con el aro de retención.
3. Acople el brazo curvo de la puerta a la ménsula de la puerta usando el pasador de chaveta. Asegúrelo con el aro de retención.
4. Junte las dos secciones. Busque dos pares de orificios que estén alineados y una las secciones. Elija orificios lo más apartados posible para aumentar la rigidez del brazo de la puerta y sujete usando los pernos, las tuercas y las arandelas de cierre.
5. Tire de la manija de desenganche de emergencia hacia el abre-puertas hasta que el brazo del carro quede en posición horizontal. El carro se reconectará automáticamente cuando se accione el abre-puertas de garaje.

NOTA: Si los orificios en el brazo curvo y en el brazo recto de la puerta no quedan alineados, invierta el brazo recto, elija dos orificios (lo más apartados posible) y sujételos usando los pernos, las tuercas y las arandelas de cierre. Si el brazo recto de la puerta cuelga demasiado alejado, puede cortar 15 cm (6 pulgadas) del lado que no tiene orificios.



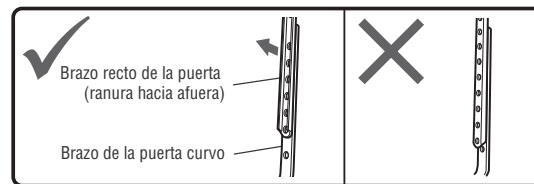
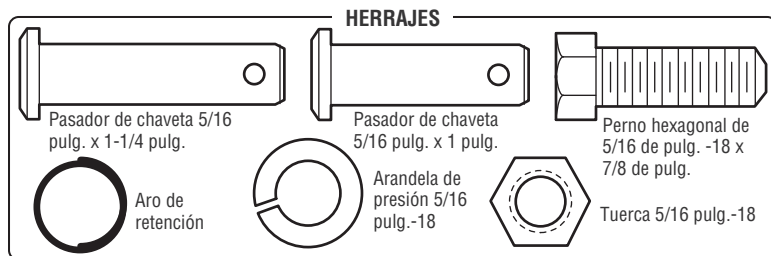
Instalación

PASO 9 Conecte el brazo de la puerta al carro (continuación)

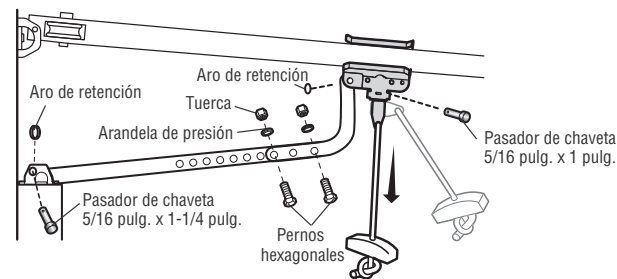
OPCIÓN B - PUERTAS DE UNA SOLA PIEZA

IMPORTANTE: El ranura en el brazo recto de la puerta DEBE voltearse del brazo curvado de la puerta.

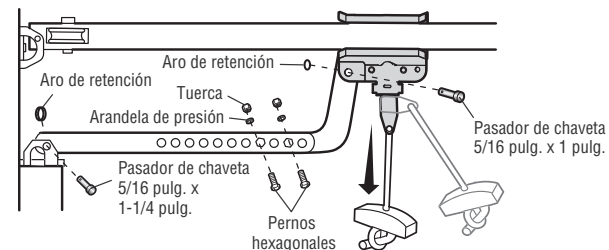
1. Cierre la puerta. Desconecte el trole tirando de la manija de desenganche de emergencia.
2. Fije los brazos de la puerta (recto y curvo) a la mayor distancia posible (una superposición de 2 o 3 orificios) usando los pernos, las tuercas y las arandelas de cierre.
3. Acople el brazo recto de la puerta a la mensula de la puerta usando el pasador de chaveta. Asegúrelo con el aro de retención.
4. Acople el brazo curvo de la puerta al carro usando el pasador de chaveta. Asegúrelo con el aro de retención.
5. Tire de la manija de desenganche de emergencia hacia el abre-puertas hasta que el brazo del carro quede en posición horizontal.



Puerta de una pieza sin riel



Puerta de una pieza con riel



Instalación

PASO 10 Instale el control de la puerta

ADVERTENCIA

Para evitar posibles LESIONES GRAVES o la MUERTE por electrocución:

- ANTES de instalar el control de puerta, verifique que NO esté conectada la energía eléctrica.
- Conecte el control de la puerta SOLO a cables de bajo voltaje de 12 VOLTIOS.

Para evitar la posibilidad de una LESIÓN GRAVE o LA MUERTE cuando la puerta del garaje se esté cerrando:

- Instale el control de la puerta a la vista desde la puerta del garaje, fuera del alcance de los niños a una altura mínima de 1.5 m (5 pies) sobre pisos, escalones y cualquier superficie peatonal cercana, y lejos de TODAS las partes móviles de la puerta.
- NUNCA permita que los niños hagan funcionar o jueguen con los botones del control de la puerta ni con los transmisores del control remoto.
- Abra/cierre una puerta de garaje SOLO si la puede ver claramente, si está correctamente instalada y si no hay ninguna obstrucción en su recorrido.
- SIEMPRE mantenga la puerta de garaje a la vista hasta que esté completamente cerrada. NUNCA permita que alguien se atraviese en el recorrido de la puerta del garaje cuando se está cerrando.

INTRODUCCIÓN

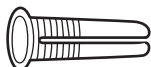
Instale el control de la puerta a la vista desde la puerta del garaje a una altura mínima de 5 pies (1.5 m) sobre pisos, escalones y cualquier superficie peatonal cercana, fuera del alcance de los niños y lejos de TODAS las partes móviles de la puerta.

NOTA: Es posible que su producto se vea diferente al de las ilustraciones.

HERRAJES

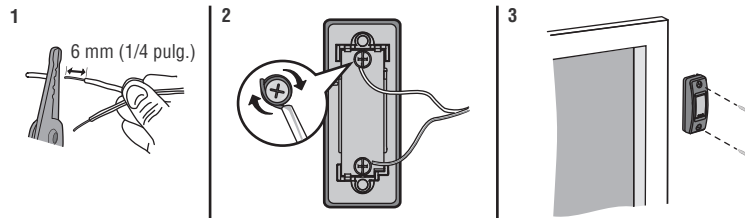


Tornillo 6ABx1-1/2 de pulg. (2)



Anclajes para tablaroca (2)

1. Pele 6 mm (1/4 de pulg.) de aislante de uno de los extremos del cable y separe los cables.
2. Conectar un cable a cada uno de los dos tornillos en la parte de atrás del control de la puerta. Los cables pueden conectarse indistintamente a cualquiera de los terminales de tornillo.
3. Monte el control de la puerta con los herrajes provistos.



Instalación

PASO 13 Instale el Protector System®

ADVERTENCIA

Asegúrese de que la energía eléctrica NO esté conectada al abre-puertas de garaje ANTES de instalar los sensores de reversa de seguridad.

Para evitar la posibilidad de sufrir una LESIÓN GRAVE o LA MUERTE cuando la puerta del garaje se esté cerrando:

- Conecte correctamente y verifique la alineación de los sensores de reversa de seguridad. Este dispositivo de seguridad es necesario y NO se DEBE desactivar.
- Instale el sensor de reversa de seguridad de modo que el haz NO SUPERE 15 cm (6 pulg.) sobre el nivel del piso.

INFORMACIÓN IMPORTANTE CON RESPECTO A LOS SENSORES DE REVERSA DE SEGURIDAD Los sensores de reversa de seguridad deben estar bien conectados y alineados antes de que el abre-puertas de garaje se mueva hacia abajo.

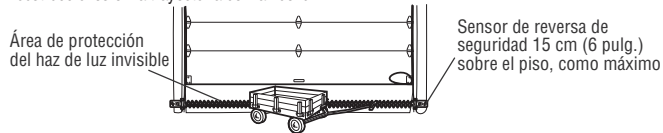
El sensor emisor (LED ámbar) transmite un haz de luz invisible hacia el sensor receptor (LED verde). Si una obstrucción interrumpe el haz de luz mientras la puerta se está cerrando, la puerta se detendrá y regresará a la posición totalmente abierta, y las luces del abre-puertas de garaje parpadearán 10 veces.

NOTA: Para ahorrar energía, el abre-puertas de garaje pasará a modo pasivo cuando la puerta esté totalmente cerrada. En modo pasivo, el abre-puertas de garaje permanece apagado hasta que vuelva a activarse. En modo pasivo está en sincronización con la bombilla del abre-puertas de garaje. Al apagarse la bombilla, se apagarán los DEL de los sensores y cuando se enciendan las luces del abre-puertas de garaje, se encenderán los DEL del sensor.

El abre-puertas de garaje no pasará al modo pasivo hasta que haya completado 5 ciclos desde que se accionó.

Al instalar los sensores de reversa de seguridad verifique lo siguiente:

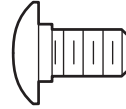
- Que los sensores estén instalados dentro del garaje, uno de cada lado de la puerta.
- Que los sensores estén orientados frente a frente con las lentes alineadas, y que la lente del sensor receptor no reciba la luz directa del sol.
- Que los sensores estén montados a una altura máxima de 15 cm (6 pulg.) sobre el piso y que no haya obstrucciones en la trayectoria del haz de luz.



Vista de la puerta desde el interior del garaje.

HERRAJES

Perno de carro 1/4 pulg.
-20x1/2 pulg.



Tuerca de mariposa
1/4 de pulg.-20

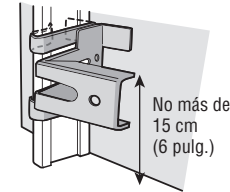


Puede conectar los sensores de reversa de seguridad al carril de la puerta, a la pared o al piso. Los sensores no deben estar a más de 15 cm (6 pulgadas) por encima del piso. Si el carril de la puerta no sostiene firmemente la ménsula del sensor, es mejor instalarlos sobre la pared. Opte por uno de los siguientes tipos de instalación.

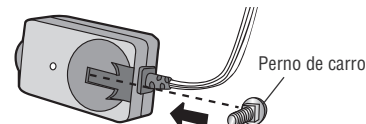
OPCIÓN A - INSTALACIÓN EN EL CARRIL DE LA PUERTA

1. Deslice los brazos curvos de la ménsula del sensor sobre el borde del carril de la puerta. Colóquelos en su posición de modo que la ménsula del sensor quede al ras del carril.
2. Introduzca el perno de coche en la ranura correspondiente de cada sensor.
3. Introduzca el perno en el orificio de la ménsula del sensor y fije con tuercas mariposa. Las lentes de ambos sensores deben quedar frente a frente. Verifique que la ménsula del sensor no obstruya las lentes.

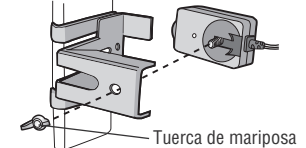
1



2



3



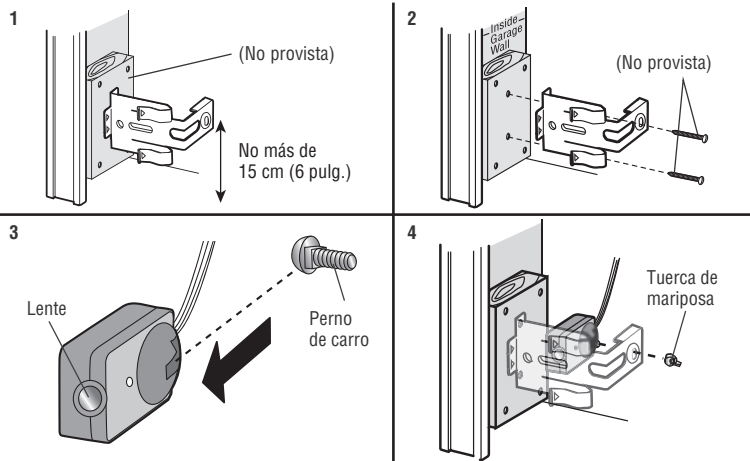
Instalación

PASO 13 Instale el Protector System (continuación)

OPCIÓN B - INSTALACIÓN EN LA PARED

Si fuera necesario más espacio puede utilizarse una ménsula de extensión (no provista) o bloques de madera. Cerciórese de que cada ménsula tenga la misma cantidad de espacio para que queden alineadas correctamente.

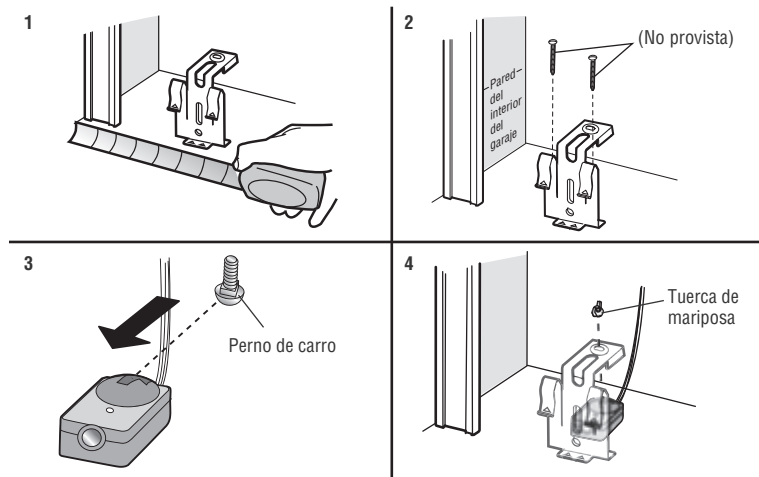
1. Coloque la ménsula del sensor contra la pared, con los brazos curvos hacia la puerta. Verifique que quede suficiente espacio para que el haz no tenga obstrucciones. Marque los orificios.
2. Taladre los orificios de 3/16 pulgadas de diámetro para cada ménsula del sensor y sujete las ménsulas del sensor a la pared con tornillos de cabeza cuadrada (no provistos).
3. Introduzca el perno de coche en la ranura correspondiente de cada sensor.
4. Introduzca el perno en el orificio de la ménsula del sensor y fije con tuercas mariposa. Las lentes de ambos sensores deben quedar frente a frente. Verifique que la ménsula del sensor no obstruya las lentes.



OPCIÓN C - INSTALACIÓN EN EL PISO

Use una ménsula de extensión (no provista) o un bloque de madera para elevar la ménsula del sensor si es necesario.

1. Mida cuidadosamente la posición de ambas ménsulas del sensor para que haya la misma distancia desde la pared sin obstáculos en el medio.
2. Sujete las ménsulas de sensor al piso con anclajes para hormigón (no provistos).
3. Introduzca el perno de coche en la ranura correspondiente de cada sensor.
4. Introduzca el perno en el orificio de la ménsula del sensor y fije con tuercas mariposa. Las lentes de ambos sensores deben quedar frente a frente. Verifique que la ménsula del sensor no obstruya las lentes.



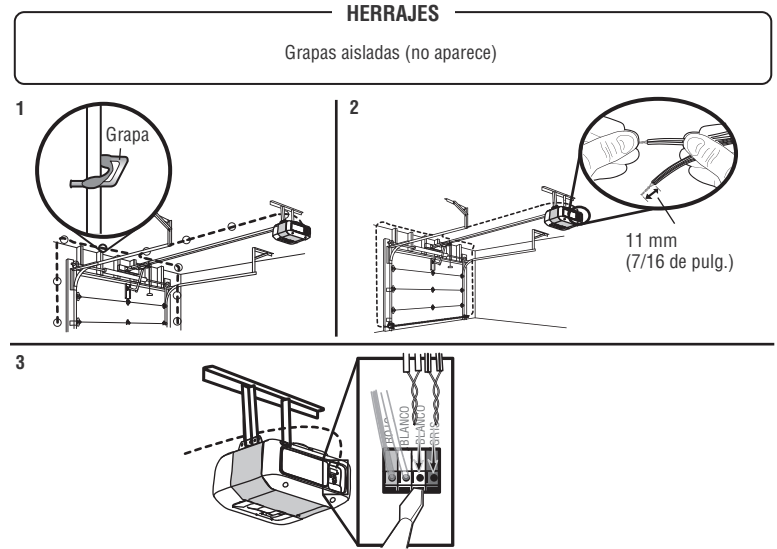
Instalación

PASO 14 Cableado de los sensores de reversa de seguridad

Si el garaje ya tiene cables instalados para los sensores de reversa de seguridad, continúe con página 26.

OPCIÓN A INSTALACIÓN SIN CABLEADO PREVIO

1. Instale los cables desde ambos sensores hasta el abre-puertas de garaje. Fije los cables a la pared y al cielo raso con grapas.
2. Pele 11 mm (7/16 de pulg.) de cada juego de cables. Separe los cables. Retuerza juntos los cables blancos. Retuerza juntos los cables blanco/negro.
3. Introduzca los cables blancos al terminal blanco del abre-puertas de garaje. Introduzca los cables blanco/negro en el terminal gris del abre-puertas de garaje. Para conectar o desconectar un cable, empujar la pestaña con la punta de un destornillador.

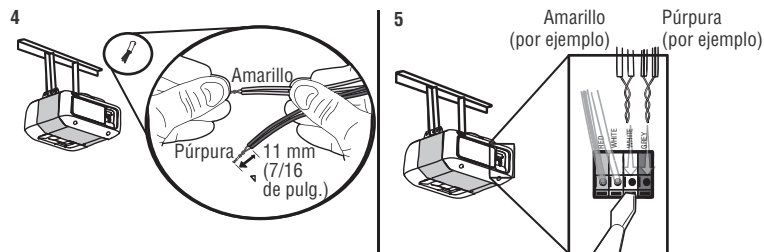
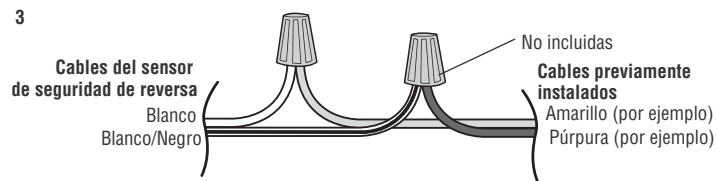
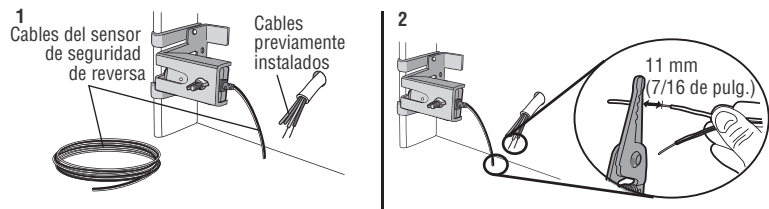


Instalación

PASO 14 Cableado de los sensores de reversa de seguridad (continua)

OPCIÓN B INSTALACIÓN CON CABLEADO PREVIO

1. Corte el extremo del cable del sensor de reversa de seguridad dejando cable suficiente para que llegue a los cables preinstalados en la pared.
2. Separe los cables del sensor de reversa de seguridad y pele 11 mm (7/16 de pulg.) de cada extremo. Elija dos de los cables preinstalados y pele 11 mm (7/16 de pulg.) de cada extremo. Asegúrese de elegir el mismo color de cable preinstalado para cada sensor.
3. Conecte los cables preinstalados con los cables del sensor, usando capuchones de empalme. Verifique que los colores correspondan a cada sensor. Por ejemplo, el cable blanco se conecta con el cable amarillo y el cable blanco/negro se conecta con el cable púrpura.
4. En el abre-puertas de garaje, pele 11 mm (7/16 de pulg.) de cada extremo de los cables elegidos previamente para los sensores de reversa de seguridad. Retuerza juntos los cables de colores similares. Introduzca los cables conectados con los cables blancos del sensor de seguridad al terminal blanco en el abre-puertas de garaje. Introduzca los cables conectados con los cables blanco/negro del sensor de seguridad al terminal gris en el abre-puertas de garaje.



Para conectar o desconectar un cable, empujar la pestaña con la punta de un destornillador.

Instalación

PASO 15 Conecte la alimentación eléctrica



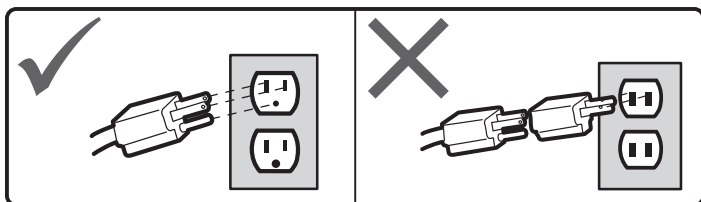
ADVERTENCIA

Para evitar posibles LESIONES GRAVES o la MUERTE por electrocución o incendio:

- Asegúrese de que el abre-puertas NO esté conectado a la energía eléctrica y desconecte la energía eléctrica al circuito ANTES de quitar la cubierta para establecer la conexión del cableado permanente.
- Tanto la instalación como el cableado de la puerta del garaje DEBEN cumplir con TODOS los códigos locales eléctricos y de construcción.
- NUNCA use una extensión ni un adaptador de dos hilos, tampoco modifique la clavija para poder enchufarla. Asegúrese de que el abre-puertas esté puesto a tierra.

Para evitar problemas con la instalación, no opere el abre-puertas de garaje ahora.

Para reducir el riesgo de choque eléctrico, su abre-puertas de garaje viene con una clavija de conexión a tierra de tres patas. Esta clavija sólo se puede conectar a un tomacorriente con puesta a tierra y con tres entradas. Si la clavija no entra en el enchufe que usted tiene, diríjase a un electricista profesional para que instale el enchufe correcto.



Hay dos opciones para conectar la alimentación eléctrica:

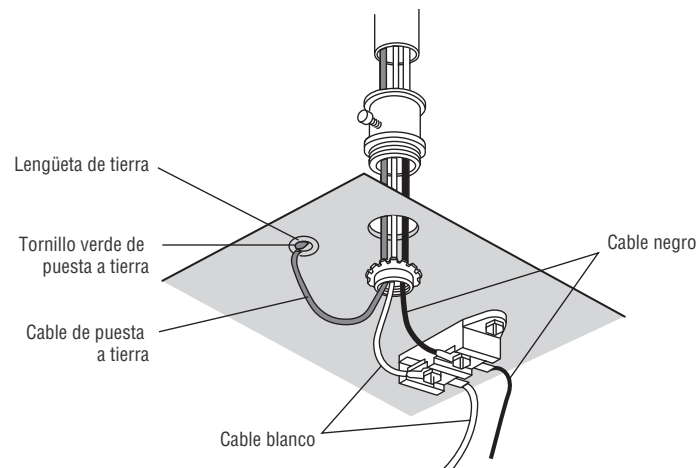
OPCIÓN A - CONEXIÓN TÍPICA

1. Enchufe el abre-puertas a un tomacorriente con puesta a tierra.
2. Por el momento, NO ponga en funcionamiento el abre-puertas.

OPCIÓN B - CABLEADO PERMANENTE

Si la reglamentación local exige que su abre-puertas tenga cableado permanente, siga los siguientes pasos. Para hacer una conexión permanente a través de la entrada de 7/8 de pulg. en la parte superior del motor (según las normas municipales vigentes):

1. Quite los tornillos de la tapa del abre-puertas y deje la cubierta hacia un lado.
2. Quite el cable de tres entradas.
3. Conecte el cable (línea) negro al tornillo del terminal de cobre, el cable blanco (neutral) al tornillo del terminal color plata, y el cable a tierra al tornillo verde de la puesta a tierra. **El abre-puertas debe estar puesto a tierra.**
4. Volver a colocar la tapa.



Instalación

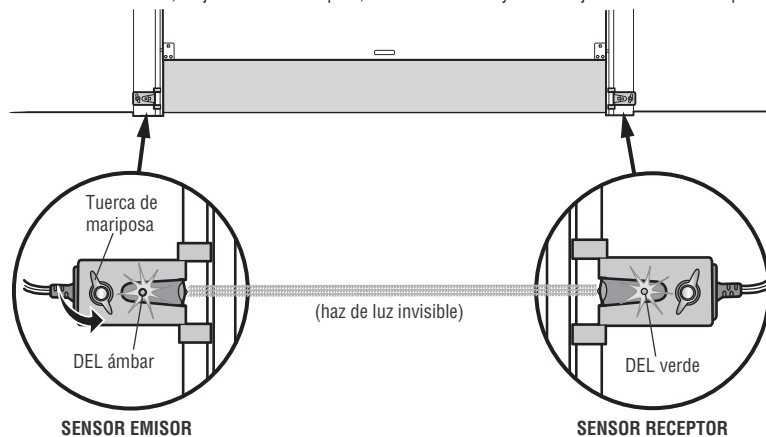
PASO 16 Alinee los sensores de reversa de seguridad

La puerta no se cerrará si los sensores no están instalados y alineados correctamente.

Si el haz de luz está desalineado o se ve obstaculizado cuando la puerta se está cerrando, esta invertirá su dirección y las luces del abre-puerta de garaje parpadearán diez veces. Si la puerta ya está abierta, no se cerrará.

1. Verifique que los DEL de ambos sensores estén encendidos permanentemente. Si los sensores están conectados y alineados correctamente, los DEL quedarán encendidos en forma permanente.

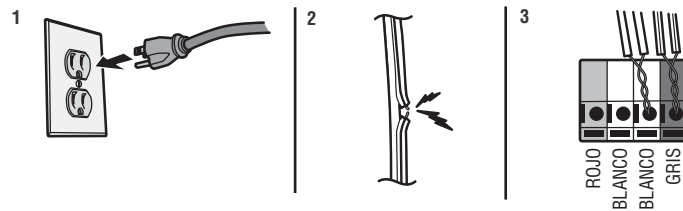
Para alinear los sensores, afloje las tuercas mariposa, alinee los sensores y vuelva a ajustar las tuercas mariposa.



Si el sensor receptor está expuesto a la luz solar directa, invértalo de posición con el sensor emisor, de modo que quede en el lado opuesto de la puerta.

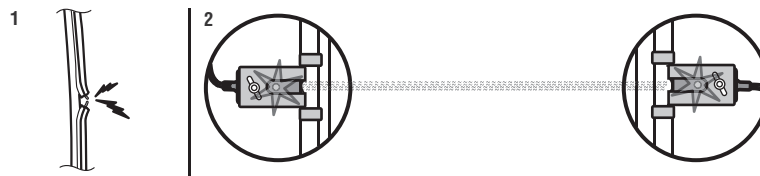
SI EL DEL ÁMBAR DEL SENSOR EMISOR NO SE ENCIENDE:

1. Verifique que llegue energía eléctrica al abre-puertas.
2. Verifique que no haya un cortocircuito ni el sensor esté roto.
3. Verifique que el sensor esté correctamente conectado: cables blancos al terminal blanco y cables blanco/negro al terminal gris.



SI EL DEL VERDE DEL SENSOR RECEPTOR NO SE ENCIENDE:

1. Verificar que no haya un cortocircuito ni el sensor esté roto.
2. Asegúrese de que los sensores estén alineados.



PASO 17 Verificar que el instalación de alambres para el control remoto es correctamente

El DEL que se encuentra detrás del botón en el control de la puerta parpadeará si está instalado correctamente.

Ajustes

Introducción

ADVERTENCIA

Si el sistema de reversa de seguridad no se ha instalado debidamente, las personas (y los niños pequeños en particular) podrían sufrir LESIONES GRAVES o incluso la MUERTE cuando se cierre la puerta del garaje.

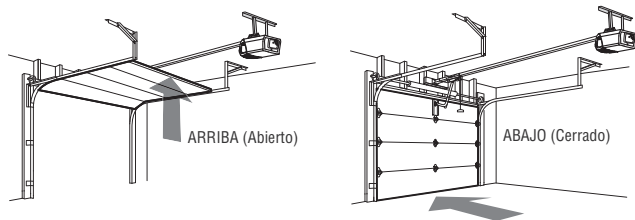
- El ajuste incorrecto de los límites del recorrido de la puerta del garaje habrá de interferir con la operación adecuada del sistema de reversa de seguridad.
- Después de llevar a cabo CUALQUIER ajuste, SE DEBE probar el sistema de reversa de seguridad. La puerta DEBE retroceder al entrar en contacto con un objeto de 3.8 cm (1 1/2 de pulg.) de altura (o de 5 x 10 cm [2 x 4 pulg.] acostado en el piso).

PRECAUCIÓN

Para evitar daños en los vehículos, asegúrese de que haya suficiente espacio cuando la puerta esté completamente abierta.

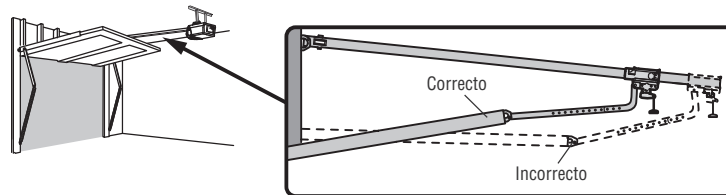
El abre-puertas de garaje está diseñado con controles electrónicos que facilitan su instalación y regulación. Puede regularse el punto de parada de la puerta en su posición abierta (arriba) y cerrada (abajo). Los controles electrónicos detectan la fuerza que es necesaria para abrir y para cerrar la puerta. La fuerza se ajusta automáticamente cuando se programa el recorrido.

NOTA: Si algo interfiere con el recorrido de la puerta en su trayectoria hacia arriba, la puerta se detendrá. La puerta invertirá su dirección de movimiento si encuentra una interferencia en su movimiento hacia abajo.



Solamente para las puertas de una sola pieza

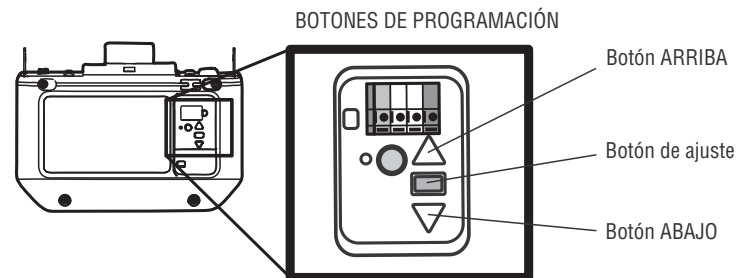
Al configurar el recorrido hacia ARRIBA de una puerta de una sola pieza, verifique que la puerta no quede inclinada hacia atrás al abrirse completamente (ARRIBA). Si la puerta queda inclinada hacia atrás se deformará, hará movimientos irregulares y/o se sacudirá al abrir o al cerrar.



Botones de programación

BOTONES DE PROGRAMACIÓN

Los botones de programación están en el panel posterior del abre-puertas de garaje y se utilizan para programar el recorrido de la puerta. Durante la programación, los botones de arriba y abajo pueden utilizarse para mover la puerta cuando sea necesario.



Ajustes

PASO 1 Programación del recorrido

ADVERTENCIA

Si el sistema de reversa de seguridad no se ha instalado debidamente, las personas (y los niños pequeños en particular) podrían sufrir LESIONES GRAVES o incluso la MUERTE cuando se cierre la puerta del garaje.

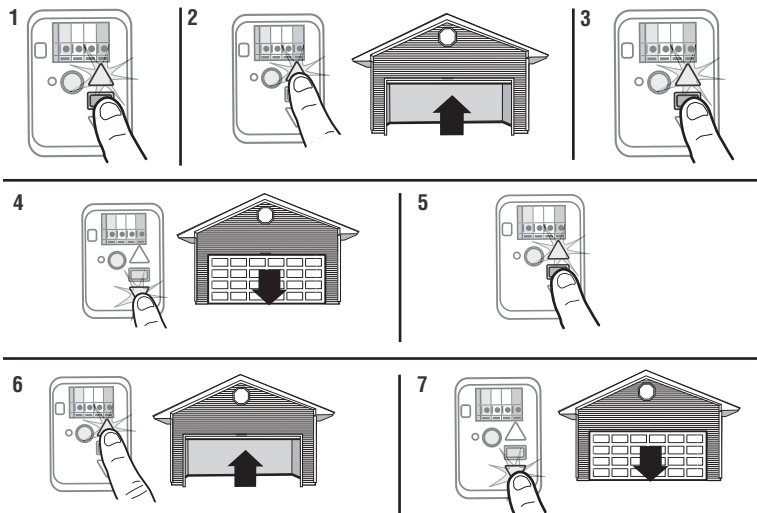
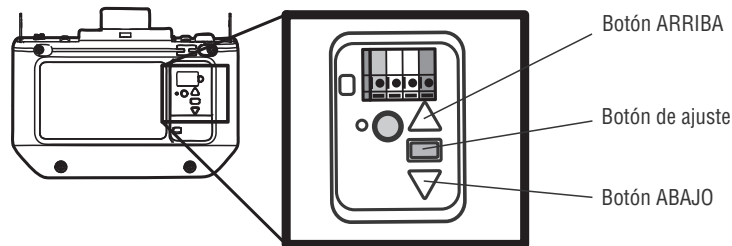
- El ajuste incorrecto de los límites del recorrido de la puerta del garaje habrá de interferir con la operación adecuada del sistema de reversa de seguridad.
- Después de llevar a cabo CUALQUIER ajuste, SE DEBE probar el sistema de reversa de seguridad. La puerta DEBE retroceder al entrar en contacto con un objeto de 3.8 cm (1 1/2 de pulg.) de altura (o de 5 x 10 cm [2 x 4 pulg.] acostado en el piso).

Durante la programación, los botones de arriba y abajo pueden utilizarse para mover la puerta cuando sea necesario.

1. Mantenga presionado el botón de Ajuste hasta que el botón ARRIBA (UP) empiece a parpadear y/o se escuche una señal sonora.
2. Mantenga presionado el botón ARRIBA (UP) hasta que la puerta se encuentre en la posición deseada.
3. Una vez que la puerta esté en la posición deseada, presione y suelte el botón de Ajuste. Las luces del abre-puertas de garaje parpadearán dos veces y el botón ABAJO (DOWN) comenzará a parpadear.
4. Presione y mantenga presionado el botón ABAJO (DOWN) hasta que la puerta se encuentre en la posición deseada.>
5. Una vez que la puerta esté en la posición deseada, presione y suelte el botón de Ajuste. Las luces del abre-puertas de garaje parpadearán dos veces y el botón ARRIBA (UP) comenzará a parpadear.
6. Presione y suelte el botón UP (ARRIBA). Cuando la puerta se desplace a la posición programada de ARRIBA (UP), el botón ABAJO (DOWN) empezará a parpadear.
7. Presione y suelte el botón DOWN (ABAJO). La puerta se desplazará a la posición programada de ABAJO (DOWN). La programación ha finalizado.

* Si las luces del abre-puertas de garaje parpadean cinco veces durante los pasos de programación del recorrido, significa que ha pasado el tiempo asignado a la programación. Si las luces del abre-puertas de garaje parpadean 10 veces durante la programación del recorrido, significa que los sensores de reversa de seguridad están mal alineados u obstruidos (consulte página 28). Cuando los sensores estén bien alineados y no haya obstrucción, abra y cierre la puerta con el control remoto o con los botones de ARRIBA (UP) y ABAJO (DOWN). La programación ha finalizado. Si no puede operar la puerta hacia arriba o hacia abajo, repita los pasos de Programación del recorrido.

BOTONES DE PROGRAMACIÓN



Para ver un video, visite tinyurl.com/kwbnhj

Ajustes

PASO 2 Pruebe el sistema de reversa de seguridad

ADVERTENCIA

Si el sistema de reversa de seguridad no se ha instalado adecuadamente, las personas (y los niños pequeños en particular) podrían sufrir LESIONES GRAVES o incluso MORIR al cerrar la puerta del garaje.

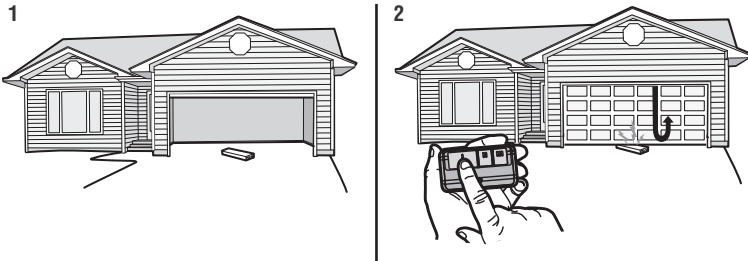
- El sistema de reversa de seguridad SE DEBE probar cada mes.
- Después de llevar a cabo CUALQUIER ajuste, SE DEBE probar el sistema de reversa de seguridad. La puerta DEBE retroceder al entrar en contacto con un objeto de 3.8 cm (1-1/2 de pulg.) de altura (o de 5 x 10 cm [2 x 4 pulg.] acostado en el piso).

1. Con la puerta completamente abierta, coloque una tabla de 3.8 cm (1 1/2 de pulg.) de altura (o de 5 x 10 cm [2 x 4 pulg.] acostada en el piso), centrada abajo de la puerta del garaje.
2. Presione el botón pulsador del control remoto para cerrar la puerta. La puerta DEBE retroceder al hacer contacto con la tabla.

Si la puerta se detiene pero no retrocede:

1. Revise las instrucciones de instalación suministradas para asegurarse de seguir todos los pasos;
2. Repita la programación del desplazamiento (consulte el Paso 1 del Ajuste);
3. Repita la prueba de reversa de seguridad.

Si la prueba sigue fallando, llame a un técnico capacitado en sistemas de puertas.



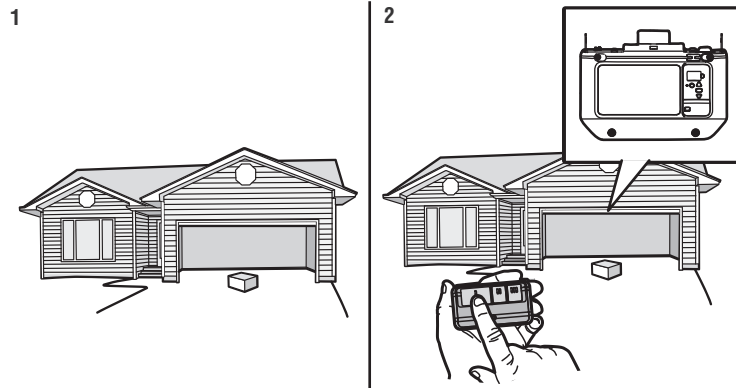
PASO 3 Pruebe el sistema Protector System

ADVERTENCIA

Si un sensor de reversa de seguridad no se ha instalado adecuadamente, las personas (y los niños pequeños en particular) podrían sufrir LESIONES GRAVES o incluso MORIR al cerrar la puerta del garaje.

1. Abra la puerta. Coloque la caja del abre-puertas de garaje en el recorrido de la puerta.
2. Presione el botón pulsador del control remoto para cerrar la puerta. La puerta no se moverá más de 2.5 cm (una pulgada), y las luces del abre-puertas de garaje parpadearán 10 veces.

El abre-puertas de garaje no se cerrará mediante un control remoto si el LED del sensor de reversa de seguridad está apagado (alertándolo de que el sensor está mal alineado u obstruido). Si el abre-puertas de garaje cierra la puerta cuando está obstruido el sensor de reversa de seguridad (y los sensores están a no más de 6 pulgadas (15 cm) por encima del suelo), llame a un técnico de sistemas de puertas.



Batería de respaldo

PASO 1 Instale la batería



ADVERTENCIA

Para reducir el riesgo de INCENDIO o de LESIONES físicas:

- Desconecte **TOTALMENTE** la corriente eléctrica y de la batería **ANTES** de realizar **CUALQUIER** servicio o mantenimiento.
- Use **SOLAMENTE** la pieza N.º 41A6357-1 de Chamberlain como batería de repuesto.
- **NO** arroje la batería al fuego. La batería puede explotar. Consulte las instrucciones para desechar baterías en los códigos locales.

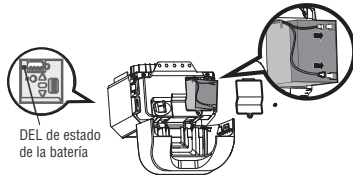


PRECAUCIÓN

Use **SIEMPRE** guantes protectores y protección para la vista al cambiar la batería o al trabajar cerca del compartimiento de la batería.

La reserva de la batería permite ingresar y salir del garaje, incluso cuando no hay energía eléctrica. No es necesario que la batería esté totalmente cargada para operar el abre-puertas de garaje. Cuando el abre-puertas de garaje funciona a batería, operará más lento, el LED de estado de la batería brillará en naranja fijo y se escuchará una señal sonora aproximadamente cada 2 segundos. Las funciones siguientes no están disponibles cuando el abre-puertas de garaje opera a batería:

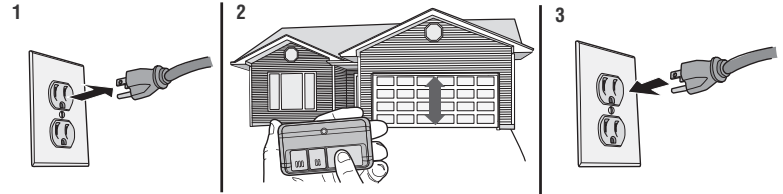
- Luces del abre-puertas de garaje
- Dispositivos y funciones de cierre en estado pasivo (p. ej. control por teléfono inteligente myQ y temporizador de cierre)



1. Desenchufe el abre-puertas.
2. Abra la tapa de la lente de luz del abre-puertas. Con un destornillador Phillips, quite la tapa de la batería del abre-puertas de garaje.
3. Coloque parcialmente la batería en su compartimiento, con las terminales hacia afuera.
4. Conecte los conductores rojo (+) y negro (-) del abre-puertas a los terminales de la batería.
5. Reemplace la cubierta de la batería.
6. Enchufe el abre-puertas de garaje.
7. Espere hasta que el LED verde de estado de la batería comience a parpadear antes de probar la batería.

PASO 2 Pruebe la batería

1. Desenchufe el abre-puertas de garaje. El LED del estado de la batería estará encendido de color anaranjado sólido, lo que indica que el abre-puertas está funcionando a batería o bien parpadeará, lo que indica que tiene la batería baja. **NOTA:** Verifique que el abre-puertas de garaje esté desenchufado.
2. Abra y cierre la puerta con el control remoto o con el control de la puerta. Si la batería no está totalmente cargada, el abre-puertas de garaje podría funcionar a menor velocidad. La batería se carga totalmente en 24 horas.
3. Enchufe el abre-puertas de garaje. Verifique que el LED verde de estado de la batería esté parpadearando, lo que indica que la batería está cargándose.



Carga de la batería

La batería se carga cuando el abre-puertas de garaje está conectado a un tomacorriente eléctrico de 120 Vca que tiene energía y requiere 24 horas para cargarse completamente. Una batería completamente cargada provee 12 Vcc al abre-puertas de garaje para uno a dos días de funcionamiento normal durante un corte de energía eléctrica. Una vez restaurada la energía eléctrica, la batería se recargará dentro de 24 horas. La batería durará aproximadamente de 1 a 2 años con un uso normal. Las instrucciones para su reemplazo se proveen con la batería. Para que la batería dure hasta su máxima capacidad y para evitar daños, desconéctela cuando el abre-puertas de garaje esté desenchufado durante un período prolongado, por ejemplo, en el caso de una casa de verano o invierno.

NOTA: Cuando el abre-puertas de garaje está en modo de reserva de batería, las luces del abre-puertas, el temporizador de cierre y las funciones de cierre remoto no están disponibles.

Control por teléfono inteligente myQ®

Conéctese con su teléfono inteligente

Herramientas necesarias:

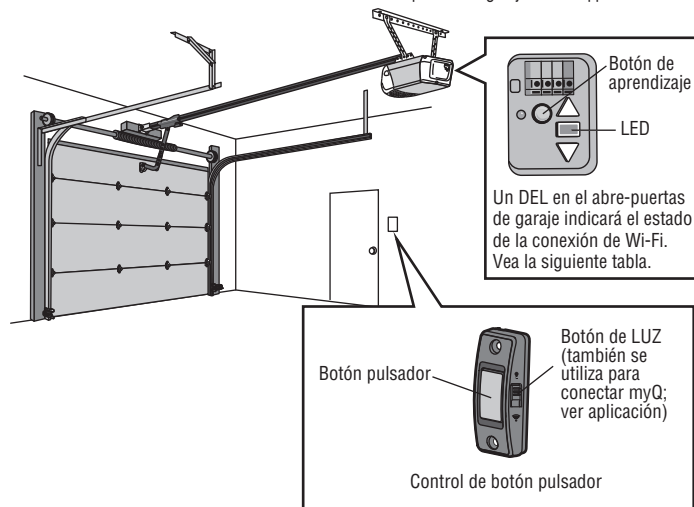
- Un teléfono inteligente, una tableta o una computadora portátil con Wi-Fi
- Conexión a Internet de banda ancha
- Señal de Wi-Fi en el garaje (**se requieren 2.4 Ghz, 802.11b/g/n**), vea la página pagina 3
- Contraseña para la red residencial (cuenta principal del router, no red de invitado)
- Número de serie myQ ubicado en el abre-puertas de garaje

Descargue la aplicación myQ para configurar una cuenta y conectarse

Abra y cierre su puerta, obtenga alertas y programe horarios desde cualquier lugar. Los abre-puertas de garaje inteligentes conectados también reciben actualizaciones de software para garantizar que el abre-puertas cuente con las últimas características operativas.

1. Descargue la aplicación de myQ.
2. Configurar una cuenta y conectarse.

Para obtener más información sobre la conexión de su abre-puertas de garaje visite support.chamberlaingroup.com.



estado de la conexión de Wi-Fi	
DEL	Definición
Azul	Apagado – La conexión Wi-Fi no está activada. Parpadeante – El abre-puertas de garaje está en modo de aprendizaje de Wi-Fi. Fijo – Dispositivo móvil conectado al abre-puertas de garaje.
Azul y verde	Parpadeante – Intentando conectar al router.
Verde	Parpadeante – Intentando conectar al servidor de Internet. Fijo – El Wi-Fi está configurado y el abre-puertas de garaje está conectado a Internet.

NOTAS:

El Control por teléfono inteligente myQ NO funcionará si el abre-puertas de garaje está operando a batería.

Para borrar la configuración de Wi-Fi, consulte pagina 37.

INSTRUCCIONES DE SEGURIDAD IMPORTANTES

ADVERTENCIA

Para reducir el riesgo de LESIONES GRAVES o la MUERTE:

1. LEA Y RESPETE TODAS LAS ADVERTENCIAS Y LAS INSTRUCCIONES.
2. SIEMPRE guarde los controles remotos lejos del alcance de los niños. NUNCA permita que los niños hagan funcionar o jueguen con los botones del control del abre-puertas de garaje o con los controles remotos.
3. SOLO active el abre-puertas de garaje siempre y cuando lo puedan ver con claridad, esté debidamente ajustado y no haya ninguna obstrucción en su recorrido al cerrarse.
4. SIEMPRE mantenga la puerta del garaje a la vista y alejada de las personas y objetos hasta que esté completamente cerrada. NADIE DEBE ATRAVESAR LA RUTA DE LA PUERTA CUANDO ESTÁ EN MOVIMIENTO.
5. NADIE DEBE CRUZAR POR DEBAJO DE UNA PUERTA DETENIDA O PARCIALMENTE ABIERTA.
6. De ser posible, use el desenganche de emergencia para soltar el carro SOLO cuando la puerta del garaje esté CERRADA. Tenga precaución cuando utilice esta liberación con la puerta abierta. Los resortes débiles o rotos o la puerta desequilibrada pueden ocasionar la caída de la puerta en forma rápida y/o inesperada, lo que aumenta el riesgo de LESIONES GRAVES o de MUERTE.
7. NUNCA use la manija del desenganche de emergencia a menos que la entrada al garaje esté libre de obstrucciones y no haya ninguna persona presente.
8. NUNCA use la manija para jalar la puerta para abrirla o cerrarla. Si el nudo de la cuerda se suelta, usted podría caerse.
9. Después de llevar a cabo CUALQUIER ajuste, SE DEBE probar el sistema de reversa de seguridad.
10. El sistema de reversa de seguridad SE DEBE probar cada mes. La puerta del garaje DEBE retroceder al entrar en contacto con un objeto de 3,8 cm (1-1/2 de pulg.) de altura (o de 5 x 10 cm [2 x 4 pulg.] acostado en el piso). Si no se ajusta el abre-puertas de garaje debidamente, aumentará el riesgo de sufrir LESIONES GRAVES o LA MUERTE.
11. MANTENGA SIEMPRE LA PUERTA DEL GARAJE DEBIDAMENTE EQUILIBRADA (consulte pagina 2). Si la puerta no está debidamente equilibrada es posible que NO retroceda cuando así se requiera y podría ocasionar una LESIÓN GRAVE o incluso la MUERTE.
12. TODAS las reparaciones necesarias para los cables, resortes y otras partes DEBEN ser realizadas por un técnico capacitado en sistemas de puertas, pues todas estas partes están bajo una tensión EXTREMA.
13. SIEMPRE desconecte el suministro de corriente eléctrica y de la batería al abre-puertas de garaje ANTES de llevar a cabo CUALQUIER reparación o de quitar las cubiertas.
14. Este sistema tiene una función de activación por estado pasivo. La puerta podría ponerse en movimiento repentinamente. NADIE DEBE ATRAVESAR LA RUTA DE LA PUERTA CUANDO ESTÁ EN MOVIMIENTO.
15. NO usarlo para puertas de una sola pieza si utiliza dispositivos de cierre automático. Los dispositivos y funciones automáticas deben usarse ÚNICAMENTE con puertas seccionales.

16. CONSERVE ESTAS INSTRUCCIONES.

Operación

Funciones

El abre-puertas de garaje tiene varias funciones para que usted pueda tener más control sobre el funcionamiento de su abre-puertas.

myQ

El abre-puertas de garaje con Wi-Fi es compatible con hasta 16 accesorios habilitados de myQ. Hasta 10 dispositivos se pueden asociar a la puerta de enlace del abre-puertas de garaje con Wi-Fi. Estos dispositivos se pueden controlar mediante la aplicación myQ. Estos dispositivos incluyen cualquier combinación de abre-puertas de garaje myQ, abre-puertas de garaje con Wi-Fi, y controles de luz myQ. Hasta 6 dispositivos se pueden asociar al abre-puertas de garaje (controlados por el abre-puertas de garaje a través de 900 MHz). Estos dispositivos incluyen cualquier combinación de controles de luz myQ o una puerta de garaje y un monitor de portón.

TEMPORIZADOR DE CIERRE (NO habilitar en puertas de una sola pieza)

La función de temporizador de cierre no está disponible en todos los controles de puerta. A continuación encontrará una lista de controles de puerta con la función de temporizador de cierre:

041A7305-1 Smart Control Panel y 041A7327-1 Panel de control con detector de movimiento.

La función de temporizador de cierre cierra el portón automáticamente después de un período de tiempo especificado. **NO active el temporizador de cierre con puertas de una pieza. El temporizador de cierre puede utilizarse ÚNICAMENTE con puertas seccionales.** Esta función viene desactivada de fábrica. Antes de que se cierre la puerta, el abre-puertas de garaje emitirá un sonido de advertencia y las luces se encenderán intermitentemente. El temporizador de cierre se desactivará si la puerta encuentra dos obstrucciones consecutivamente o los detectores de seguridad están desalineados. La puerta invertirá su dirección de movimiento y NO se volverá a cerrar hasta que se despejen las obstrucciones o los detectores de seguridad queden correctamente alineados. Una vez que se haya retirado la obstrucción o se hayan alineados los sensores de reversa de seguridad, la puerta se cerrará cuando se active nuevamente el abre-puertas de garaje. El temporizador de cierre NO se activará si el abre-puertas de garaje está funcionando con batería o si los sensores de reversa de seguridad no están alineados correctamente. Esta función NO debe ser el método principal para cerrar la puerta. **Si se usa esta función, es conveniente instalar una llave digital en caso de que el usuario quede accidentalmente del lado de afuera después de que se haya cerrado la puerta.**

CONTROLES REMOTOS Y CONTROLES DE LA PUERTA

El abre-puertas de garaje viene programado de fábrica para funcionar con el control remoto, que cambia de código cada vez que se usa (puede acceder aleatoriamente a más de cien mil millones de códigos nuevos).

Accesorios myQ	Capacidad de la memoria
Controles remoto	Hasta 8
Controles de la puerta	Hasta 2 controles de la puerta myQ
Llaves digitales	Hasta 1

THE PROTECTOR SYSTEM® (SENSORES DE REVERSA DE SEGURIDAD)

Cuando están correctamente instalados y alineados, los sensores de reversa de seguridad detectarán una obstrucción en el trayecto del haz infrarrojo. Si una obstrucción interrumpe el haz infrarrojo mientras se cierra la puerta, ésta se detendrá y retrocederá hasta la posición totalmente abierta, y las luces del abre-puertas parpadearán 10 veces. Si la puerta está totalmente abierta, y los sensores no están instalados o están desalineados, la puerta no se cerrará desde un control remoto. Sin embargo, puede cerrar la puerta si mantiene presionado el botón del control de la puerta o de la llave digital hasta que la puerta se cierre por completo. Los sensores de reversa de seguridad no afectan el ciclo de apertura.

CONSERVACIÓN DE ENERGÍA

Para ahorrar energía, el abre-puertas de garaje pasará a modo pasivo cuando la puerta esté totalmente cerrada. En modo pasivo, el abre-puertas de garaje permanece apagado hasta que vuelva a activarse. En modo pasivo está en sincronización con la bombilla del abre-puertas de garaje. Al apagarse la bombilla, se apagarán los LED de los sensores y cuando se enciendan las luces del abre-puertas de garaje, se encenderán los LED del sensor. El abre-puertas de garaje no pasará al modo pasivo hasta que haya completado 5 ciclos desde que se accionó.

LUCES

Las bombillas del abre-puertas de garaje se encenderán cuando el abre-puertas se enchufe inicialmente, al restablecerse la energía después de un corte o al activarse el abre-puertas de garaje. Las luces se apagarán automáticamente después de cuatro minutos y medio. Puede usarse una bombilla incandescente A19 (de hasta 100 vatios) o una bombilla fluorescente de alto rendimiento (CFL) de hasta 26 vatios (equivalente a 100 vatios) para obtener la máxima eficiencia de energía. **NOTA: No use bombillas de halógeno, de cuello corto o especiales, ya que pueden recalentar el panel del extremo o el casquillo de la luz. No use bombillas DEL, ya que pueden reducir el alcance o el rendimiento de los controles remotos.**

Función de iluminación

El abre-puertas de garaje está equipado con una función adicional: Las luces se encenderán si alguien entra por la puerta del garaje y se interrumpe el haz infrarrojo de los sensores de seguridad.

Operación

Cómo usar el abre-puerta de garaje

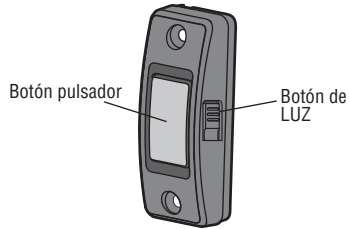
El abre-puertas puede activarse con un control de puerta montado en la pared, un control remoto, una llave digital o un accesorio myQ.

La puerta se cerrará si están abierta, o se abrirá esta cerrada. La puerta se detendrá si detecta una obstrucción o se interrumpe el movimiento. Al activarse el abre-puerta con la puerta en cualquier posición que no sea cerrada, la puerta se cerrará. Si el abre-puerta detecta una obstrucción mientras se cierra, la puerta invertirá su dirección de movimiento. Si una obstrucción interrumpe el haz del sensor, las luces del abre-puertas de garaje parpadearán 10 veces. Sin embargo, puede cerrar la puerta si mantiene presionado el botón del control o de la entrada sin llave hasta que la puerta se cierre por completo.

Los sensores de reversa de seguridad no afectan el ciclo de apertura. El sensor de reversa de seguridad debe estar bien conectado y alineado antes de que el abre-puertas de garaje se mueva hacia abajo.

Control de botón pulsador

SINCRONIZACIÓN DEL CONTROL DE LA PUERTA: Para sincronizar el control de la puerta con el abre-puertas de garaje, presione el pulsador de barra hasta que se active el abre-puertas de garaje (esto podría llevar hasta tres intentos).



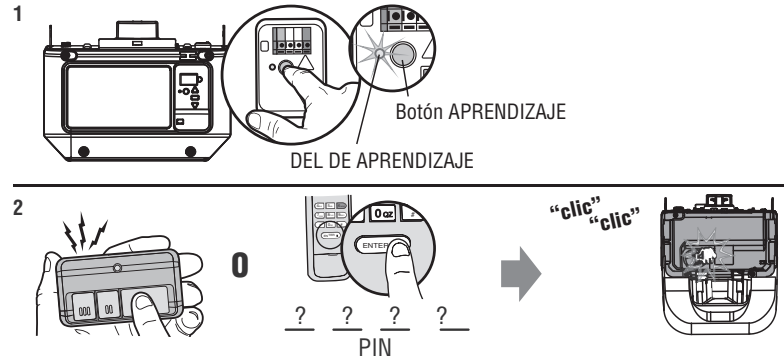
Control remoto y entrada con llave digital

Se incluye un control remoto preprogramado, no es necesario programar el control remoto. Para agregar o reprogramar un control remoto, siga las instrucciones siguientes. Los controles remotos anteriores de Chamberlain NO son compatibles. Consulte página 41 para conocer los accesorios compatibles.

PROGRAMACIÓN USANDO EL CONTROL DE LA PUERTA

1. Presione y suelte inmediatamente el botón APRENDIZAJE.
2. **Control remoto:** Oprima y mantenga oprimido el botón de control remoto que desee usar.
Entrada con llave digital: Ingrese un número de identificación personal (PIN) de 4 dígitos en el teclado con llave digital. Luego pulse el botón ENTER.

Las luces del abre-puertas se encenderán intermitentemente (o se escucharán dos clic) cuando el código quede programado. Repetir los pasos anteriores para programar otros controles remotos o teclados digitales de acceso.



Para ver un video, visite tinyurl.com/lcsf6xt

HomeLink®

Si su vehículo está equipado con HomeLink, se puede requerir un Compatibility Bridge™ (no incluido) para determinados vehículos. Visite bridge.chamberlain.com para saber si necesitará un Bridge.

Operación

Para borrar la memoria

BORRE TODOS LOS DATOS DEL CONTROL REMOTO Y DEL ACCESO CON LA LLAVE DIGITAL

1. Mantenga presionado el botón de aprendizaje (LEARN) en el abre-puertas de garaje hasta que se apague el DEL (aproximadamente 6 segundos). Se borrarán todos los códigos de los controles y entradas digitales. Vuelva a programar todo accesorio que desee usar.

BORRE TODOS LOS CONTROLES REMOTOS, ENTRADAS CON LLAVE DIGITAL Y DISPOSITIVOS myQ® DEL ABRE-PUERTAS DE GARAJE

1. Mantenga presionado el botón de aprendizaje (LEARN) en el abre-puertas de garaje hasta que se apague el DEL (aproximadamente 6 segundos).
2. Inmediatamente presione y mantenga presionado el botón de aprendizaje (LEARN) otra vez hasta que el DEL se apague. Ahora todos los códigos estarán borrados. Vuelva a programar todo accesorio que desee usar.

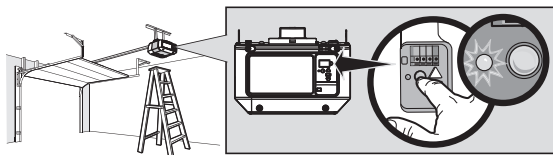
ELIMINAR LA CONEXIÓN DEL ABRE-PUERTAS A LA RED WI-FI DE SU CASA

1. Presionar y mantener presionado el botón negro de ajuste en el abre-puertas hasta escuchar 3 señales sonoras (aproximadamente 6 segundos).

BORRAR UNA CUENTA myQ

1. Visite www.mychamberlain.com para acceder a su cuenta myQ.
2. Vaya a la sección "Cuenta".
3. Haga clic en "Eliminar cuenta".

Visite support.chamberlaingroup.com para obtener más detalles.



Para abrir la puerta manualmente

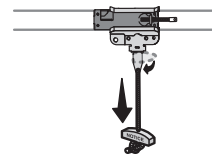
⚠ ADVERTENCIA

Para evitar la posibilidad de una LESIÓN GRAVE o incluso LA MUERTE si la puerta del garaje se cae:

- De ser posible, use el desenganche de emergencia para soltar el carro SOLO cuando la puerta del garaje esté CERRADA. Si los resortes están débiles o rotos o si la puerta está desequilibrada, podría abrirse y caer rápida y/o inesperadamente.
- NUNCA use la manija del desenganche de emergencia a menos que la entrada al garaje esté libre de obstrucciones y no haya ninguna persona presente.
- NUNCA use la manija para tirar de la puerta para abrirla o cerrarla. Si el nudo de la cuerda se suelta, usted podría caerse.

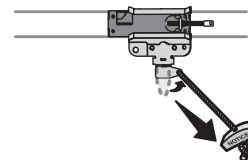
DESCONECTE EL CARRO

1. Si es posible, la puerta se debe cerrar completamente.
2. Jale la manija de desenganche de emergencia para que el brazo de desenganche del carro quede en posición vertical. A continuación, la puerta se puede subir y bajar manualmente siempre que sea necesario.



VOLVER A CONECTAR EL CARRO

1. Jale la manija de desenganche de emergencia hacia el abre-puertas de garaje para que el brazo del carro quede en posición horizontal. El carro se volverá a conectar en la próxima operación de movimiento hacia ARRIBA o hacia ABAJO, ya sea manualmente o usando el control de de la puerta o el control remoto.



Mantenimiento

Plan de mantenimiento

MENSUAL

- Haga funcionar la puerta manualmente. Si está desequilibrada o se atasca, llame a un técnico capacitado en sistemas de puertas.
- Verifique que la puerta se abra y se cierre completamente. Prueba del sistema de reversa de seguridad. Ajustar si es necesario, vea pagina 29.
- Pruebe el sistema de reversa de seguridad. Prueba del sistema de reversa de seguridad. Ajustar si es necesario, vea pagina 31.

ANUALMENTE

- Ponga aceite en los rodillos, los cojinetes y las bisagras de la puerta. El abre-puertas de garaje no necesita lubricación adicional. No lubrique los rieles de la puerta.
- Pruebe la reserva de la batería y considere su reemplazo para asegurarse de que el abre-puertas de garaje funcione durante un corte de energía eléctrica. Consulte pagina 32 para probar la reserva de la batería.

ADVERTENCIA: Este dispositivo cumple con la Parte 15 de la reglamentación de la FCC y los estándares RSS exentos de licencia de Industry Canada. La operación está sujeta a las siguientes dos condiciones: (1) este dispositivo no puede causar interferencia perjudicial, y (2) este dispositivo debe aceptar cualquier interferencia recibida, incluyendo la interferencia que puede causar una operación no deseable.

Cualquier cambio o modificación no expresamente aprobada por la parte responsable del cumplimiento podría anular la autoridad del usuario para operar el equipo.

Instalar este dispositivo de manera que quede una distancia mínima de 20 cm (8 pulg.) entre el dispositivo y los usuarios/transeúntes.

Este equipo ha sido verificado y cumple con los límites para un dispositivo digital de Clase B, conforme con la Parte 15 de las normas de la FCC y el estándar ICES de Industry Canada. Estos límites se establecen para brindar un nivel razonable de protección contra interferencias perjudiciales en instalaciones residenciales. Este equipo genera, usa y puede emitir energía de radiofrecuencia. Si no se instala y utiliza de acuerdo con las instrucciones, podrá causar interferencia con comunicaciones radiales. Aun así, no hay garantía de que no se produzcan interferencias en una instalación particular. Si este equipo produce interferencia en la recepción de radio o televisión, lo cual puede determinarse apagando y encendiendo la unidad, el usuario debe tratar de corregir el problema por medio de lo siguiente:

- Volver a orientar o reubicar la antena receptora.
- Aumentar la distancia entre el equipo y el receptor.
- Conectar el equipo en una salida de un circuito distinto del circuito al que está conectado el receptor.
- Consultar con el distribuidor o con un técnico de radio/TV experimentado para pedir ayuda.

La batería del control remoto

ADVERTENCIA

Para evitar posibles LESIONES GRAVES o la MUERTE:

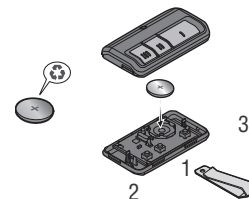
- NUNCA permita la presencia de niños cerca de las pilas/baterías.
- Si alguien ingiere una pila/batería, llame al médico de inmediato.

Para reducir el riesgo de incendio, explosión o quemadura química:

- Reemplace las pilas solo por pilas tipo botón de 3V CR2032.
- NO recargue, desarme, caliente por encima de los 100 °C (212 °F) ni incinere la pila o batería.

La batería de litio CR2032 de 3V debe producir energía durante 3 años. Si la batería está baja, el LED del control remoto no parpadeará cuando se presione el botón.

Para reemplazar la batería, abra la caja primero por el medio (1), luego por cada lado (2 y 3) con el broche para visera. Reemplace las baterías solo por baterías tipo botón de 3V CR2032. Coloque la batería con el lado positivo hacia arriba. Deseche las pilas usadas en forma adecuada.



Resolución de problemas

Tabla de diagnóstico

El abre-puertas de garaje viene programado con funciones de autodiagnóstico. Las flechas hacia ARRIBA y ABAJO parpadean para mostrar los códigos de diagnóstico.

CÓDIGO DE DIAGNÓSTICO		SÍNTOMA	Solución
La flecha hacia arriba parpadea	La flecha hacia abajo parpadea		
1	1	El abre-puertas de garaje no cierra la puerta y las bombillas se encienden intermitentemente.	Sensores de reversa de seguridad no instalados, no conectados o cable cortado. Inspeccione los cables del sensor para detectar si están desconectados o cortados.
1	2	El abre-puertas de garaje no cierra la puerta y las bombillas se encienden intermitentemente.	Hay un cable en cortocircuito o invertido para los sensores de reversa de seguridad. Inspeccione el cable del sensor de seguridad en todos los puntos de engrapado y de conexión y reemplace el cable o corrija, según sea necesario.
1	3	El control de la puerta no funciona.	Los cables tienen un cortocircuito o el control de la puerta es defectuoso. Inspeccione los cables del control de la puerta en todos los puntos de engrapado y de conexión y reemplace el cable o corrija, según sea necesario.
1	4	El abre-puertas de garaje no cierra la puerta y las bombillas se encienden intermitentemente.	Los sensores de seguridad están mal alineados o estaban momentáneamente obstruidos. Realinear ambos sensores para asegurar que ambos DEL estén estables y no parpadeen. Asegúrese de que no haya nada colgado ni montado en la puerta que pudiera interrumpir el recorrido de los sensores mientras se cierra la puerta.
1	5	La puerta se mueve de 15 a 20 cm (6 a 8 pulg.), se detiene o retrocede. No hay movimiento, tan solo un clic.	Abra y cierre la puerta manualmente. Verifique si hay atascos u obstrucciones, por ejemplo un resorte roto o bloqueo de la puerta, y corrija según sea necesario. Revise las conexiones del cableado en el módulo de recorrido y en el tablero lógico. Reemplace el módulo de recorrido, si es necesario.
		El abre-puertas hace un zumbido durante uno o dos segundos sin movimiento.	Abra y cierre la puerta manualmente. Verifique si hay atascos u obstrucciones, por ejemplo un resorte roto o bloqueo de la puerta, y corrija según sea necesario. Reemplace el motor, si es necesario.
1	6	La puerta se desliza después de haberse detenido por completo.	Programa el recorrido hasta la posición de recorrido o pídale a un técnico profesional que equilibre la puerta.
2	1-5	No hay movimiento ni sonido.	Reemplace el tablero lógico.
3	2	No se puede fijar la posición de recorrido o sujeción.	Verifique que el módulo de recorrido se haya ensamblado correctamente y reemplácelo si es necesario.

Resolución de problemas

CÓDIGO DE DIAGNÓSTICO		SÍNTOMA	Solución
La flecha hacia arriba parpadea	La flecha hacia abajo parpadea		
3	3	El DEL de estado de la batería parpadea constantemente en verde.	Error en el circuito de carga de reserva de la batería. Reemplace el tablero lógico.
4	1-4	La puerta se mueve, se detiene o retrocede.	Abra y cierre la puerta manualmente. Verifique si hay atascos u obstrucciones, por ejemplo un resorte roto o bloqueo de la puerta, y corrija según sea necesario. Si la puerta está trabada o pegada, llame a un técnico capacitado en sistemas de puertas. Si la puerta no está atascada o trabada, intente reprogramar el recorrido (consulte página 30).
4	5	El abre-puertas se mueve aproximadamente de 15 a 20 cm (6 a 8 pulg.), se detiene y retrocede.	Error de comunicación con el módulo de desplazamiento. Verifique las conexiones del módulo de recorrido y reemplace el módulo si es necesario.
4	6	El abre-puertas de garaje no cierra la puerta y las bombillas se encienden intermitentemente.	Los sensores de seguridad están mal alineados o estaban momentáneamente obstruidos. Realinear ambos sensores para asegurar que ambos DEL estén estables y no parpadeen. Asegúrese de que no haya nada colgado ni montado en la puerta que pudiera interrumpir el recorrido de los sensores mientras se cierra la puerta.

El abre-puerta emite señales sonoras por varios motivos:

- El abre-puertas de garaje ha sido activado a través de un dispositivo o función como el temporizador de cierre o el monitor del abre-puertas de garaje. Consulte página 35.

El control remoto no activa la puerta del garaje:

- Verificar que la función de bloqueo no esté activada en el control de la puerta.
- Vuelva a programar el control remoto.
- Si aun así el control remoto no activa la puerta, revise los códigos de diagnóstico para comprobar que el abre-puertas de garaje esté funcionando correctamente.

La puerta no cierra y la luz parpadea en la unidad del motor:

El sensor de reversa de seguridad debe estar bien conectado y alineado antes de que el abre-puertas de garaje se mueva hacia abajo.

- Verifique que los sensores de seguridad estén debidamente instalados, alineados y libres de obstrucciones.

Las luces del abre-puertas de garaje no se apagan cuando la puerta está abierta:

El abre-puertas de garaje está equipado con una característica que enciende la luz cuando se hayan obstruido los sensores de reversa de seguridad.

La puerta de mi garaje se abre con el control remoto de mi vecino:

Borre la memoria de su abre-puertas y vuelva a programar el control remoto.

El Homelink® de mi vehículo no está programado para mi abre-puertas de garaje:

Determinados vehículos pueden requerir un Compatibility Bridge™ (no incluido). Visite bridge.chamberlain.com para saber si necesitará un Bridge.

Resolución de problemas de Wi-Fi

El abre-puertas de garaje NO entra en el modo de APRENDIZAJE de Wi-Fi:

- Luego de la instalación inicial del abre-puertas de garaje, este debe finalizar un ciclo completo (apertura y cierre) antes de activar el modo APRENDIZAJE de Wi-Fi.
- Si hubo un corte de electricidad reciente, el abre-puertas de garaje debe finalizar un ciclo completo antes de que se pueda activar el modo APRENDIZAJE de Wi-Fi.

Accesorios

7708CB



Extensión de riel de 2.4 m (8 pies):
Para permitir que una puerta de 2.4 m (8 pies) se abra completamente.

041A5281-1



Ménsulas de extensión:
(Opcionales). Para la instalación del sensor de reversa de seguridad en la pared o en el piso.

953EV



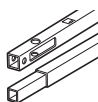
Control remoto:
Compatible con TODOS los modelos Chamberlain desde 1993 hasta la fecha. Compatible con myQ. Incluye broche para visera.

956EV



Control remoto tipo llavero:
Compatible con TODOS los modelos Chamberlain desde 1993 hasta la fecha. Compatible con myQ. Con llavero.

7710CB



Extensión del riel de 3 m (10 pies):
Para permitir que una puerta de 3 m (10 pies) se abra completamente.

CLLP1



Asistente laser para estacionar:
Estacione siempre en el lugar correcto. Su abre-puertas de garaje activa un haz de laser, el cual se proyecta en el tablero de su vehículo para guiarlo en un estacionamiento perfecto.

940EV



Teclado inalámbrico:
Utilizado del lado de afuera para facilitar el ingreso al garaje con un código de cuatro dígitos. Compatible con TODOS los modelos Chamberlain desde 1993 hasta la fecha. Compatible con myQ.

041A6357-1 Bateria de reserva del sistema de energía:



Proporciona energía eléctrica de reserva al abre-puertas del garaje.

Accesorios de myQ

En su cuenta myQ podrá programar hasta 10 accesorios myQ.

PILCEV



Control remoto de iluminación myQ:
Controla este interruptor de luz con la aplicación para teléfono inteligente myQ.

WSLCEV

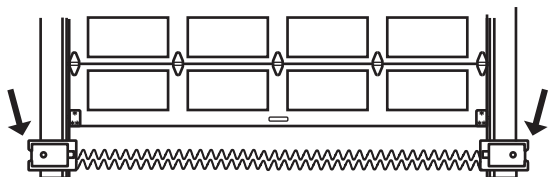


Interruptor de luz interna/externa myQ
Controla este interruptor de luz con la aplicación para teléfono inteligente myQ.

Garantía

¡PARE!

Este abre-puertas de garaje **NO** funcionará hasta que los sensores de reversa de seguridad estén debidamente instalados y alineados.



Información de contacto

Para obtener información sobre instalación y servicio técnico llame al:

1-800-528-9131

Antes de llamar, tenga a mano el número de modelo del abre-puertas de garaje. Si llama por un problema técnico, es recomendable que tenga acceso al abre-puertas de garaje mientras llama. Si desea solicitar una pieza de repuesto, tenga a mano la siguiente información: número de pieza, nombre de la pieza y número de modelo.

GARANTÍA LIMITADA DE CHAMBERLAIN

Chamberlain Group, Inc.® ("Vendedor") garantiza al primer comprador minorista de este producto, para la residencia en la que se instaló originalmente este producto, que está libre de defectos de materiales y mano de obra durante un período específico según se define abajo (el "Período de garantía"). El período de garantía empieza el día de compra.

PERÍODO DE GARANTÍA		
Piezas	Motor	Accesorios
1 año	6 años	1 año

La operación correcta de este producto depende de que usted cumpla con las instrucciones referentes a la instalación, a la operación, al mantenimiento y a la prueba. No seguir estrictamente esas instrucciones anulará por completo esta garantía limitada. Si, durante el período de garantía limitado, este producto parece contener un defecto cubierto por esta garantía limitada, llame al teléfono gratuito 1-800-528-9131 antes de desmontar este producto. Al llamar a este número, se le proporcionará instrucciones para desmontar y enviar el producto al centro de reparación. A continuación, envíe el producto o componente, por correo asegurado y con el porte pagado, según las indicaciones al centro de servicio para que se realicen las reparaciones cubiertas por la garantía. Por favor, incluya una descripción breve del problema y un recibo fechado como prueba de compra, en cualquier producto devuelto por concepto de reparación cubierta por la garantía. Los productos devueltos al Vendedor para la reparación cubierta por la garantía, los cuales una vez recibidos por el Vendedor, se confirme que sean defectuosos y que estén cubiertos por esta garantía limitada, serán reparados o reemplazados (a opción única del Vendedor) sin costo para usted y serán devueltos con el porte pagado. Las piezas defectuosas serán reparadas o reemplazadas a opción única del Vendedor por piezas nuevas o reconstruidas de fábrica. [Usted es responsable de los costos incurridos en el retiro y/o en la reinstalación del producto o cualquier componente].

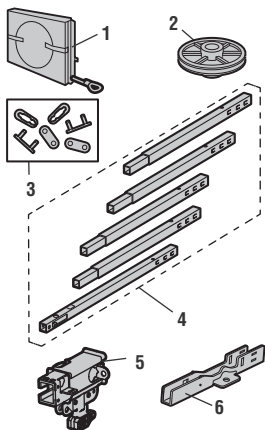
TODAS LAS GARANTÍAS IMPLÍCITAS PARA EL PRODUCTO, INCLUYENDO, ENTRE OTRAS, CUALQUIER GARANTÍA IMPLÍCITA DE COMERCIALIZACIÓN O DE IDONEIDAD PARA UN CIERTO FIN, ESTÁN LIMITADAS EN DURACIÓN AL PERÍODO DE LA GARANTÍA LIMITADA APLICABLE ESTABLECIDA ANTERIORMENTE PARA LOS COMPONENTES RELACIONADOS, Y NO EXISTE NINGUNA GARANTÍA IMPLÍCITA NI SE APLICARÁ DESPUÉS DE DICHO PERÍODO. Algunos estados y provincias no permiten limitaciones sobre la duración de las garantías implícitas, de tal modo que la limitación mencionada anteriormente podría no corresponder a su caso. **ESTA GARANTÍA LIMITADA NO CUBRE DAÑOS NO RELACIONADOS CON DEFECTO DEL PRODUCTO, DAÑOS CAUSADOS POR LA INSTALACIÓN, LA OPERACIÓN O EL CUIDADO INCORRECTOS (INCLUIDOS, SIN LIMITARSE A ELLO, ABUSO, USO INDEBIDO, FALTA DE MANTENIMIENTO RAZONABLE Y NECESARIO O CUALQUIER ALTERACIÓN A ESTE PRODUCTO), NI LOS CARGOS DE MANO DE OBRA POR LA REINSTALACIÓN DE UNA UNIDAD REPARADA O REEMPLAZADA, REEMPLAZO DE ARTÍCULOS DE CONSUMO (POR EJEMPLO, BATERÍAS EN TRANSMISORES DE CONTROL REMOTO Y BOMBILLAS), O UNIDADES INSTALADAS PARA USO NO RESIDENCIAL . ESTA GARANTÍA LIMITADA NO CUBRE PROBLEMAS DE LA PUERTA DEL GARAJE O DE HERRAJES DE LA PUERTA DEL GARAJE O PROBLEMAS RELACIONADOS, QUE INCLUYEN, ENTRE OTROS, RESORTES, RODILLOS, ALINEAMIENTOS O BISAGRAS DE PUERTA. ESTA GARANTÍA LIMITADA TAMPOCO CUBRE PROBLEMAS CAUSADOS POR INTERFERENCIA. EL VENDEDOR NO SERÁ RESPONSABLE, EN NINGUNA CIRCUNSTANCIA, DE DAÑOS EMERGENTES, INCIDENTALES O ESPECIALES QUE SURJAN EN RELACIÓN CON EL USO O LA INCAPACIDAD DE USAR ESTE PRODUCTO. LA RESPONSABILIDAD DEL VENDEDOR POR VIOLACIÓN DE LA GARANTÍA, POR VIOLACIÓN DEL CONTRATO, NEGLIGENCIA O RESPONSABILIDAD ESTRICTA, EN NINGÚN CASO DEBERÁ EXCEDER EL COSTO DEL PRODUCTO CUBIERTO POR LA PRESENTE. NINGUNA PERSONA ESTA AUTORIZADA A ASUMIR EN NUESTRO NOMBRE NINGUNA OTRA RESPONSABILIDAD CON LA VENTA DE ESTE PRODUCTO.**

Algunos estados no permiten la exclusión o limitación de daños emergentes, incidentales o especiales, de manera que la anterior limitación o exclusión podría no aplicarse a su caso. Esta garantía limitada le proporciona derechos legales específicos y usted también puede tener otros derechos que varían según el estado y la provincia.

Piezas de repuesto

Piezas de la unidad del motor

Descripción	Numero de Parte
1 Cadena y cable	041A5807
2 Polea	K144C0056
3 Enlace principal	004A1008
4 Riel	041A5665
5 Carro completo incluye: pasador chaveta (1), anillo (1)	041C5141-1
6 Ménsula en 'U'	041D0598-1
No Mostrado	
Almohadillas de desgaste	183A163
Bolsa de herrajes	041A7920-1



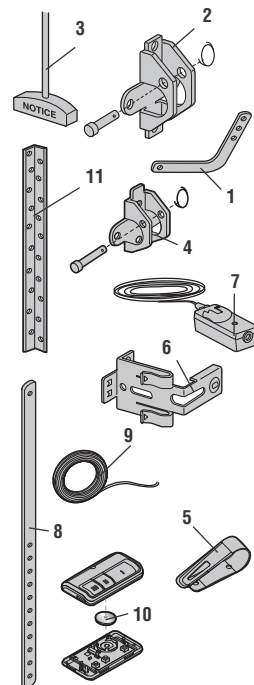
Accessories

Description	Part Number
1 Pulsador de comando de puerta	041A7367-3
2 Control remoto de 3 botones	953ESTD



Piezas de instalación

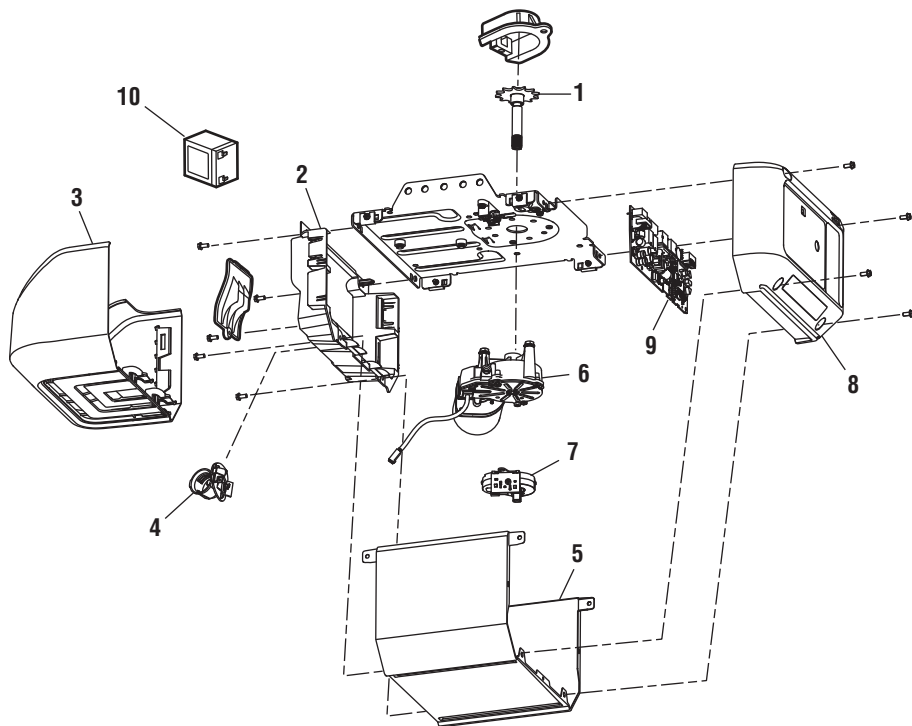
Descripción	Numero de Parte
1 Brazo de la puerta curvo	041B0035B
2 Ménsula de la puerta con pasador chaveta y seguro de anillo	041A5047-1
3 Manija y cuerda de apertura de emergencia	041A2828
4 Ménsula de cabezal con pasador de chaveta y seguro de anillo	041A5047-2
5 Broche de visera para control remoto	K029B0137
6 Ménsula del sensor de seguridad	041A5266-3
7 Juego de sensores de seguridad sensor de receptor y emisor con cable	041A5034
8 Brazo de puerta recto	4178B0034B
9 Cable blanco y rojo/blanco	041B4494-1
10 Batería de Litio de 3V CR2032	K010A0020
11 Ménsulas de soporte	012B0776
No Mostrado	
Manual del propietario	114A5223



Piezas de repuesto

Abre-puertas de garaje

Las imágenes se usan solamente como referencia. El producto comprado podría tener un aspecto diferente.



Descripción	Numero de Parte
1 Portacadena, tornillos y cubierta de la rueda dentada	041B5348-2
2 Panel final/extremo frontal	041A7618
3 Lente	041D0145-1
4 Receptáculo de foco	041C0279
5 Cubierta	041D0646-2
6 Motor y módulo de recorrido	041D8006-1
7 Módulo de recorrido	041D8071-4
8 Panel de extreme para tabla de lógico de receptor	041D0233-3
9 Tabla de lógico de receptor	050DCTWF
10 Batería de 12 V	041A6357-1
No Mostrado	
Arnés conector	041D9069
Transformador	041D0277-1
Cordón eléctrico	041B4245
Bloque terminal	041A3150

© 2019, The Chamberlain Group, Inc.
All Rights Reserved

Todos los derechos reservados

Wi-Fi® is a registered trademark of Wi-Fi Alliance
Wi-Fi® es una marca registrada de Wi-Fi Alliance.

The Chamberlain Group, Inc.
300 Windsor Drive
Oak Brook, IL 60523