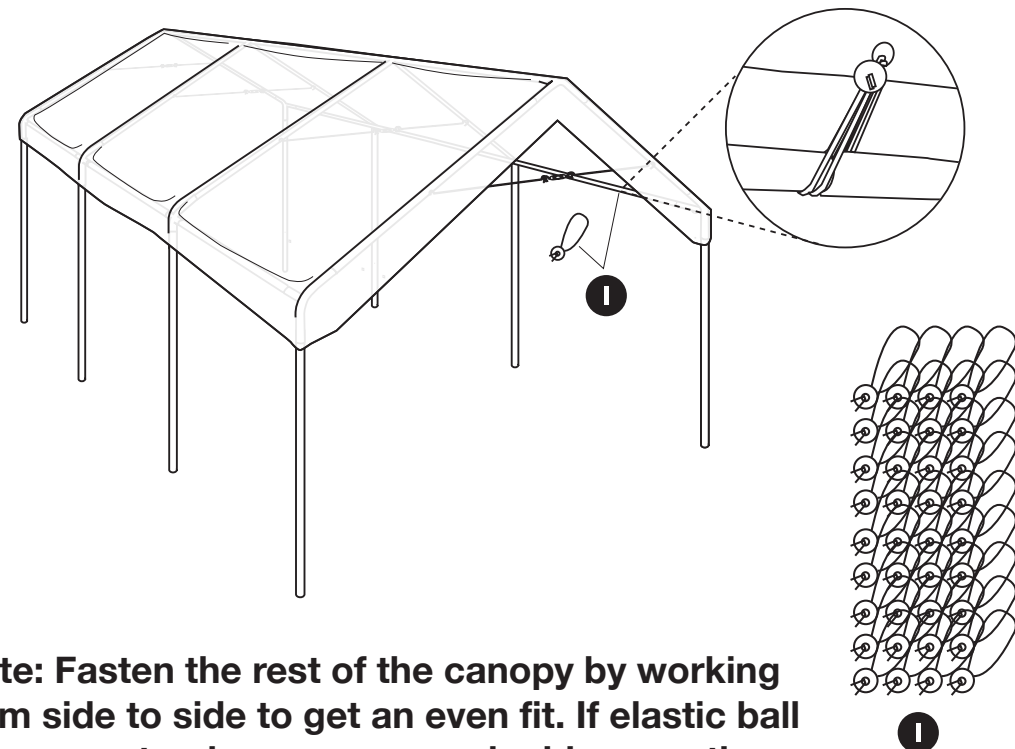
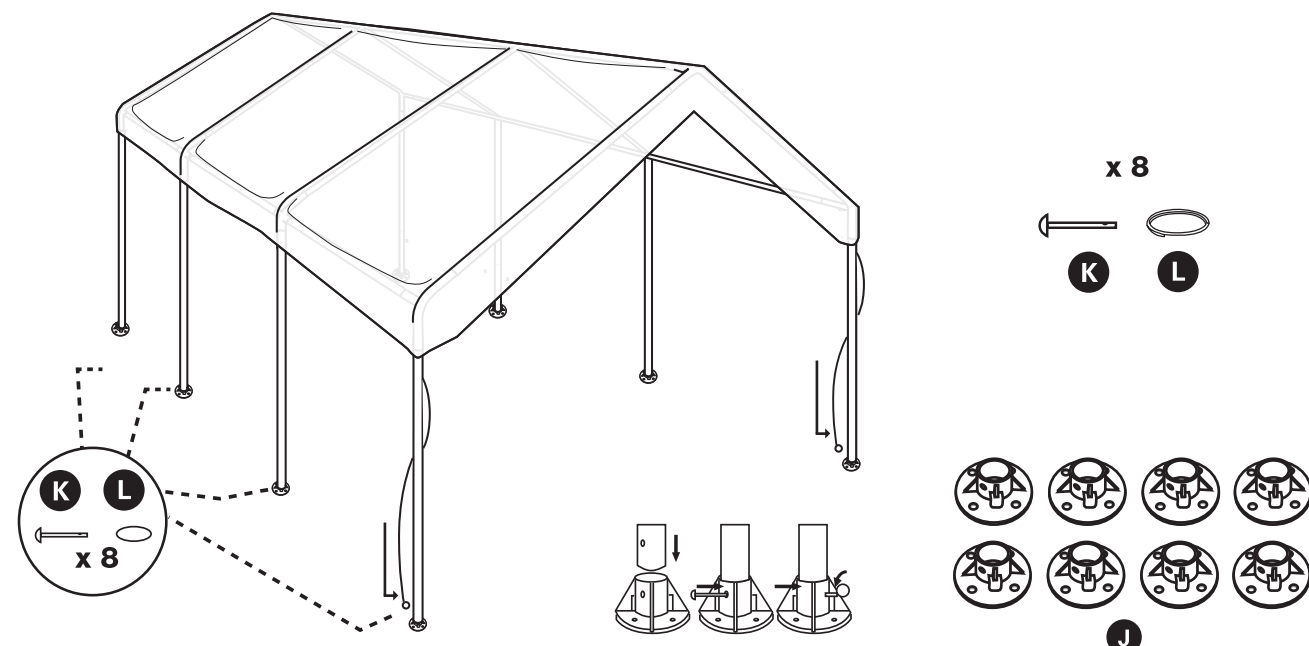


Step 7 Attach remaining elastic straps



Note: Fasten the rest of the canopy by working from side to side to get an even fit. If elastic ball straps are too loose, you can double wrap them around the pole.

Step 8 Attach base plates and stretch cables



Note: Fasten cables by stretching downward and under hook in foot

LIABILITY

While every attempt is made to embody the highest degree of protection in all equipment, we cannot guarantee freedom from injury. The user assumes all risk of injury due to set-up and use.

WARNING

Please take the following safety precautions, when using your MotoShade. Failure to follow these precautions may lead to injury.

1. Never set-up or continue to use the MotoShade Multi-Purpose Canopy in heavy rain, wind or storm conditions, especially lightning storms. If possible, remove the canopy cover before a storm.
2. Do not set-up the MotoShade Multi-Purpose Canopy on steep inclines.
3. The MotoShade Multi-Purpose Canopy is heavy and at least two able-bodied adults (preferably three) are required to set it up. Failure to follow this instruction may lead to injury or damage to the canopy.
4. Inspect the MotoShade Multi-Purpose Canopy and its parts before each use. Make sure all fasteners are tight and secure and that the canopy top is centered and all bungee cords secured. Replace any worn, defective or missing parts.
5. The MotoShade Multi-Purpose Canopy is designed for use as a temporary structure that assembles in minutes. After assembly, the structure must be anchored to prevent damage and possible injury. Proper anchoring is your responsibility. The preferred anchoring system uses screw-in anchors and cable attached to each leg. Mobile home anchors will also work.
6. Do not set up or use the MotoShade Multi-Purpose Canopy in close proximity to fire or any open flame. Do not use a barbecue grill under the canopy structure.
7. This is a temporary structure and is not recommended for use as a permanent structure.

MAINTENANCE

1. Do not bleach canopy cover, dry clean or wash in the washing machine or dry in the dryer. Hand wash with mild soap and water. For light cleaning, wash the fabric with water from your garden hose while it is still on the frame. It may be easier to clean the top if you temporarily remove the bottom sections of the legs.
2. Take the MotoShade Multi-Purpose Canopy down during periods of high winds to avoid damage.
3. Keep snow brushed off the cover of the MotoShade Multi-Purpose Canopy if it is snowing. This unit is not designed to hold snow load. We recommend storing the unit during the winter season to avoid damage.
4. Inspect the MotoShade Multi-Purpose Canopy and its parts before each use. Replace any worn, defective or missing parts.

LIMITED WARRANTY

Subject to the following limitations, in addition to any imposed by virtue of applicable law, Bravo Sports warrants this MotoShade Multi-Purpose Canopy to be free of defects in material or workmanship for a period of one year from the date of original purchase. This warranty is limited to the repair and/or replacement of defective parts only.

1. This Limited Warranty will apply only if the MotoShade and/or its parts are properly returned to the Bravo Sports customer service department listed below and are determined by Bravo Sports in its sole discretion, to be defective.
2. This Limited Warranty applies only to Bravo Sports MotoShade Multi-Purpose Canopy and is not transferable.

3. Be sure to retain your original purchase sales receipt for any warranty claim. All warranty claims must be accompanied by the original purchase receipt from the authorized dealer.
4. Before returning any MotoShade Multi-Purpose Canopy and/or parts to Bravo Sports for warranty inspection, the consumer purchaser must obtain prior authorization from Bravo Sports. Such authorization can be obtained by calling our customer service representatives at the toll-free numbers listed below or writing to the Bravo Sports customer service department at the address listed below. Customer is responsible for shipping costs.
5. Certain regions of the country have environmental conditions that are extremely hard on covers of any kind. If you live in Arizona, Florida, Nevada, New Mexico, Texas, or in high altitudes [above 3000 feet], the warranty period for your canopy top will be limited to 6 months from the date of original purchase. [After expiration of that 6 month period and up to a period of one year following date of original purchase, you may purchase a replacement canopy top at a reduced price from our customer services' department.]
6. This Limited Warranty does not cover damage or loss from: wind, rain, fire, snow, ice, or other forces of nature; accident; normal wear; improper assembly, disassembly, or adjustment during set-up or take-down; or any abuse, neglect or misuse of this MotoShade Multi-Purpose Canopy and/or its parts.
7. To the extent allowed by applicable law, any implied warranty of merchantability or fitness applicable to this MotoShade Multi-Purpose Canopy is limited to the duration of this Limited Warranty. Variflex, Inc. does not warrant against, and in no event shall Variflex, Inc. or its authorized agents be liable for any personal loss, injury, or direct/Bravo Sports incidental or consequential damage resulting from Bravo Sports' product. Please note that some states do not allow the exclusion or limitation of incidental or consequential damages, so the above limitation or exclusion may not apply to you. This Limited Warranty gives you specific legal rights and you may have other rights which vary from state to state.
8. Upon receipt of authorization from our customer service department, you must submit your warranty claim to the address below, shipped prepaid and accompanied by the original dated purchase receipt. Do not return this product to the place of purchase. For warranty service, or for missing parts, replacement parts or any other problems, call or write to our customer service department below. We will send any replacement parts via U.P.S. Ground.

Bravo Sports
12801 Carmenita Rd.
Santa Fe Springs, CA 90670

Customer Service Dept.
Toll Free (800) 248-5327
Fax (562) 484-5192
Email: consumer@bravosportscorp.com
Check us out at www.bravosportscorp.com

Do not call store regarding set up issues, missing parts or any questions. Instead, please contact Bravo directly at (800)248-5327.

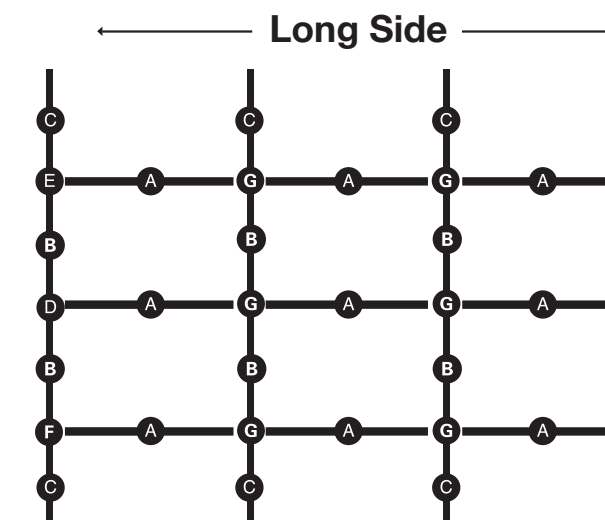


©2012 Bravo Sports. All rights reserved.

Step 1 Layout all parts in preparation to assemble

Please read completely before setting up your MotoShade Multi-Purpose Canopy. It is your responsibility to read and save these instructions before attempting to set up your MotoShade. Assembly is easiest if you lay out all of the like components in groups as shown below before you begin.

During assembly, be sure that each tube is properly aligned with the socket and that it is fully inserted.

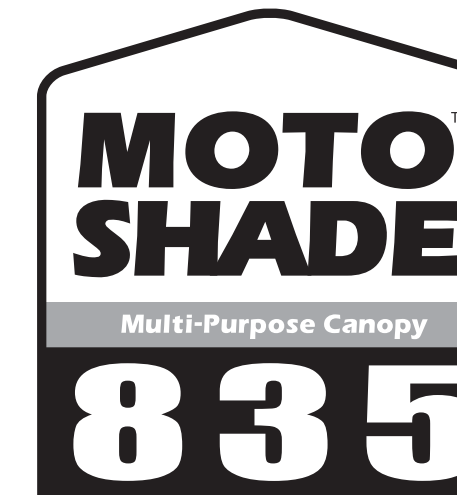
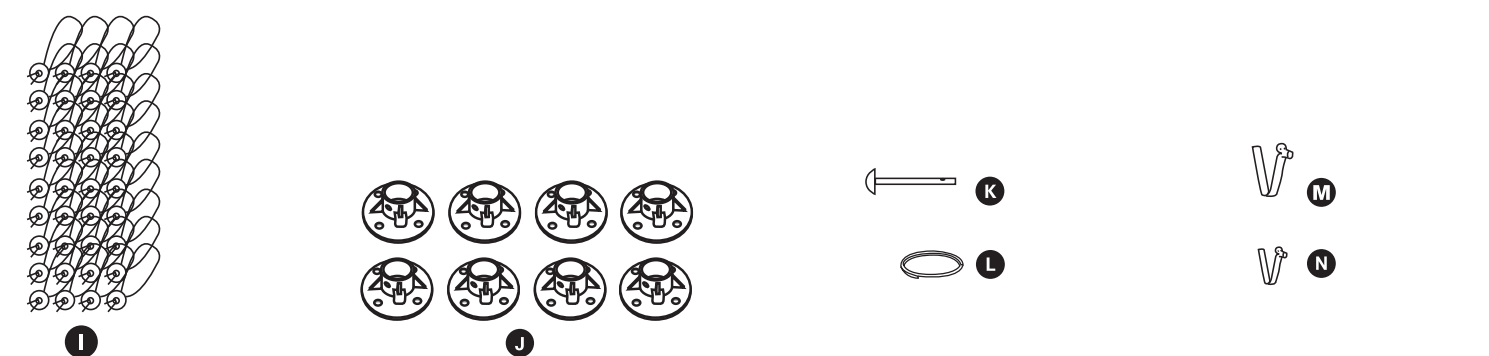
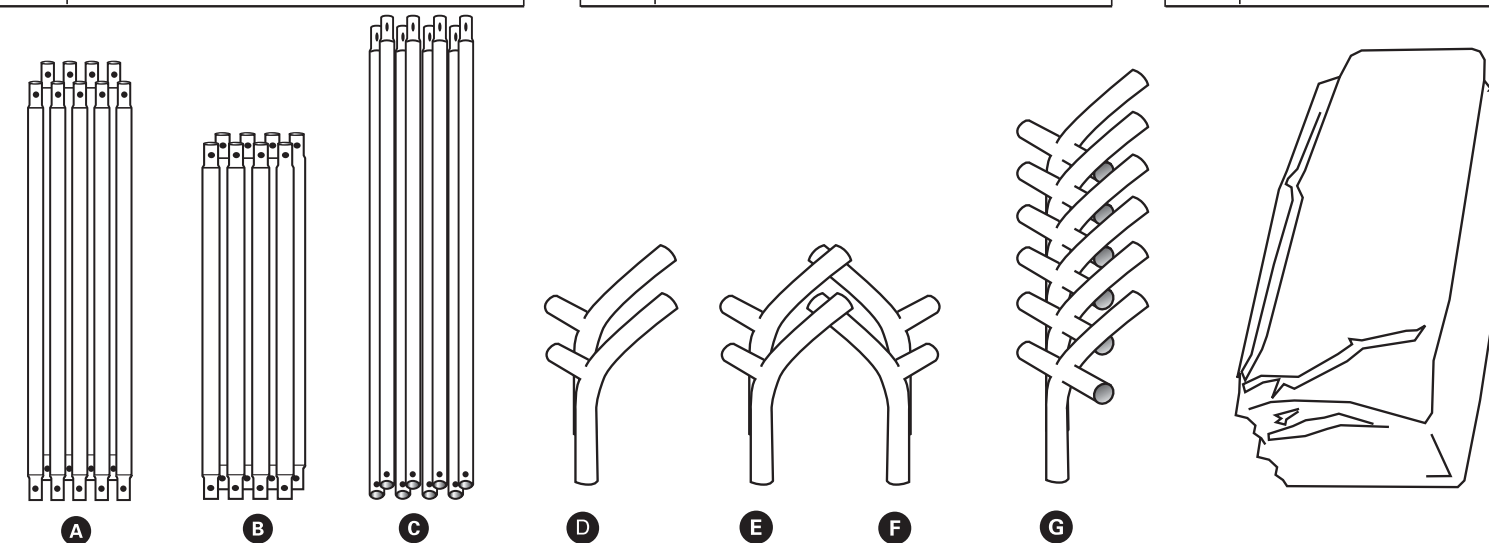


Parts

A	Medium 2 Tapered Tube	(9)
B	Short 2 Tapered Tube	(8)
C	Long 1 Tapered Tube	(8)
D	3 Way Corner	(2)
E	Corners R-rid	(2)
F	Corners I-rid	(2)

G	4 Way Corner	(6)
H	Canopy	(1)
I	Elastic Ball Straps	(34)
J	Plastic Foot Pad	(8)
K	Pin	(8)
L	Ring	(8)

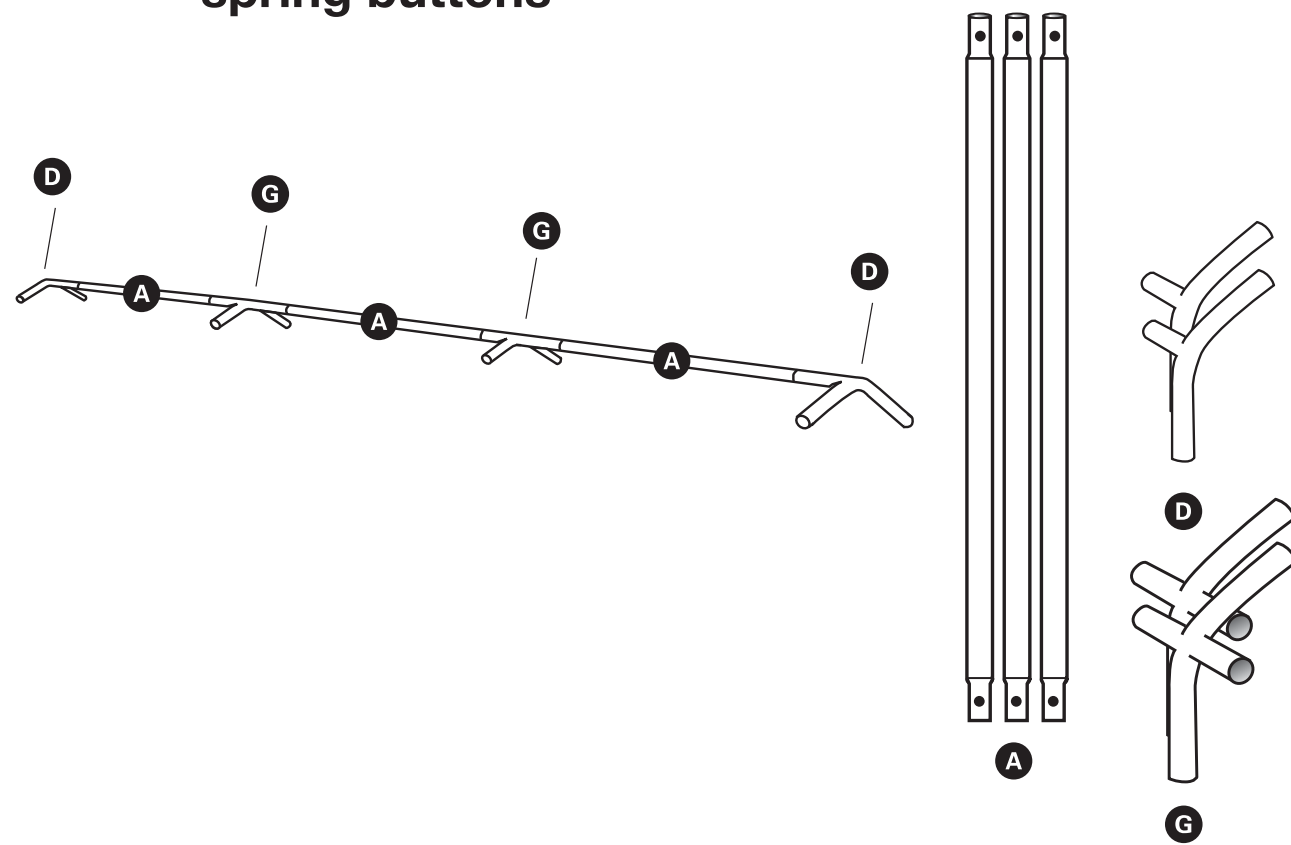
M	Large Spring Button	(24)
N	Small Spring Button	(18)



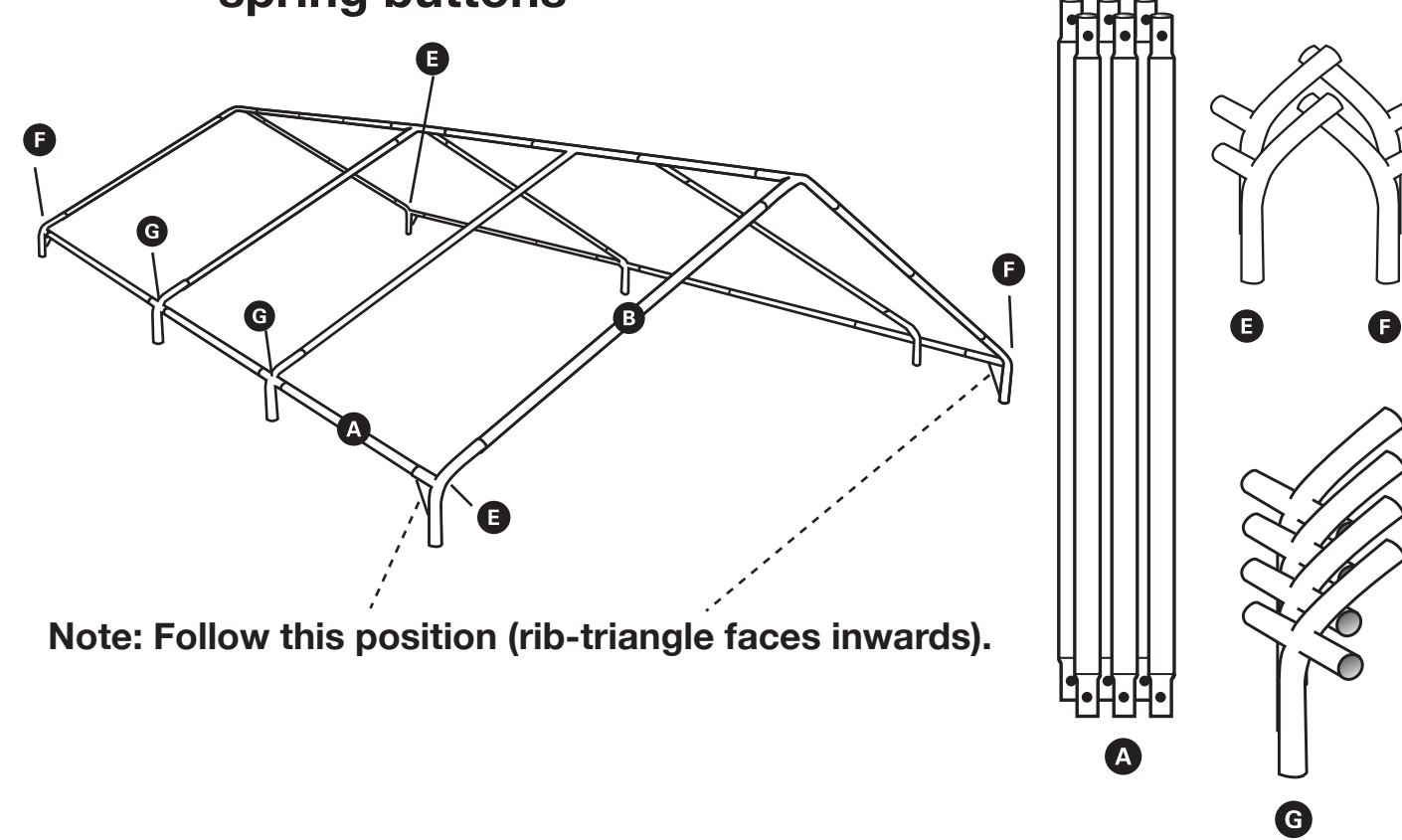
Assembly Instructions

Layout all parts in preparation for assembly

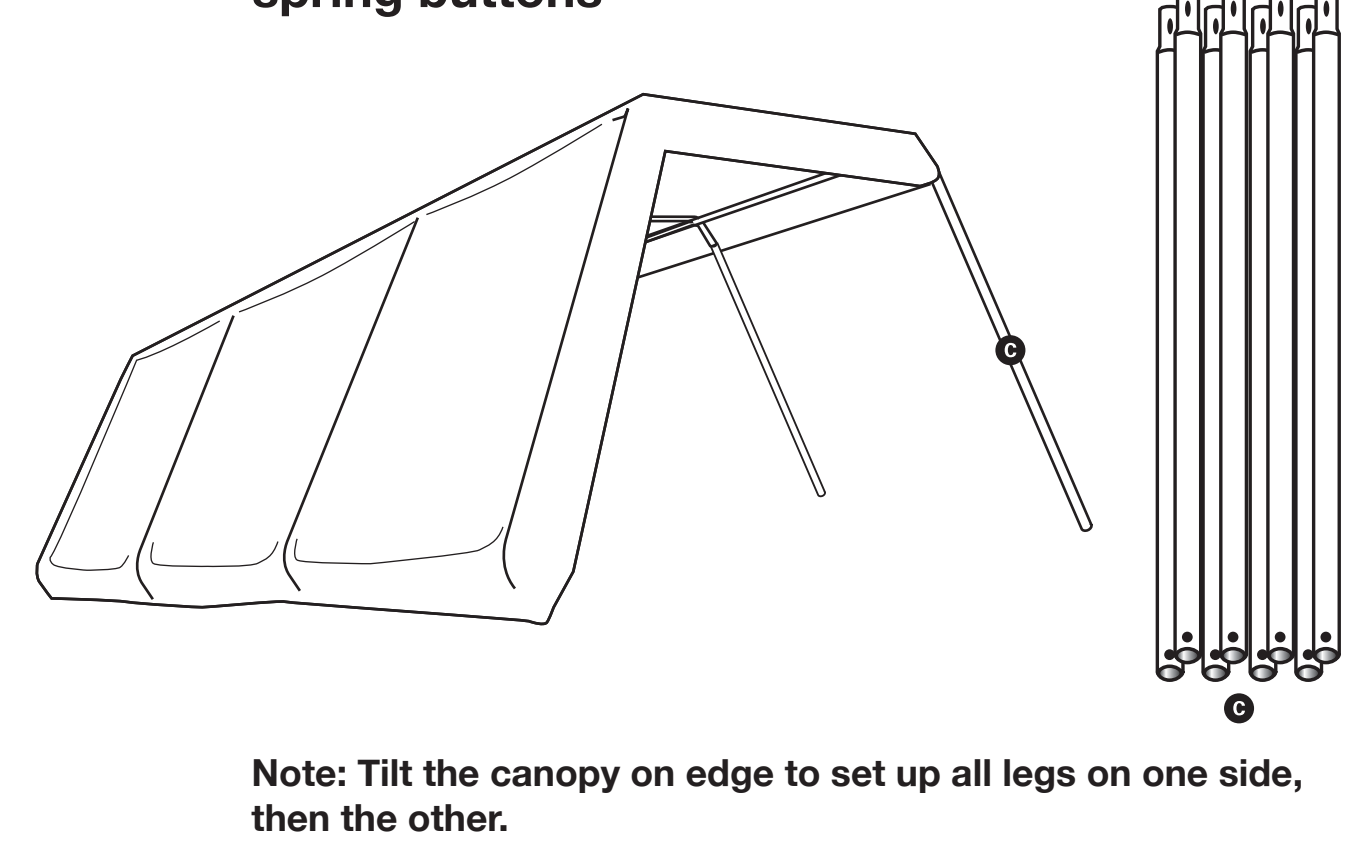
Step 2 Assemble center piece for ceiling with spring buttons



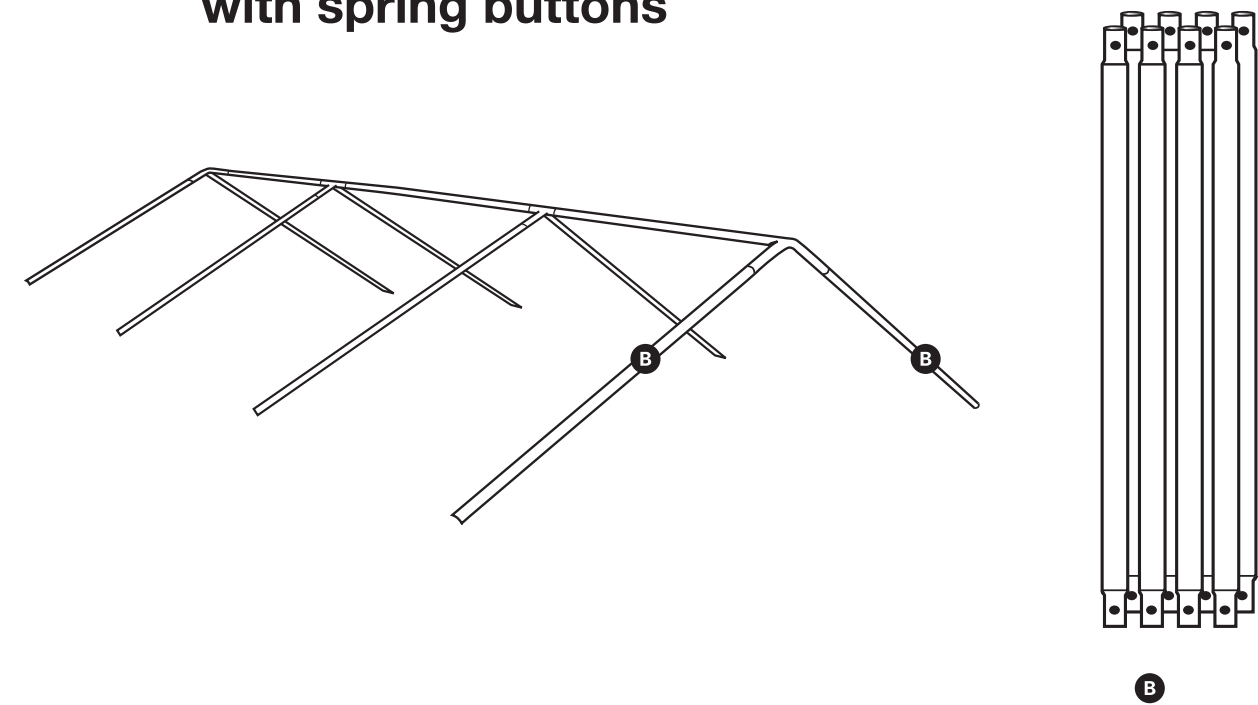
Step 4 Assemble corners to ceiling structure with spring buttons



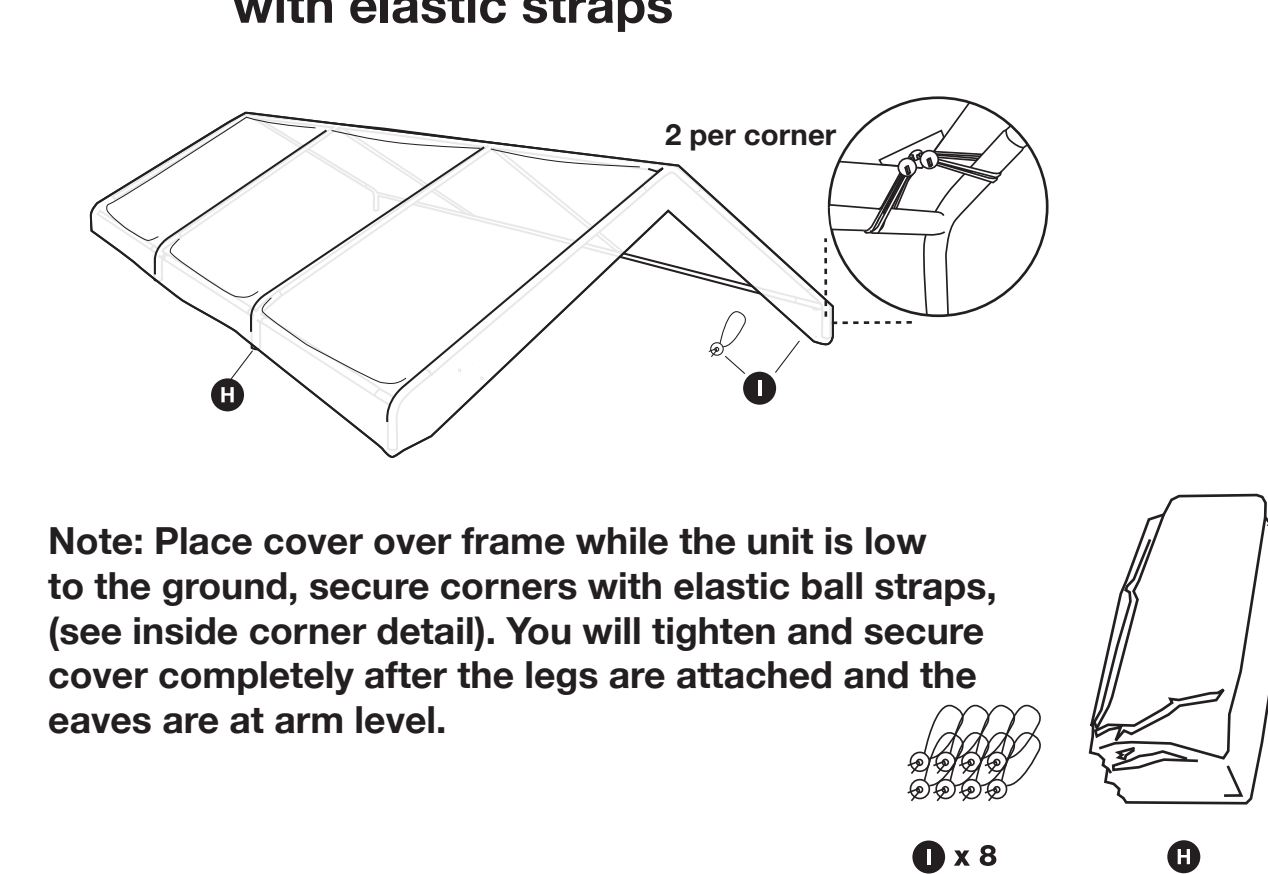
Step 6 Assemble center piece for ceiling with spring buttons



Step 3 Assemble sides connecting to center piece with spring buttons



Step 5 Pull canopy over ceiling and fasten corners with elastic straps



Note: Tilt the canopy on edge to set up all legs on one side, then the other.