

## Pre-installation

Please read and understand all sections in this manual before you begin the installation of your laminate flooring.

### SAFETY INFORMATION

#### READ ALL INSTRUCTIONS BEFORE INSTALLATION.



**MANUFACTURER'S REQUIRED MINNESOTA DISCLOSURE – IMPORTANT HEALTH NOTICE:** SOME OF THE BUILDING MATERIALS USED IN THIS HOME (OR THESE BUILDING MATERIALS) EMIT FORMALDEHYDE. EYE, NOSE, AND THROAT IRRITATION, HEADACHE, NAUSEA AND A VARIETY OF ASTHMA-LIKE SYMPTOMS, INCLUDING SHORTNESS OF BREATH, HAVE BEEN REPORTED AS A RESULT OF FORMALDEHYDE EXPOSURE. ELDERLY PERSONS AND YOUNG CHILDREN, AS WELL AS ANYONE WITH A HISTORY OF ASTHMA, ALLERGIES OR LUNG PROBLEMS, MAY BE AT GREATER RISK. RESEARCH IS CONTINUING ON THE POSSIBLE LONG-TERM EFFECTS OF EXPOSURE TO FORMALDEHYDE.

REDUCED VENTILATION MAY ALLOW FORMALDEHYDE AND OTHER CONTAMINANTS TO ACCUMULATE IN THE INDOOR AIR. HIGH INDOOR TEMPERATURES AND HUMIDITY RAISE FORMALDEHYDE LEVELS. WHEN A HOME IS TO BE LOCATED IN AREAS SUBJECT TO EXTREME SUMMER TEMPERATURES, AN AIR-CONDITIONING SYSTEM CAN BE USED TO CONTROL INDOOR TEMPERATURE LEVELS. OTHER MEANS OF CONTROLLED MECHANICAL VENTILATION CAN BE USED TO REDUCE LEVELS OF FORMALDEHYDE AND OTHER INDOOR CONTAMINANTS. IF YOU HAVE ANY QUESTIONS REGARDING THE HEALTH EFFECTS OF FORMALDEHYDE, CONSULT YOUR DOCTOR OR LOCAL HEALTH DEPARTMENT.



**IMPORTANT:** Home Decorators Collection laminate flooring is intended for a floating installation only. Do not glue, nail, or attach in any other way to your existing subfloor. Cabinets and kitchen islands should be installed prior to the laminate flooring.



#### CAUTION:

- Use safety glasses and gloves when cutting laminate floors. Laminate floors will create wood dust; always cut the product in a well-ventilated area.
- Never tap laminate floors during installation.
- Never use tools designed for other laminate flooring installation systems.
- Never wax, polish, or use abrasive cleaners on laminate floors.
- Home Decorators Collection laminate floors should not be installed in rooms that are susceptible to moisture such as full bathrooms, entryways or laundry rooms.

### WARRANTY

Home Decorators Collection offers a limited warranty against manufacturing defects from date of purchase on this product. Home Decorators Collection guarantees that:

- The decorative laminate surface will not wear through.
- The surface of the plank will resist staining.
- The surface of the plank will not fade or discolor, due to natural or artificial lighting.

### TOOLS REQUIRED

- Table or circular saw
- Measuring tape
- Carpenter's square
- Utility knife
- Safety glasses
- Dust mask (NIOSH-designated)
- Gloves
- Pencil/marker
- Pull bar
- 3/8 in. (10 mm) thick spacers
- Laminate floor underlayment
- 6 mil (0.15 mm) thick vapor barrier if installing over concrete
- 2 in. (51 mm) wide moisture-resistant adhesive tape

### ALLOWING THE FLOORING TO ACCLIMATE TO THE INSTALLATION AREA

Allow 48 hours for your flooring to acclimate to the conditions of the installation area before opening the cartons. Cross-stack unopened cartons in the installation area, away from outside walls, heat, and air conditioning vents. Installation temperatures should be at a minimum of 64°F (18°C) with a maximum relative humidity of 75%.

### EXPANSION CONSIDERATIONS

Home Decorators Collection laminate floors expand and contract with changes in relative humidity. For this reason, leave a 3/8 in. (10 mm) expansion space around the perimeter of the room and all other objects such as toe kicks and plumbing. The expansion space will be covered by wall base moldings or quarter rounds once the floor is installed.

## MAXIMUM ROOM SIZE / ADJACENT ROOMS

Home Decorators Collection laminate floors can be installed in a single room up to 33 ft. (10 m) in length and 26 ft. (8 m) in width. Installations in rooms that are over the maximum allowable length and width must use T-moldings. Also use T-moldings when installing laminate floors to separate adjacent rooms (i.e. through doorways).

## INSTALLATION LAYOUT

There are no rules when it comes to the layout of your installation. Typically, laminate flooring installations are laid out parallel to the longest wall in the room or perpendicular to the main window in the room.

## Subfloor Preparation

Home Decorators Collection laminate floors can be installed over many types of subfloors as long as they are properly prepared and meet the required criteria outlined in this section.

### GENERAL SUBFLOOR PREPARATION AND PRECAUTIONS

- Subfloors must be clean and free of dirt and debris prior to installation.
- Subfloors must be structurally sound prior to installation.
- Subfloor moisture must be tested prior to installation and should not exceed 12% through the installation area.
- Carpet is not a suitable underlay for laminate floors. All carpet, carpet pad, and carpet tack should be removed prior to installation.
- Variations in the subfloor flatness should not exceed 3/16 in. per 10 ft. (2 mm/m). Floors must be leveled to meet this specification prior to installation. Level by filling depressed areas with flooring leveling compound and sanding or grinding down any raised areas.
- Installations over hydronic radiant heated subfloors are acceptable but temperatures should never exceed 80°F (27°C). Radiant heat systems must be operating for a minimum of 3 weeks prior to installation of Home Decorators Collection laminate floors to ensure the subfloor meets the moisture requirements.

### WOOD SUBFLOOR PREPARATION

- Wood subfloors must be structurally sound and screwed or nailed to supporting beams.
- A 6 mil (0.15 mm) polyethylene vapor barrier must be used if installing laminate floors over wood subfloors applied directly to concrete.
- If installing floors over a crawl space, install a 6 mil (0.15 mm) vapor barrier:
  - Overlap vapor barrier edges by 8 in. (20 cm) and seal with moisture resistant adhesive tape.
  - Run the vapor barrier ¾ in. (2 cm) up the wall and trim after the wall base is installed.
  - Crawl space should be dry and vented as per local building code.
- Underlay must be installed prior to installing the laminate floors.
- Underlay edges should not be overlapped. Butt end edges together and seal with adhesive tape.

### CONCRETE SUBFLOOR PREPARATION

- Concrete subfloors must be properly cured and allowed to dry for at least 60 days prior to installation. Test the concrete subfloor for moisture prior to installation. To do so:
  1. Tape 3 ft. x 3 ft. (91 cm x 91 cm) pieces of polyethylene vapor barrier to the subfloor.
  2. If condensation appears on the film after 24 hours or concrete appears dark in color, moisture is likely present and a Calcium Chloride test must be performed.
  3. The maximum allowable moisture emission is 5.0 lbs/1000 ft<sup>2</sup> per 24 hours (2.26 kg/101.6 m<sup>2</sup> per 24 hours).
- A 0.12 in. (3 mm) thick underlay and 6 mil (0.15 mm) polyethylene vapor barrier must be used when installing over concrete.
- Overlap vapor barrier edges by 8 in. (20 cm) and seal with moisture resistant adhesive tape.
- Run the vapor barrier ¾ in. (2 cm) up the wall and trim after the wall base is installed.
- The underlay must be installed prior to installation of laminate floors.
- Do not overlap underlay edges. Butt end edges together and seal with adhesive tape.

### VINYL (SHEET/TILE), LINOLEUM, AND CERAMIC TILE SUBFLOOR PREPARATION

- If vinyl, linoleum, or ceramic tile is installed over concrete, install a 6 mil (0.15 mm) vapor barrier over it:
  - Overlap vapor barrier edges by 8 in. (20 cm) up the wall and trim after the wall base is installed.
  - Run the vapor barrier ¾ in. (2 cm) up the wall and trim after the wall base is installed.
- Underlay must be installed prior to installing the laminate floors.
- Underlay edges should not be overlapped. Butt end edges together and seal with adhesive tape.

## Room Preparation

### WALL BASE/TRIM

- Removal of the existing wall base/trim is optional. If the existing wall base/trim is not removed, leave the required expansion space in front of the existing wall base/trim.
- Install wall base or trim after the flooring installation is complete to cover the expansion space around the perimeter of the room.
- Always nail/adhere the wall base and trim to the wall. Never nail/adhere it to the laminate flooring.

### DOORS/DOOR JAMBS

- Undercut door jambs so that the laminate floor can be installed under them. To do this, use a laminate flooring off-cut and a small piece of underlay to support a hand saw blade at the correct height for undercutting.
- Check the door clearances and make any necessary height adjustments before installing laminate floors.
- Leave the correct expansion spacing under the door jamb.

### WALL IRREGULARITIES

Walls are not always perfectly straight. Home Decorators Collection laminate floors need to be cut so as to fit within the irregularities of your walls. Complete these steps:

1. Install the first row of laminate floors (following the Installation section) and ensure that all long edges of the laminate flooring planks are aligned.
2. Slide the whole row against the wall. You will now notice any irregularities (areas where the wall is not straight).
3. Trace the contour of the wall onto the row of laminate flooring with a pencil or marker.
4. Once traced, uninstall the planks carefully so as not to damage the locking system and cut along the traced line.
5. Re-install the plank, leaving the necessary 3/8 in. (10 mm) expansion space.

## Preparing for Installation

Before you begin the steps in the Installation section, ensure you have completed the following:

- Sort planks before installation to avoid plank repetition and to achieve the most natural and varied results.
- Inspect every plank for damage before installing it.
- The first and last row of the installation should be wider than 3.5 in. (9 cm):
  - Measure the width of the room and divide it by the width of the planks you are installing.
  - If the remainder is less than 3.5 in. (9 cm), cut 3.5 in. (9 cm) from the width of the first row. If this is not possible, ensure that both edge planks are as even in width as possible.

- The first and last plank in a row should be a minimum of 16 in. (40 cm) long.
- Stagger the planks from row to row by a minimum of 16 in. (40 cm).
- Use spacers to maintain the 3/8 in. (10 mm) expansion space between the planks and walls/vertical objects.
- Select a starting corner of the room and work from left to right.

**TIP:** It is often easiest to start at the door of the room so that the first plank can be easily slid under the door jamb.

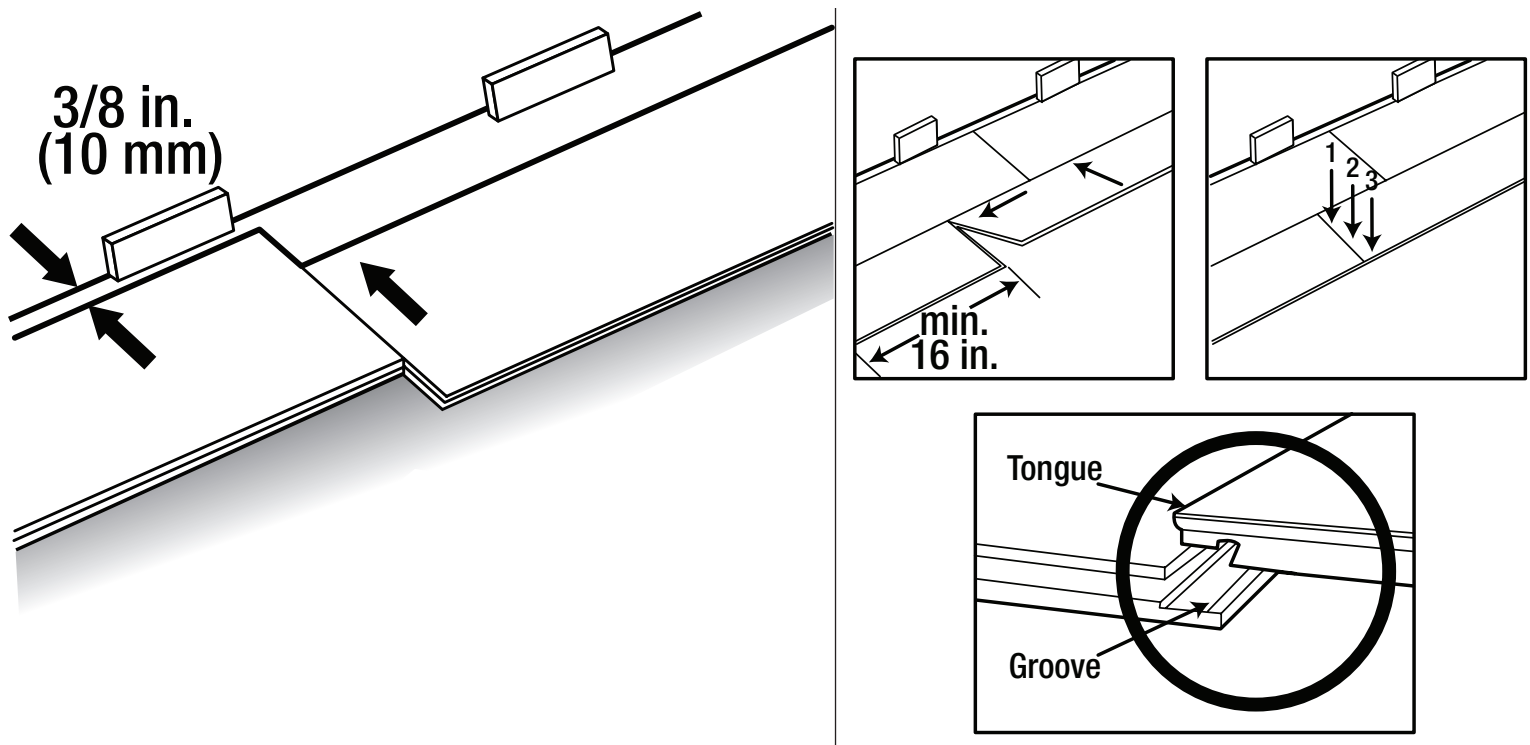
## Installation

### 1 INSTALLING THE FIRST ROW

- Lay the first plank with the long edge tongue facing the wall.
- Position the short edge tongue of the second plank so that it overlaps the short edge groove of the first plank by half the width of the plank.
- Press down on the second plank so as to engage the locking mechanism and physically connect it to the first plank.
- The two planks should lock together tightly and there should be no height differences between them.
- Slide the second plank horizontally towards the wall until the two planks' long edges are aligned.
- Continue in this manner until the first row is complete.
- Use the remainder of the last plank of the first row to start the second row provided that it is a minimum of 16 in. (40 cm) long. If the cut piece is shorter than 16 in. (40 cm) long, cut a new plank in half and use it to begin the second row.

### 2 INSTALLING THE REMAINING ROWS

- Install the first plank of the second row by installing its long edge to the previous row's groove.
- Install the long edge of the plank to the previous row.
- Before lowering the plank, make sure its short end tongue overlaps with the previous plank's short end groove.
- Lower the plank slowly (a short oscillating or up and down motion may help lower the plank).
- Apply pressure to the short edge of the planks so as to activate the locking mechanism. You will typically hear an audible click sound.
- When you are finished installing all rows, remove all wall spacers and install wall base and applicable moldings/transitions.



## Care and Cleaning

### GENERAL CARE

- Place mats and area rugs at main entrances to minimize abrasive debris that may be tracked in on shoes.
- Place protective pads under furniture legs and other movable furniture.
- Use protective mats under wheeled office-type chairs.
- Avoid using lacquers, polishes, waxes or detergent-based cleaners as they will leave a film on the surface of the floor and may cause irreparable damage. The surface of this flooring does not require refinishing and will maintain its original appearance.
- Never use abrasive cleaners.
- Never flood your floor or wet mop it. Excessive liquid on your floor may cause plank edges to swell and become damaged beyond repair.
- Never use a steam cleaner as the steam may cause plank edges to swell and become damaged beyond repair.

### DAILY CLEANING

- Use a dust mop or vacuum with a hard surface attachment to remove dust, loose dirt, or debris.
- For a more thorough cleaning, where a cleaning solution may be required, use a water-based laminate floor cleaner. Lightly mist the cleaner into the soiled surface and wipe up immediately.