



by St. Simons, Inc.

Professional Grade Quality Solid Brass Decorative Hardware & Bath Accessories

Demand Quality, Demand idh©

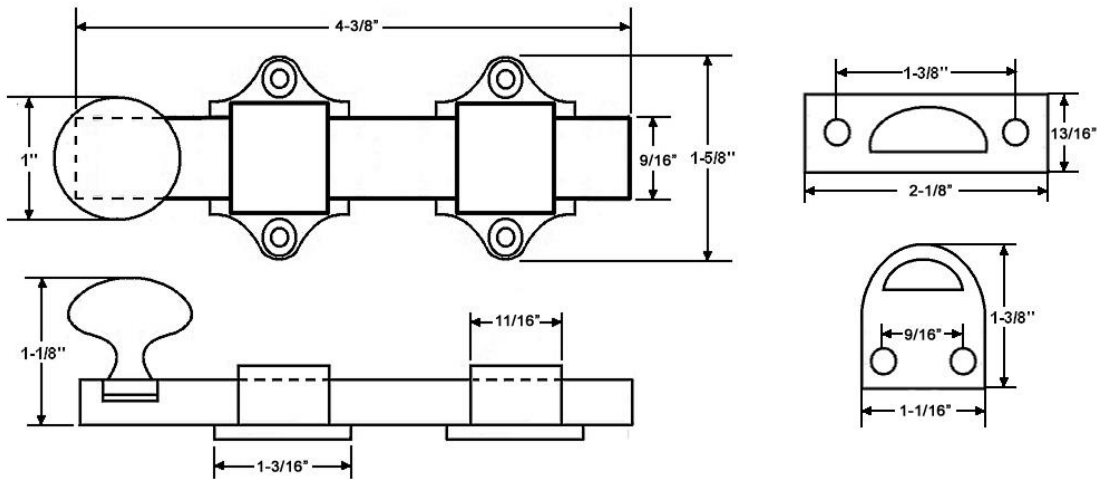
idhbrass.com

## Installation Instructions

### Professional Grade Quality Solid Brass

# 4-1/4" Dutch Door Bolt

## Item# 11270



#### Dimensions:

- Overall Length: 4-3/8"
- Base Width/Rod Diameter: 9/16"
- Guide Width: 1-5/8"
- Throw: 1/2"
- Knob Diameter: 1"
- Net Weight: 5 oz.
- Gross Weight: 9 oz.
- Solid Brass Wood Screws
- 2 Strikes: Standard and Mortise

*Dimensions are for reference use only.*

*For exact dimensions, please measure actual part.*

#### Installation Instructions:

1. Position bolt brackets by sliding front bracket
2. Slide rear bracket forward to touch pin on bottom of bolt
3. Position bolt assembly on the top section of door near the edge.
4. Mark and drill pilot holes and install bracket screws.
5. Position strike, aligned with the bolt with door closed
6. Mark base of strike and carefully cut a mortise/recess for it.
7. Cut recess deeper in bolt slot so bolt can slide securely
8. Mark and drill pilot holes and install.



**Catalog Section: B**

**4-1/4" Dutch Door Bolt**

**Item# 11270**

**Date: Rev 01/18**