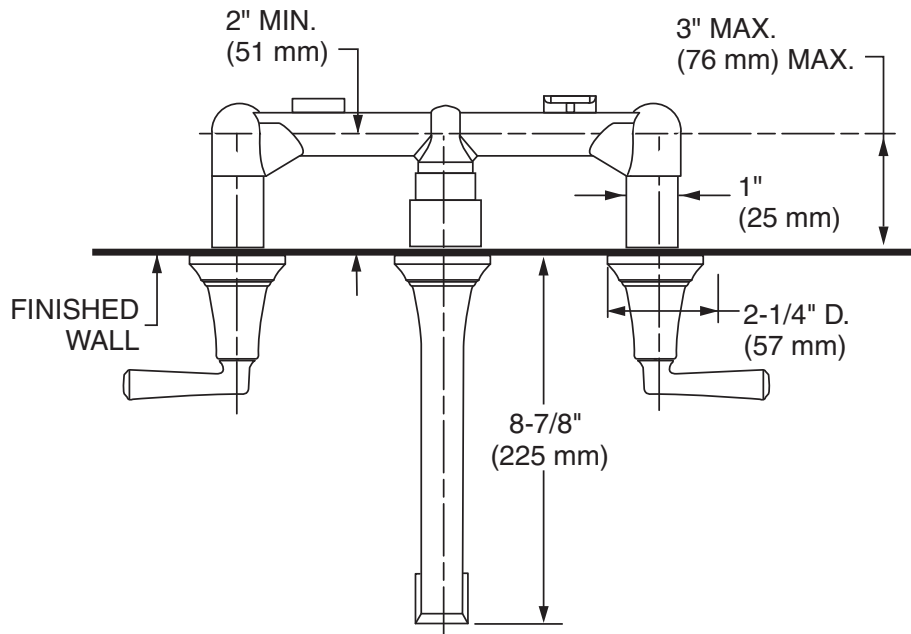


MODEL NUMBER:

□ **7455451 Town Square S Two-Handle Wall Mount Grid Drain.**



GENERAL DESCRIPTION:

Cast brass valve body on 8" centers. 1/4 turn washerless ceramic disc valve cartridges. Brass spout, metal lever handles. All brass grid drain body with 1-1/4" (32 mm) tailpiece. 1.2 gpm/4.5 L/min. maximum flow rate.

PRODUCT FEATURES:

Brass Construction: Durable. Easy to clean. Ideal for prolonged contact with water.

Ceramic Disc Valve Cartridge: Assures a lifetime of smooth handle operation and drip-free performance.

Lead Free: Faucet contains ≤ 0.25% total lead content by weighted average.

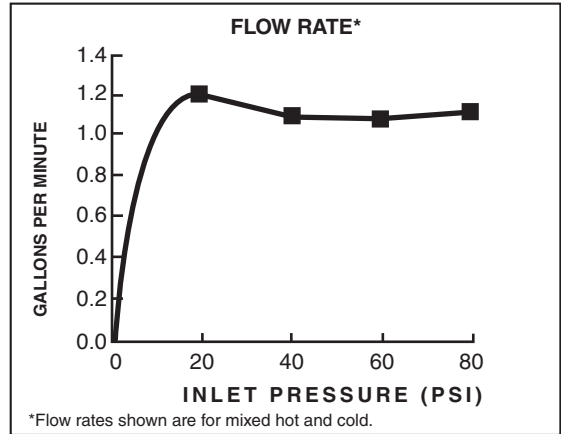
SUGGESTED SPECIFICATION

Two-handle in-wall lavatory faucet shall feature cast brass valve body. Shall also feature 1/4 turn washerless ceramic disc valve cartridges. Fitting shall be American Standard Model #7455451.____.

CODES AND STANDARDS

These products meet or exceed the following codes and standards:

- ANSI A117.1**
- ASME A112.18.1**
- CSA B125.1**
- NSF 61/Section 9 and Annex G**



Product Number	Description	Finish Options			
		Polished Nickel	Legacy Bronze	Polished Chrome	Brushed Nickel
		013	278	002	295
7455451	Town Square S wall mount faucet 				

 Meets the American Disabilities Act Guidelines and **ANSI A117.1** Requirements for the physically challenged.