

Outdoor Parcel Locker – 3302

Installation Instructions

Thank you for selecting the Model 3302 outdoor parcel locker. We are confident that the quality and construction of this product will provide years of maintenance-free use.

Note: Parcel lockers offer tenants a convenient way to receive packages on site and are fit with a two (2) key security system. When the U.S. Postal Service delivers a parcel to the locker, a parcel locker key is placed in the recipient's mailbox. Once the recipient opens the parcel locker, the key is automatically retained in the lock until it is removed with a USPS control key.

Preparatory Notes

The illustration shows a Model 3302 parcel locker and its matching pedestal. An experienced contractor should perform the installation. It is advisable to have the unit on hand before beginning construction of the concrete base.

After the unit has been installed on the pedestal and concrete pad, The USPS will install their control locks on the two parcel locker doors and the master loading door upon request.

Constructing Concrete Base

Prepare a concrete pad at least 4 feet square (for one (1) pedestal parcel locker) by a minimum 8 inches depth on a compacted gravel or crushed stone fill reaching down to the maximum frost depth. The concrete pad should include steel reinforcing rods and four (4) 1/2"-13 anchor bolts protruding at least 1 inch above the concrete surface. Place the anchor bolts in a 4 inch by 10 inch pattern matching the pedestal base as shown in the illustration.

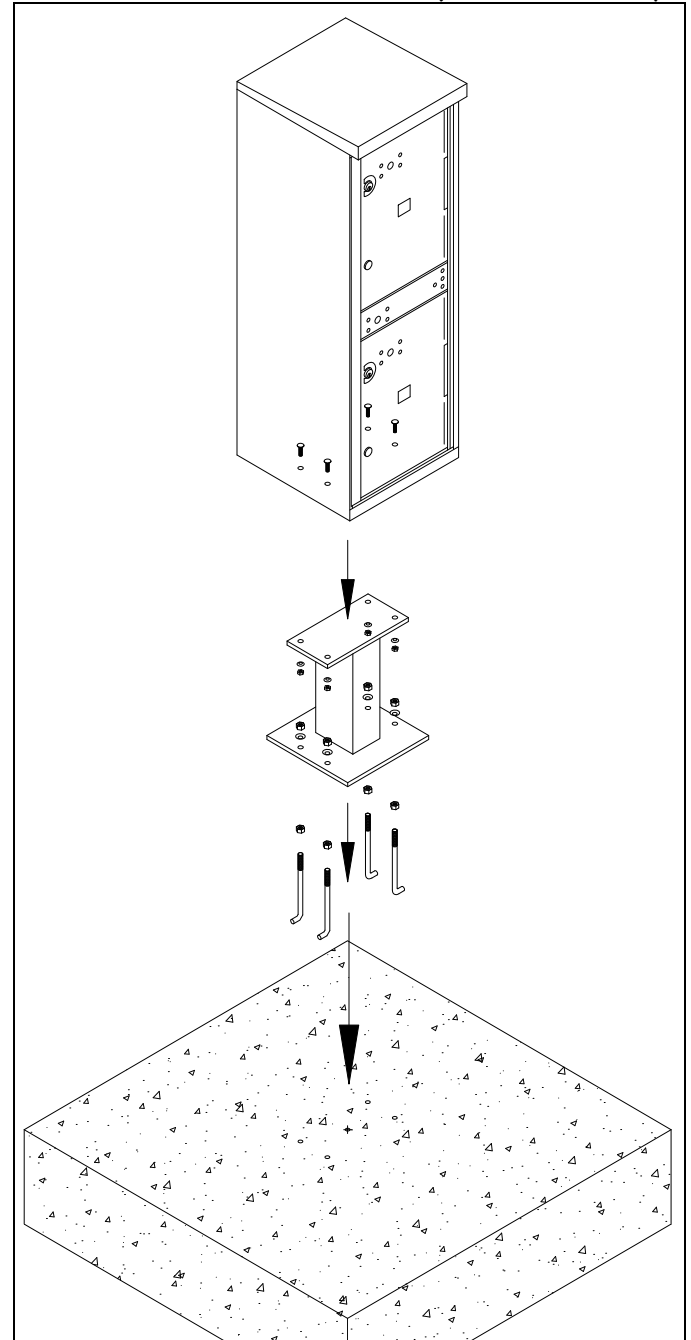
Installing Pedestal on Concrete Base

When the concrete has cured sufficiently, set the pedestal on the concrete base with the ends of the four anchor bolts protruding through the holes in the pedestal base plate. Install the nuts and washers on the anchor bolts and tighten securely. If necessary, use shims or the extra nuts provided to level the pedestal.

Installing Parcel Locker Unit on Pedestal

Open the lower door of the pedestal parcel locker and slide out the floating bottom shelf, exposing the four (4) holes to attach the unit to the top of the pedestal. Lift the unit onto the top of the pedestal, aligning the holes, and install the four (4) 3/8"-16 carriage bolts upward from underneath the pedestal top plate. From inside the parcel compartment, install the four (4) lock washers and nuts onto the bolt threads. Torque the nuts to 22 foot-pounds. Reinstall the floating shelf, covering the attachment holes.

Model 3302 Outdoor Parcel Locker (Includes Pedestal)



SALSBURY INDUSTRIES

1010 East 62nd Street, Los Angeles, CA 90001-1598
Phone: 1-800-624-5269 Int'l Phone: 323-846-6700
Fax: 1-800-624-5299 Int'l Fax: 323-846-6800

Outdoor Parcel Locker – 3302

Installation of Arrow Lock

This document covers the installation of the Arrow Lock in the carrier access door. *This lock is available only through the USPS and is to be installed by authorized USPS personnel only.*

Installation Procedure

1. Open carrier access door. See Illustration 1.
2. Remove five (5) 10-32 lock nuts with lock support plate. Dispose of plastic shipping spacer. Use 3/8" socket wrench for lock nuts. See Illustration 2.
3. Place Arrow Lock in one (1) Arrow Lock security bracket and position on door. See Illustration 3.
4. Replace one (1) 10-32 lock nut in the rear position to secure the Arrow Lock security bracket.
5. Install lock support plate as shown.
6. Replace four (4) 10-32 lock nuts. Torque to 25 to 30 inch-pounds. Overtightening may keep Arrow Lock from operating correctly.

Illustration 1

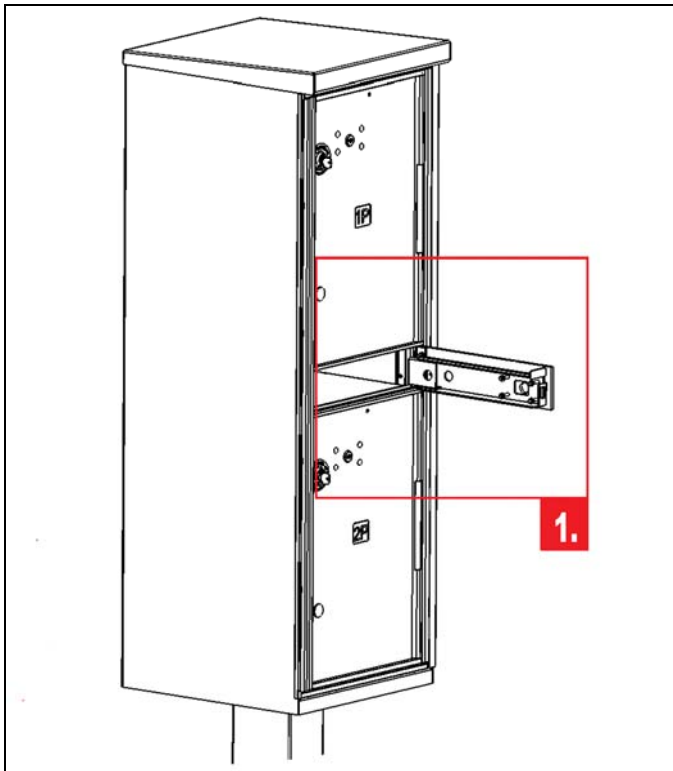


Illustration 2

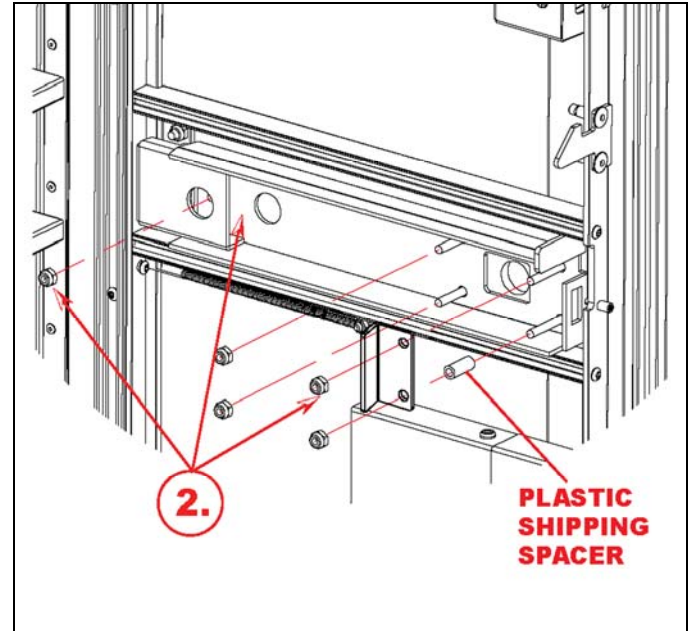
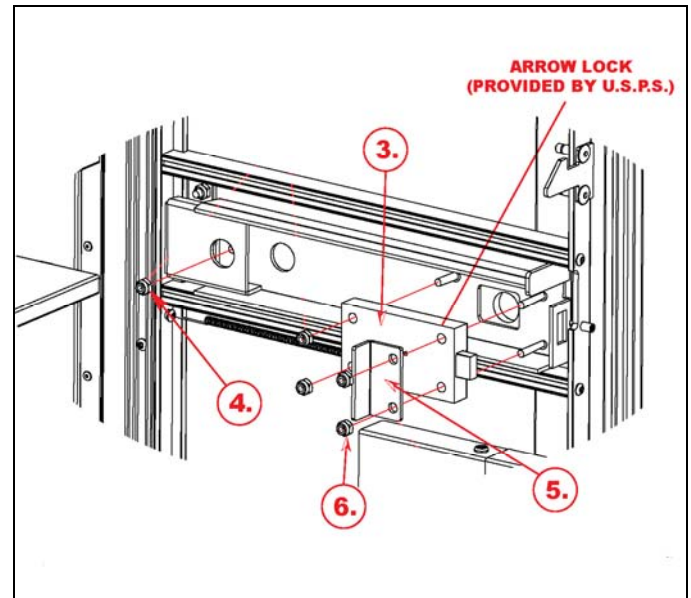


Illustration 3



SALSBURY INDUSTRIES

1010 East 62nd Street, Los Angeles, CA 90001-1598
Phone: 1-800-624-5269 Int'l Phone: 323-846-6700
Fax: 1-800-624-5299 Int'l Fax: 323-846-6800