

Description

The HALO Home smart LED motion sensor flood incorporates Bluetooth® Mesh technology into a durable, twin head design for an advanced outdoor lighting solution built for high performance. Features configurable settings for both the motion sensor and floodlight, including sensitivity, duration and scene control, as well as grouping, scheduling, dimming and white color tuning. The MST20C does not require a hub and can be wirelessly controlled directly from any compatible smart device utilizing the HALO Home app, or any HALO Home wireless switch or dimmer.

Catalog #		Type
Project		
Comments		Date
Prepared by		

Specification Features

Wireless System

- For use with the HALO Home mobile app
- Bluetooth low energy (BLE) mesh allows on/off and dimming to be controlled wirelessly with companion wall switches, smart phones and tablets using Halo Home mobile app
- Dual Bluetooth module design allows for separate floodlight (device) and motion sensor (controller) function
- White tuning, grouping, scheduling, scenes and countdown timer controlled through HALO Home mobile app
- Motion sensitivity control from 0-100%
- Photocontrol sensitivity from 0-100%

Construction

- Durable die-cast aluminum housing with UV stable clear lens
- Powder coated bronze or white finish
- Optically enhanced reflector improves efficiency and delivered lumens
- Tool-less head and motion sensor adjustment
- Wall or eave mounted to recessed or surface junction boxes

- cULus listed for wet locations
- External supply wiring 75°C minimum
- Motion sensor detects motion 180° up to 50 feet

Optics

- Two-stage optics for maximum coverage
- Wirelessly controlled white tuning from 3000K to 5000K CCT (factory default 4000K)
- Wirelessly controlled dimming to 5%

Electrical

- For use with 120-277V, 50/60Hz power sources
- Maintenance-free LED's with 70,000 hours of life
- Operating temperature of -30°C to 40°C

Warranty

Five year limited warranty



HALO Home MST20C Series

Twin Head LED Motion with Bluetooth Mesh Connectivity

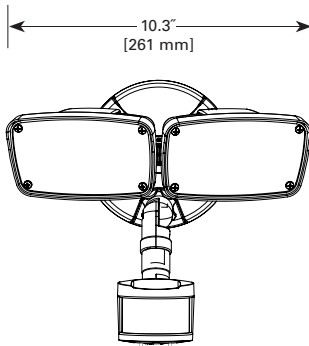
CCT Adjustable

Range from 3000K-5000K

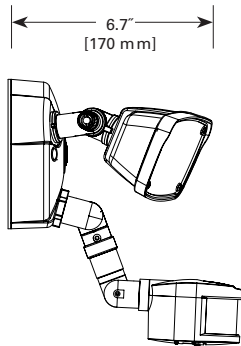


Dimensions

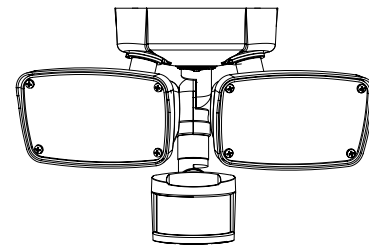
Front View



Side View



Eave Mount



Ordering Information

Sample Number: MST20C18W

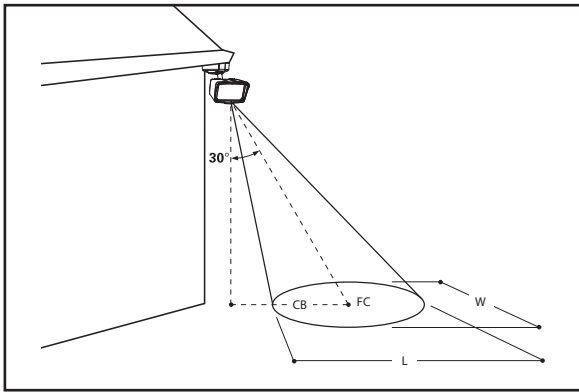
Application MS = Motion Sensor	Heads T = Twin Head	Nominal Wattage 20 = 20W	Protocol C = Connected Bluetooth Mesh Wireless Control, 4.0	Motion Sensor 18 = 180° Detection	Finish B = Bronze W = White
--	-------------------------------	------------------------------------	---	---	--



CERTIFICATION DATA
cULus wet location listed

TECHNICAL DATA
120-277V, 50/60Hz
-30°C to 40°C
temperature rating
External supply wiring 75°
minimum

Photometrics



Area Coverage

	Mounting Height	Length (L)	Width (W)	Area (Sq. Ft.)	Max FC
MST20C Series	10 ft.	18	40	720	4.3
	15 ft.	20	40	800	1.9
	20 ft.	20	40	800	1.1

Note: Bronze fixture at a typical mounting angle of 30° from vertical
All figures based on minimum footcandle (FC) of 0.5 and 4000K CCT.

Note: Specifications and Dimensions subject to change without notice.

Technical Information

Series	Voltage	Power (W)	Delivered Lumens (lm)*	Efficacy (lm/W)	CCT	CRI*	Motion Sensor
MST20C18B	120-277V, 50/60Hz	22.8	2034	89.2	Variable, 3000K - 5000K	84	Single PIR, 180° Detection
MST20C18W	120-277V, 50/60Hz	22.8	2034	89.2	Variable, 3000K - 5000K	84	Single PIR, 180° Detection

* Based on factory default setting of 4000K CCT

Description

The HALO Home In-Wall Accessory Dimmer controls your HALO Home lighting devices from a central location. The Accessory Dimmer is designed to connect to the HALO Home Bluetooth Mesh network with no hub or internet connection required. The Accessory Dimmer can occupy any position in a multi-gang junction box, while the other positions of the junction box can be occupied by switches or other dimmers. The Accessory Dimmer can operate HALO Home lighting fixtures with single, 3-way or multi-switch controls. For standard lights, the Accessory Dimmer can be used for multi-switch control when paired with HALO Home In-wall Smart Dimmer.

Catalog #		Type
Project		
Comments		Date
Prepared by		

Specification Features

Wireless System

- Utilizes Bluetooth Mesh 4.0
- Wireless range of up to 100 feet from Bluetooth device to device and up to 33 feet from Bluetooth smartphone/tablet to closest device.
- 2.4GHz signal frequency
- HALO Home products work better together. Smartphone will need to be within range to control a HALO Home device. Expand and strengthen the Bluetooth network range by adding more HALO Home devices. Visit halohomesupport.eaton.com to learn more.

Wireless Pairing

- See Halo quick start guide for wireless setup, guidance and troubleshooting.

Features

- Control HALO Home smart lights with the switch or free HALO Home app
- Features ON/OFF, Dimming Groups, Schedules, and Scenes
- Works with HALO Home smart LED lights only

Environmental

- Rated for Indoor Use only. 32°F to 104°F (0°C to 40°C) damp locations

Design Features

- Range: Up to 100 feet line of sight
- Dimmer to have four 6" pre-stripped wire leads for line (black), load (red), ground (green) and neutral (white)
- Air-gap switch disconnects power from load forcing an OFF condition to safely work on the light fixtures.
- Air-gap switch will also disconnect power from the internal circuitry of the dimmer.
- Air-gap switch is a 1 way switch – power is connected through the air-gap switch when the air-gap plastic is in, and power does not go through the air-gap switch when the air-gap plastic is pulled out.
- Neutral wire will be required for installation
- Large paddle switch that actuates 2 switches. Upper part of paddle actuates one switch ON, and lower part of paddle actuates the other switch OFF for ON and OFF functions listed below.
- Thin dimmer rocker switch that also actuates 2 more switches. Upper part of rocker actuates one switch Brighten, and lower part of paddle actuates the other switch Dim for Brighten and Dim functions listed below.
- One status LED under firmware control
- Dimming state shall be retained in the event of AC power loss.
- Acoustic noise not to exceed 22 dBa SPL at 1 ft

Button Functions

- Dim up (Brighten) will brighten the lamps associated to the Smart Dimmer
- Dim down will dim the lamps associated to the Smart Dimmer
- ON will turn on the lamps associated to the Smart Dimmer
- OFF will turn off the lamps associated to the Smart Dimmer
- Holding the ON button for 12 seconds will factory reset the dimmer and it will also be in Bluetooth pairing mode.

Factory Reset

- Hold the ON button for 12 seconds to reset and claim to your account.

Certifications & Compliance

- cULus Listed, NOM Certified. Complies with FCC Part 15, Class B
- Industry Canada RSS-Gen and RSS-247
- Title 24 and Title 20 Compliant
- NEMA SSL 7A Compliant type 1 Dimmer
- Bluetooth Certification 4.1 or higher + Mesh
- ROHS-2

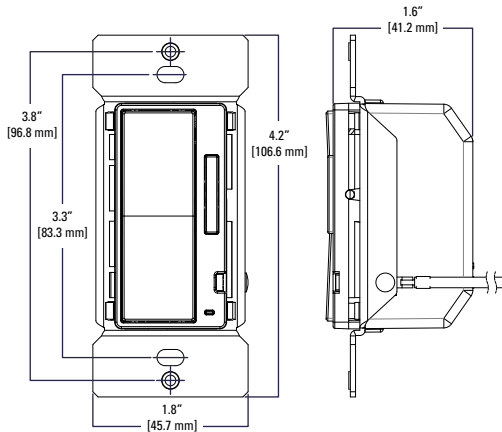
Warranty

Five year limited warranty, consult website for details. eaton.com/lighting/legal



HALO Home HIWAC

HALO Home In-wall Accessory Dimmer



Single Switch, 3-way or multi-switch with HALO Home Lighting Fixtures



Smart Lighting 3-way or multi-switch for standard lighting fixtures



Ordering Information

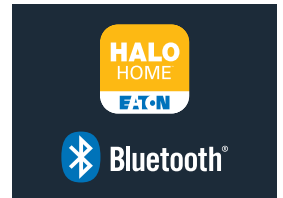
SAMPLE NUMBER: HIWAC1BLE40AWH

Device	Generation	Radio	Finish
HIWAC = HALO In-Wall Accessory Dimmer ¹	1=1st generation	BLE40A=Bluetooth Low Energy 4.0	WH=White BL=Black LA=Light Almond

1. Wall plate sold separately.

Multi-Unit Installation Chart

Device	Load Type	1-Gang	2-Gang	3-Gang
HIWAC1BLE40AWH	INC/ELV/FLR/Halogen/MLV	600W/VA	550W/VA	500W/VA
	LED/CFL	300W	300W	300W



ENERGY DATA	
Input Voltage	120V
Input Current	-
Input Power	5W
Efficiency	-
Inrush (A)	-
THD: -	
PF: -	
T Ambient -	
Sound Rating -	