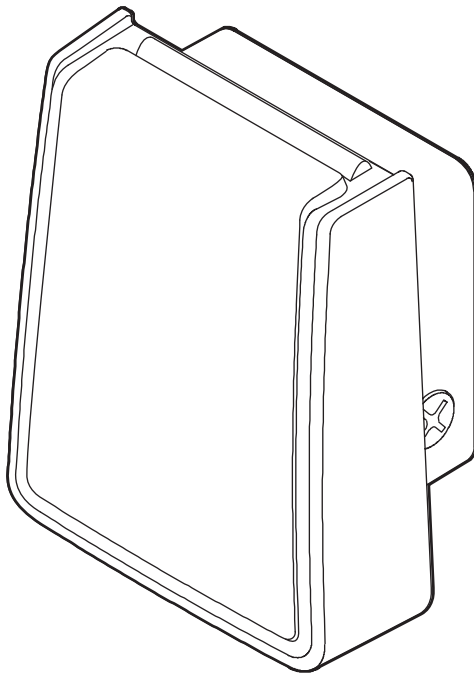


# USE AND CARE GUIDE

---

## STEALTH LED SLIM WALLPACK



Questions, problems, missing parts? Before returning to the store,  
call Commercial Electric Customer Service  
9 a.m. - 5 p.m., EST, Monday - Friday

1-844-548-3776

[HOMEDEPOT.COM](http://HOMEDEPOT.COM)

---

### THANK YOU

*We appreciate the trust and confidence you have placed in Commercial Electric through the purchase of this LED wallpack. We strive to continually create quality products designed to enhance your home. Visit us online to see our full line of products available for your home improvement needs. Thank you for choosing Commercial Electric!*

# Table of Contents

Safety Information .....2  
Warranty.....2  
Pre-Installation.....3  
Preparing for Installation .....5

Installation.....5  
Care and Cleaning .....9  
Troubleshooting .....9

## Safety Information

### IMPORTANT

THIS PRODUCT MUST BE INSTALLED IN ACCORDANCE WITH THE APPLICABLE NATIONAL ELECTRICAL CODE AND LOCAL BUILDING CODES BY A PERSON FAMILIAR WITH THE CONSTRUCTION AND OPERATION OF THE PRODUCT AND THE HAZARDS INVOLVED.

### PRECAUTIONS

- Please read and understand this entire manual before attempting to assemble, install, or operate this light fixture.
- This light fixture requires a 120–277 Volt AC power source.
- Some codes require installation by a qualified electrician.
- This light fixture must be properly grounded.
- Make sure connections are secure using included Wago connector, crimp-on lugs or other UL approved connecting devices.
- This light fixture should be installed outdoors to a wall.
- This product may contain chemicals known to be hazardous. Thoroughly wash hands after installing, handling, cleaning or otherwise touching the product.



**WARNING:** Before installation or servicing, turn the power OFF at the circuit breaker or fuse. Place tape over the circuit breaker switch and verify power is OFF at the light fixture.



**WARNING:** Risk of fire. Keep the light fixture at least 3 in. (76 mm) from combustible materials.



**CAUTION:** Burn hazard. Allow the light fixture to cool before touching.

**NOTICE:** Do not connect this fixture to a dimmer switch.

**NOTICE:** FCC Regulations state that any unauthorized changes or modifications to this equipment not expressly approved by the manufacturer could void the user's authorization to operate this equipment.



**IMPORTANT:** The device is tested and found to comply with Part 15 of the FCC Rules. Operation is subject to two conditions: (1) this device may not cause harmful interference and, (2) this device must accept any interference received, including any interference that may cause undesired operation.

This equipment has been tested and found to comply with the limits for a Class A digital device, pursuant to Part 15 of the FCC rules. These limits are designed to provide reasonable protection against harmful interference when the equipment is operated in a commercial environment. The equipment generates, uses, and can radiate radio frequency energy and, if not installed and used in accordance with the instruction manual, may cause harmful interference to radio communications. Operation of the equipment in a residential area is likely to cause harmful interference in which case the user will be required to correct the interference at his own expense.

## Warranty

This is a limited warranty offered by the manufacturer for a period of five years from the date of purchase to its customers. The manufacturer warrants to customers that the products will be free from defects in material and workmanship. The obligation of the manufacturer under this warranty is limited to the provision of replacement of products and is extended to the original purchaser of the product on presenting valid purchase receipt or other proof of date of original purchase acceptable to the manufacturer. The receipt is required for rendering the warranty performance. Any warranty claims without original proof of purchase would not be accepted.

It should be noted that the warranty does not apply to the manufacturer products that have been altered or repaired by unauthorized personnel, have been subjected to neglect, abuse, misuse or accident or damages caused during shipping. Any other products not manufactured by the manufacturer which have been supplied, installed and/or used in conjunction with the manufacturer products are not covered under this warranty. Any damages caused by replacements bulbs, LEDs or corrosion or discoloration of brass components are also not covered by this warranty.

# Warranty (continued)

## LIMITATION OF LIABILITY

In no event shall the manufacturer be liable for indirect, consequential, incidental or special damages, or lost profits. The manufacturer is not liable for any claims or damage arising out of or connected with the manufacture, sale, delivery, use, maintenance and repair or modification of the manufacturer products, or supply of any replacement parts that exceed the purchase price of the manufacturer products giving rise to a claim. Labor charges to remove or install the fixtures will not be accepted.

## TO CLAIM

Please contact The Home Depot customer service at 1-844-548-3776 or email [support@homedepot.com](mailto:support@homedepot.com) and include your name, address and contact number, along with a copy of the purchase receipt and a brief description of the problem.

## Pre-Installation

### PLANNING INSTALLATION

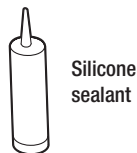
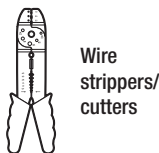
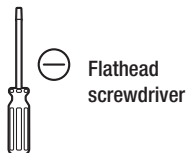
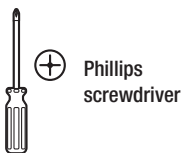
Before installing the light fixture, ensure that all parts are present. Compare parts with the Hardware Included and Package Contents sections. If any part is missing or damaged, do not attempt to assemble, install, or operate this light fixture.

Estimated installation time: 20 minutes

### SPECIFICATIONS

Lumens (Light Output)	1600 Lumens
Watts (Power Consumption)	15 Watts LED
Replaces	70 Watt Metal Halide
Lumens/Watts (Efficacy)	107 Lumens per watt
Power Requirements (Input Voltage)	120–277VAC
Light Color (CCT)	4000 Kelvins (Bright White)
Dimmable	Non-Dimming (Do not wire to dimming switch)
Operating Modes	<b>Switch-Controlled:</b> Flip switch to turn light fixture ON and OFF.

### TOOLS REQUIRED



# Pre-Installation (continued)

## HARDWARE INCLUDED

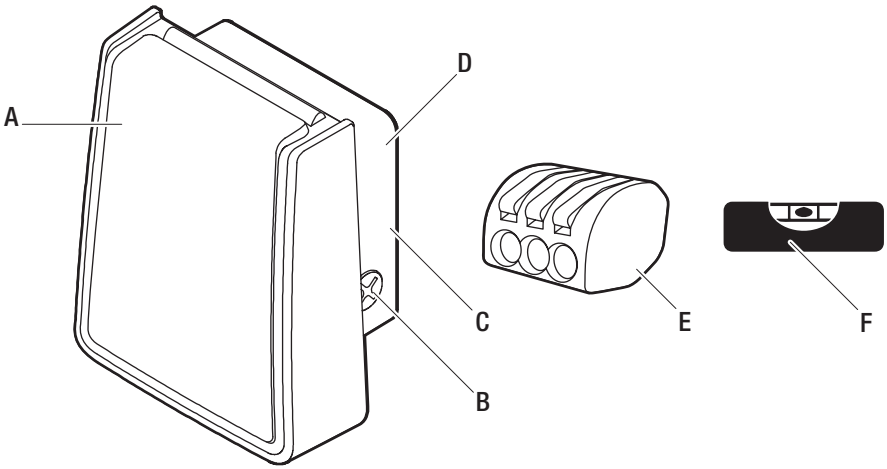


NOTE: Hardware not shown to actual size.



Part	Description	Quantity
AA	#8-32x3/4 in. Phillips mounting base screw	2

## PACKAGE CONTENTS



Part	Description	Quantity
A	Light fixture	1
B	Conduit entry plug	2
C	Mounting base screw (pre-installed)	1
D	Mounting base	1
E	Wago quick wire connectors (pre-installed in fixture back box)	3
F	Leveling bubble (pre-installed in fixture back box)	1

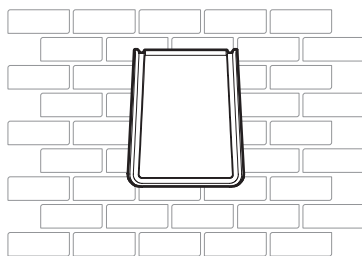
# Preparing for Installation

Review this information to ensure a successful installation:

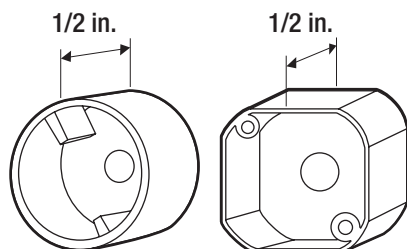
- The fixture can be mounted in the following two ways:
  - **Junction Box Mount:** Use an external junction box to mount the fixture.
  - **Surface Conduit Mount:** The fixture can be mounted directly on a wall surface using conduit entry.
- When installing two fixtures on one switch, make sure the switch is rated for at least a 1A inductive load.
- Do NOT wire to a dimming switch.
- The fixture must always be mounted with the light facing downward.



**NOTE:** The mounting base (D) mounts to recessed mounted standard junction boxes or to the surface directly. Junction box must be at least 1/2 in. in depth for proper installation for recessed mount application.



Wall mount



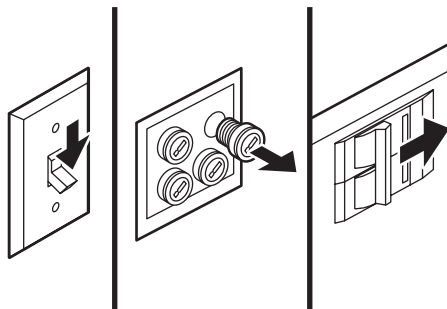
Round

Octagonal/Square

# Installation

## 1 Turning off the electricity

- Verify the wall switch is in the Off position.
- Turn off power at the circuit breaker that supplies power to the outlet box you are working on.
- For screw-in type fuses unscrew the fuse that supplies power to the outlet box you are working on.



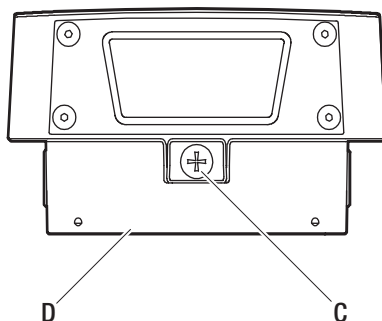
## Installation (continued)

### 2 Removing the mounting base



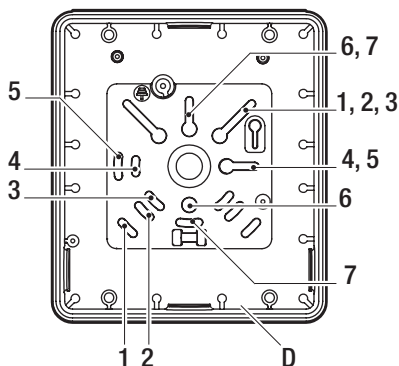
**NOTE:** The mounting base screw (C) comes pre-assembled on the light fixture.

- Remove the mounting base (D) from the bottom of the fixture by loosening (do not fully remove) the mounting base screw (C) using a Phillips screwdriver.



### 3 Removing the knock outs on the mounting base

- Refer to the guide in this figure to select the holes to knock out or measure your junction mounting holes and determining proper knock-outs on the fixture's back housing.
- Use a flathead screwdriver and hammer (or suitable power drill with drill bit) to knock out two holes in the mounting base (D) in the desired locations to align properly with the junction box.



**Junction Box Mounting Guide**

Junction Box Mounting Guide			
1-1	4 in. Square Box	5-5	4 in. Round Box
2-2	4 in. Octagonal Box	6-6	2-3/4 in. Hole Pattern
3-3	3-1/2 in. Square/Octagonal Box	7-7	Single Gang
4-4	Masonry Box		

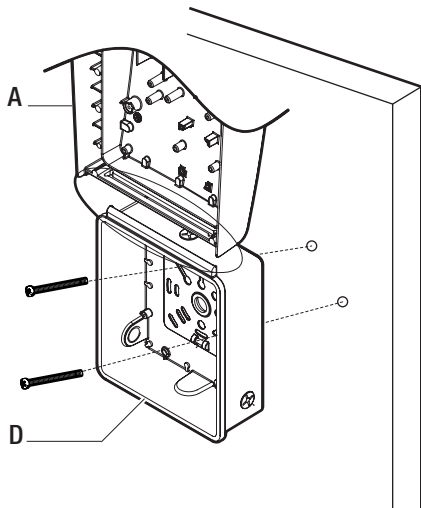
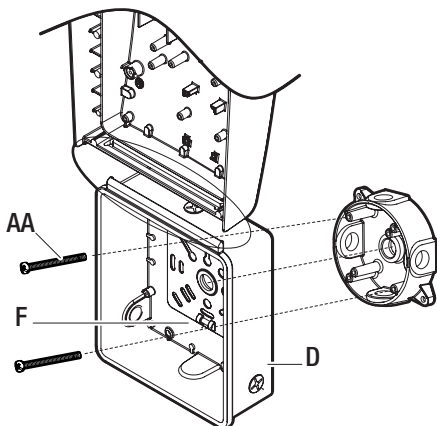
## 4 Installing the mounting base

### Junction Box Mount

- Route the junction box wires through the rubber center plug in the mounting base (D), by pushing one wire through each hole in the plug.
- Use the leveling bubble (F) inside the back housing to adjust the mounting base (D) for a level install.
- Align the holes on the mounting base (D) with the holes on your junction box. Use two #8 screws (AA), depending on the size of the holes in your junction box, to attach the mounting base (D) to your junction box. (Fig. 2)

### Surface Conduit Mount

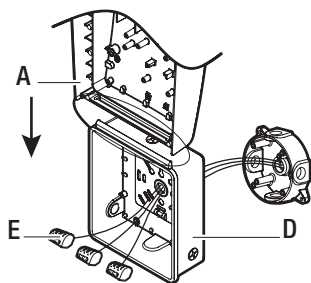
- Mark and drill two holes on the wall surface as per the desired location for installing the mounting base (D).
- Use two or more suitable screws (not included) applicable to the mounting surface and attach the mounting base (D) on the surface.



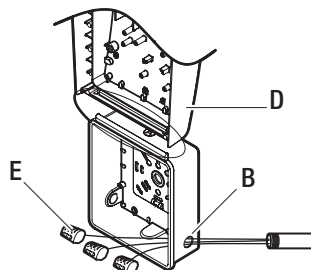
## Installation (continued)

### 5 Making the electrical connections

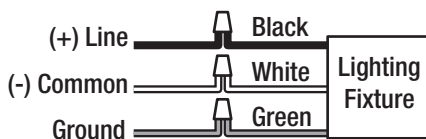
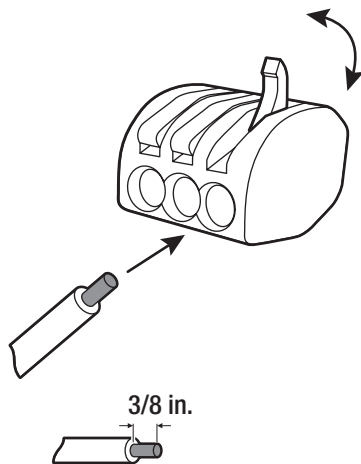
- For handsfree operation, to allow both hands to make electrical connections, use the hinge on the mounting base (D) to hang the fixture.
- For the conduit mount installation, remove one conduit plug (B) from the side of the fixture where the conduit will enter.
- If necessary, strip 3/8 in. of insulation from the junction box or fixture (A) wires.
- Connect the fixture black wire to the supply black wire ((+) line), and fixture white wire to the supply white wire ((-) common) by inserting the exposed supply wires into the corresponding Wago connector (E). Ensure there are no loose wires.
- Connect the supply ground wire to the green fixture ground wire by inserting the exposed supply wires into the corresponding Wago connector (E). Ensure there are no loose wires.



Junction Box Mount



Surface Conduit Mount

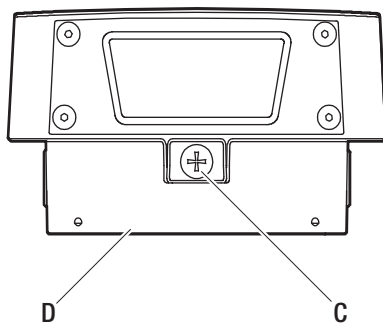




## Installation (continued)

### 6 Mounting the light fixture

- Close the fixture by tightening the mounting base screw (C) using a Phillips screwdriver.



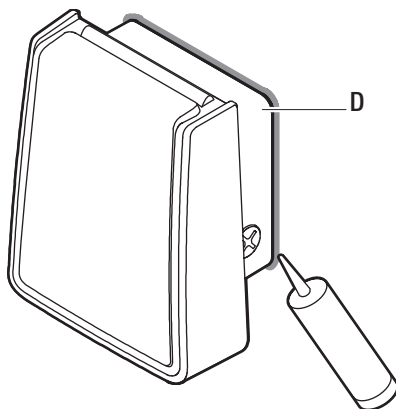
### 7 Caulking around the light fixture

- Caulk around the mounting base (D) and surface with silicone sealant (not included).

**NOTICE:** Failure to properly caulk around the surface and mounting base (D) could lead to water damage and is not covered under warranty.



**NOTE:** When attaching this fixture (A) to an external, surface mount junction box, caulk the inside of the light fixture before attaching to the mounting base (D).



## Care and Cleaning

- Shut off the main power supply before cleaning the product. To prolong the original appearance, clean the light fixture with clear water and a soft, damp cloth only.
- Do not use abrasive cleaners or cleaners that contain alcohol. Do not apply paints, solvents, or any other chemicals on this light fixture. They could cause a premature deterioration of the finish and may void the warranty.
- Do not spray the light fixture with a hose or power washer.

## Troubleshooting

If the light does not come on:

- Verify that the power is turned ON from the circuit breaker and wall switch.
- Verify the wiring for the fixture is done properly.
- Verify the line voltage is correct.

If the light flickers:

- Do not wire to a dimming switch, use a standard ON/OFF switch.



**Questions, problems, missing parts? Before returning to the store,  
call Commercial Electric Customer Service  
9 a.m. - 5 p.m., EST, Monday-Friday**

**1-844-548-3776**

**HOMEDEPOT.COM**

**Retain this manual for future use.**