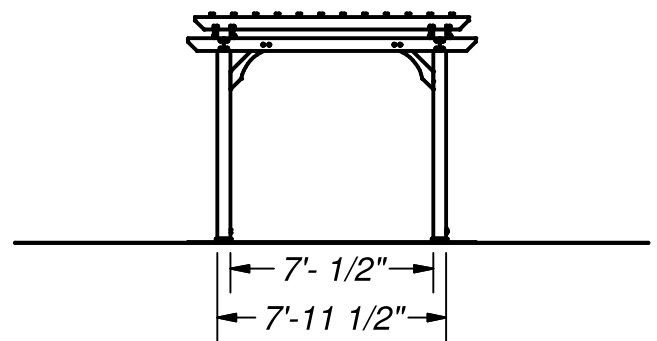
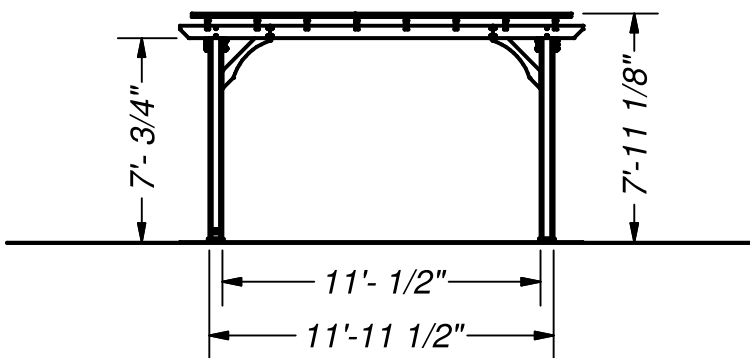
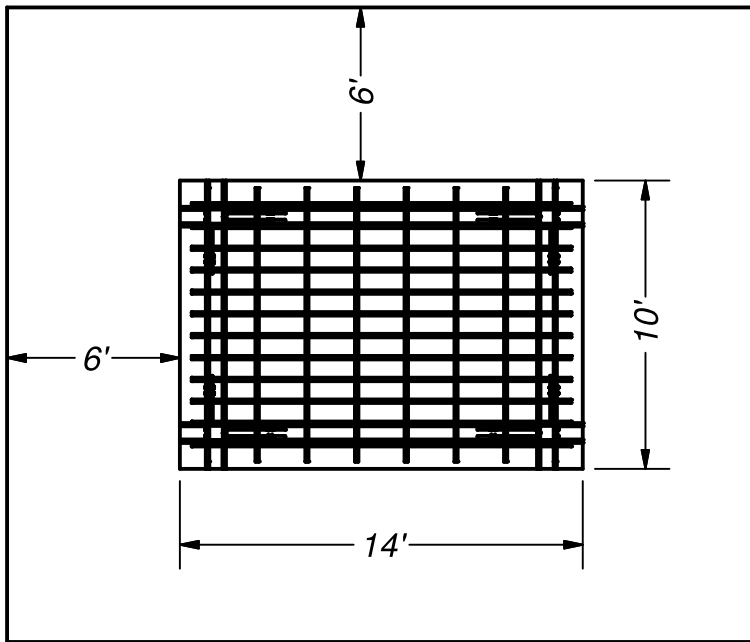


# Basic Setup Dimensions

Place the set on level ground, not less than 6 ft [2 m] from any structure or obstruction such as a fence, garage, house, overhanging branches, laundry lines, or electrical wires.



## Important Assembly Notes

- 1) While assembling unit, take time before and after each phase to make sure unit is level. If unit is not level, assembly will be difficult and improper assembly may result. Extra care must be taken to ensure the unit is square.
- 2) Pay close attention to the **ITEMS NEEDED FOR EACH PHASE**. They can be a valuable aid when sorting your wood and hardware. Assembly will be made easier if items are sorted by phase.
- 3) Pay close attention to make sure you are using the correct hardware in the correct phases. Using incorrect hardware may result in improper assembly.
- 4) Whenever a T-nut is used, follow these directions. Place T-nut in pre-drilled hole. Tap in with hammer. Place bolt with washers in the opposite side. Hand tighten to make sure the bolt is in the T-nut. **DO NOT** over tighten.
- 5) Read the steps of each phase thoroughly. The written steps may include important information not shown in the illustrations.