
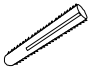

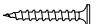
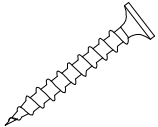

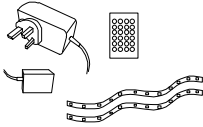
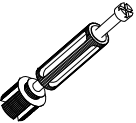

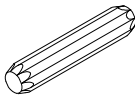
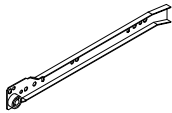
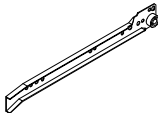
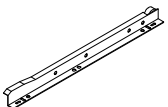
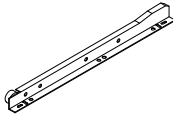

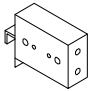
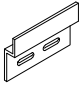
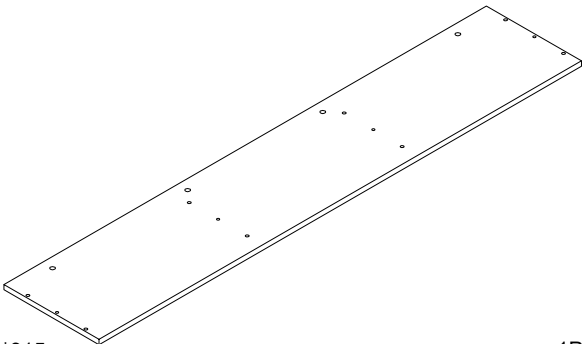
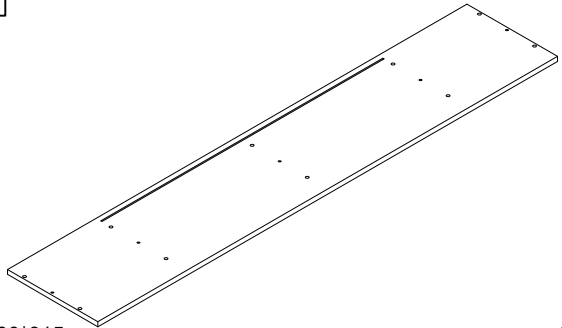
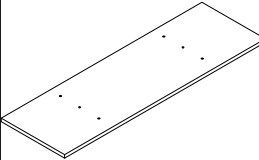
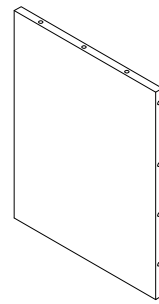
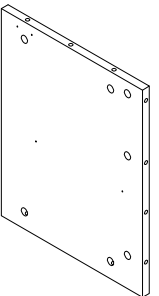
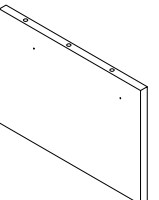
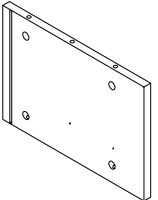
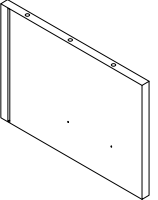
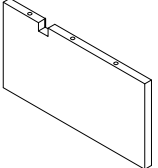
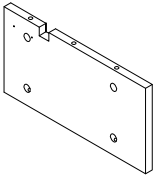
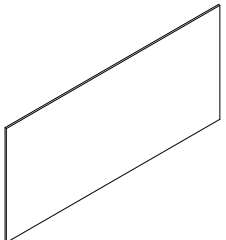
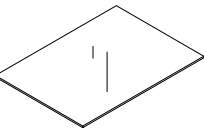

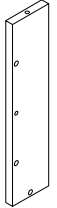
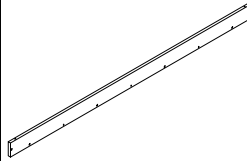
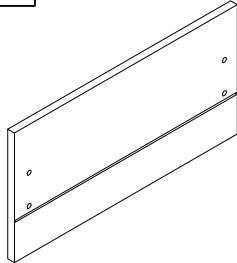
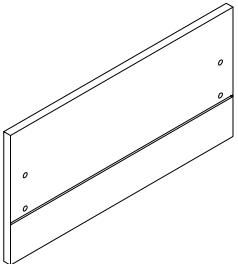
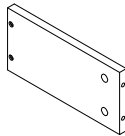
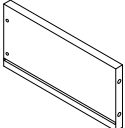
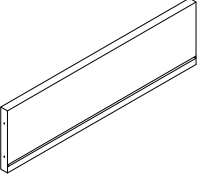
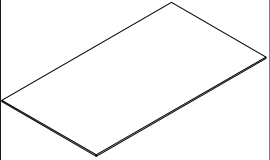


K	3.5*30	L		M	4*50	N	3.5*14	O	3.5*35	P		LED		
														
8PCS		8PCS		8PCS		24PCS		8PCS		10PCS		1PCS		
A		B		C	8*40	D	250mm	E	250mm	F	250mm	G	250mm	
														
48PCS		48PCS		21PCS		2PCS		2PCS		2PCS		2PCS		
												H	I	J
														
												8PCS	4PCS	4PCS

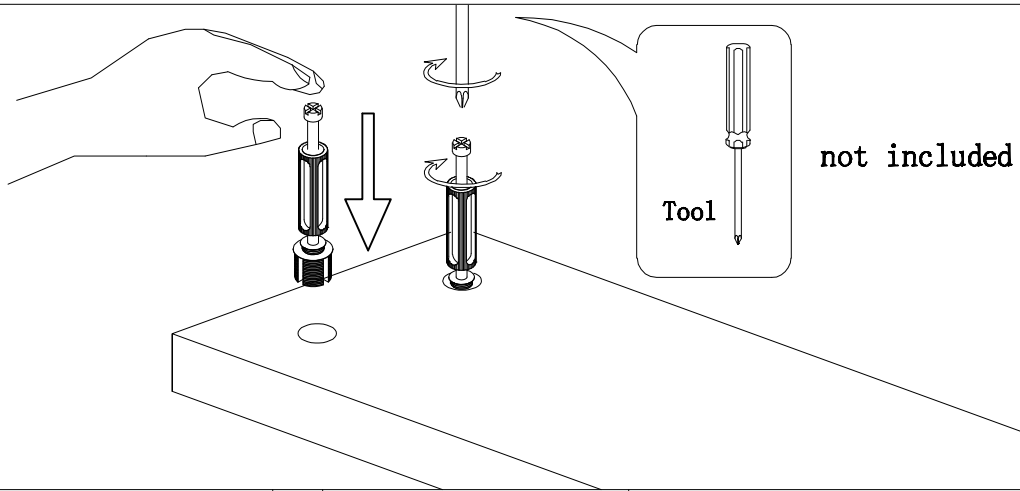
<p>1</p>  <p>1600*315 1PCS</p>	<p>2</p>  <p>1600*315 1PCS</p>	<p>3</p>  <p>999*315 1PCS</p>	<p>4</p>  <p>400*315 1PCS</p>		
<p>5</p>  <p>400*315 1PCS</p>	<p>6</p>  <p>220*315 1PCS</p>	<p>7</p>  <p>220**315 1PCS</p>	<p>8</p>  <p>220*315 1PCS</p>	<p>9</p>  <p>315*165 1PCS</p>	<p>10</p>  <p>315*165 1PCS</p>
<p>11</p>  <p>485*230 2PCS</p>	<p>12</p>  <p>282*305 2PCS</p>	<p>13</p>  <p>351*80 1PCS</p>	<p>14</p>  <p>351*80 1PCS</p>	<p>15</p>  <p>1600*80 1PCS</p>	<p>16</p>  <p>496*250 1PCS</p>
<p>17</p>  <p>496*250 1PCS</p>	<p>18</p>  <p>250*120 2PCS</p>	<p>19</p>  <p>250*120 2PCS</p>	<p>20</p>  <p>420*120 2PCS</p>	<p>21</p>  <p>430*244 2PCS</p>	



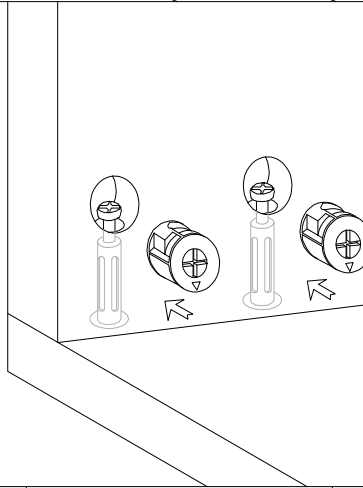
Hardware installation demonstration

NOTE: Please make sure "A" hardware tightened and can't be pulled out!

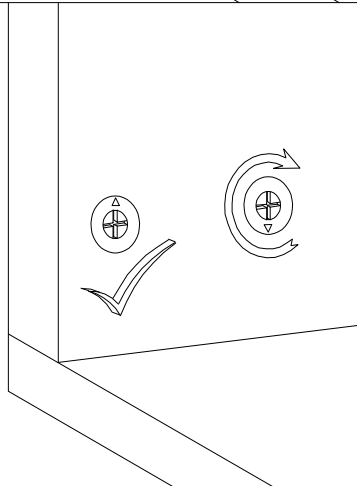
I



II

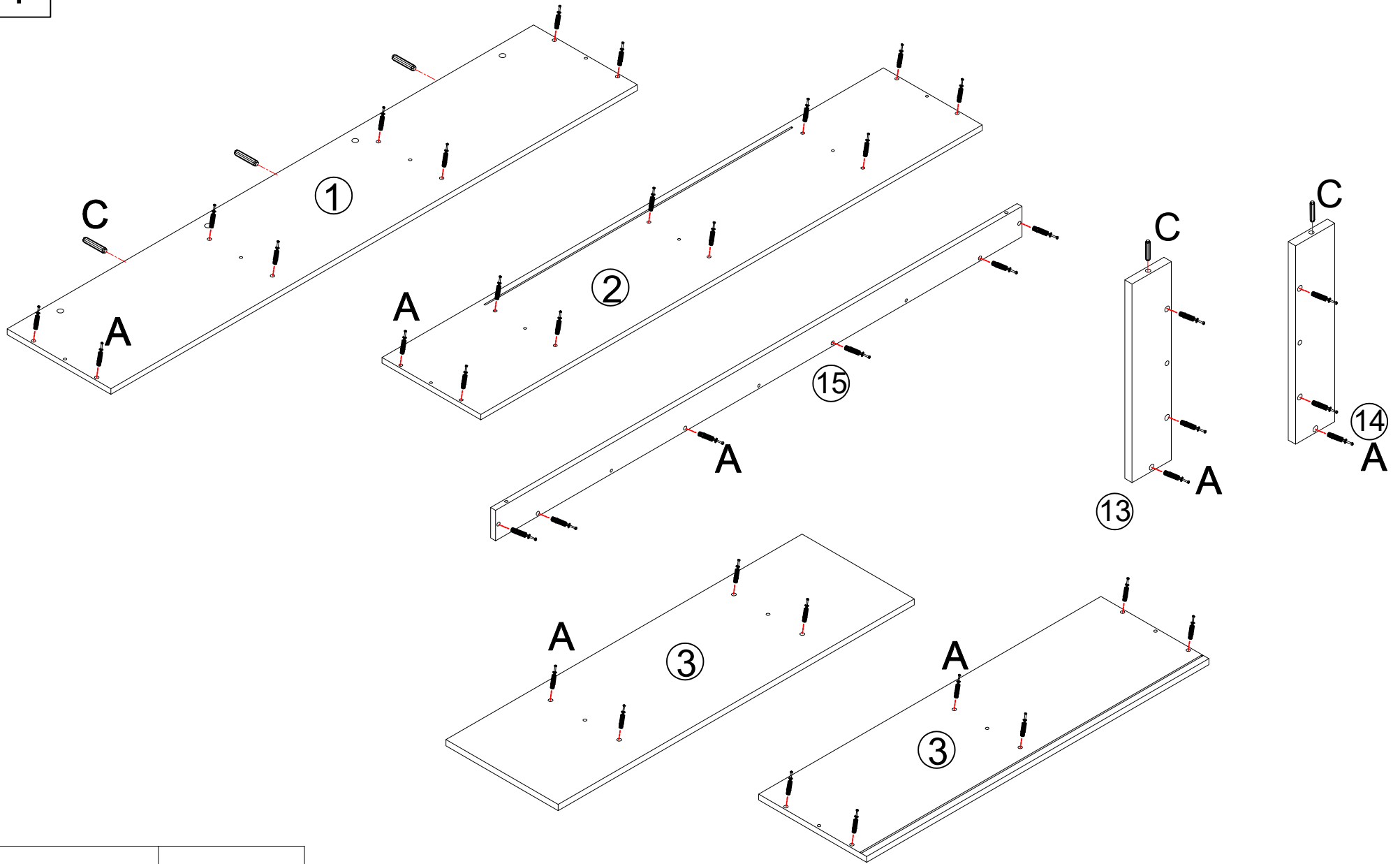


III



Scan QR code for assembly video

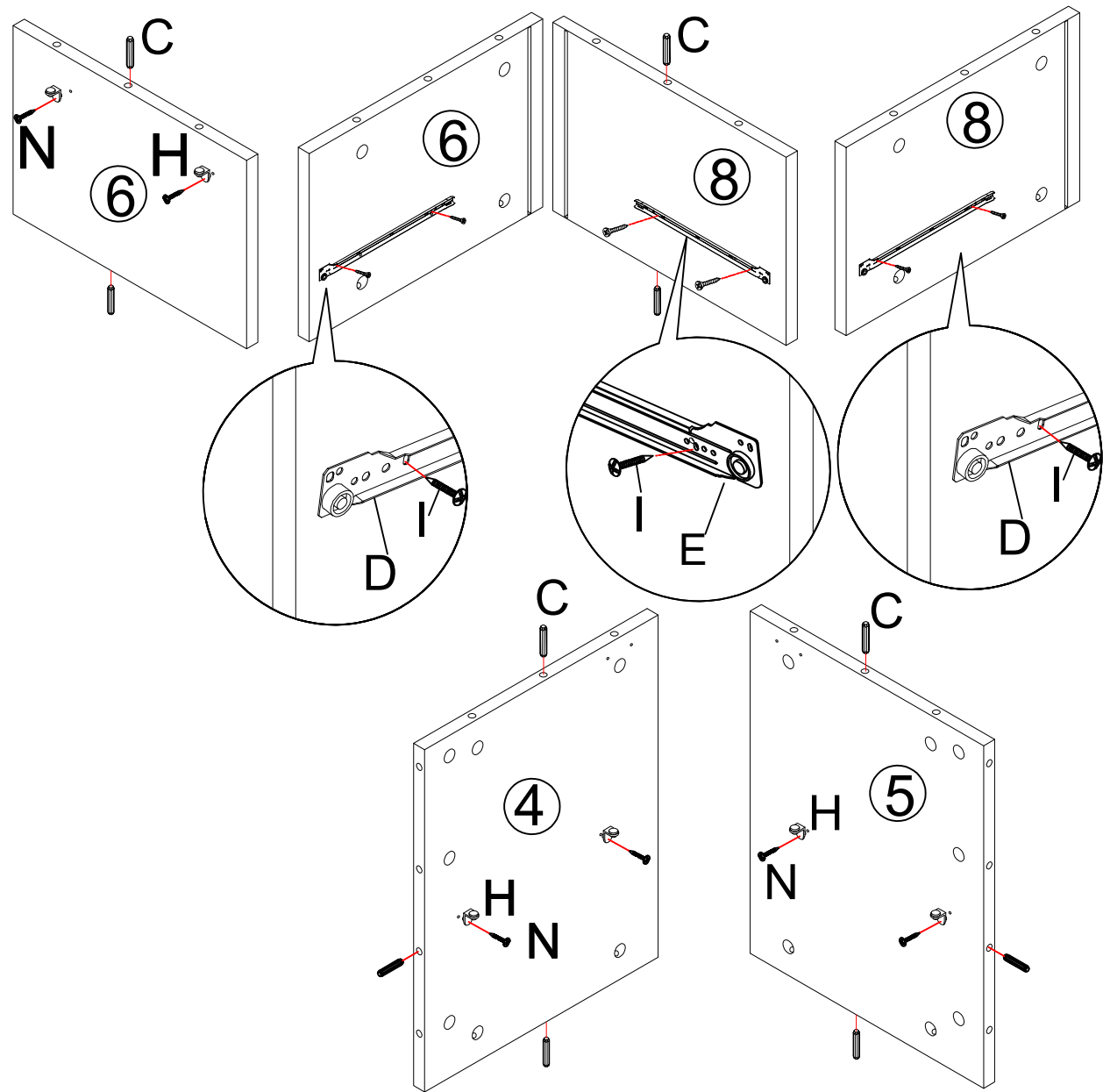
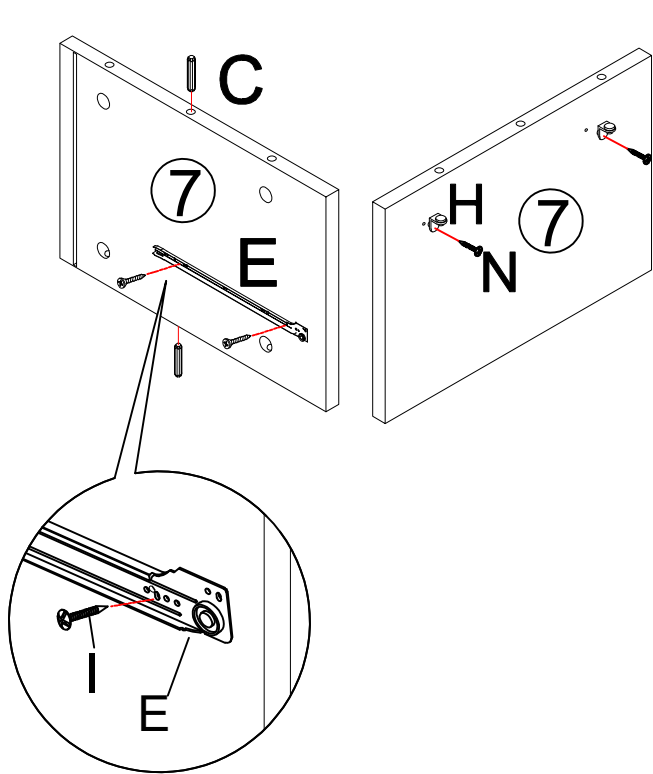
1


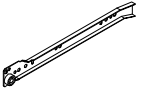
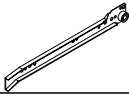




A*40

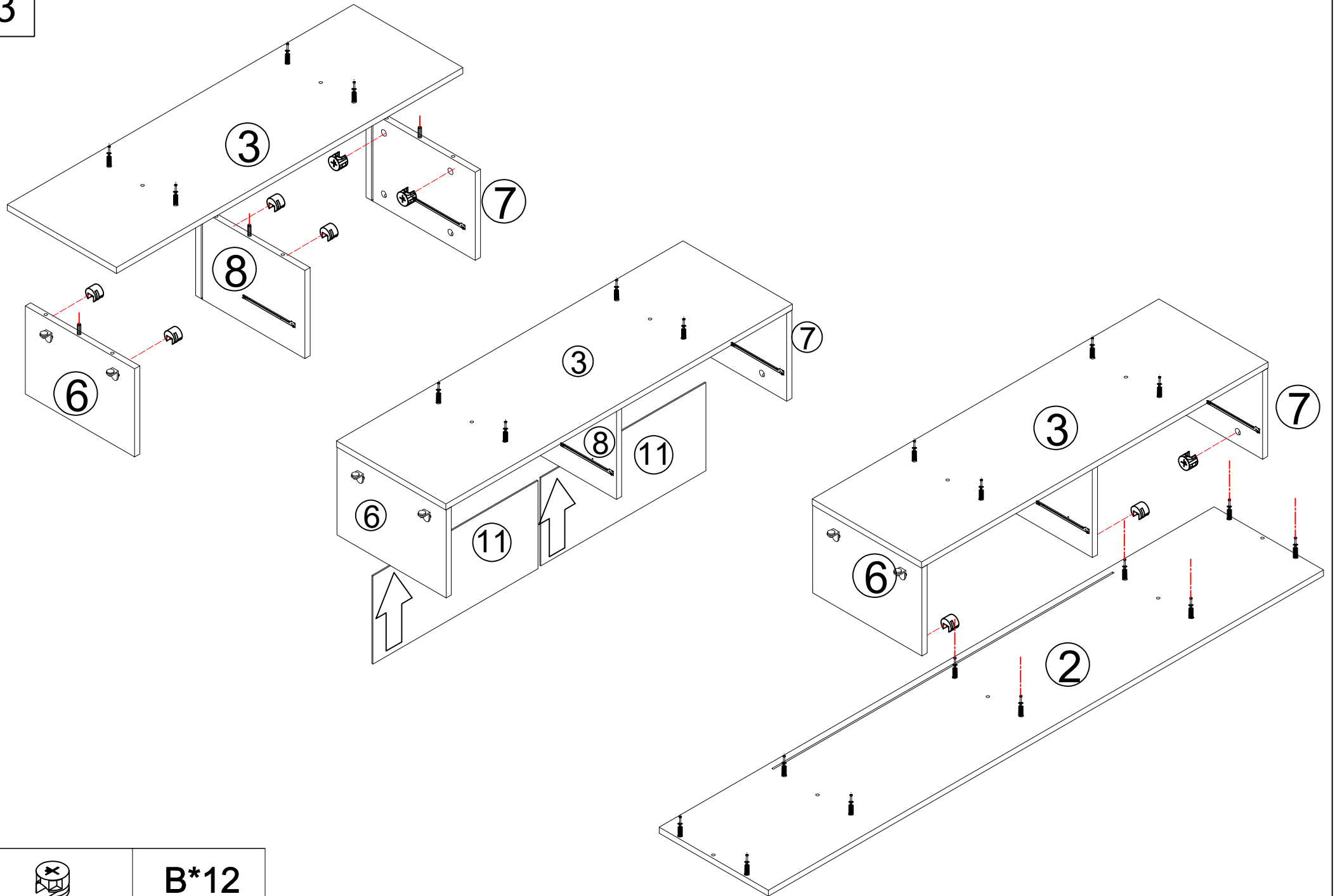


C*5



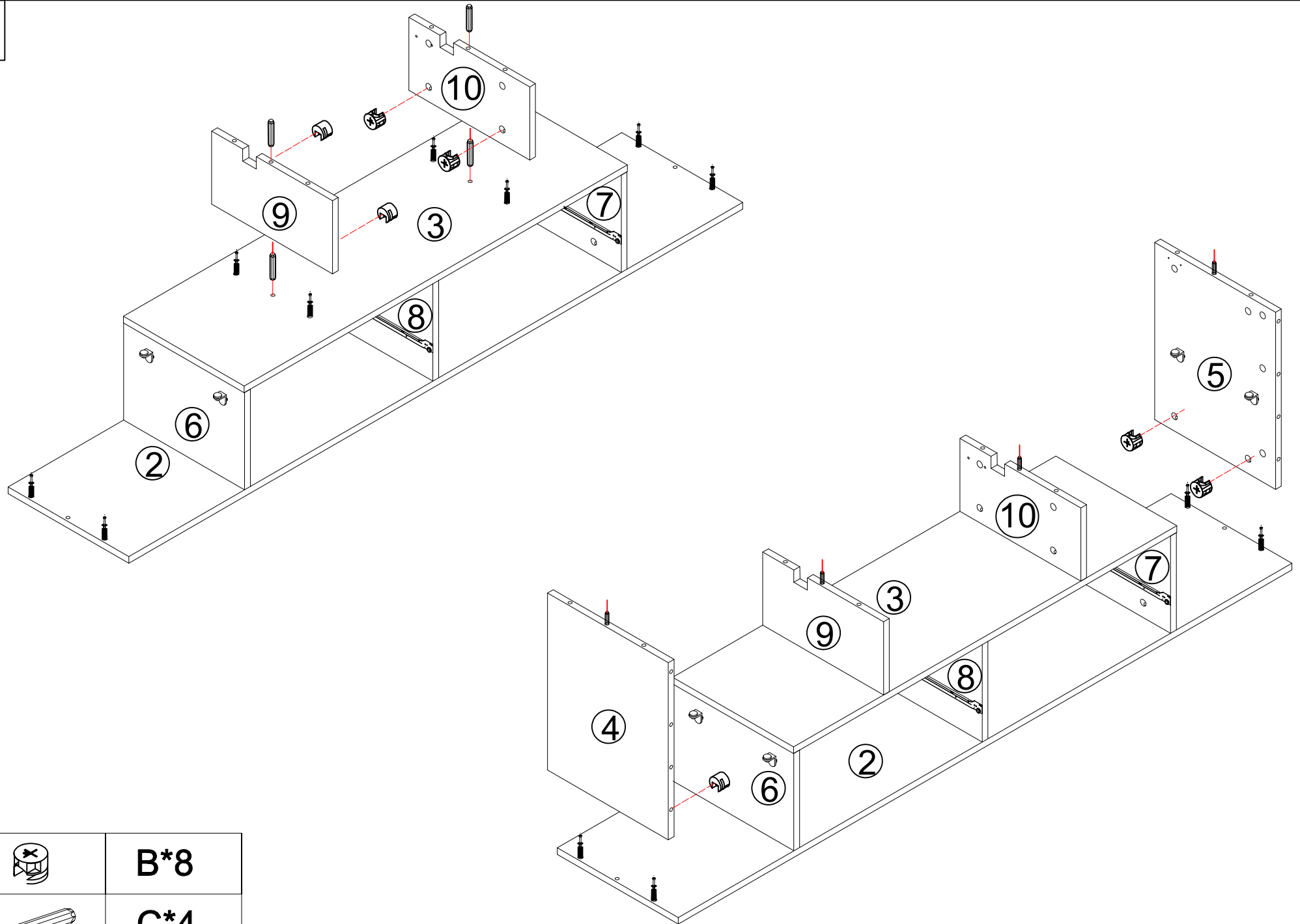
	C*12
	D*2
	E*2
	H*8
	N*16

3



B*12

4

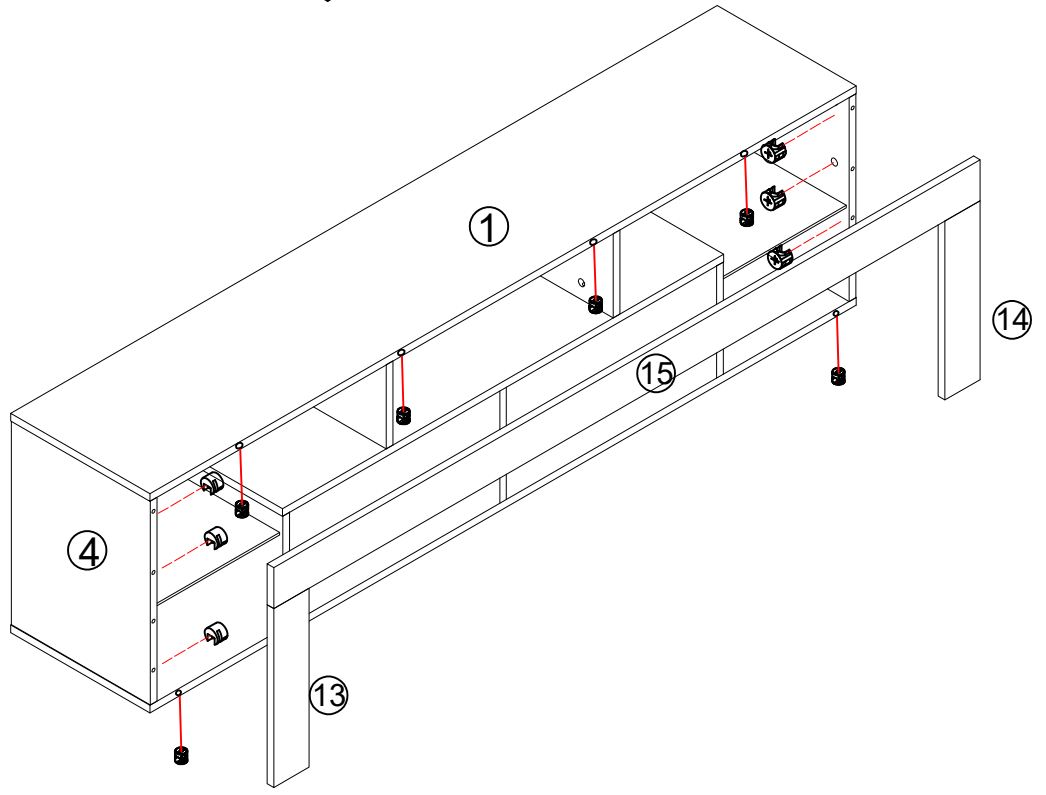
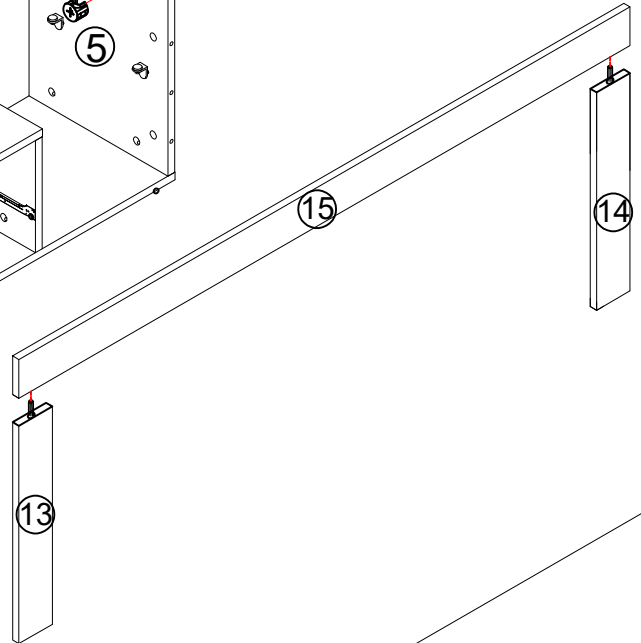
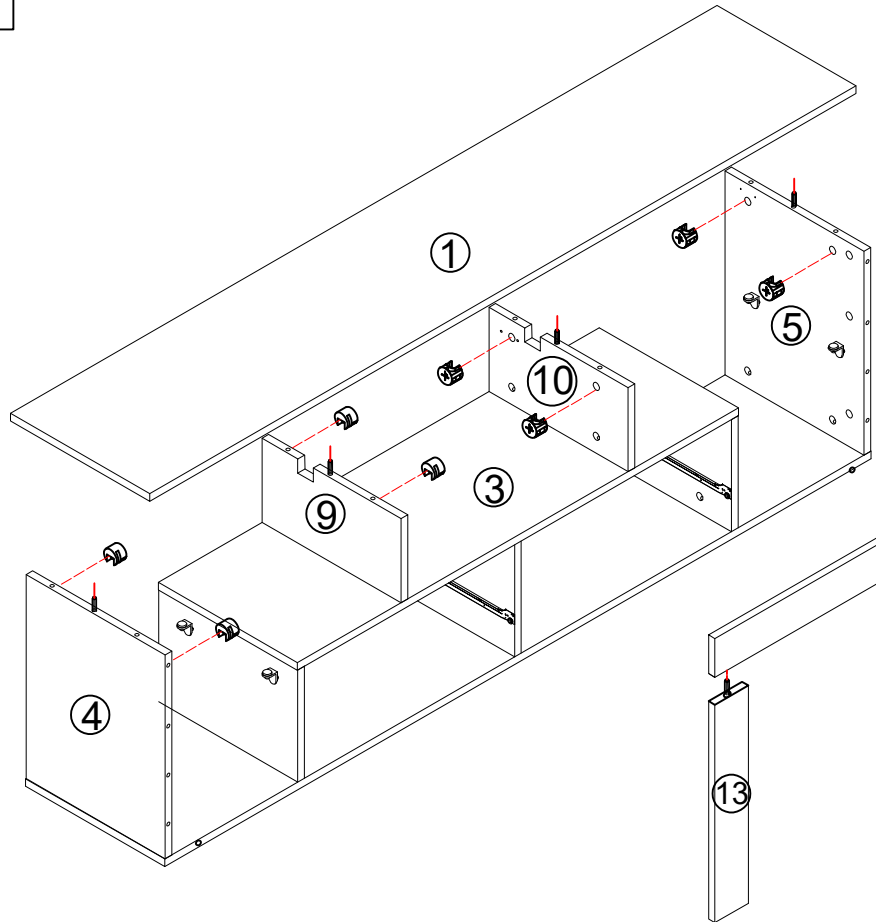


B*8



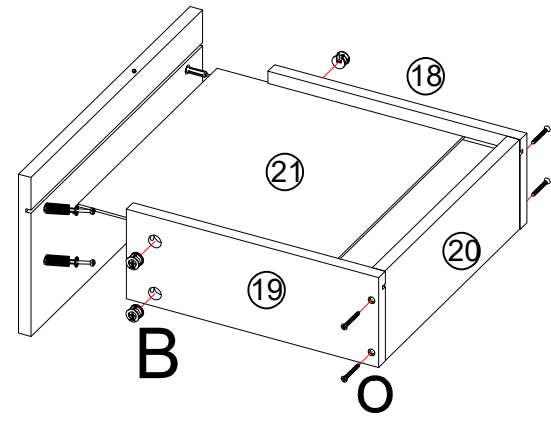
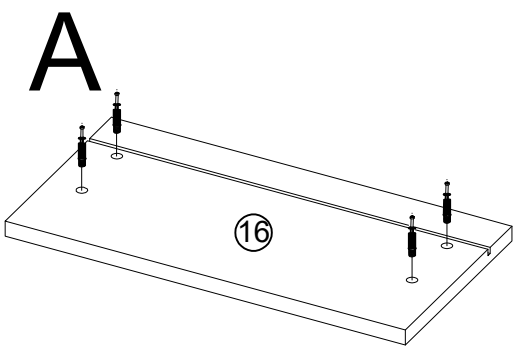
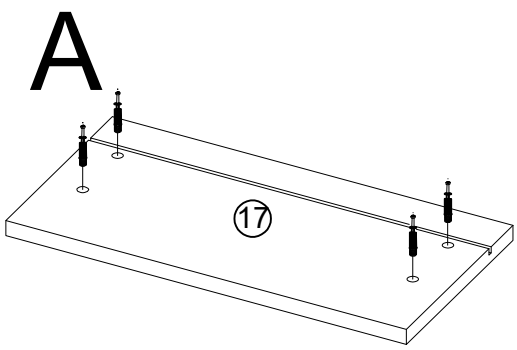
C*4

5

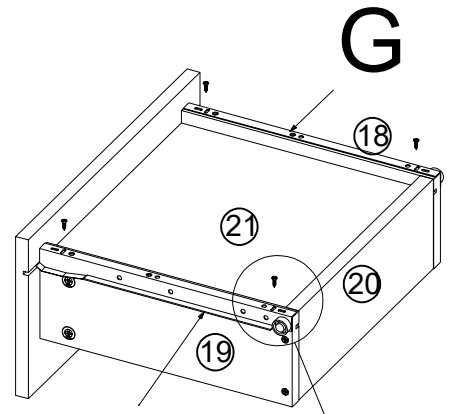


B*20

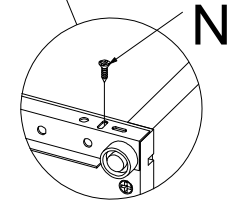
6



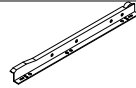
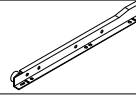

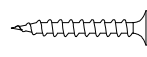


x2

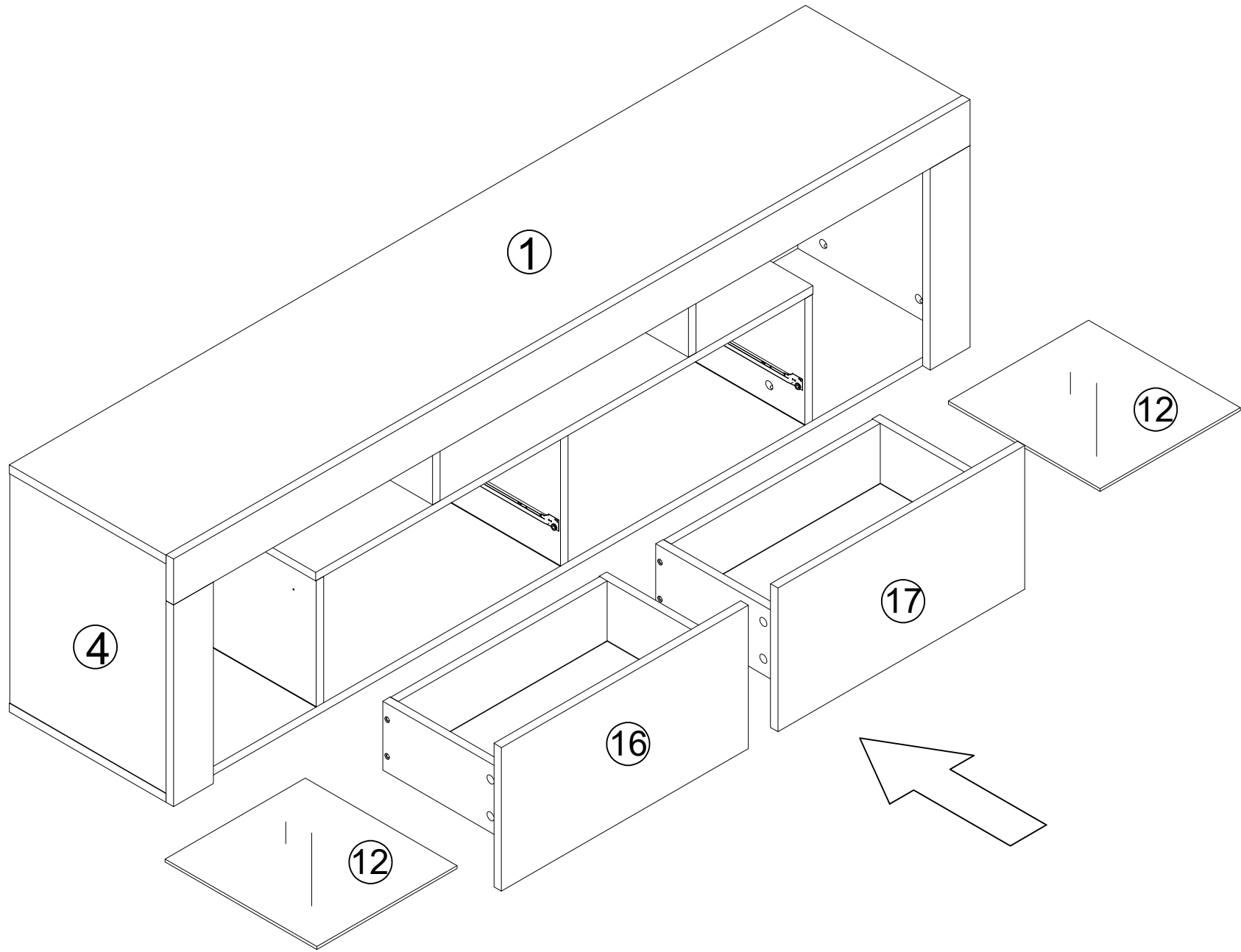


x2

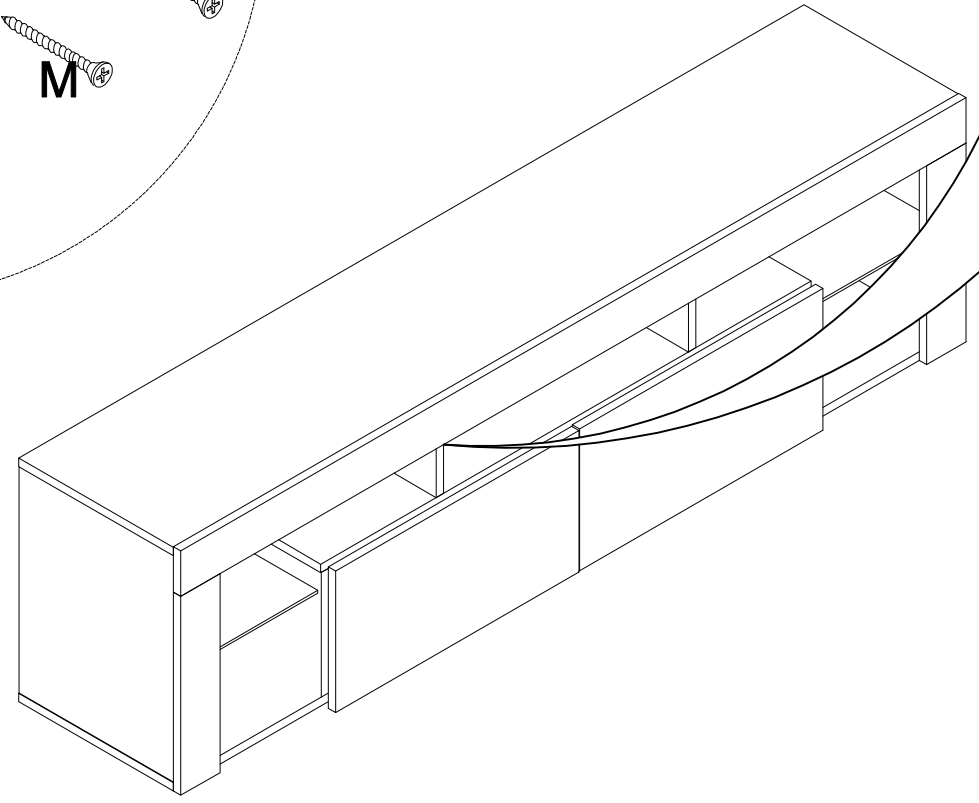
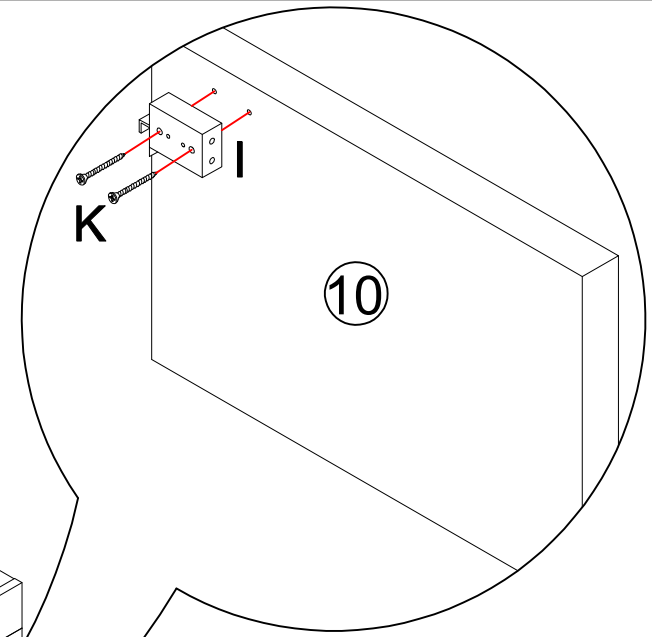
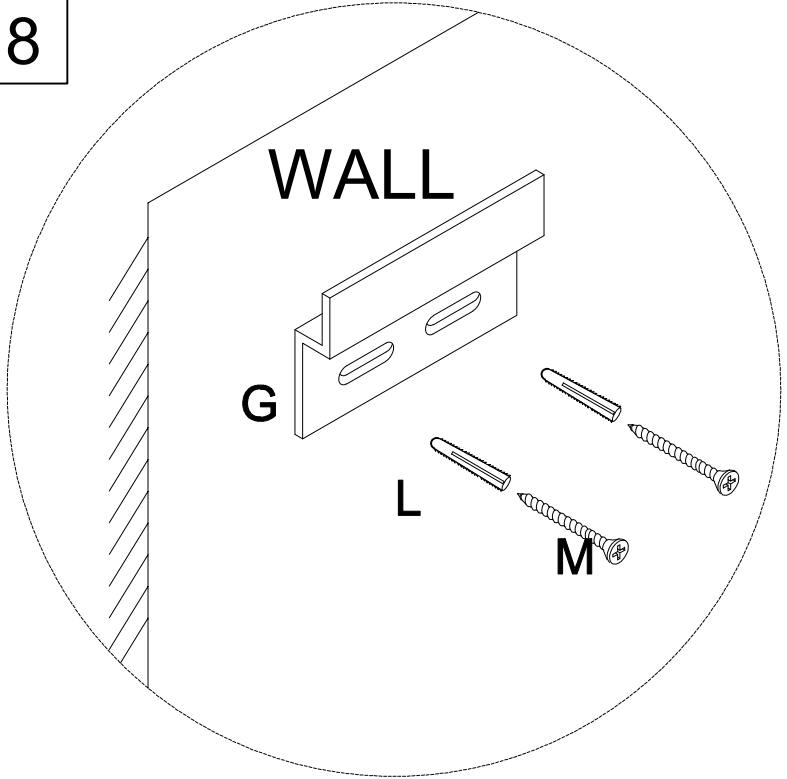


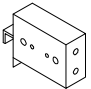
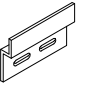


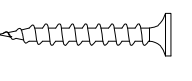
	A*8
	B*8
	F*2
	G*2
	N*8
	O*8

7



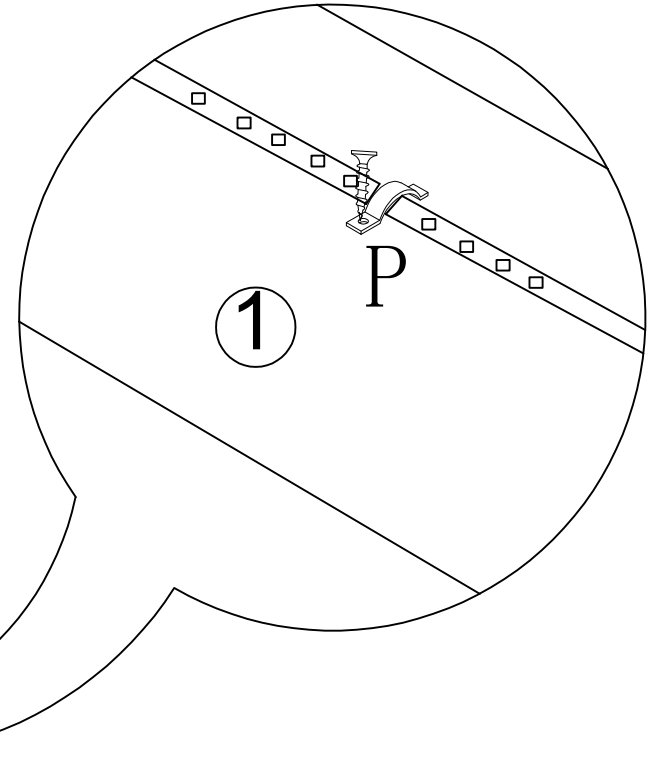
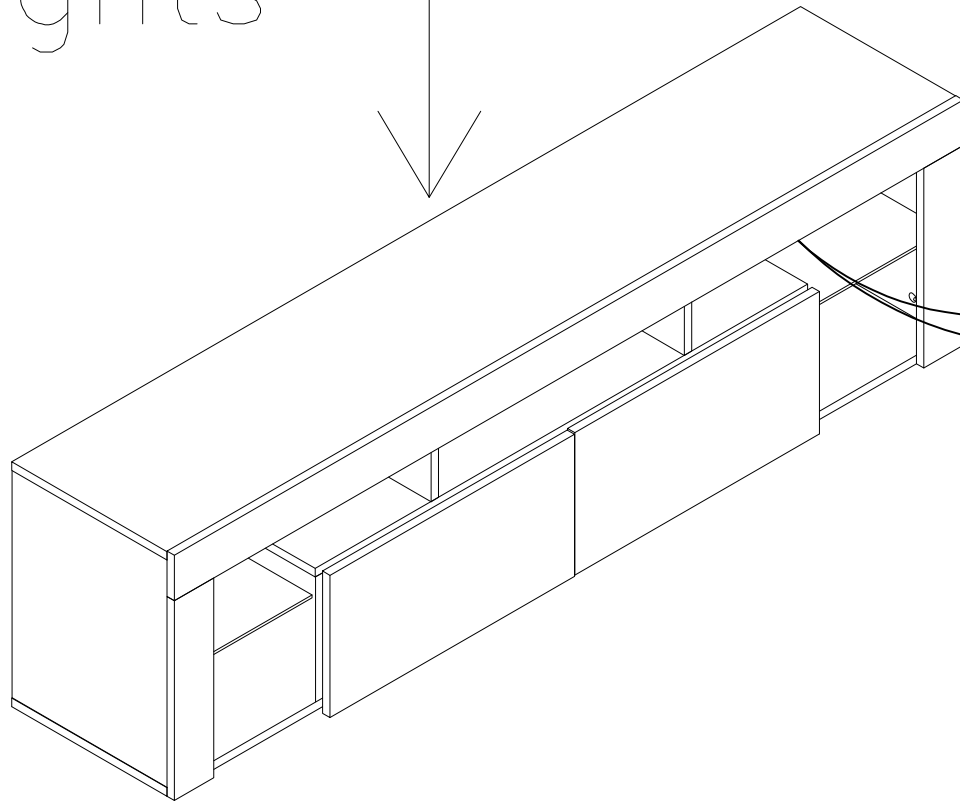
8



	I*4
	G*4
	K*8
	L*8
	M*8

9

The following
installation LED
lights



P*10

LED Light

If you can't let the lights work successfully, please check the following:

1. Please check the direction of the connect, try it in the opposite direction, according to the following picture.
2. Please check the remote control, it need you to tear down the plastic septum before use it.
3. Don't let the remote control too far from the receiver, make sure there is no obstruction between them.

