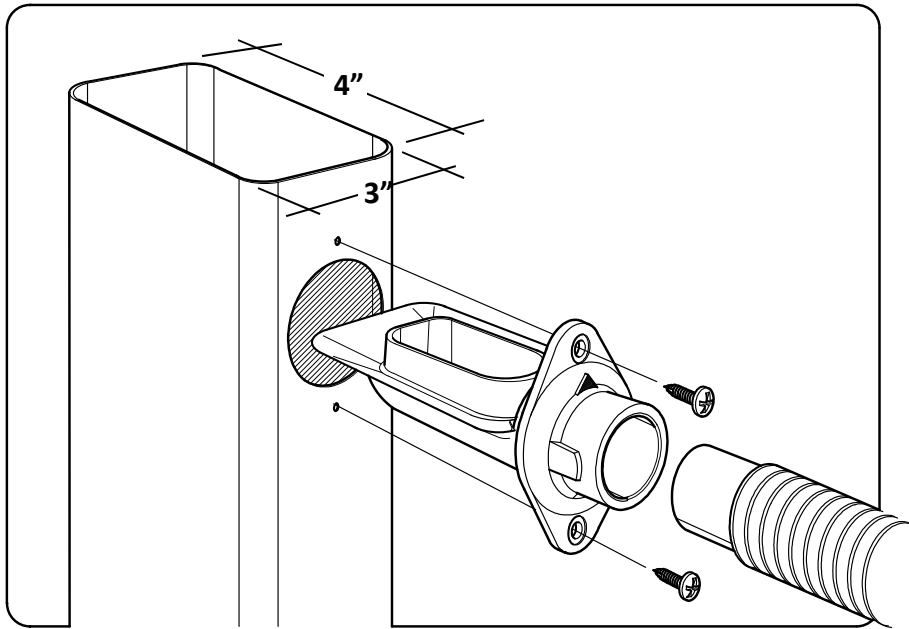


### ADDENDUM FOR 3 X4" DOWNSPOUTS

This kit is packed with a diverter for use with 3"x 4" downspouts only. Follow the directions in the user guide with the following exception:

IMPORTANT- THE HOLE MUST BE DRILLED ON THE NARROW, 3" SIDE OF THE DOWNSPOUT FOR THIS DIVERTER.



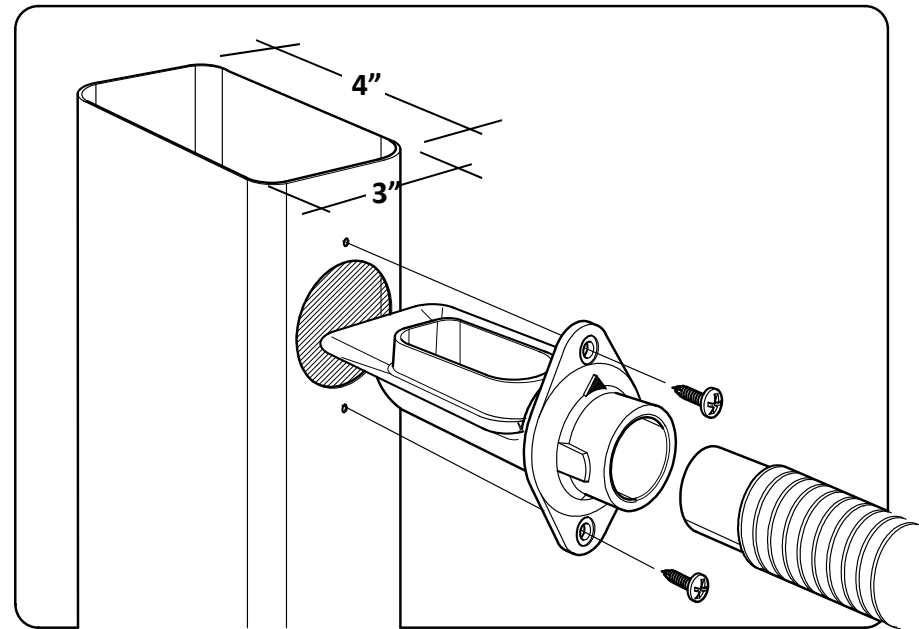
Be sure to remove the diverter regularly to clear leaves and debris that can collect above in the downspout.

Please contact us at [rainstation.support@earthmined.com](mailto:rainstation.support@earthmined.com) if you need a 2x3" or round downspout diverter or have questions

### ADDENDUM FOR 3X4" DOWNSPOUTS

This kit is packed with a diverter for use with 3"x 4" downspouts only. Follow the directions in the user guide with the following exception:

IMPORTANT- THE HOLE MUST BE DRILLED ON THE NARROW, 3" SIDE OF THE DOWNSPOUT FOR THIS DIVERTER.



Be sure to remove the diverter regularly to clear leaves and debris that can collect above in the downspout.

Please contact us at [rainstation.support@earthmined.com](mailto:rainstation.support@earthmined.com) if you need a 2x3" or round downspout diverter or have questions